



LockNLoad Track Mounting Kit[®]

LNL Track Ford Ranger GEN1&GEN2 / Mazda BT-50 GEN2 DC
TRACK MOUNT HEAVY DUTY ROOF RACK SYSTEM

MAXIMUM PRODUCT LOAD RATING: 100 kg

IMPORTANT:

- **LOAD = WEIGHT OF PLATFORM or BARS + MOUNTING SYSTEM + ACCESSORIES + CARGO**
- **PLEASE REFER TO VEHICLE MANUFACTURER SPECIFICATIONS FOR MAX ROOF LOAD CAPACITY OF VEHICLE. THE LOWEST LOAD RATING APPLIES.**
- **OFFROAD RATING: SCAN QR CODE FOR LOCKNLOAD LOAD RATING GUIDE. REDUCTIONS MAY APPLY.**



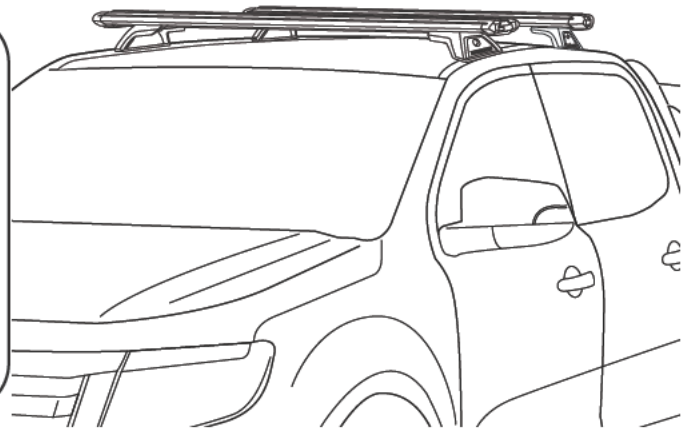
FIRST TIME INSTALLATION

- Please read instructions carefully before installation.
- Check the contents of kit. Each spine has the last four digits of the kit's part number lasered in. Contact your YAKIMA dealer if any parts appear missing, incorrect or damaged.
- Clean your roof thoroughly prior to fitting the LockNLoad RuggedLine.
- Place these instructions in the vehicle's glove box after installation is complete.



TOOLS REQUIRED:

- Pencil
- Tape Measure
- Masking Tape
- Rivet Gun
- Drill Bit Stop
- Scissors
- Knife
- Mastic Silicone Sealant
- #2 Phillips Head Screwdriver
- Zinc Rich Cold Galvanising Coating
- Vacuum Cleaner
- 10 mm Open Ended Spanner
- 13 mm Socket or Spanner
- Thick Cardboard Strips
- Power or Cordless Drill
- Rubber Mallet (Optional)

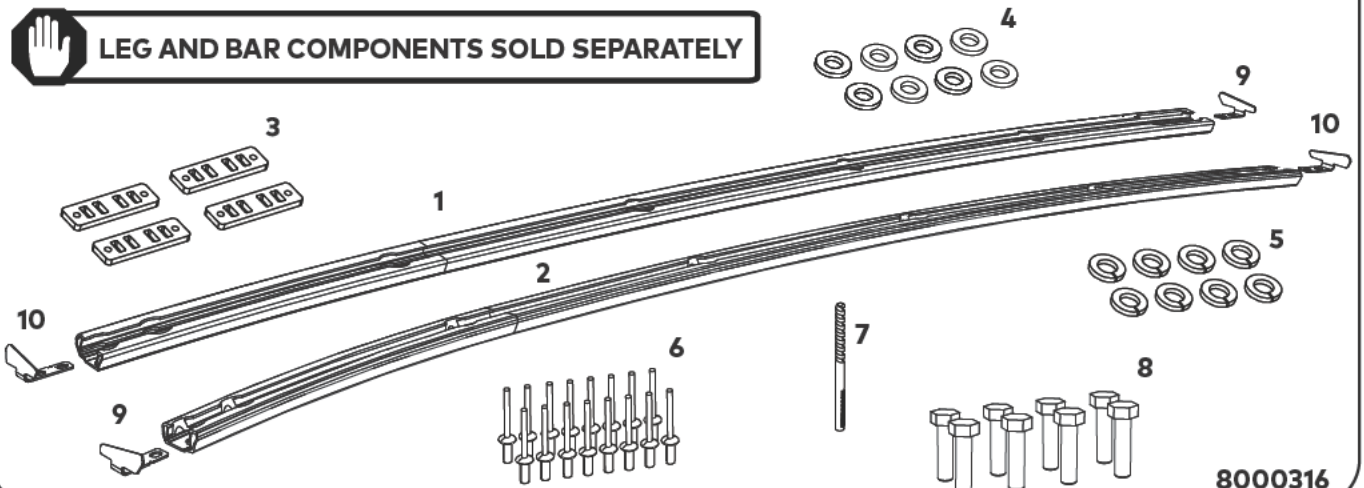


KIT CONTENTS

ITEM	COMPONENT	QTY	ITEM	COMPONENT	QTY
1.	Track Ranger/BT-50 Right Hand Side	x1	6.	Rivet	x16
2.	Track Ranger/BT-50 Left Hand Side	x1	7.	4.9 mm Drill Bit	x1
3.	Track Nut Plate	x4	8.	M6 Hex Screw	x8
4.	M6 Washer	x8	9.	Track End Cap Front Left & Rear Right	x2
5.	M6 Spring Washer	x8	10.	Track End Cap Rear Left & Front Right	x2



LEG AND BAR COMPONENTS SOLD SEPARATELY

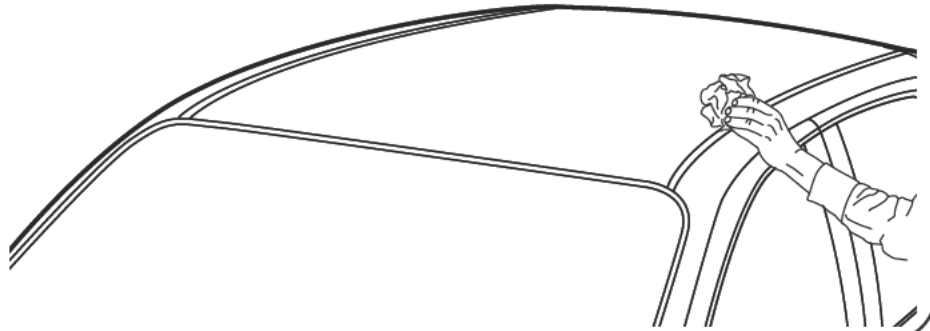


8000316

TRACK INSTALLATION

1 BEFORE BEGINNING INSTALLATION

Clean roof thoroughly and allow to dry before beginning installation.

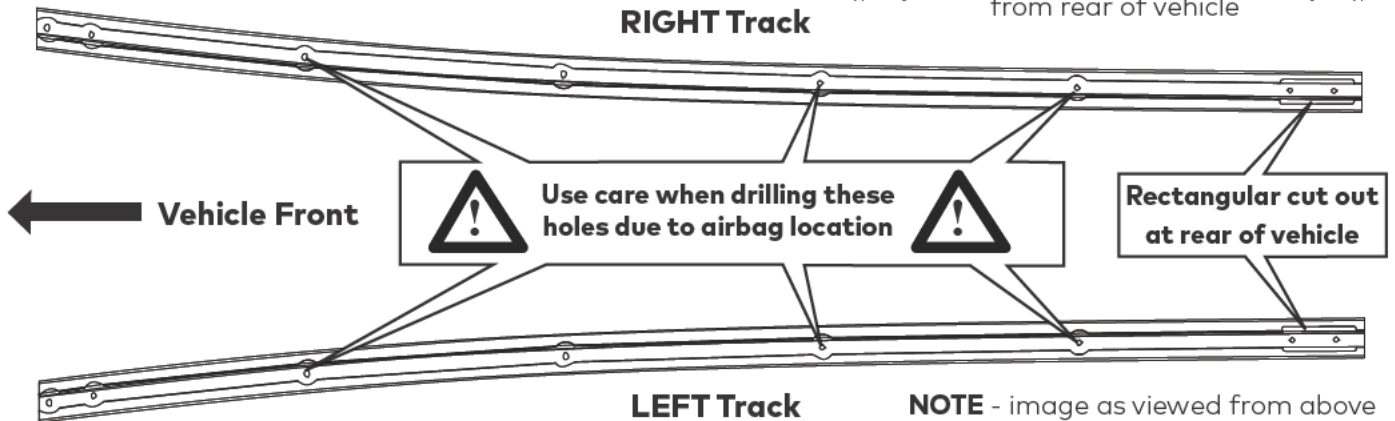
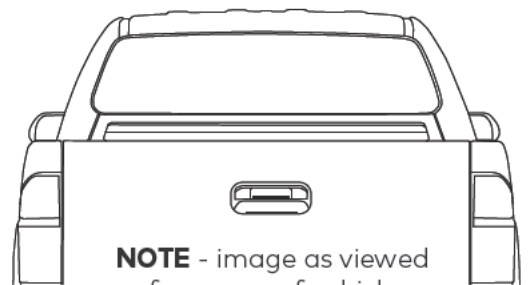


2 TRACK ORIENTATION

The long edge of Track faces **outside of vehicle** as shown, with rectangular cut outs at rear of vehicle.

It is recommended to install one Track at a time.

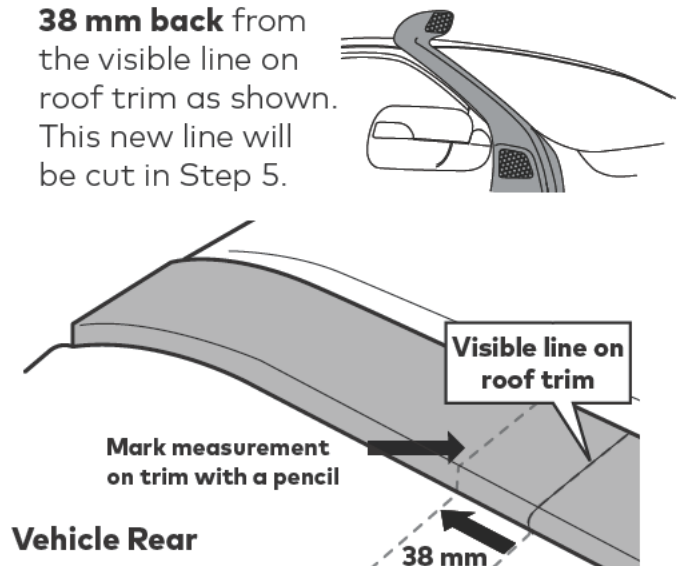
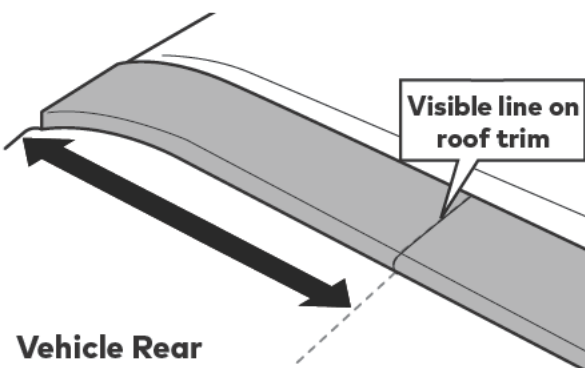
The help of an assistant is required to install Tracks.



3 REAR ROOF TRIM MEASUREMENT

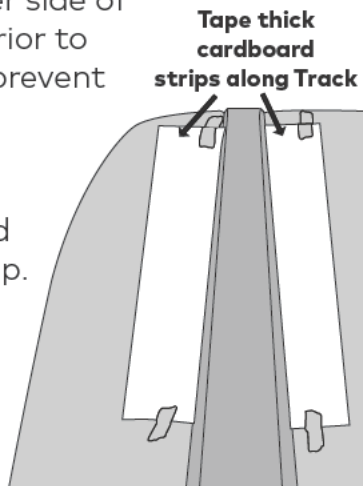
At the rear of the vehicle is a visible line on the roof trim. This line will be cut in Step 5.

If you have a factory snorkel fitted, measure and mark **38 mm back** from the visible line on roof trim as shown. This new line will be cut in Step 5.



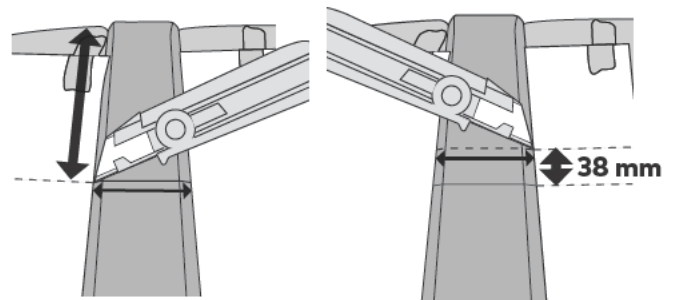
4 PROTECT ROOF TRIM

Place thick Cardboard Strips either side of roof trim prior to cutting to prevent accidental scratching of the roof body should the knife slip.



5 CUT REAR ROOF TRIM

Using a knife, precisely cut the width of the rear section of roof trim as determined from Step 3.



Without Factory Snorkel

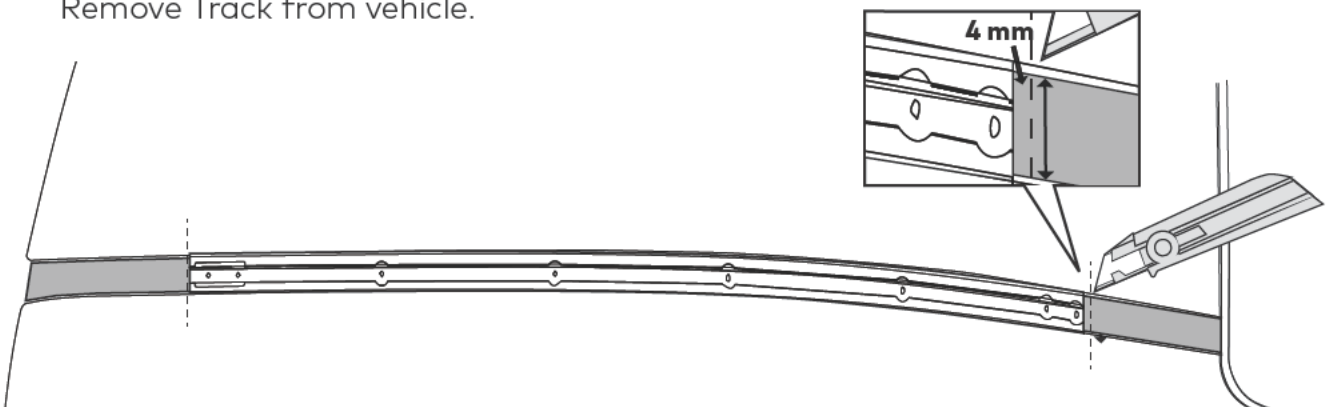
With Factory Snorkel

6 CUT FRONT ROOF TRIM

Place Track on top of roof trim, positioning the end of track on rear trim cut line. Measure and cut front roof trim 4 mm from front end of Track.

An additional 2 mm either end is required to fit the Track End Caps.

Remove Track from vehicle.

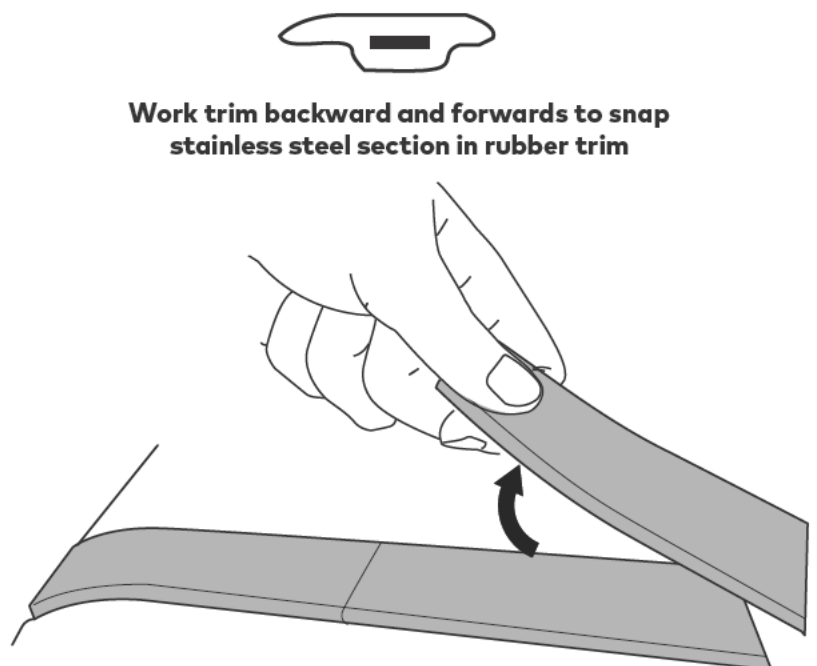


7 PEEL BACK ROOF TRIM

Using your fingers, carefully peel back the cut section of roof trim until the double sided tape underneath trim releases.

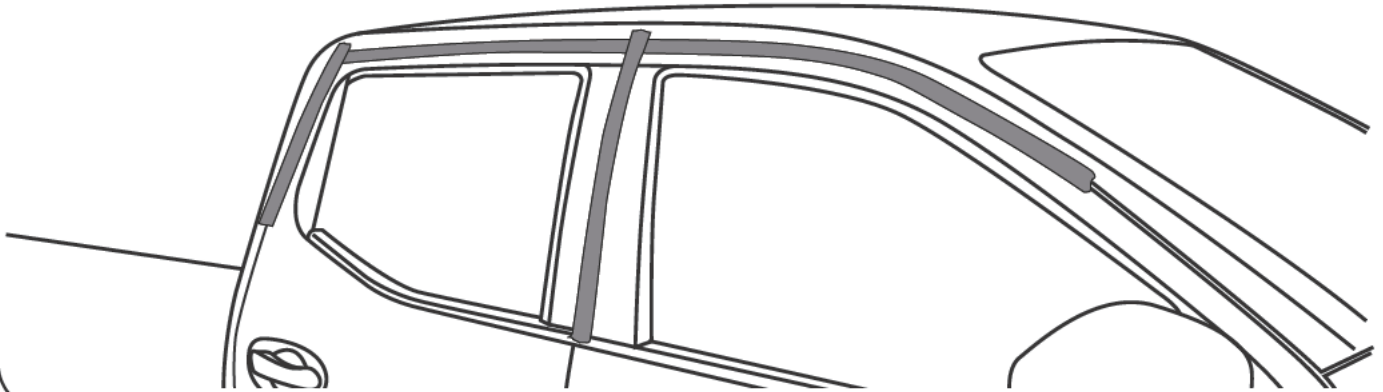
Continue to peel trim from roof until trim and double sided tape is off the vehicle.

It is important that any double sided tape still on vehicle is completely cleaned off before Track fitment.

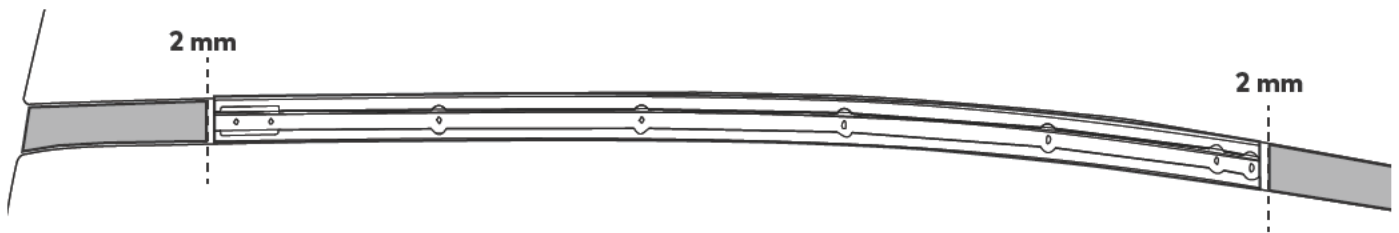


8**APPLY MASKING TAPE**

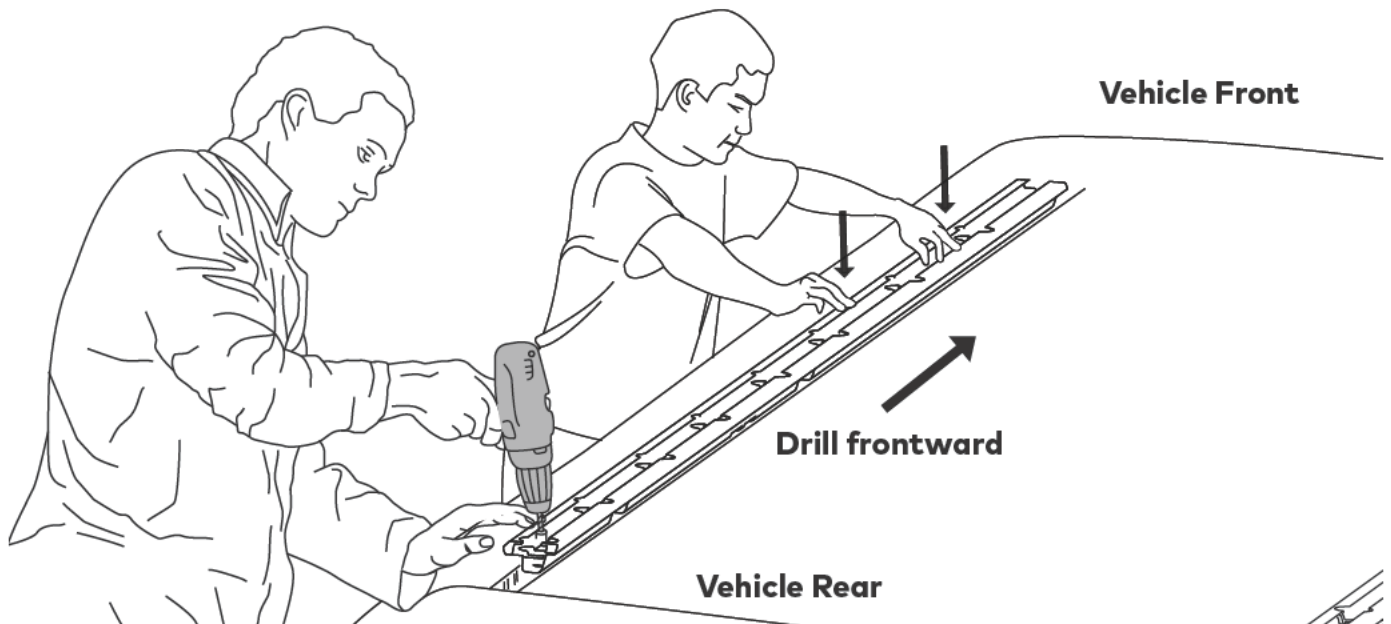
Apply lengths of Masking Tape along window and door seals. This prevents drill swarf from getting caught.

**9****ALIGN TRACK**

Place Track into roof channel, ensuring there is a 2 mm spacing from end of trim to Track both front and rear as shown.

**10****SPOT DRILL RIVET HOLES**

With the help of an assistant, hold track down firmly in roof channel. Using the supplied 4.9 mm Drill Bit, start spot drilling each rivet hole in the Track **from the rear of the vehicle working consecutively frontward. Ensure the Track does not move during this process by maintaining downward pressure on the Track.** Once complete, remove Track taking care not to scratch vehicle.



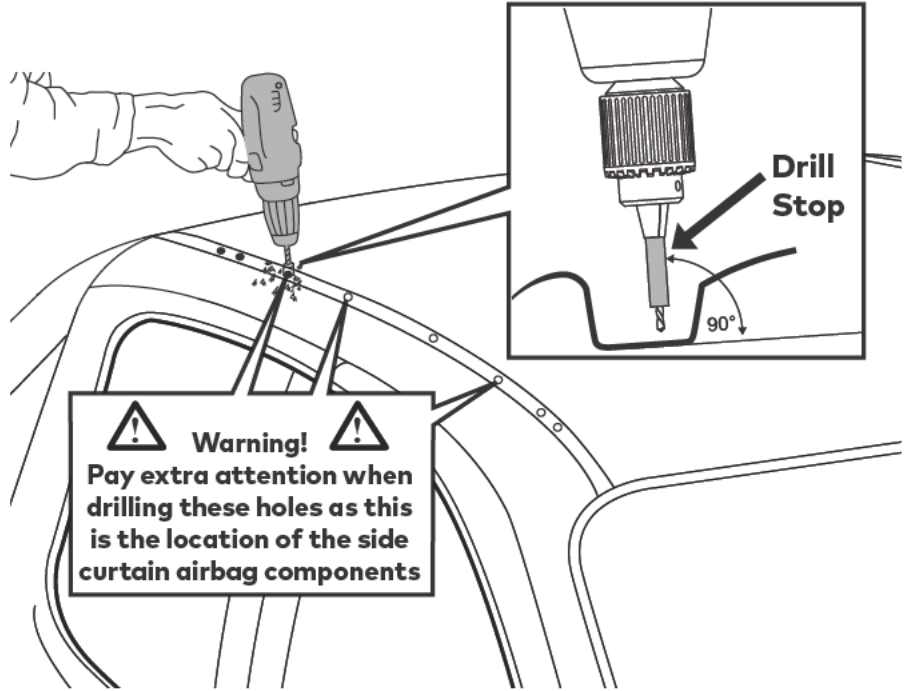
11**DRILL ROOF CHANNEL**

All rivet holes can now be carefully drilled through.

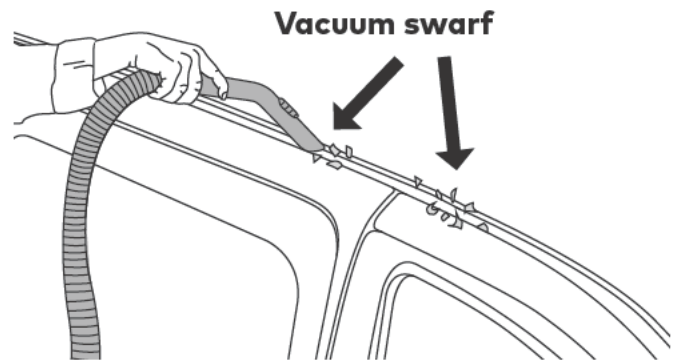
To avoid drilling into roof lining a drill stop must be used.

The roof skin is approx. 2-3 mm thick.

Ensure that a drilling angle perpendicular to the roof angle is maintained.

**12****REMOVE SWARF**

Avoid pushing swarf into the newly drilled holes by removing swarf from roof channel with a Vacuum Cleaner.

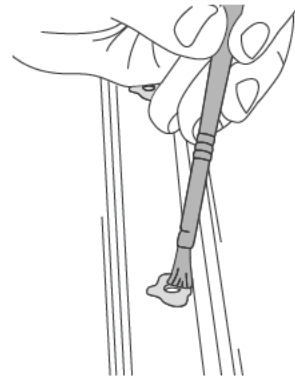
**13****APPLY PROTECTIVE SEALANTS****Stage 1**

Liberaly apply a Zinc Rich Cold Galvanising Solution to the inside surface and surrounds of each drilled hole.

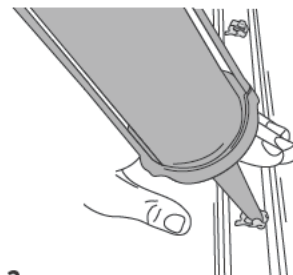
Allow solution to become touch dry before proceeding with Stage 2 (approx. 10 min depending on product used).

Stage 2

Liberaly apply a Mastic Silicone Sealant to the inside surface and surrounds of each hole.

**Stage 1**

Apply liberaly in and around holes. Allow to dry.

**Stage 2**

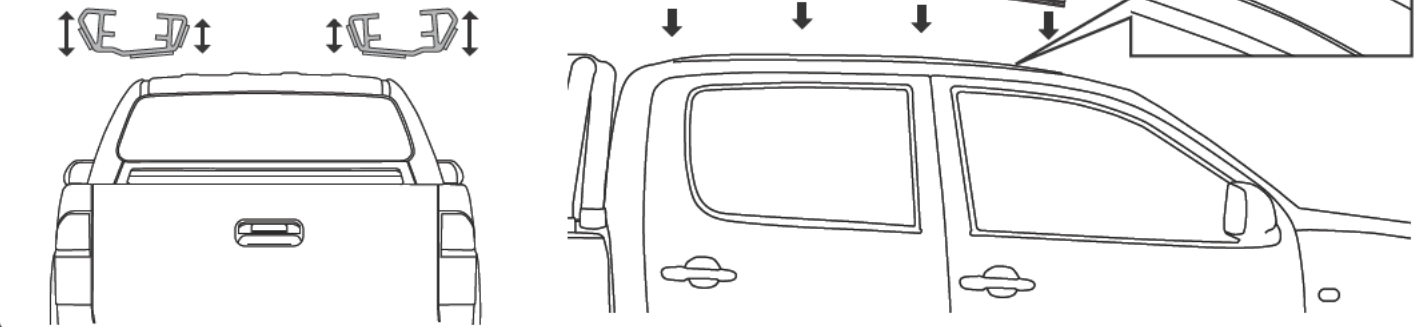
Apply liberaly in and around holes

14**PLACE TRACK BACK INTO ROOF CHANNEL**

Accurately place Tracks over drilled holes in roof channel, ensuring Track orientation is correct as shown, with rectangular cut outs at rear of vehicle.

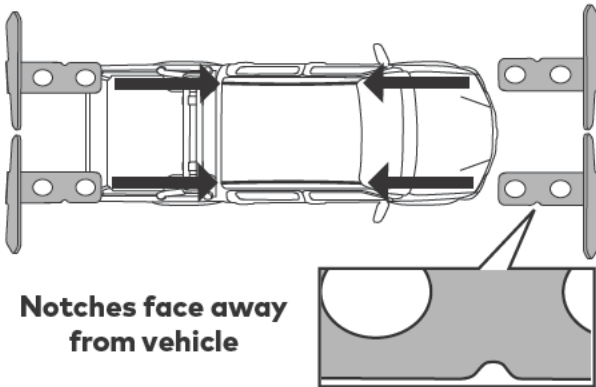
Long edge

Long edge

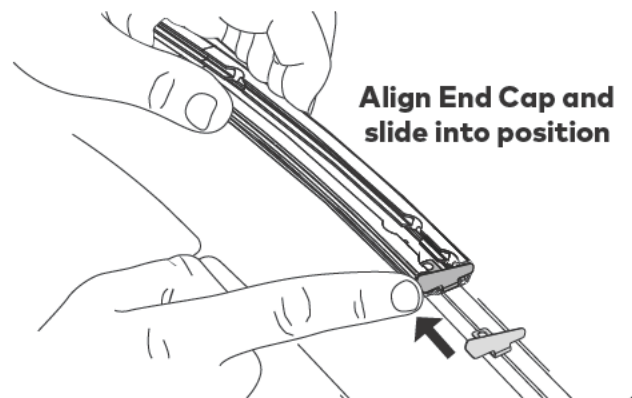
**15****END CAP FITMENT**

Assemble End Caps within Tracks as shown.

The notches on the side of End Cap base must face the outside of vehicle.



Notches face away from vehicle

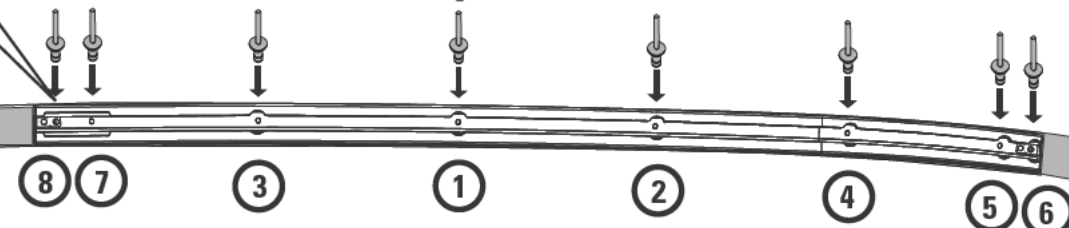
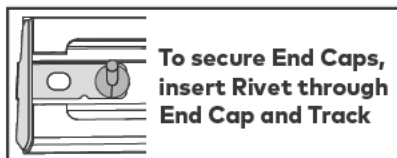


Align End Cap and slide into position

16**TRACK INSTALLATION**

Align Track and secure End Caps by inserting all Rivets in their respective holes through Track into roof channel.

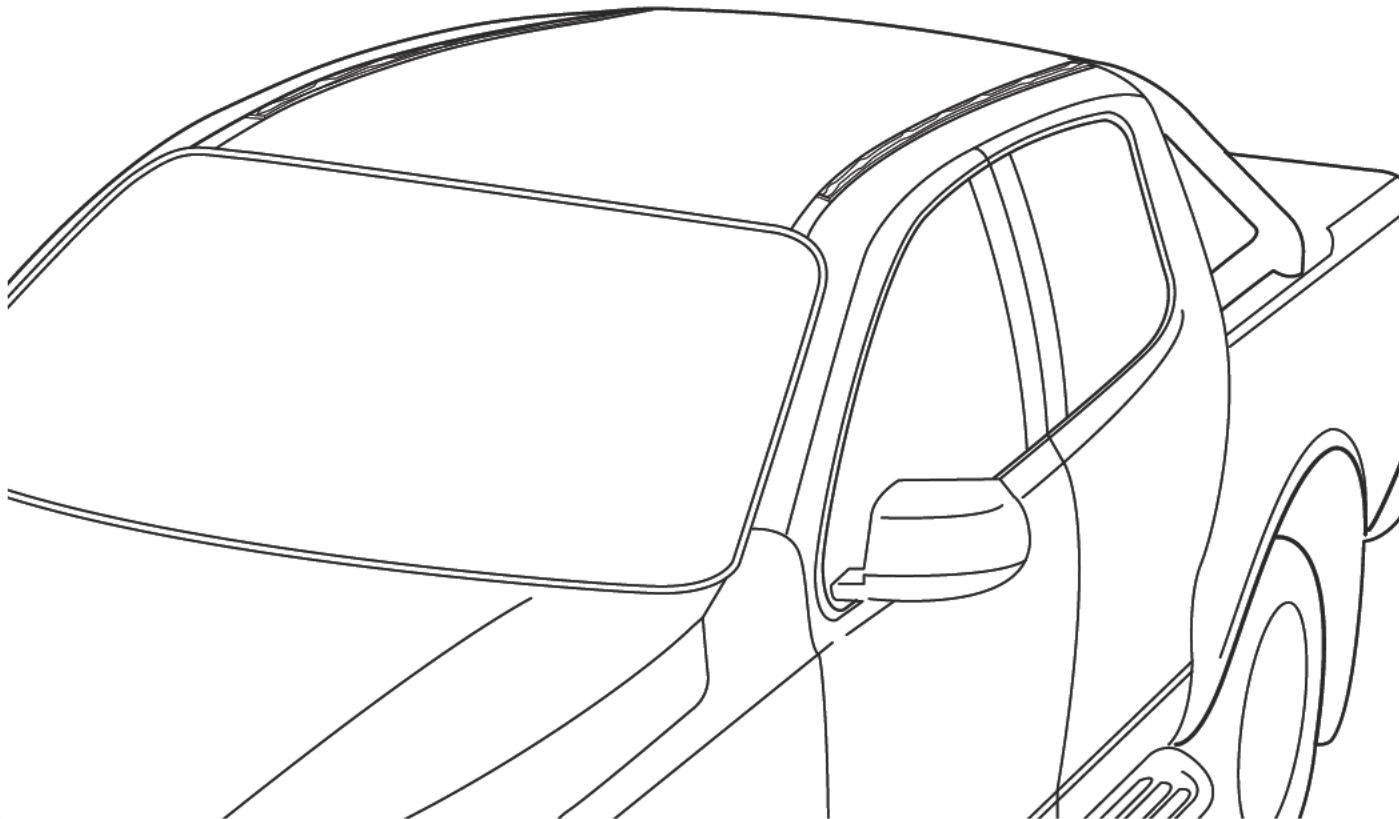
Using a Rivet Gun, punch each Rivet starting from the centre Rivet, then follow the numerical riveting order as shown.



17**TRACK INSTALLATION COMPLETE**

Check both Tracks are secured to the vehicle as per these installation instructions.

For assistance contact your local Yakima dealer.



IF INSTALLING LOCKNLOAD ROOF RACKS, CONTINUE ON TO STEP 18

IF INSTALLING A LOCKNLOAD PLATFORM, SWITCH TO YOUR PLATFORM INSTRUCTIONS

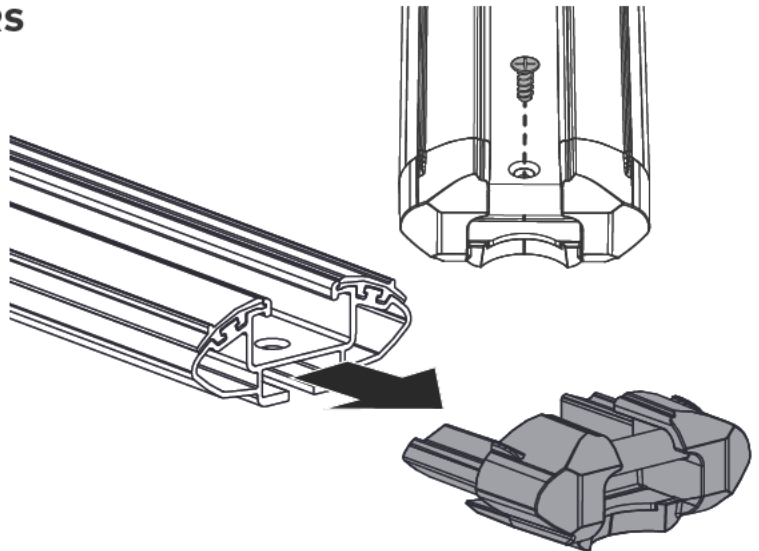
BAR INSTALLATION

18

REMOVE END CAPS FROM BARS

From the LockNLoad Bar Kit (sold separately), remove Plastite Screw from each Bar end using a #2 Phillips Head Screwdriver and pull out End Caps from Bars.

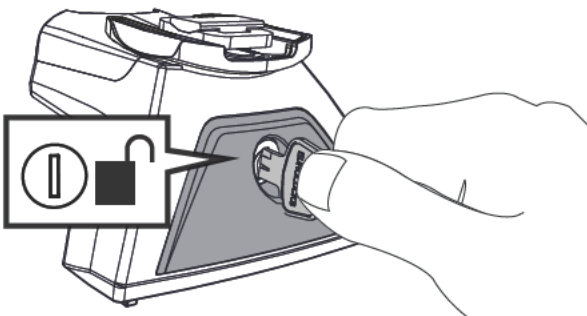
Keep all parts aside for later installation.



19

REMOVE LEG COVERS

Using the keys supplied in the LockNLoad Leg Kit (sold separately), remove all Leg Covers.

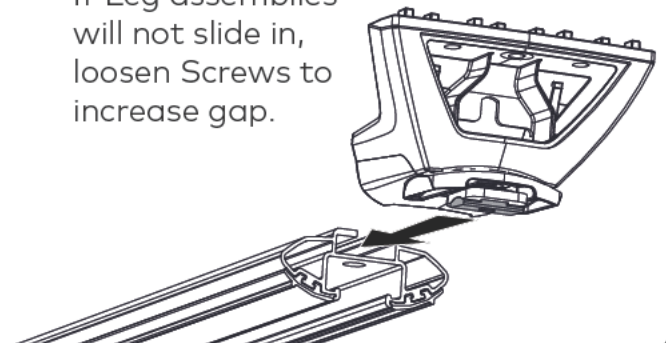


20

INSERT LEGS

Slide the pre-assembled Leg assemblies into the underside channel of LockNLoad Bars.

If Leg assemblies will not slide in, loosen Screws to increase gap.

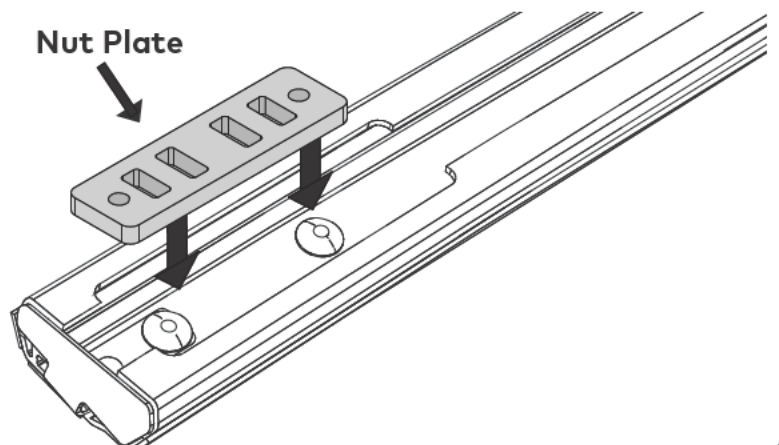
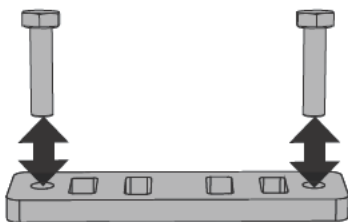


21

INSERT NUT PLATES

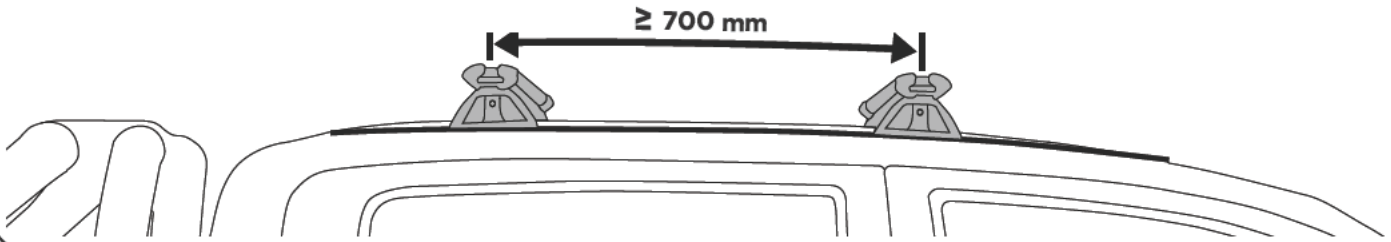
Run all M6 Hex Screws through Nut Plates to remove burrs.

Insert two (2) Nut Plates into each Track as shown.

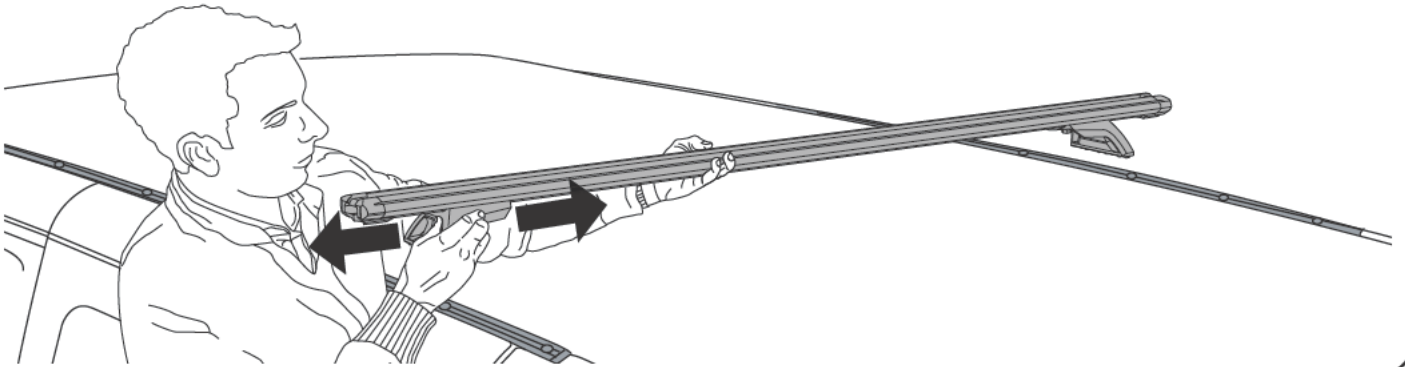


22**BAR LOCATION**

IMPORTANT: Before beginning Bar installation, identify where along the Track you want the Front and Rear Bars fitted.
We recommend a minimum of 700 mm between Bars.

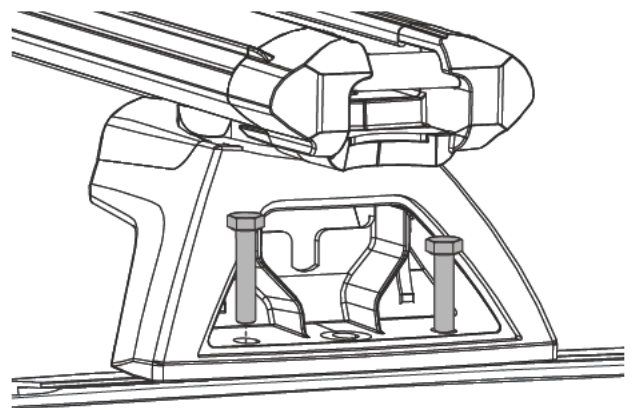
**23****BAR PLACEMENT**

Carefully place front Bar assembly over Nut Plates, ensuring spacing is correct as shown in the previous Step. **Take care not to damage vehicle.** Position Legs along Bar until both legs are securely positioned on Nut Plates within Track.

**24****SECURE BAR ASSEMBLY TO TRACKS**

From the LockNLoad Track Kit, insert 1 x M6 Hex Screw through the two outer holes on Legs into Nut Plate as shown.

Loosely secure Screws using a 5 mm ball end Allen Key.

**25****ADJUST BAR OVER HANG**

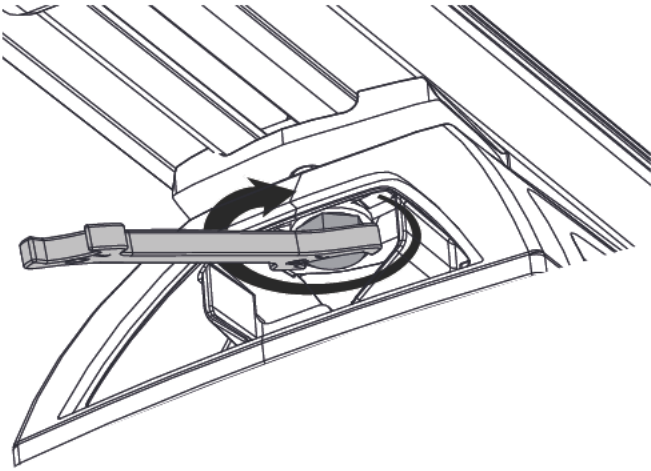
Use a Tape Measure to ensure even Bar overhang on each side, re-adjust if required by sliding bar along legs.



NOTE - Bars require individual adjustment due to tapered roof. Bars must be installed perpendicular to Tracks.

26**SECURE LEGS TO BARS**

Tighten all M8 Set Screws to 9 Nm using a 13 mm Spanner.

**27****REPEAT AND REMOVE**

Repeat Steps 23 - 26 for remaining bar assembly.

Carefully remove all Bar and Leg assemblies from vehicle.

**28****CHECK BAR SLOT MEASUREMENTS**

Place Bars on flat surface with legs facing upwards, as shown. Take appropriate measures to avoid scratching the product and surface.

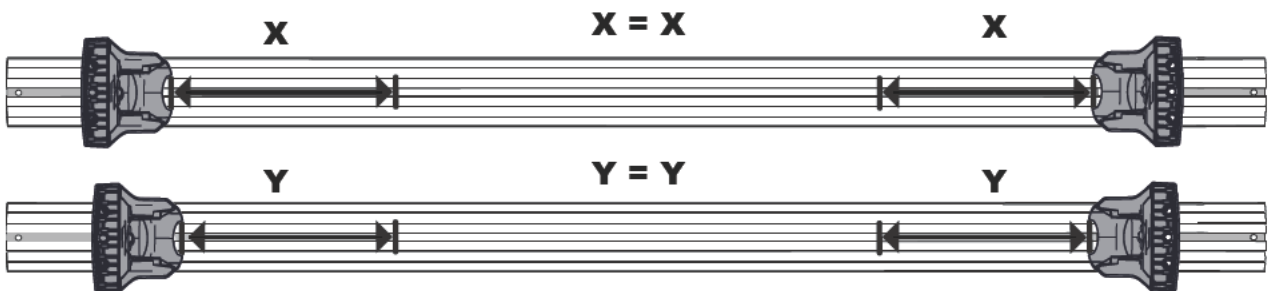
Identify slot on each Bar end. Using a Tape Measure, record Leg to underside slot distance of each bar in the table (right). Ensure measurement is taken from the centre of the Legs as shown.

BAR SLOT MEASUREMENTS**Bar 1 (X)**

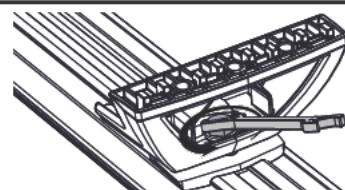
_____mm x2

Bar 2 (Y)

_____mm x2

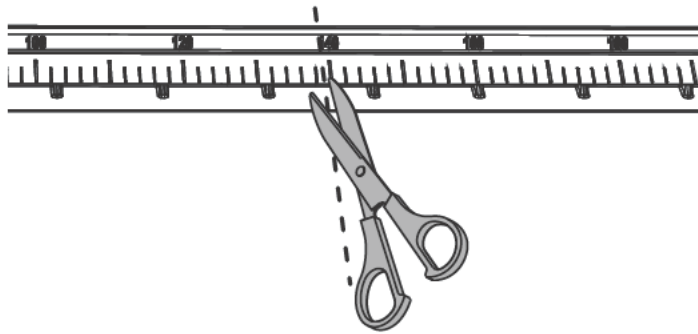


The ends of each bar should be the same measurement respectively, if not, loosen M8 Set Screws and repeat Steps 23-28.

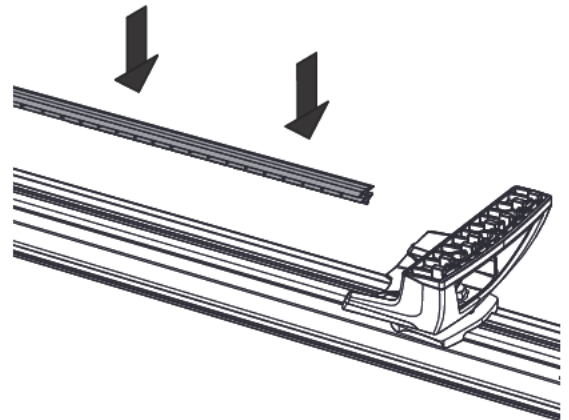


29**BAR SLOT COVERS (INSIDE LEG)**

From the LockNLoad Bar Kit, cut Bar Slot Covers as per measurements recorded in the previous Step and press into the underside channel of Bar ends as shown.

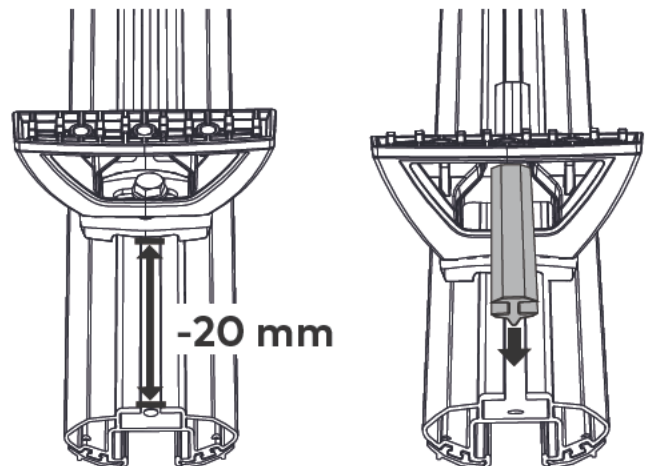


NOTE - Bar Slot Covers to be inserted with flat side visible

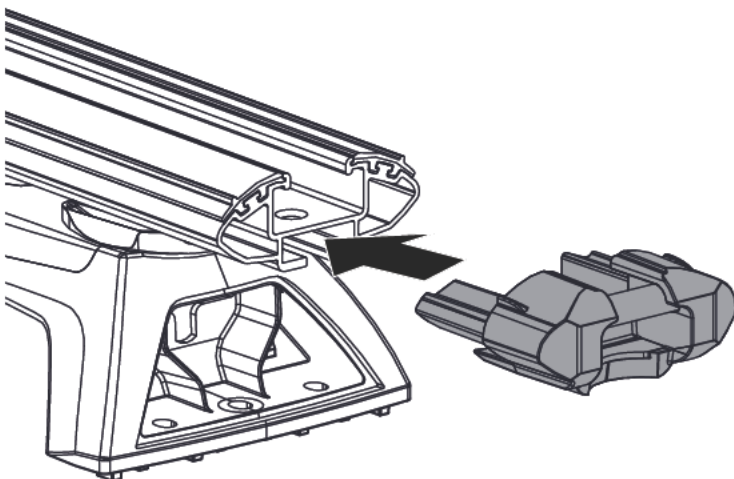
**30****BAR SLOT COVERS (OUTSIDE LEG)**

Measure the Bar channel outside of the Legs and subtract 20 mm from this measurement.

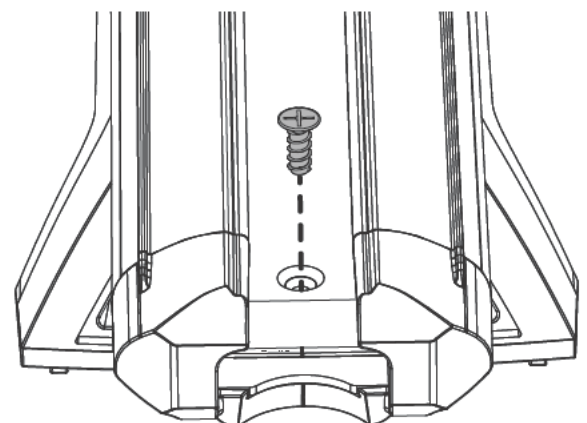
Using the remaining pieces of Slot Cover from the previous Step, cut to this length and press into the underside channel of each Bar end as shown.

**31****SECURE END CAPS TO BARS**

Insert the End Caps as shown. A Rubber Mallet can be used to assist installation.

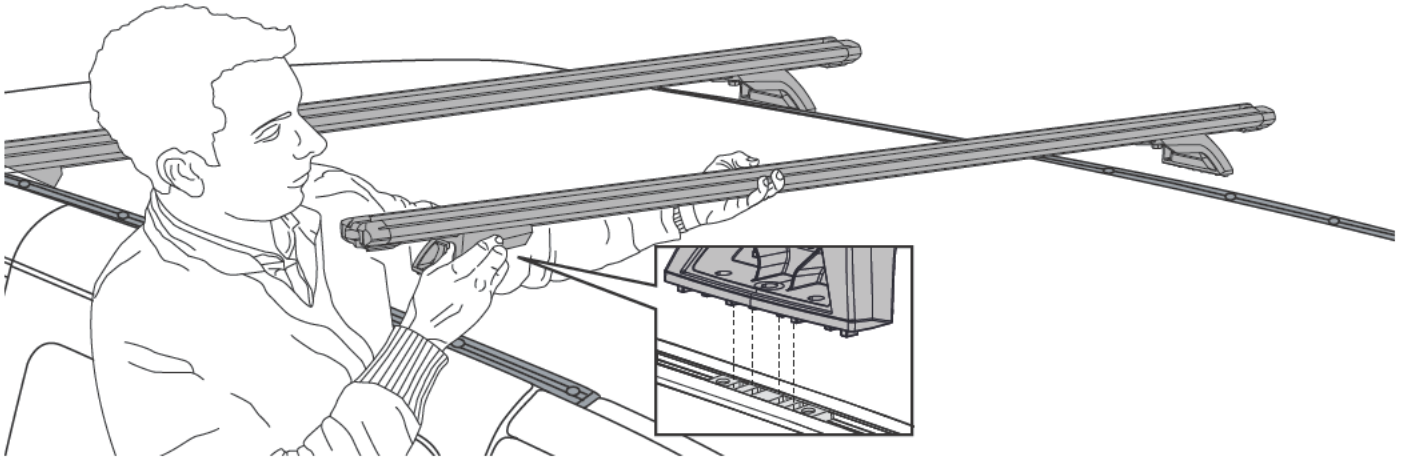
**32**

Secure using Plastite Screw (from LockNLoad Bar Kit). Tighten using a #2 Phillips Head Screwdriver.



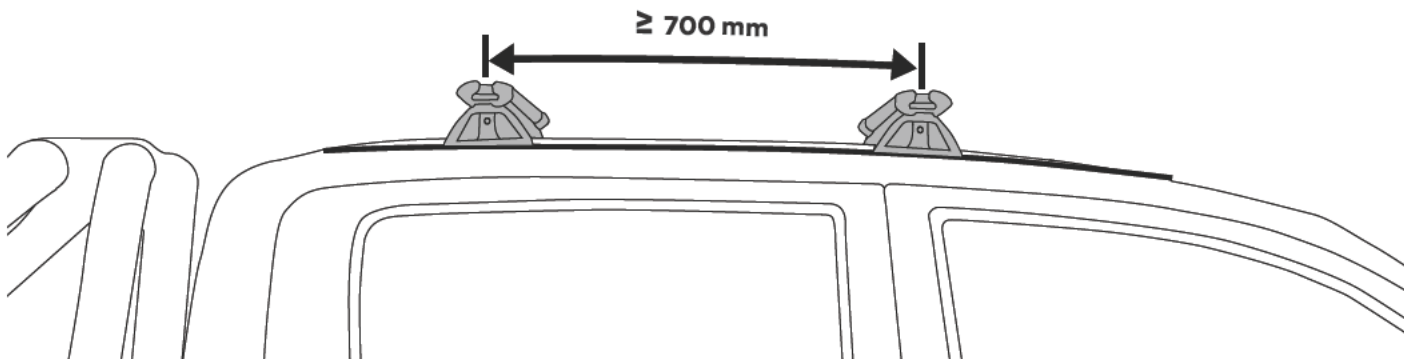
33**BAR FITMENT**

Slide Nut Plates in Track into position for Bar placement (it doesn't have to be exact). Place Bar assembly onto Tracks, carefully locating the four central raised notches on base of Legs into the cut outs on Nut Plates as shown. **Take care not to damage vehicle.** Repeat for remaining Bar.

**34**

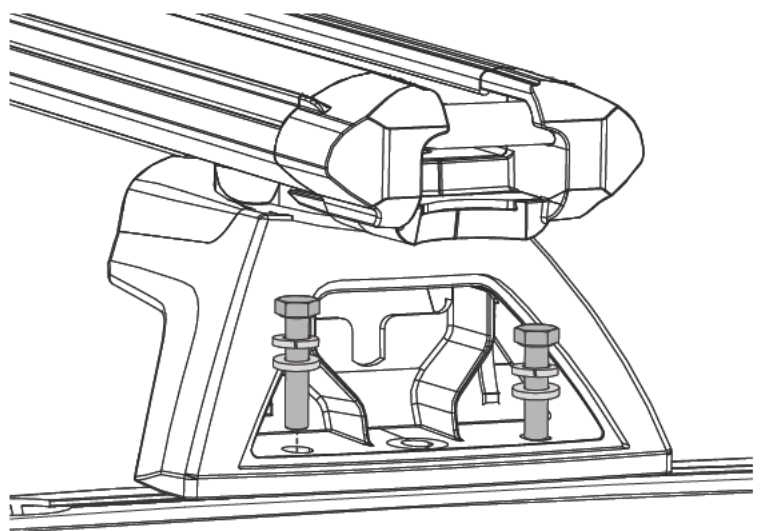
Position front and rear Bars along Tracks as required, ensuring there is a minimum distance of 700 mm between each Bar.

Measure from the centre of each Leg as shown.

**35****M6 HEX SCREW ASSEMBLY**

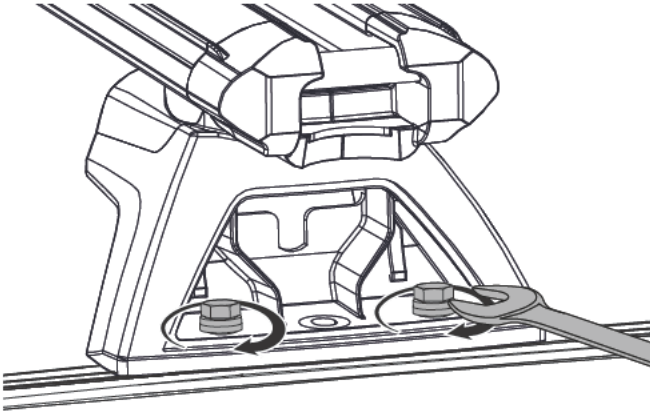
From the LockNLoad Track Kit, assemble 1 x M6 Spring Washer and 1 x M6 Washer onto each M6 Hex Screw.

Insert through the outer holes on Legs into Nut Plates as shown.

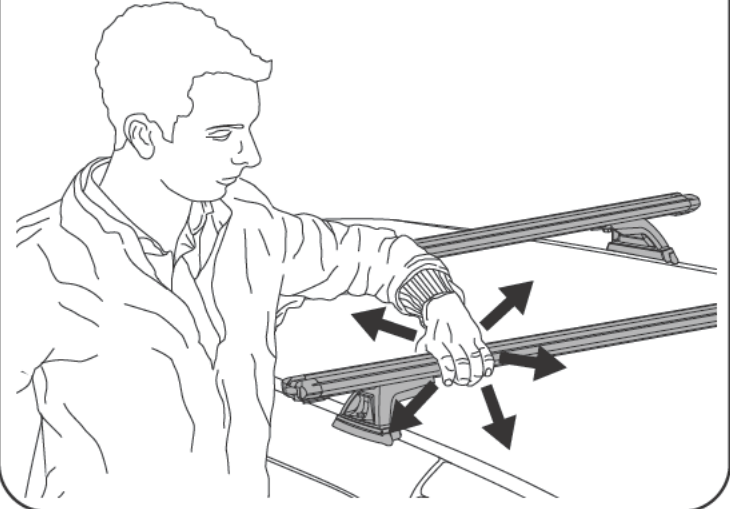


36**SECURE BARS TO TRACKS**

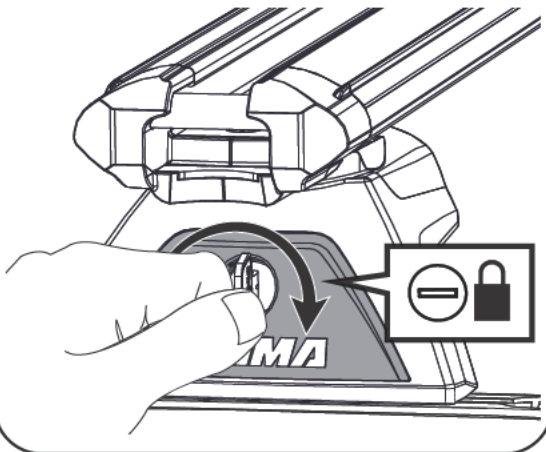
Tighten all M6 Hex Screws to 5 Nm using a 10 mm Open Ended Spanner. **Do not over tighten.**

**37****CHECK BAR LEGS ARE SECURE**

Check all Bar Legs are secure.

**38****FIT LEG COVERS**

Using the keys and Covers supplied in the LockNLoad Leg Kit, fit and lock all Leg Covers.

**39****BAR KEYS**

Place one key on the vehicle key ring and put the other away safely, or store with the spare vehicle key.

Write the key number (which is stamped on the key) in the box provided. Replacement keys are available from Yakima stockists, visit www.yakima.com.au or www.yakima.co.nz to find your nearest store or contact us directly on 1800 143 548 (AU) or 0800 4776 722 (NZ).

Key Number:



www.yakima.com.au
www.yakima.co.nz
www.yakima.com
www.yakima.eu

YAKIMA AUSTRALIA PTY LTD

17 Hinkler Court
Brendale, QLD 4500
Australia
1800 143 548
yakimaglobal.com

YAKIMA PRODUCTS, INC.

4101 Kruse Way
Lake Oswego, OR
97035-2541
USA
888 925 4621
yakima.com/support