

# 18U 4013

**Toyota ProAce, Peugeot Expert,  
Citroen Jumpy, Md. 2016  
Peugeot Traveller Md. 2019  
Opel Vivaro Md.2020**

EU-Personenschutzbügel 60 mm mit Querrohr 42 mm

EU-Pedestrian Protection Bar 60 mm with cross pipe 42mm

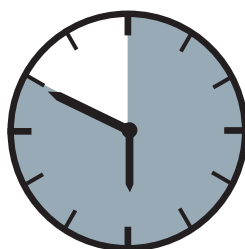
Protection avant, homologuée CEE, 60 mm, traverse 42mm



\*Compatible with Automatic Cruise Control /Forward Collision Mitigation  
Kompatibel mit Abstandsregeltempomat /Auffahrvermeidungs-oder warnsystem  
compatible avec radar de régulation de distance/ freinage autonome d'urgence

## **ASSEMBLY INSTRUCTION**

**Montageanleitung • Instructions de montage**



**50 Minuten**

article no.:  
18U4013 (S) inox  
18U5013 black steel

**Revision 6: 12.02.2020**



**ULLSTEIN  
CONCEPTS  
GMBH**

M6 (A2):  
8,8 Nm  
M8 (A2):  
21,4 Nm  
M8:  
25 Nm



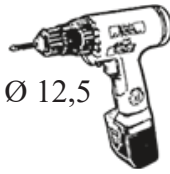
13



4



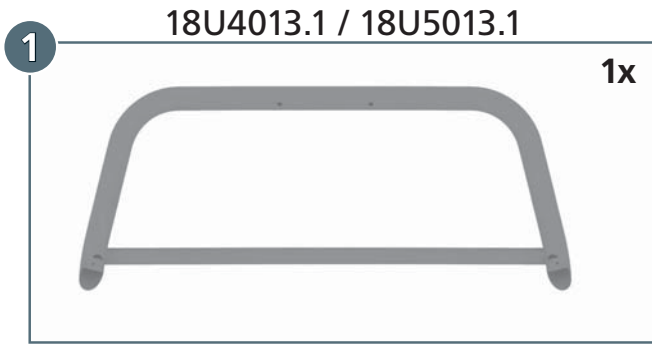
Ø 12,5



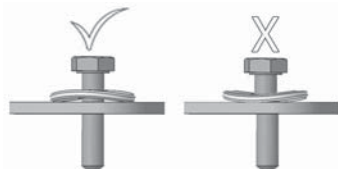
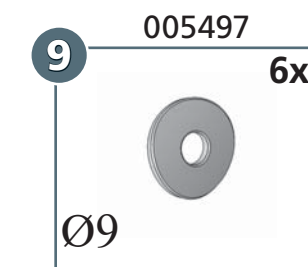
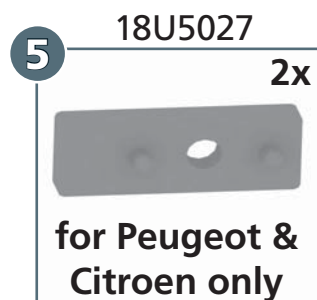
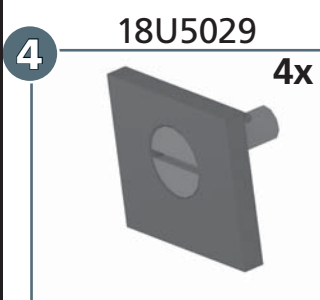
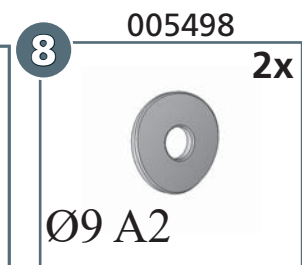
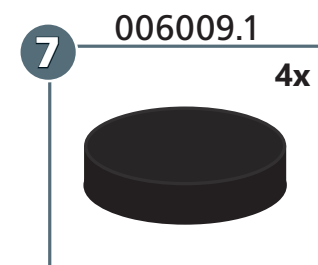
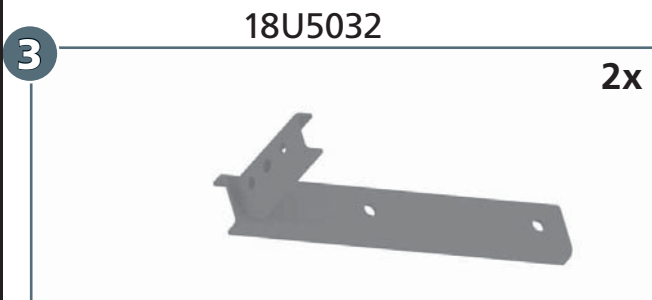
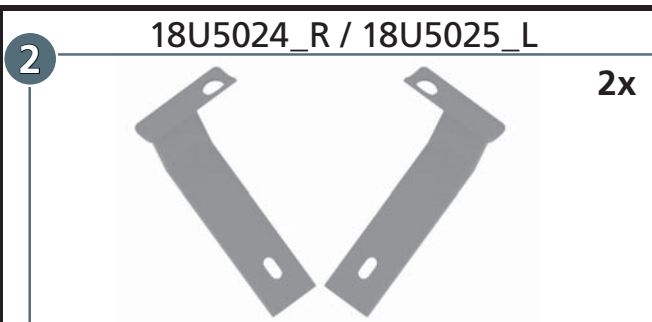
M6:  
2Nm



mounting kit: 18U9013



	M6x25; DIN 7991 A2	2x
	M8x25; DIN 933 A2	2x
	M8x30; DIN 933 Zn	2x
	M8; DIN 934 Zn	4x
	Getowell M6	2x
	SW 13	2x
	M6x25; DIN 7991 Zn	2x

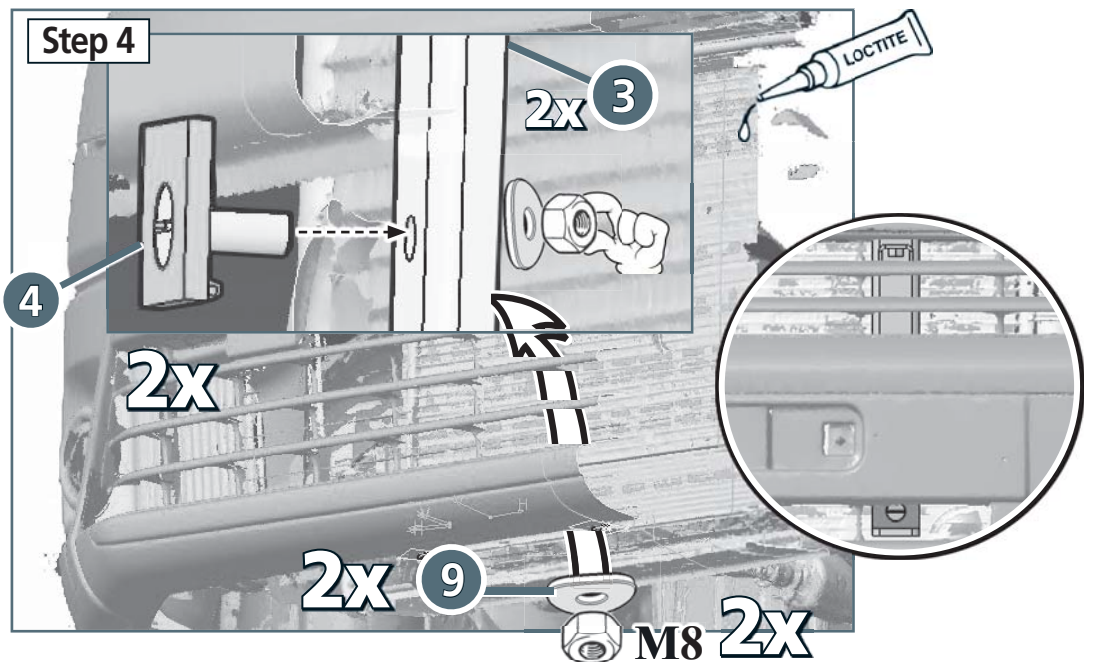
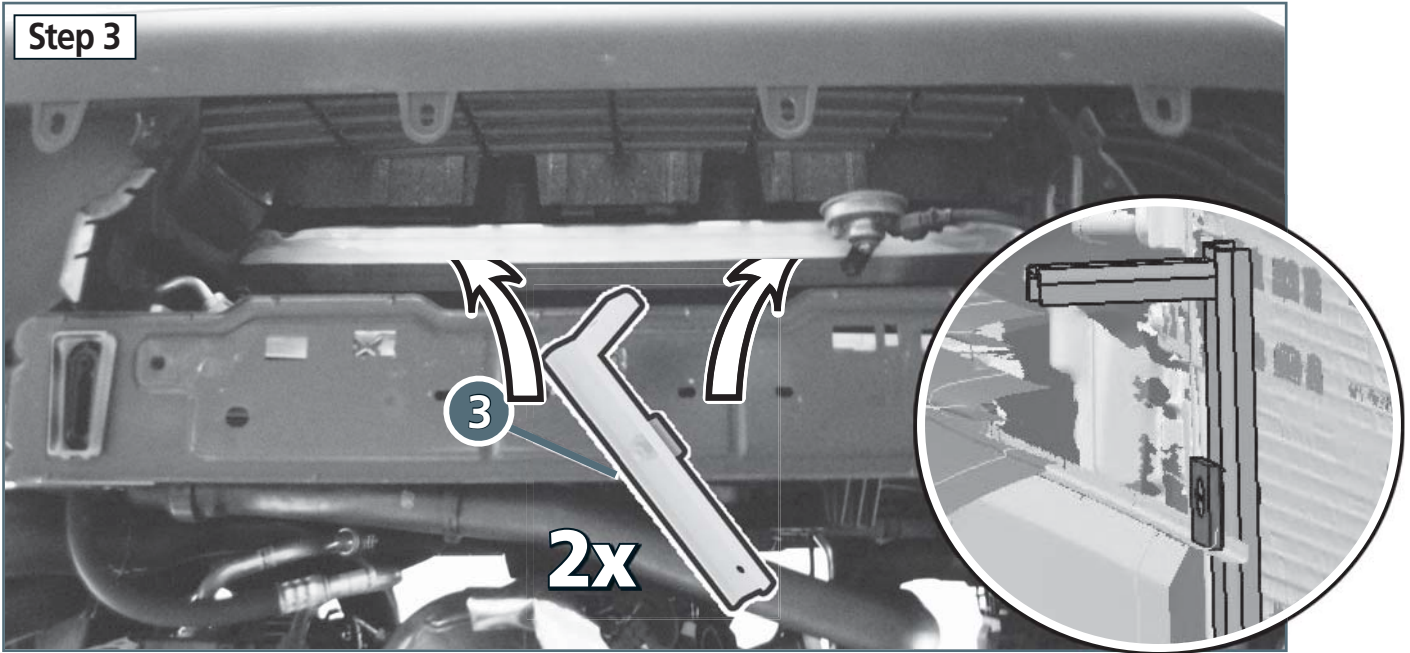
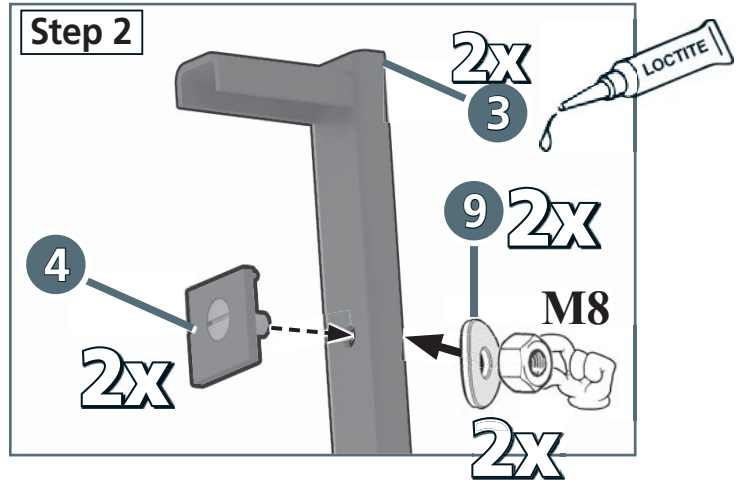
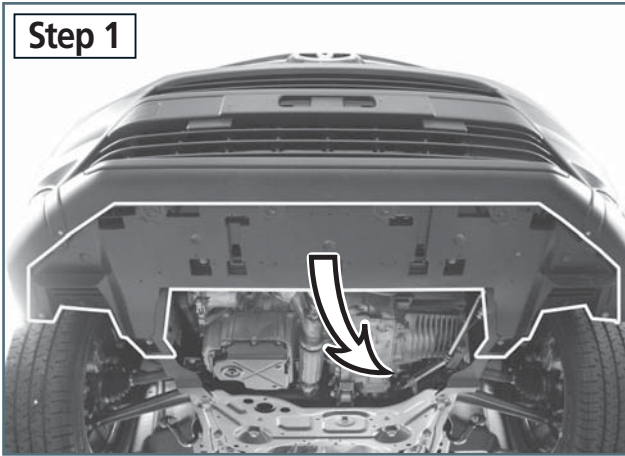


article no.:  
18U4013 (S) inox  
18U5013 black steel

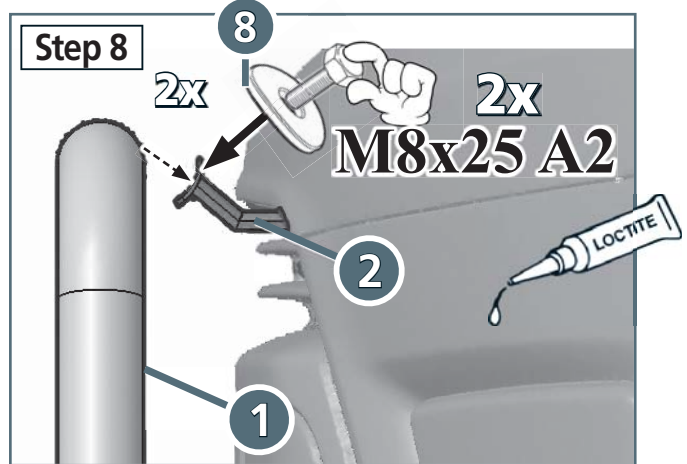
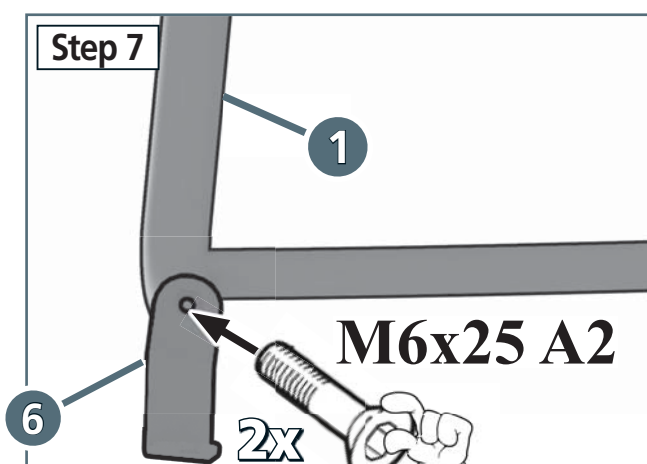
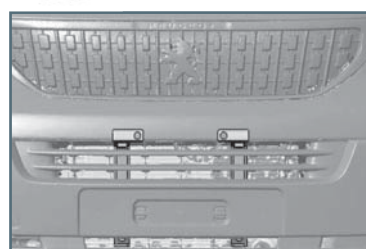
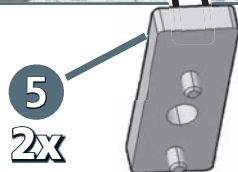
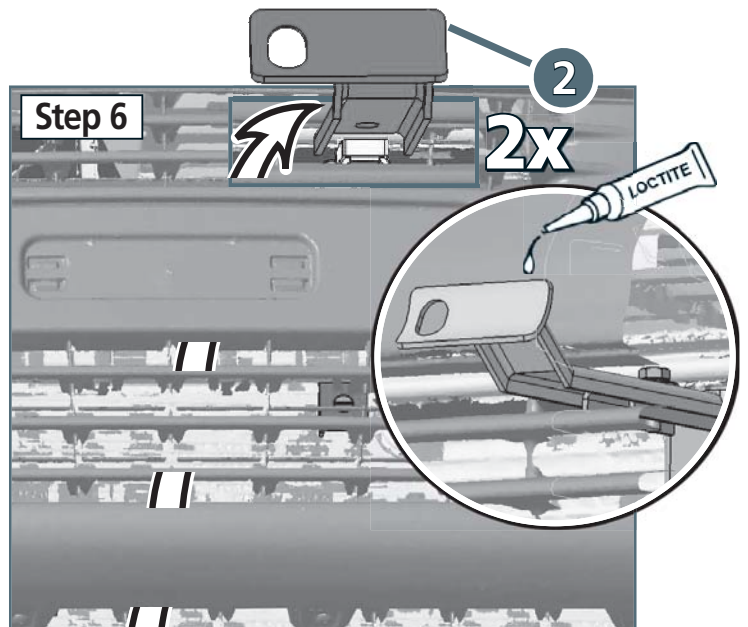
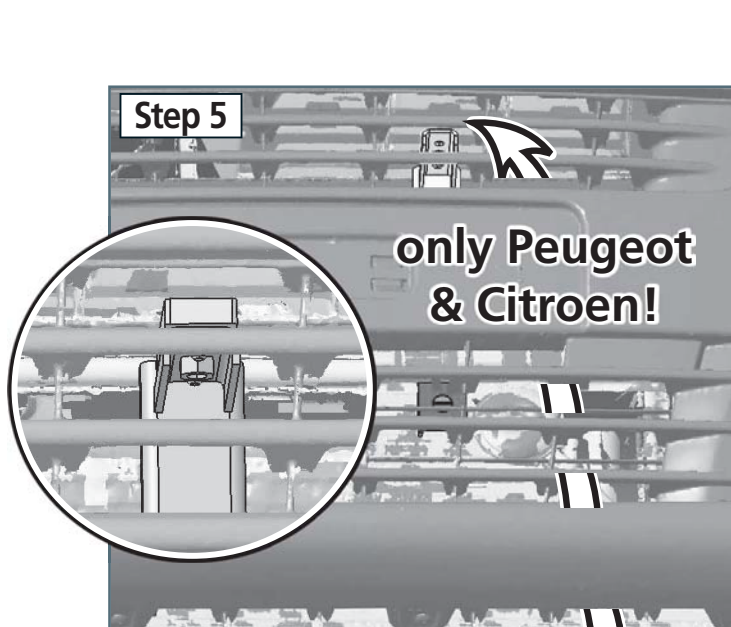
Revision 6: 12.02.2020



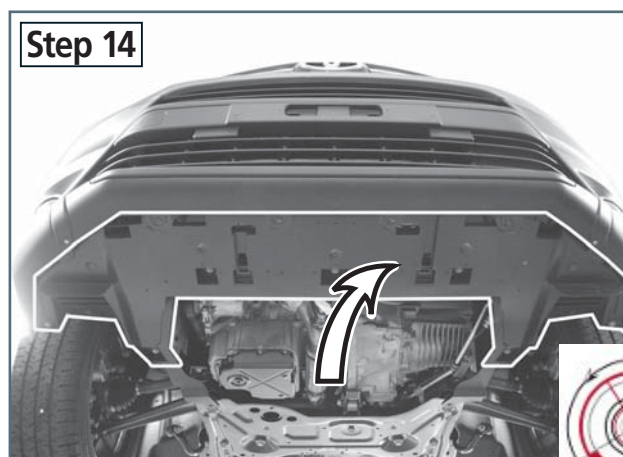
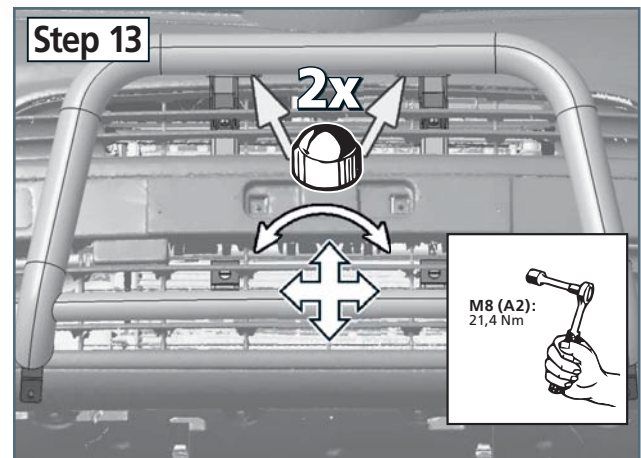
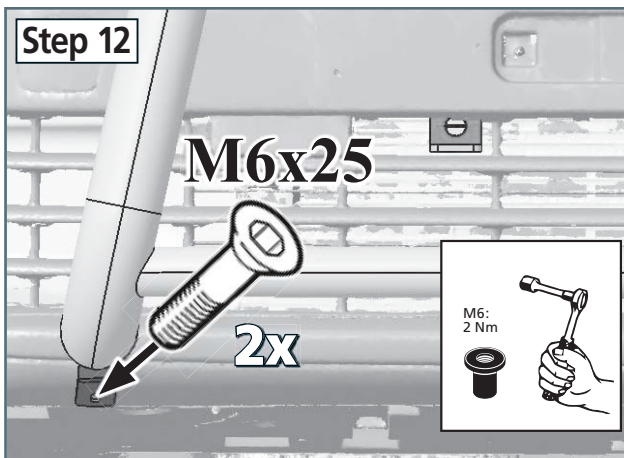
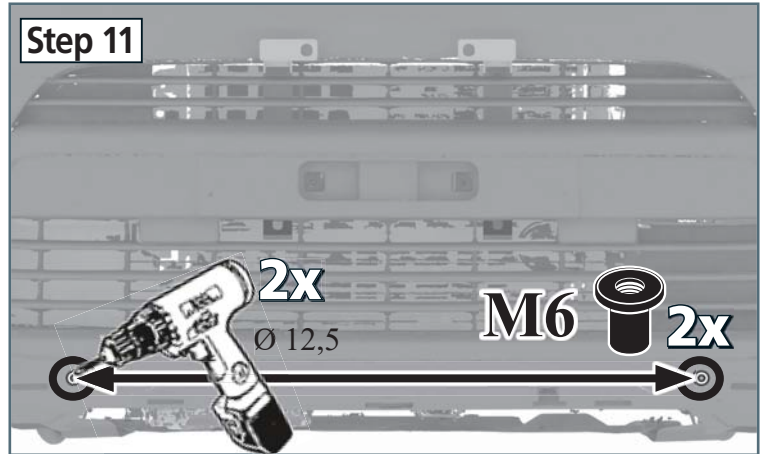
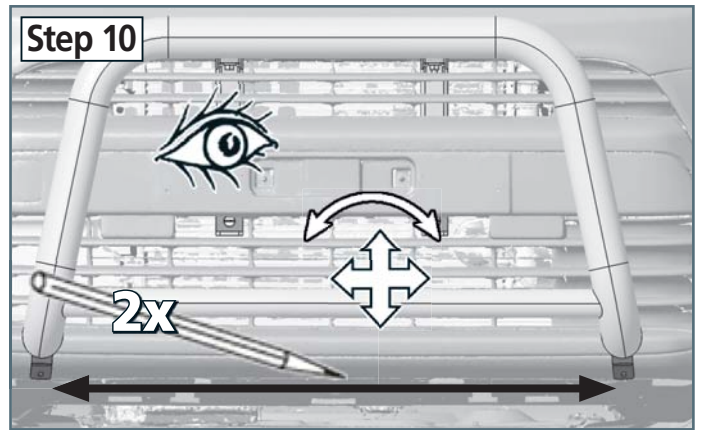
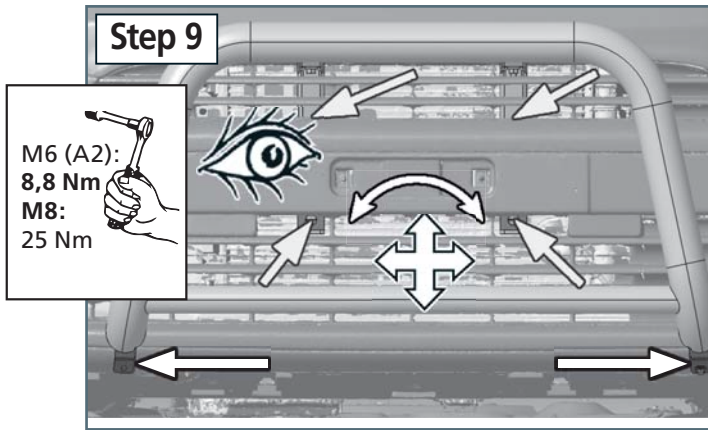
ULLSTEIN  
CONCEPTS  
GMBH







**ULLSTEIN  
CONCEPTS  
GMBH**



**ULLSTEIN**  
CONCEPTS  
GMBH

