

**17A
4051**

**Mercedes V-Klasse 05/2014
Mercedes Vito 10/2014**

wheelbase / Radstand / empattement 3200 mm

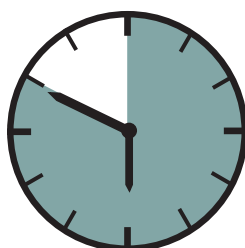
Side protection bar 60 mm, long

Flankenschutzrohr 60 mm, lang

Protection latérale 60 mm, longue



ASSEMBLY INSTRUCTION
Montageanleitung • Instructions de montage



50 Minuten

article no.:

17A4051 (S) inox

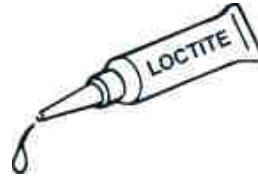
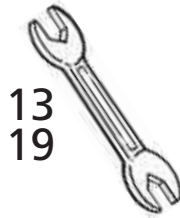
17A5051 black steel

Revision 4: 22.11.2018

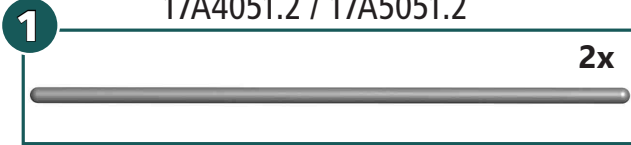


**ULLSTEIN
CONCEPTS
GMBH**

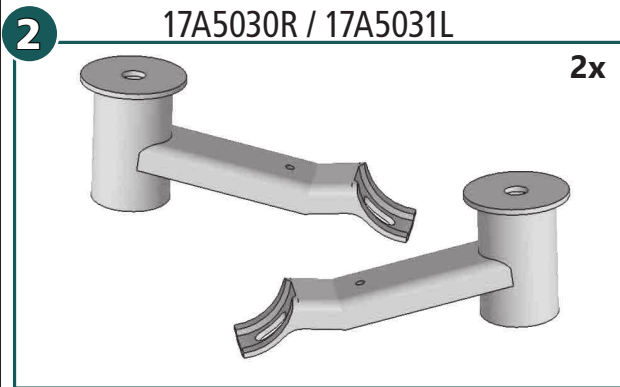
M8(A2): 21,4 Nm
M12: 87 Nm



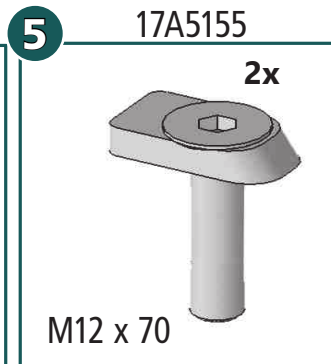
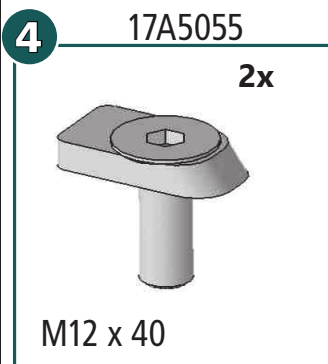
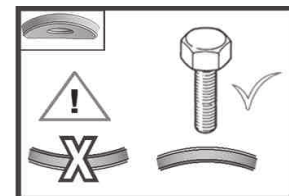
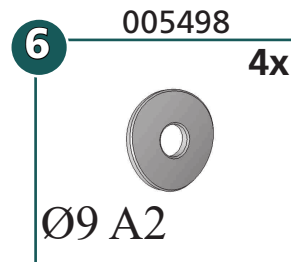
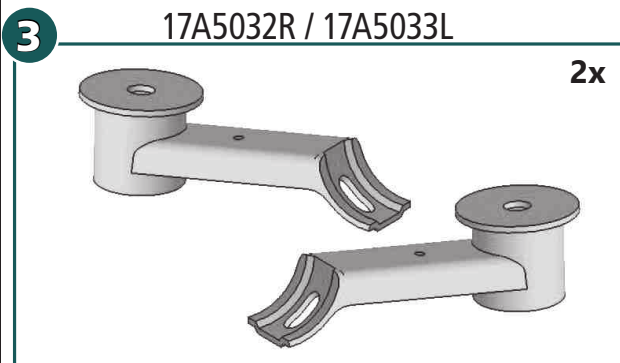
17A4051.1 / 17A5051.1
17A4051.2 / 17A5051.2



mounting kit: 17A9051



	Ø 13; DIN 125 Zn	4x
	M8 x 25; DIN 933 A2	4x
	M12; DIN 934 Zn	4x

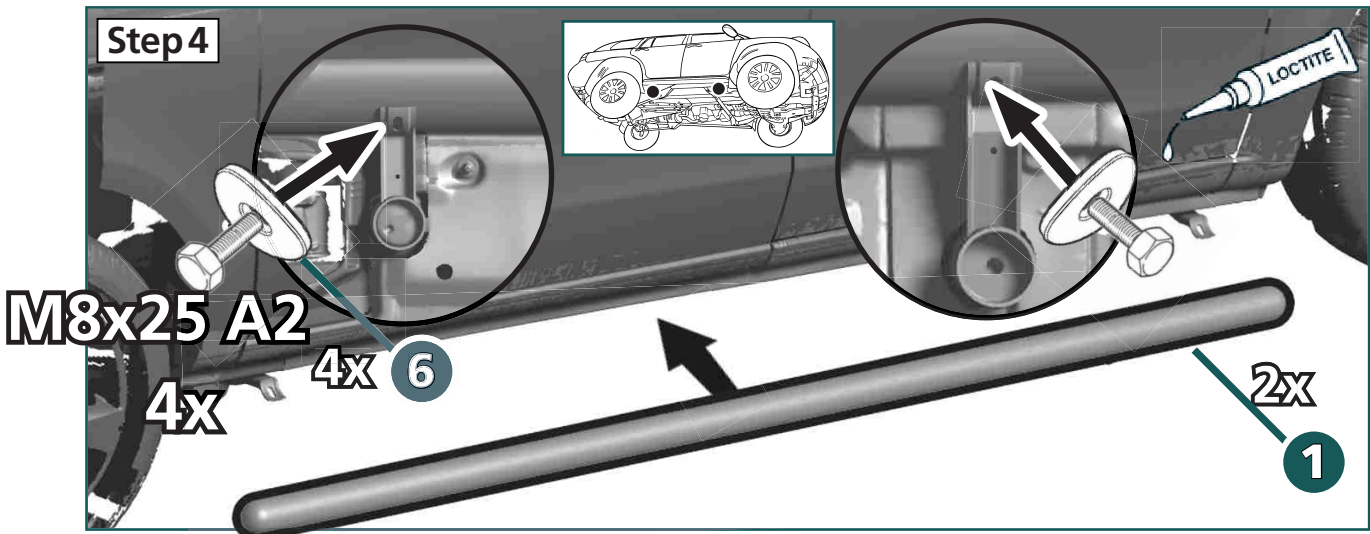
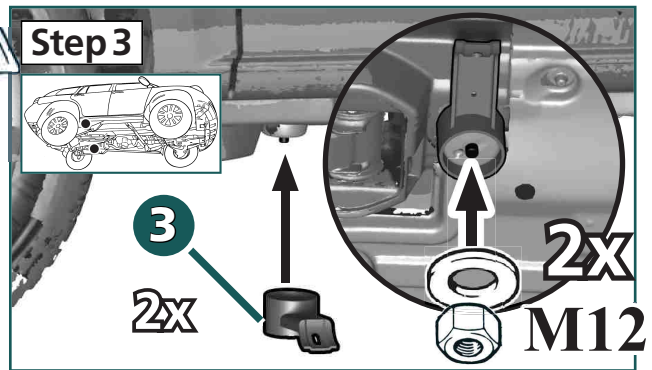
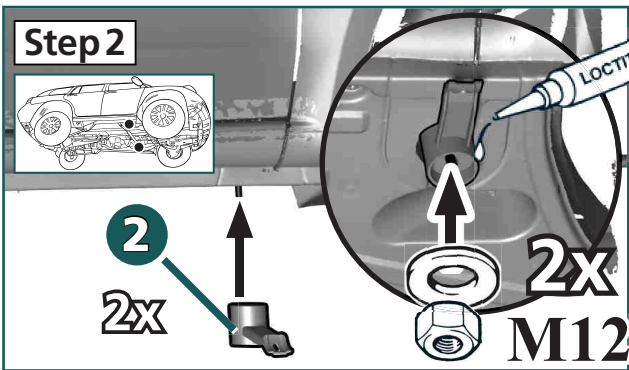
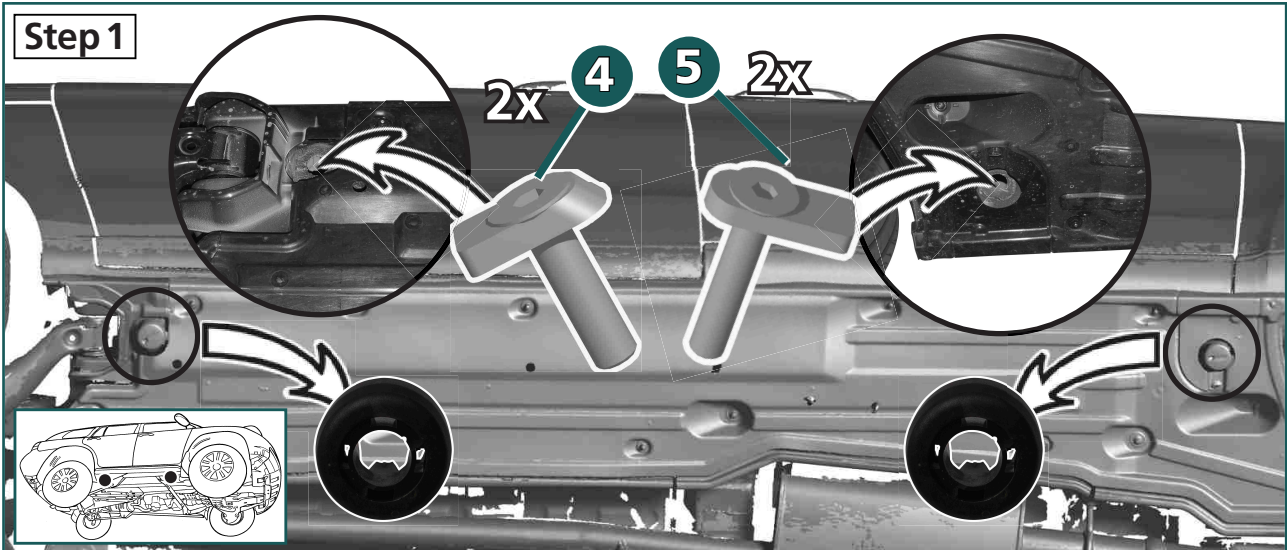


article no.:
17A4051 (S) inox
17A5051 black steel

Revision 4: 22.11.2018



ULLSTEIN
CONCEPTS
GMBH



M8 (A2):
21,4 Nm
M12:
87 Nm

