

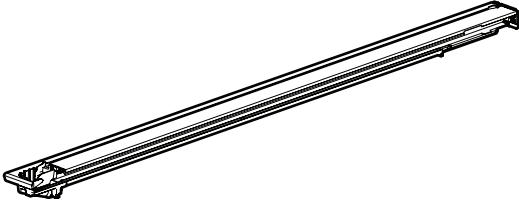
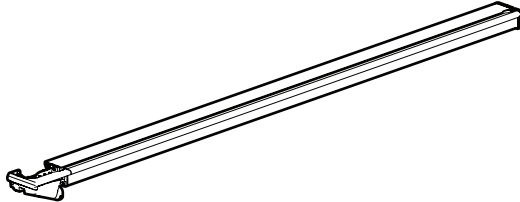
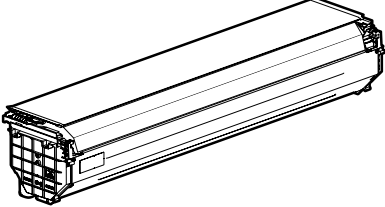
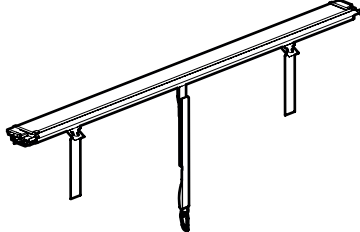



MOUNTAIN TOP® EV0m

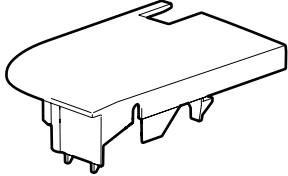
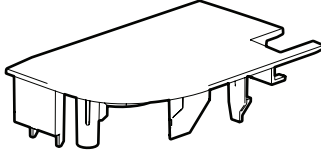
Installation manual



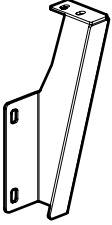
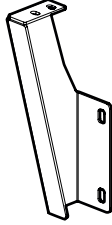


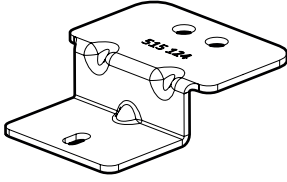
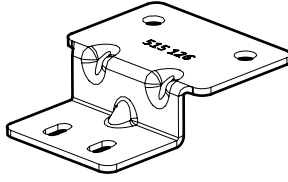
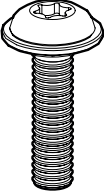
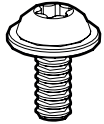
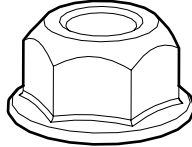
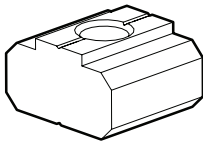
Parts

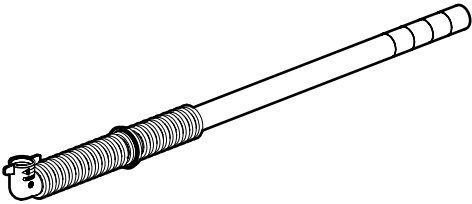
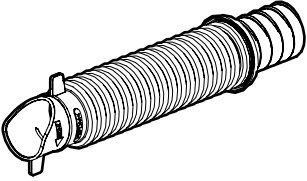
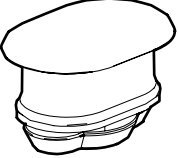

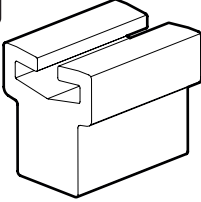
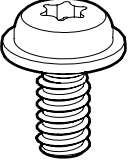
<p>A</p>  <p>x1</p>	<p>B</p>  <p>x1</p>
<p>C</p>  <p>x1</p>	<p>D</p>  <p>x1</p> <div style="border: 1px dashed black; padding: 2px; display: inline-block;"> <p>I2</p>  <p>x1</p> </div>

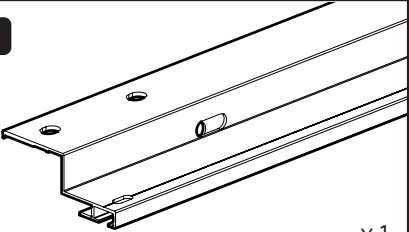
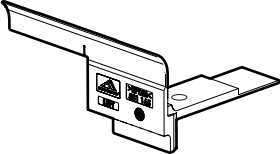
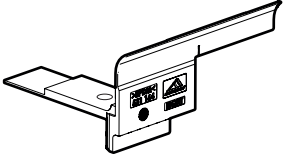
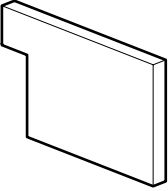
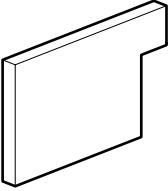
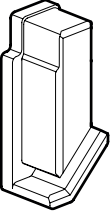
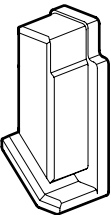
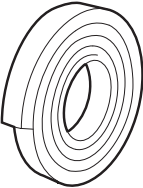

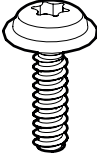
Kit

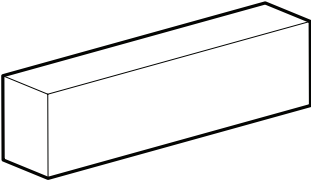
<p>E</p>  <p>LEFT x1</p>	<p>F</p>  <p>RIGHT x1</p>
--	--

Kit

<p>G</p>  <p>x1</p>	<p>H</p>  <p>x1</p>	<p>I</p>  <p>x1</p>	
<p>J</p>  <p>x1</p>	<p>K</p>  <p>x2</p>	<p>L</p>  <p>x2</p>	
<p>M</p>  <p>M8x30 x18</p>	<p>N</p>  <p>M6x12 x14</p>	<p>O</p>  <p>x6</p>	<p>P</p>  <p>x6</p>

Kit			
Q		R	
	x 2		x 2
S		T	
	x 2	M6x30	x 2
U		V	
	x 4	M6x16	x 4

Kit			
W		X	
	x 1		x 1
Y		Z	
	x 1		x 1
A2		B2	
	x 1		x 1
C2		D2	
	x 1	6x25mm	x 2
E2		F2	
	6x10mm	x 1	M5x14
		x 1	x 2

Kit	
G2	
20x25x100mm	x 2

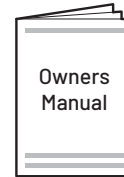
Kit



x1

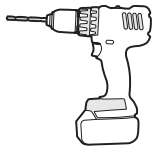


x1



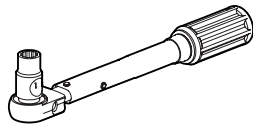
x1

Tools needed



Ø3.5 + Ø10 MM

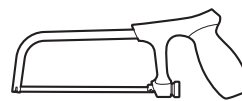
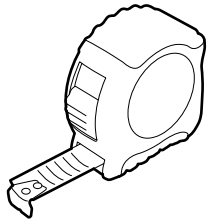
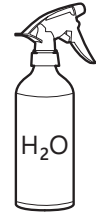
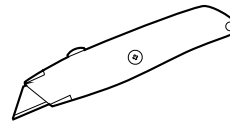
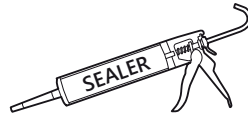
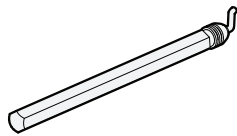
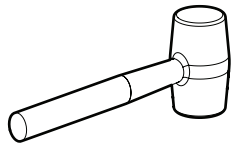
1 - 25 Nm



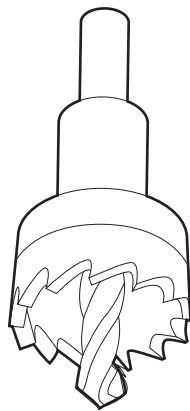
⊕ T20, T30, T40, T45



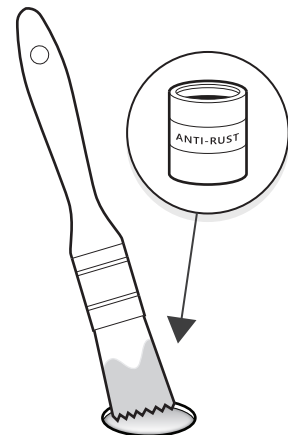
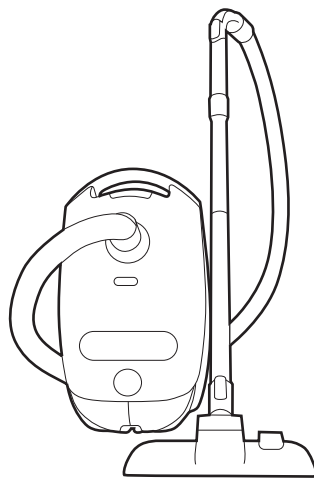
Rust protection
Rostschutzmittel
Anti-rouille
Anti roest



Applying rust protection



Ø30 / Ø40 mm

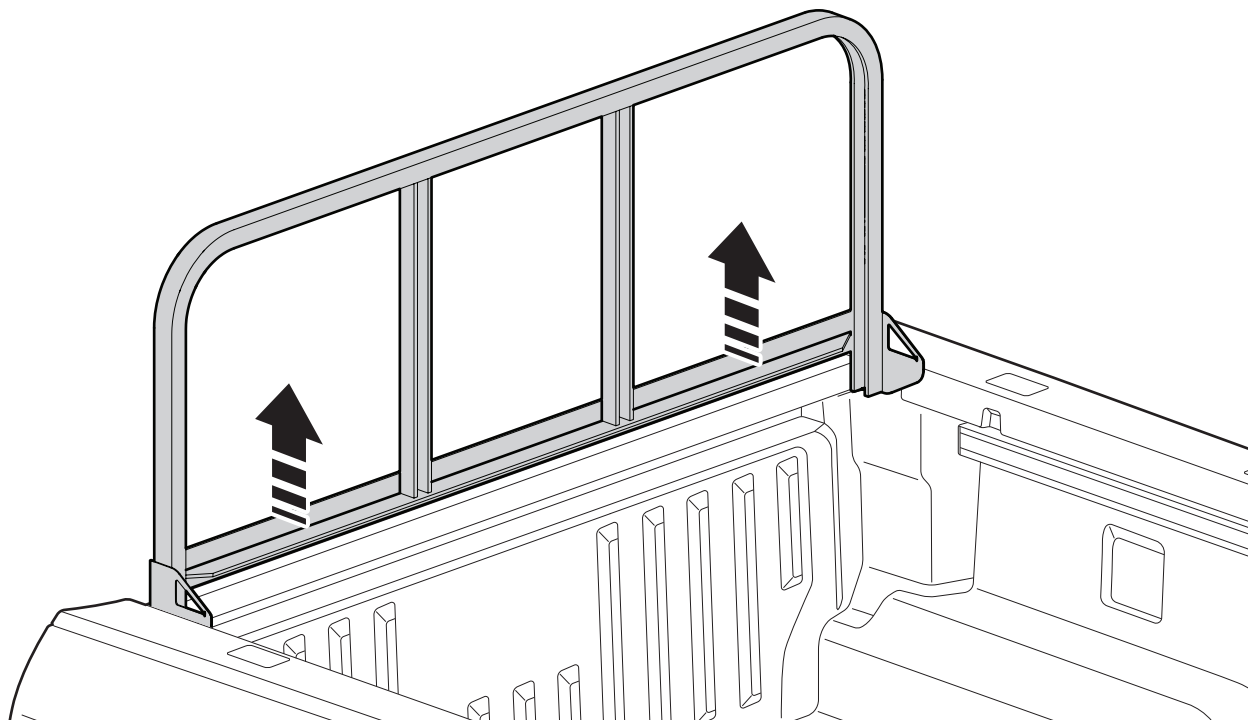




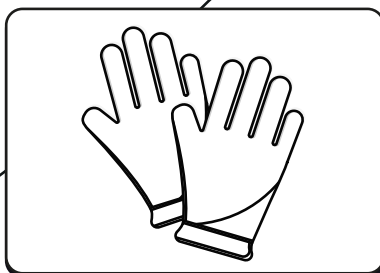
**If sheet metal is scratched during installation,
apply rust protection to damaged areas**

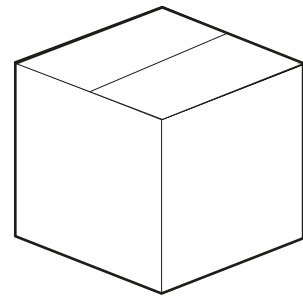
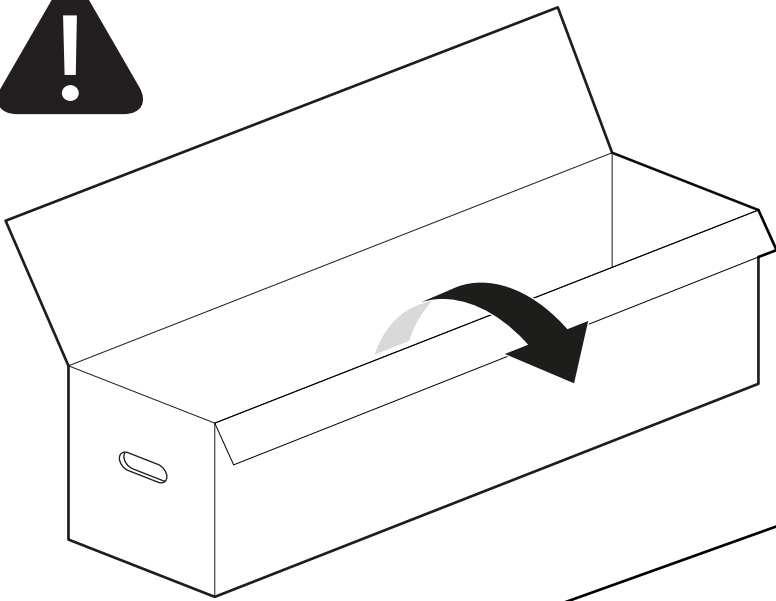


**Rollershutter brackets need to be fitted
directly onto the sheet metal**

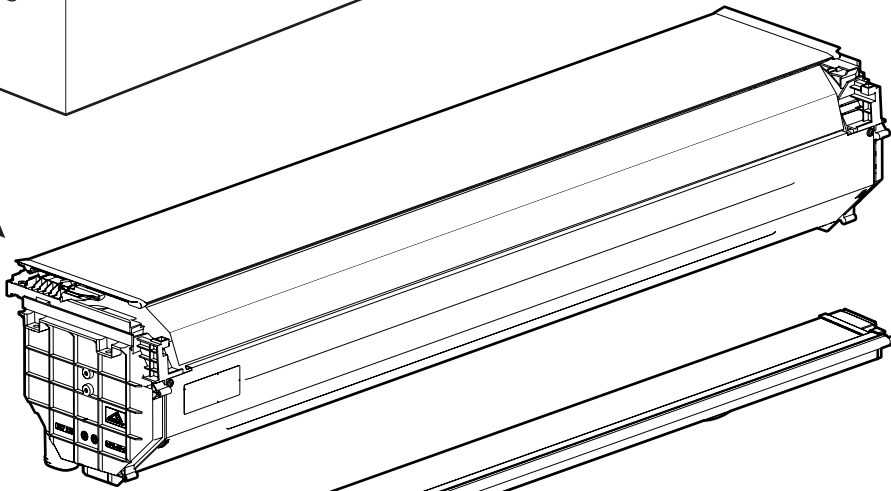


Rollershutter not compatible with load rest bar - part cannot be re-installed once Rollershutter have been installed (store parts)

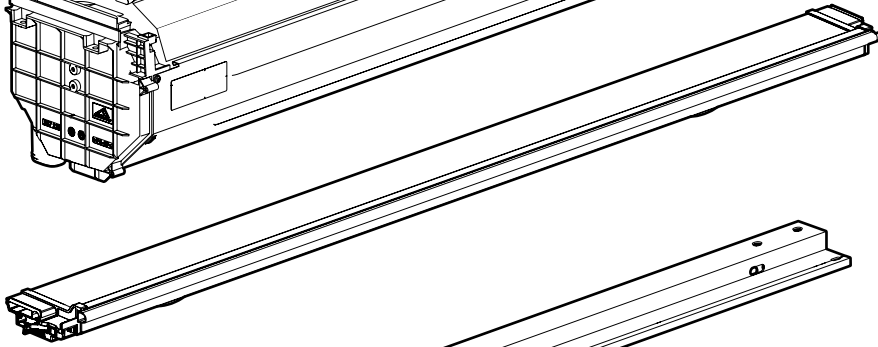




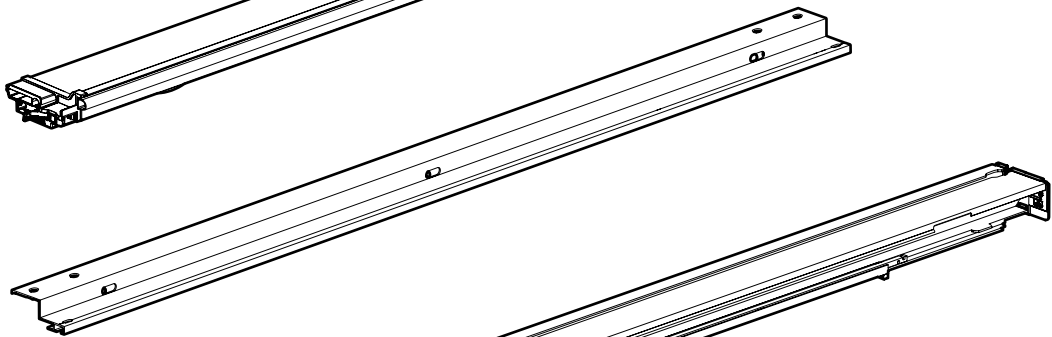
C



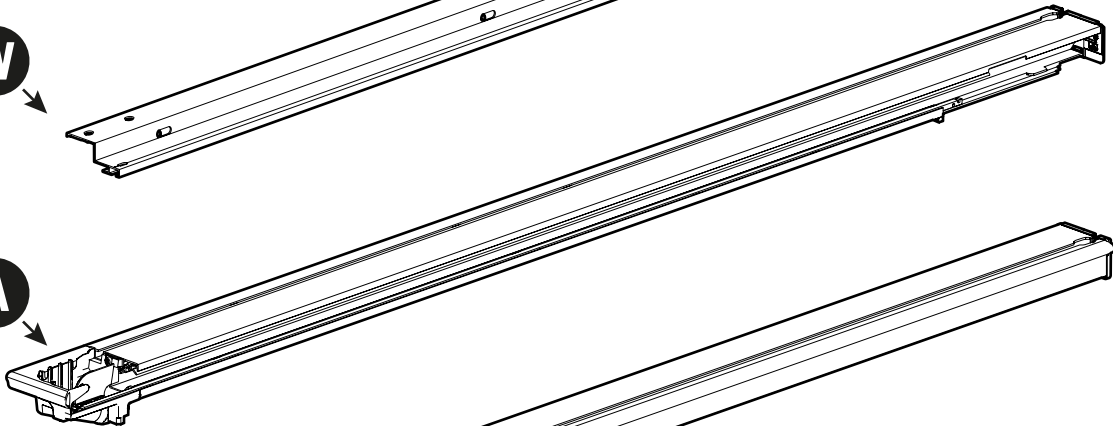
D



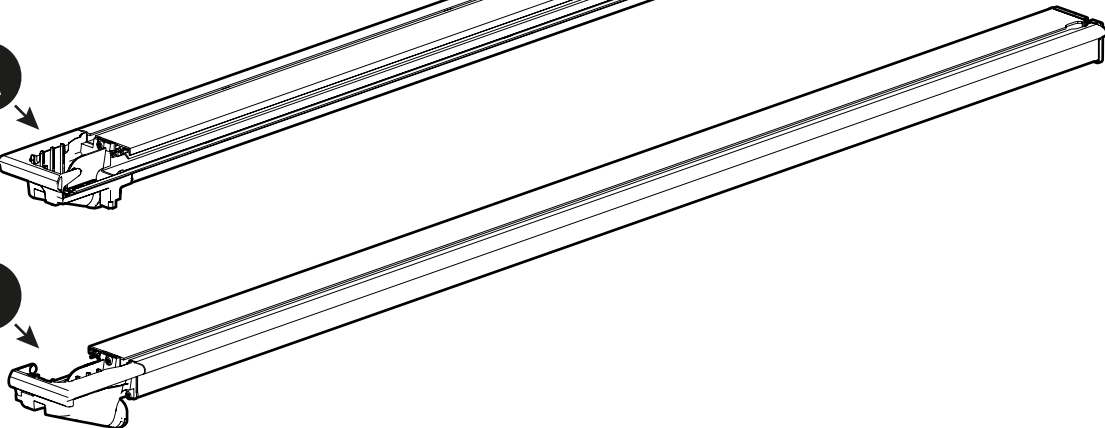
W



A

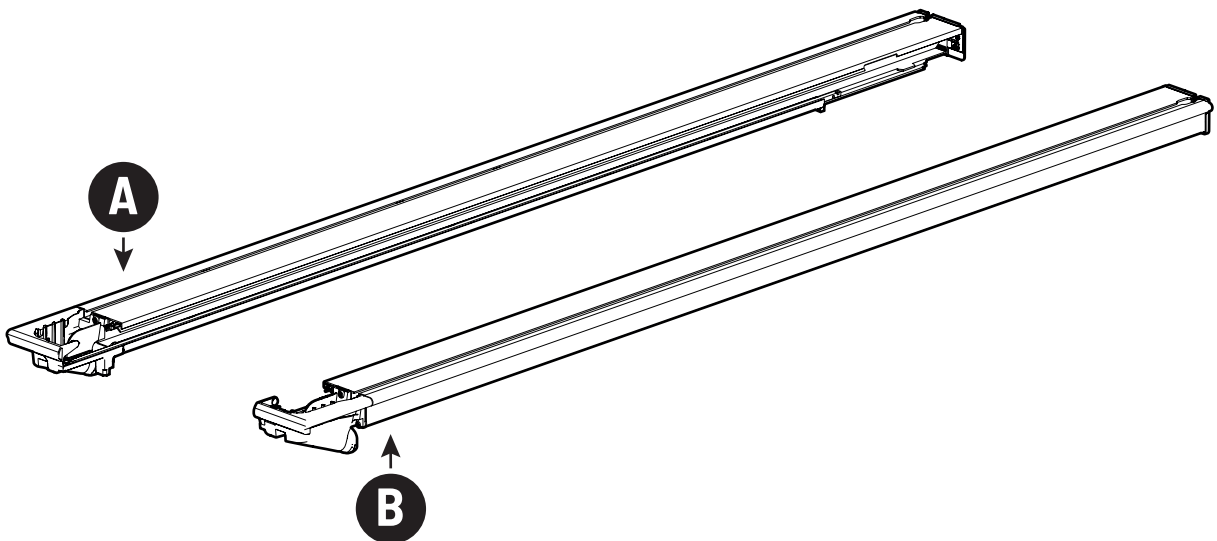
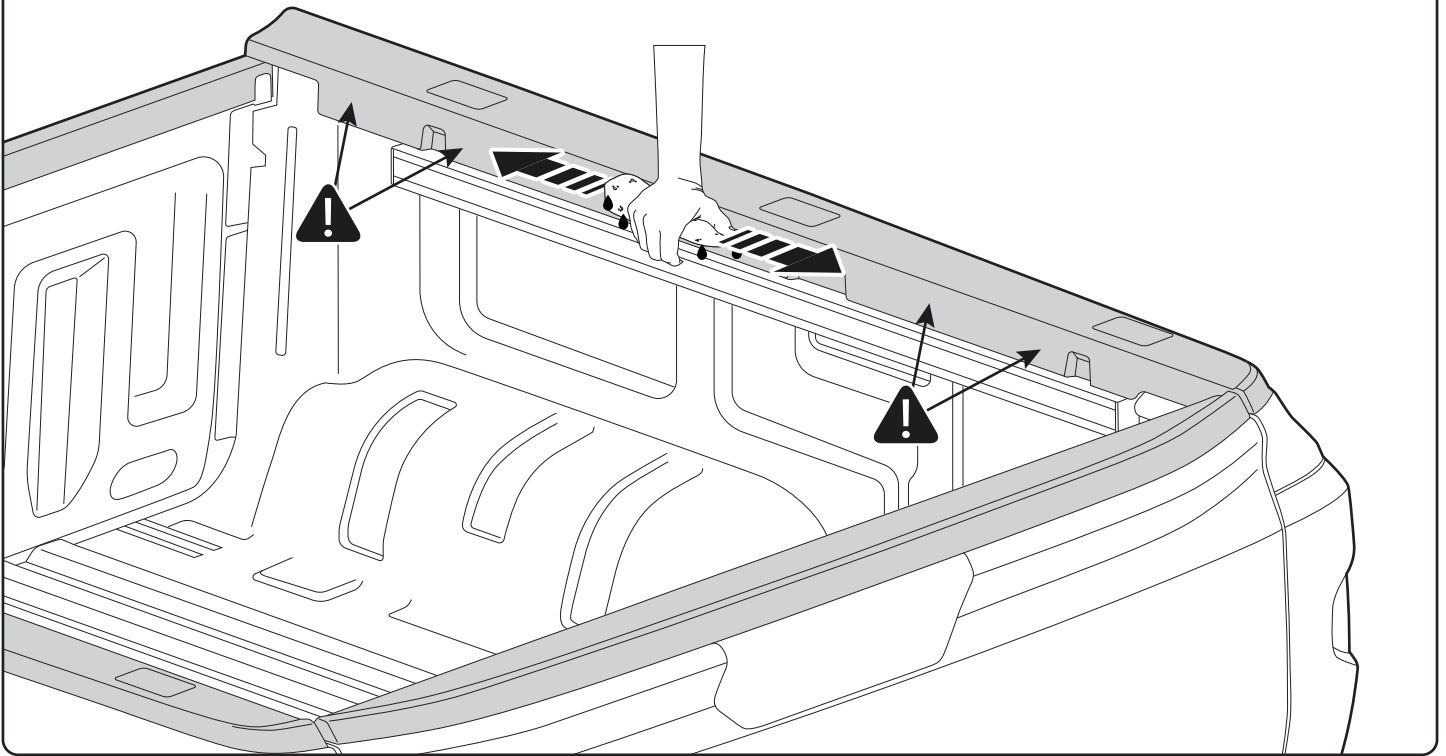


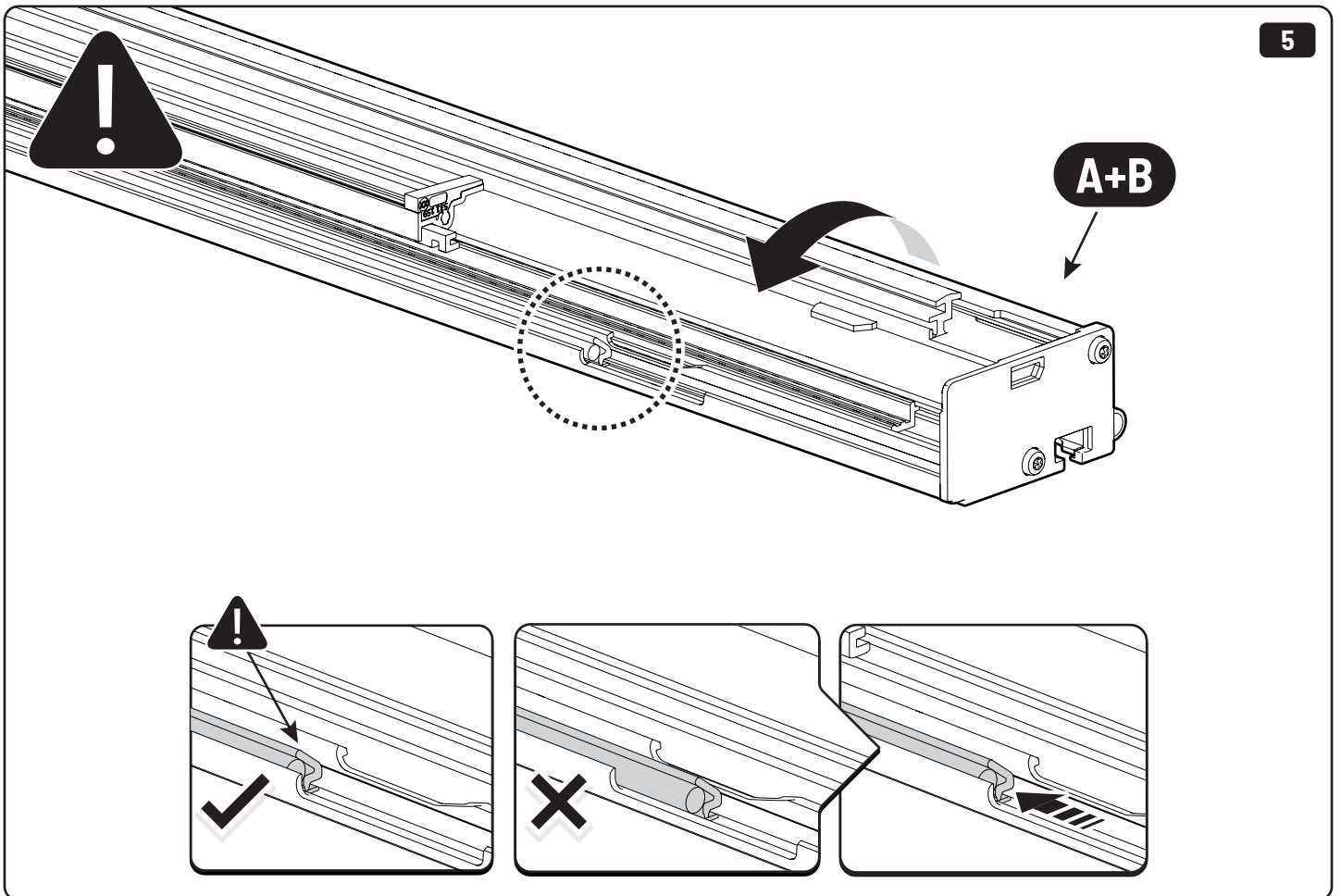
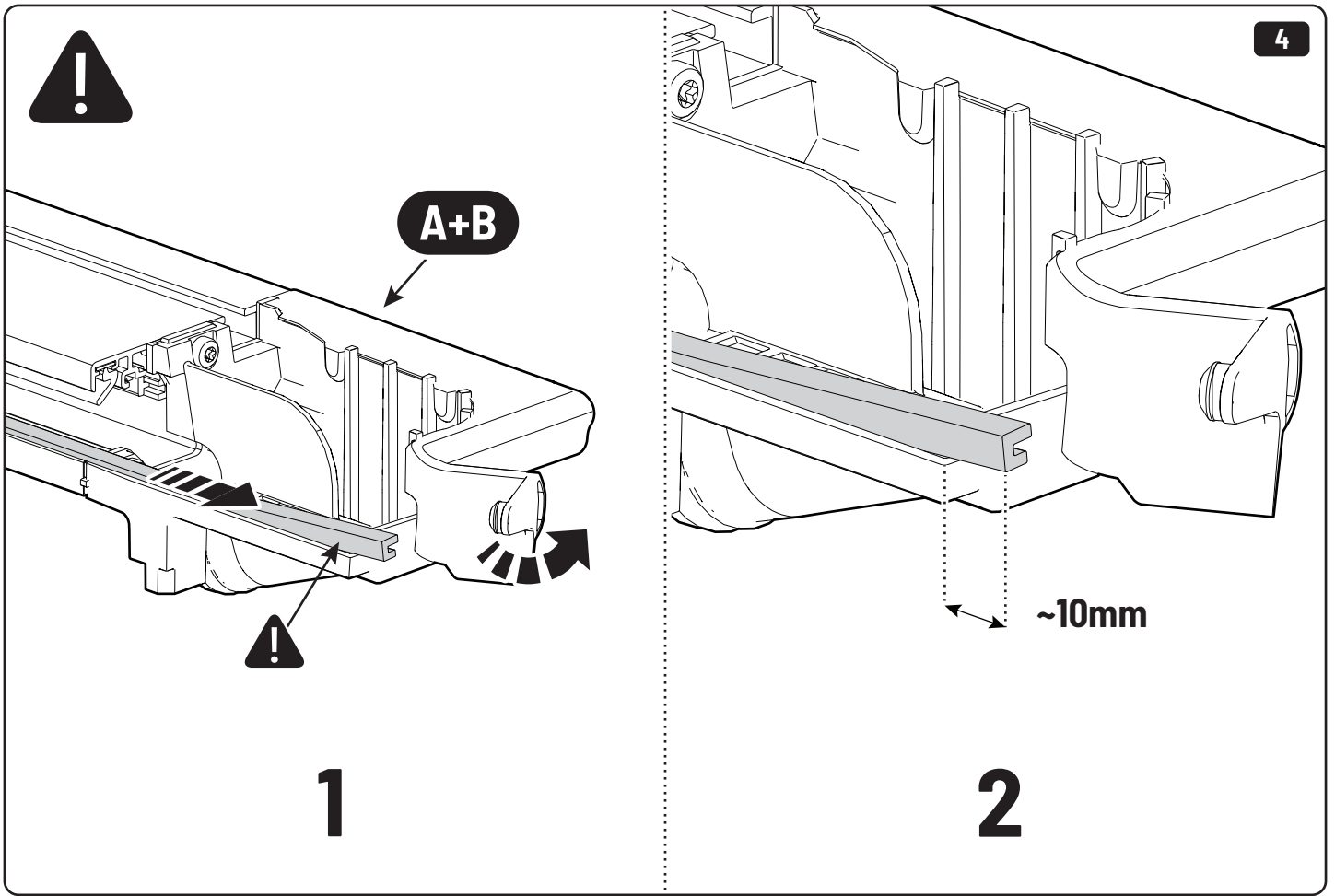
B

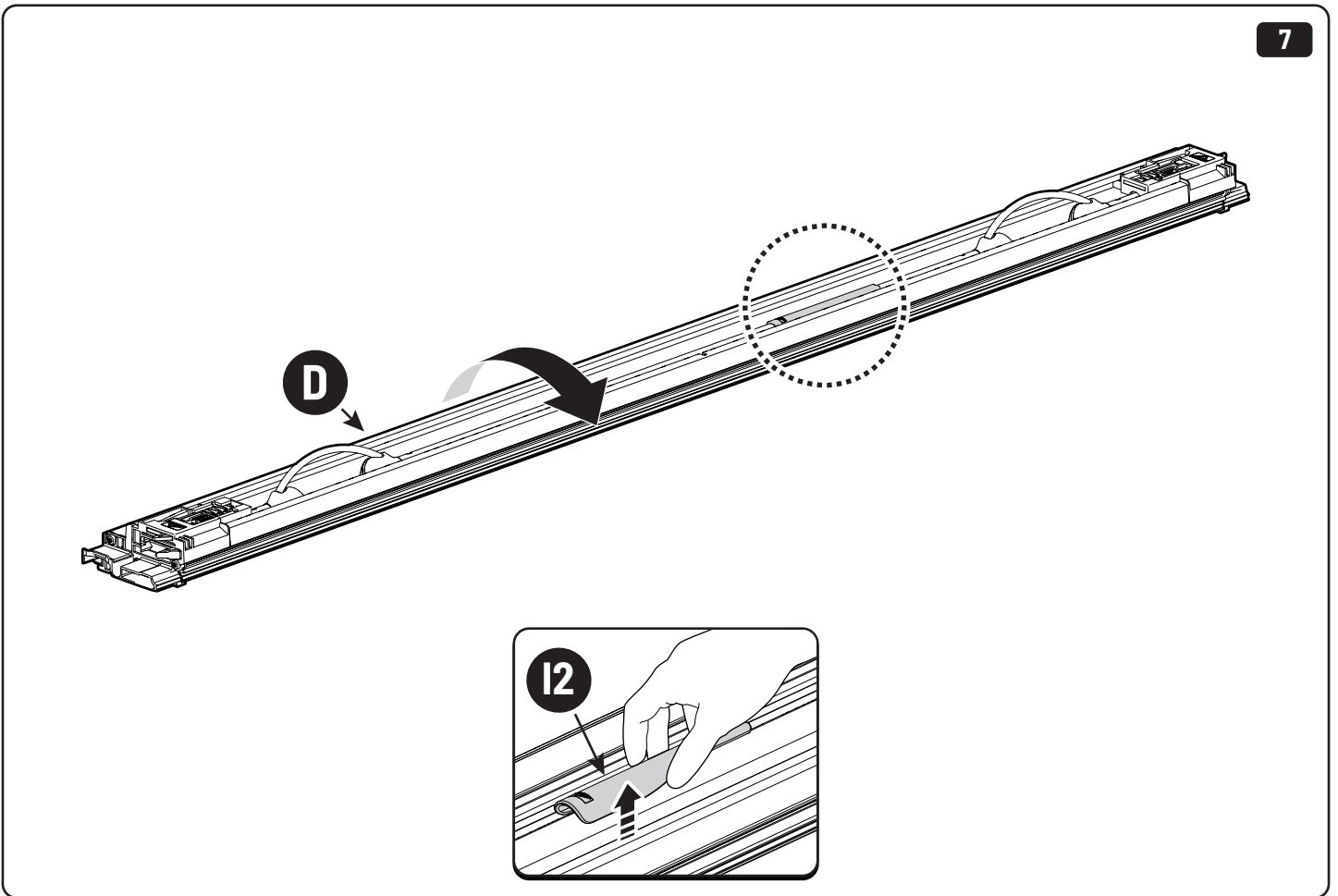
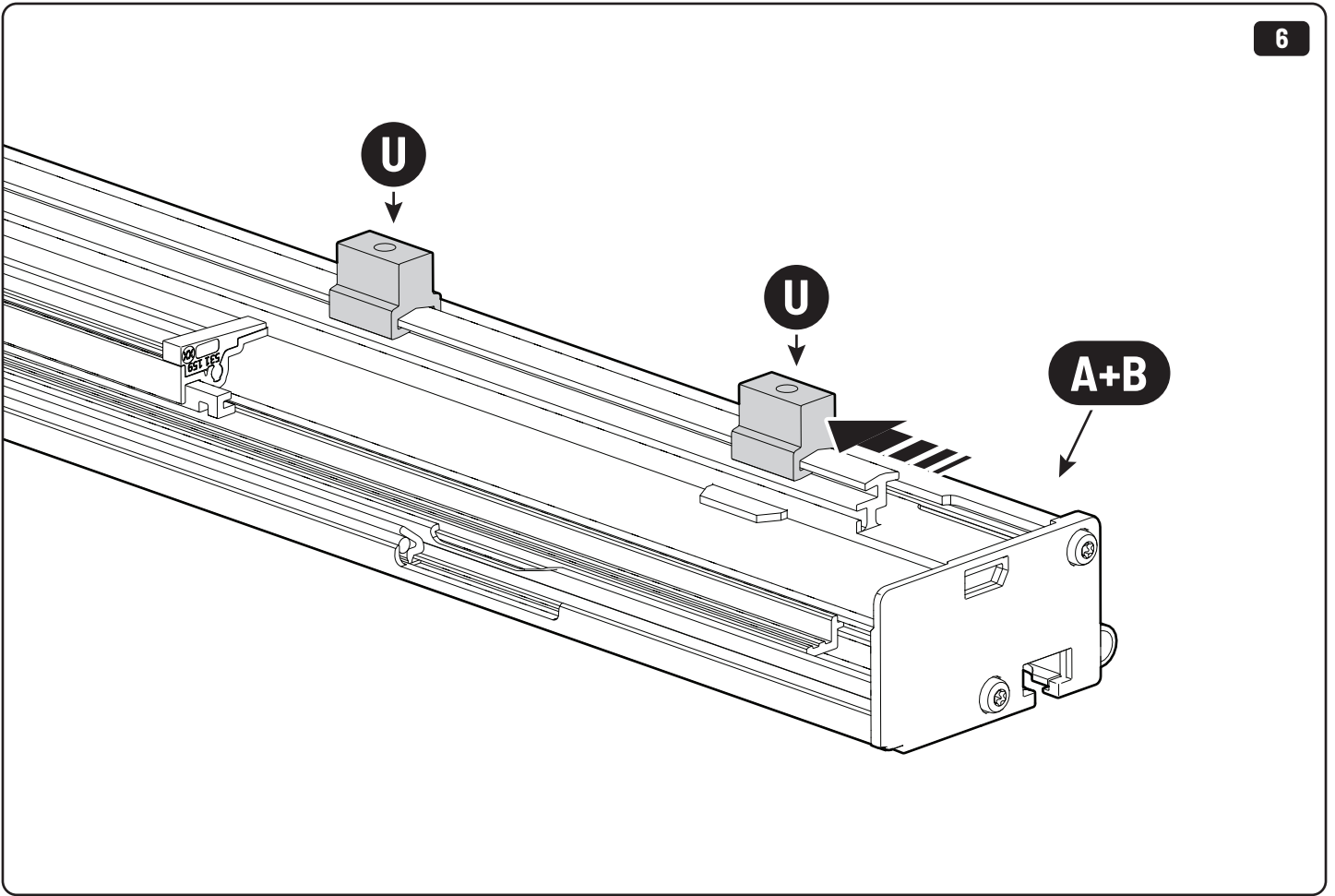


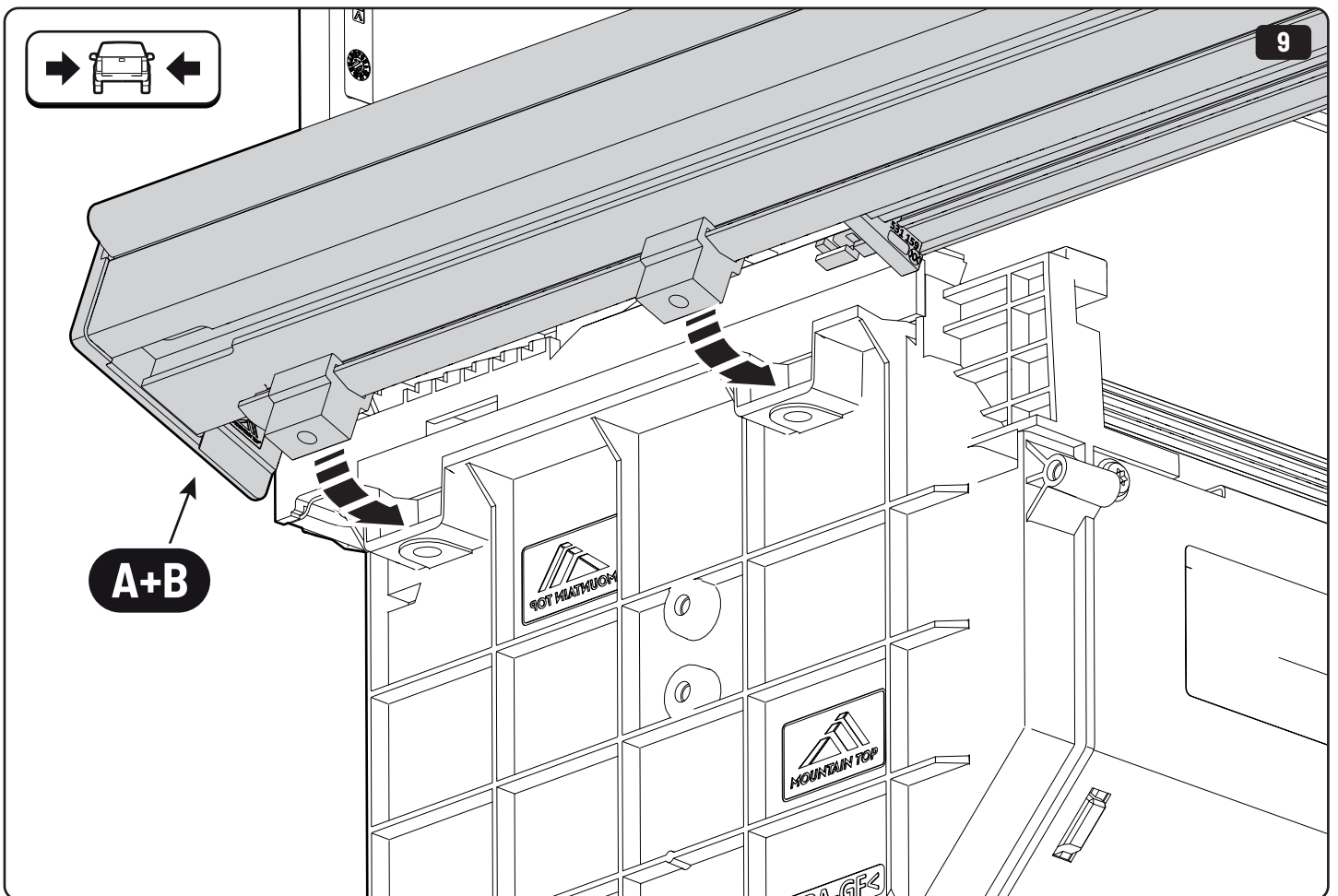
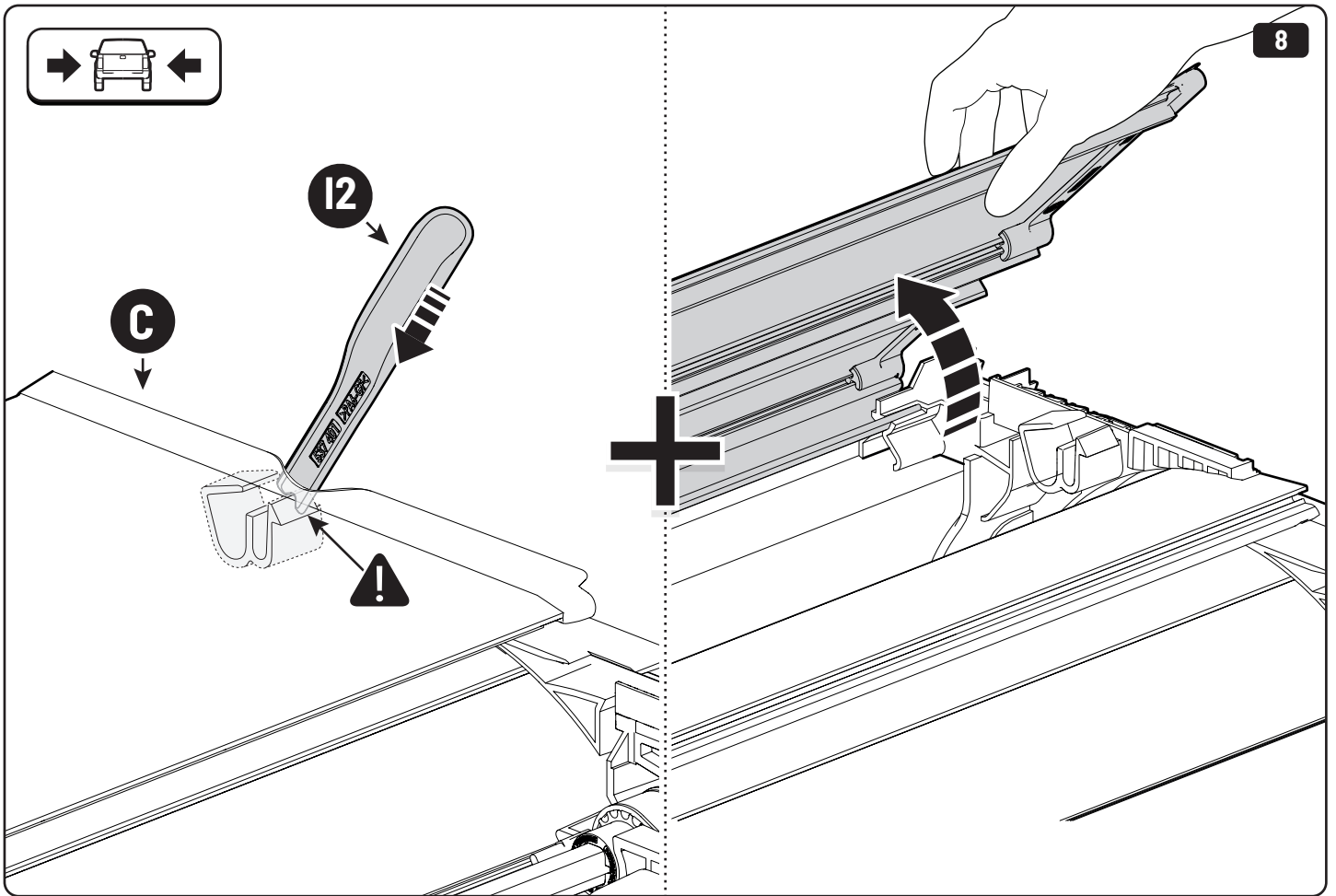


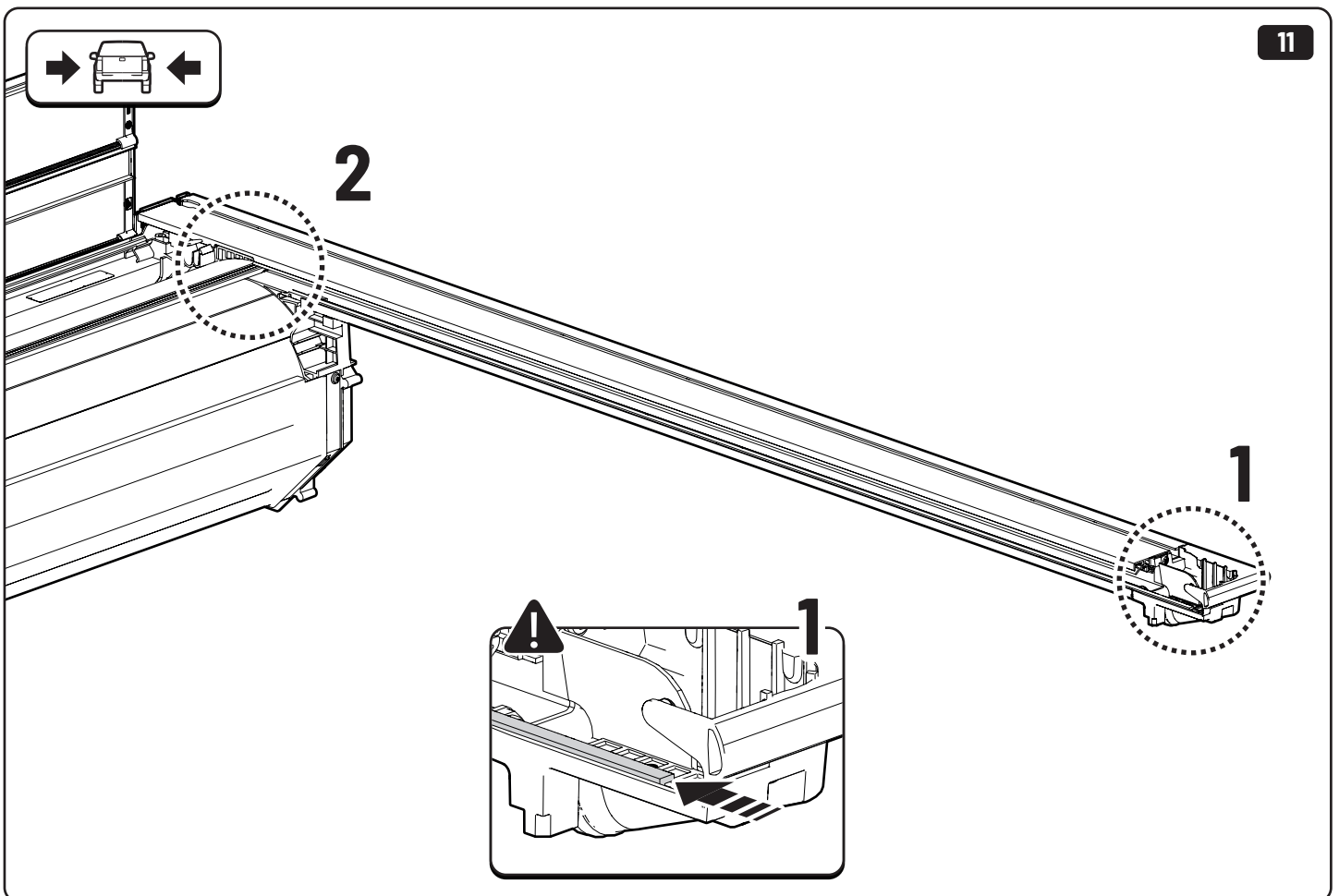
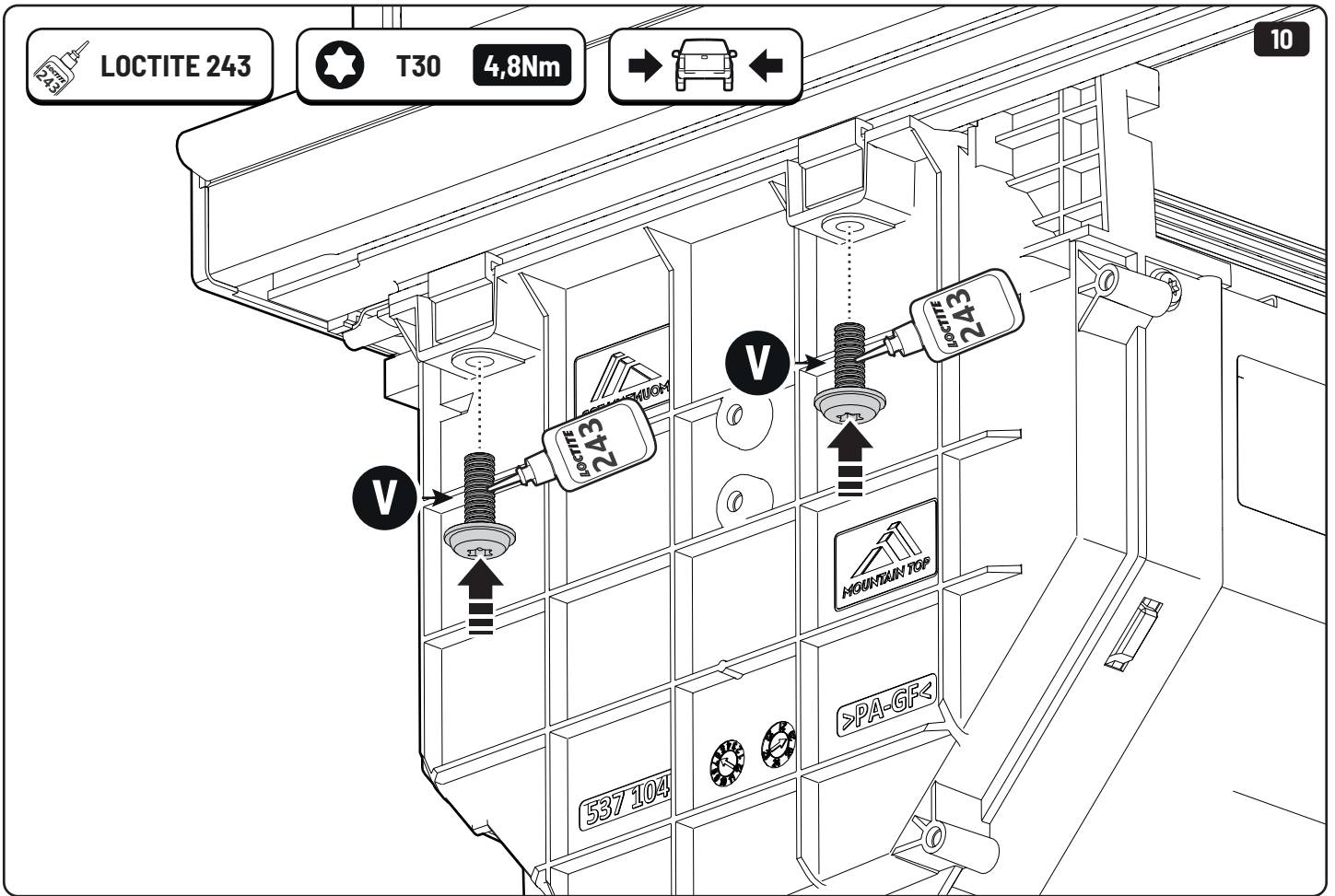
Water & sponge

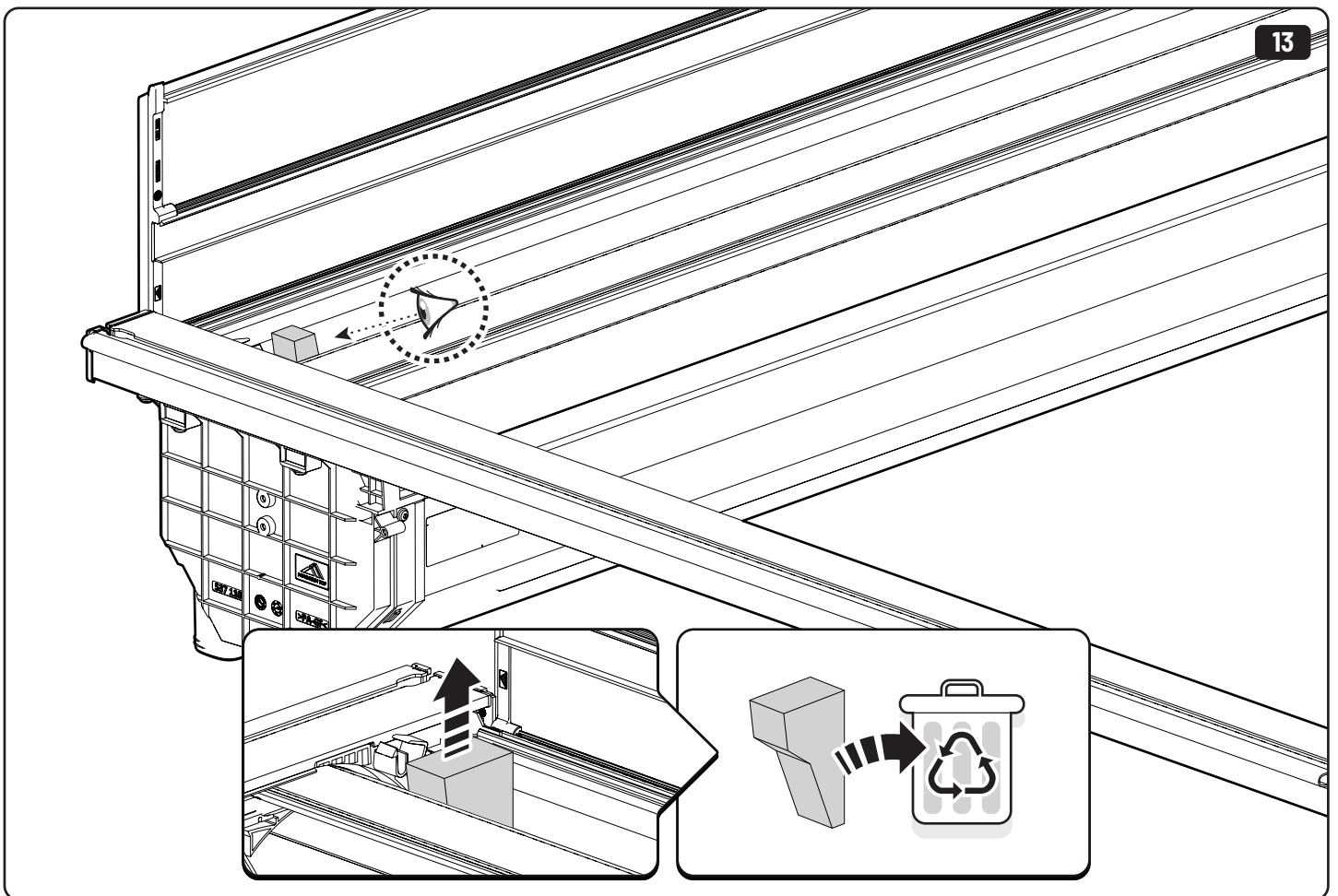
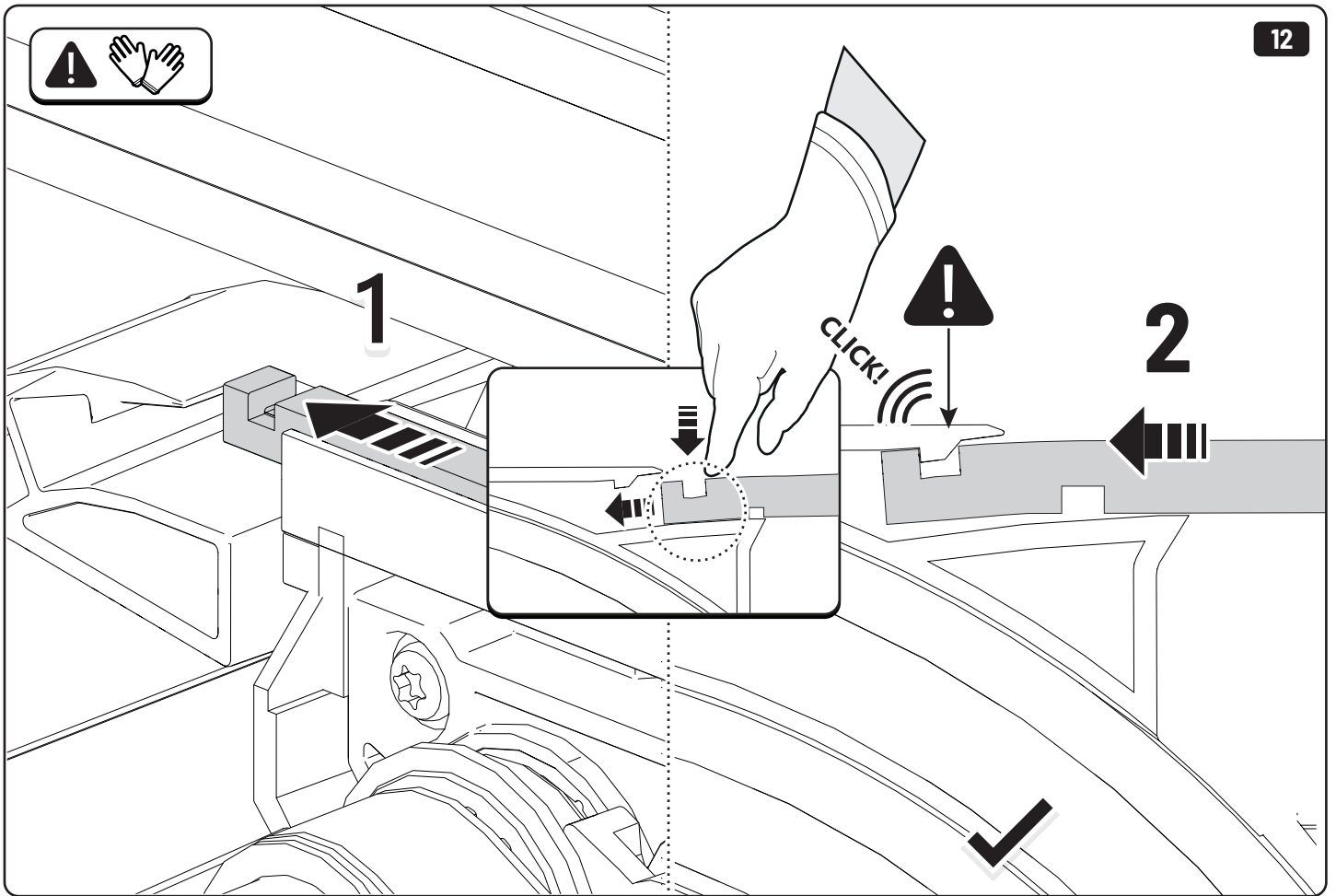


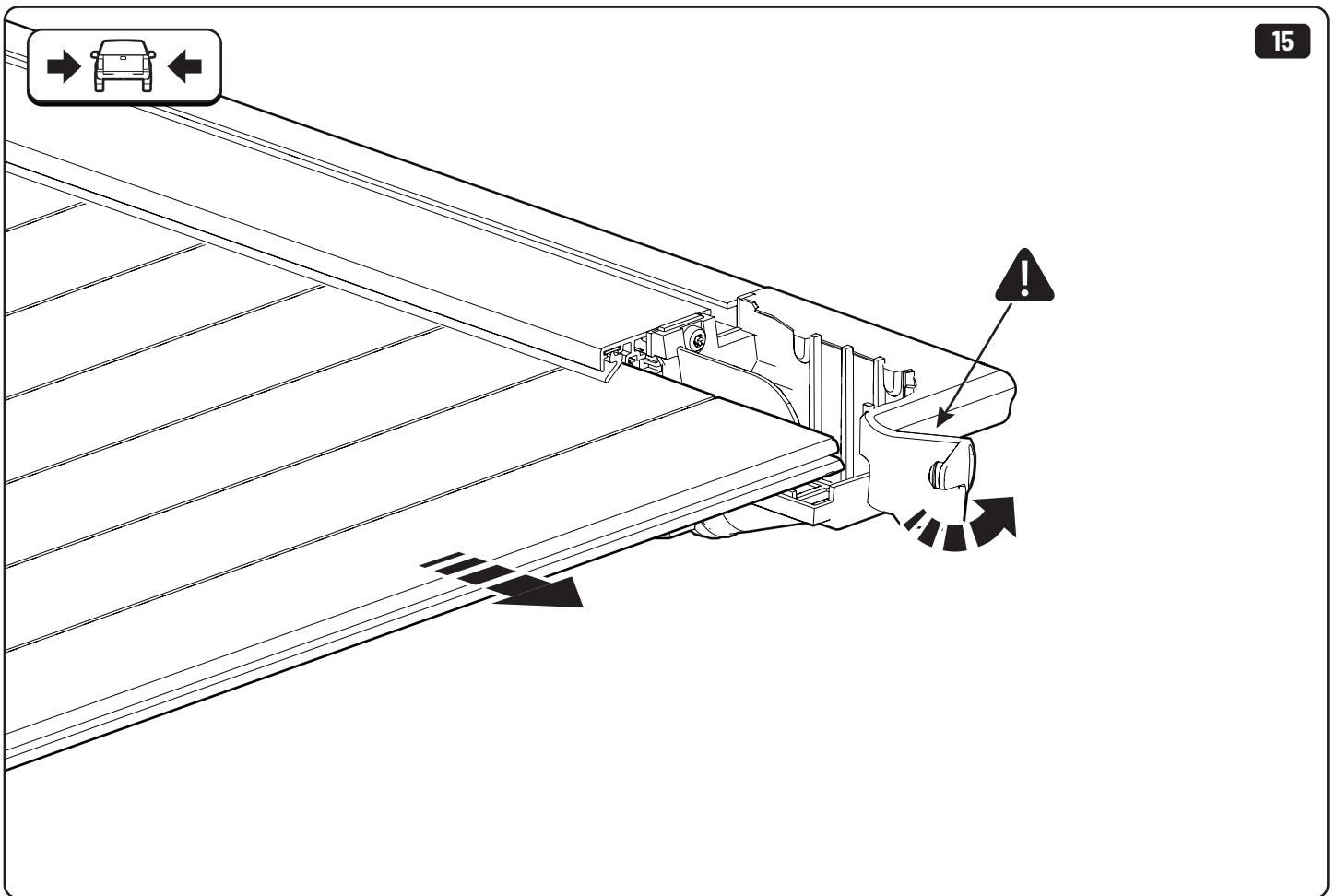
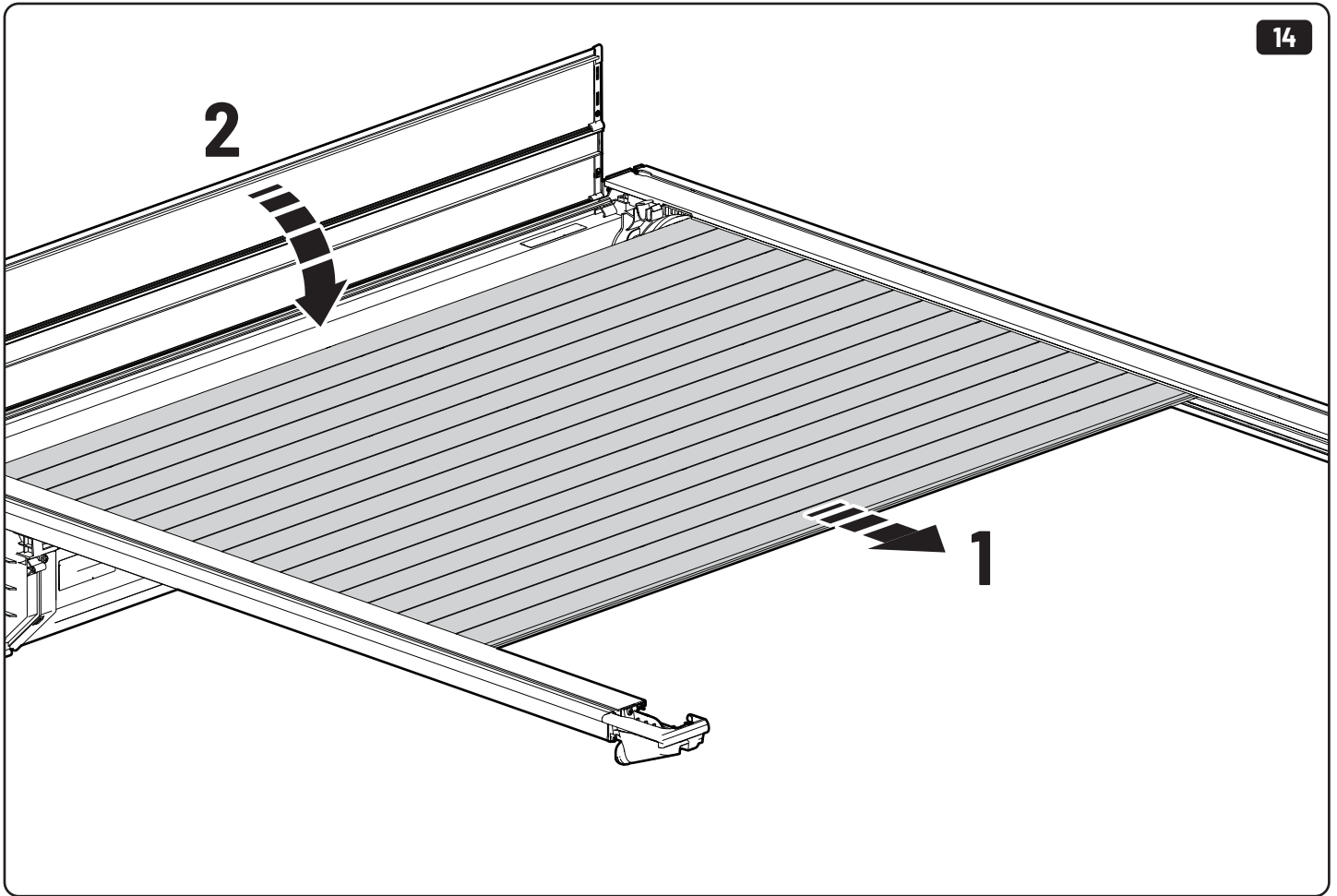


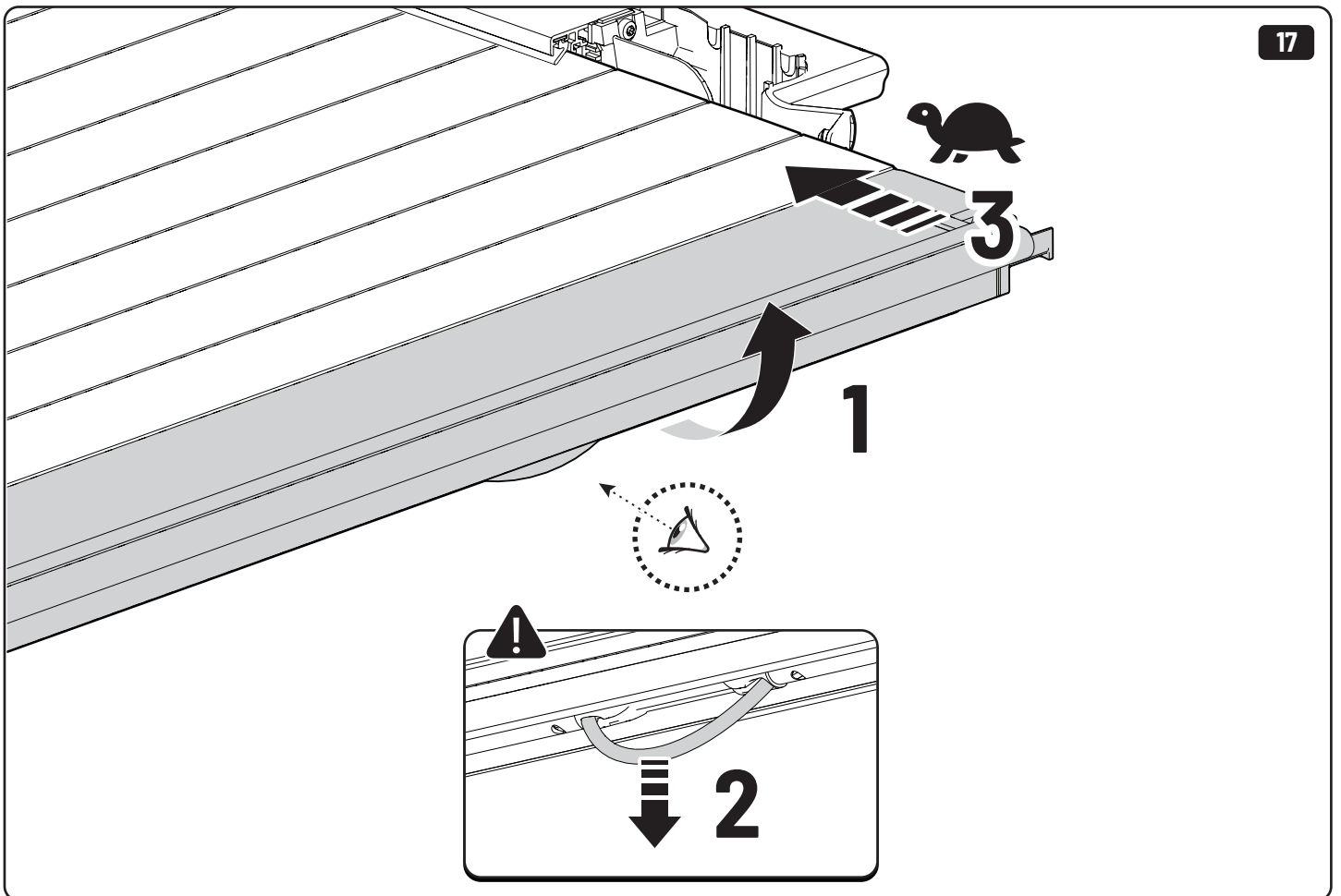
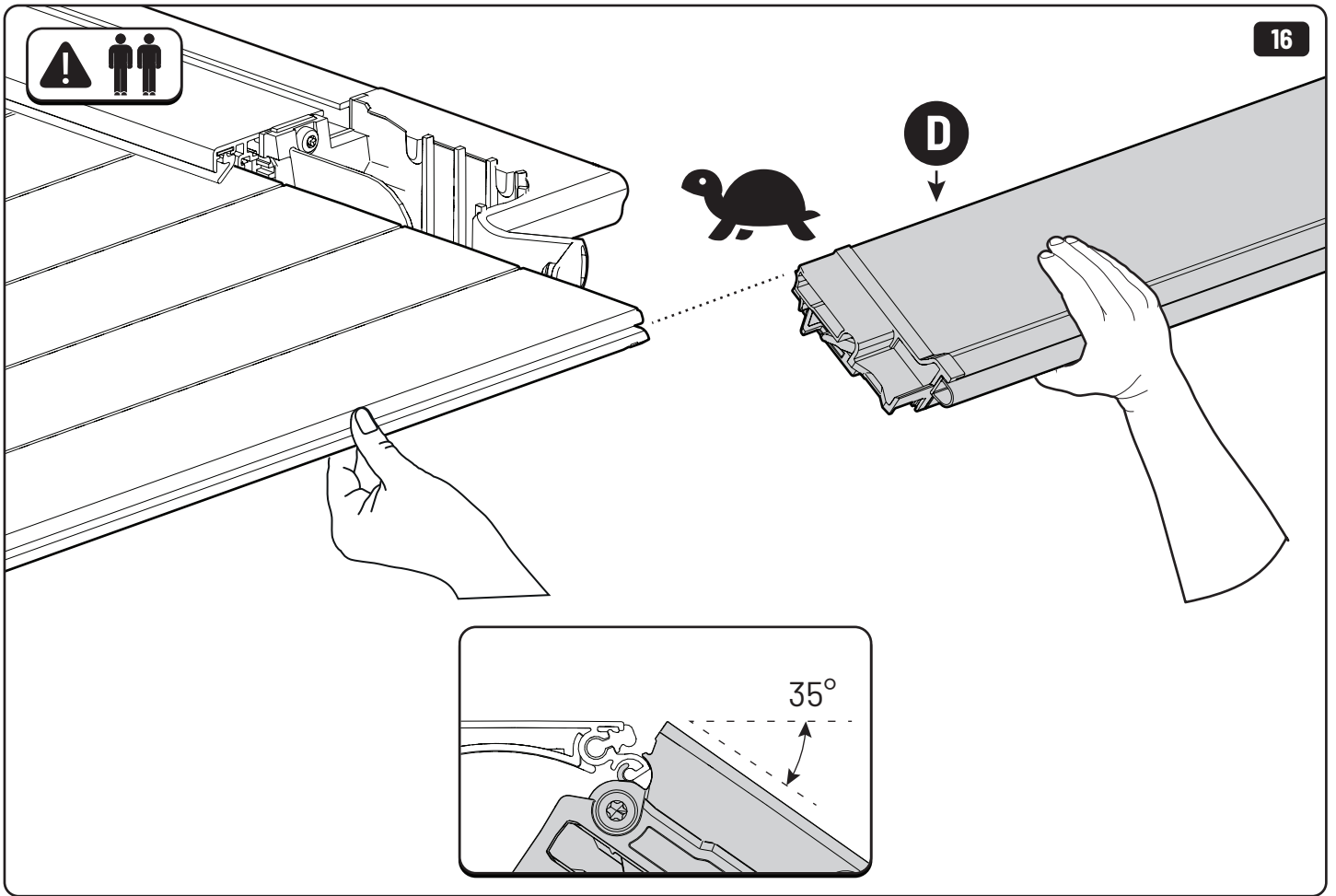


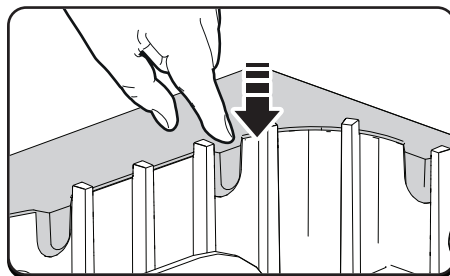
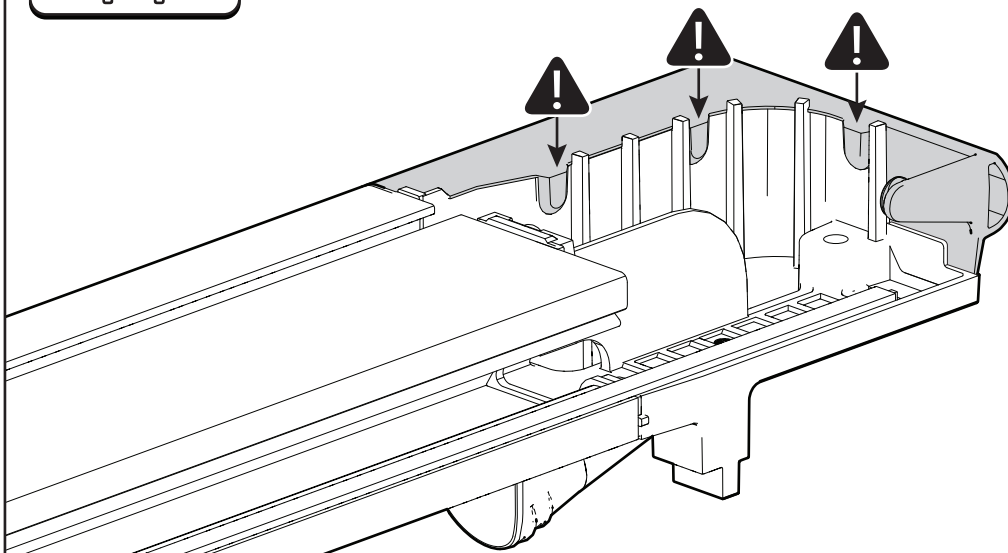
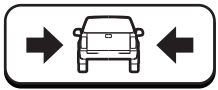
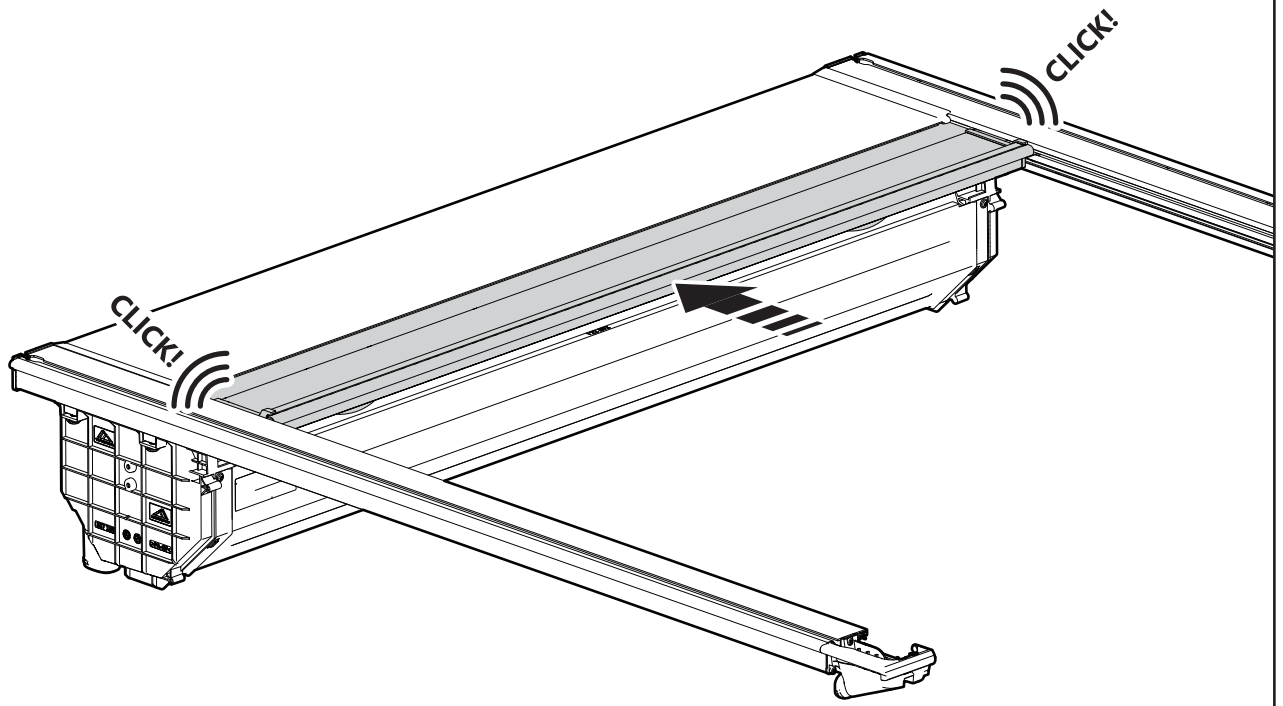




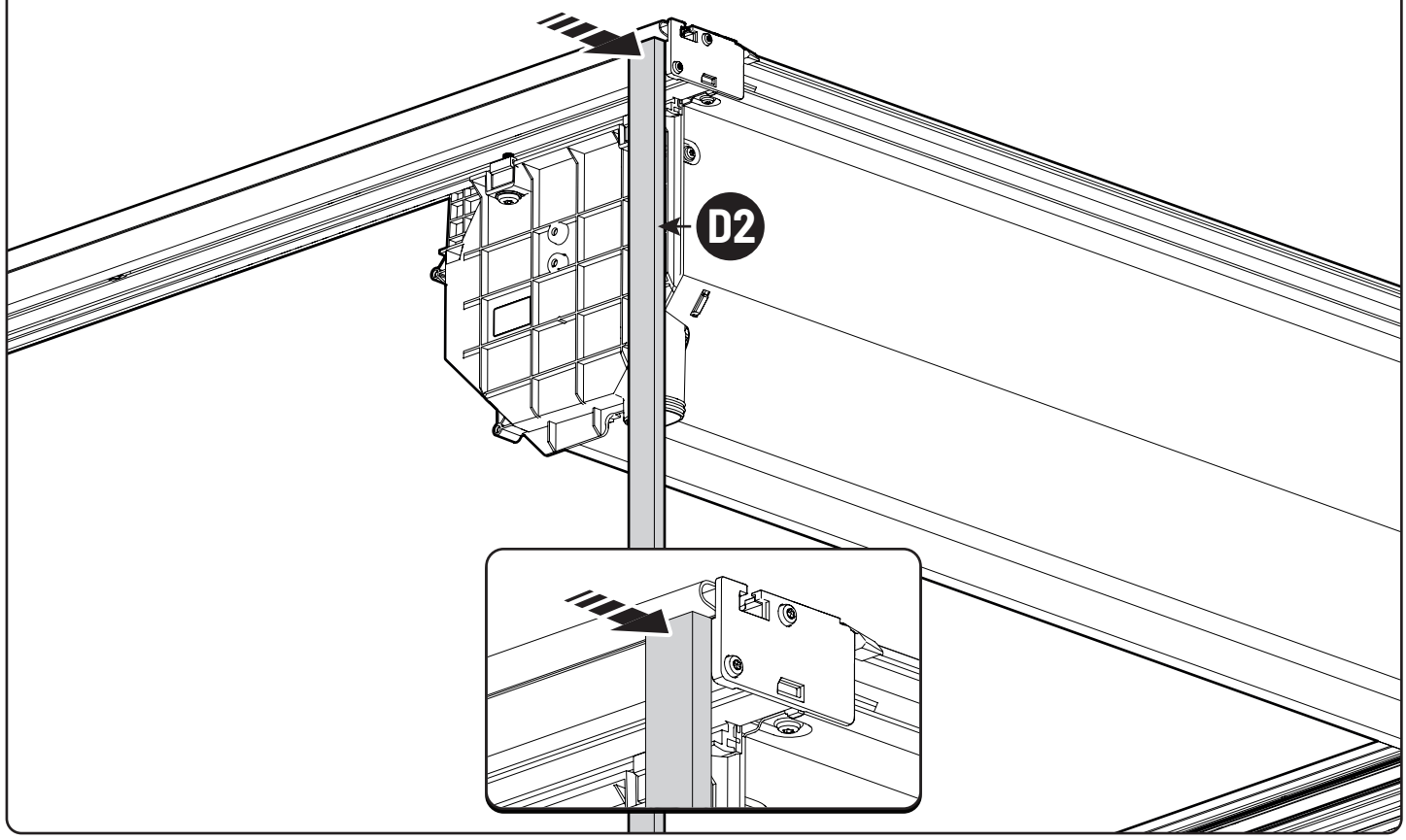
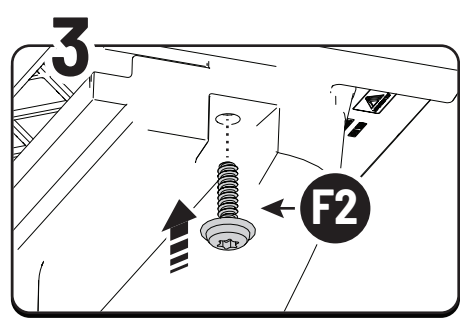
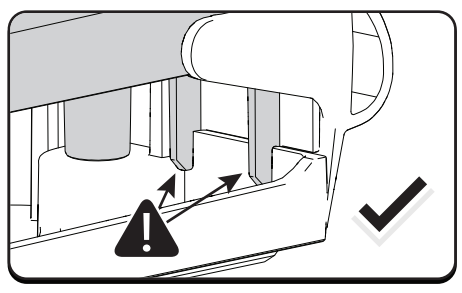
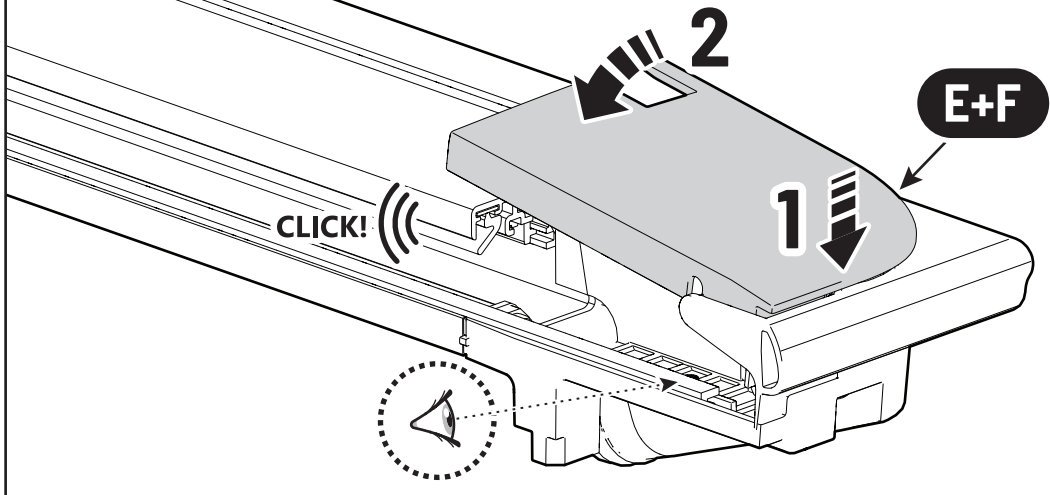


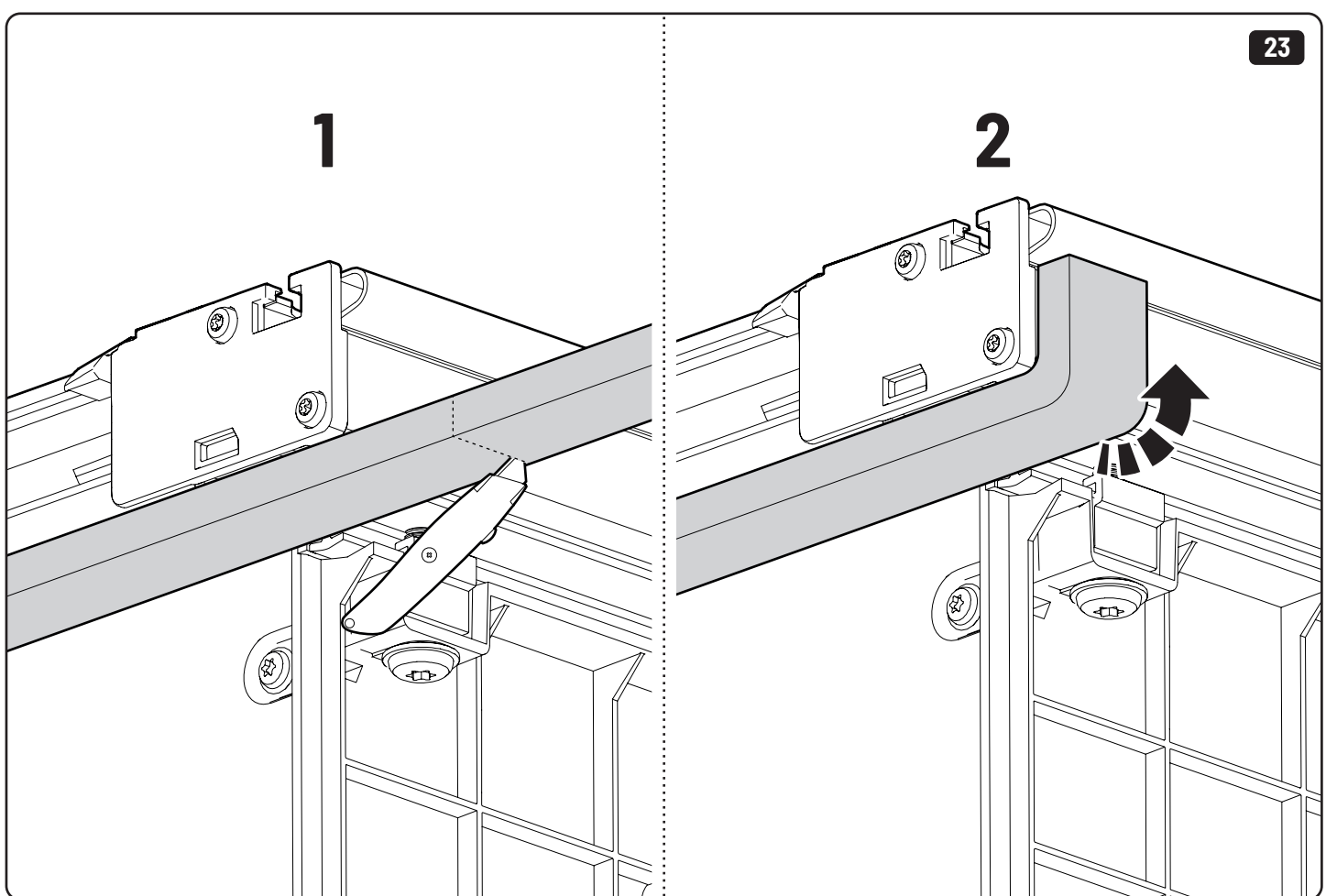
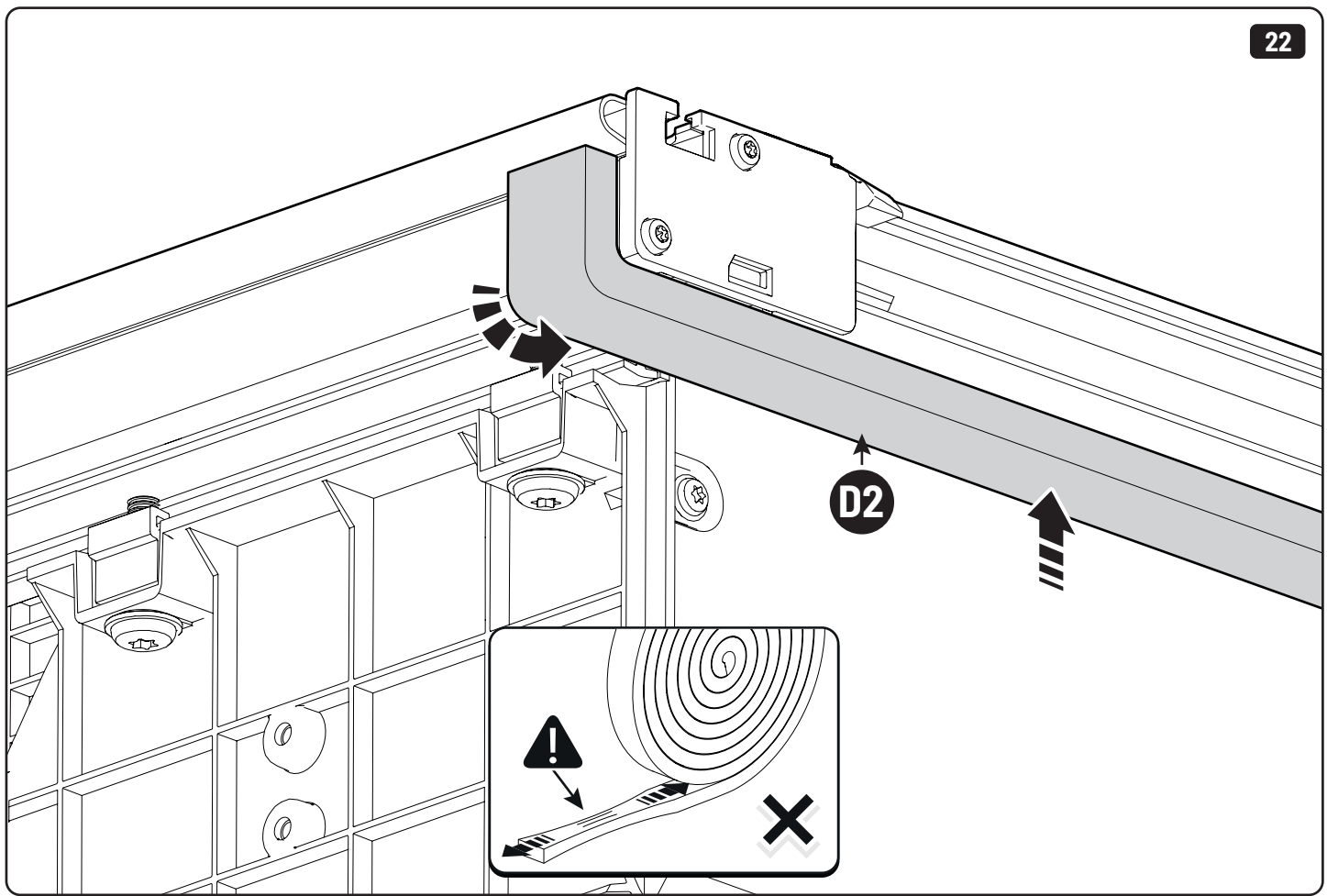


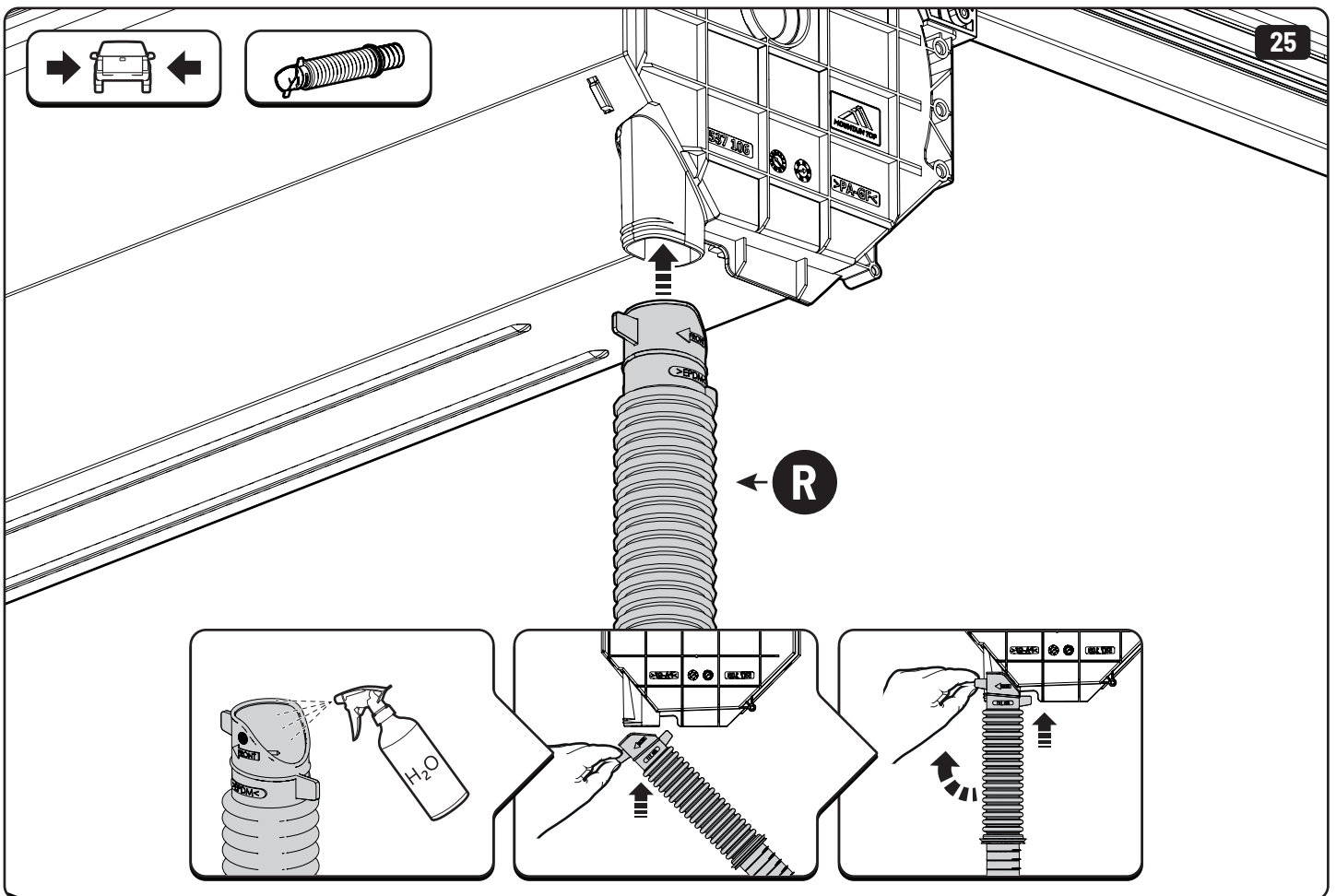
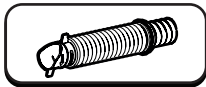
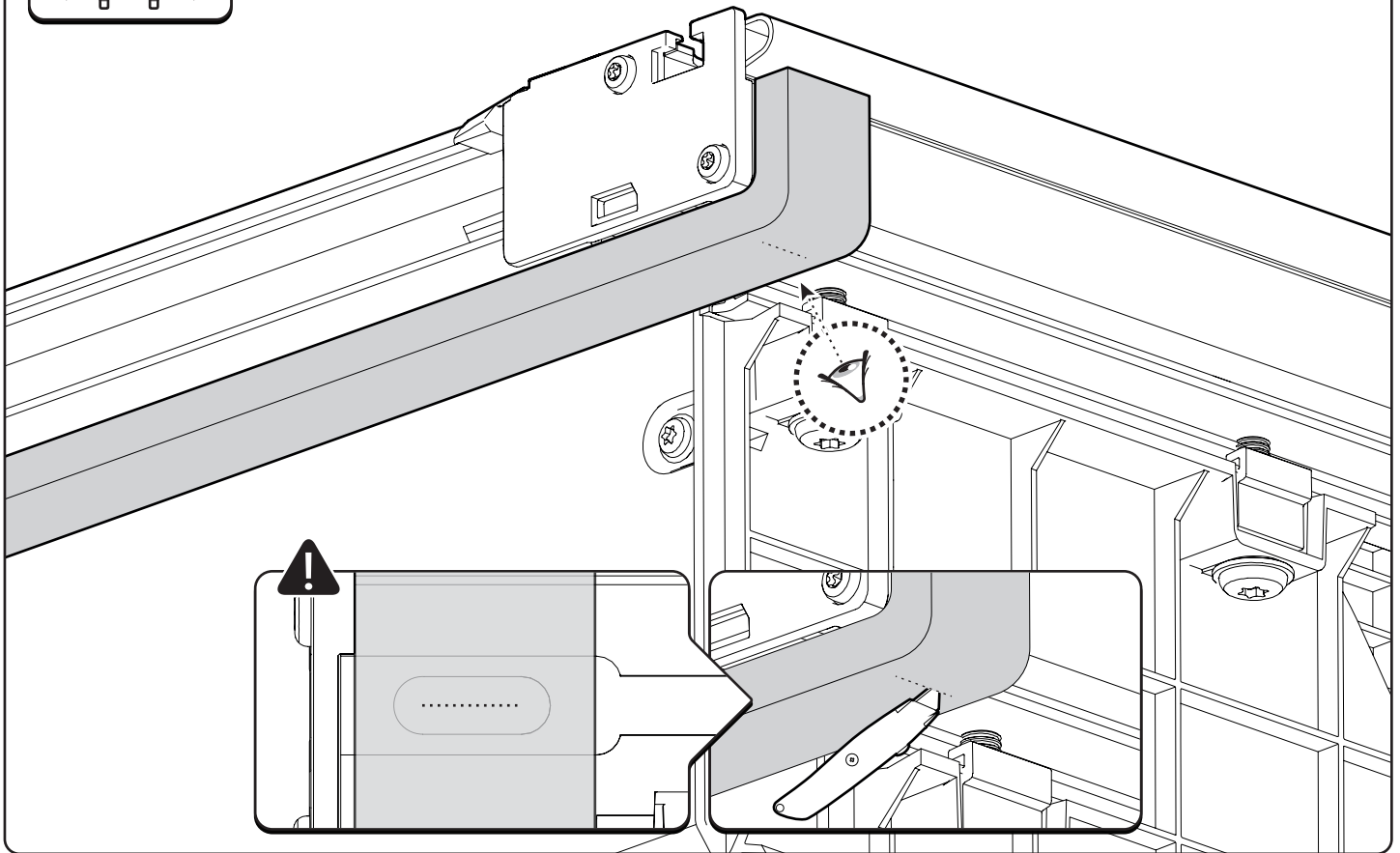


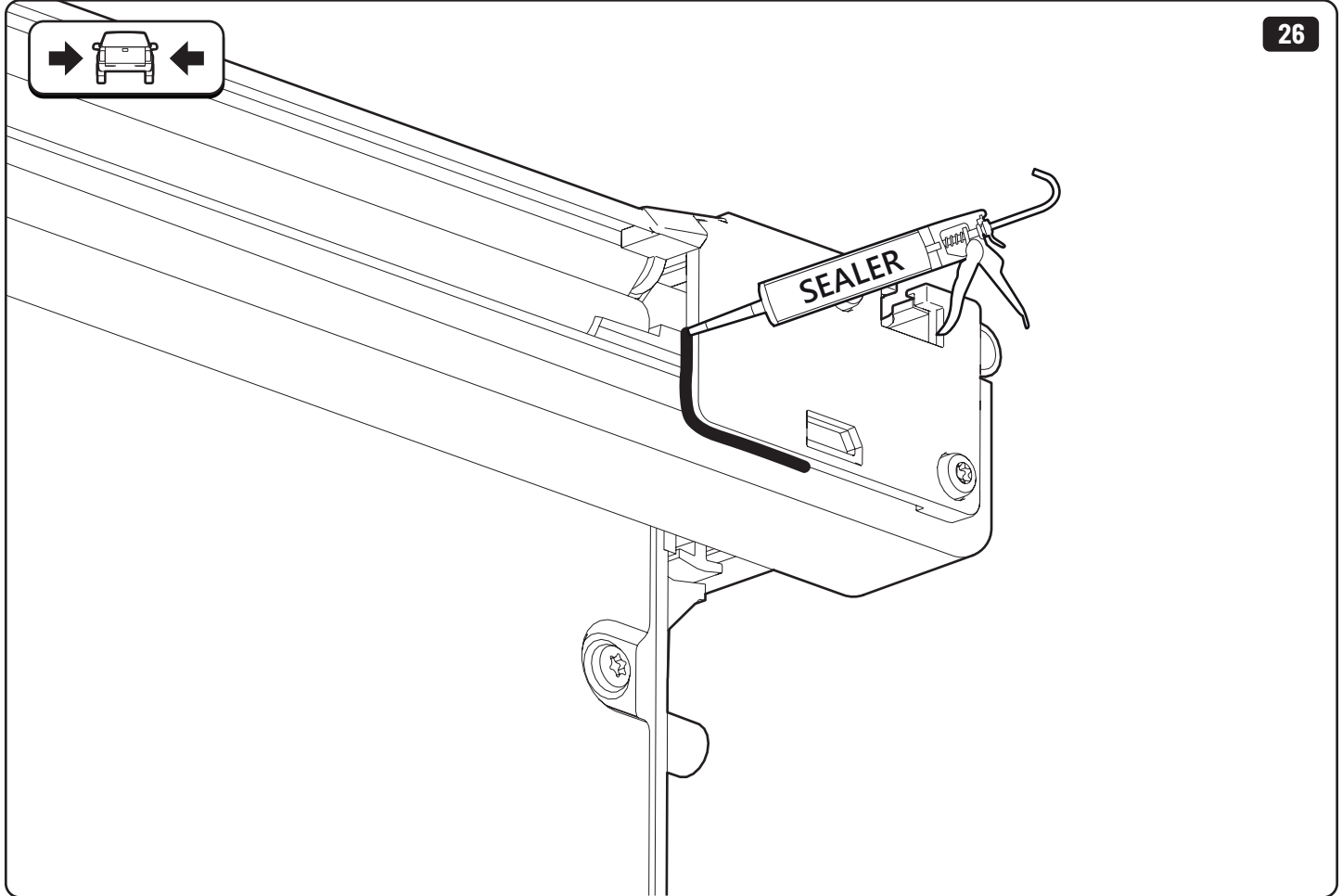


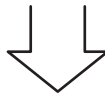
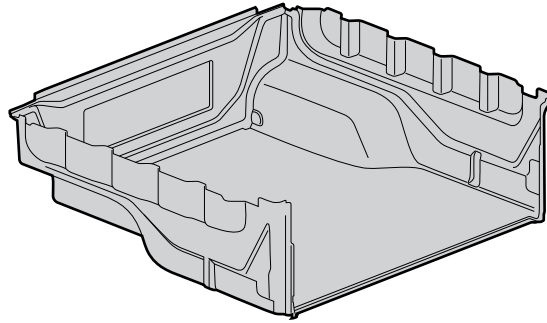
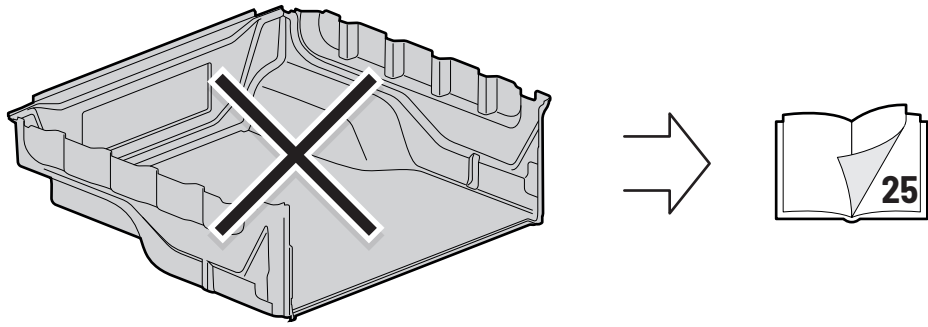
→  ← T20 2,4Nm



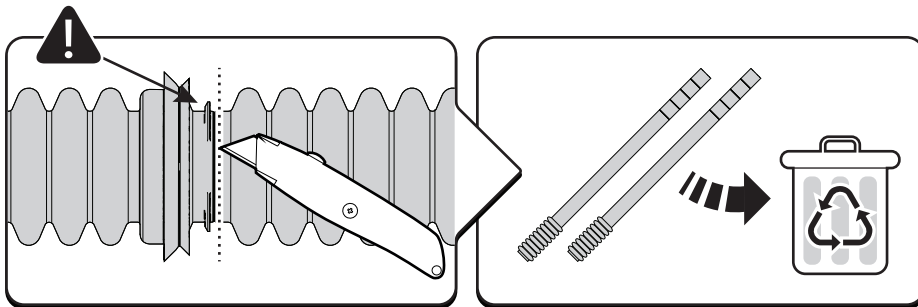
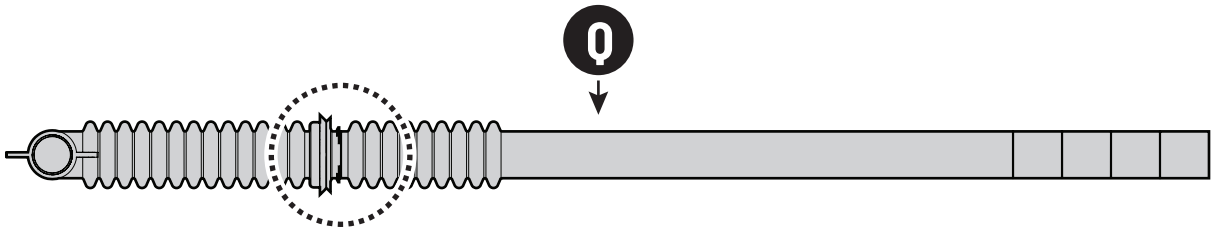


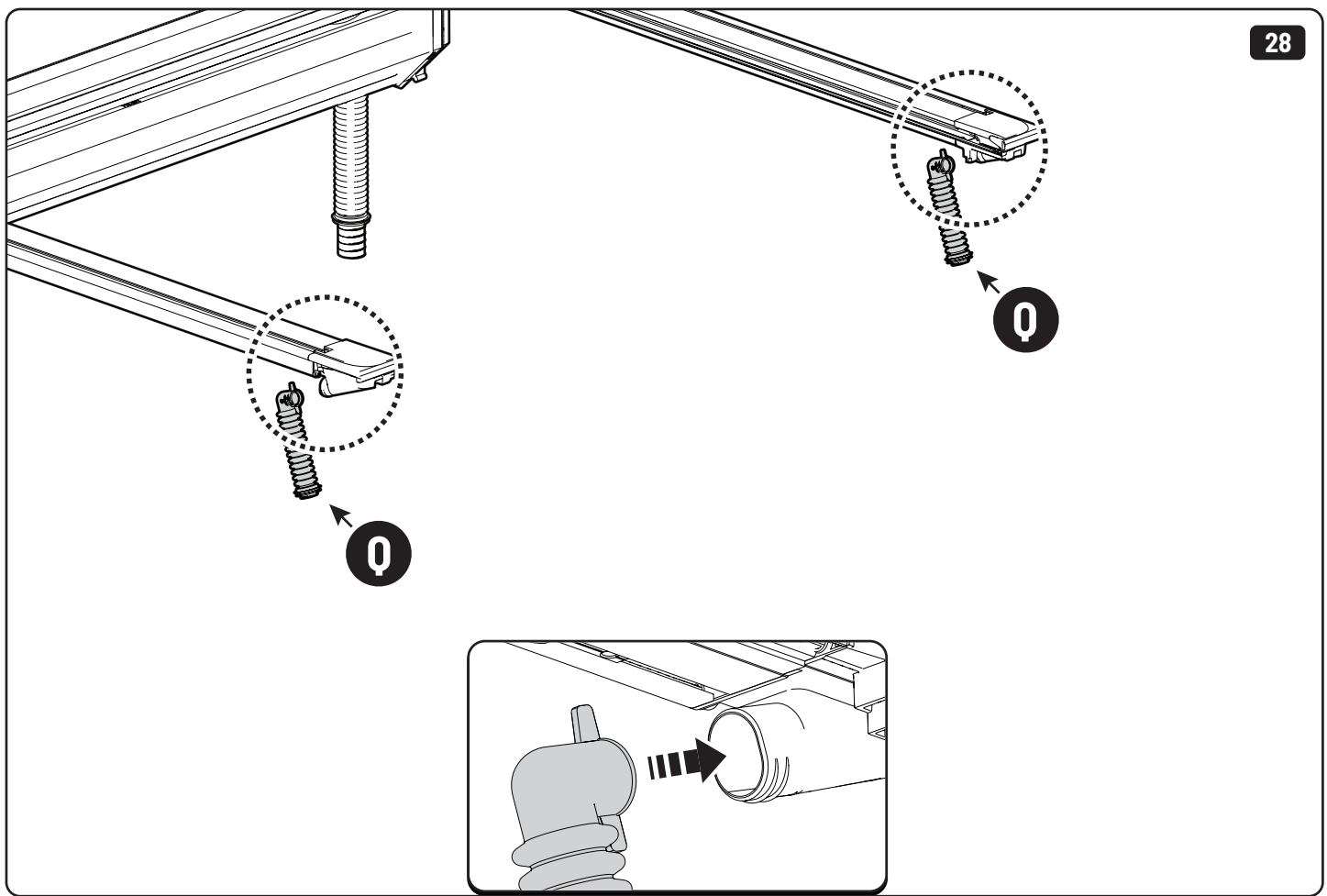




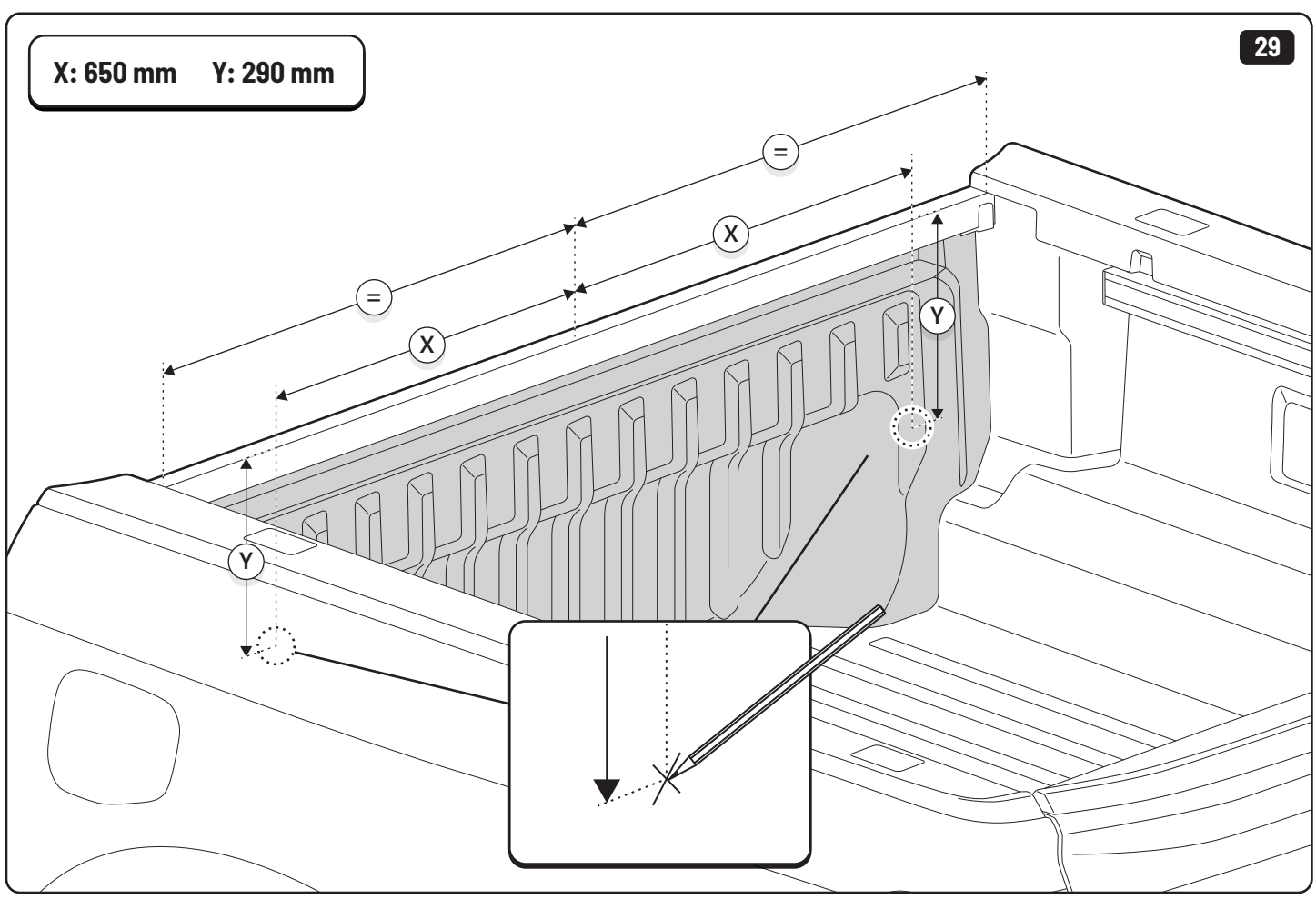


27

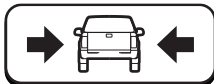




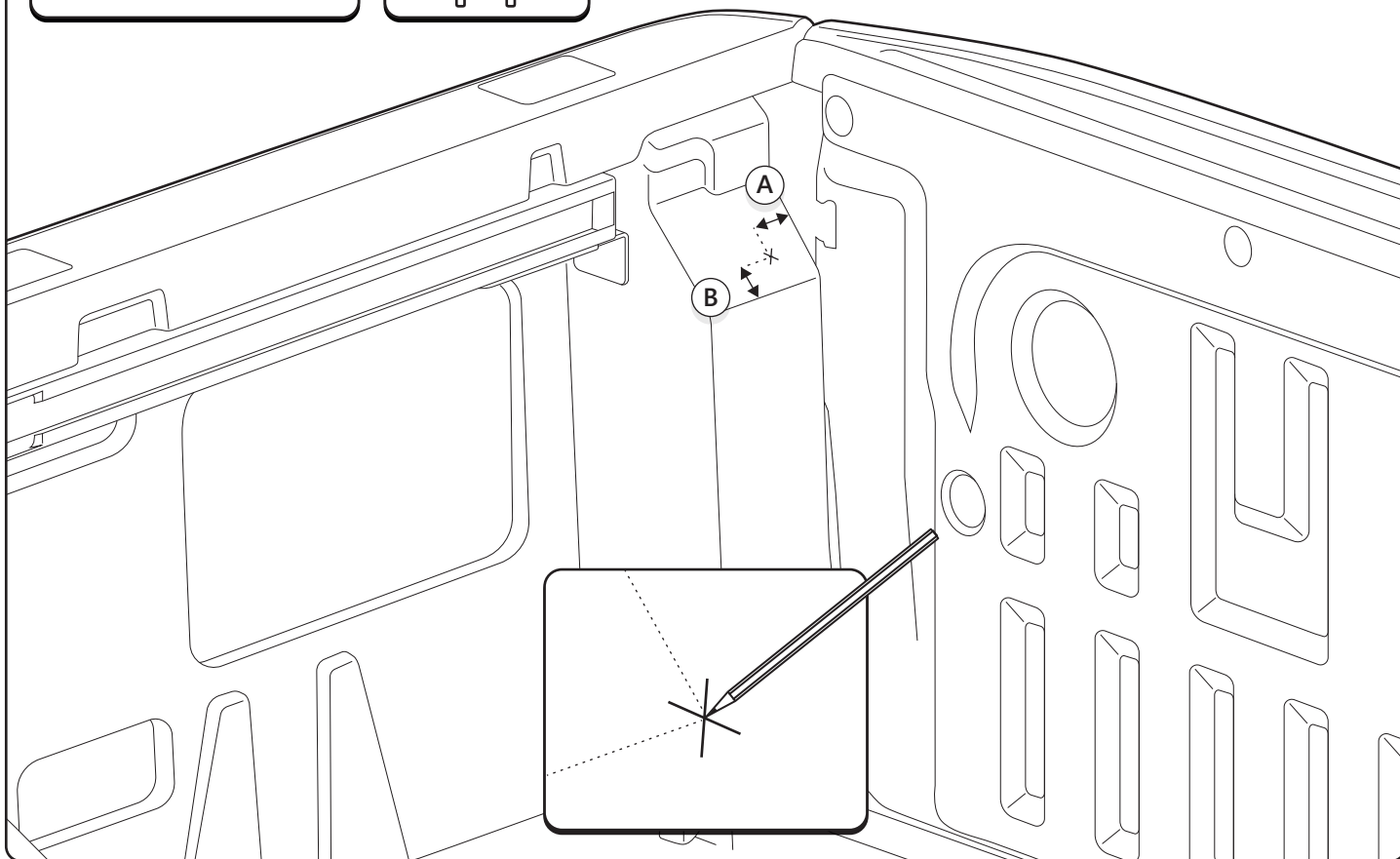
X: 650 mm Y: 290 mm



A: 30 mm B: 20 mm

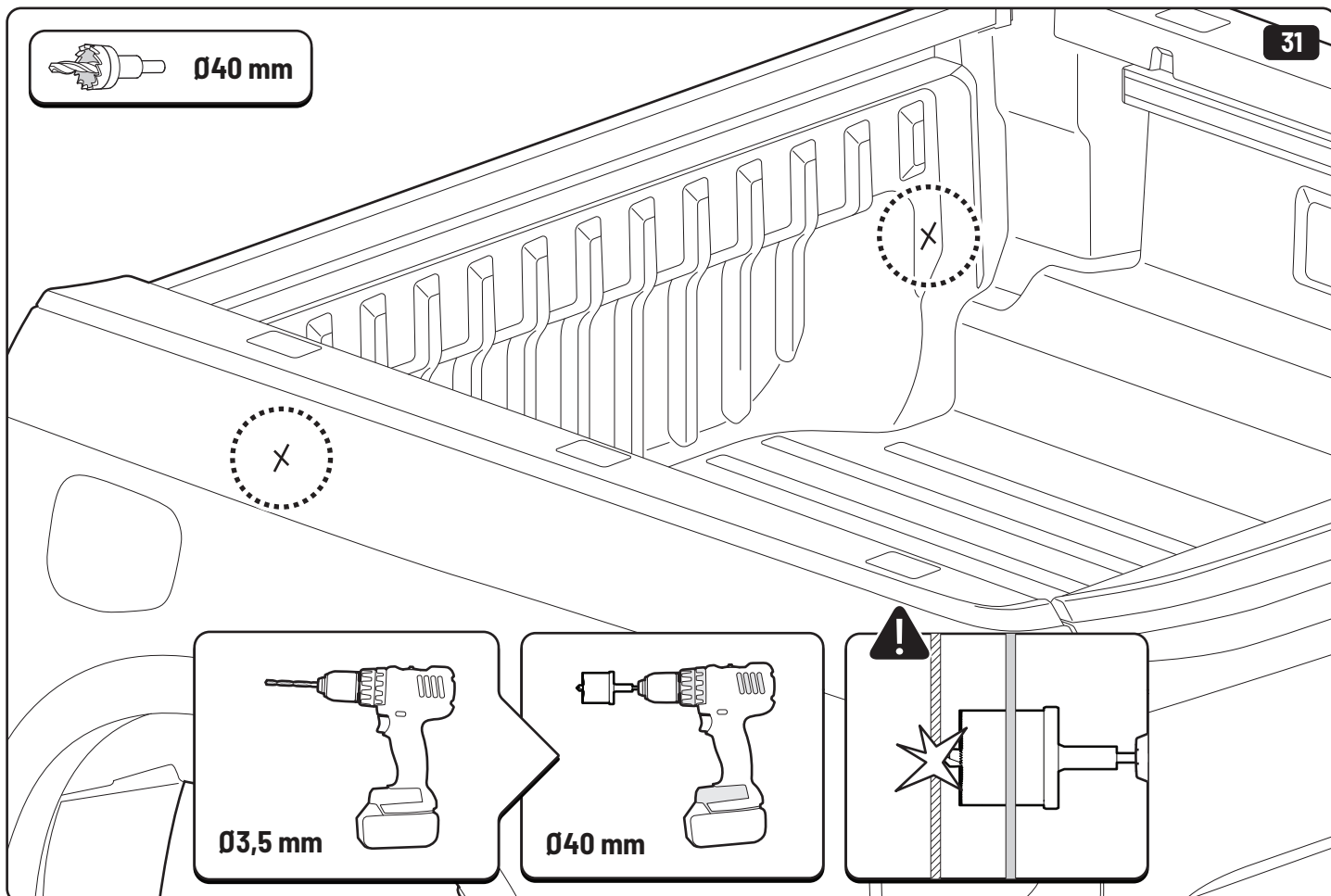


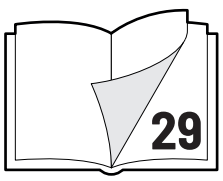
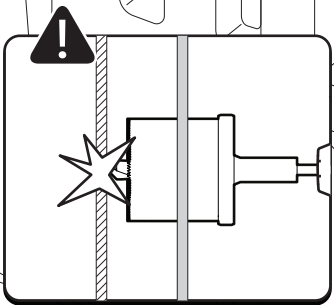
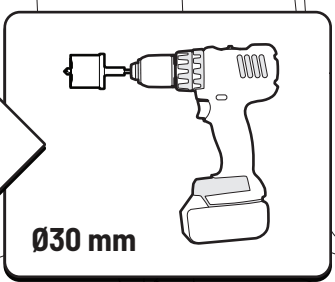
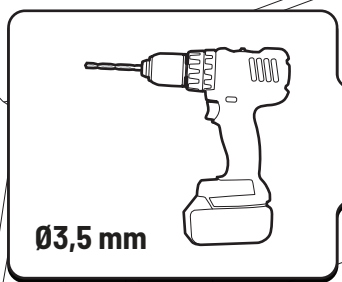
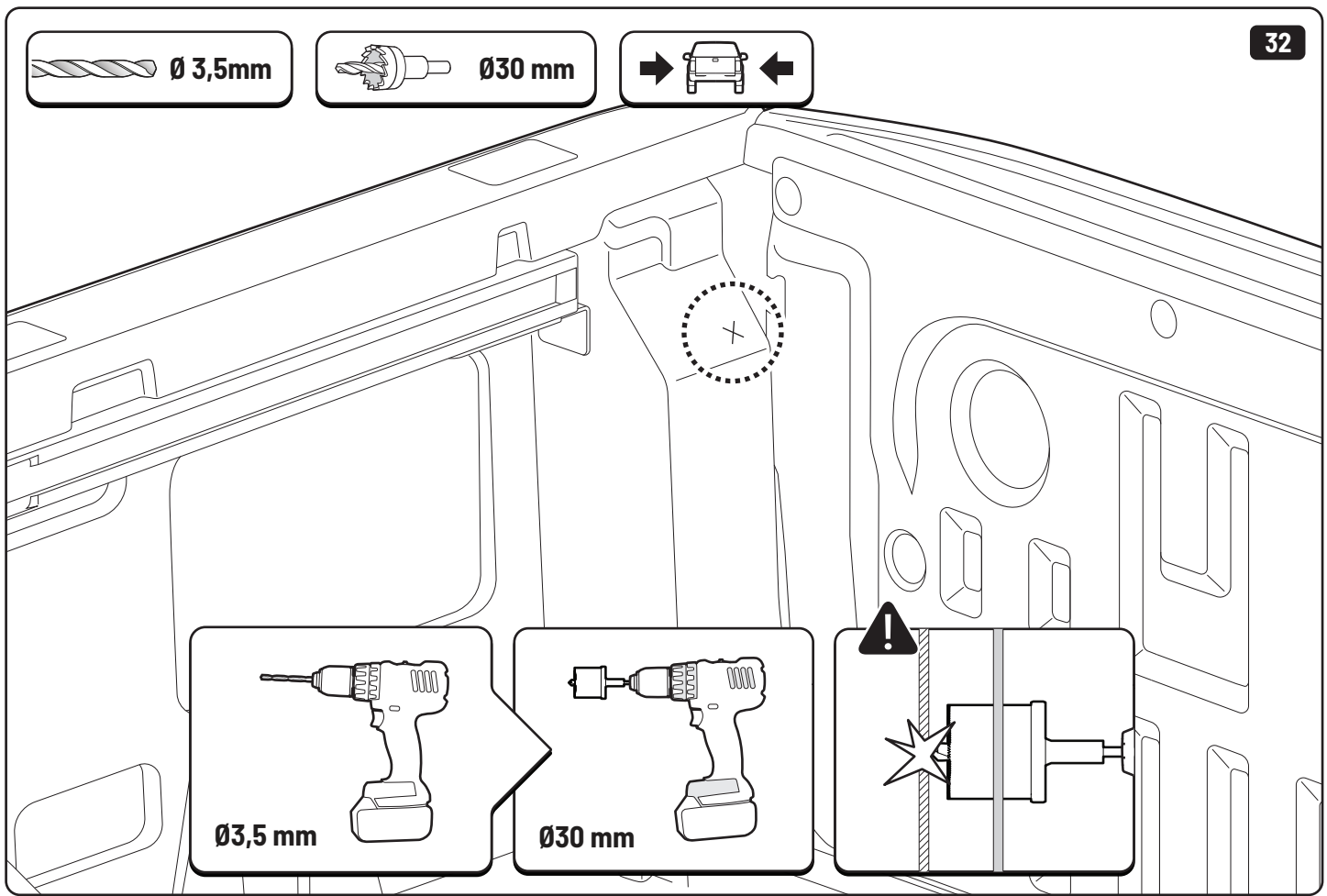
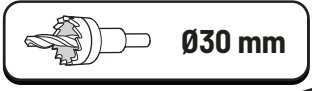
30

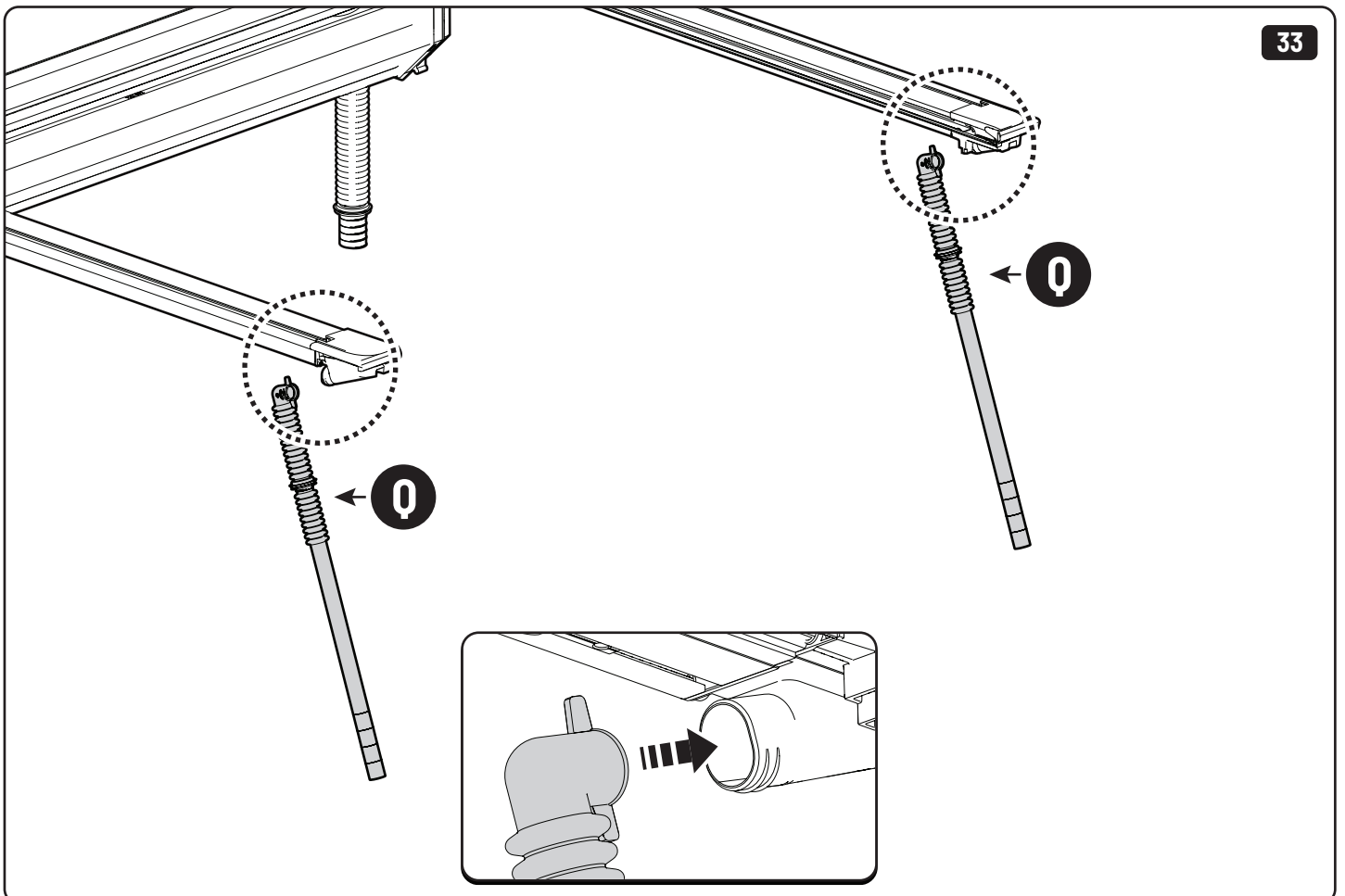
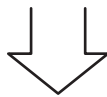
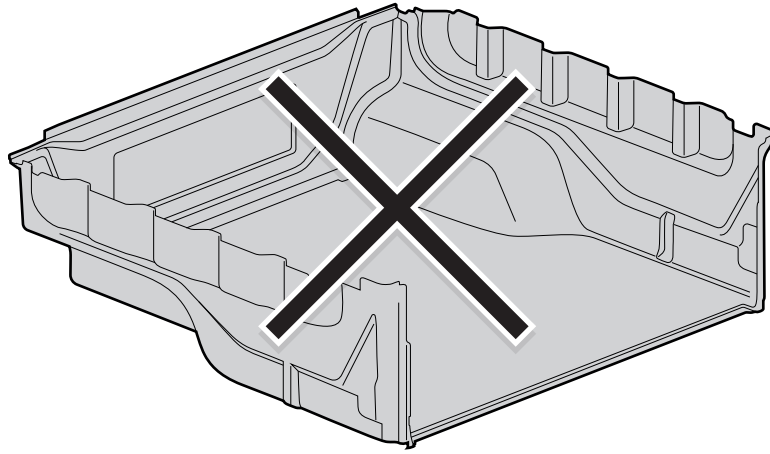


 Ø40 mm

31

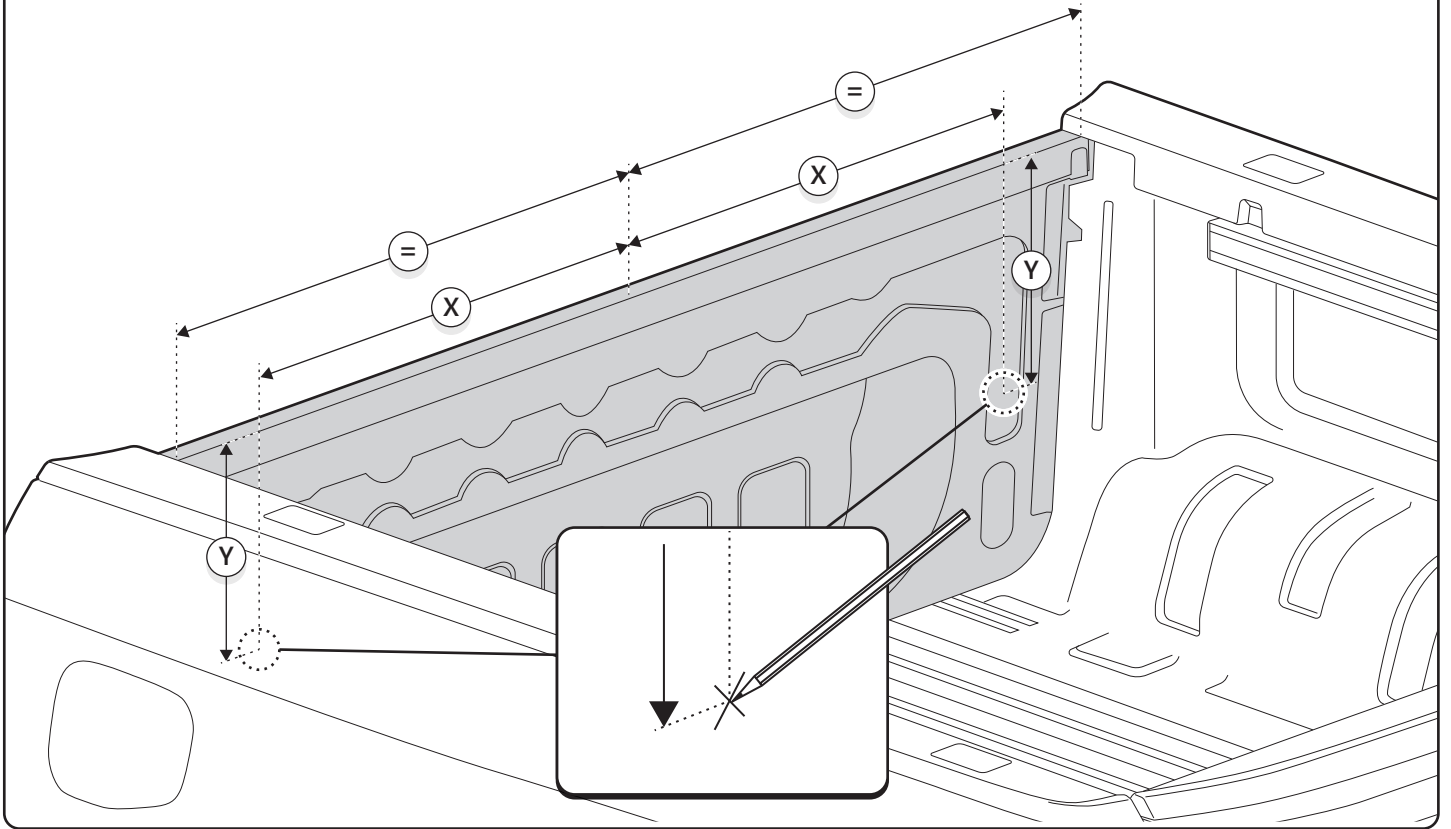






X: 650 mm Y: 290 mm

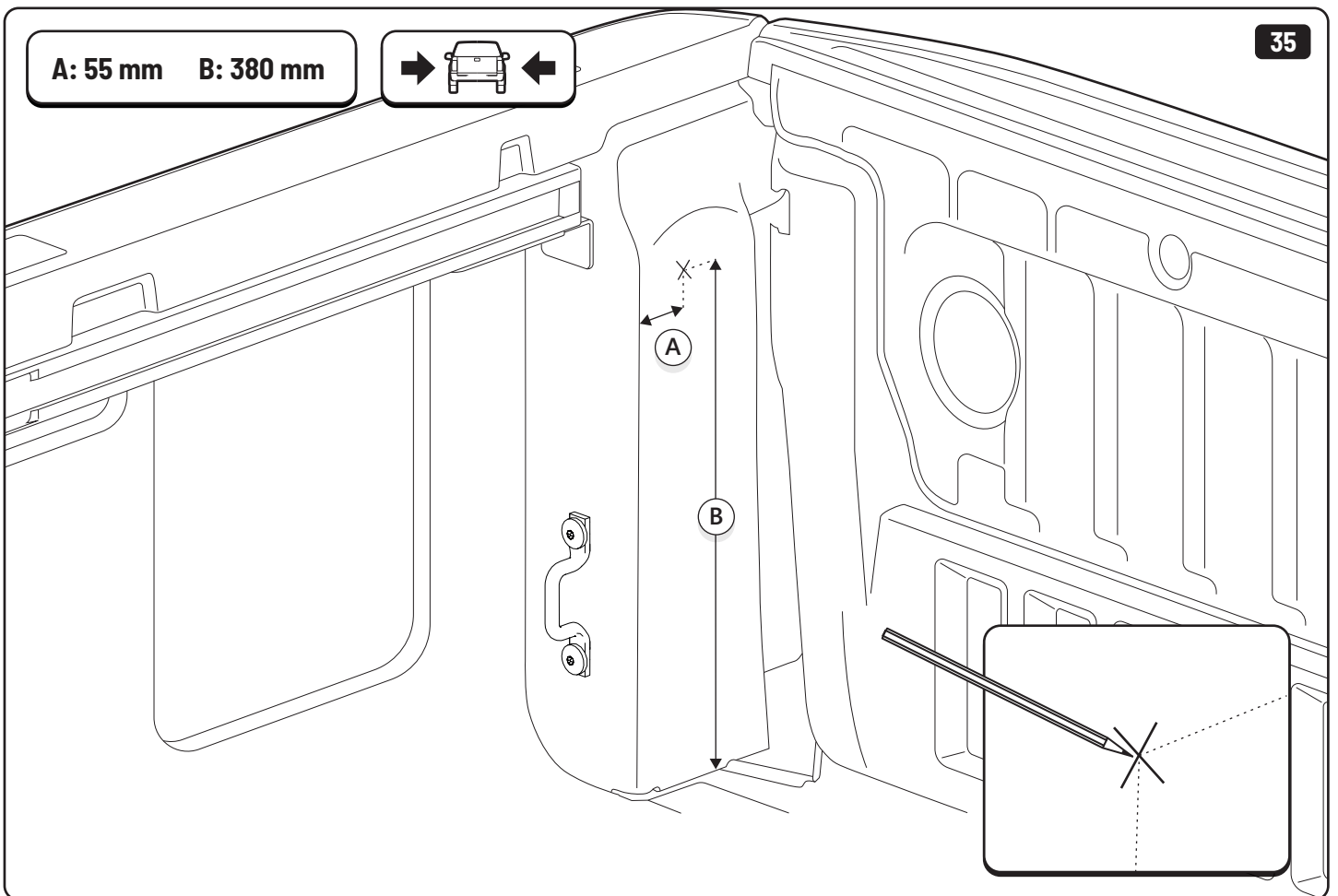
34




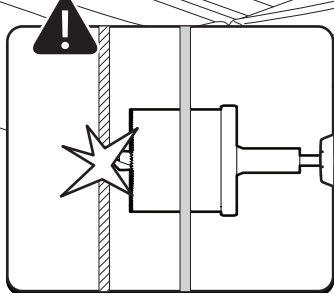
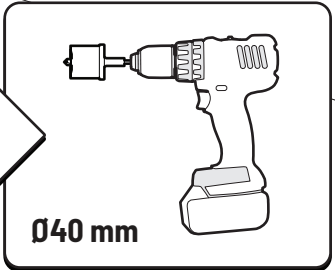
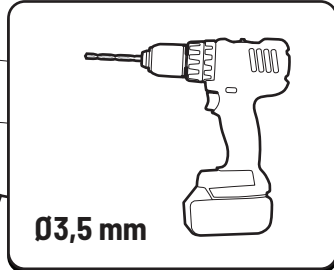
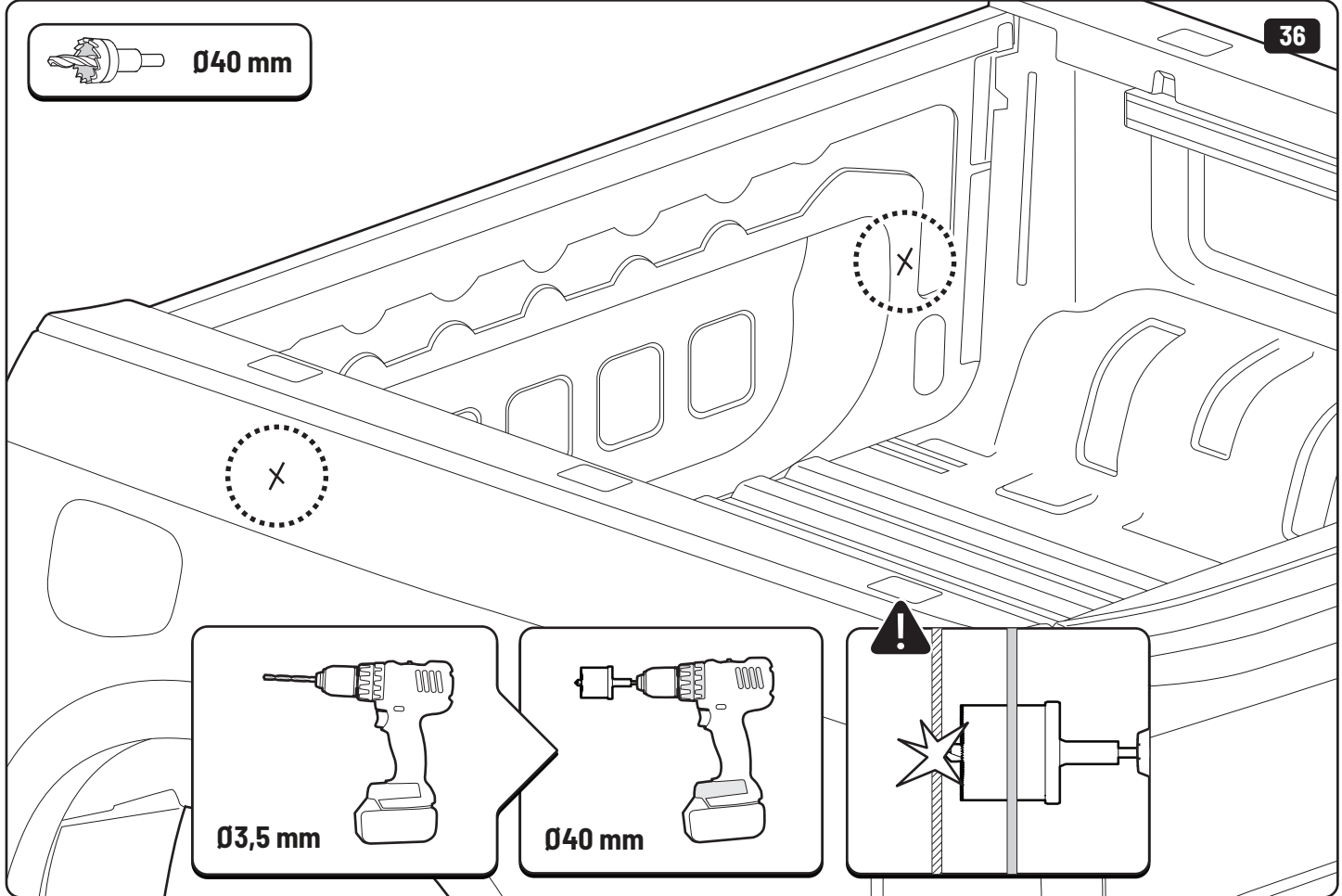
A: 55 mm B: 380 mm



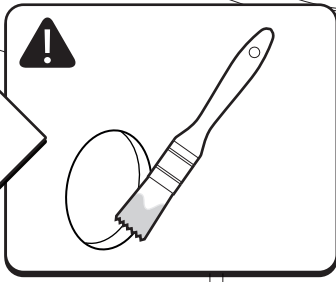
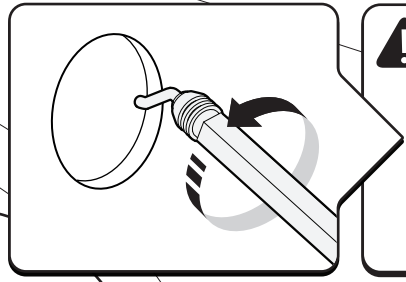
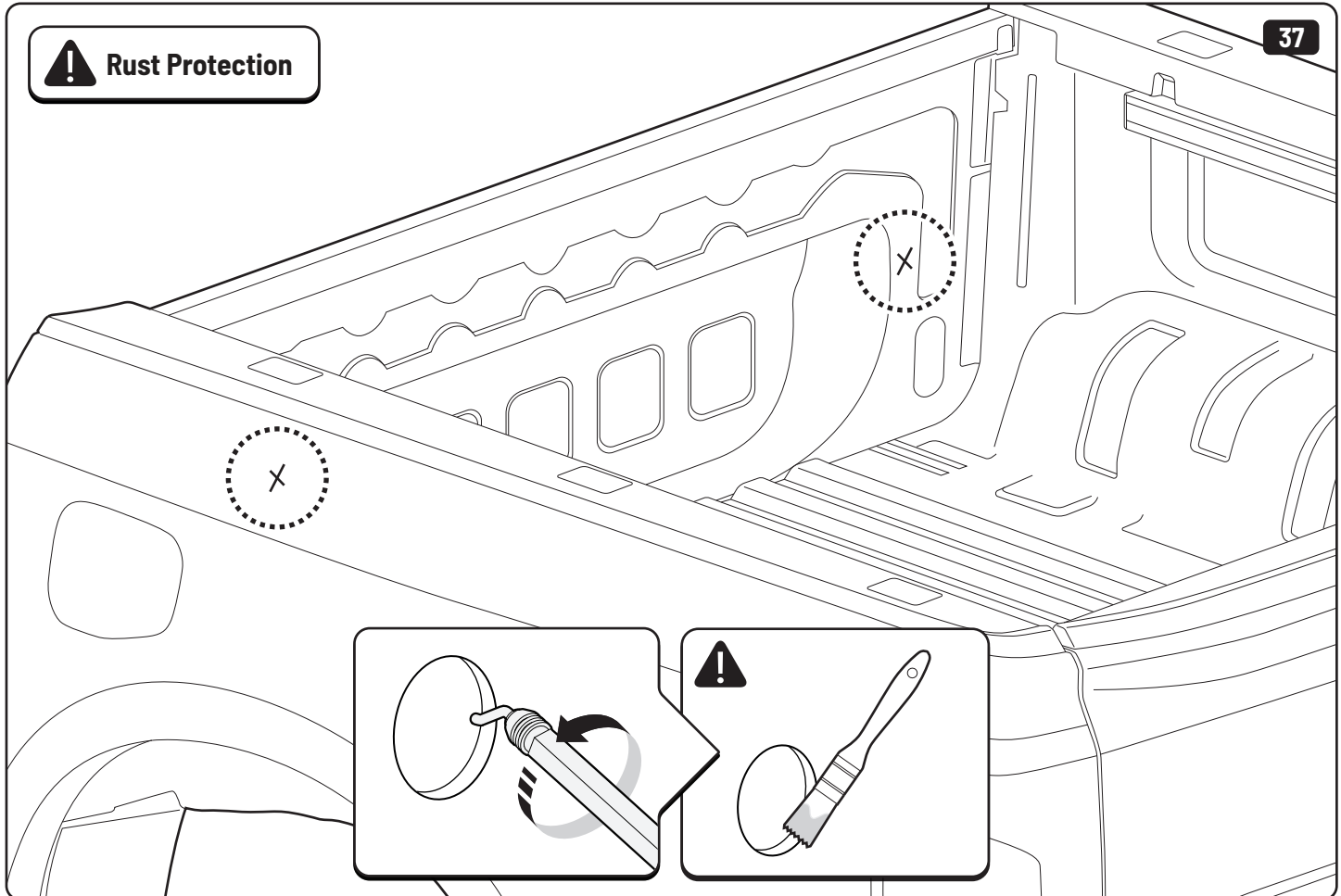
35

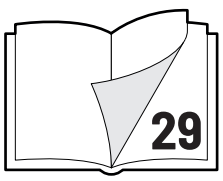
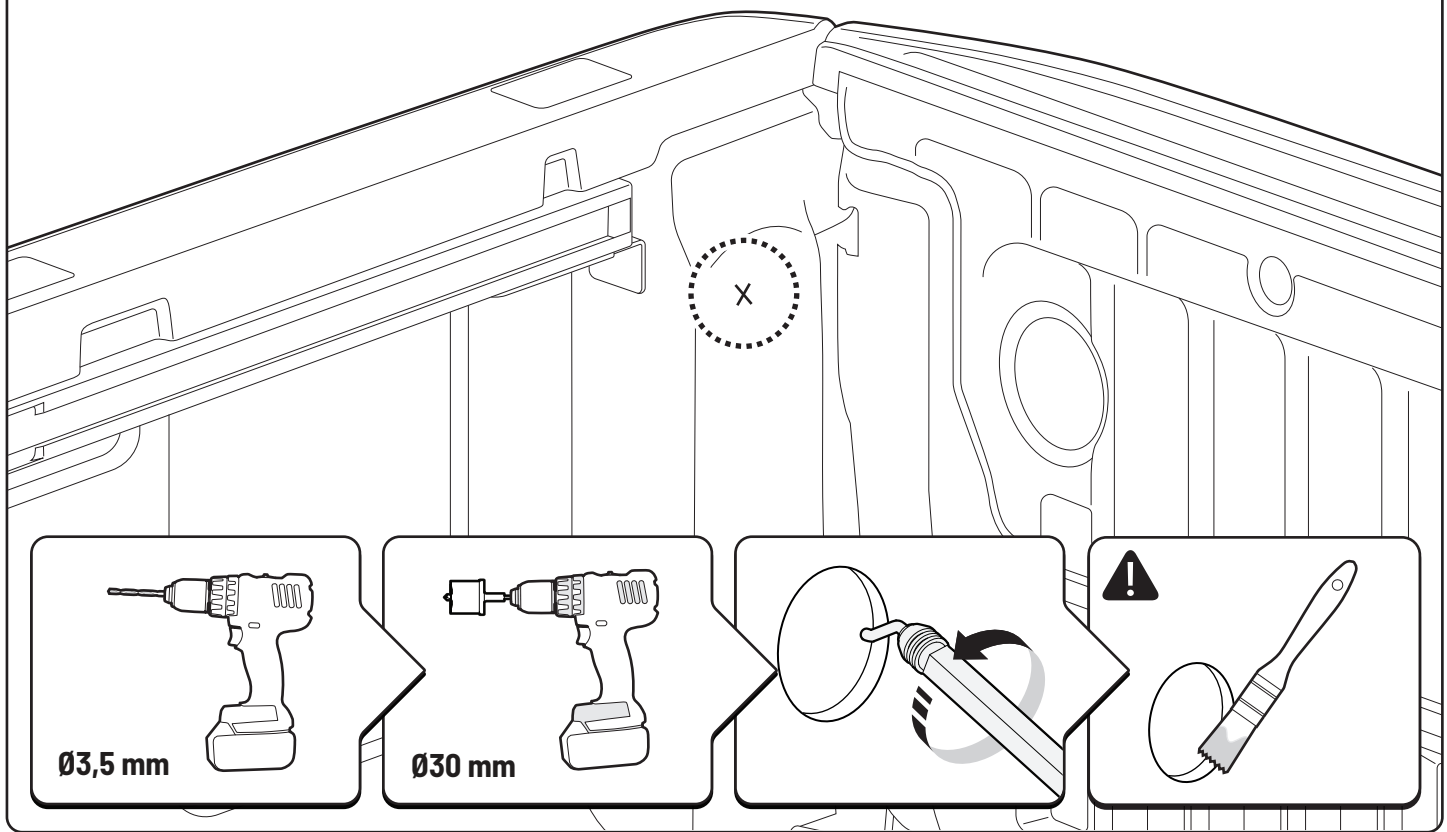
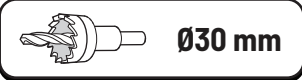


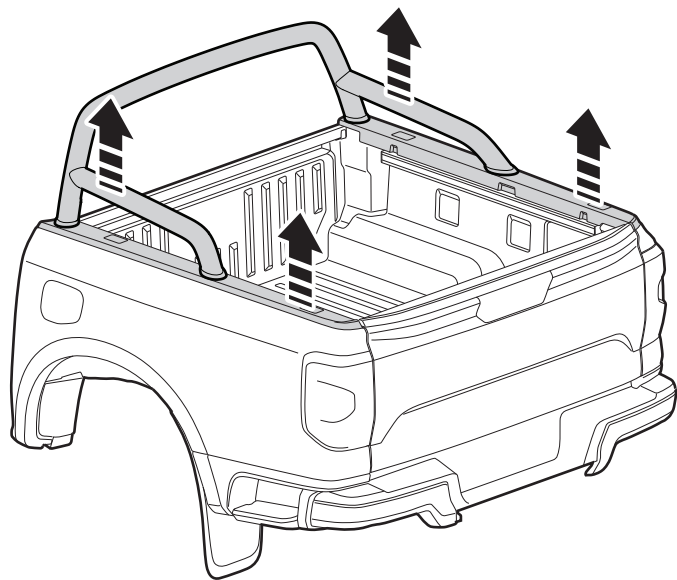
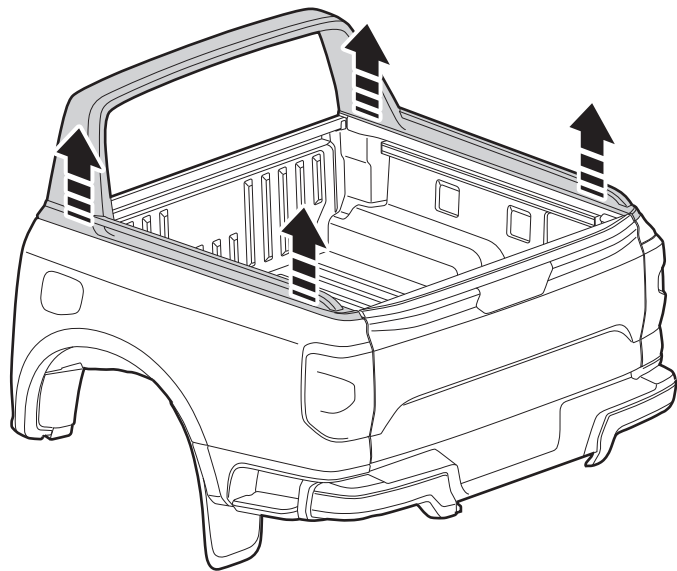
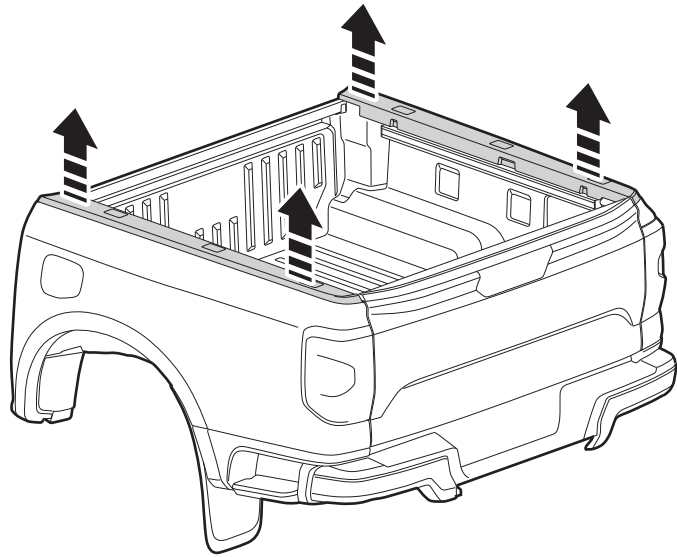
 **Ø40 mm**

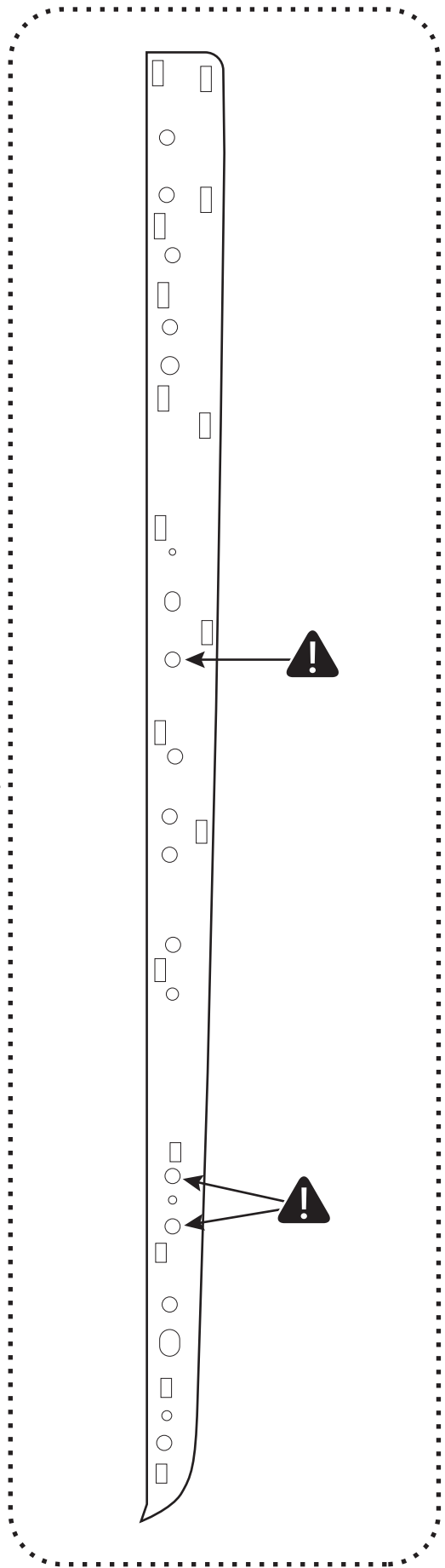
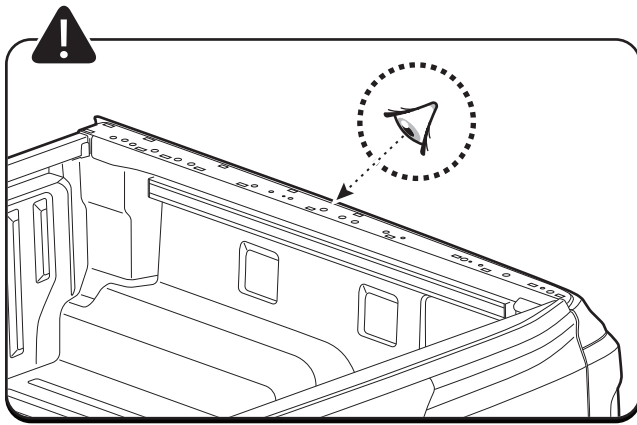


 **Rust Protection**

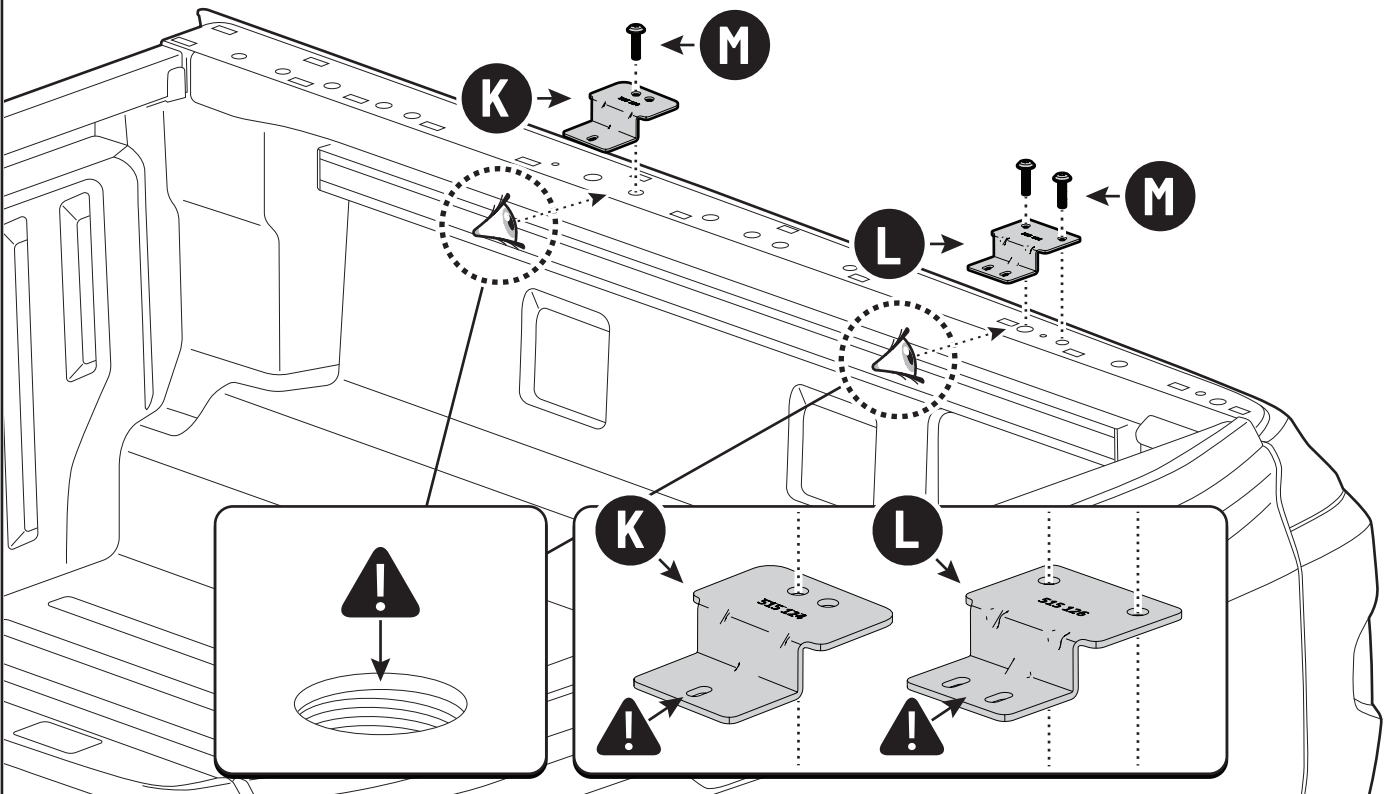






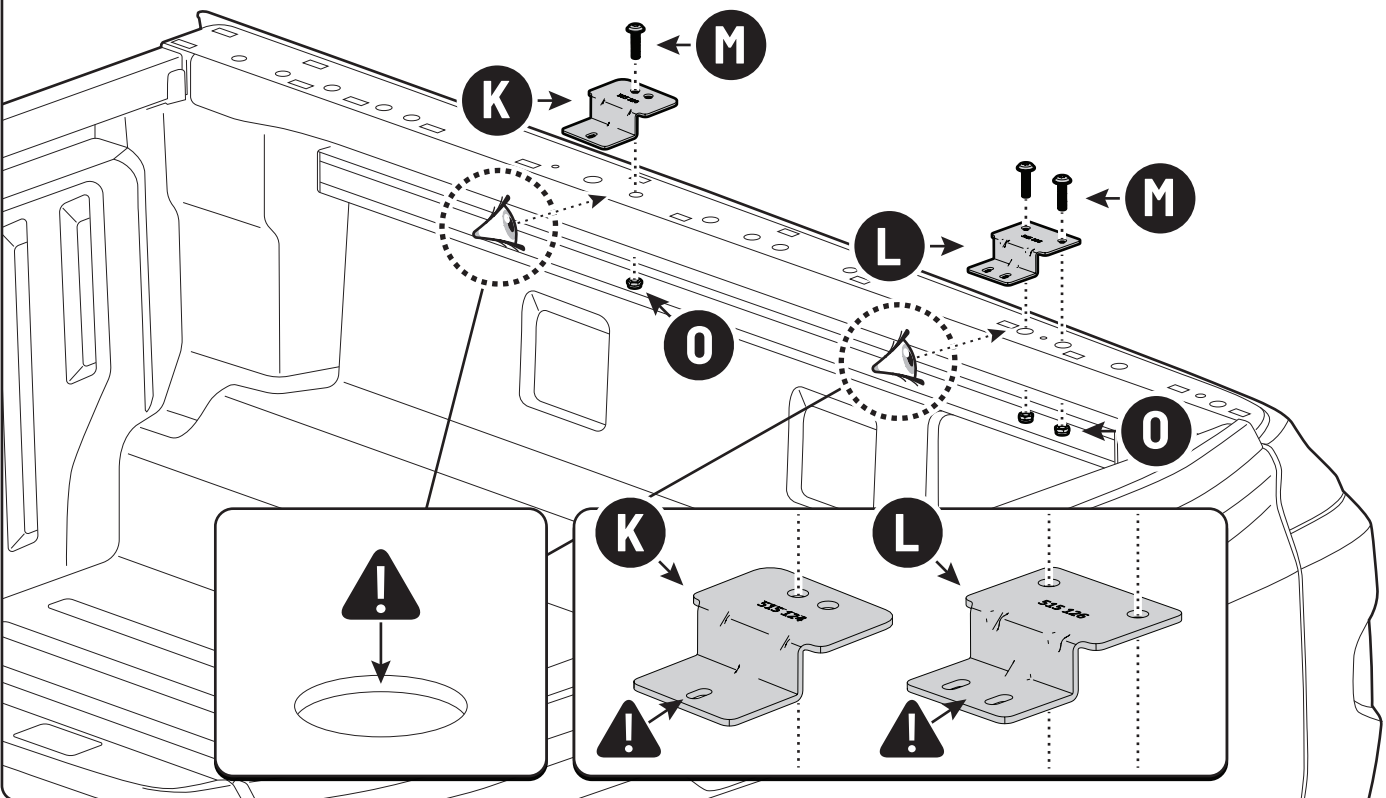


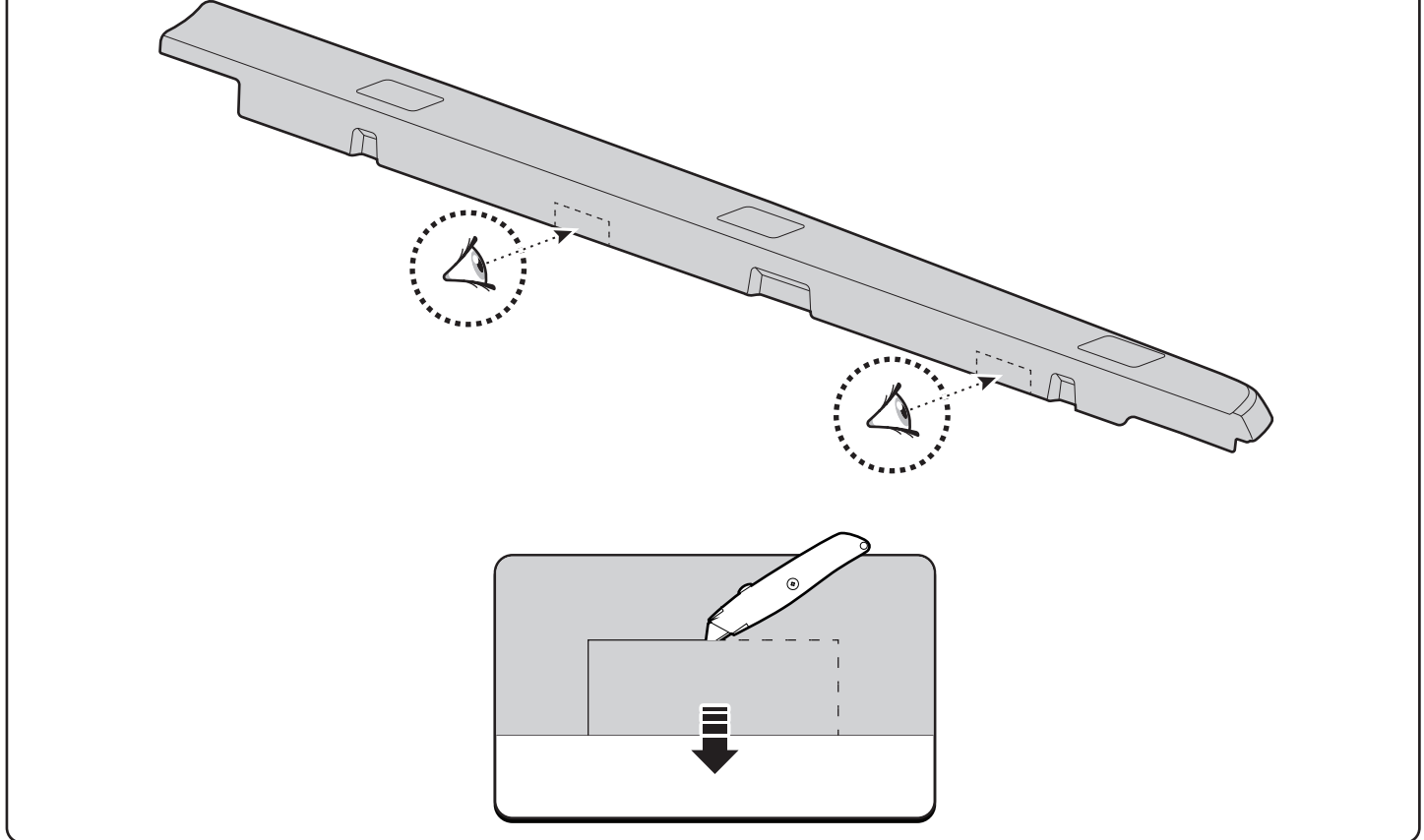
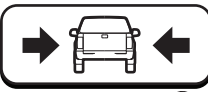
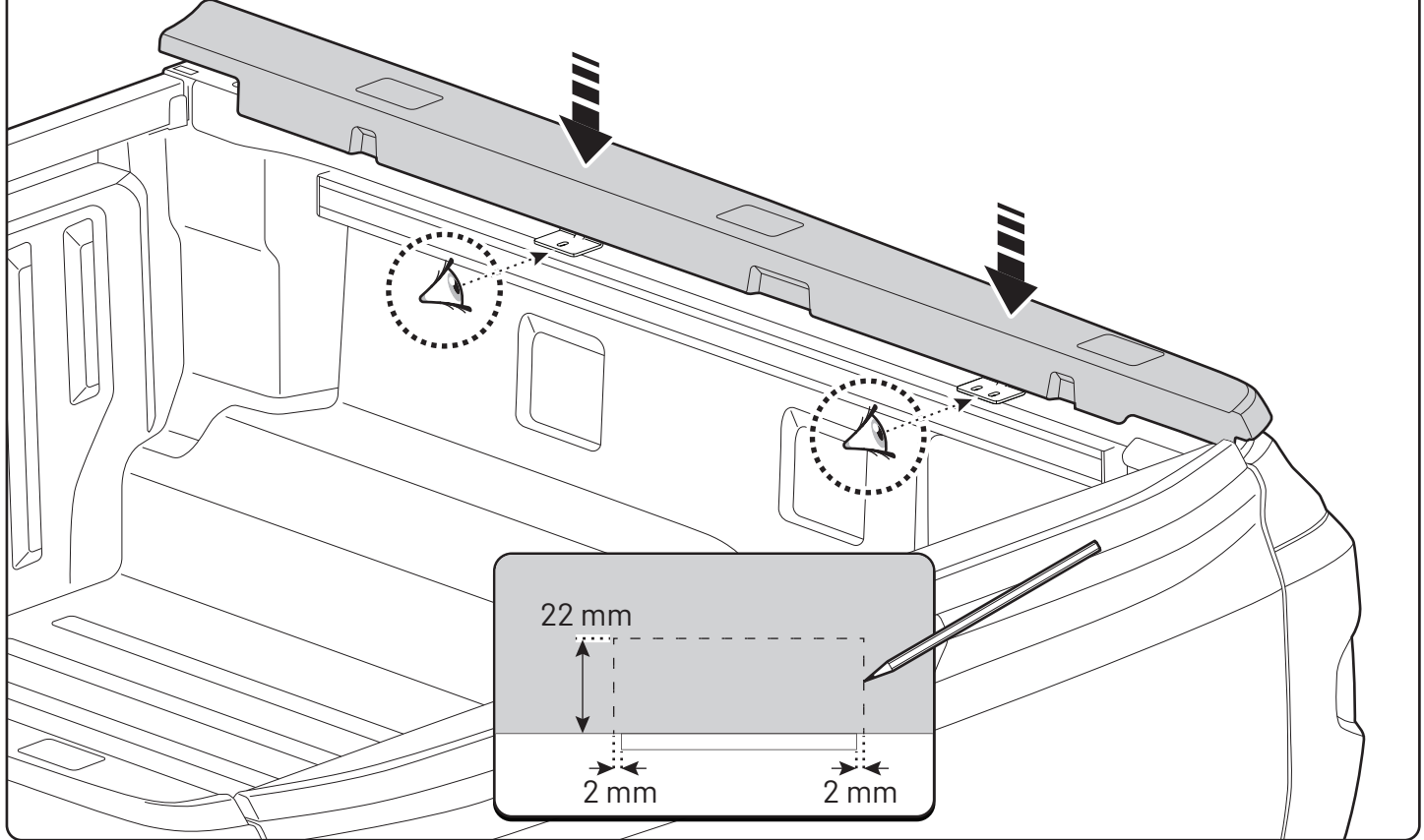
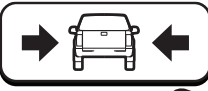
 T45 **25 Nm**

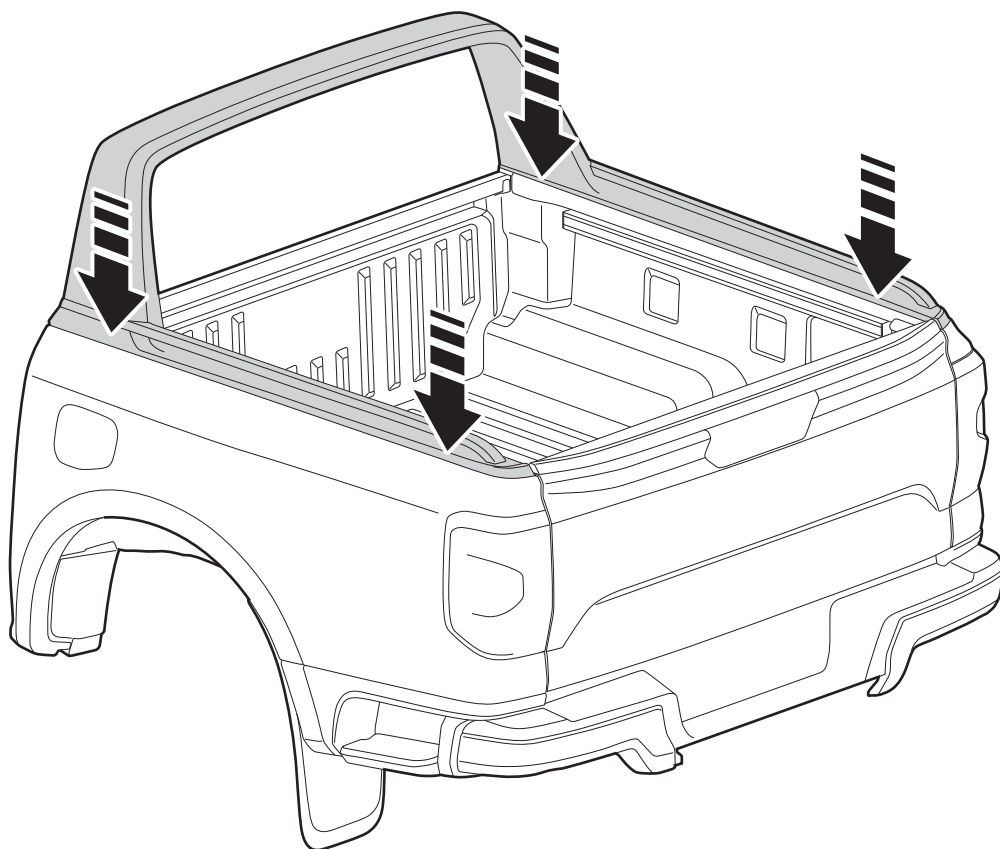
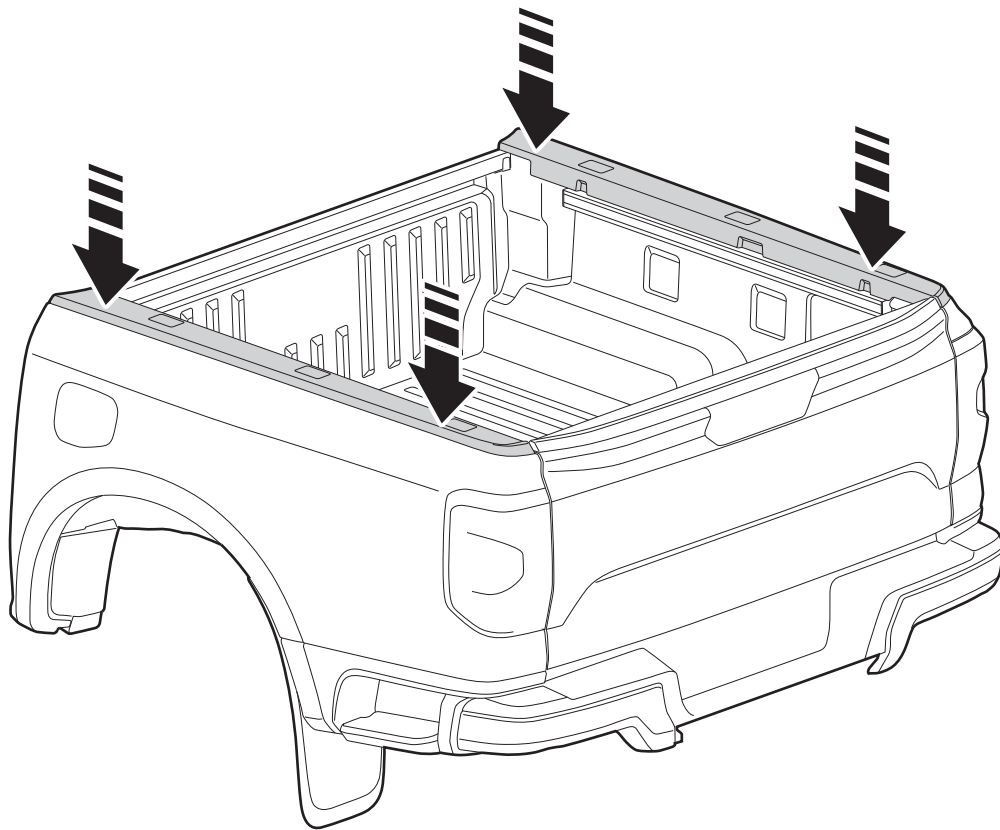


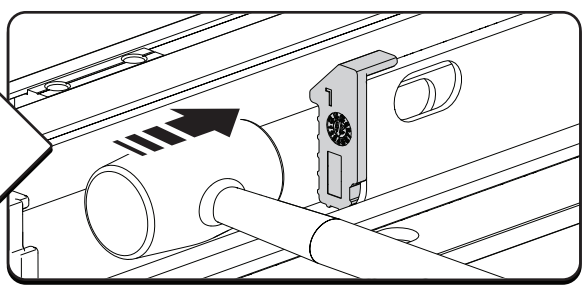
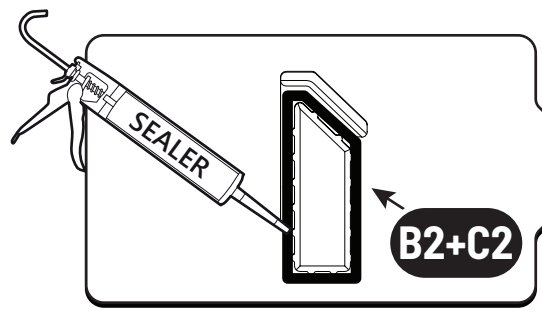
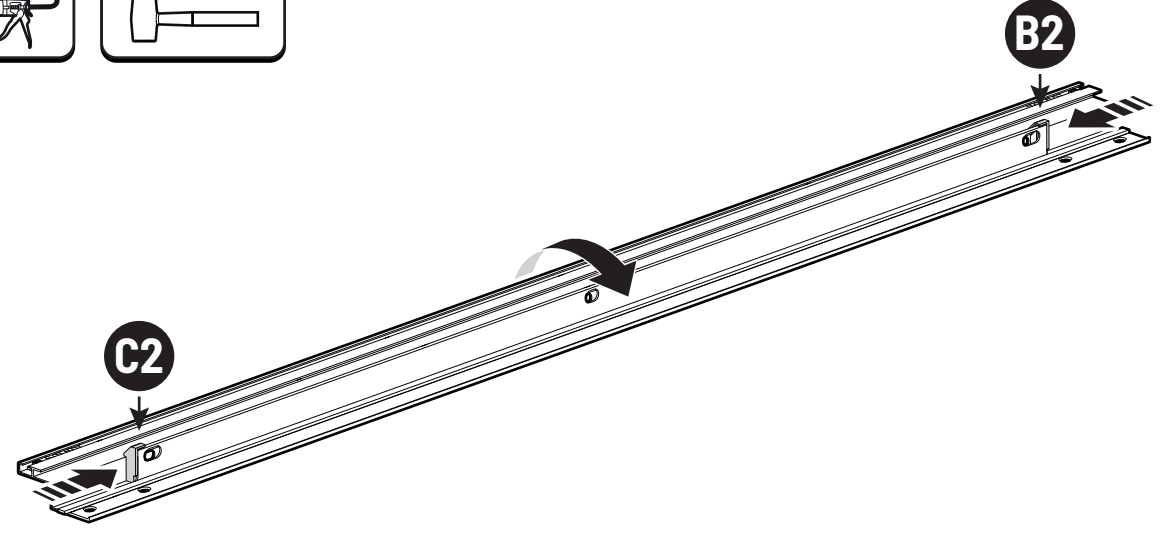
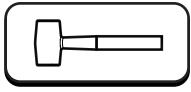
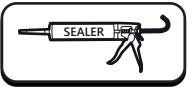
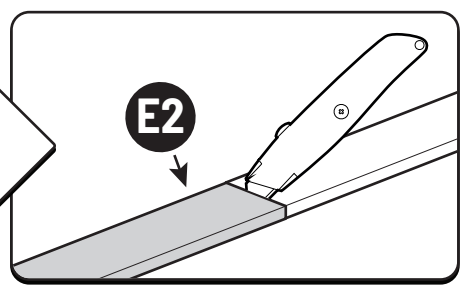
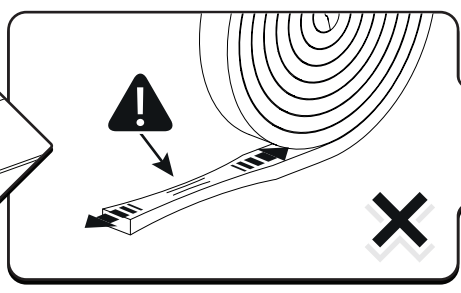
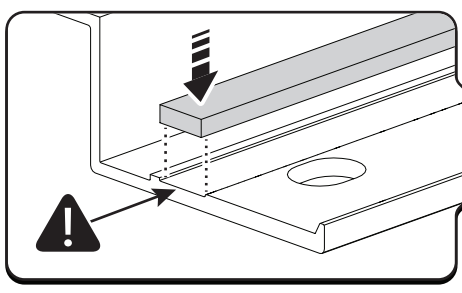
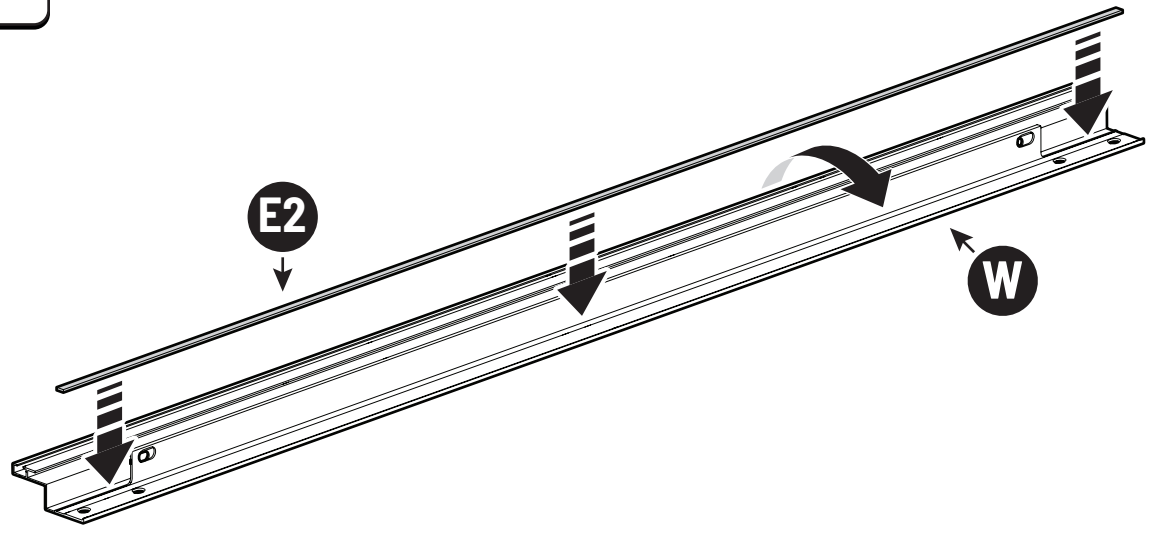
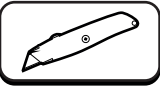
 13 mm

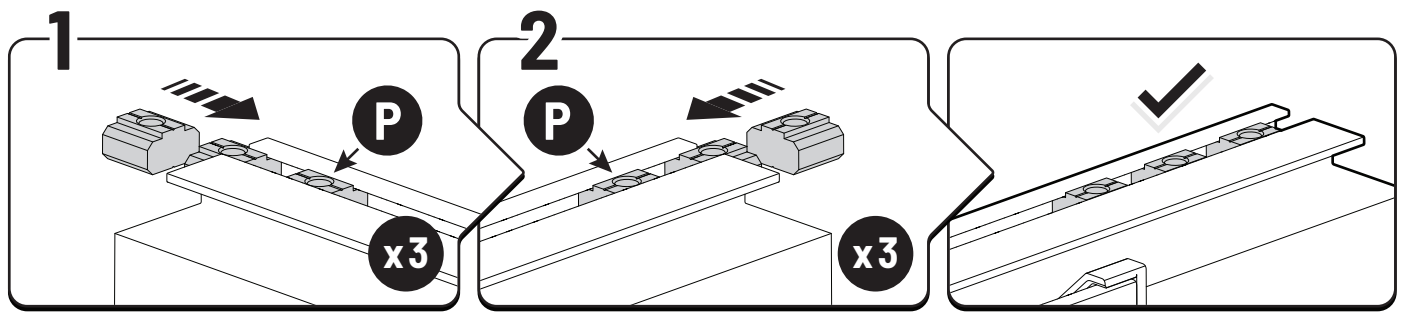
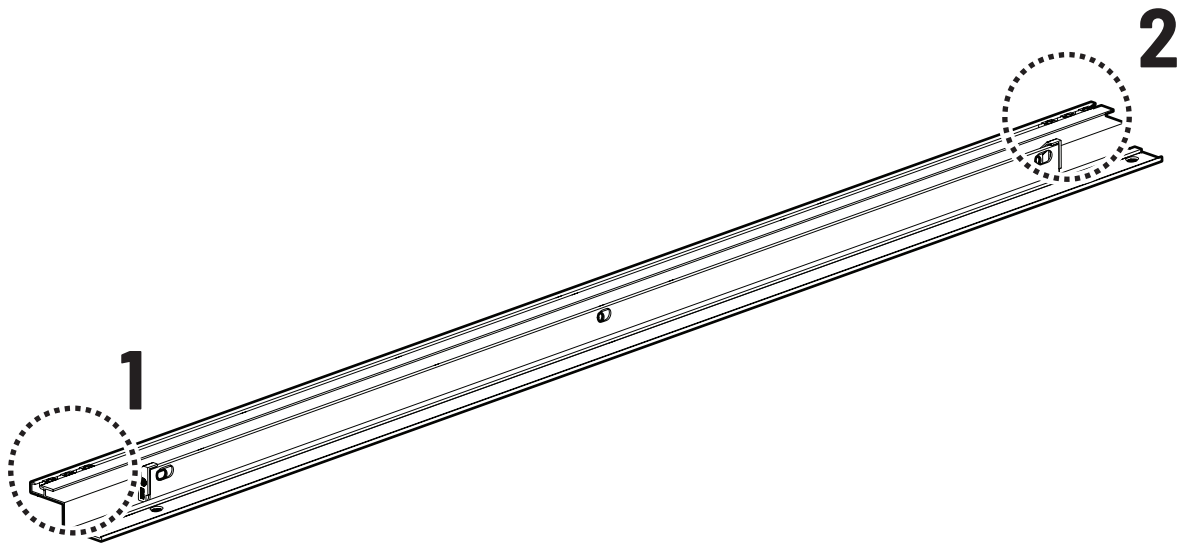
 T45 **25 Nm**



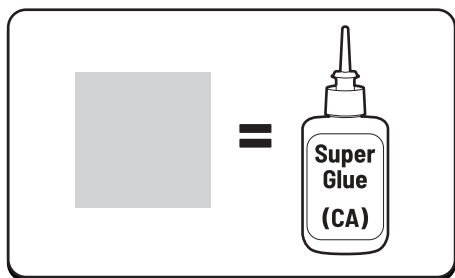
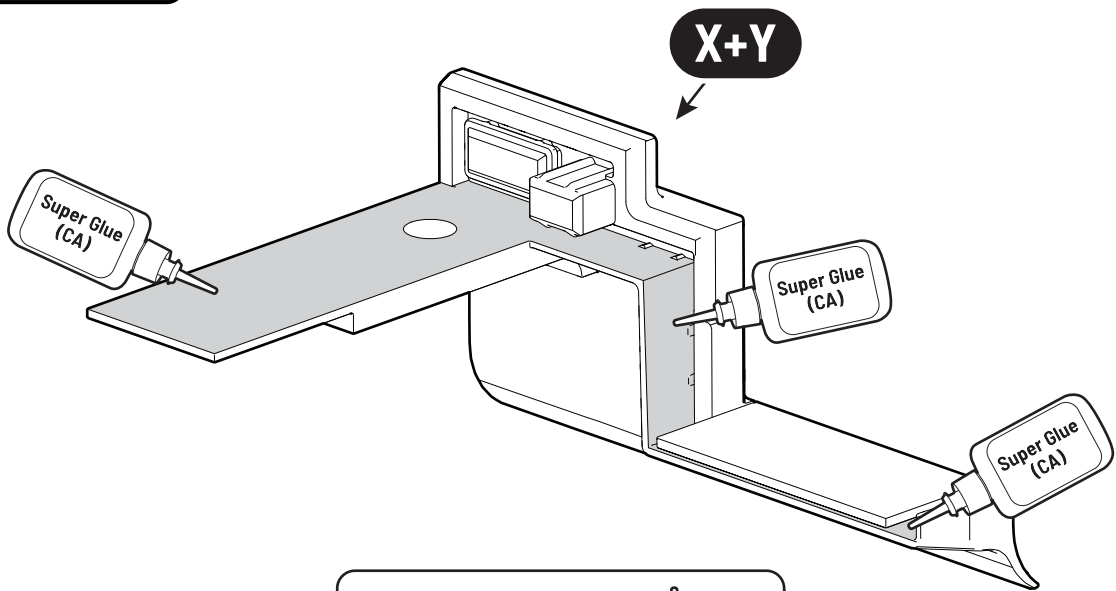








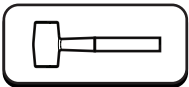
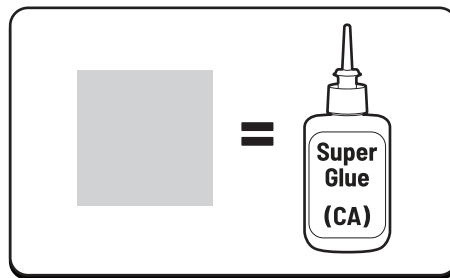
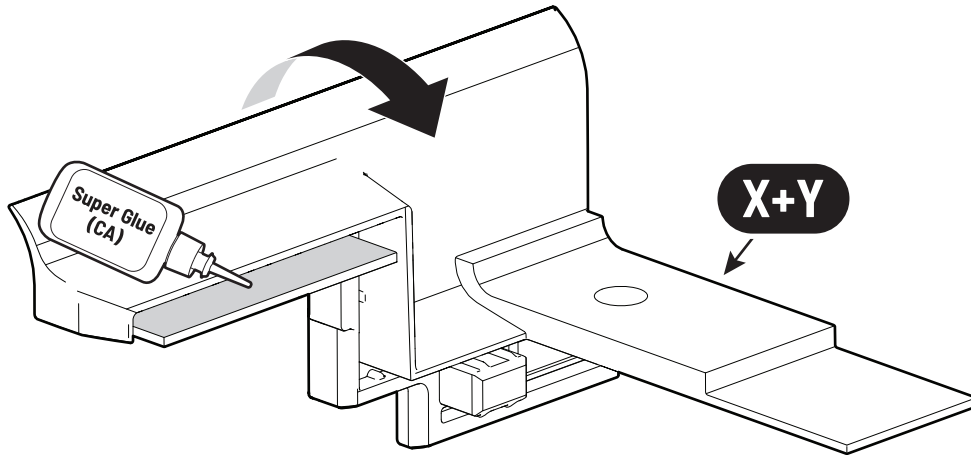
 **Super Glue (CA)**



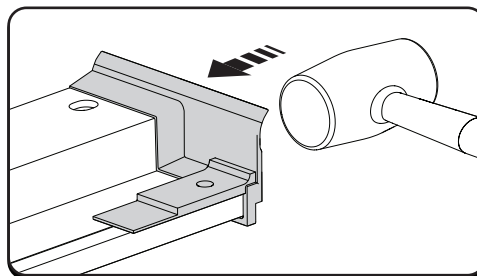
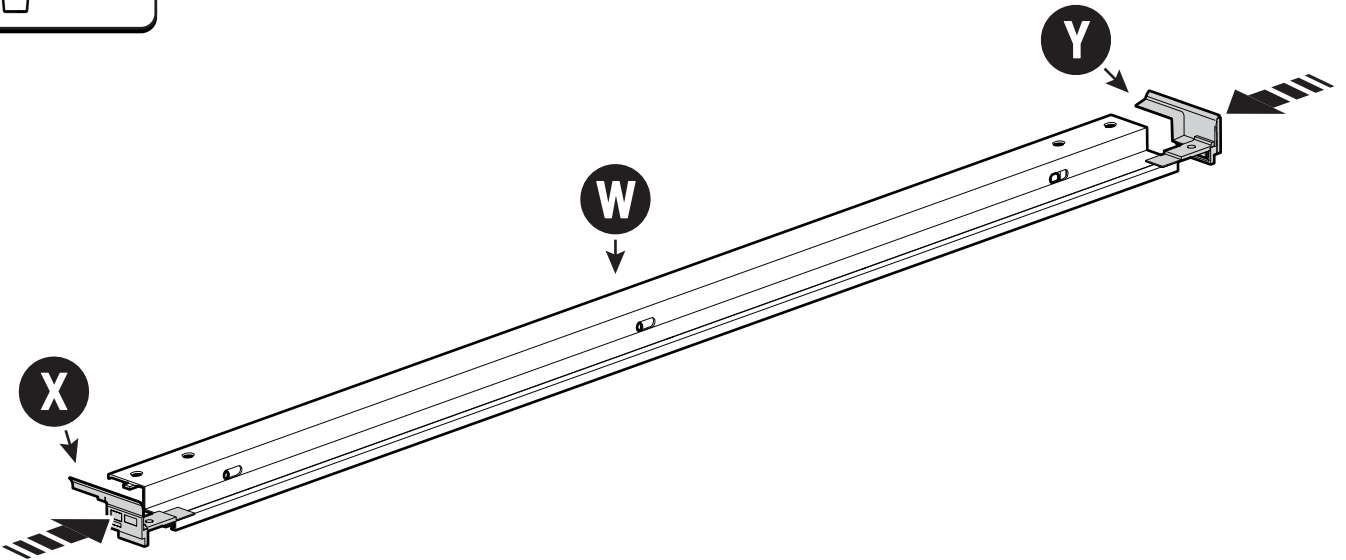


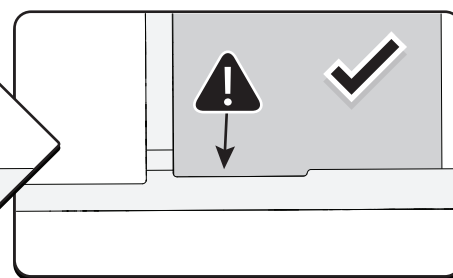
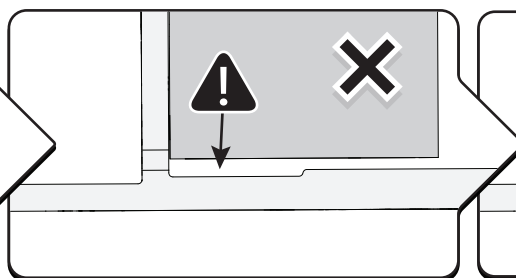
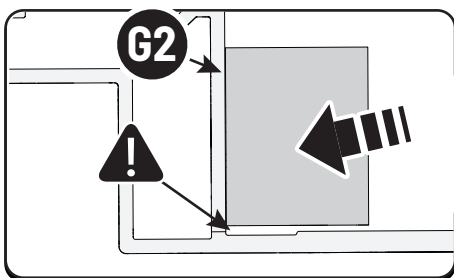
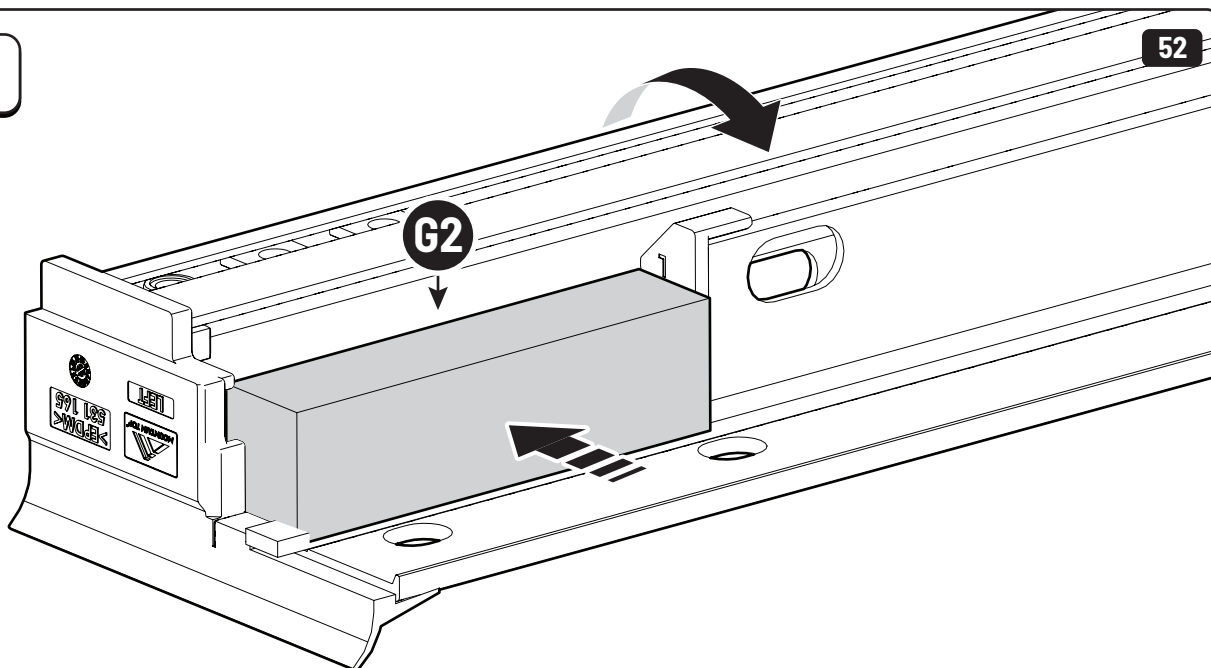
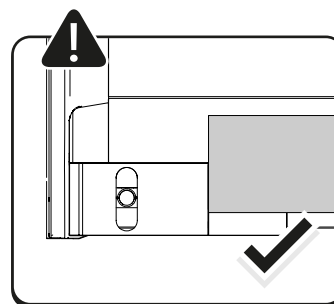
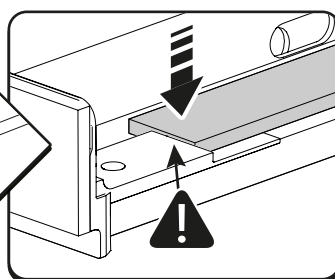
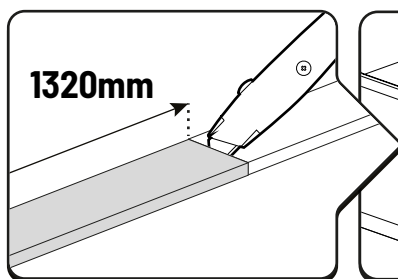
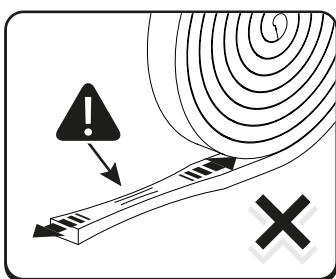
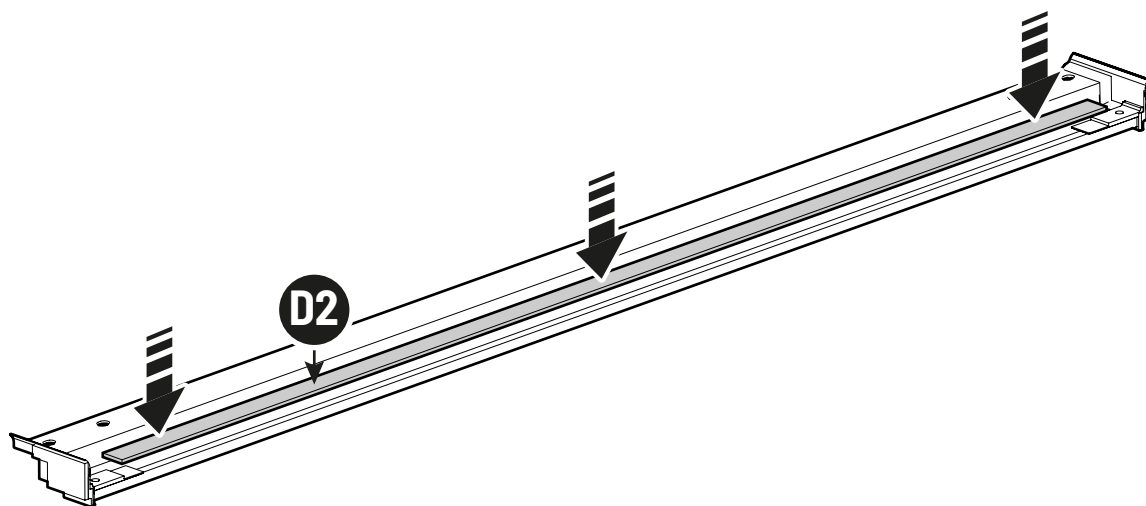
Super Glue (CA)

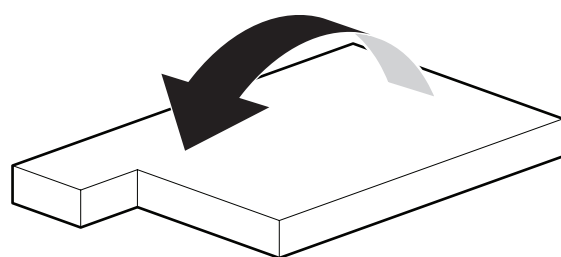
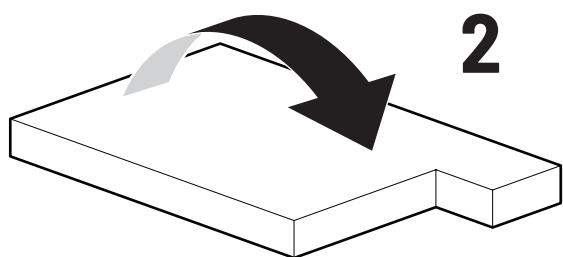
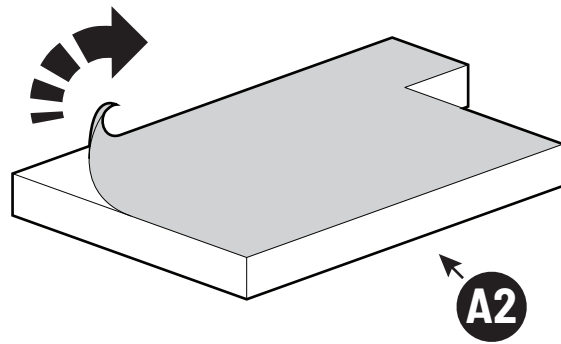
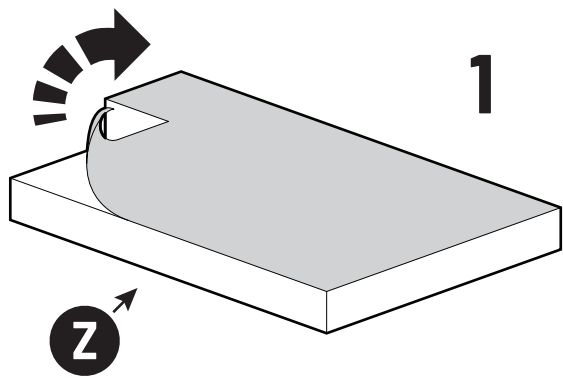
49



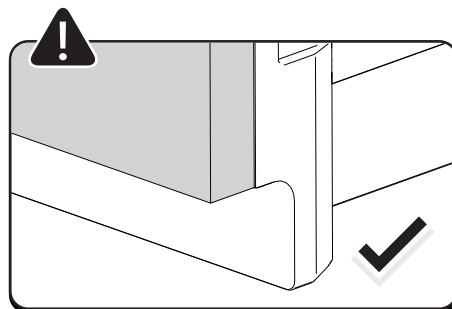
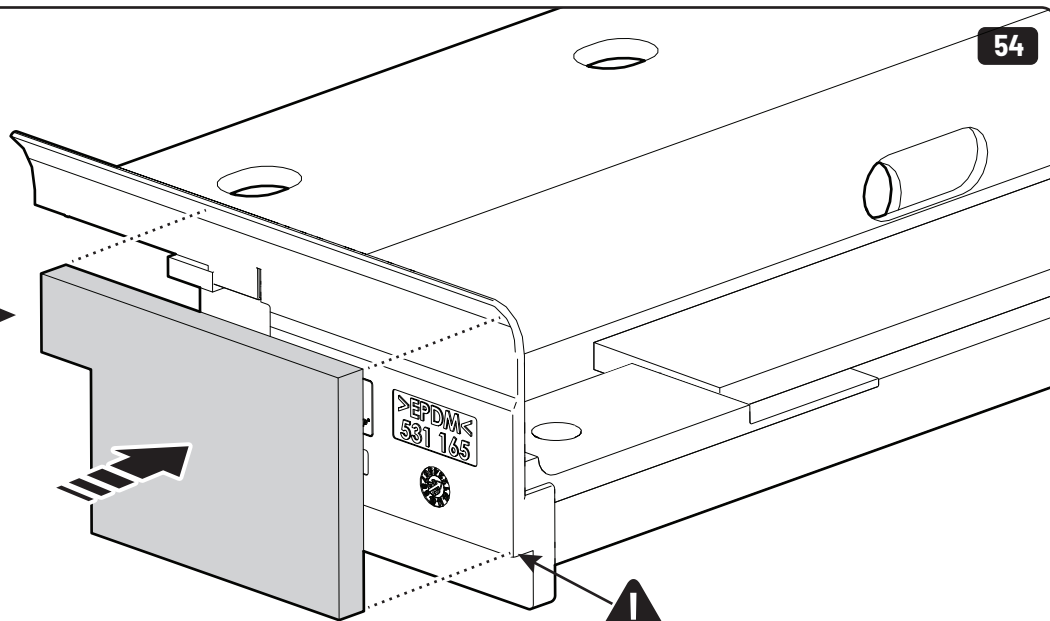
50

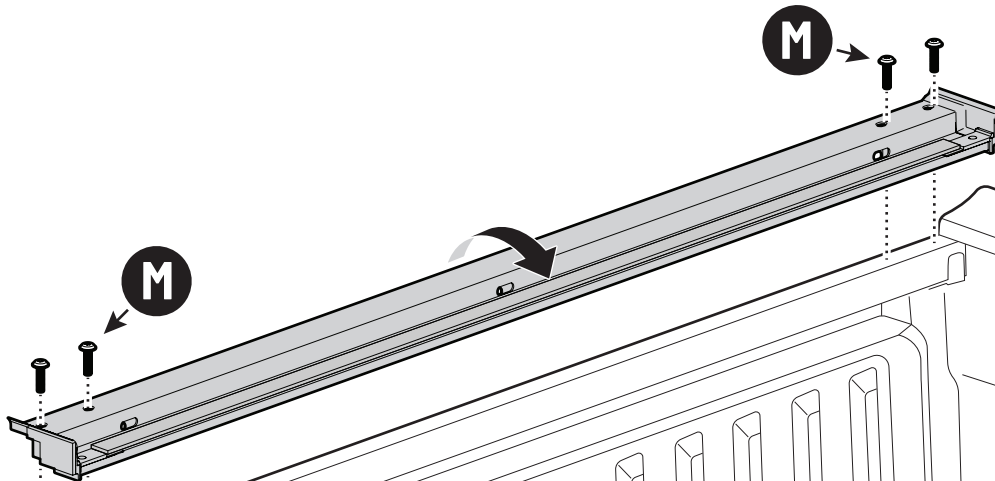
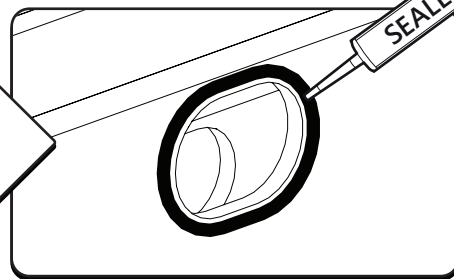
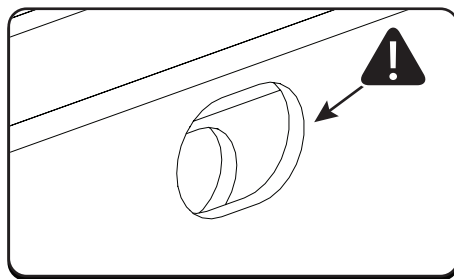
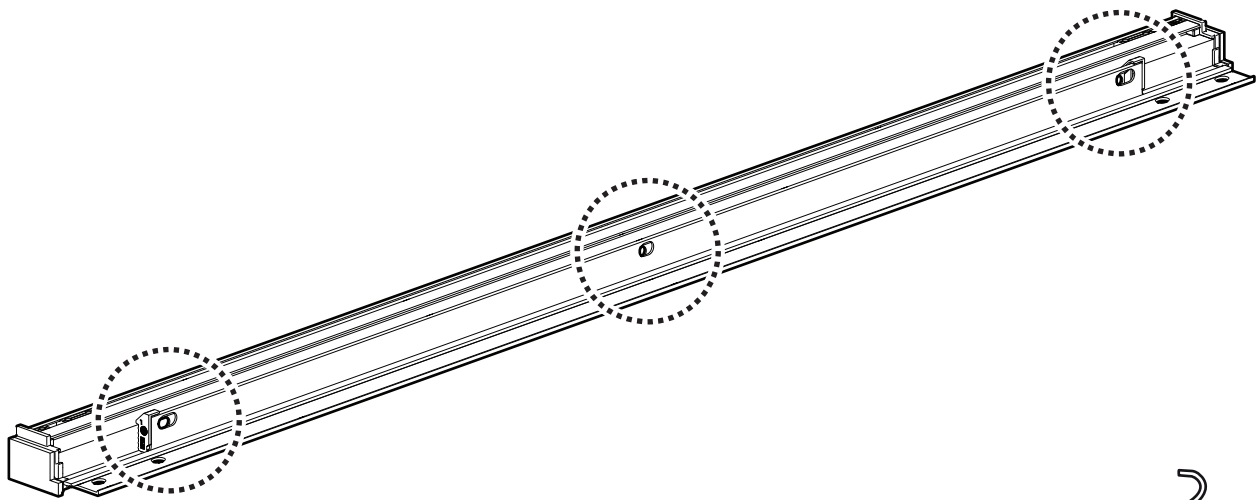


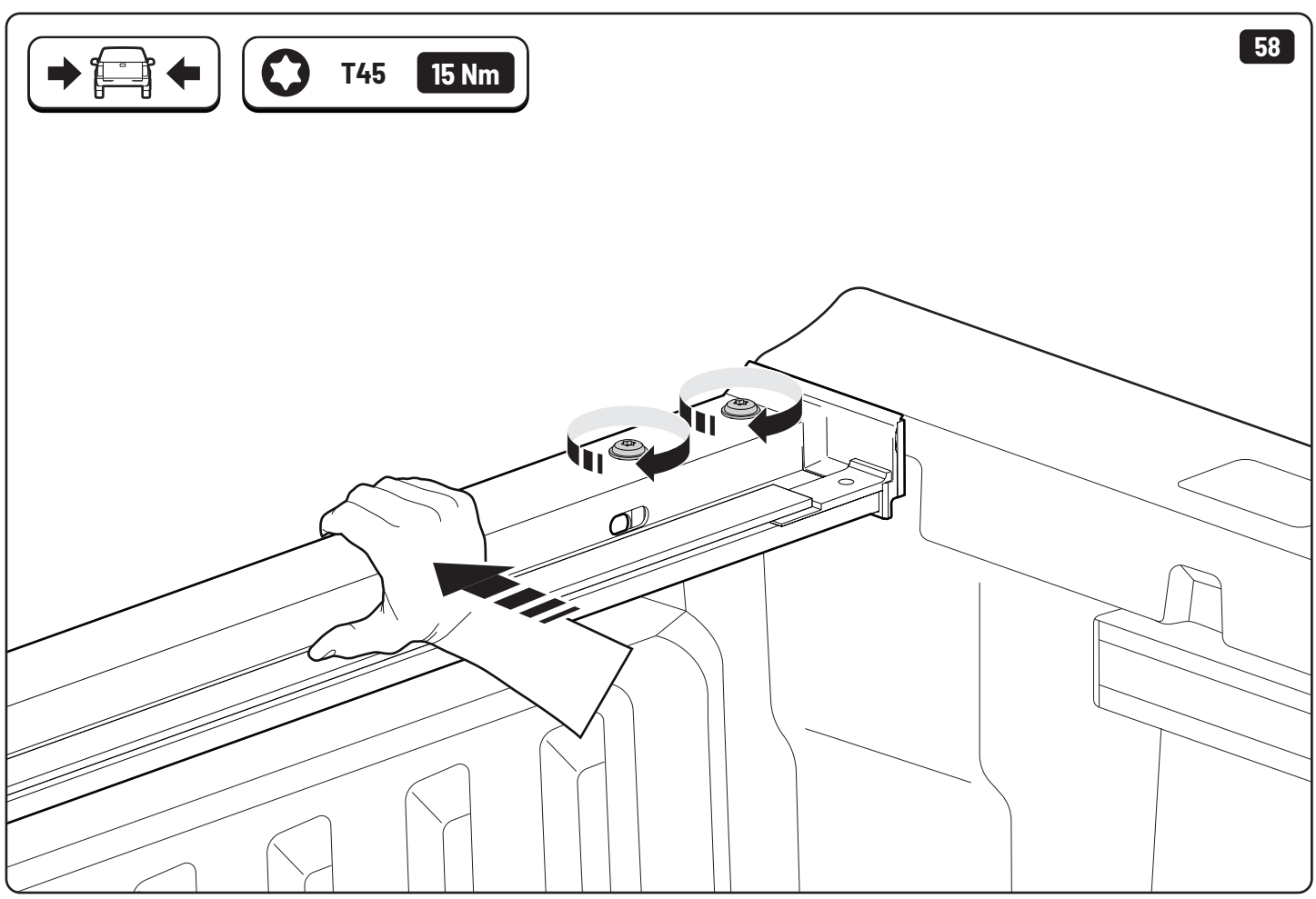
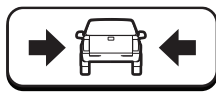
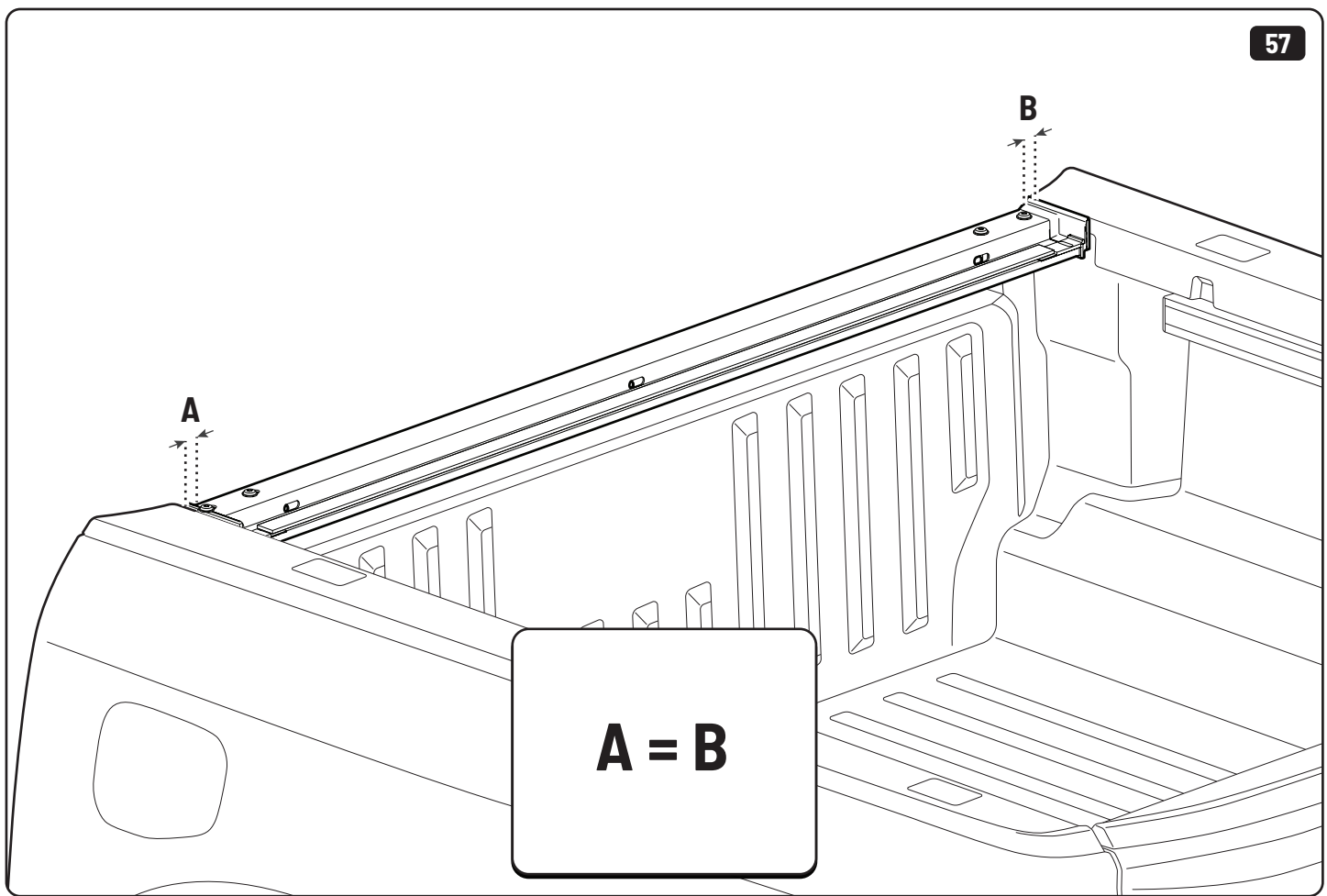


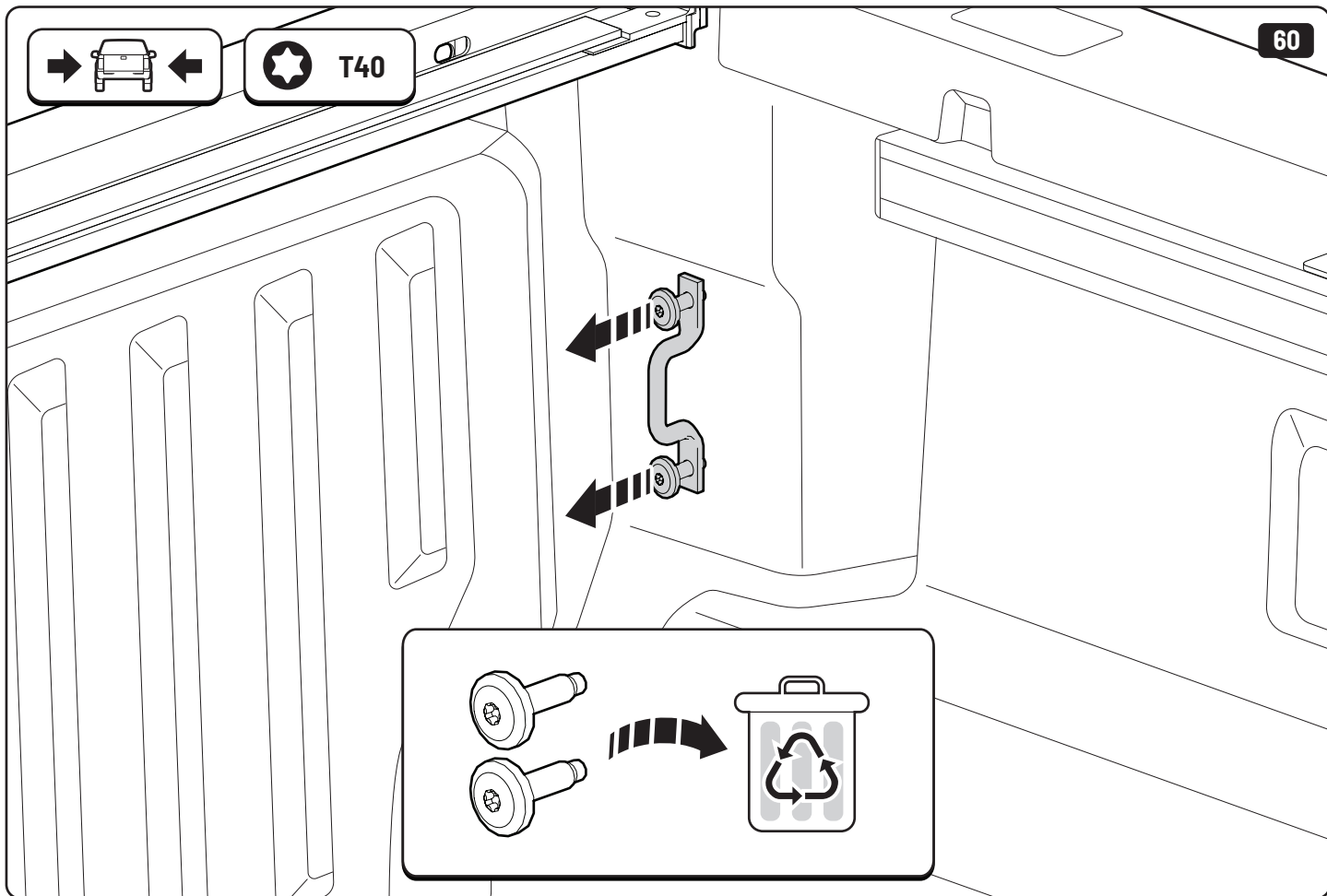
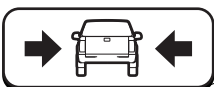
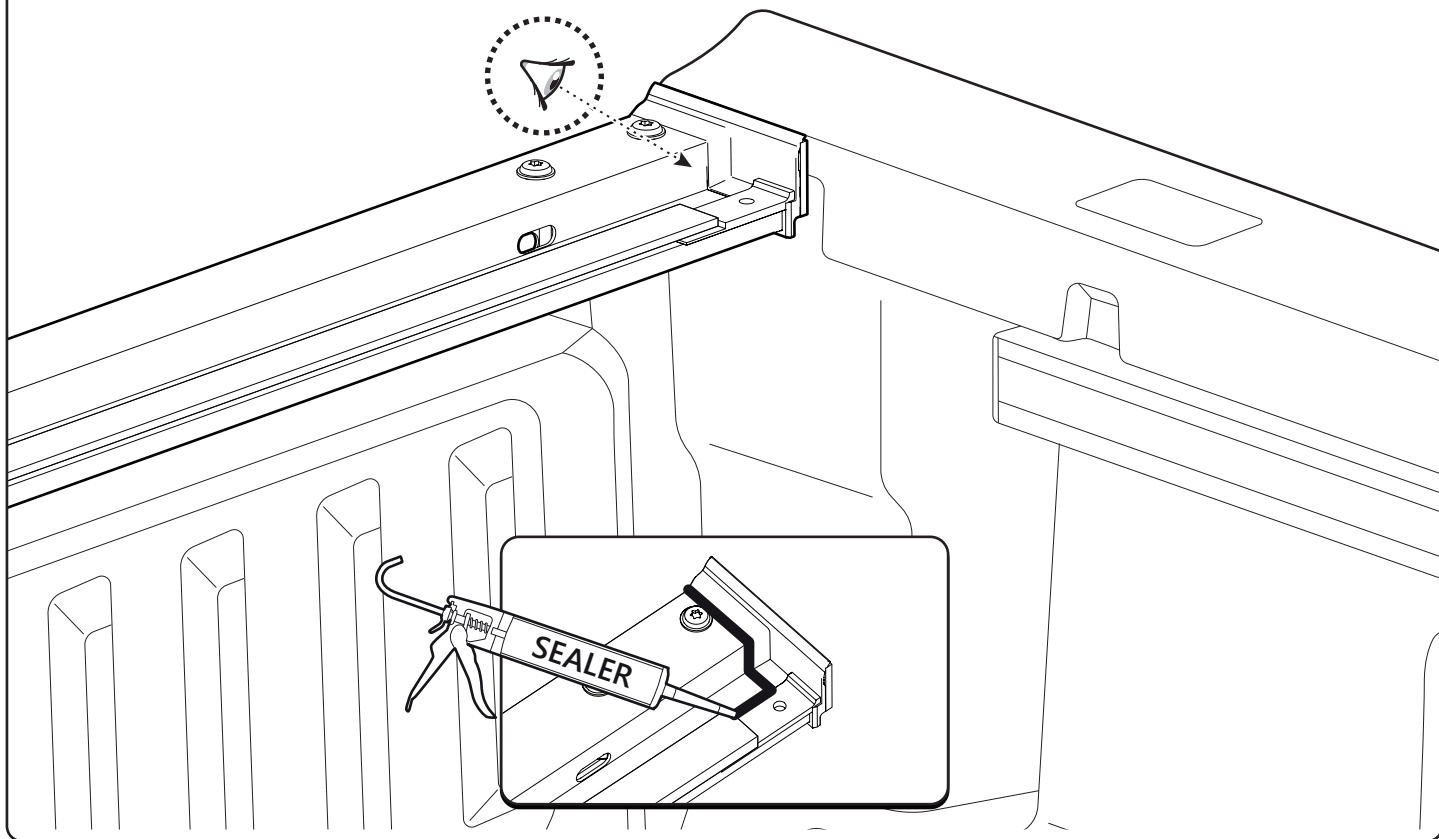


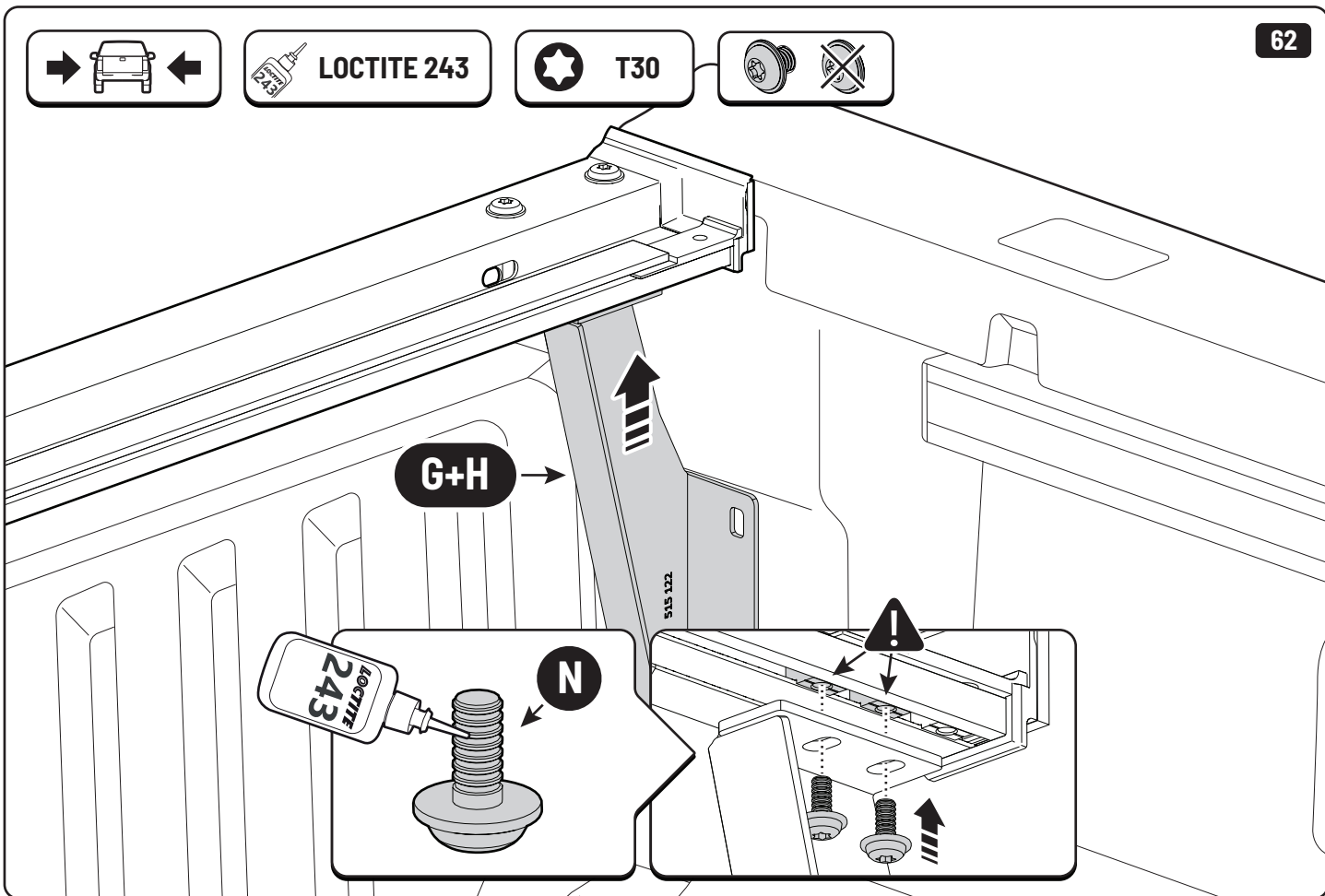
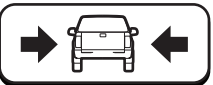
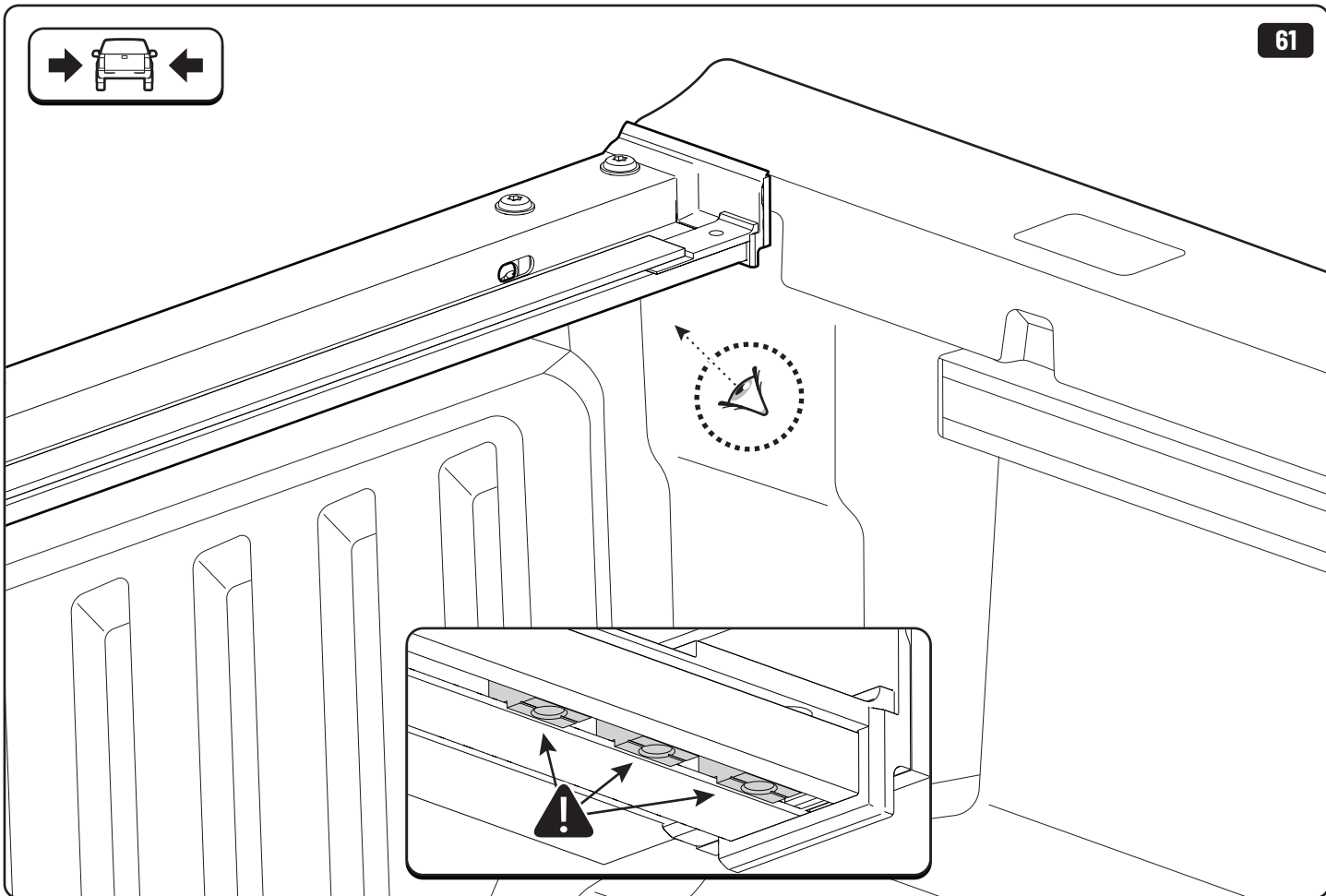
Z+A2

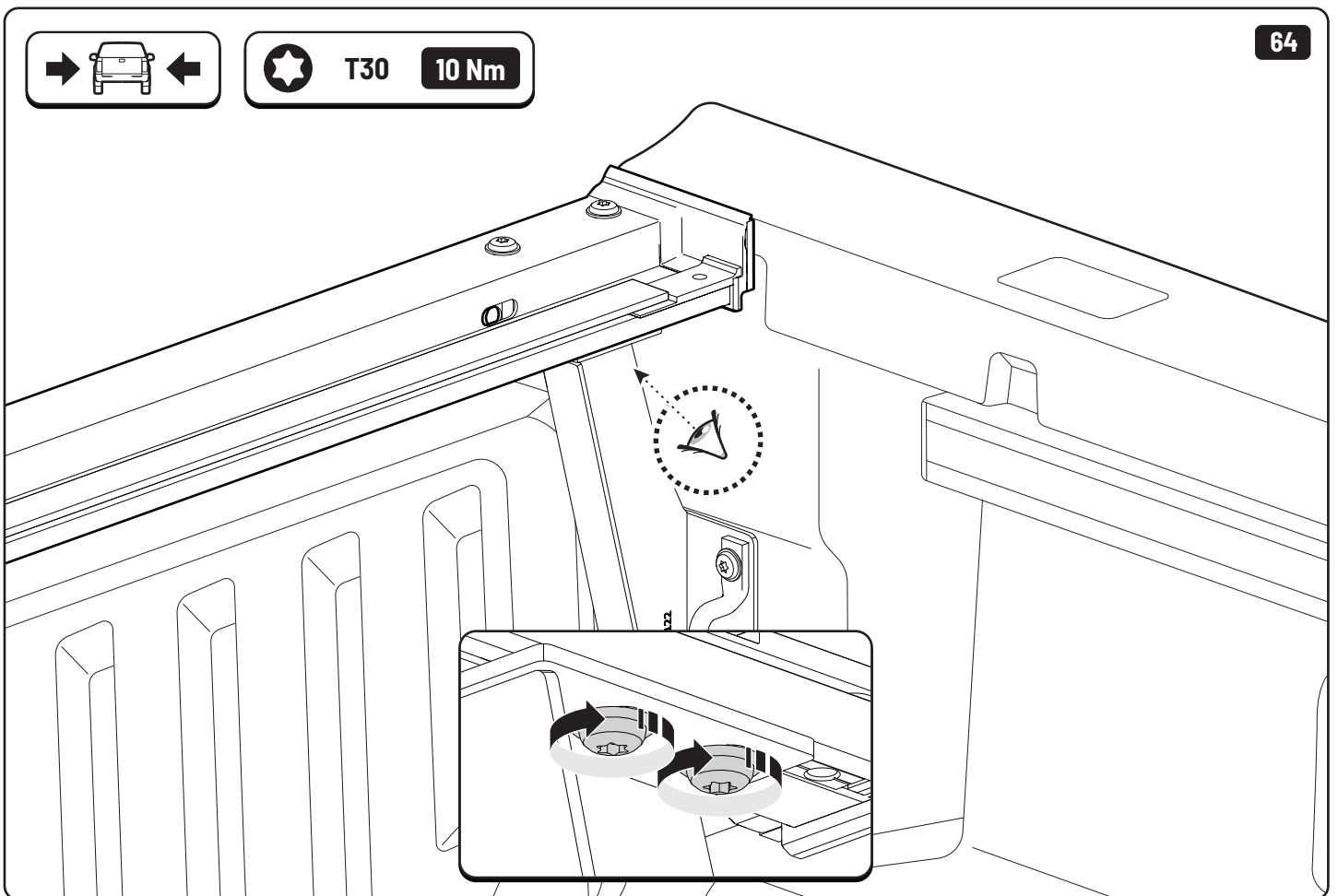
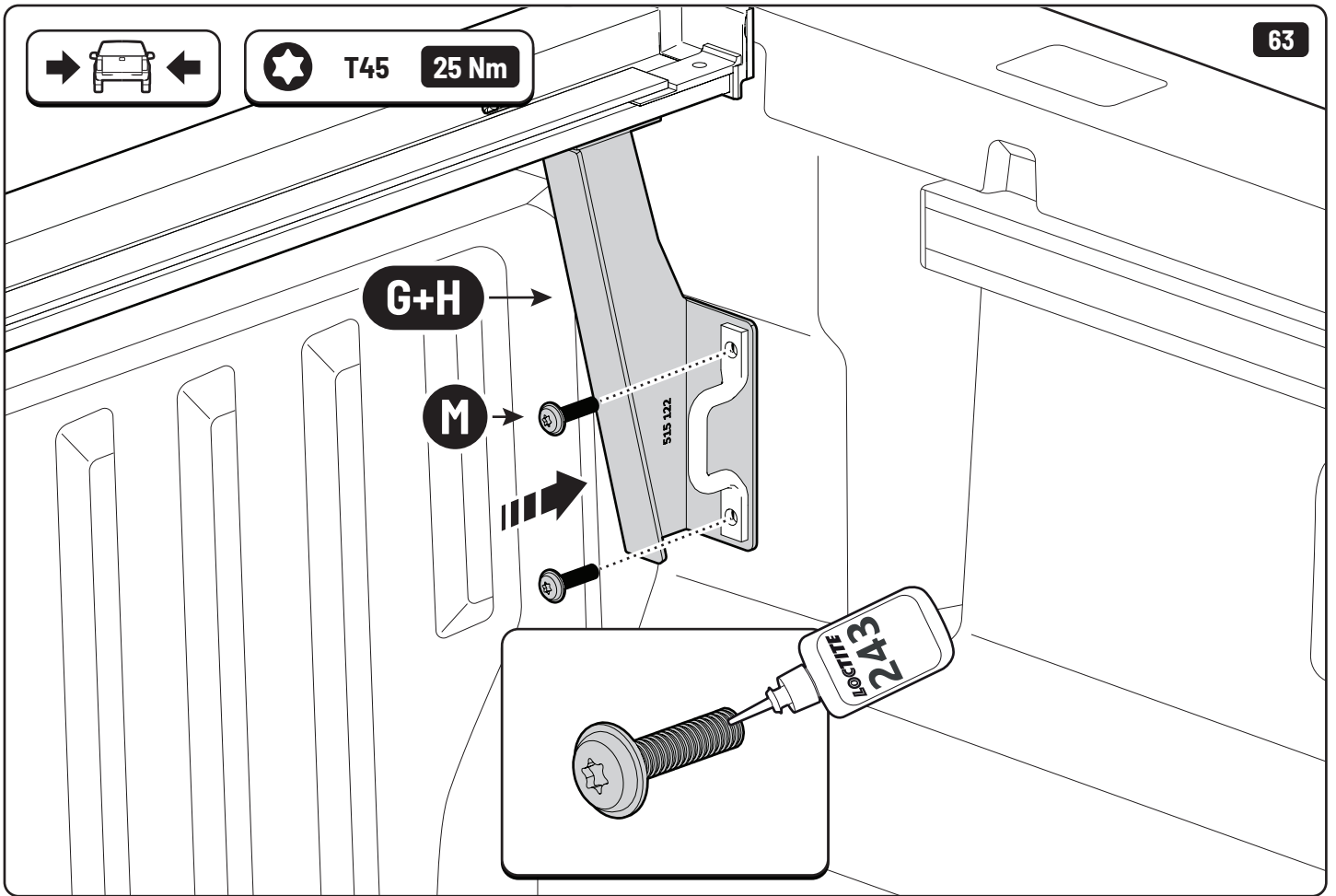


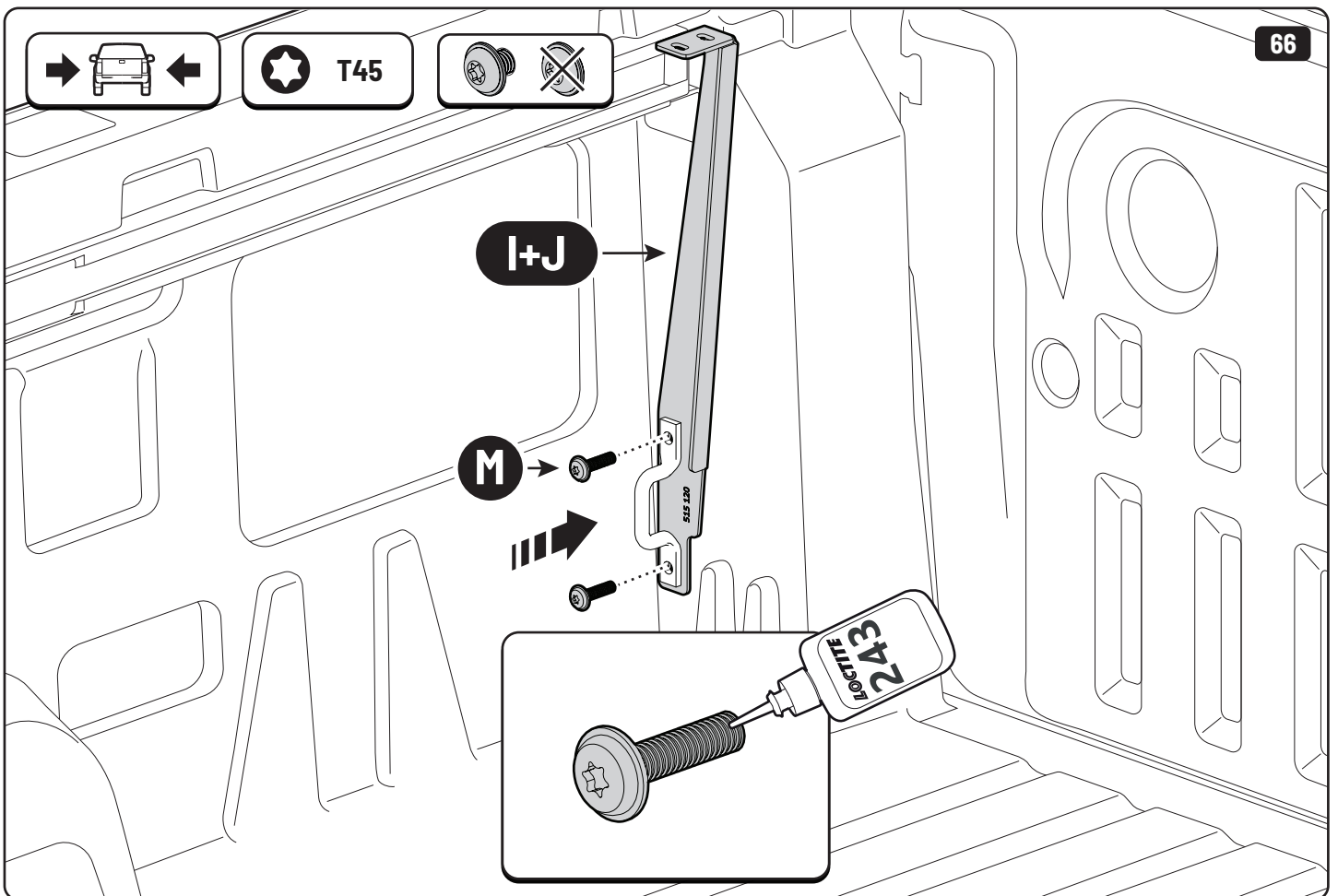
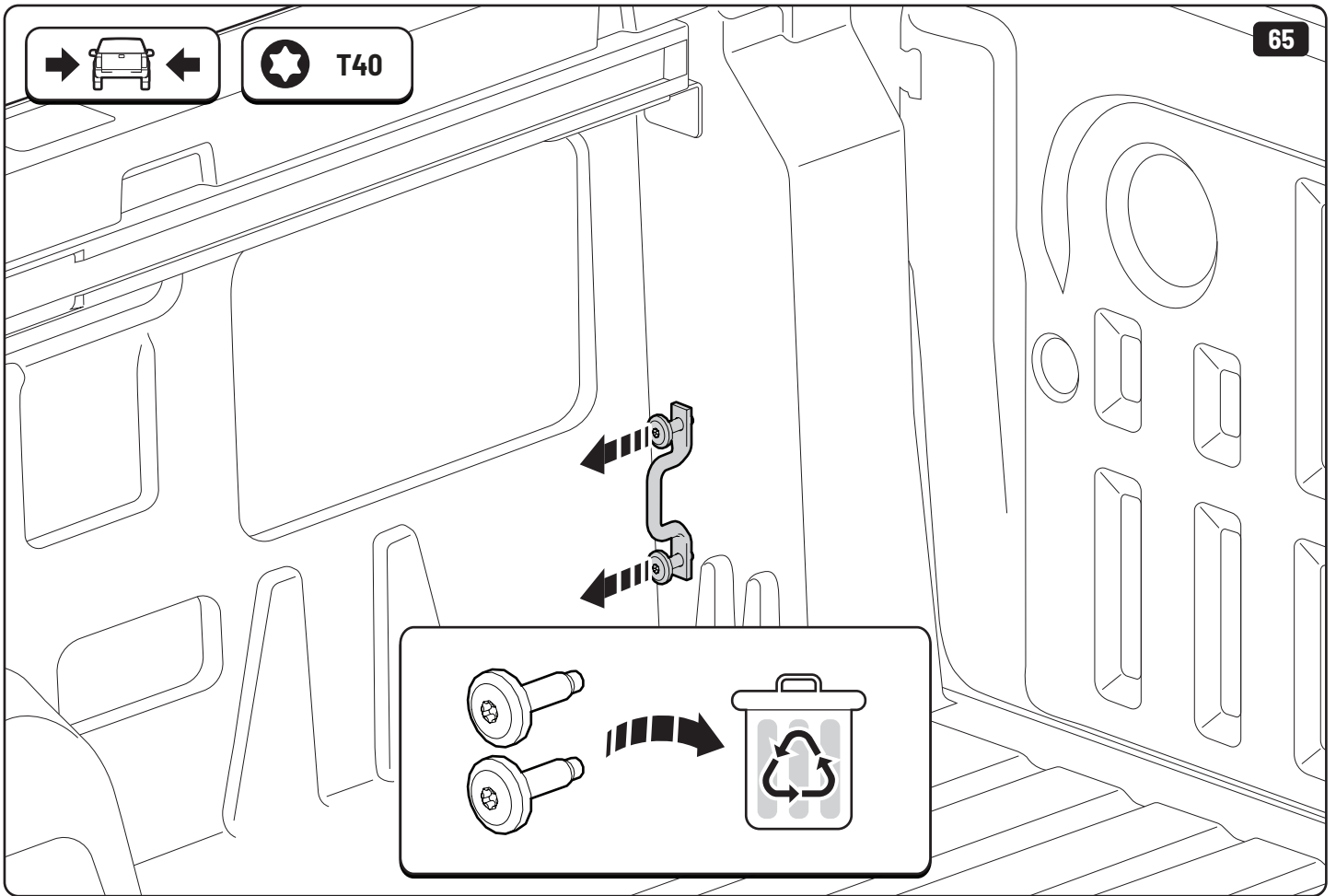


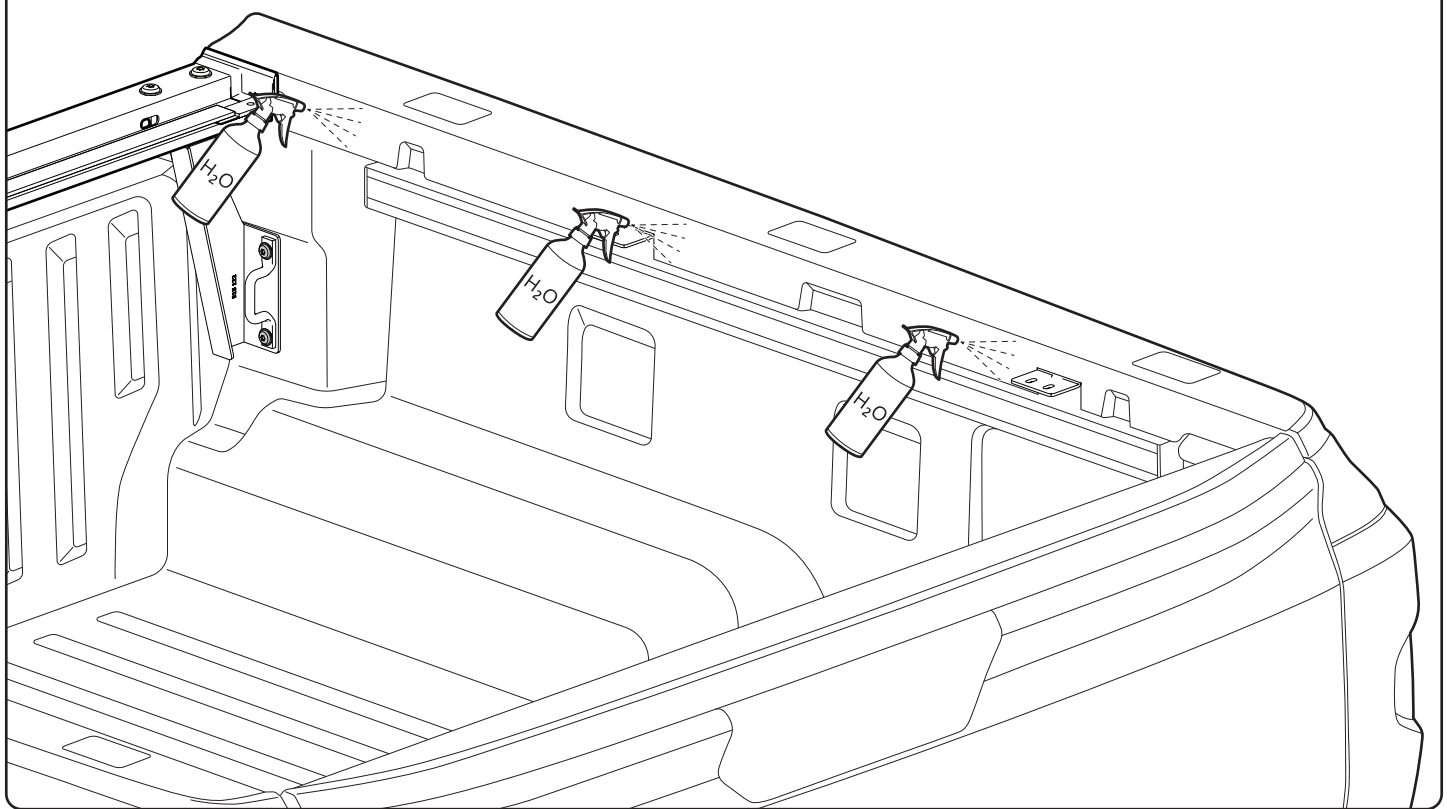
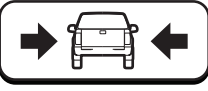






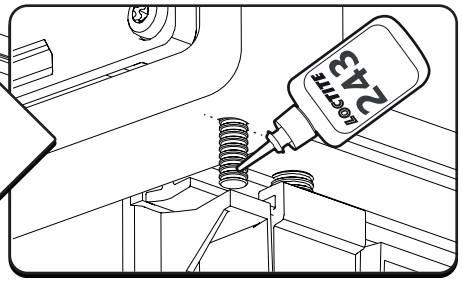
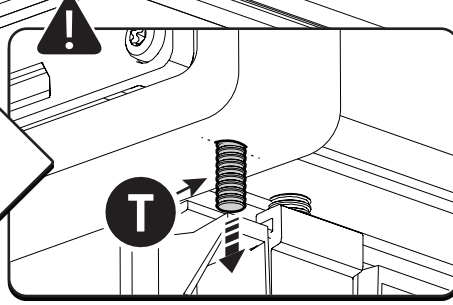
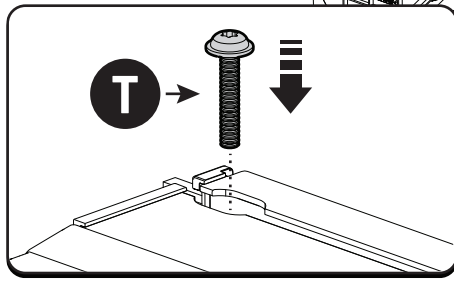
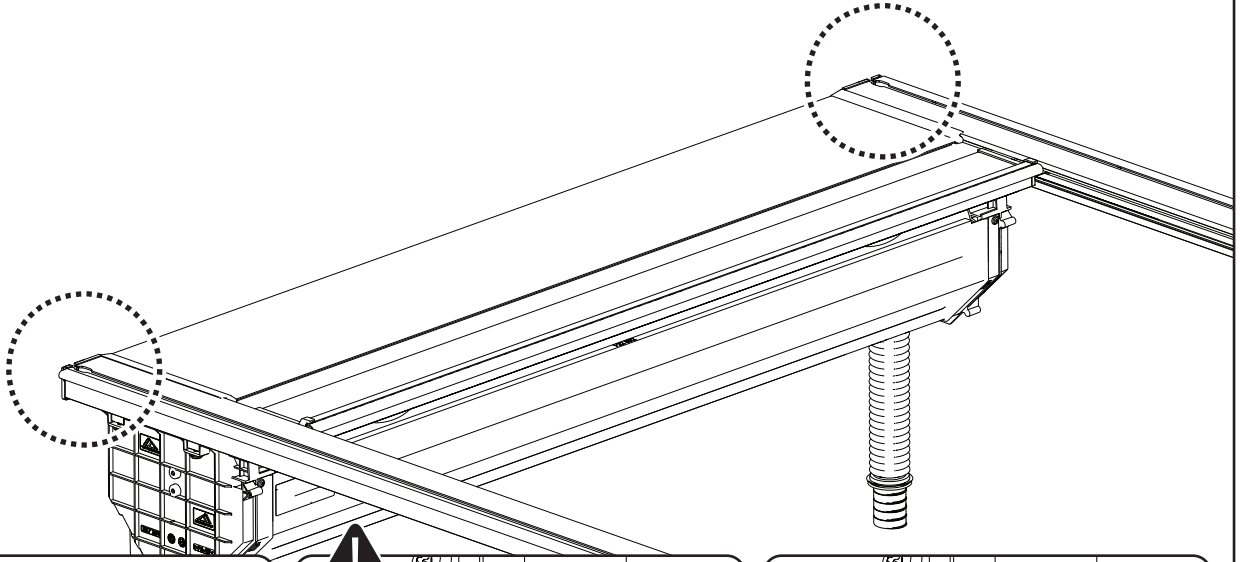


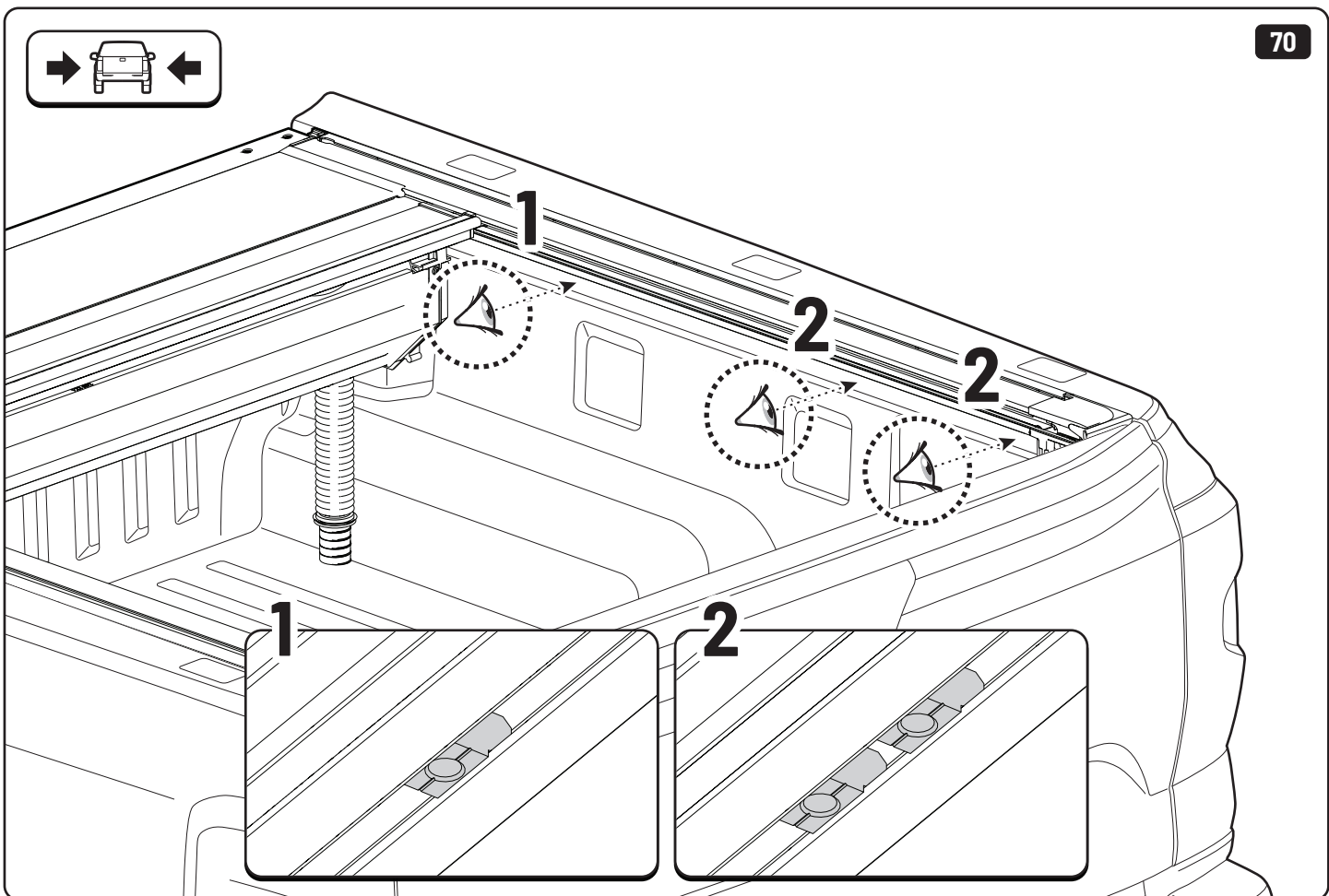
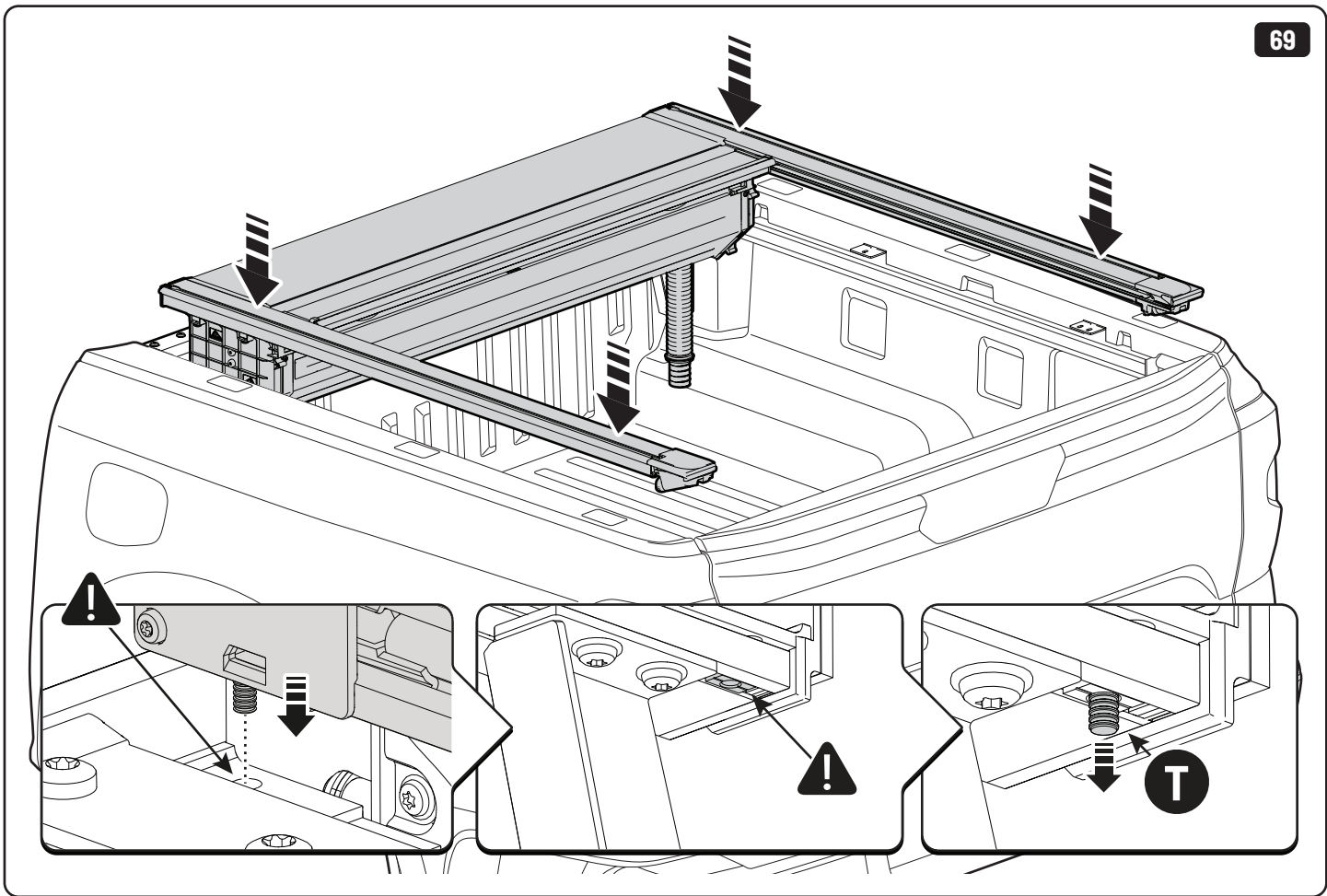




 **LOCTITE 243**

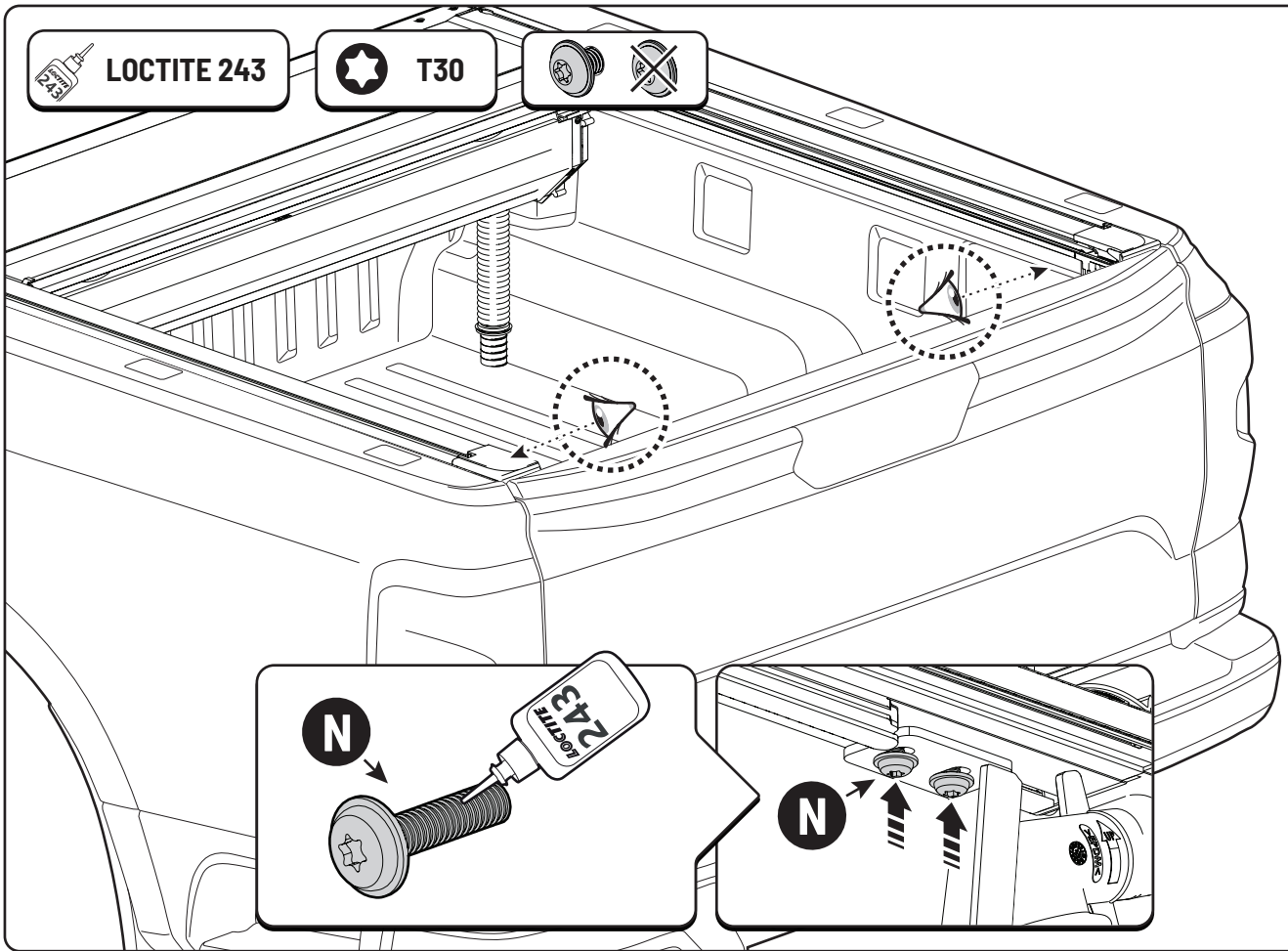
 **T30**





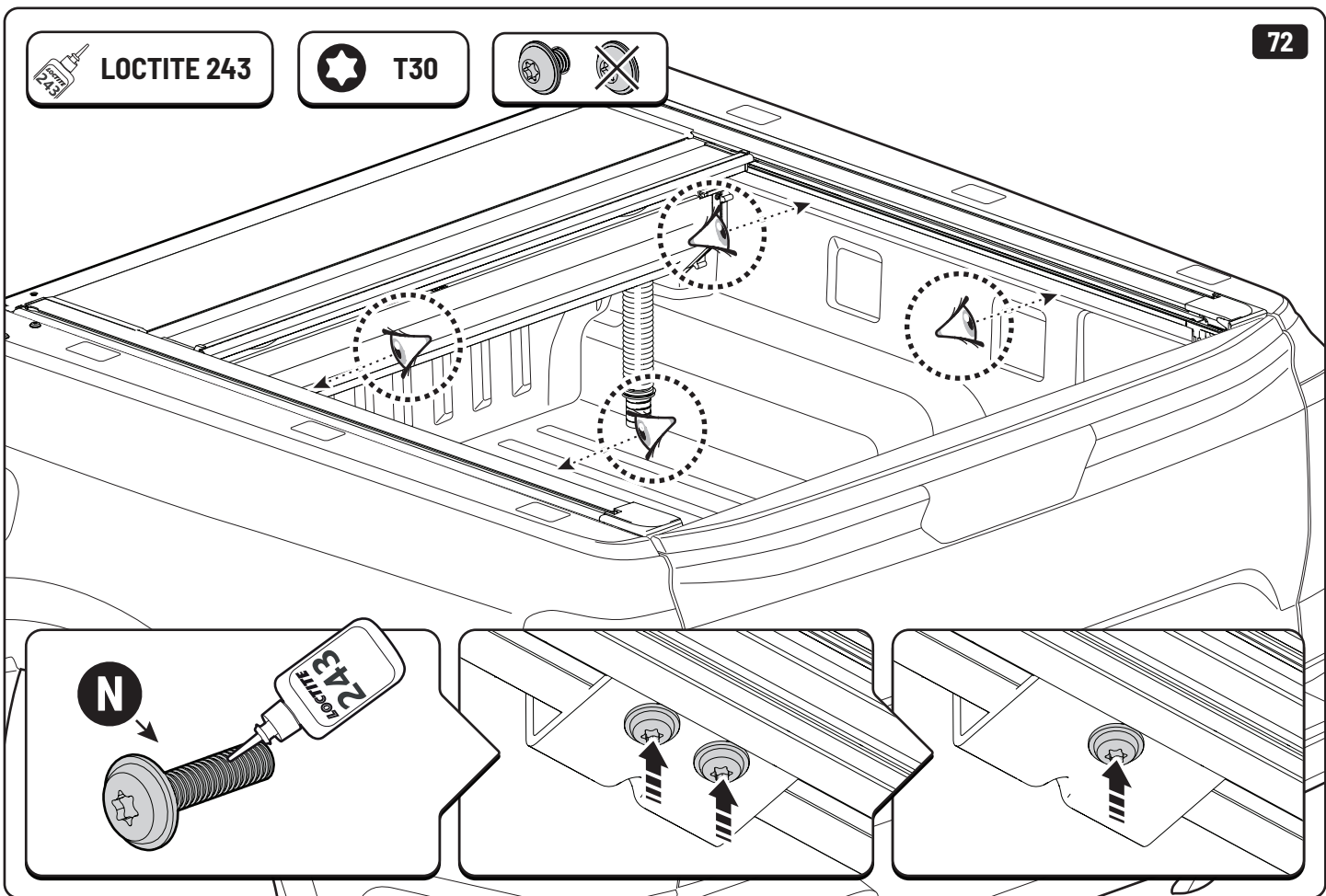
LOCTITE 243

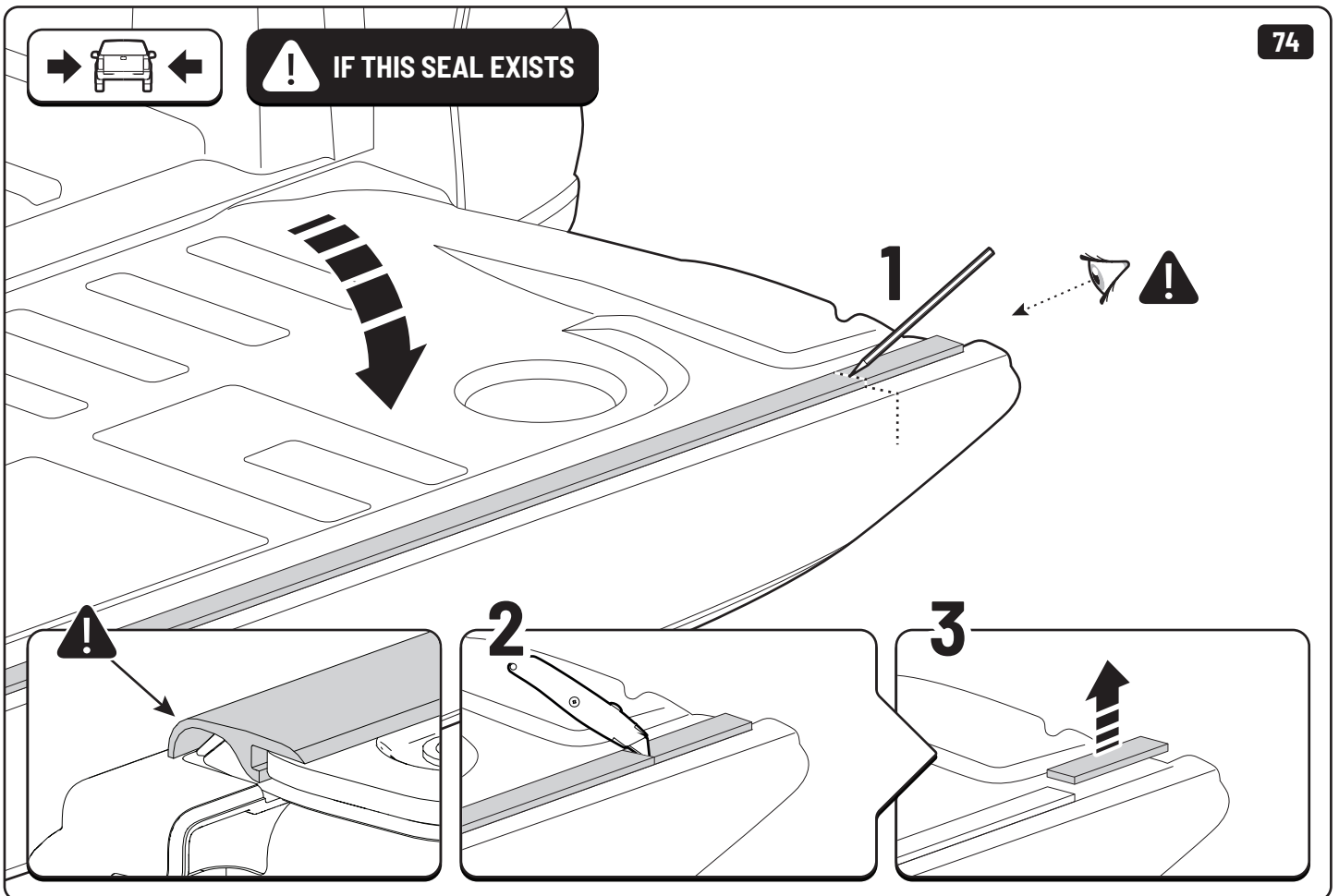
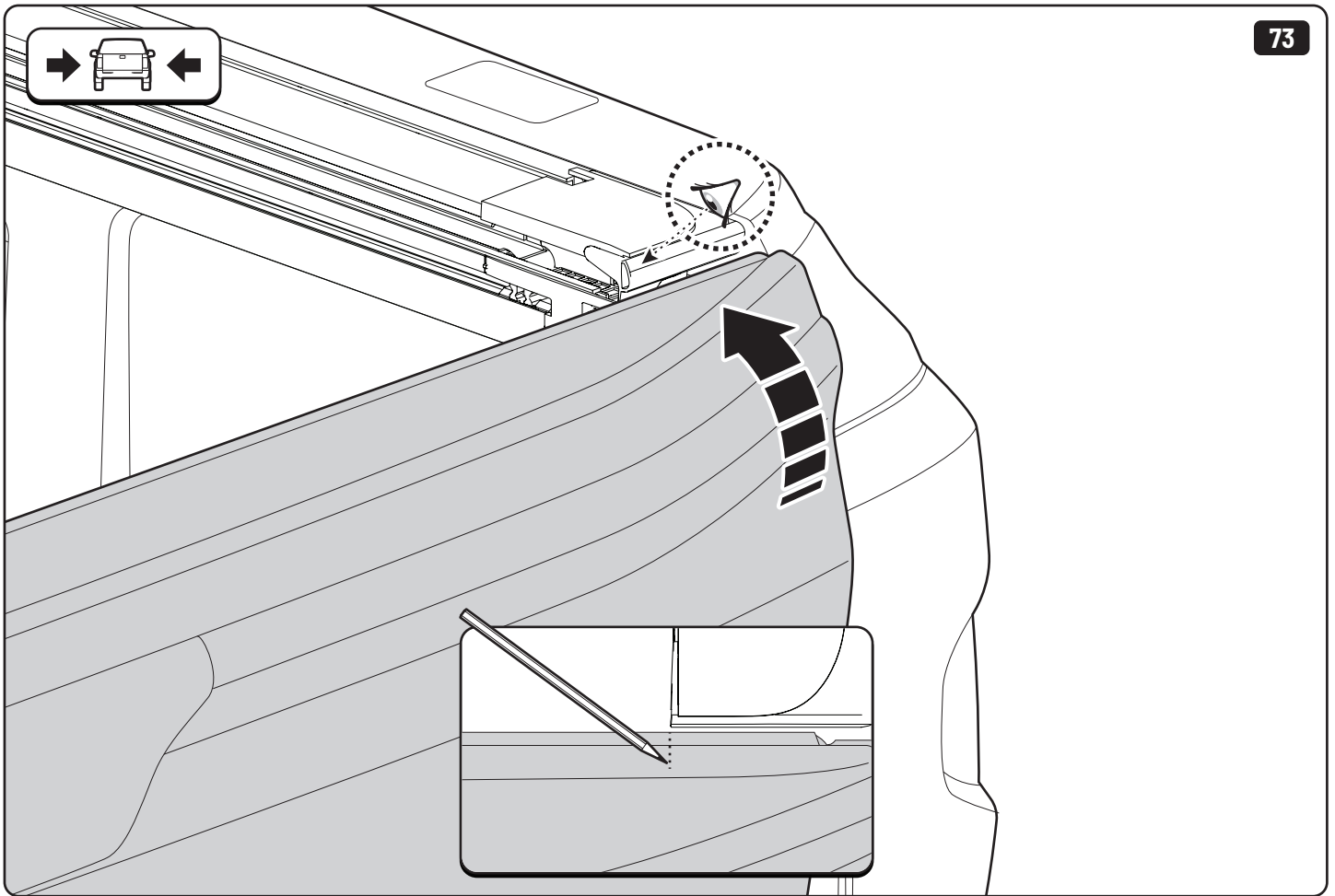
T30

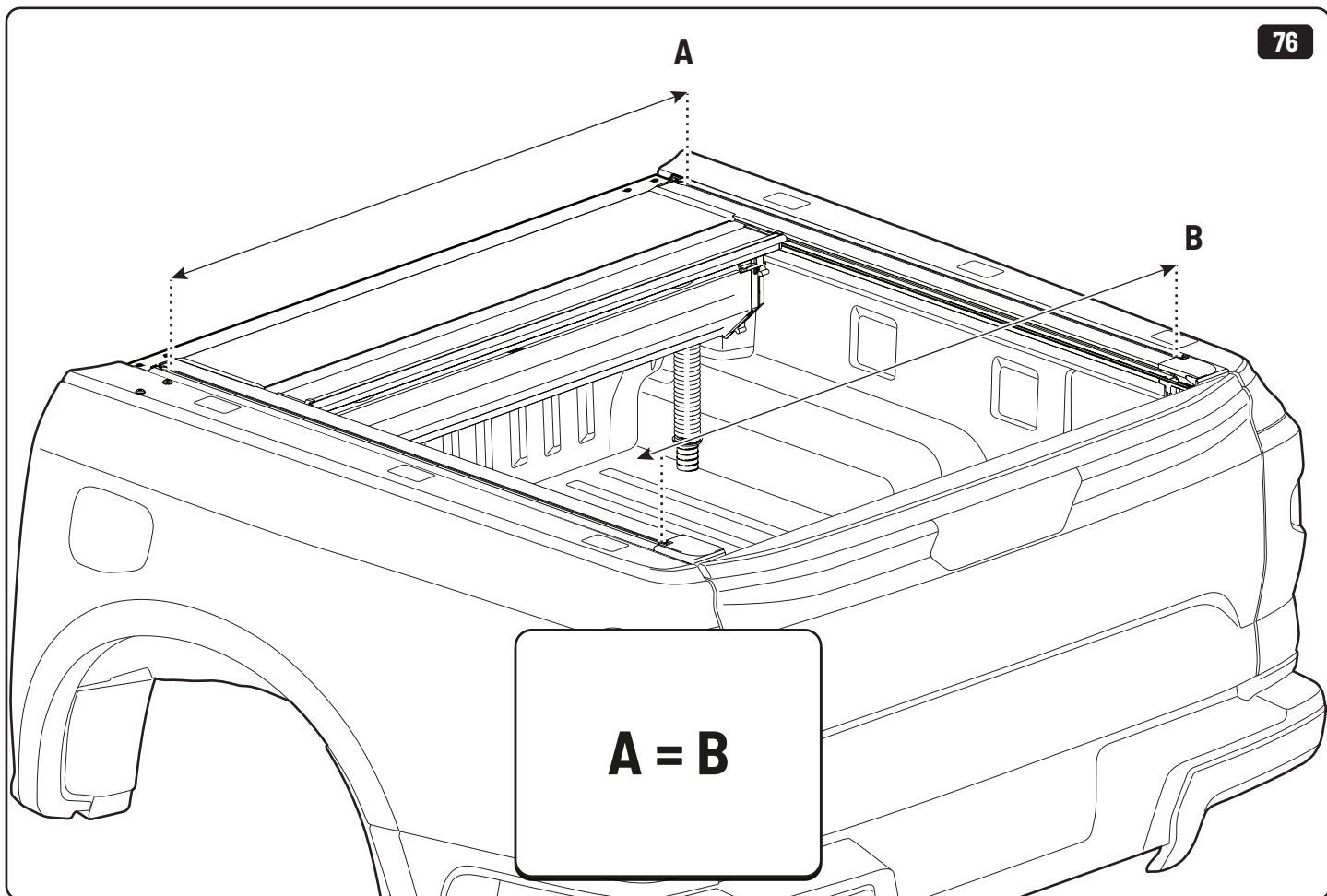
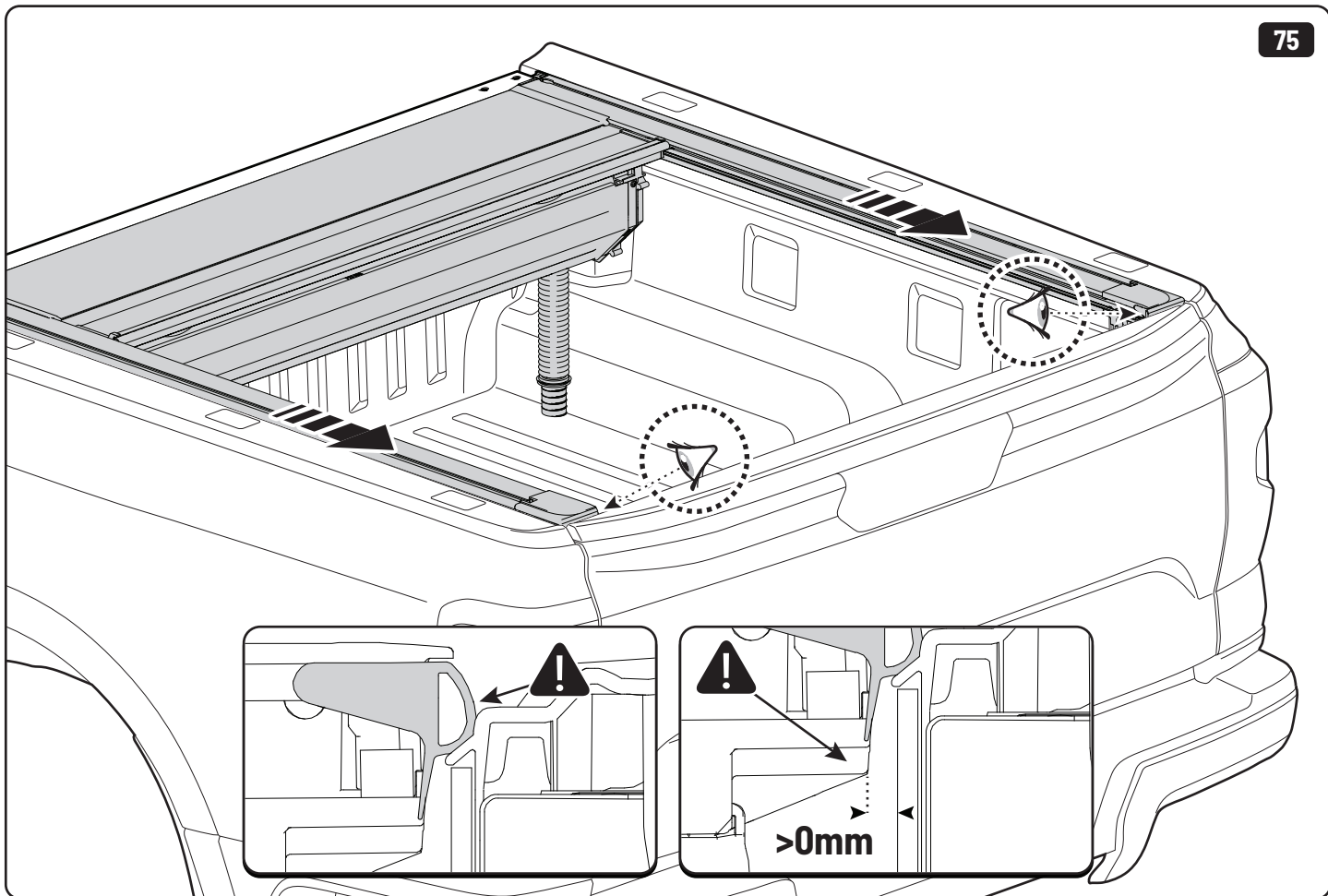


LOCTITE 243

T30





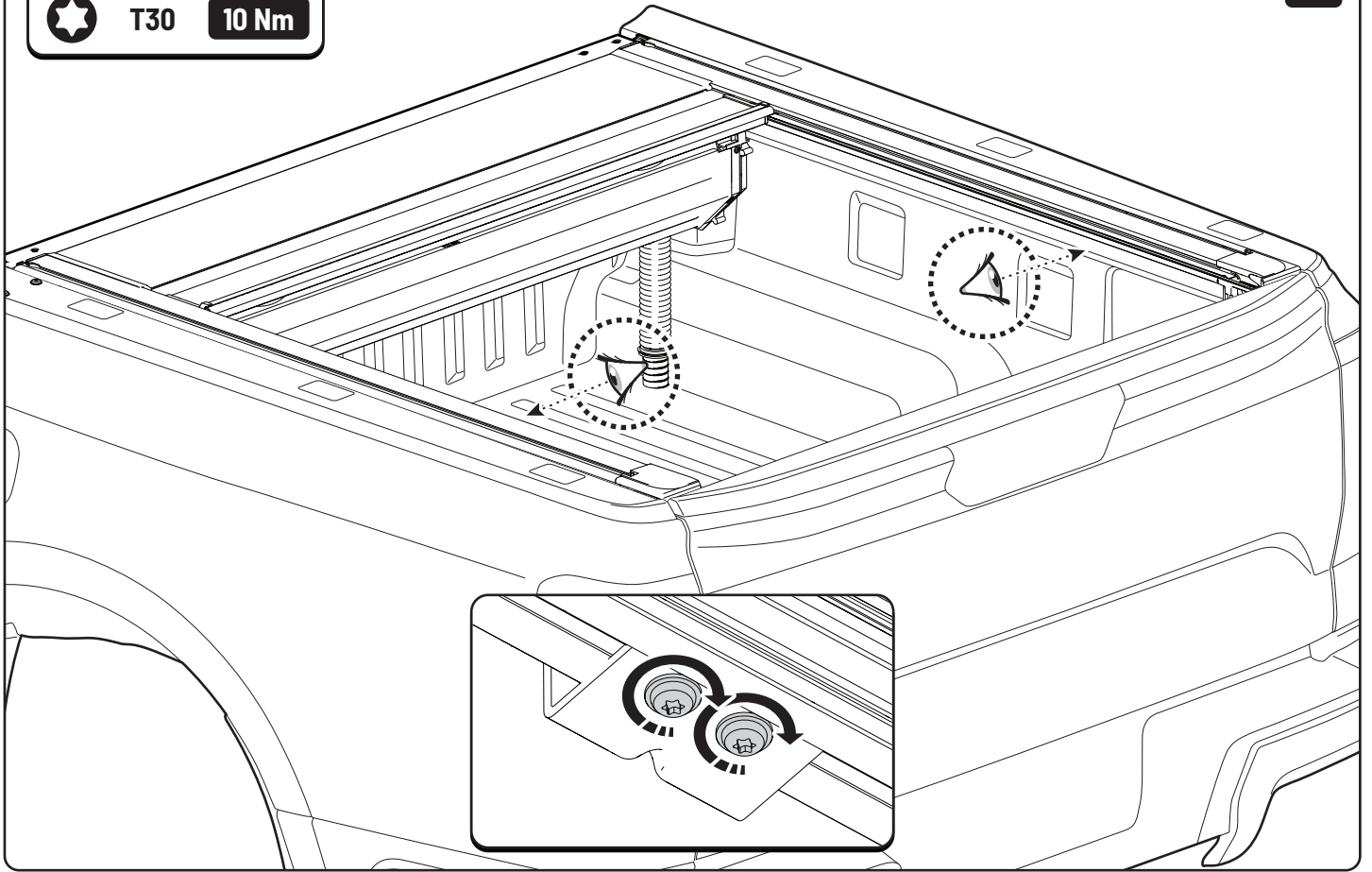




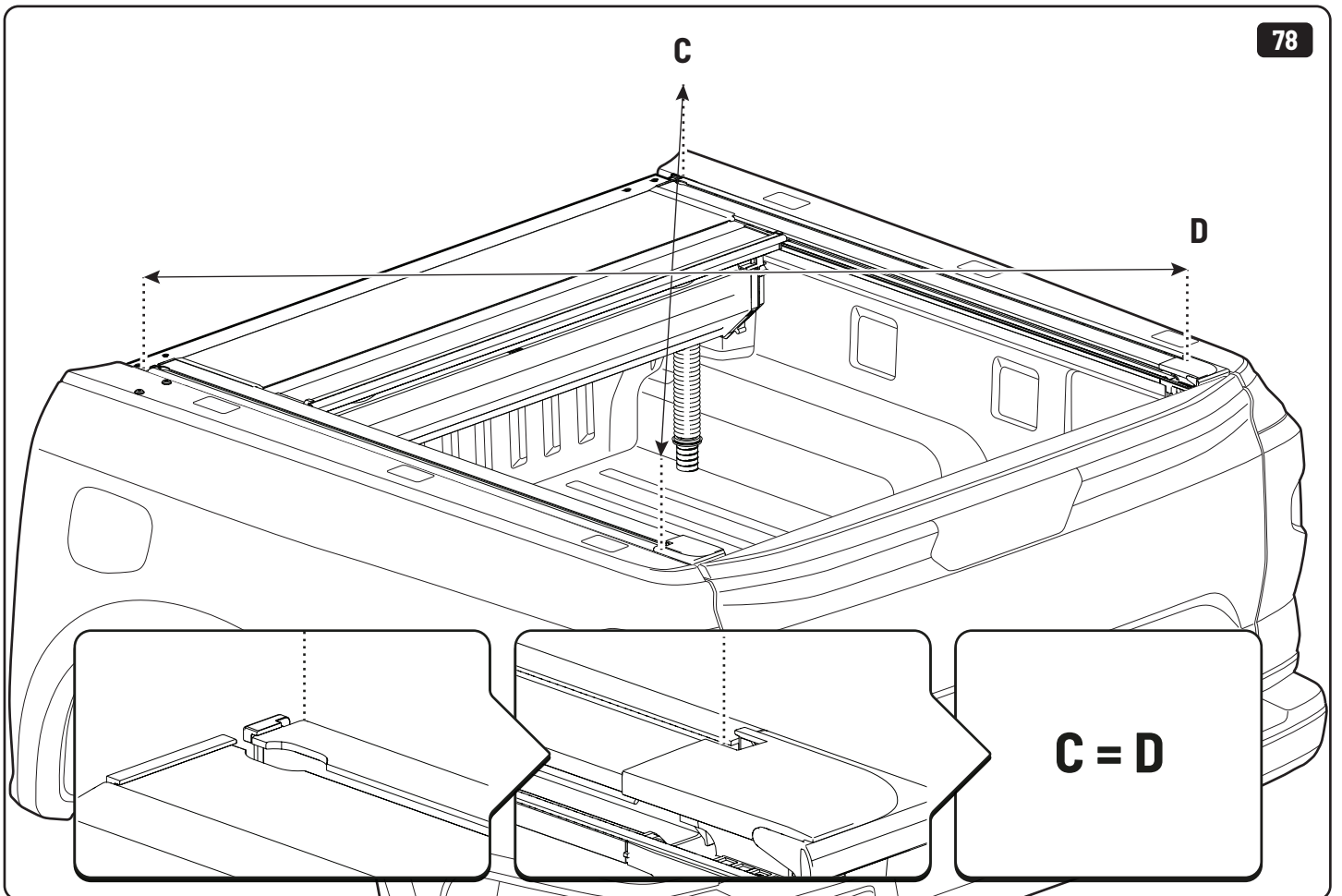
T30

10 Nm

77



78

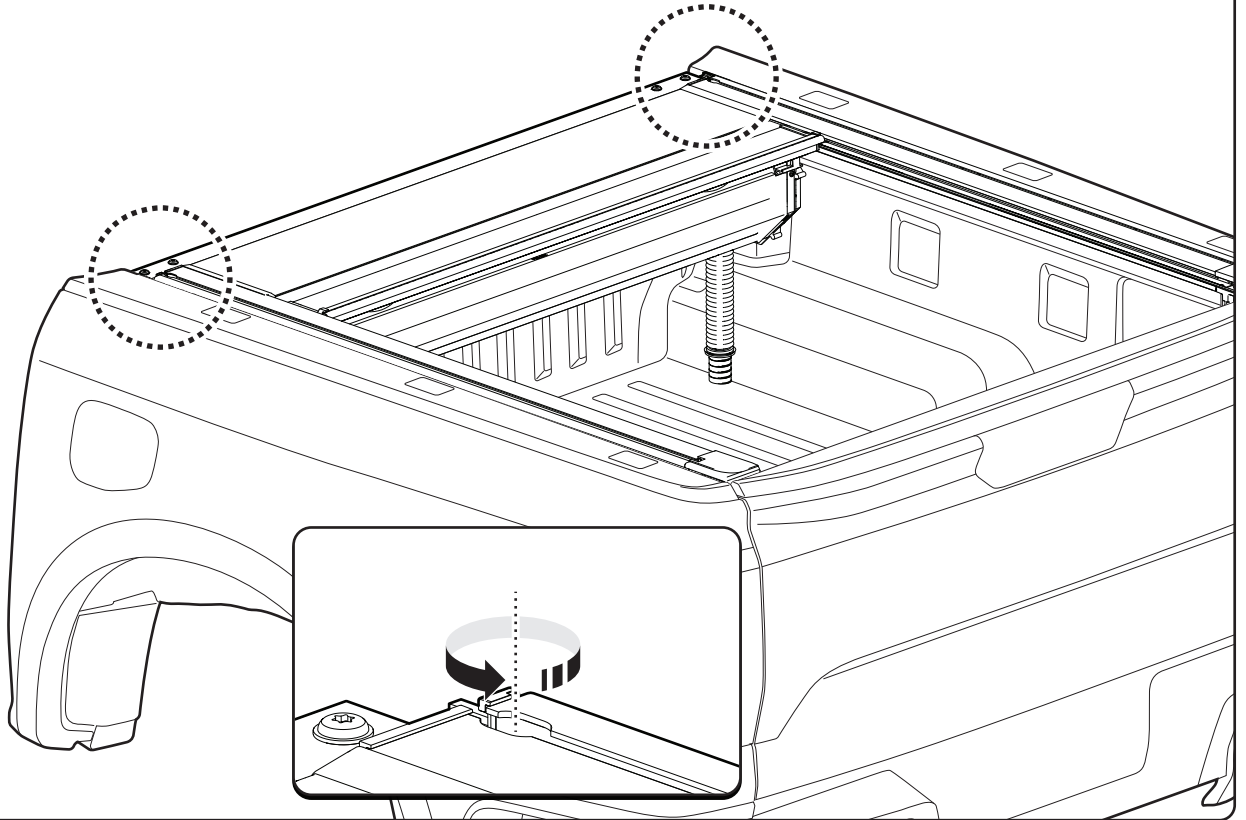




T30

4,8 Nm

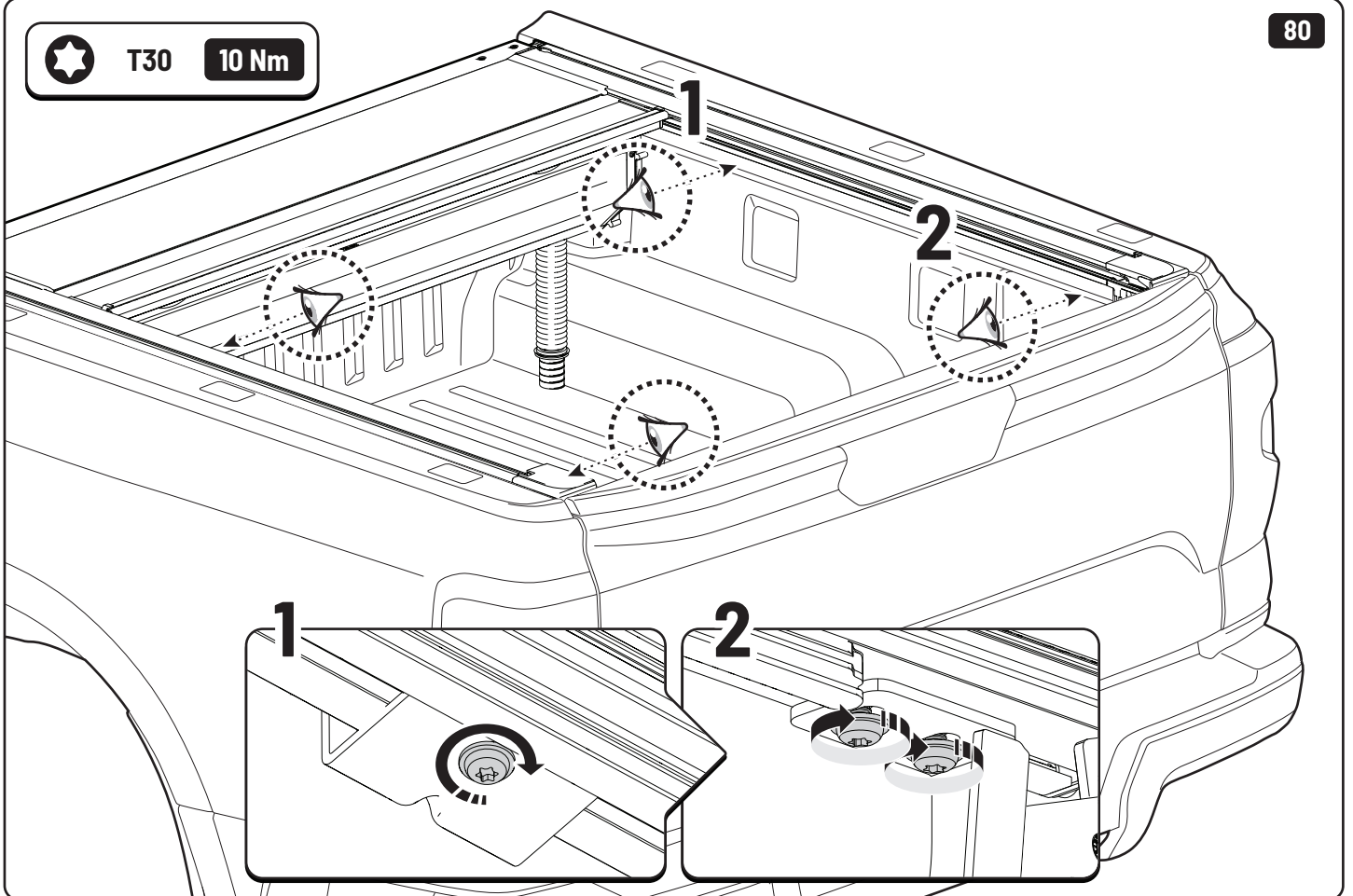
79

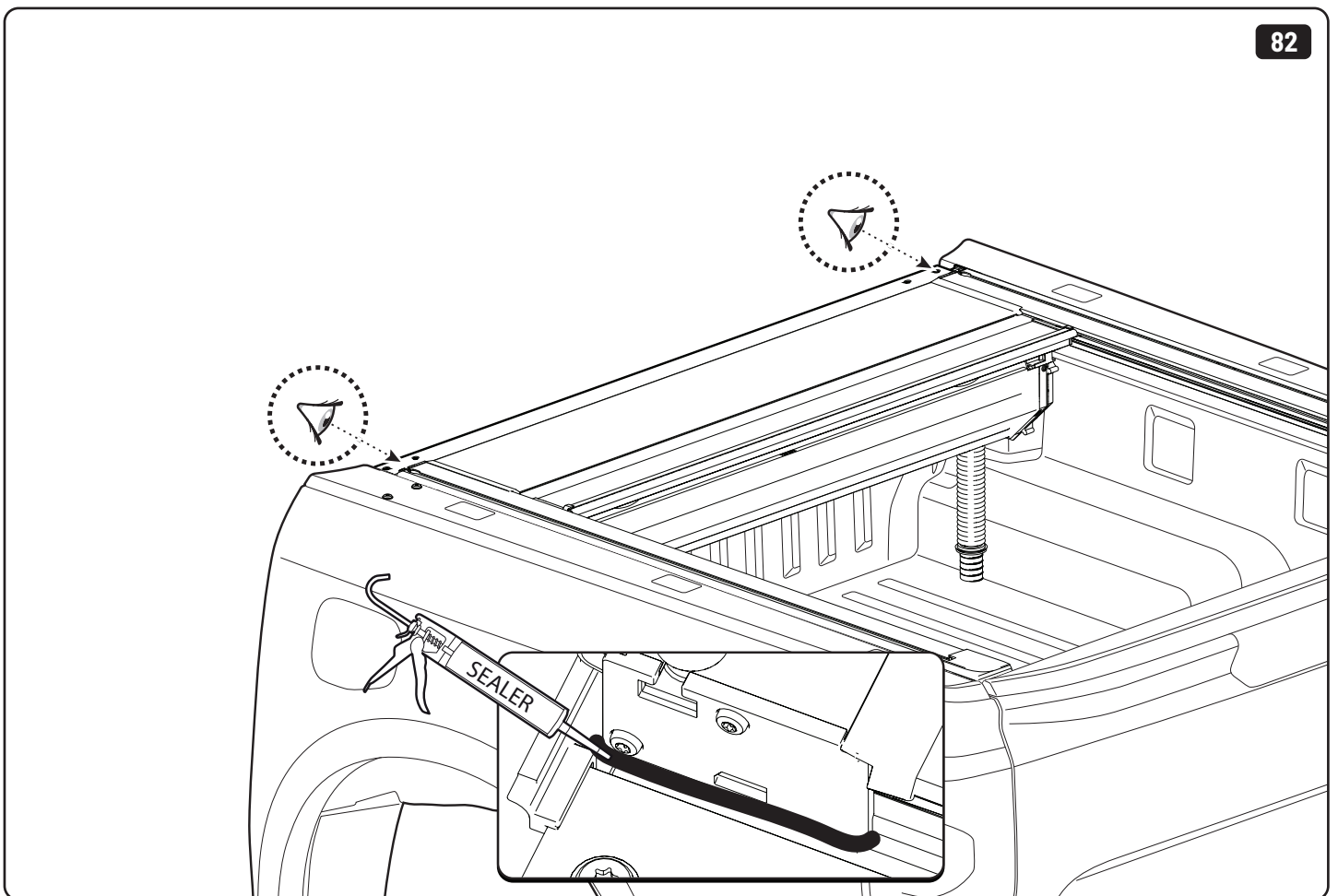
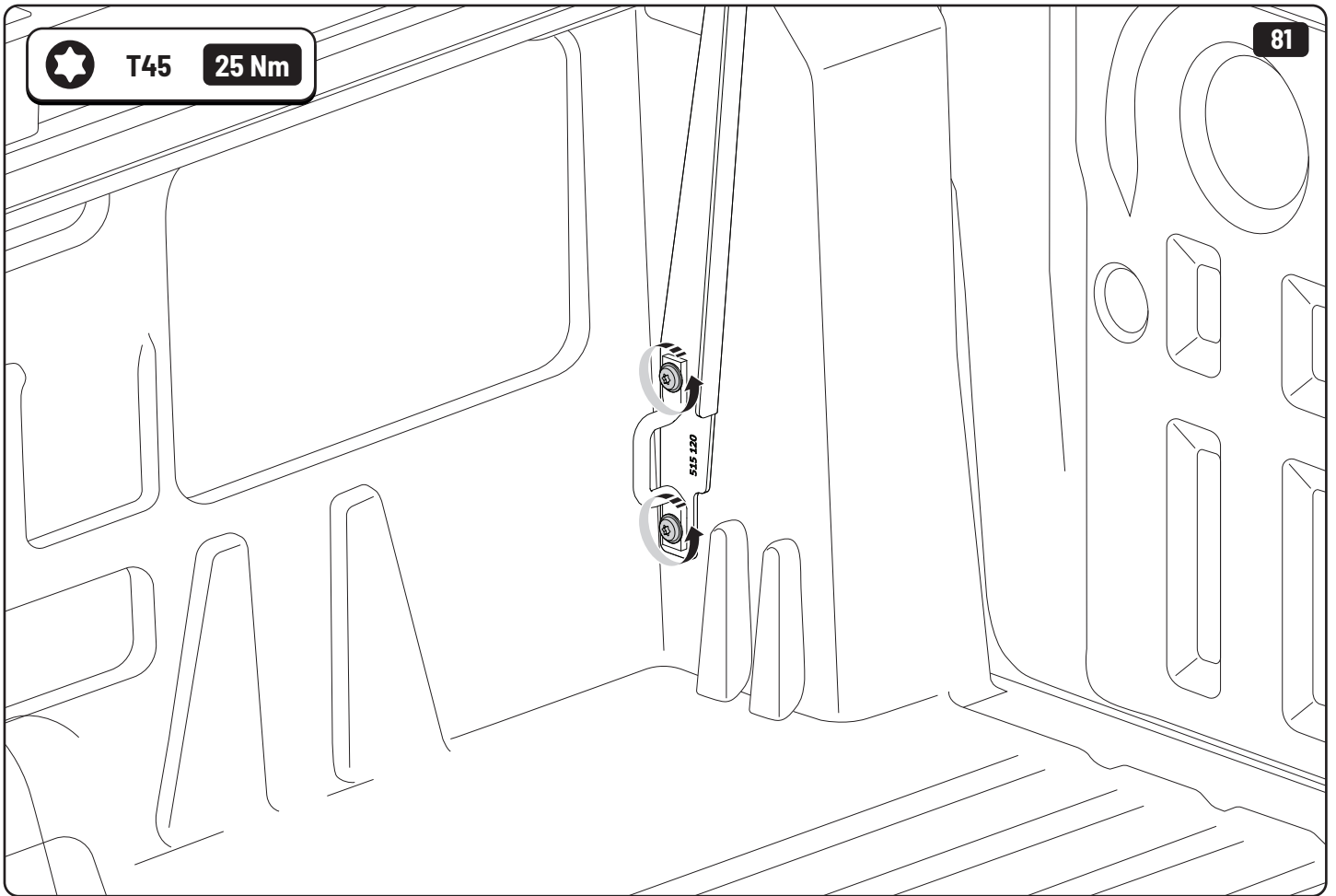


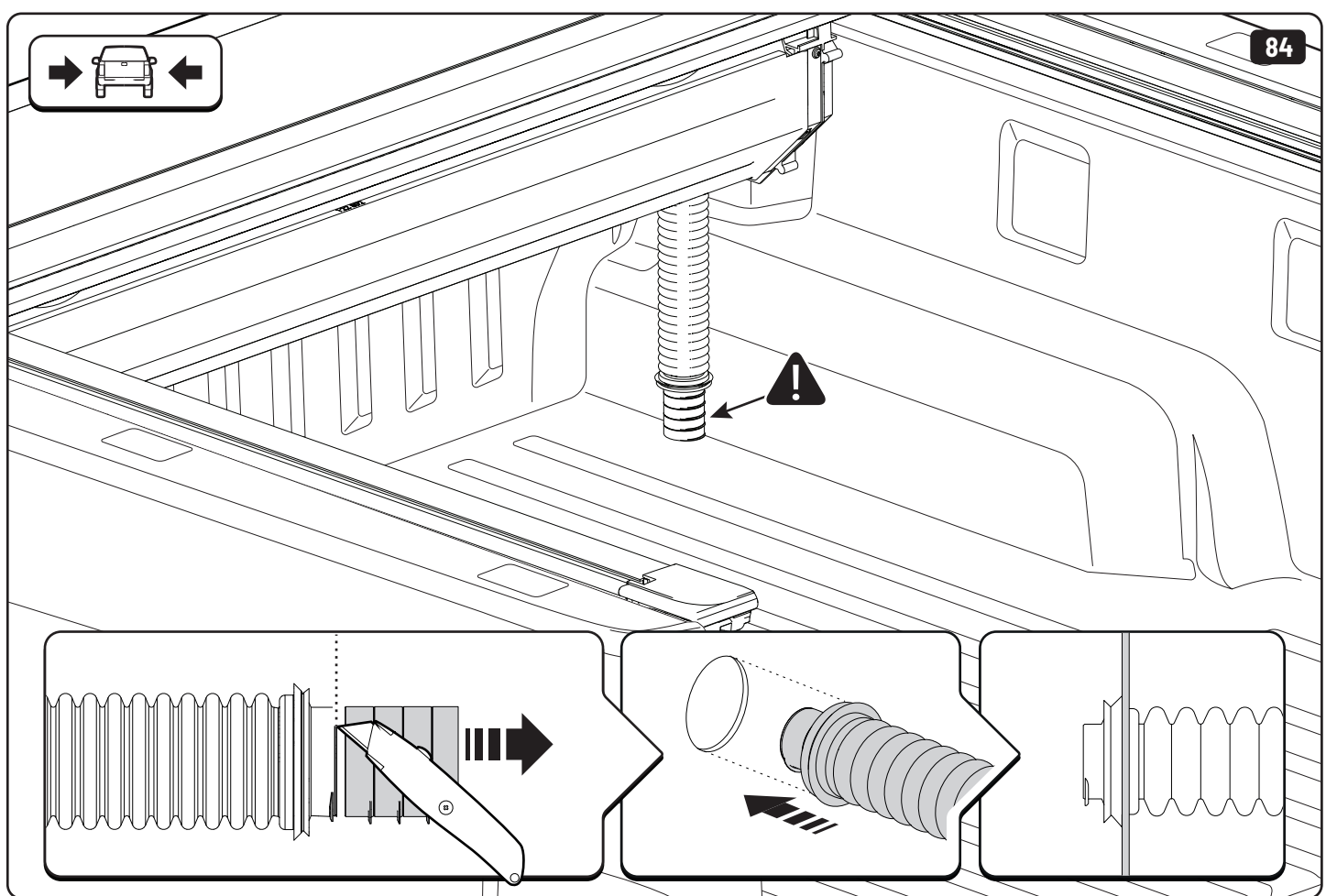
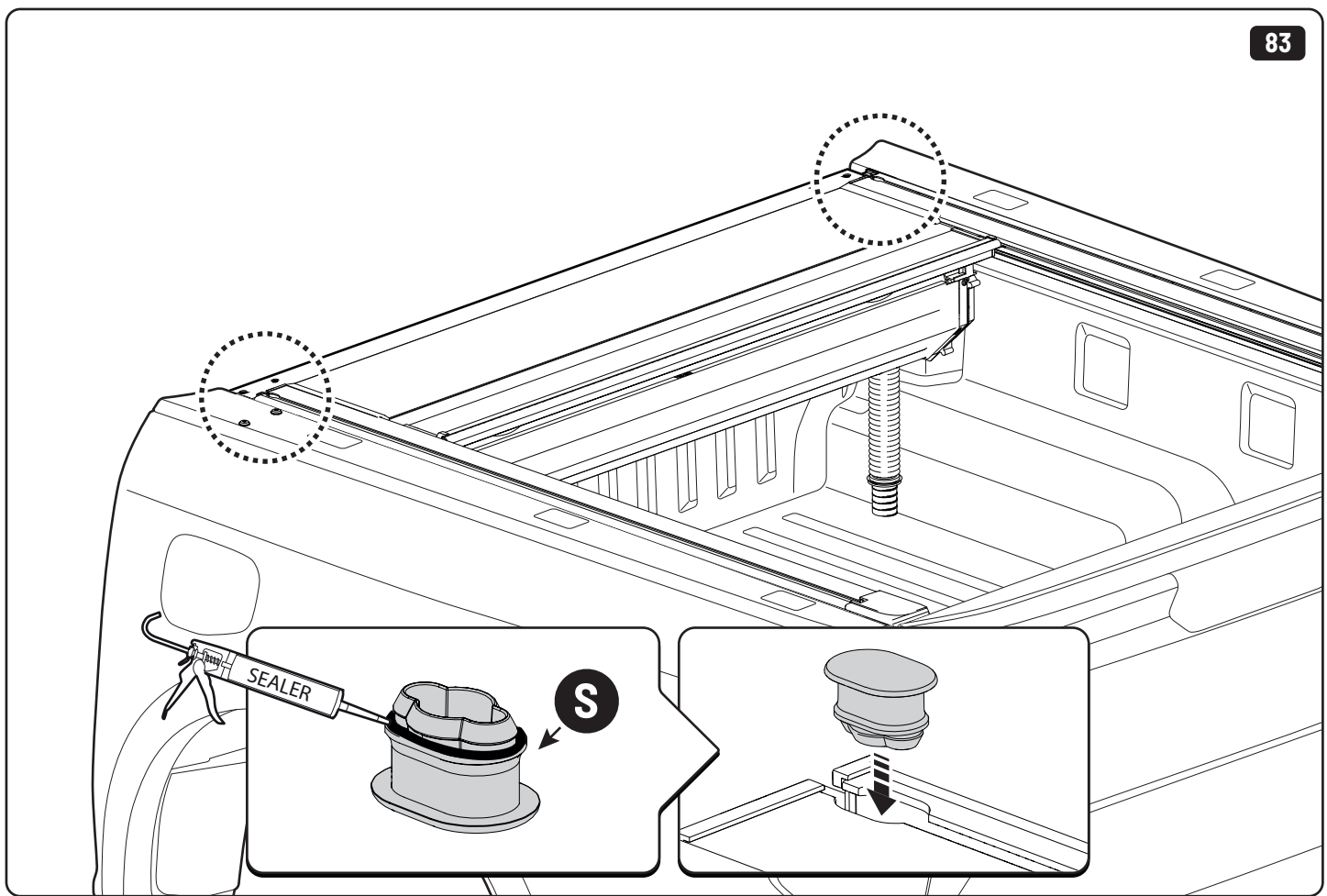
T30

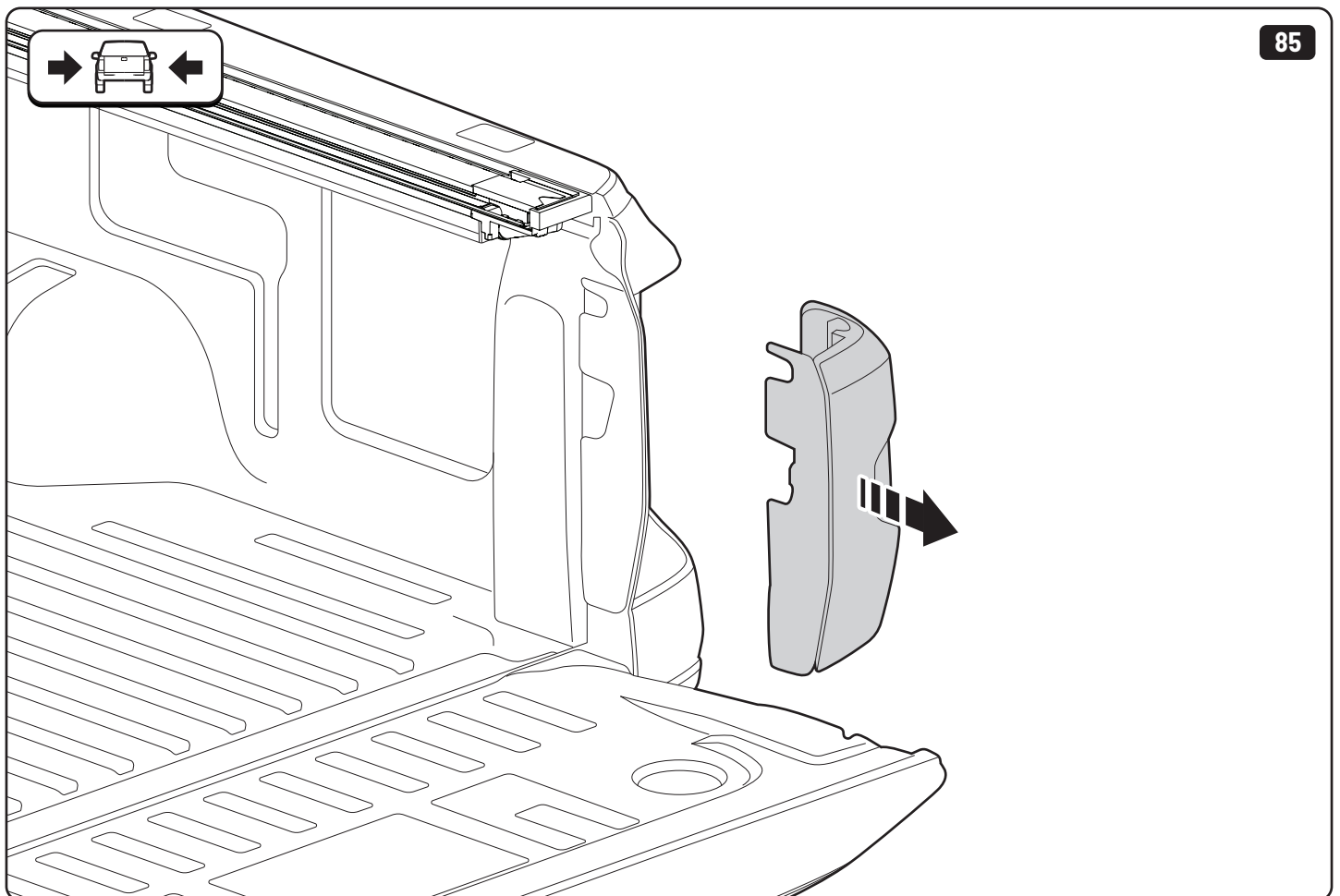
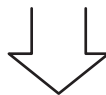
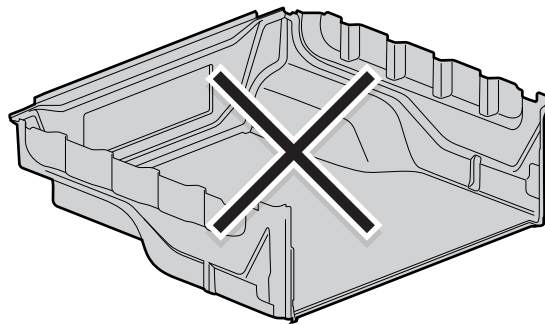
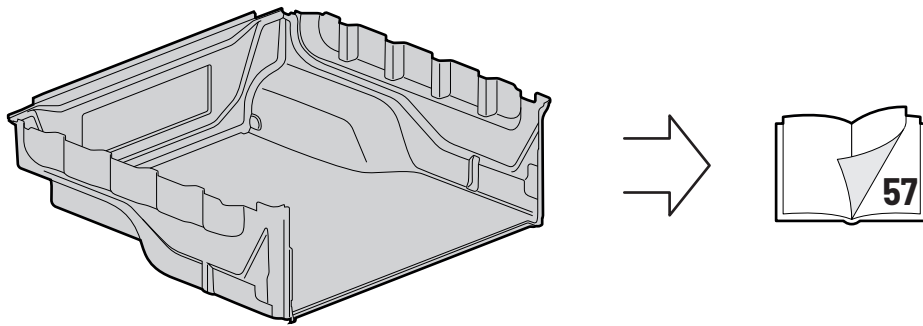
10 Nm

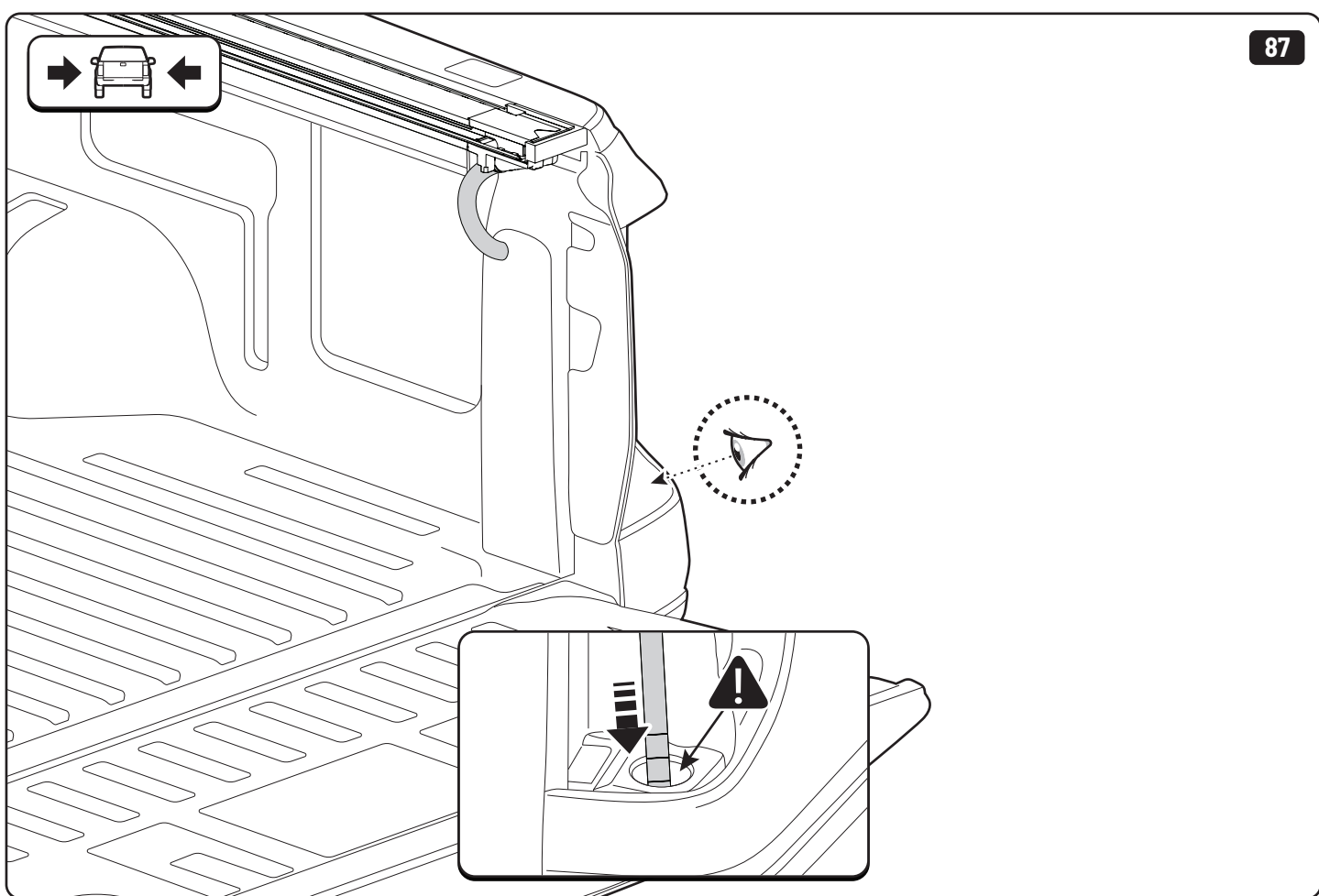
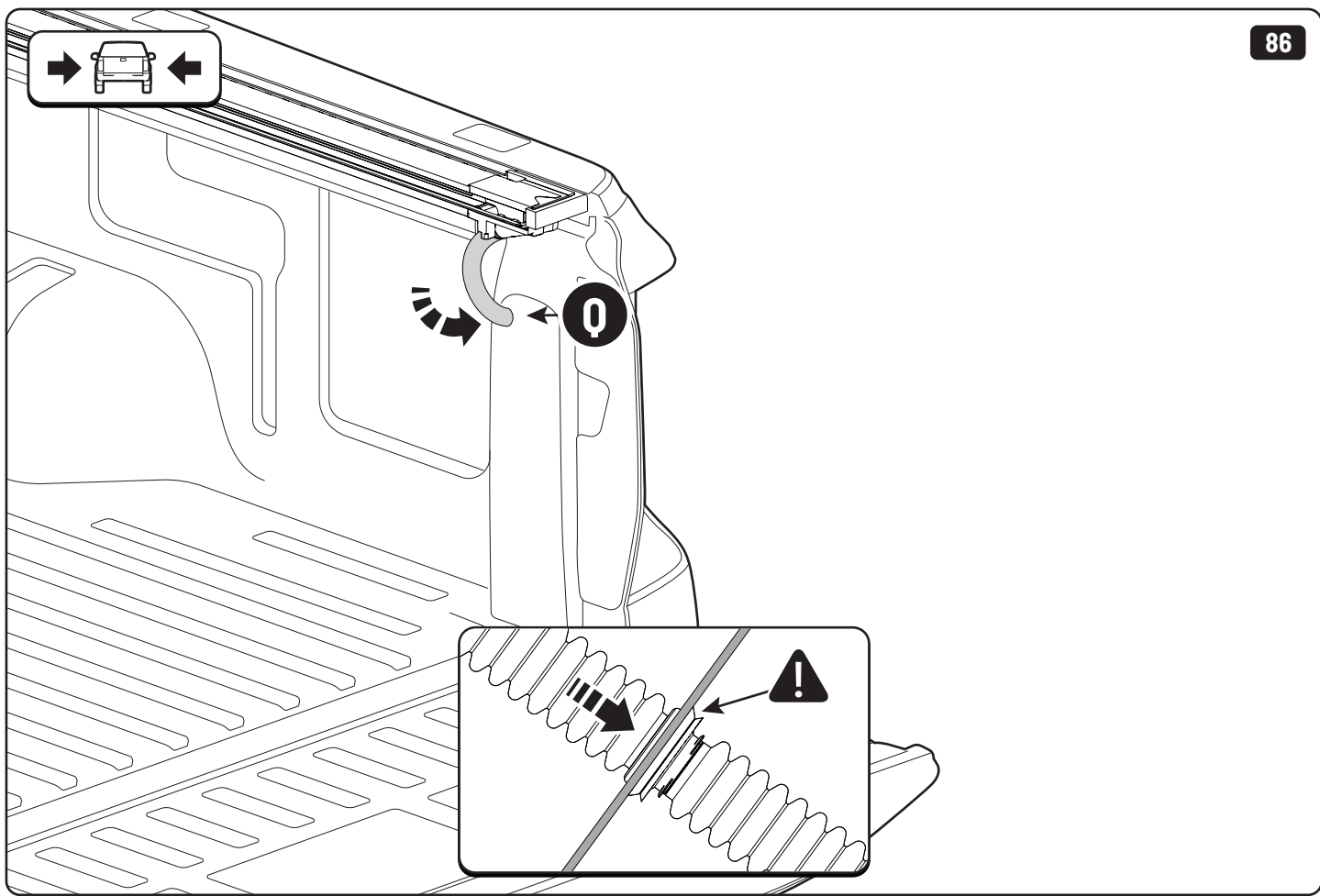
80

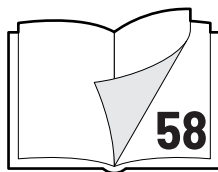
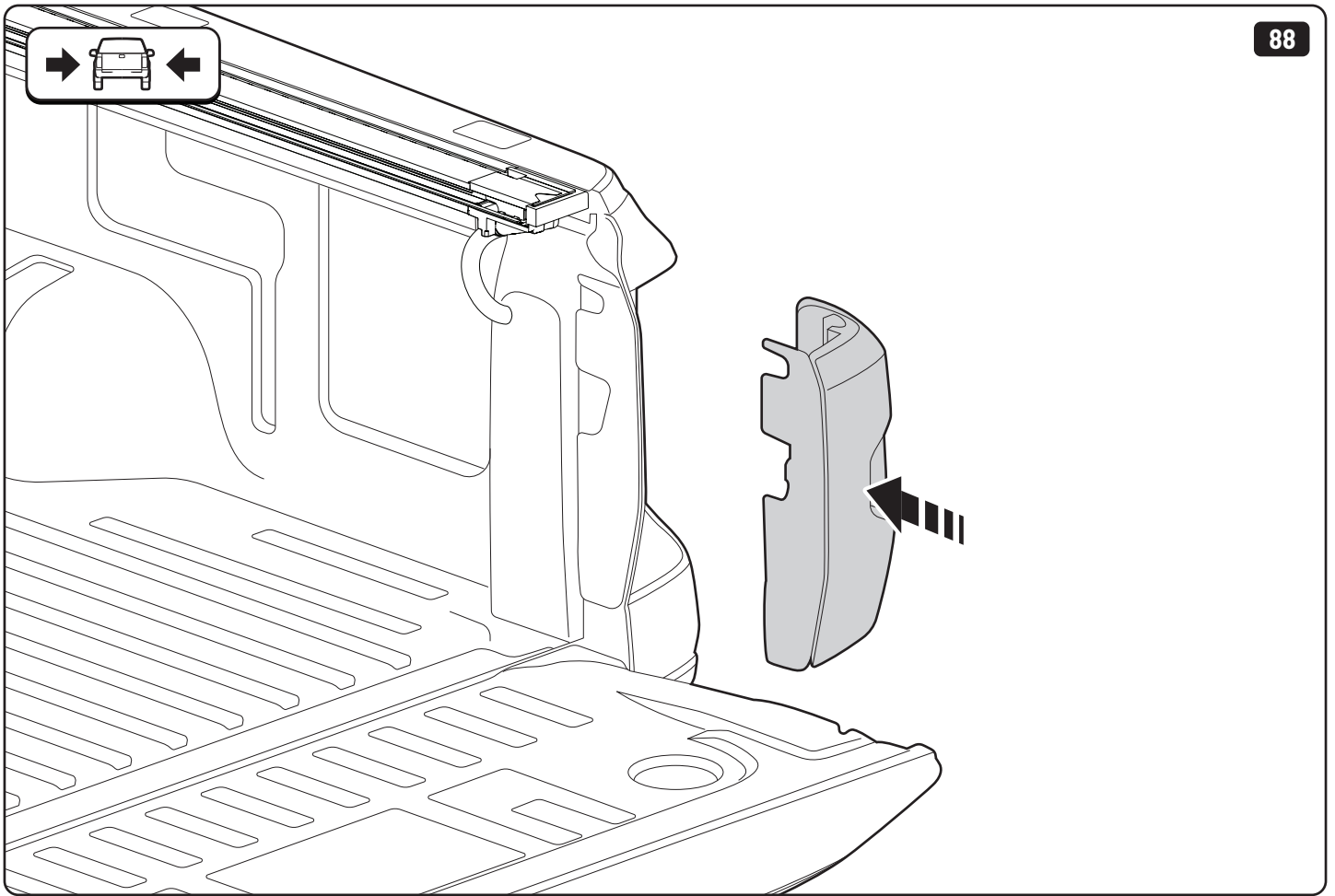


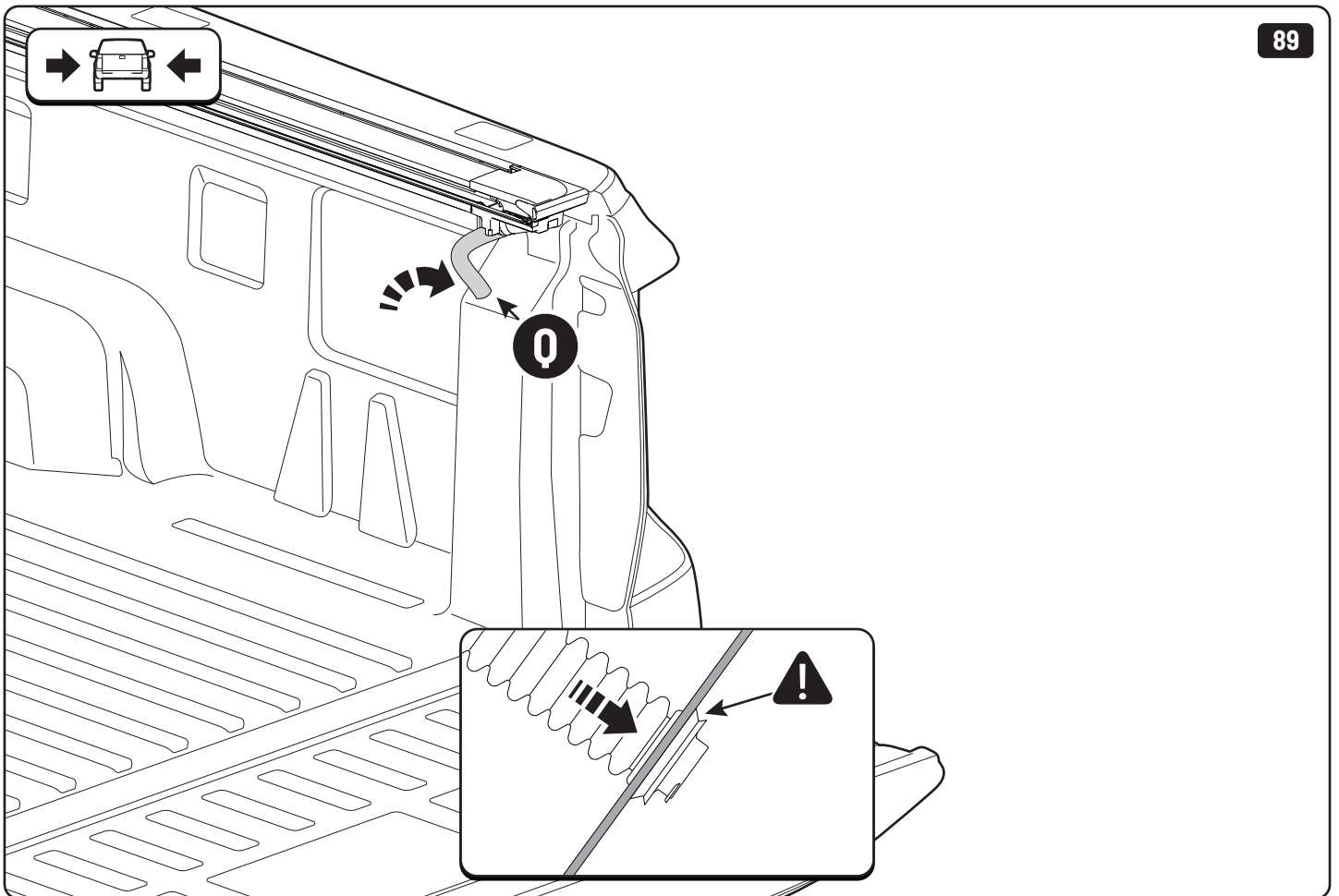
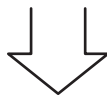
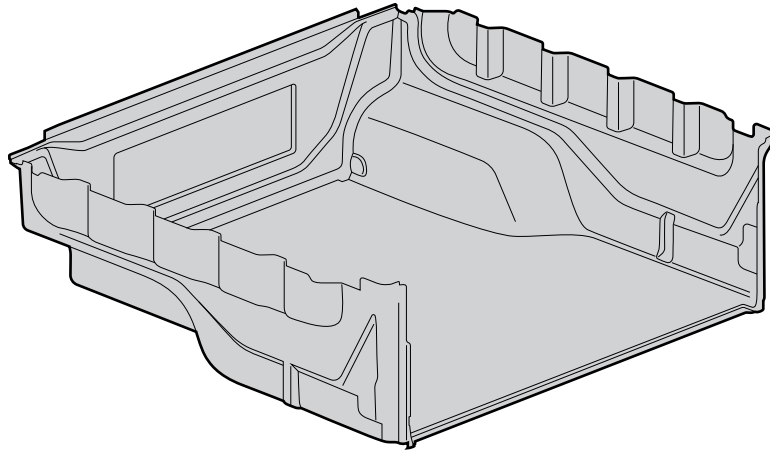


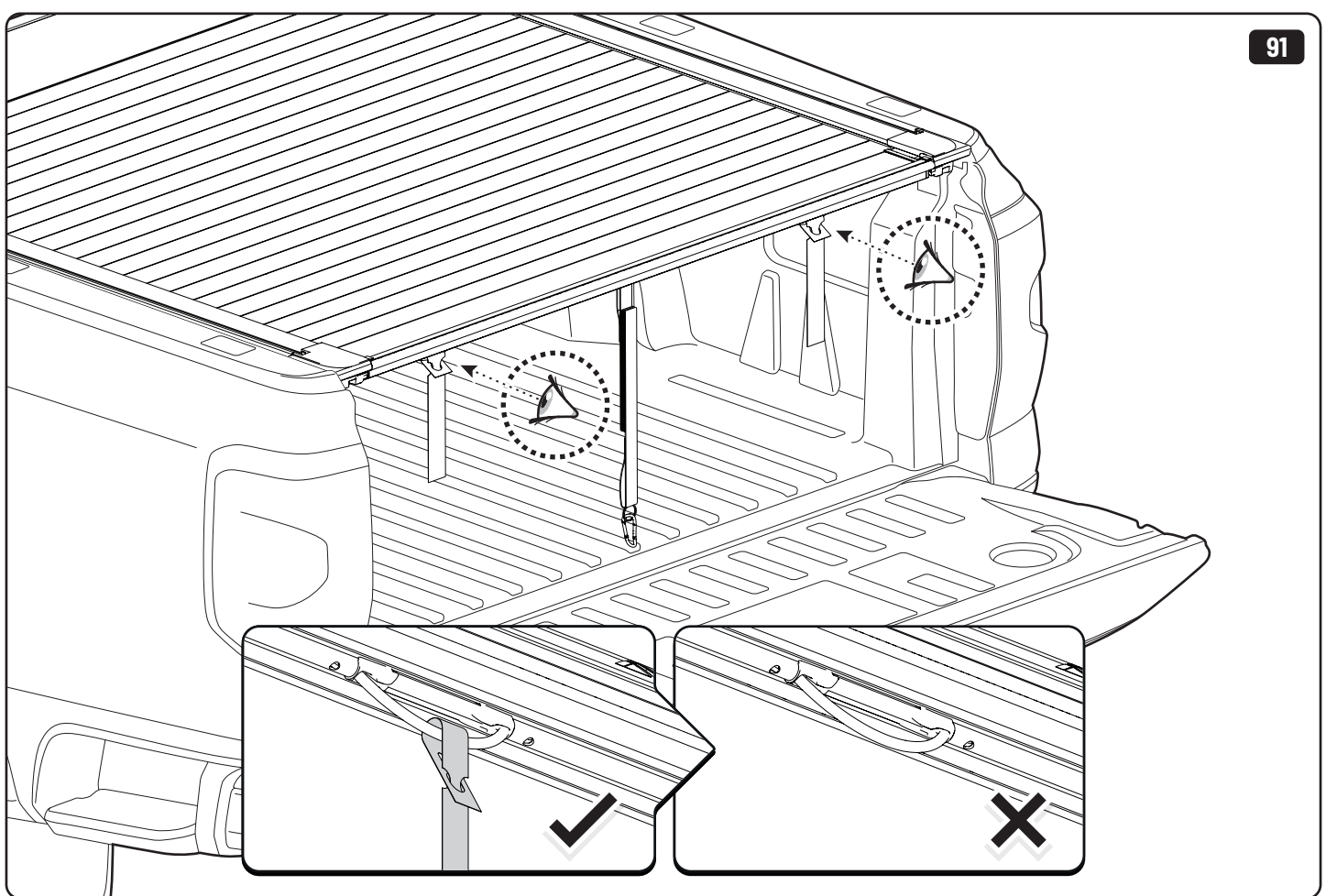
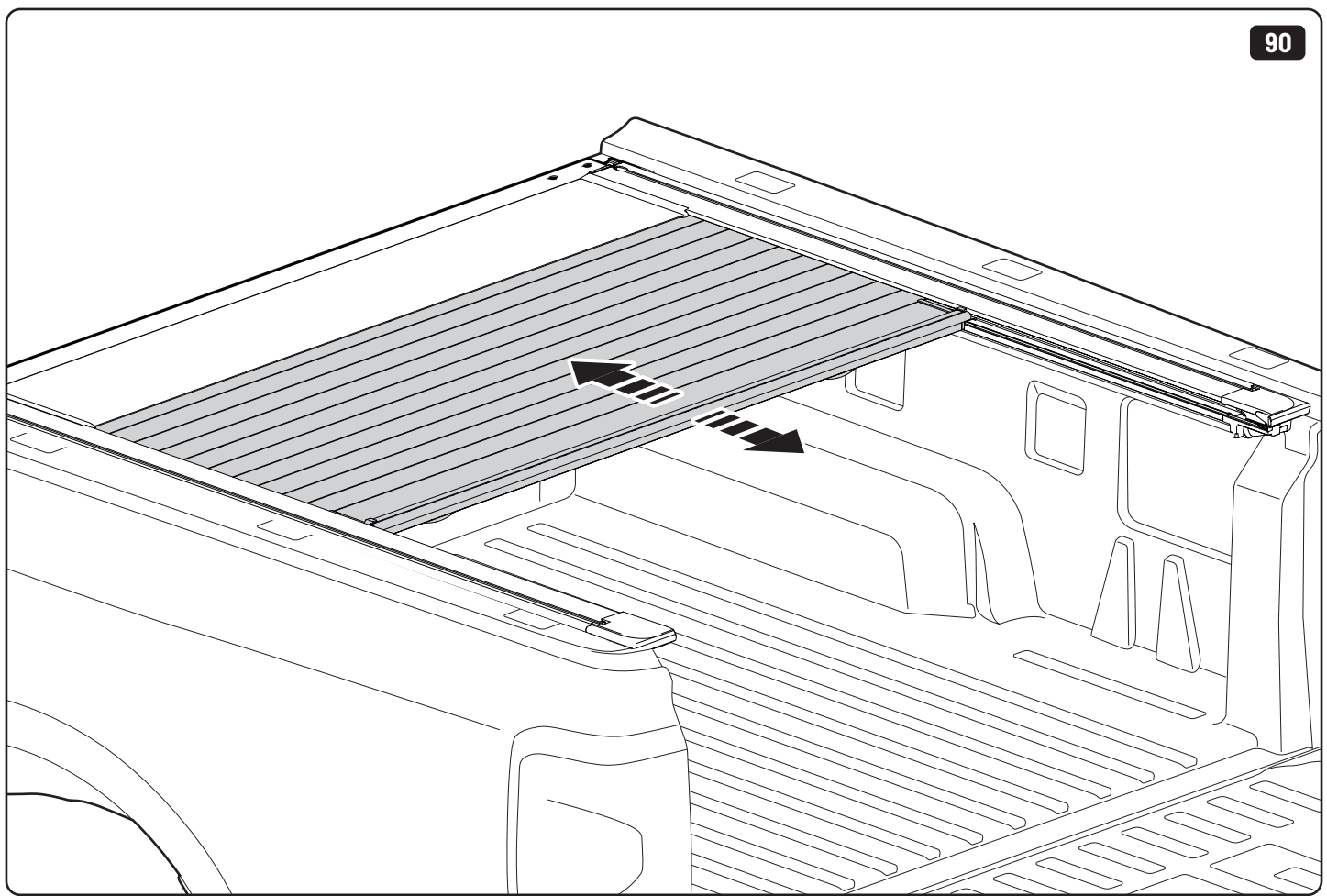


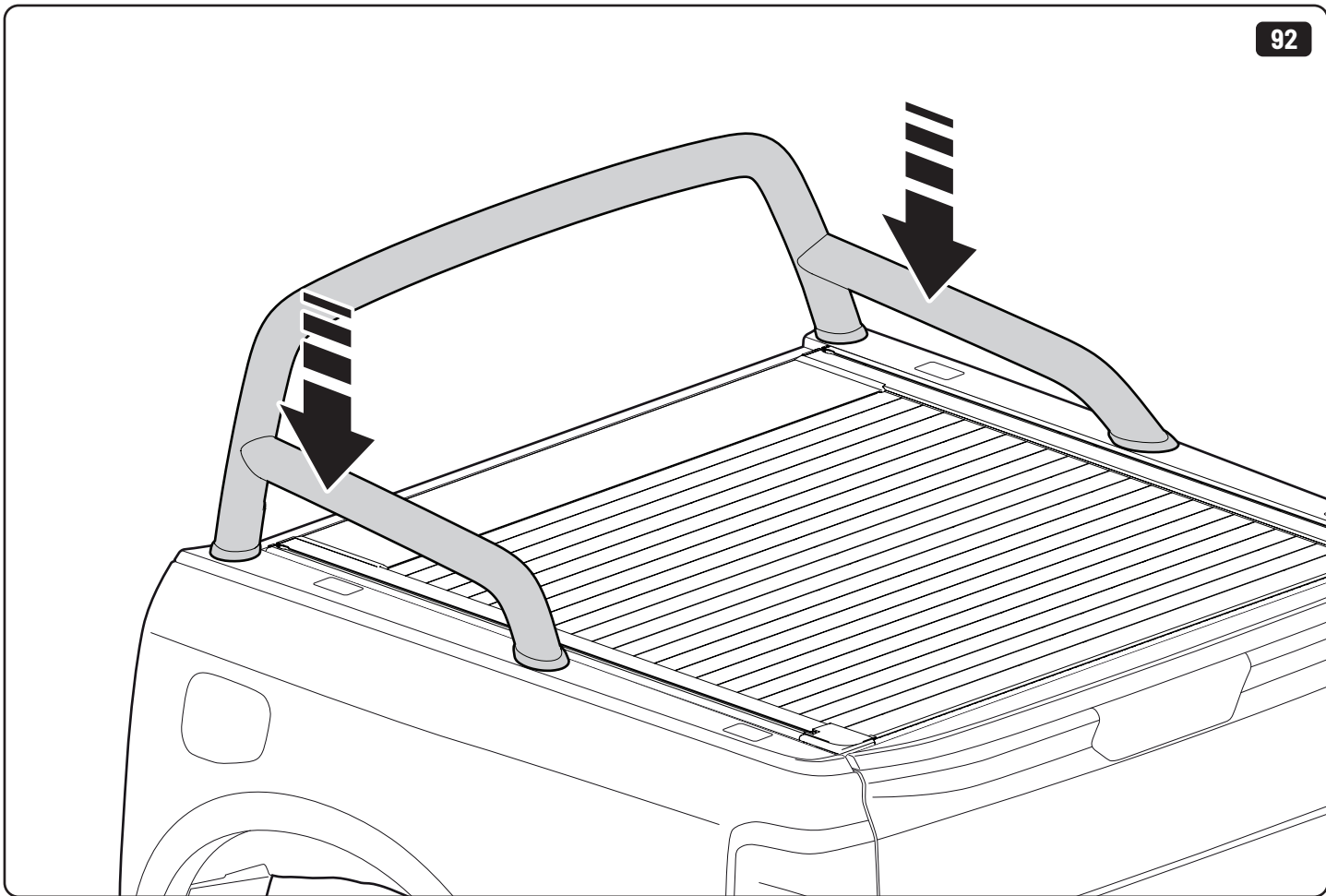














Steps	Page	Done by
Mounting gliding rail in canister	12-13	
Holes for drain	22-24 / 26-28	
Width + Cross measurement	49-50	
Tightening bracket screws	50-52	
Mounting drain	53 + 54-56 / 57	
Check operation of Roller Shutter	58	



Customer Service +45 4810 2950 (08:00 - 16:00 CET)
Support info@mountaintop.dk
Website www.mountaintop.dk
Address Pedersholmparken 10, 3600 Frederikssund, Denmark

Part number (s)	Model / Year	Cab type (s)	Installation time	Weight
EV0m VW10 HB02	Volkswagen / 2022 ->	Double Cab	1 hour (s)	30 kg

GB Installation manual	S Monteringsanvisning	D Einbauanleitung
SF Asennusohje	I Instrucciones de montaje	CZ Návod k instalaci
F Notice de montage	H Szerelési utasítás	I Istruzioni di montaggio
PL Instrukcja montażu	P Instruções de instalação	GR Οδηγίες Εγκατάστασης
NL Installatie-instructies	RUS Инструкция по установке	DK Monteringsvejledning
TR Montaj Talimatı	N Monteringsveiledning	RO Instructiuni de instalare