

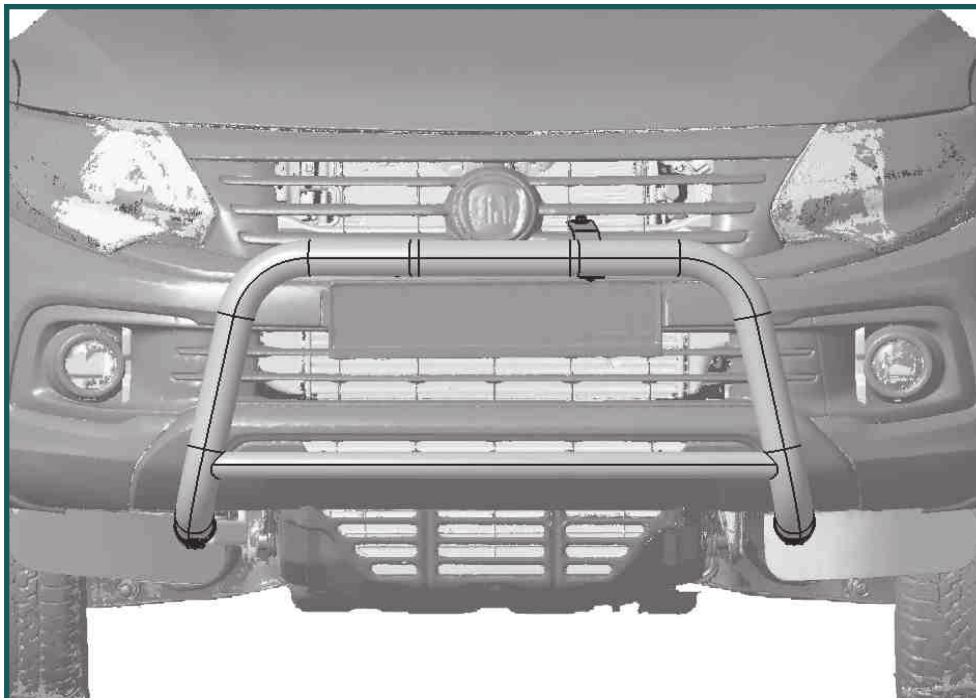
17W
4413N

**Fiat Fullback Md. 2016 +
Fiat Fullback Cross Md.2018**

EU-pedestrian protection bar 60 mm with cross pipe 42 mm

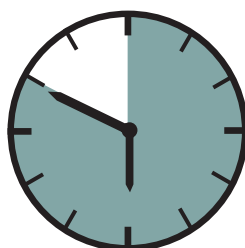
EU-Personenschutzbügel 60 mm mit Querrohr 42 mm

Protection avant, homologuée CEE, 60 mm, traverse 42 mm



ASSEMBLY INSTRUCTION

Montageanleitung • Instructions de montage



50 Minuten

article no.:

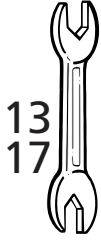
17W4413N (S) inox

17W5413N black steel

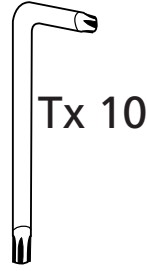
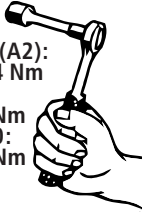
Revision 1: 21.01.2019



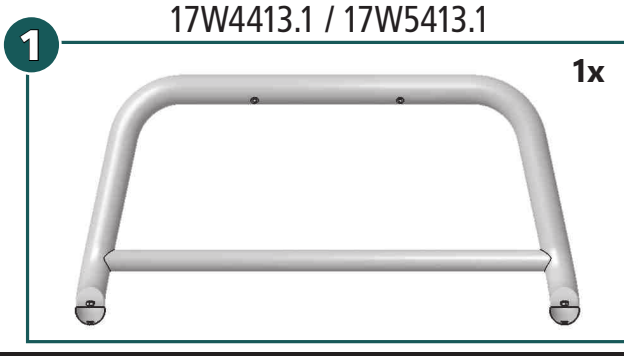
www.antec-online.de



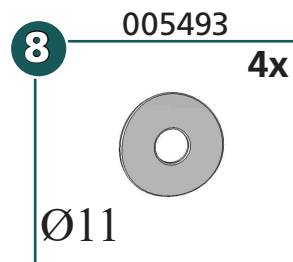
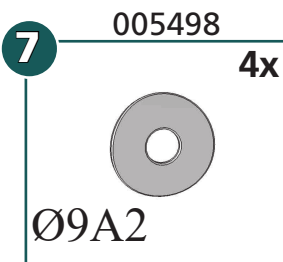
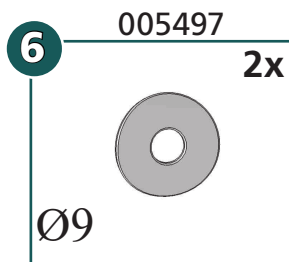
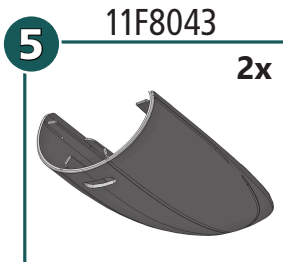
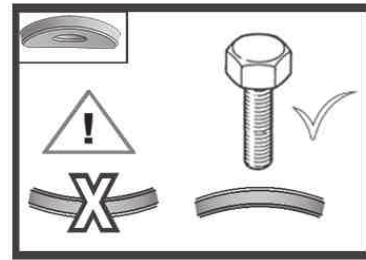
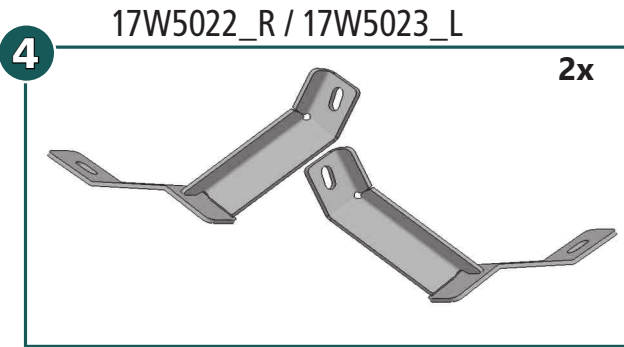
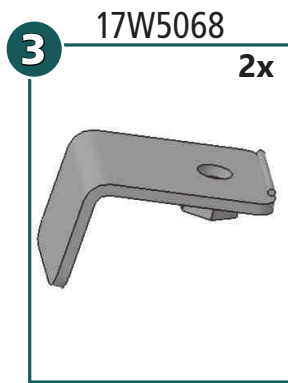
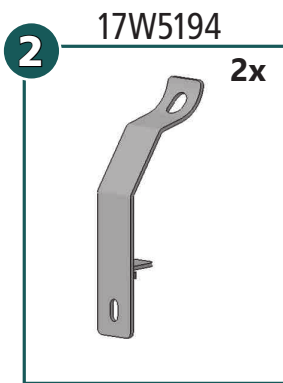
M8 (A2):
21,4 Nm
M8:
25 Nm
M10:
50 Nm



mounting kit: 17W9413N



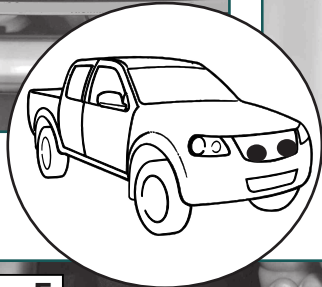
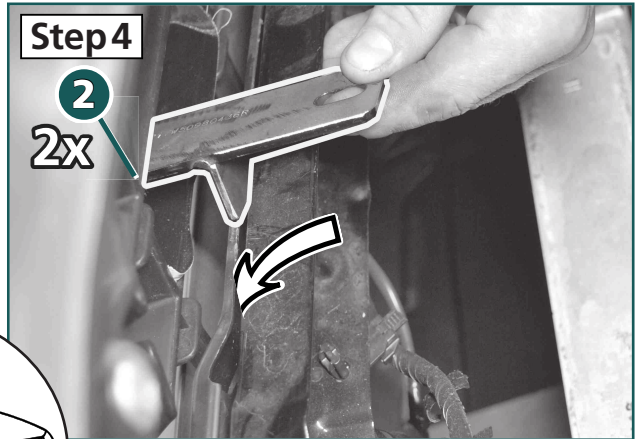
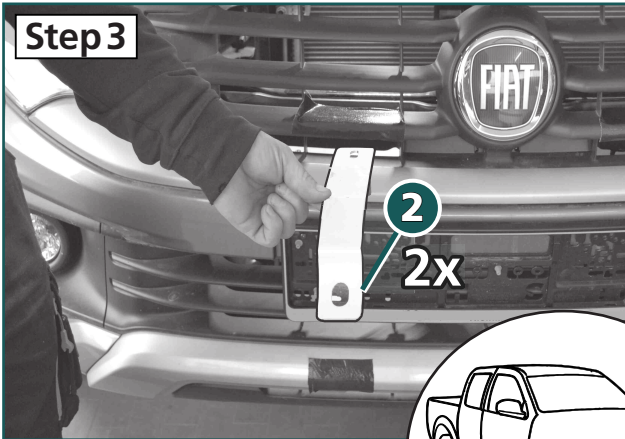
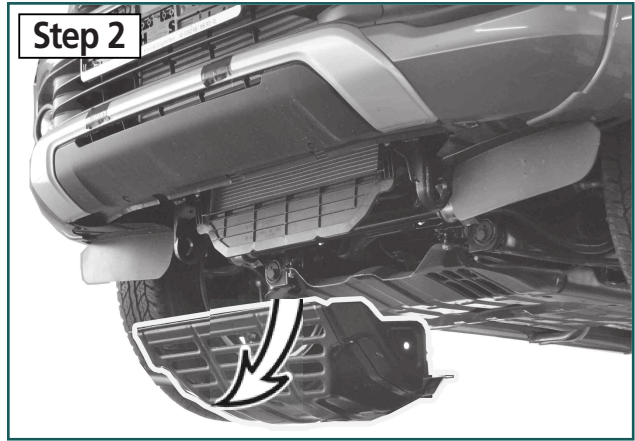
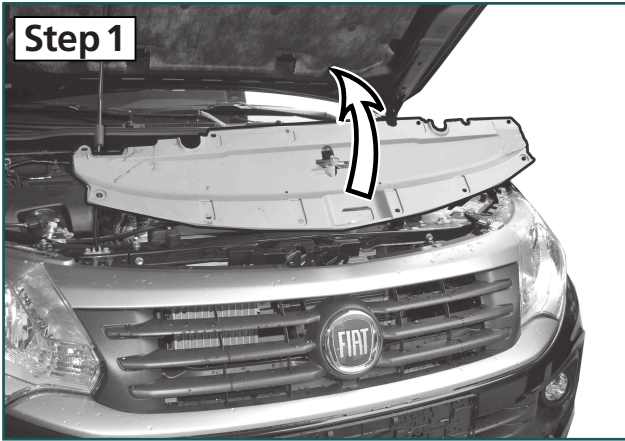
	M8x20; DIN 912 A2	2x
	M8x30; DIN 933 A2	2x
	M8x25; DIN 933 Zn	2x
	M10x90 (85); DIN 933 Zn	2x
	Ø3,5 x 13; ähnl. DIN 7981B A2	2x
	M10; DIN 934 Zn	2x
	Ø 4,2; DIN 9021 A2	2x
	SW 13	2x



article no.:
17W4413N (S) inox
17W5413N black steel

Revision 1: 21.01.2019





M8x25 2x

