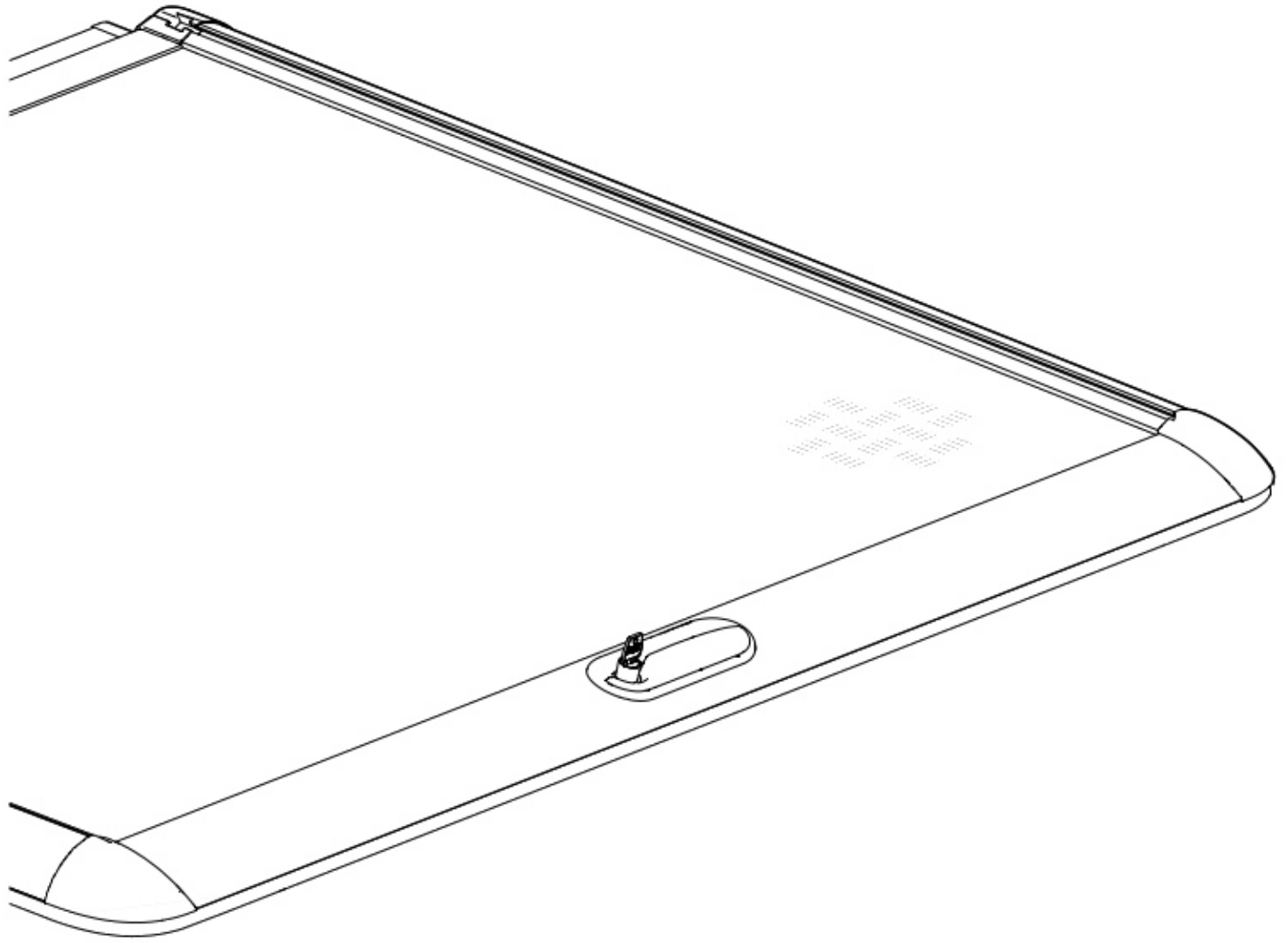


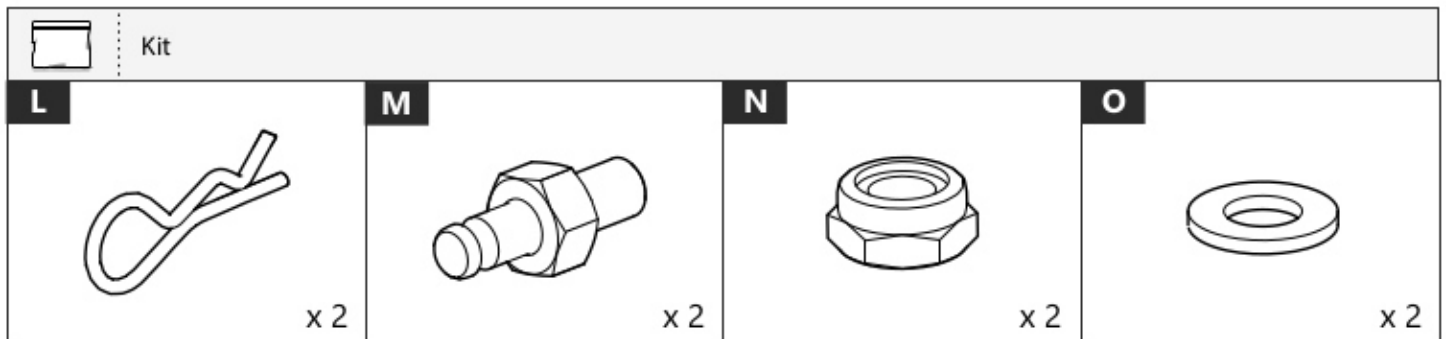
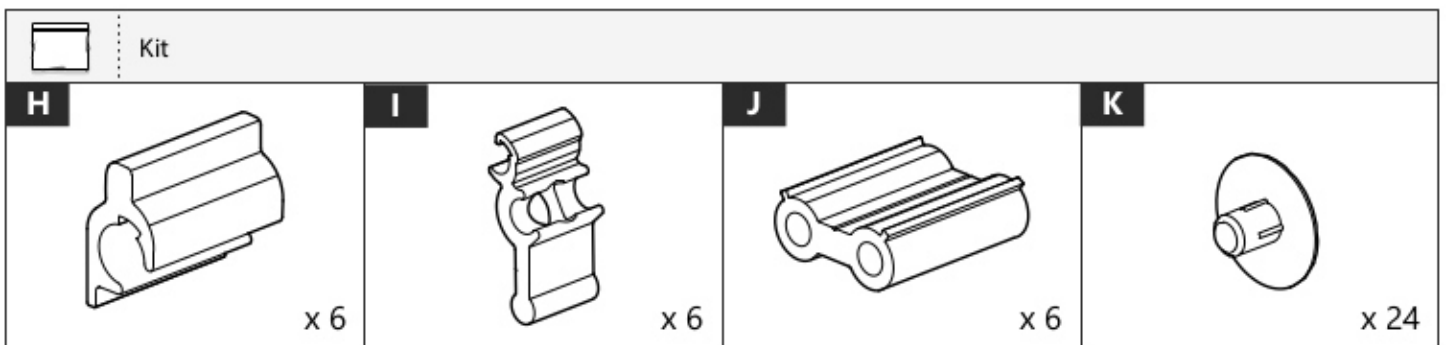
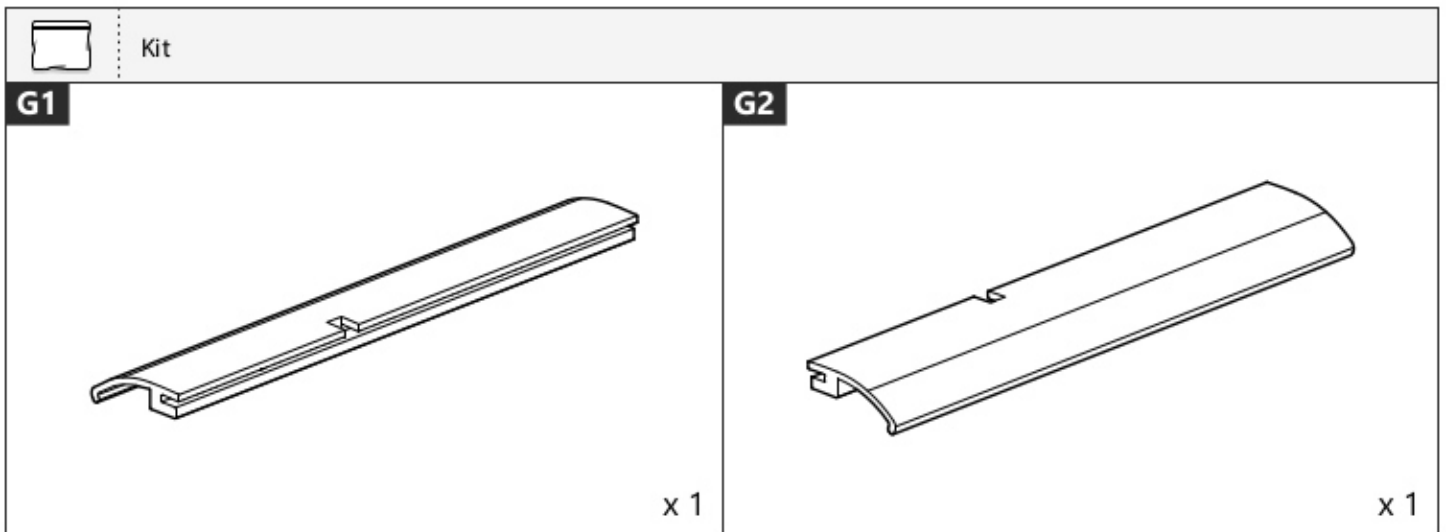
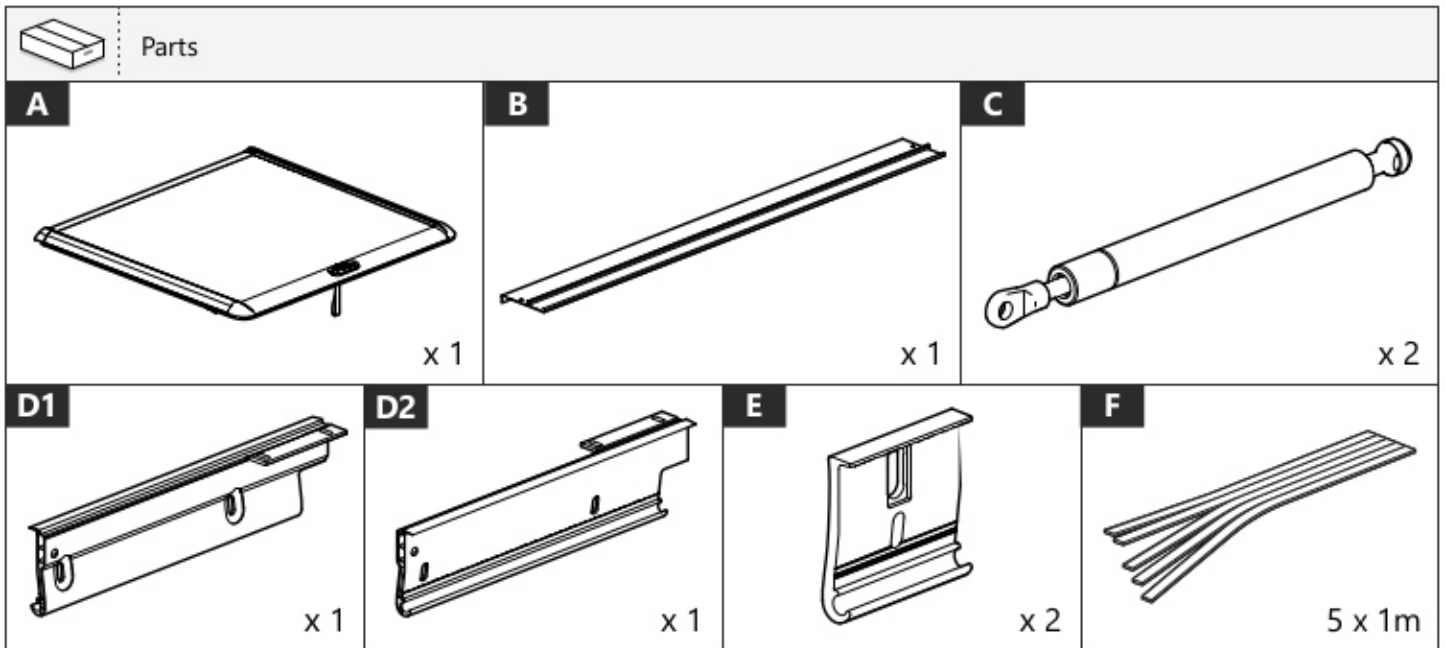


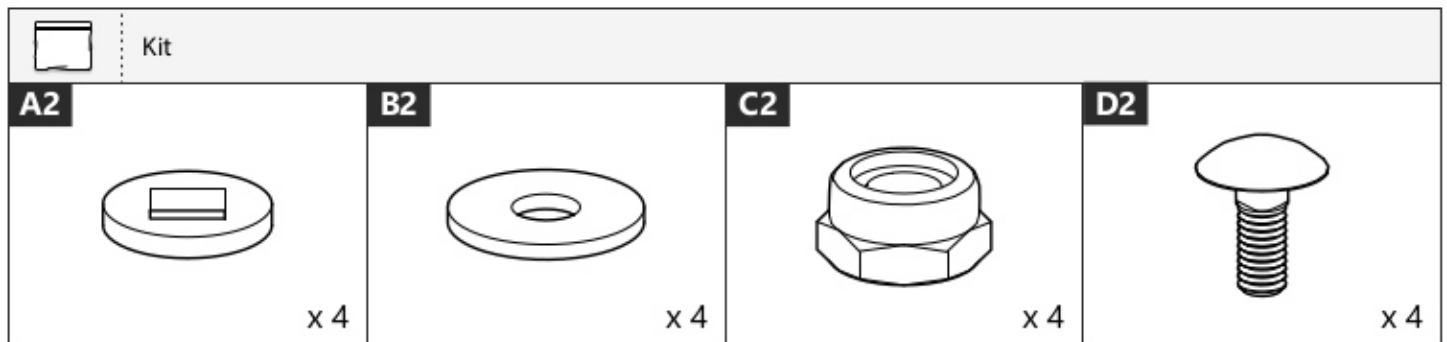
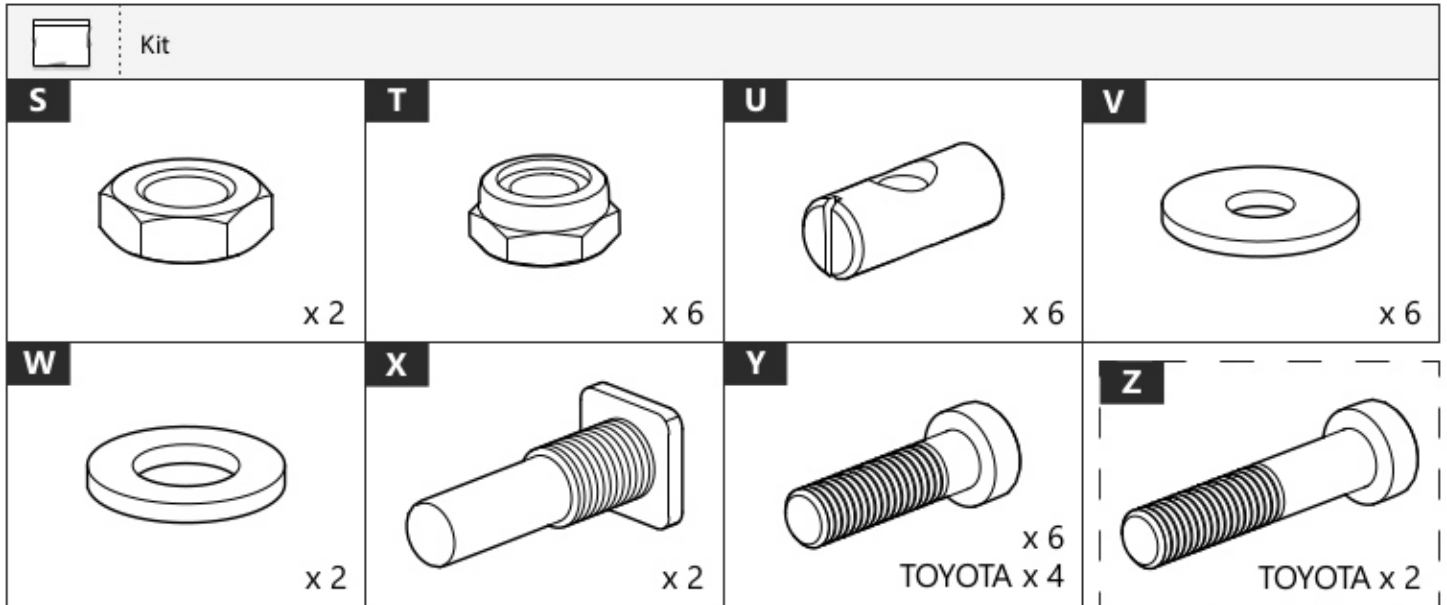
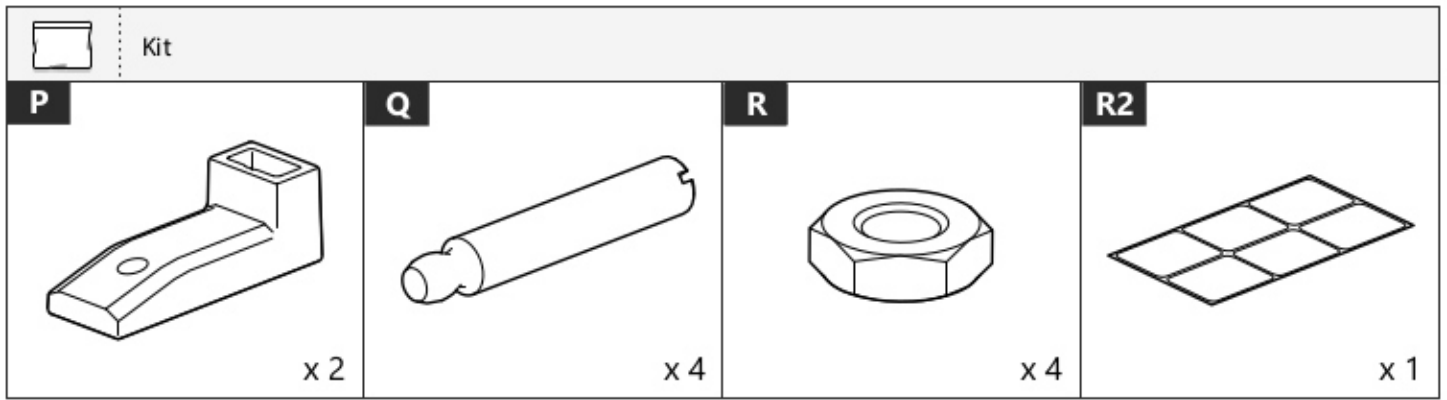
ULLSTEIN
CONCEPTS
GMBH



Mountain Top[®] 2

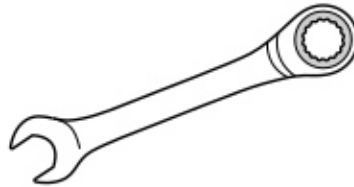
Installation manual





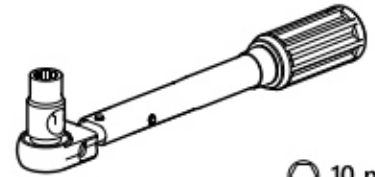


Tools and materials needed



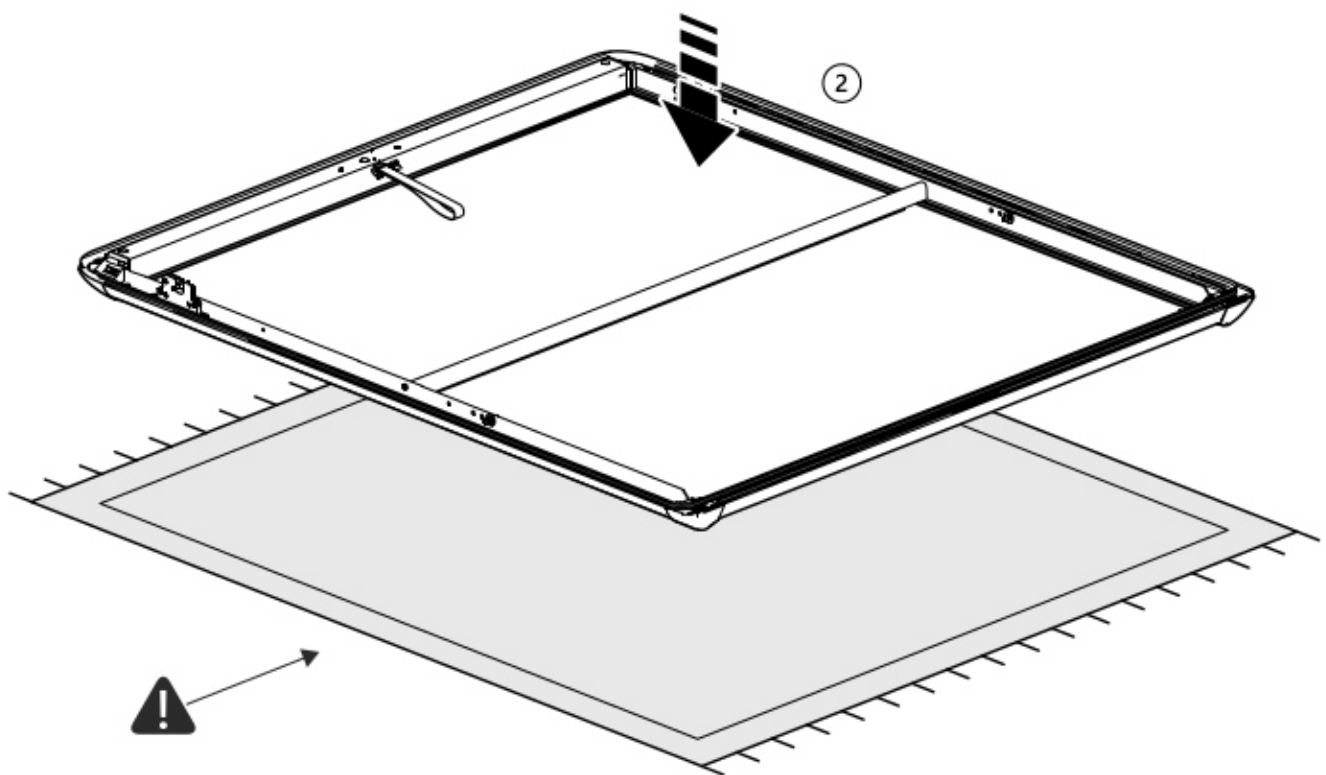
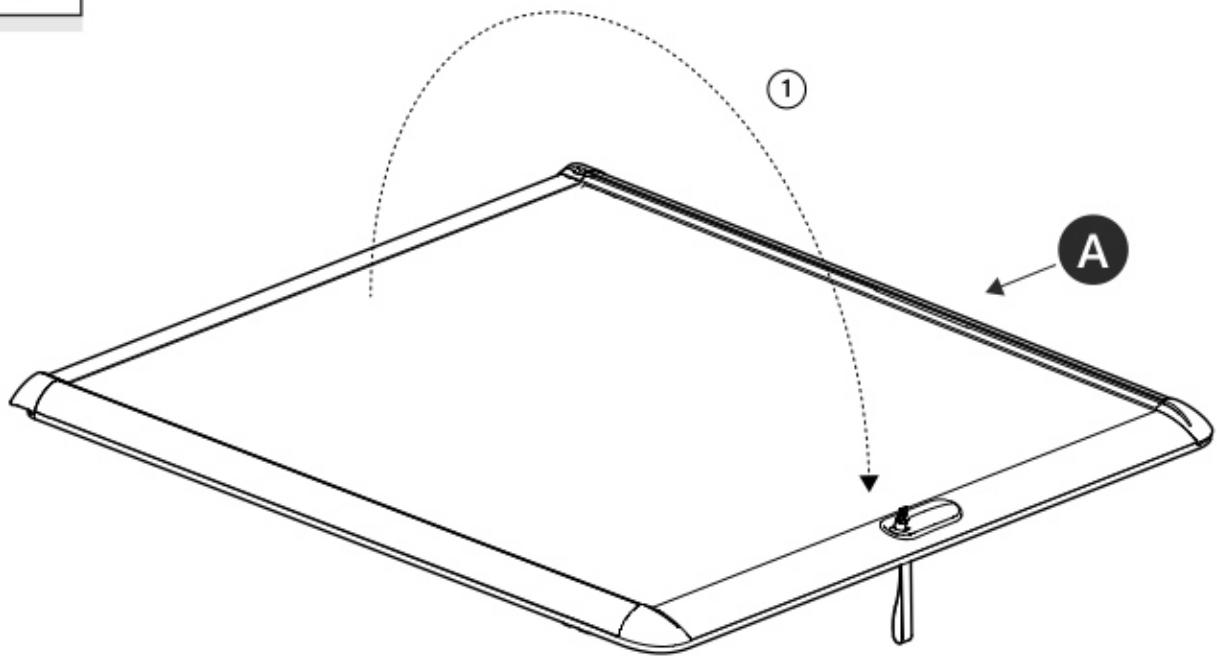
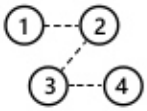
19 mm

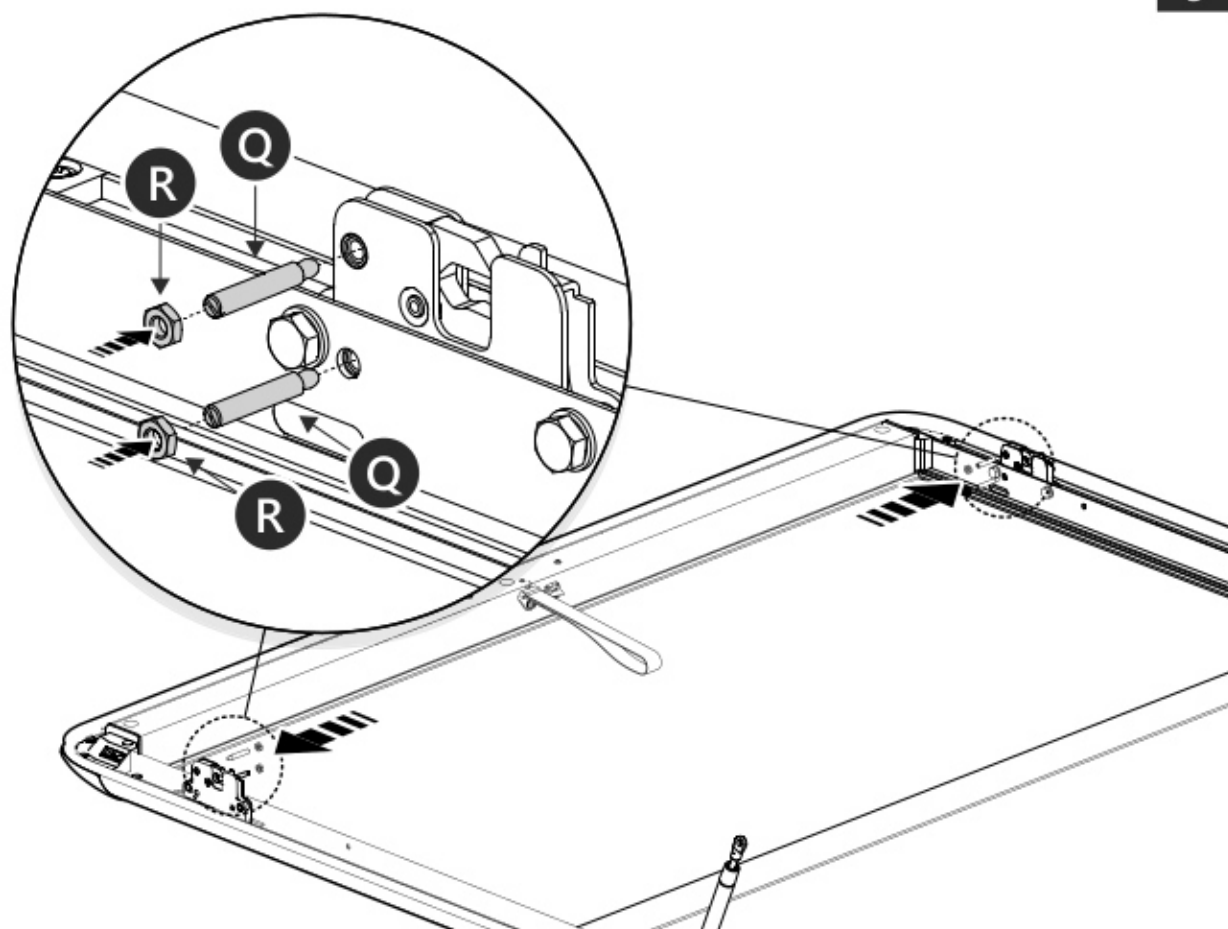
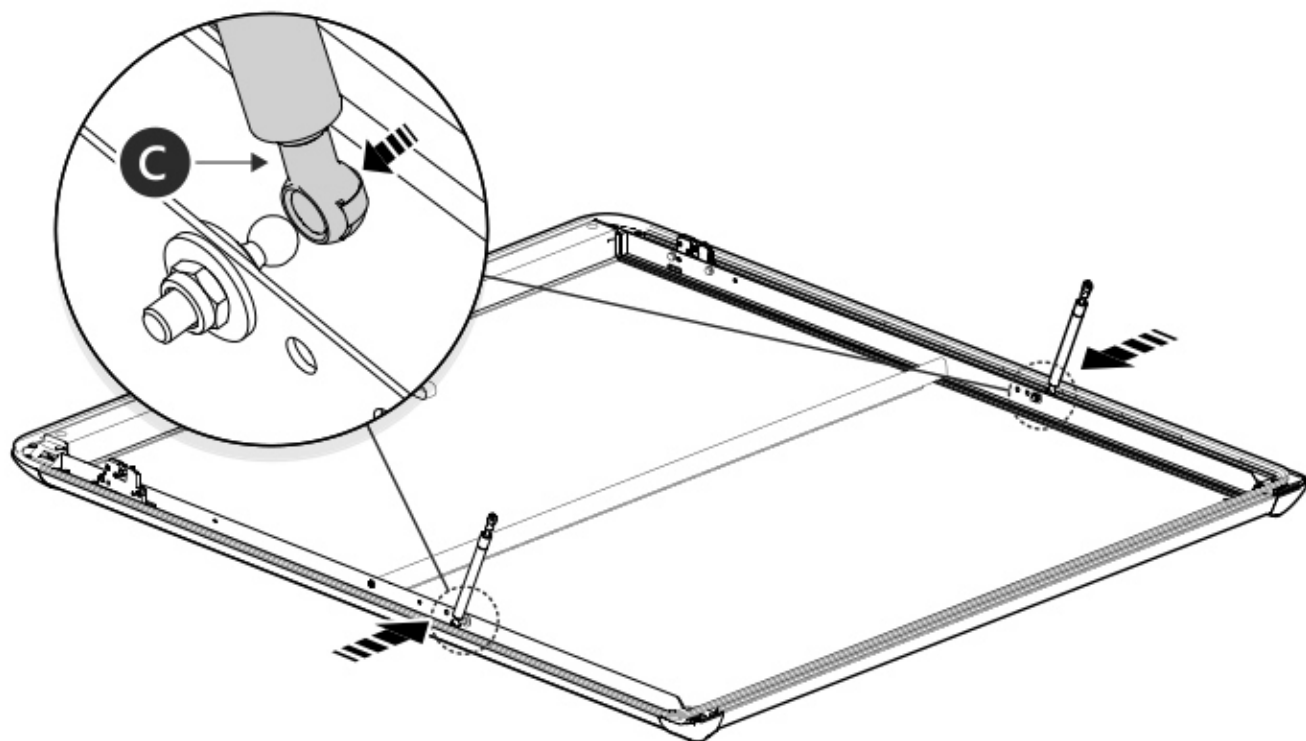
1-25 Nm

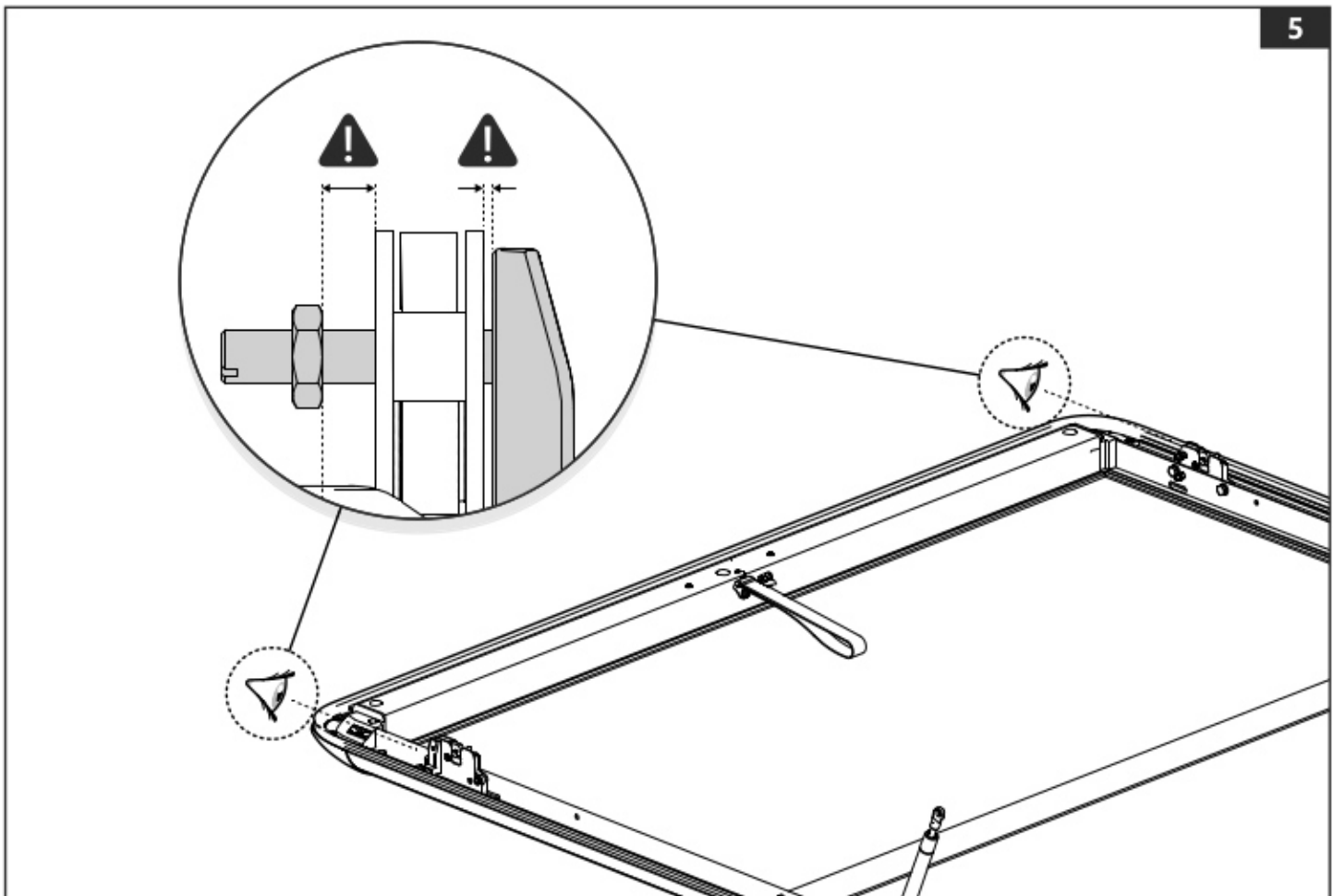
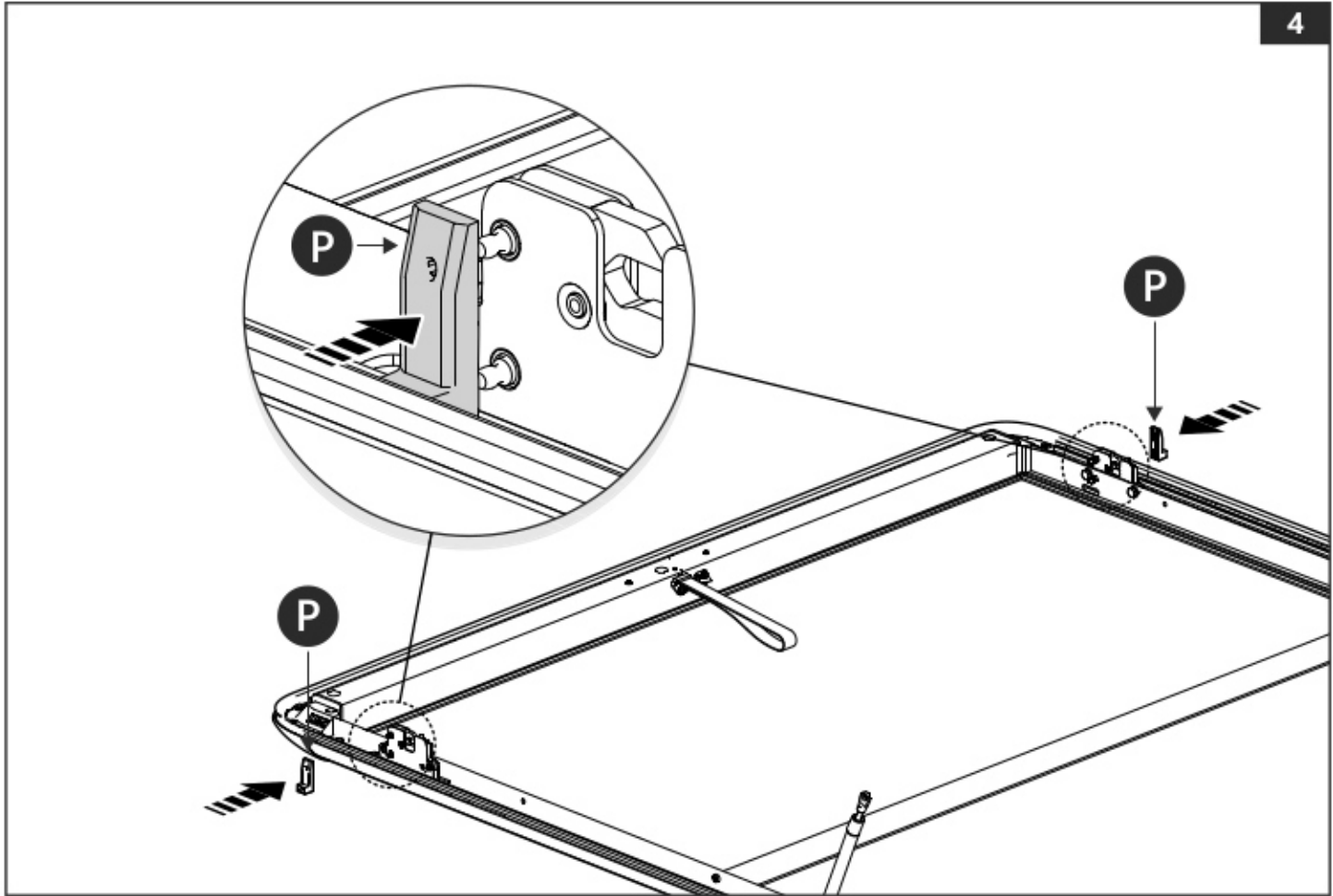


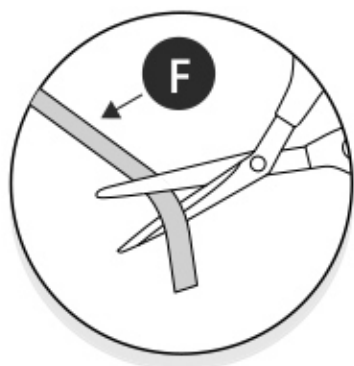
- 10 mm
- 5 mm



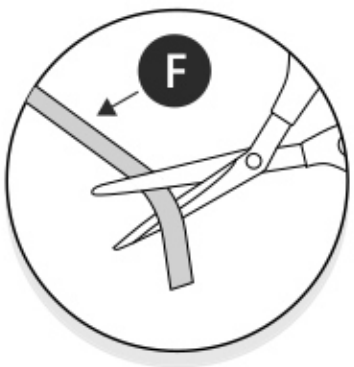
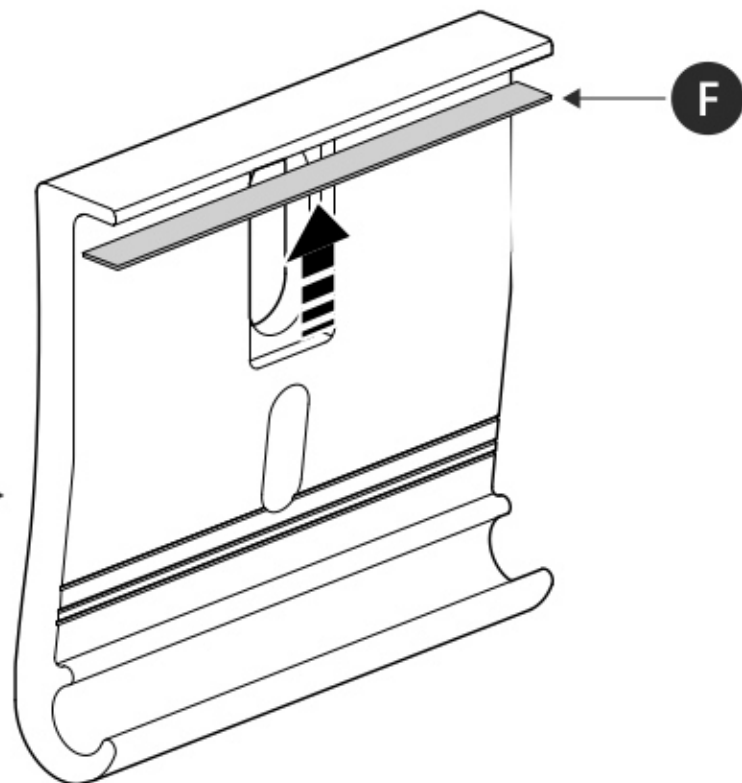






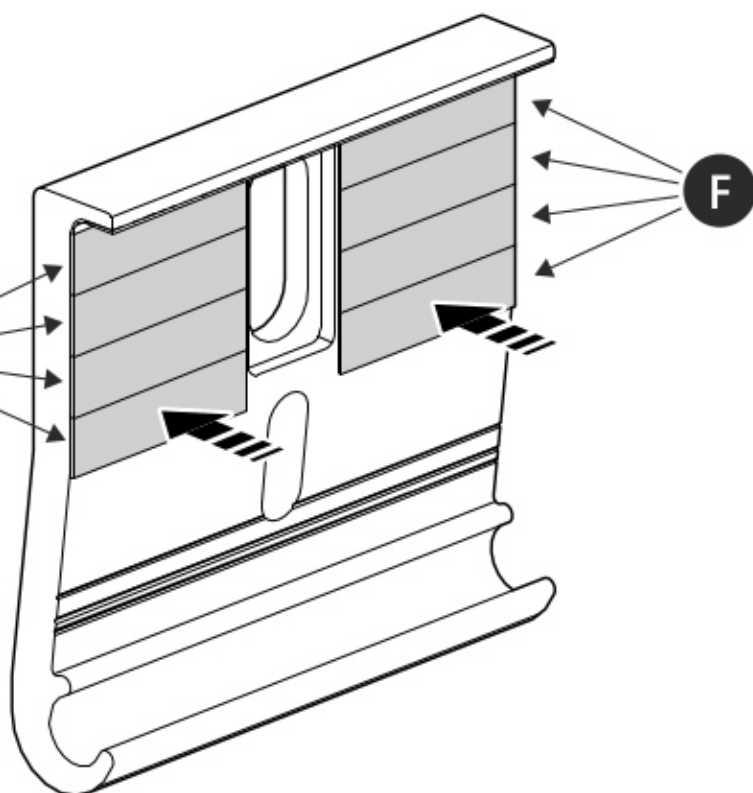


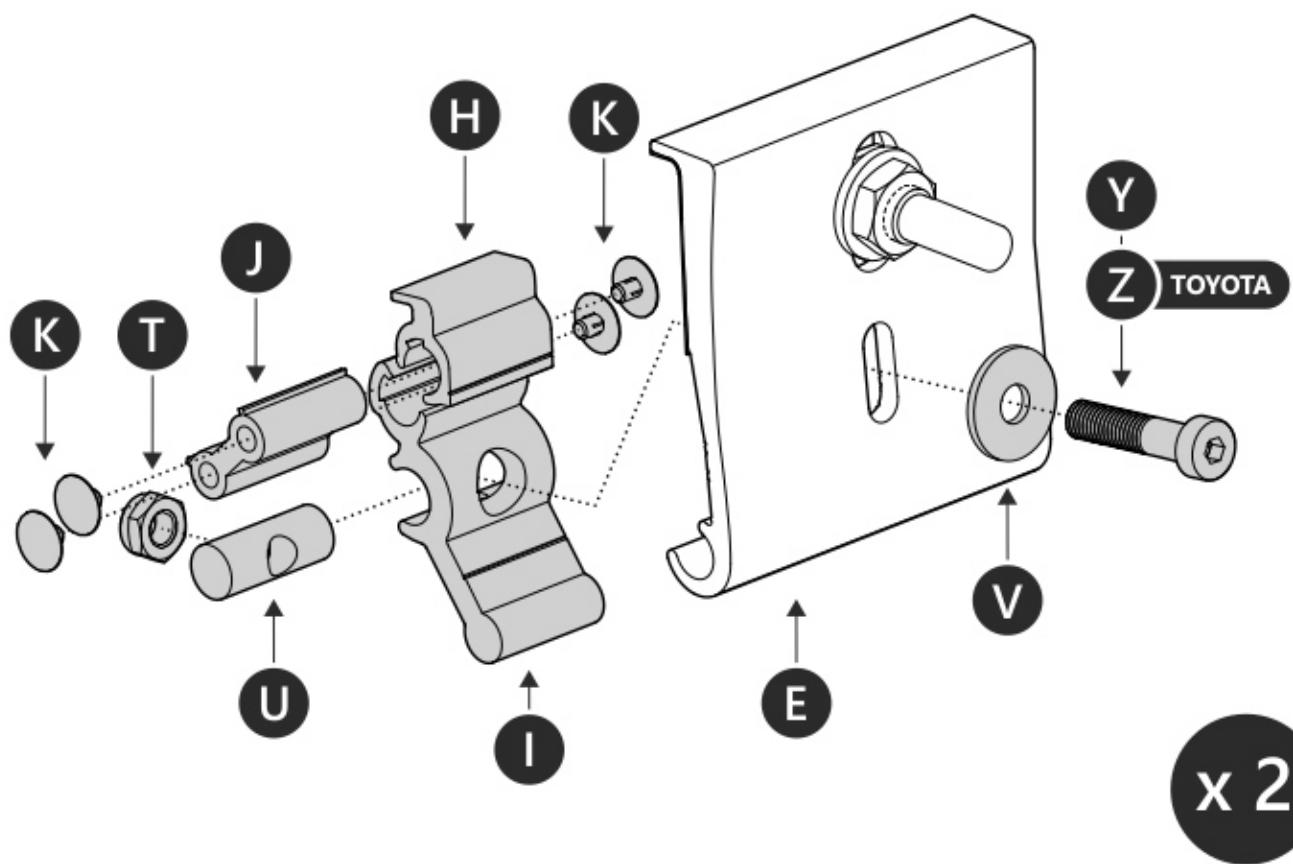
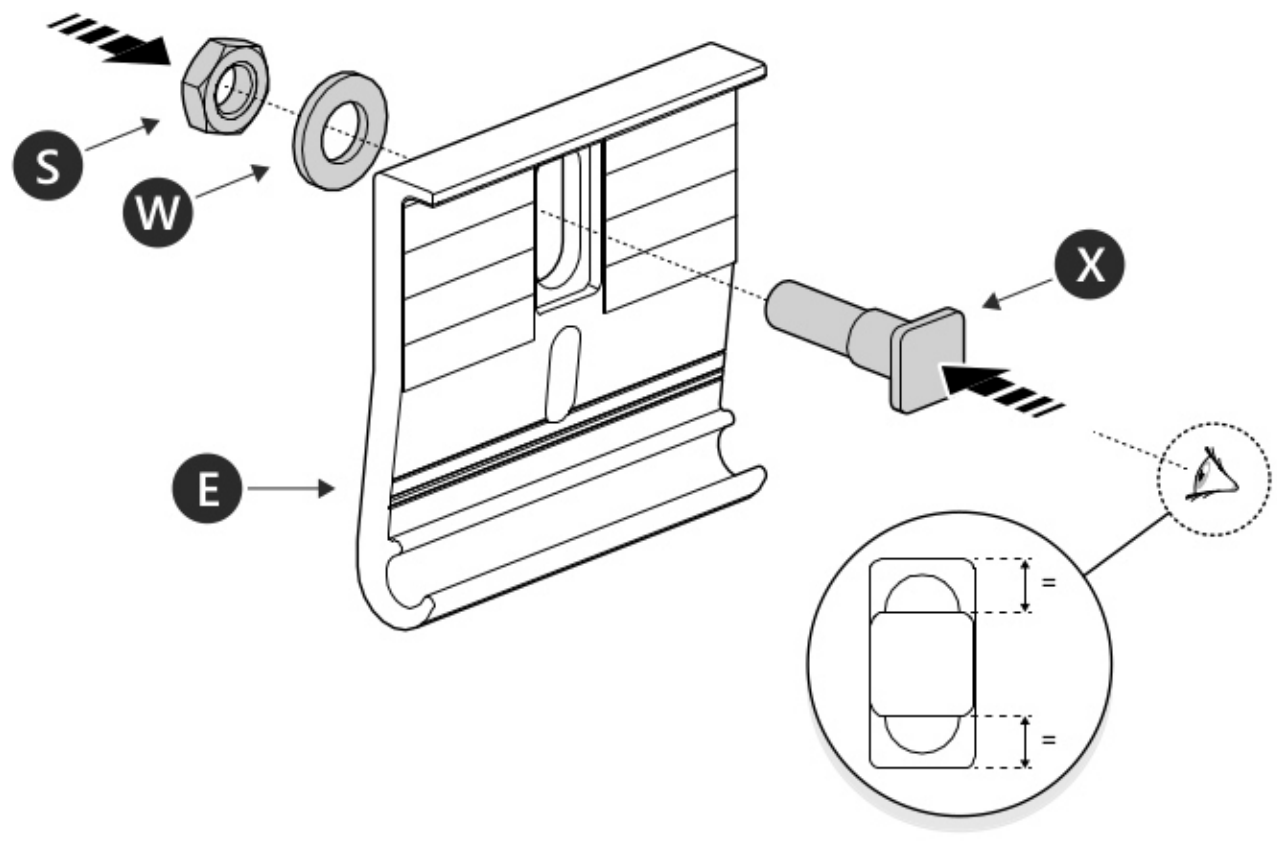
E



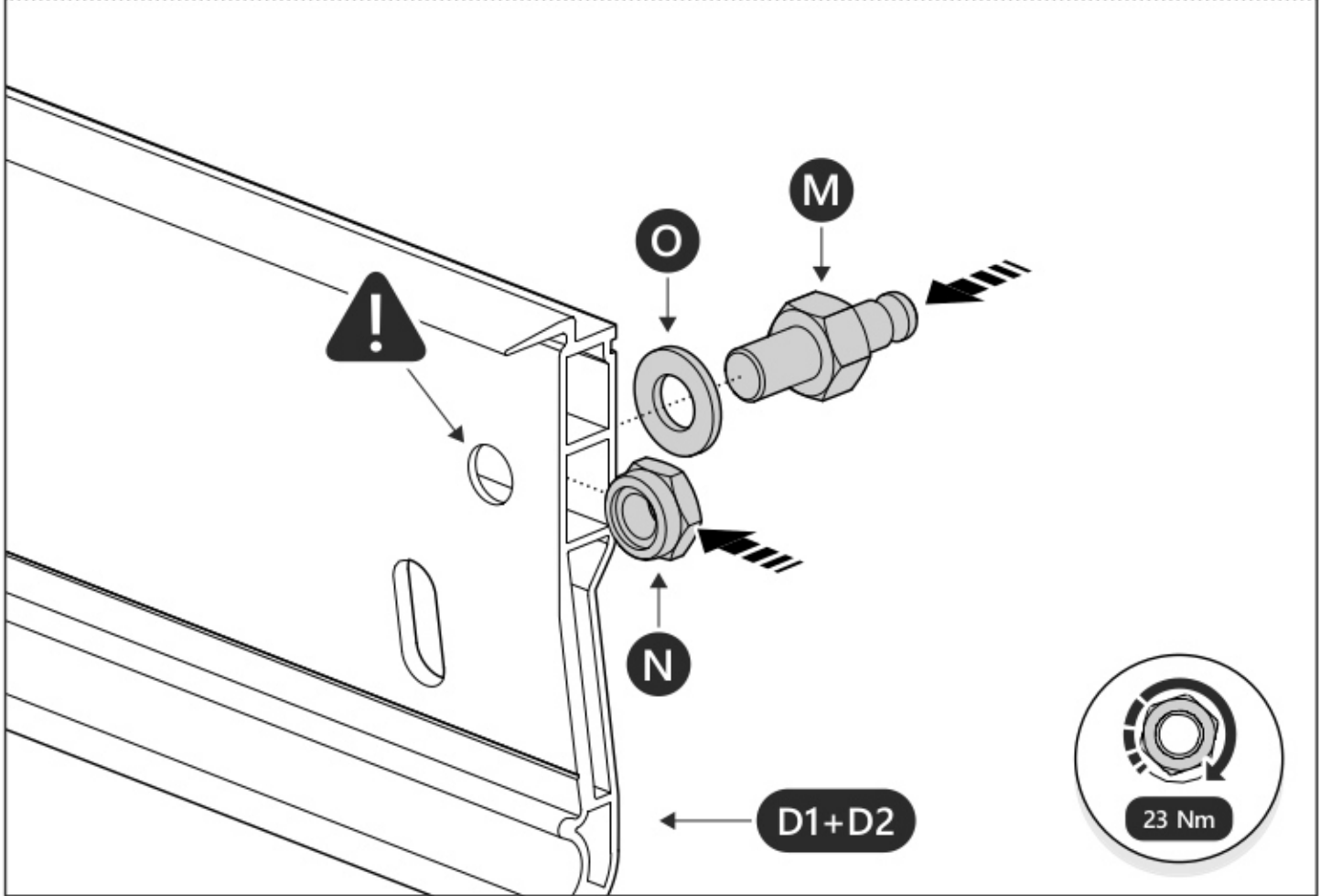
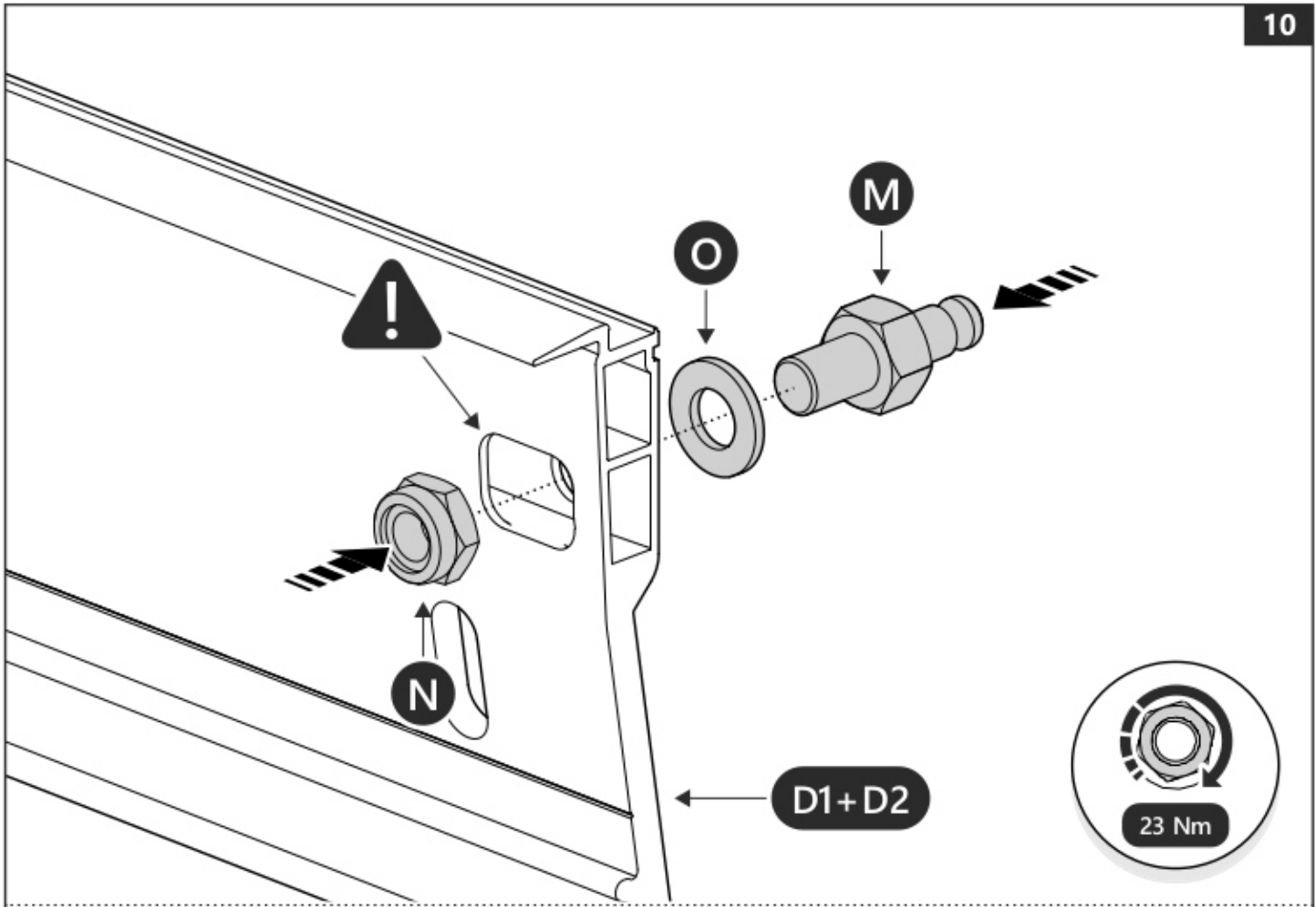
F

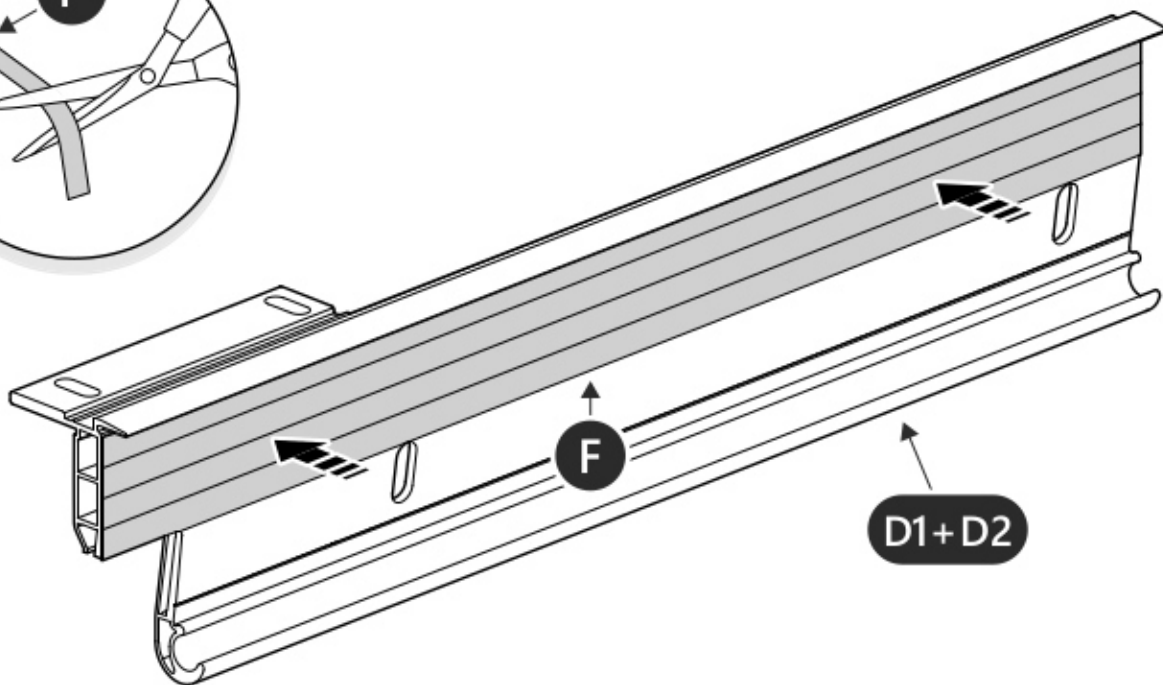
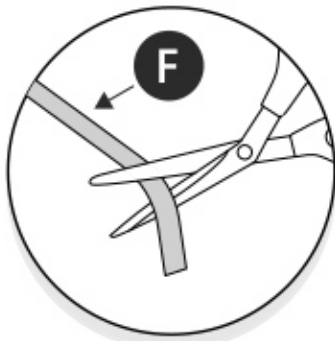
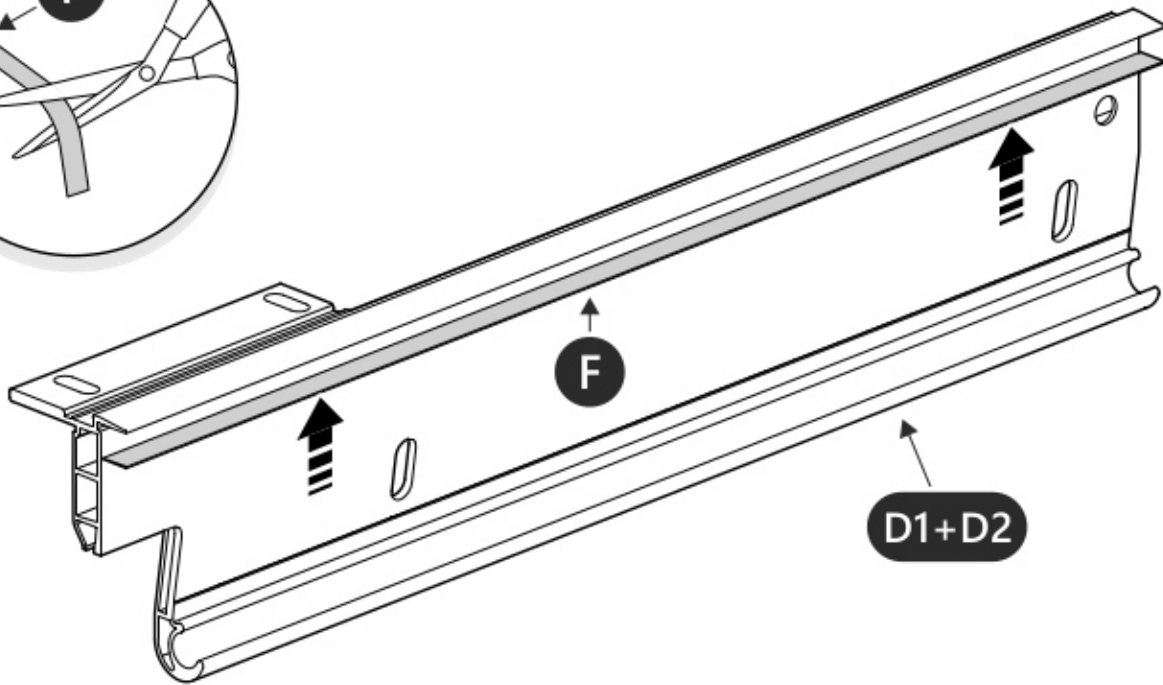
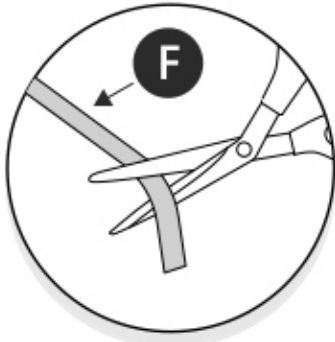
E

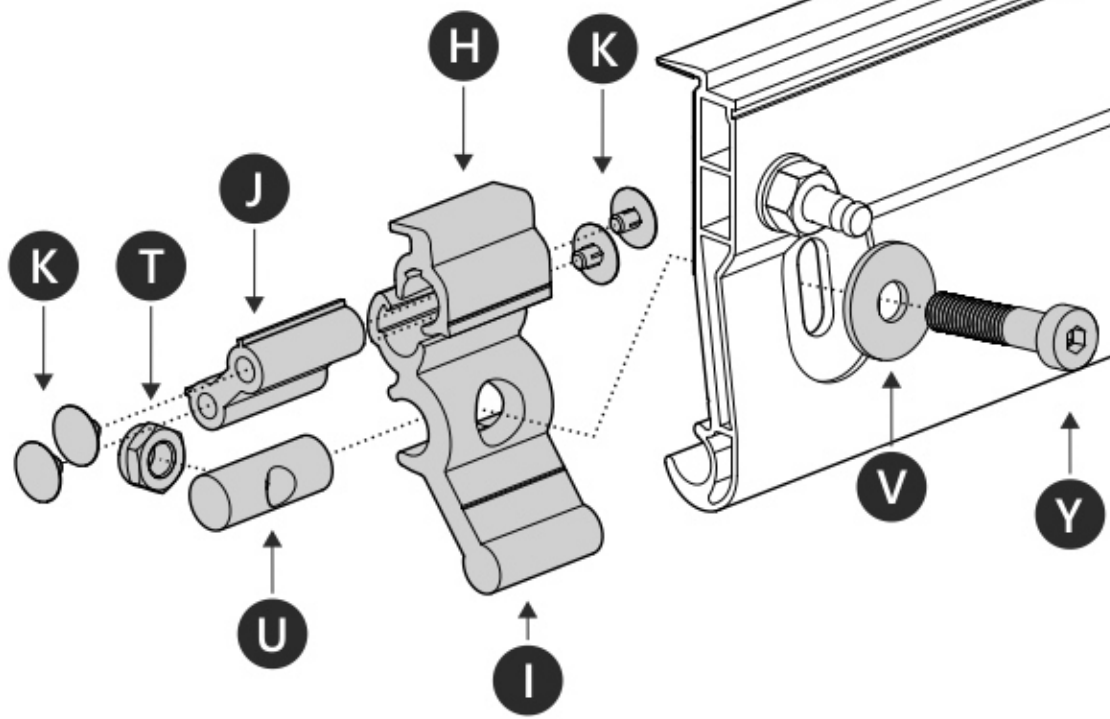




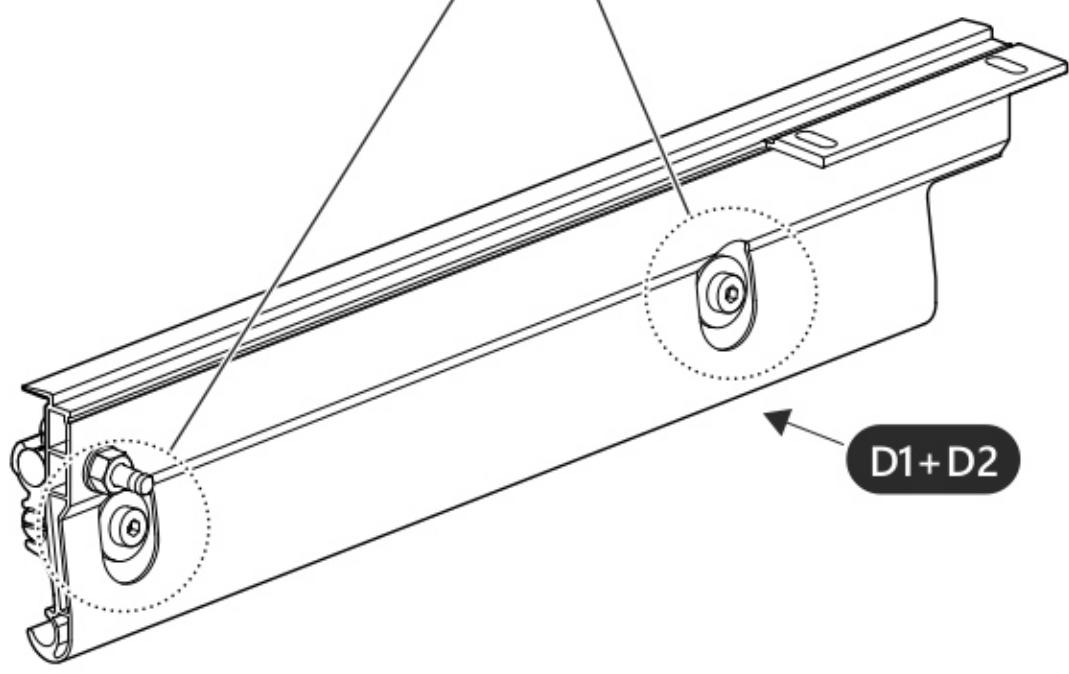
x 2

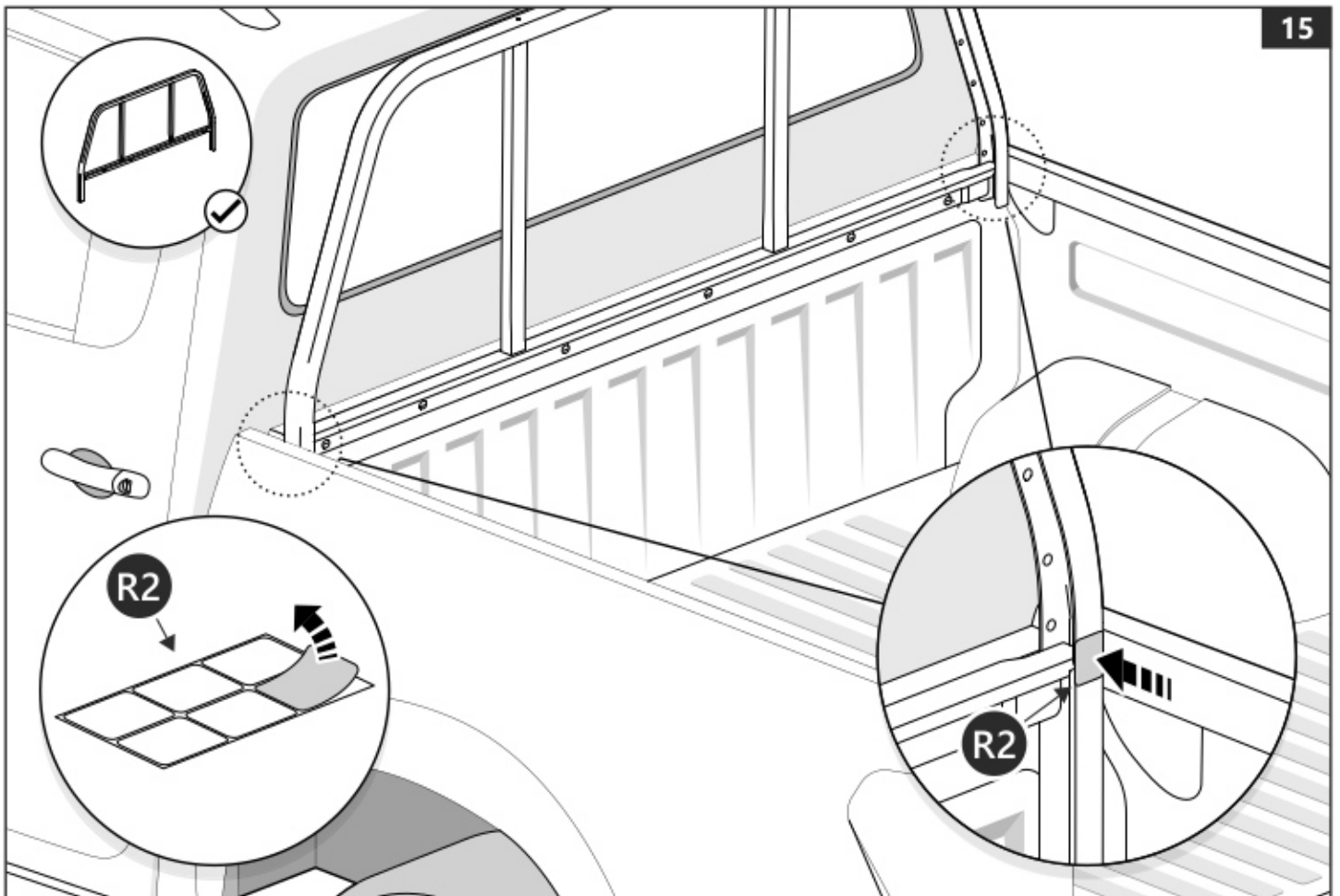
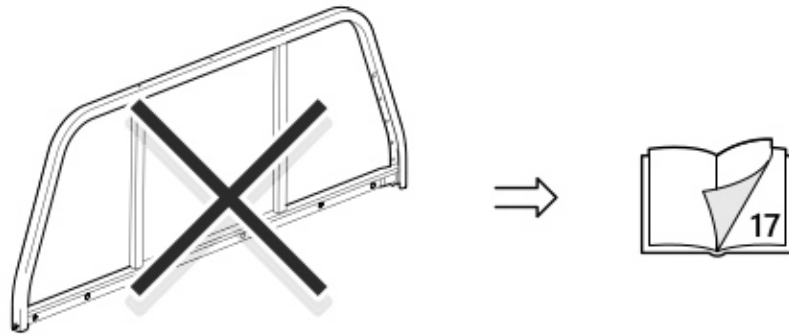


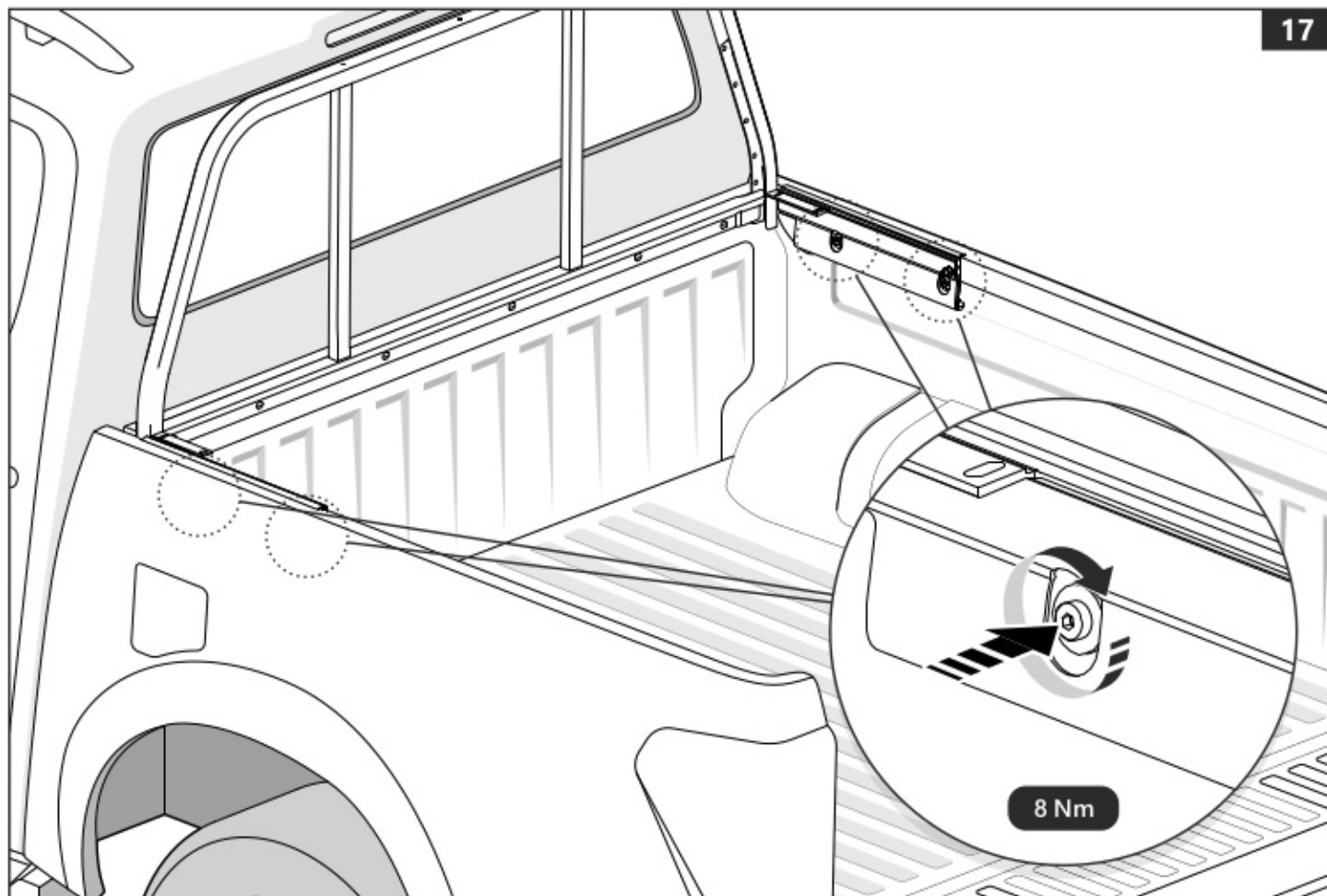
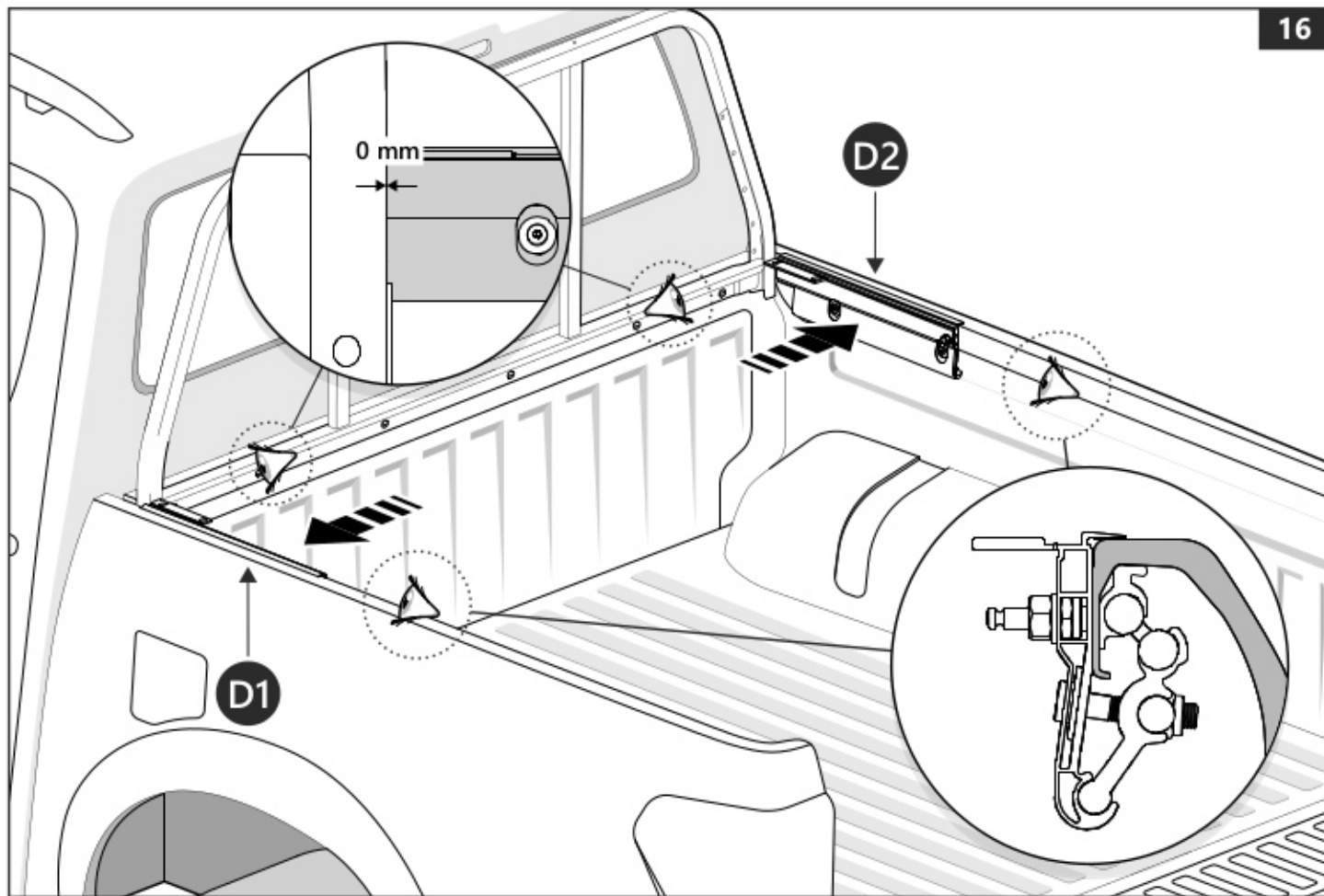


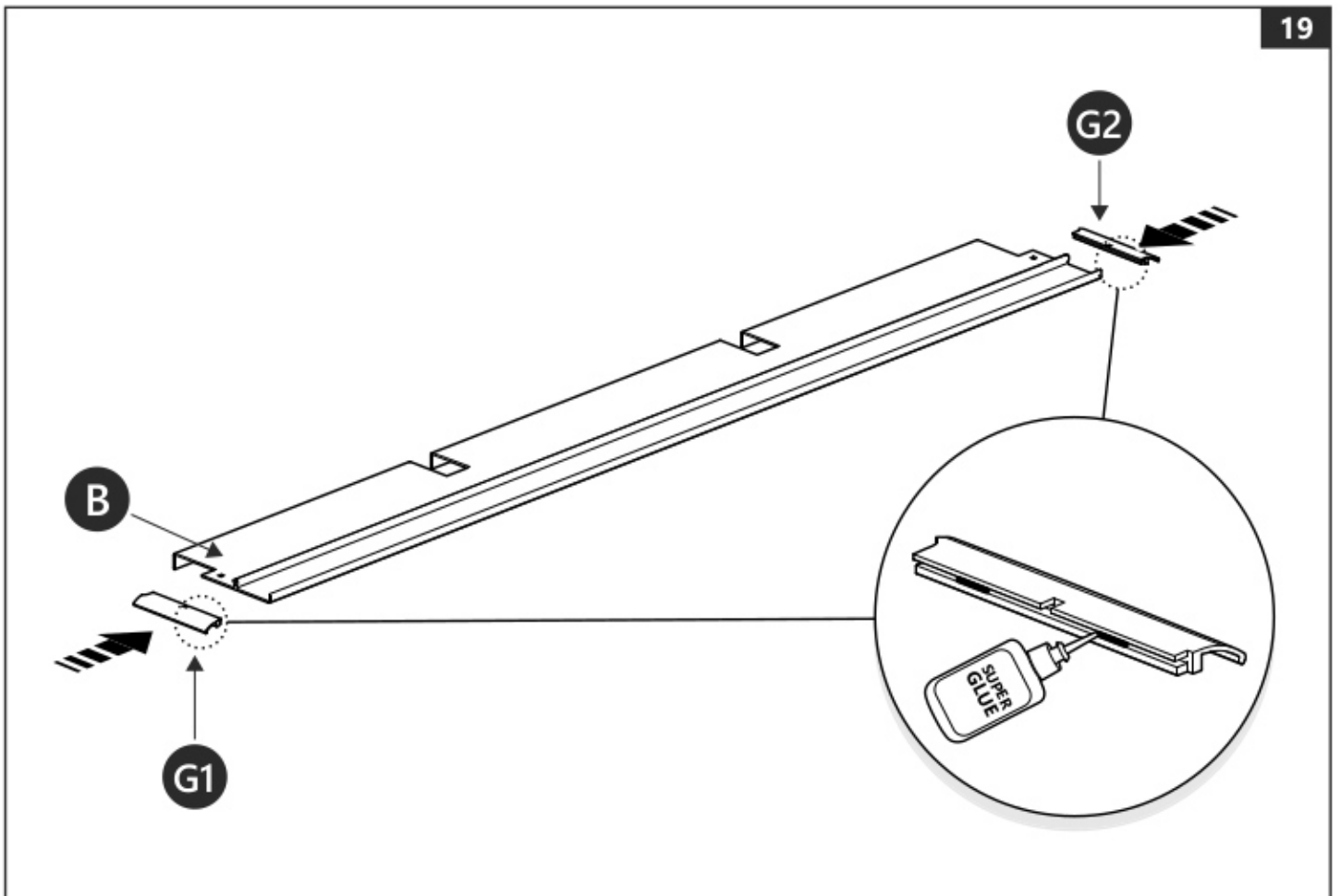
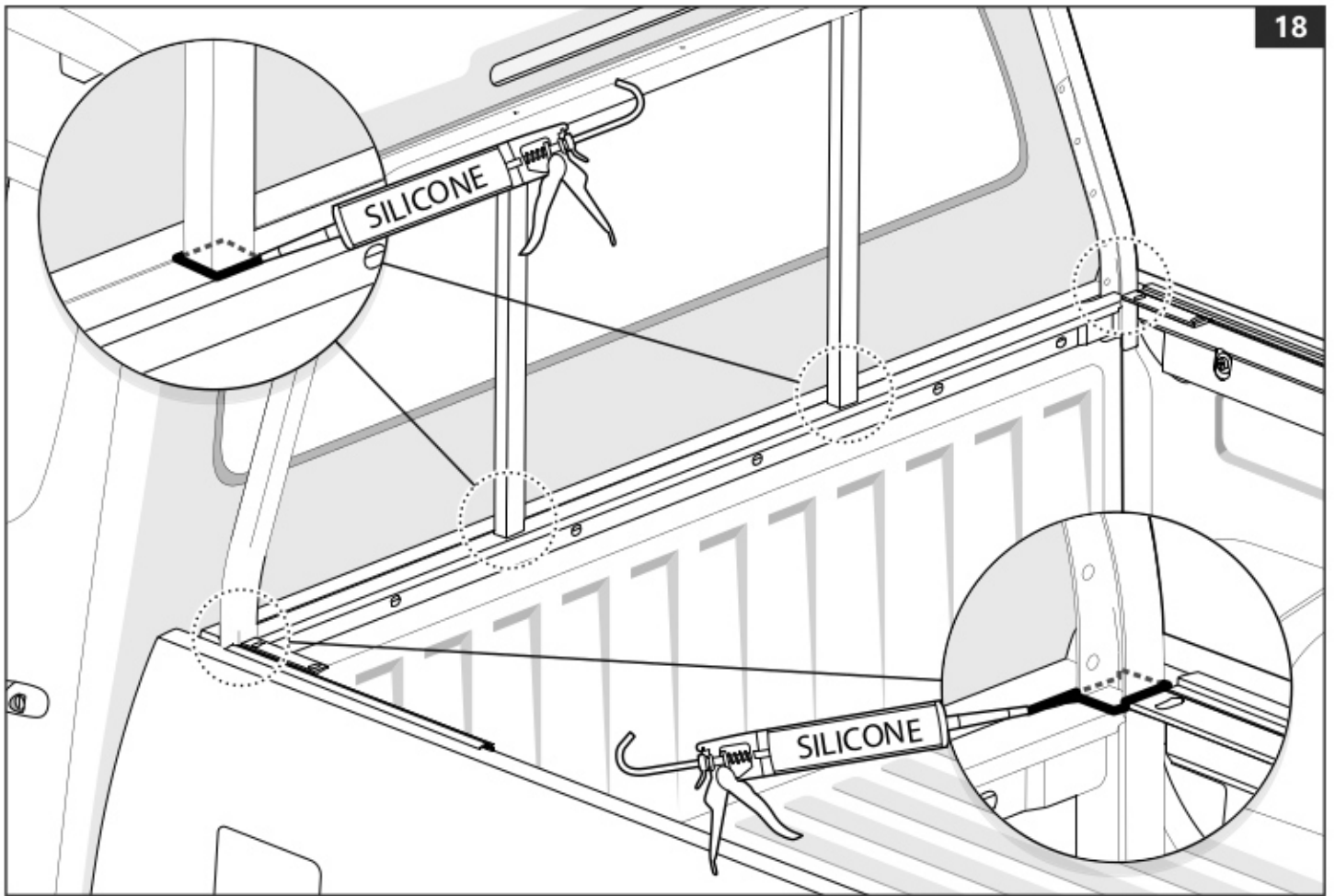


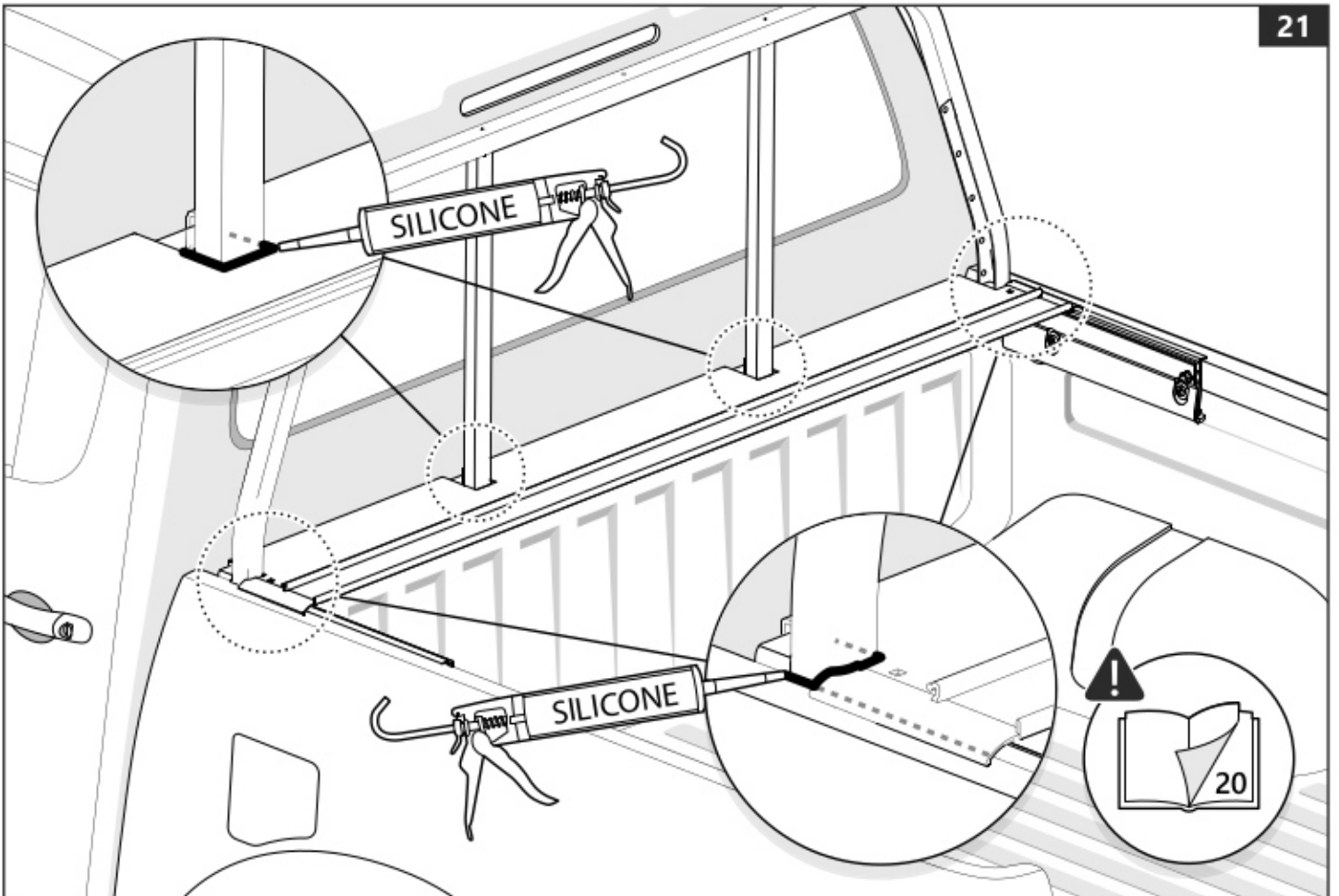
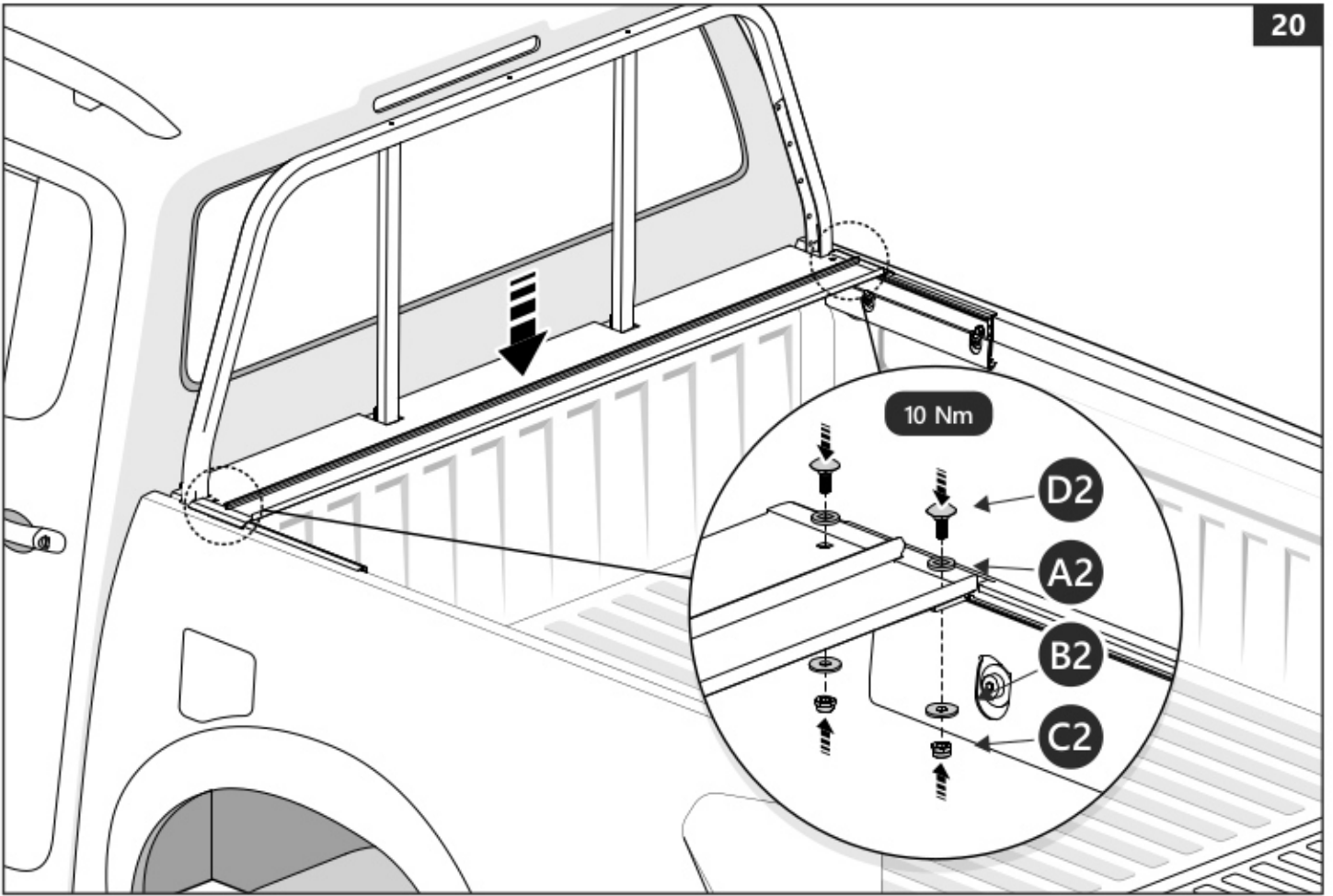
x 2

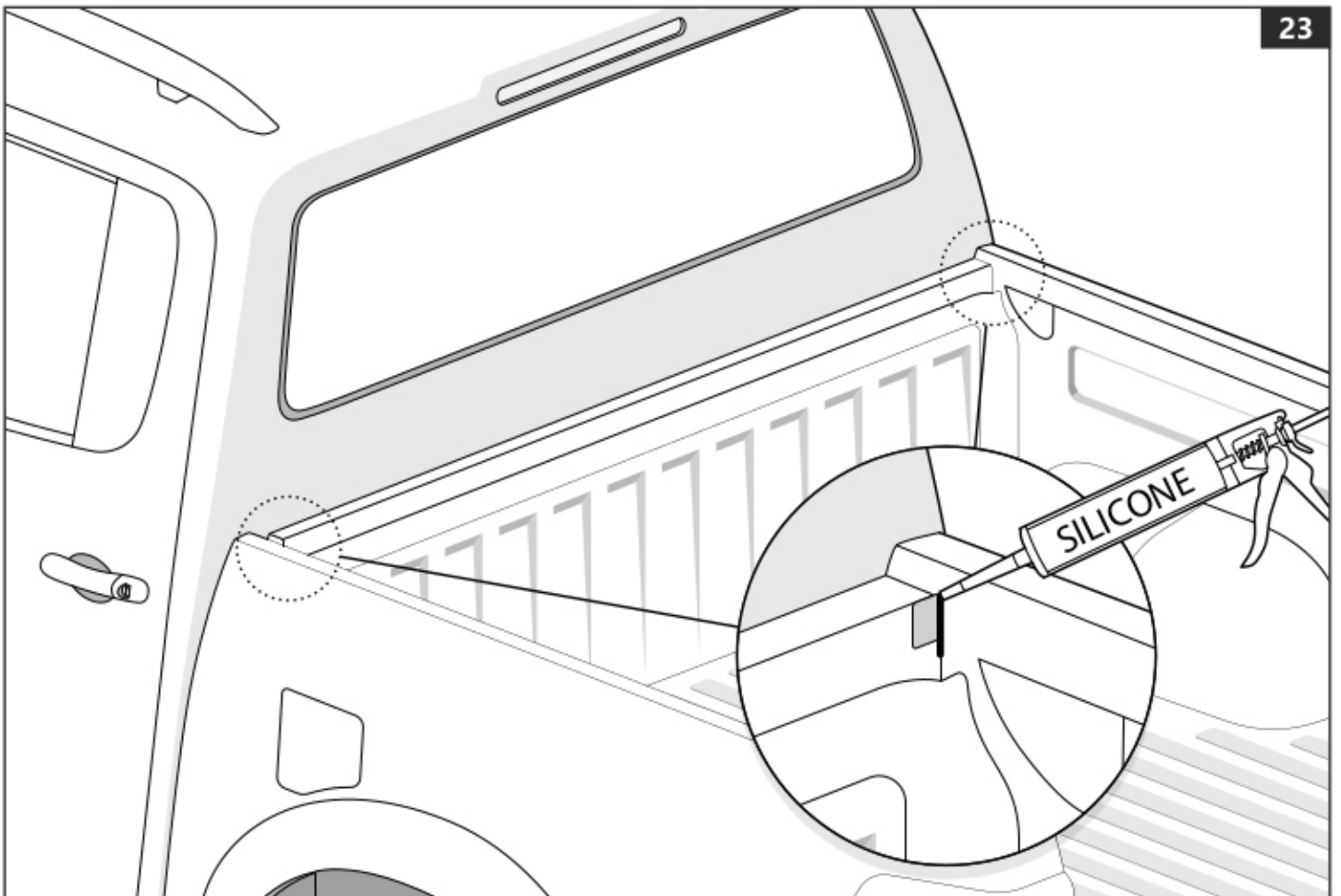
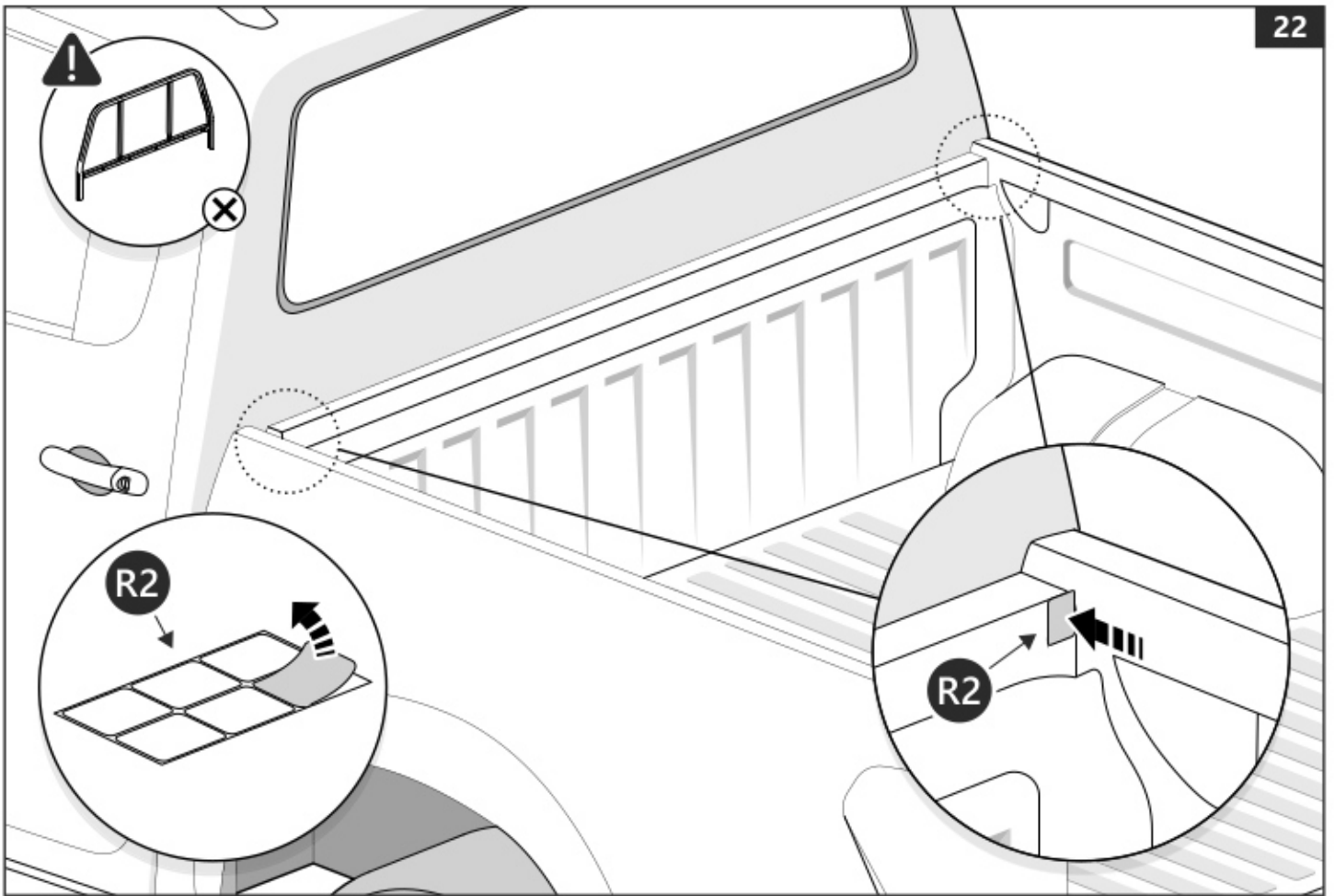


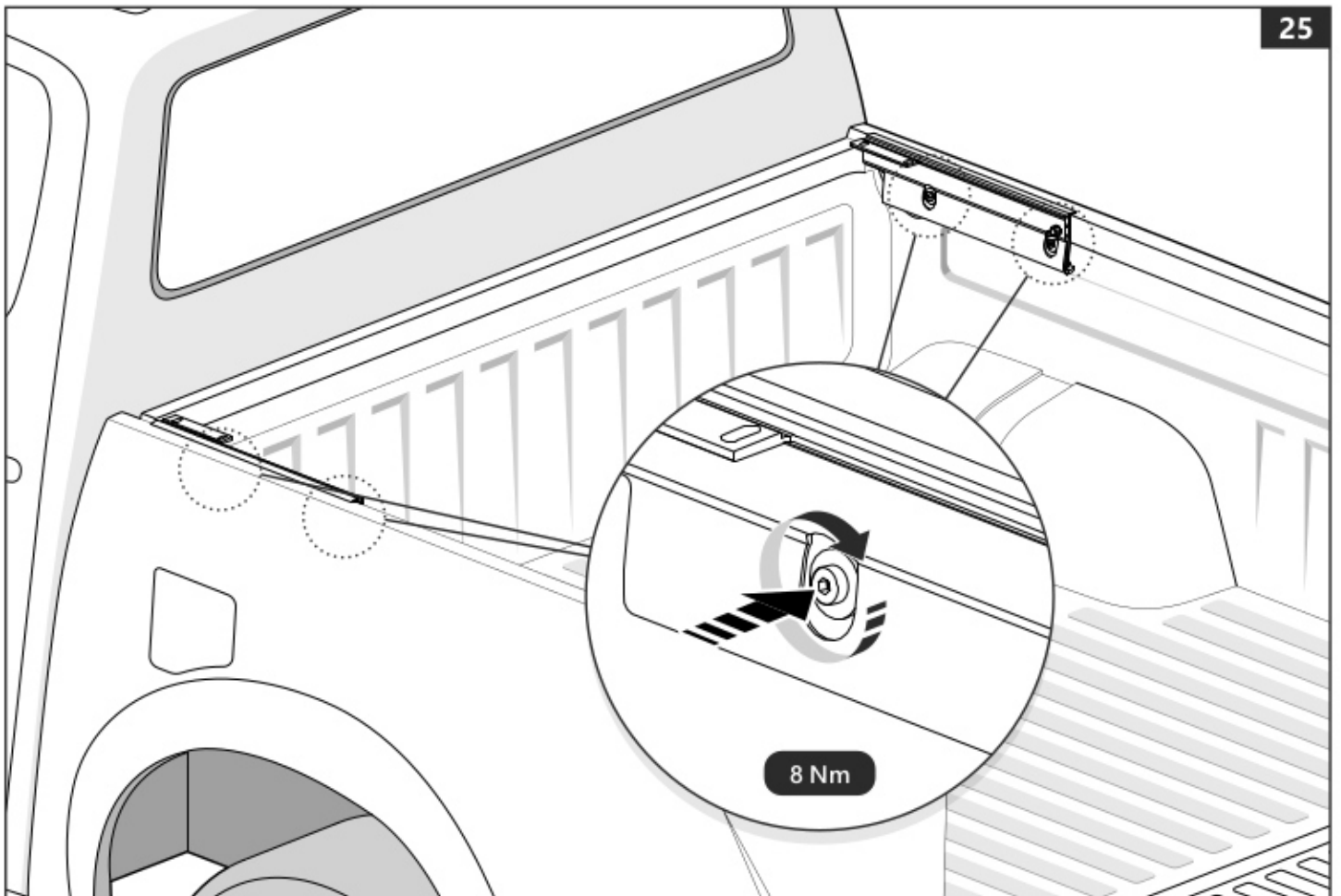
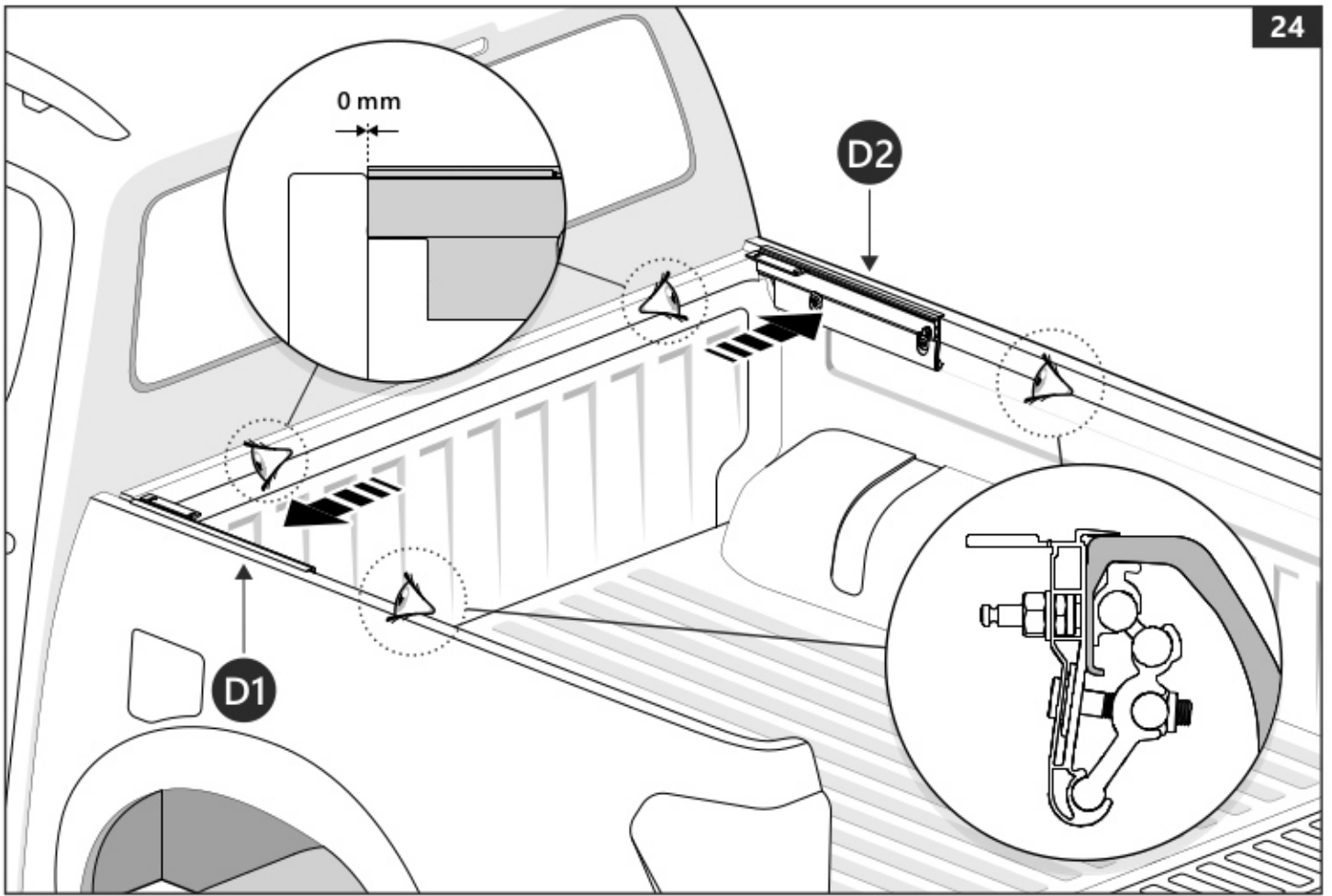


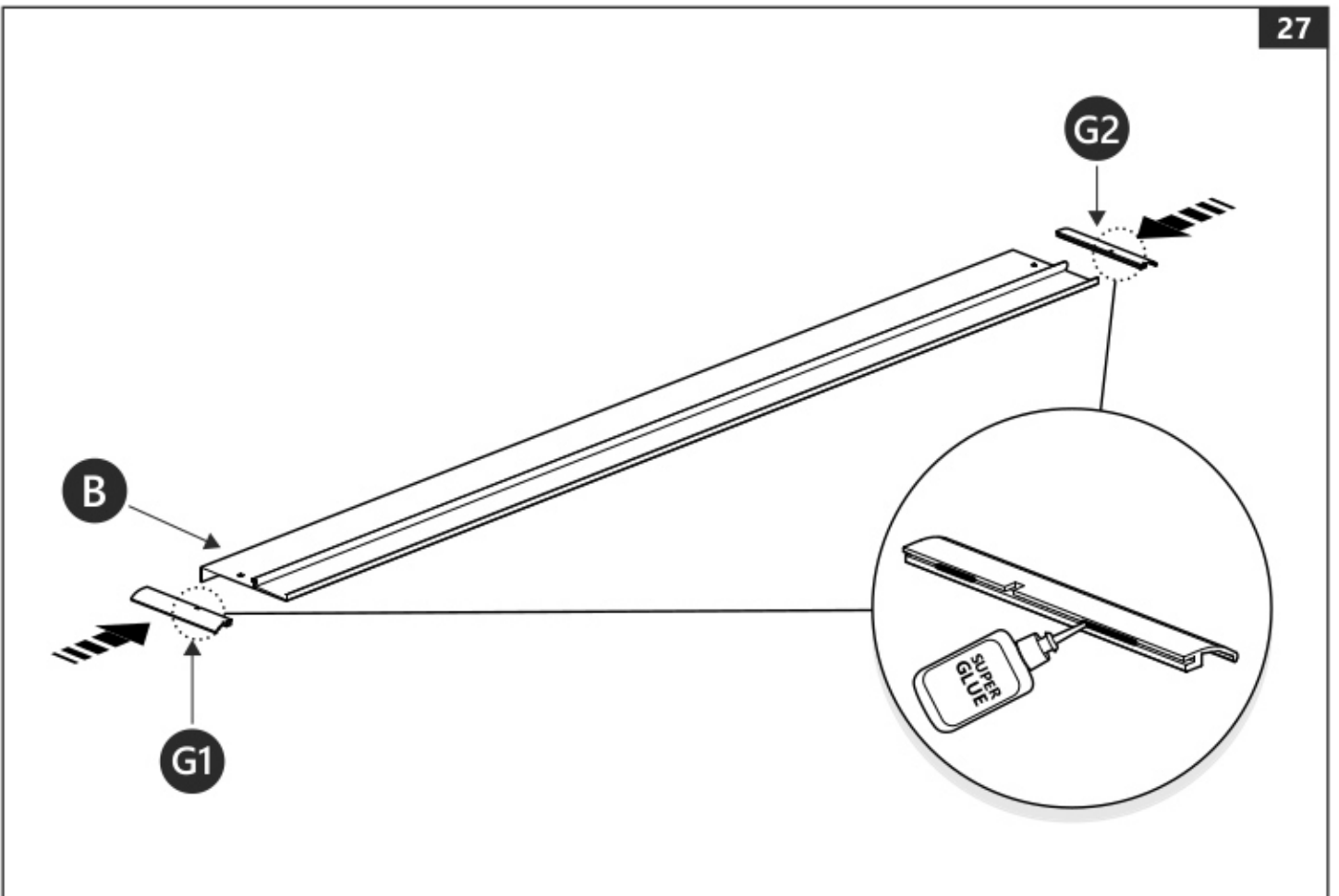
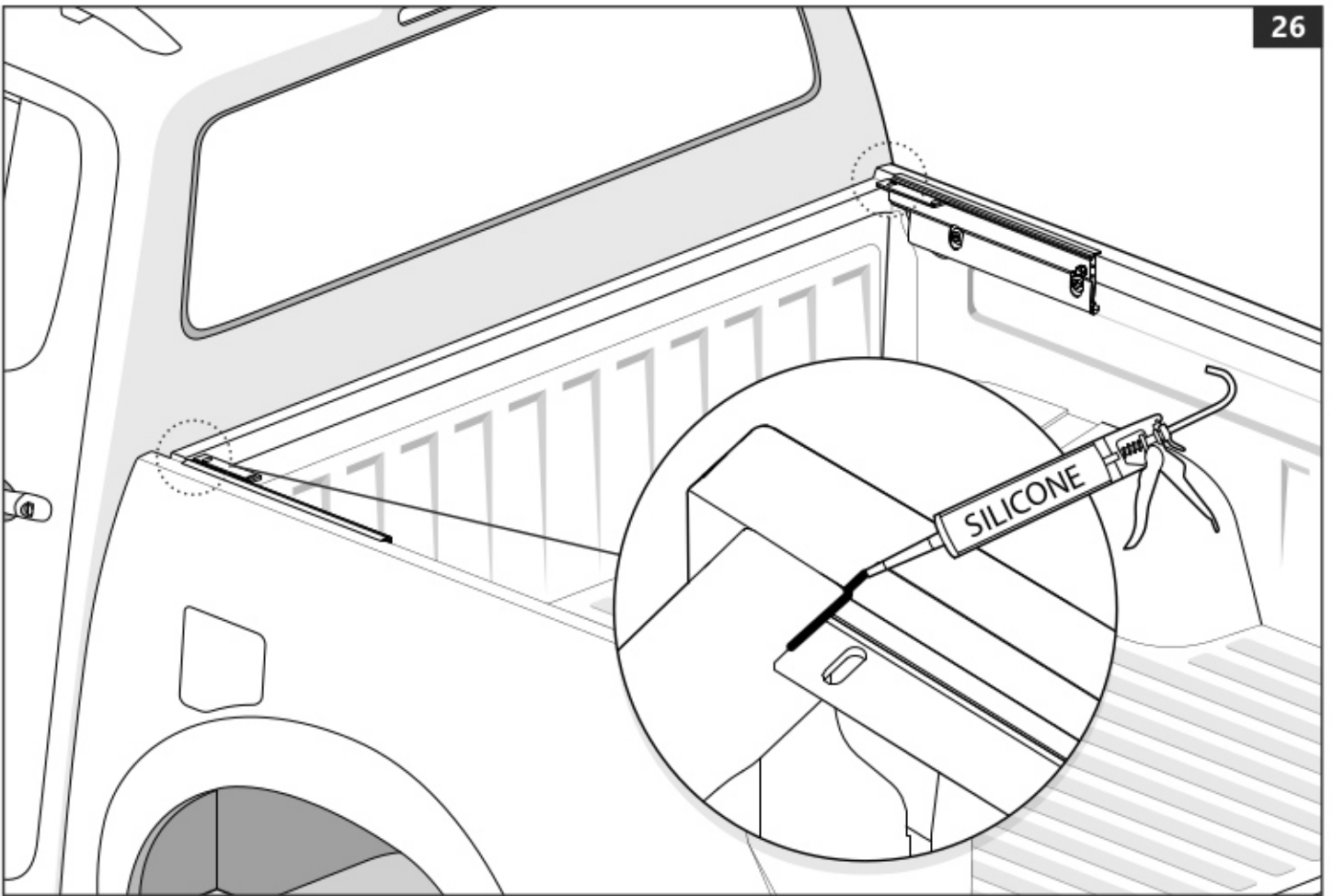


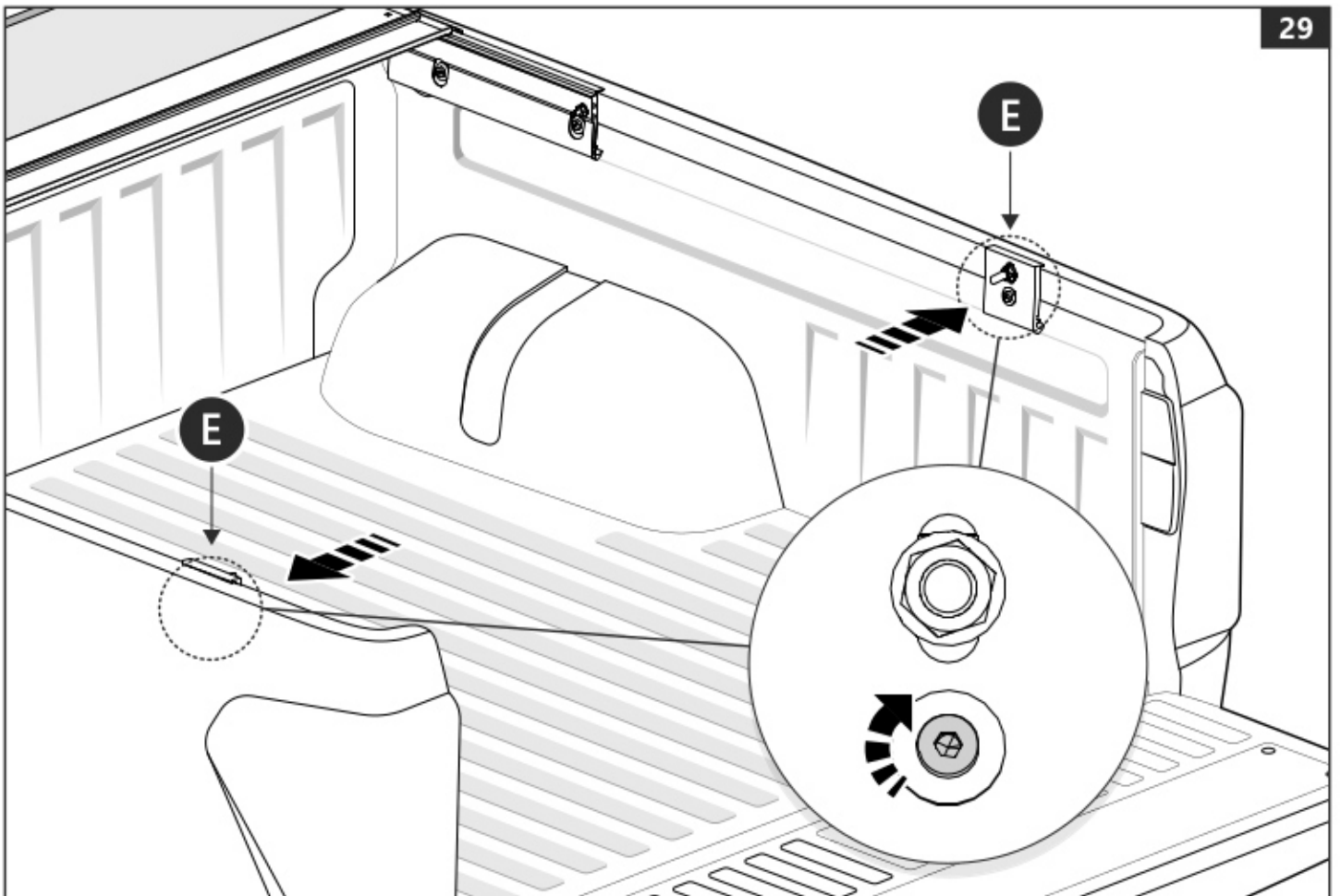
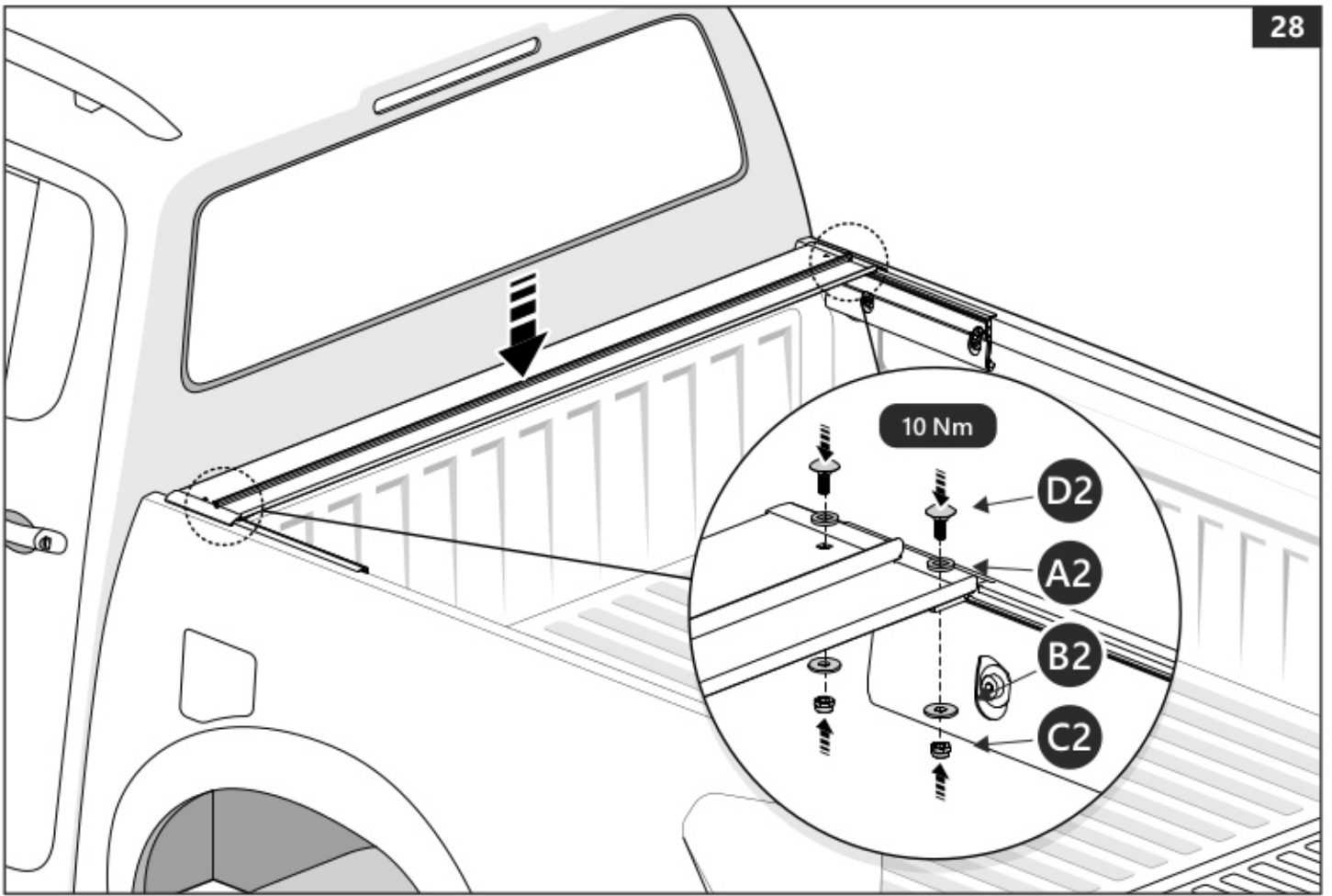


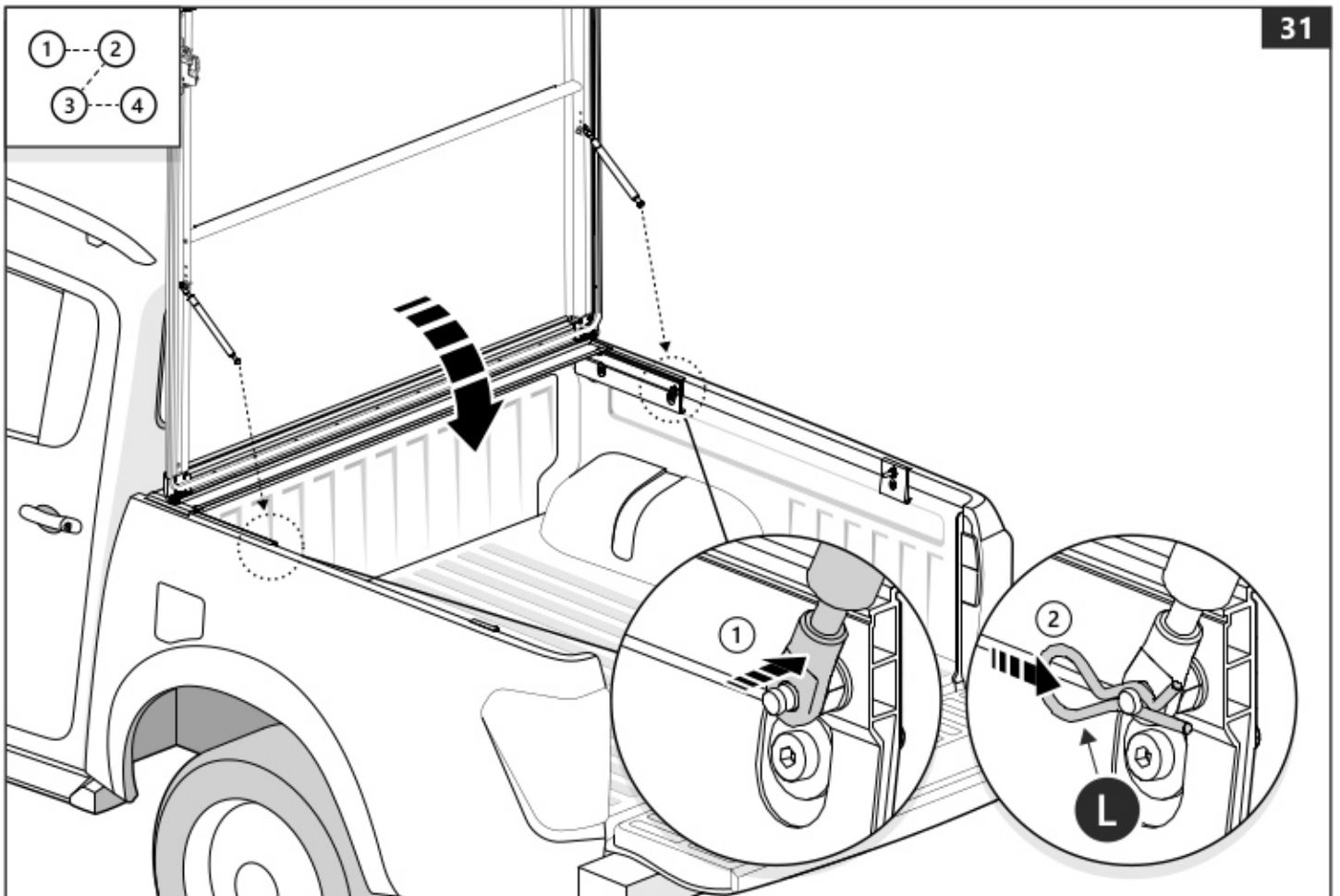
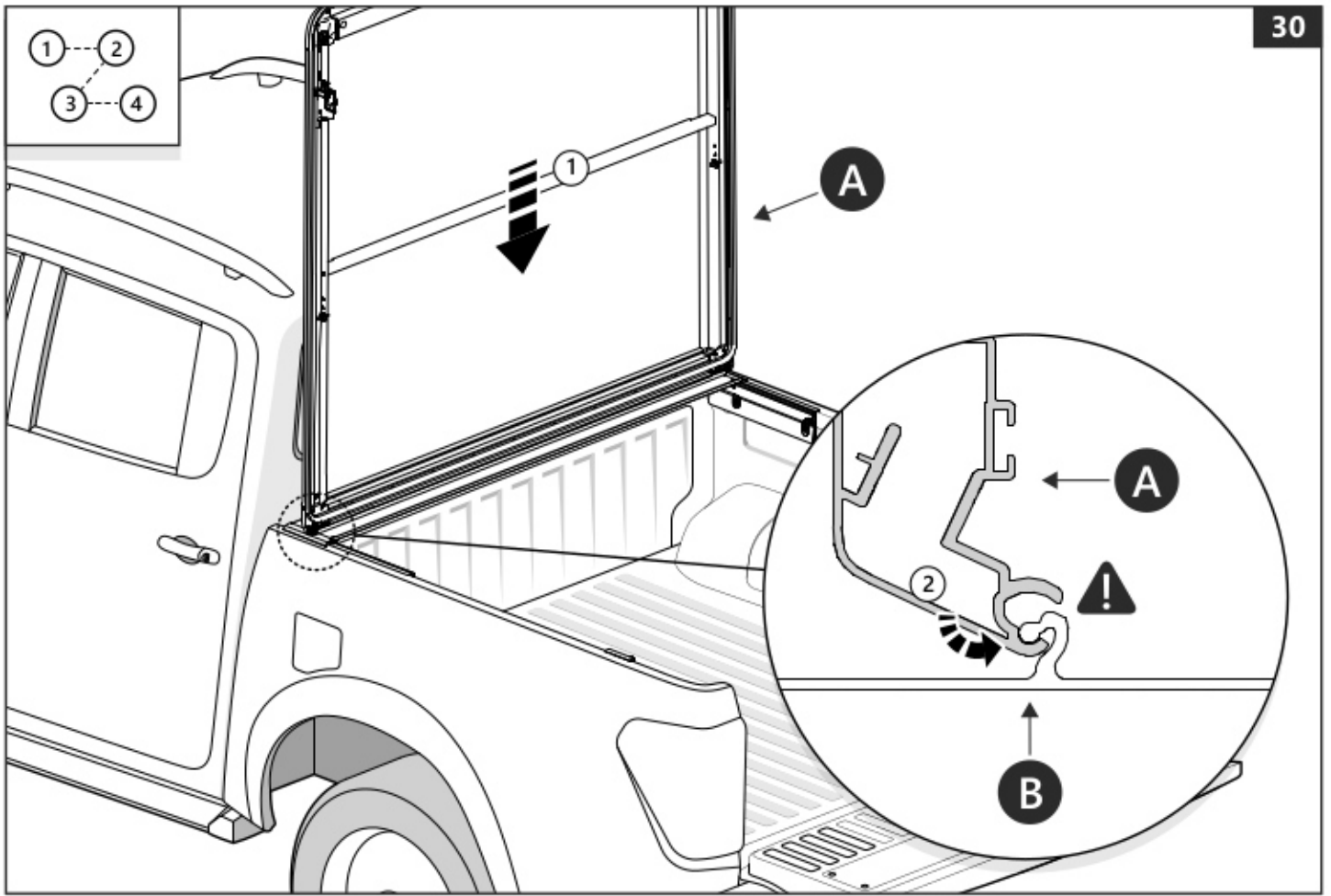


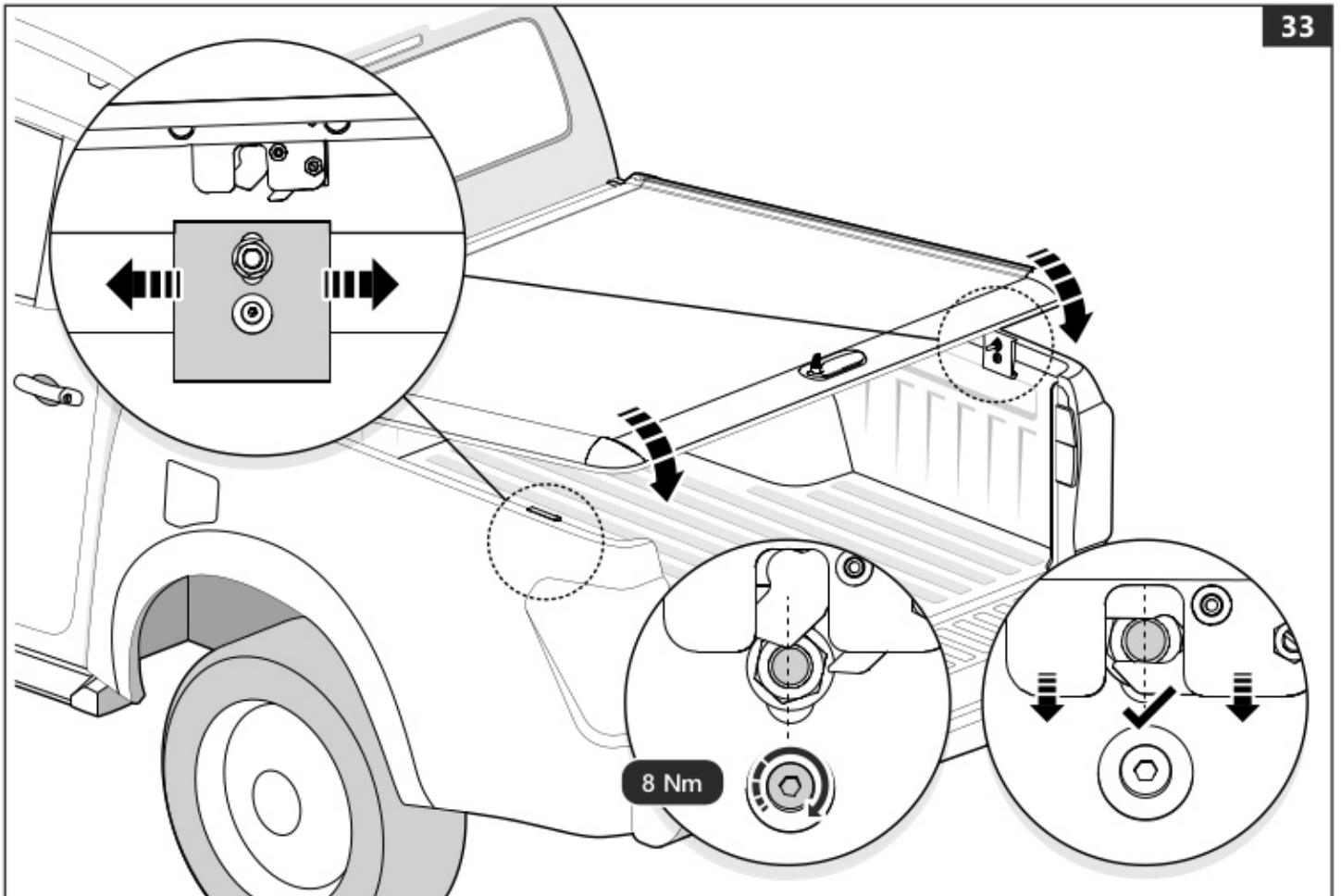
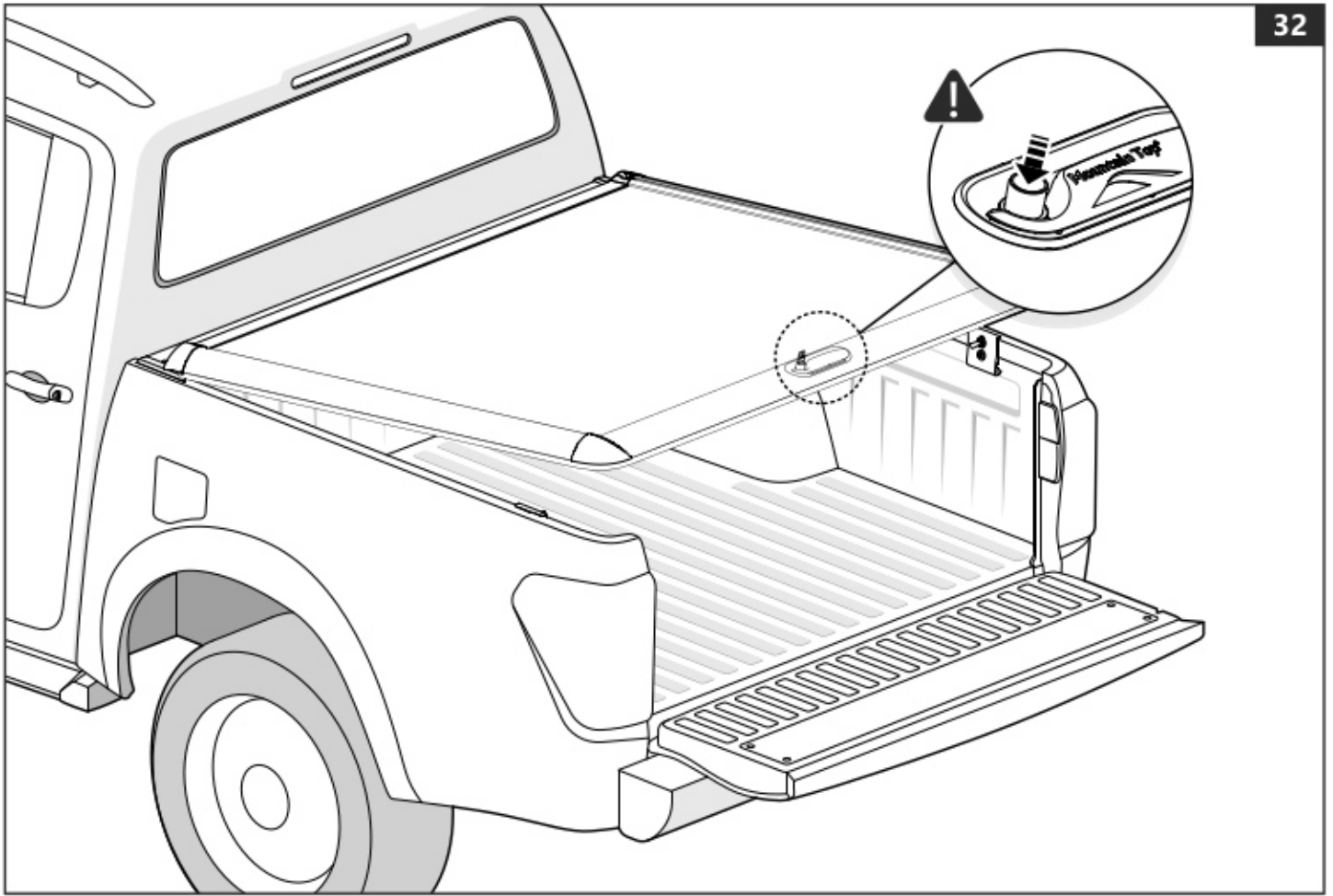


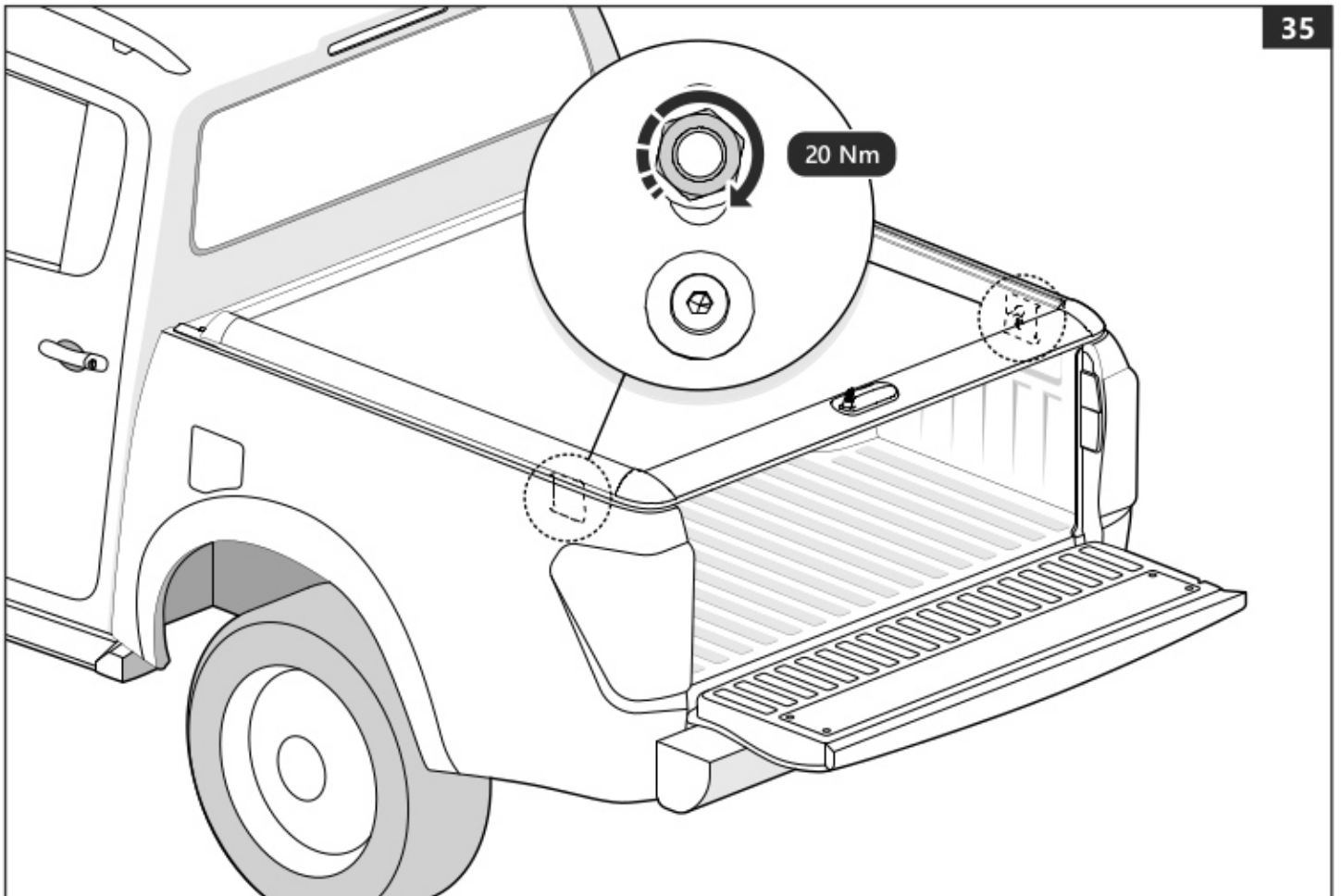
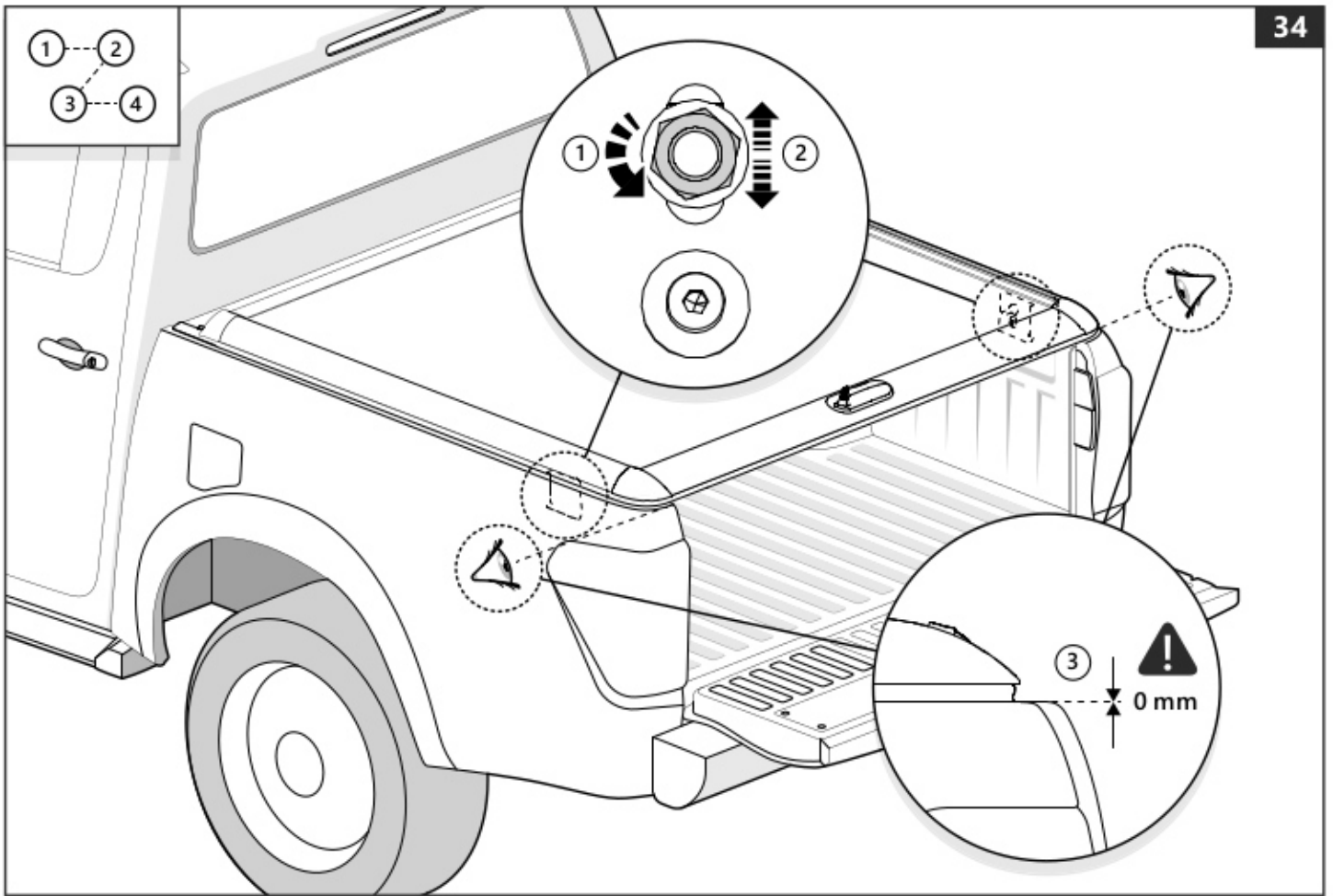


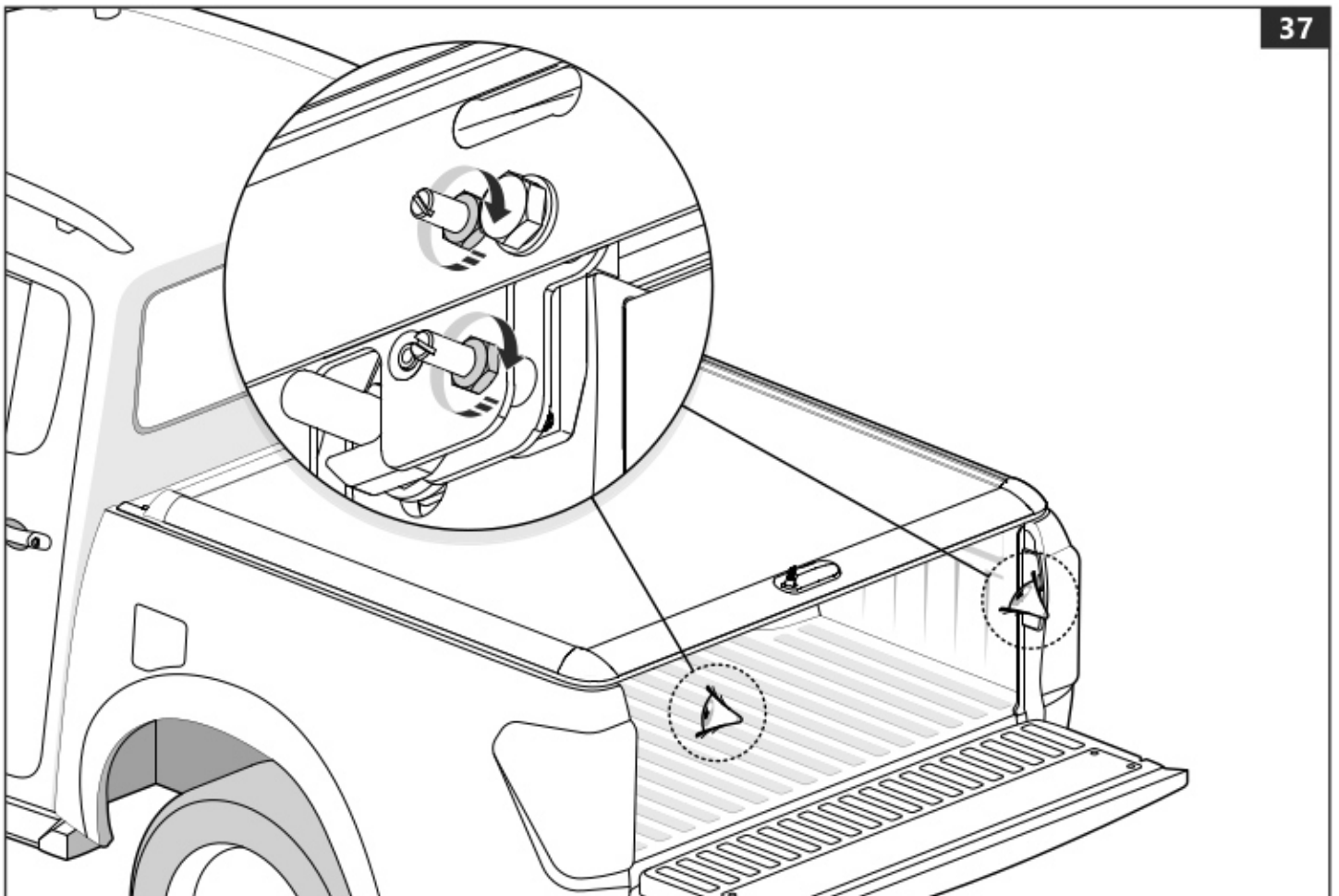
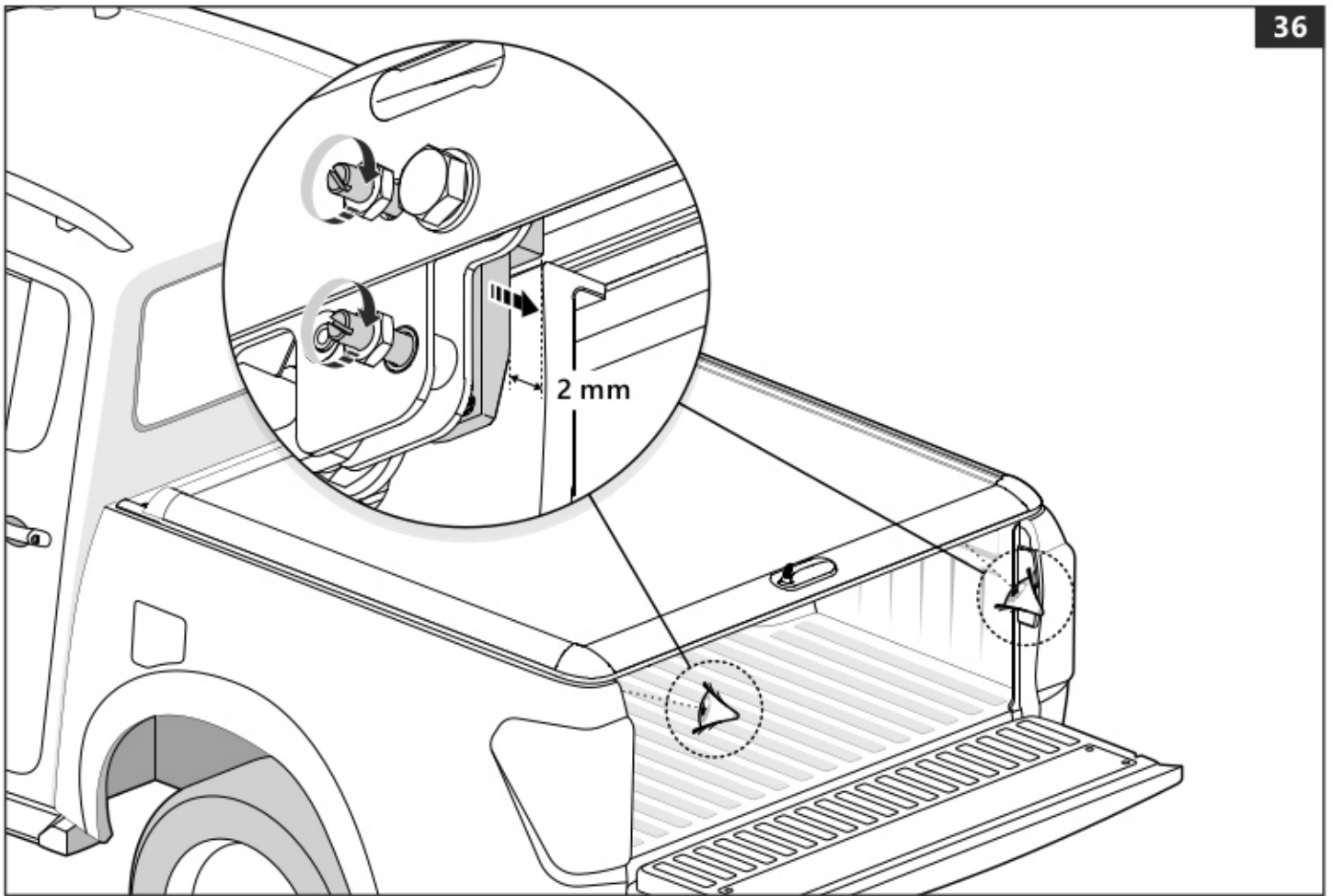














ULLSTEIN
CONCEPTS
GMBH

www.ullsteinconcepts.com



ULLSTEIN
CONCEPTS
GMBH

www.ullsteinconcepts.com



ULLSTEIN
CONCEPTS
GMBH

www.ullsteinconcepts.com



ULLSTEIN
CONCEPTS
GMBH

Ullstein Concepts GmbH

Bahnhofstraße 20
85416 Langenbach
Germany

0049 (0) 89 8099 02 880

0049 (0) 89 8099 02 881

e-mail: service@ullsteinconcepts.com



PART NUMBER(S)	MODEL / YEAR	CAB TYPE(S)	INSTALLATION TIME	WEIGHT
MT2 TO80/81/82	Toyota / 2006 - 2016	Double / Extra / Single	1 hour(s)	29 - 40 Kg
MT2 TO90/91/92	Toyota / 2015 →	Double / Extra / Single	1 hour(s)	29 - 40 Kg
MT2 IS90/91/92	Isuzu / 2006 - 2011	Double / Space / Single	1 hour(s)	29 - 40 Kg
MT2 FO90/91/92	Ford / 2011 →	Double / Super / Single	1 hour(s)	29 - 40 Kg
MT2 MI90/91/92	Mitsubishi / 2015 →	Double / Club / Single	1 hour(s)	29 - 40 Kg
MT2 MA90/91/92	Mazda / 2011 →	Double / Super / Single	1 hour(s)	29 - 40 Kg
MT2 NI90/91/92	Nissan / 2015 →	Double / King / Single	1 hour(s)	29 - 40 Kg
MT2 VW80/82	Volkswagen / 2010 →	Double / Single	1 hour(s)	29 - 40 Kg
MT2 FI90	Fiat / 2016 →	Double	1 hour(s)	29 - 40 Kg

GB Installation manual	S Monteringsanvisning	D Einbauanleitung
SF Asennusohje	E Instrucciones de montaje	CZ Návod k instalaci
F Notice de montage	H Szerelési utasítás	I Istruzioni de montaggio
PL Instrukcja montażu	P Instruções de instalação	GR Οδηγίες Εγκατάστασης
NL Installatie-instructies	RUS Инструкция по установке	DK Monteringsvejledning
TR Montaj Talimatı	N Monteringsveiledning	RO Instructiuni de instalare