

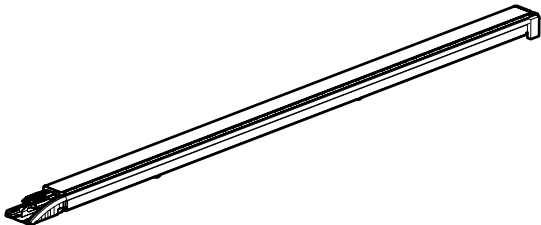
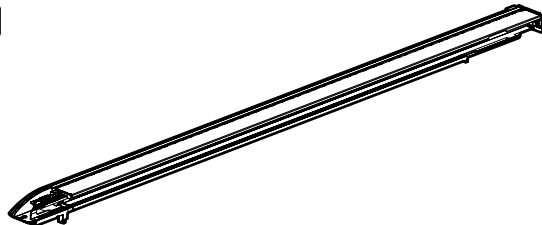
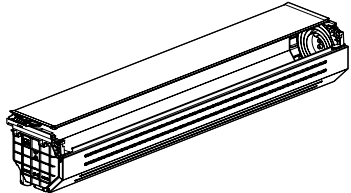
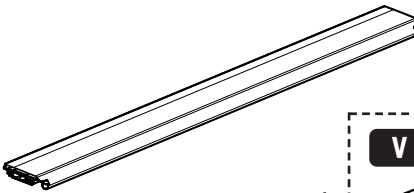

MOUNTAIN TOP® EV0m ROLL COVER

Installation manual

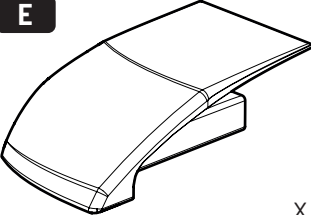
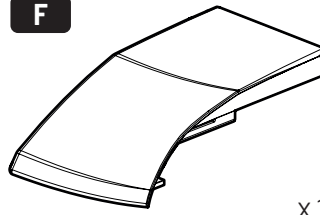
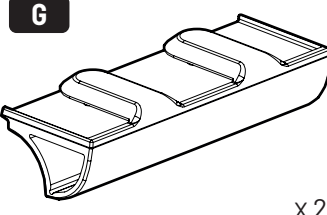
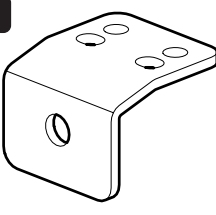
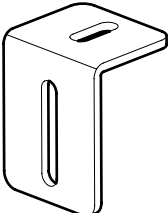
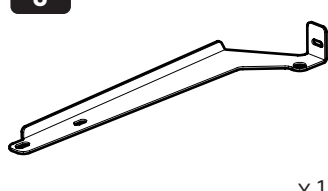
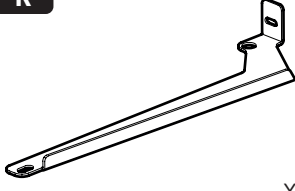
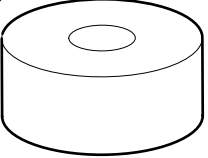
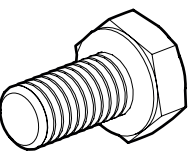
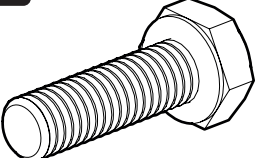
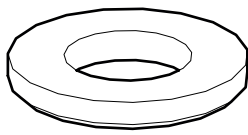
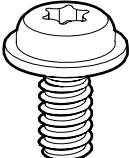
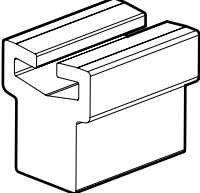
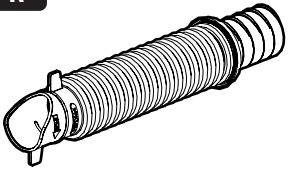
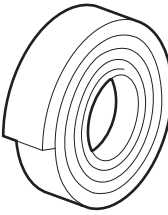
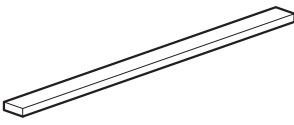
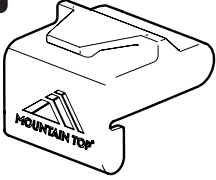


DOWNLOAD PDF

Parts

| | |
|---|--|
| <p>A</p>  <p>x1</p> | <p>B</p>  <p>x1</p> |
| <p>C</p>  <p>x2</p> | <p>D</p>  <p>x1</p> <div style="border: 1px dashed black; padding: 2px; display: inline-block;"> <p>V</p>  <p>x1</p> </div> |

Kit

| | | | |
|---|---|---|---|
| <p>E</p>  <p>x1</p> | <p>F</p>  <p>x1</p> | <p>G</p>  <p>x2</p> | <p>H</p>  <p>x4</p> |
| <p>I</p>  <p>x4</p> | <p>J</p>  <p>x1</p> | <p>K</p>  <p>x1</p> | <p>L</p>  <p>x2</p> |
| <p>M</p>  <p>x8</p> | <p>N</p>  <p>x2</p> | <p>O</p>  <p>x10</p> | <p>P</p>  <p>x4</p> |
| <p>Q</p>  <p>x4</p> | <p>R</p>  <p>x2</p> | <p>S</p>  <p>x1</p> | <p>T</p>  <p>x4</p> |
| <p>U</p>  <p>x2</p> | | | |

Kit



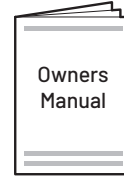
Manual

x1



TÜV

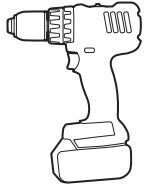
x1



Owners
Manual

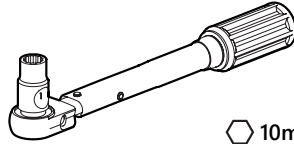
x1

Tools needed



Ø3.5MM
Ø40MM

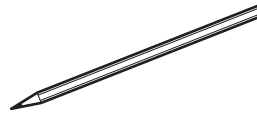
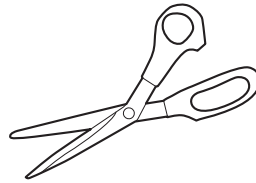
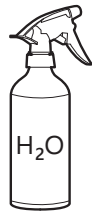
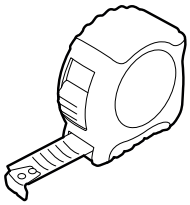
1 - 25 Nm



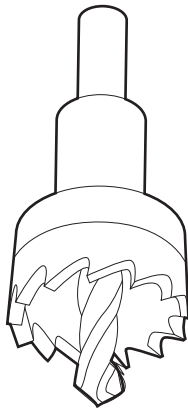
10mm
T30



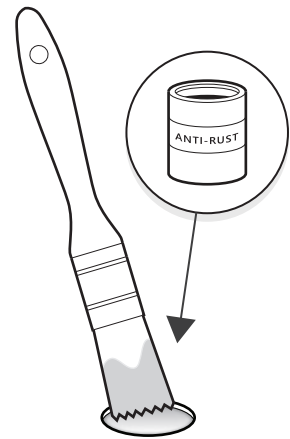
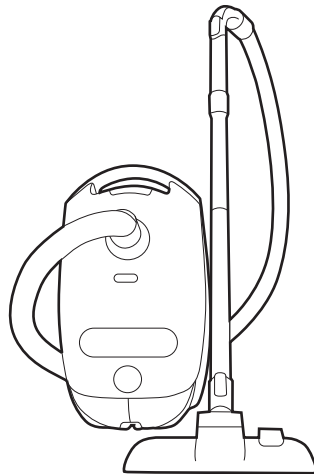
Rust protection
Rostschutzmittel
Anti-rouille
Anti roest

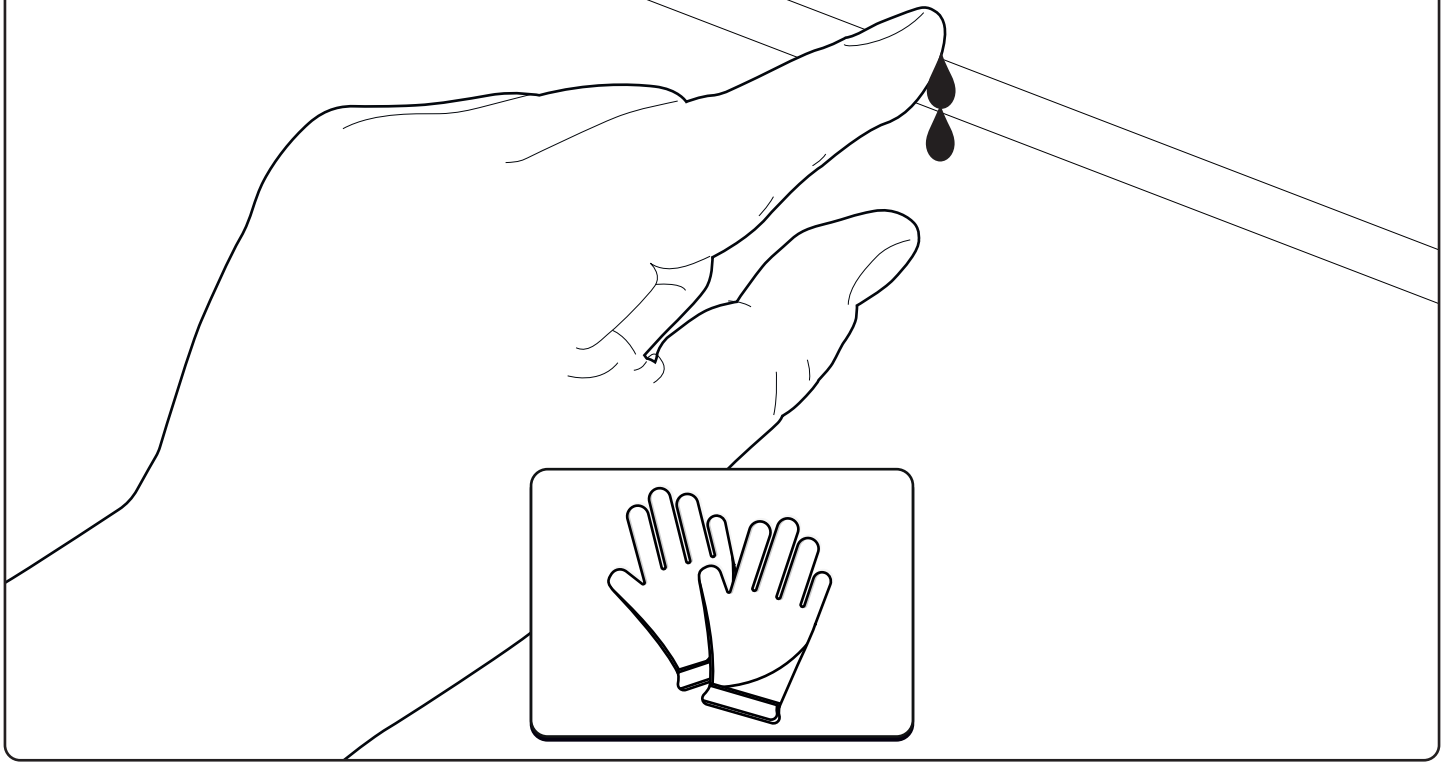


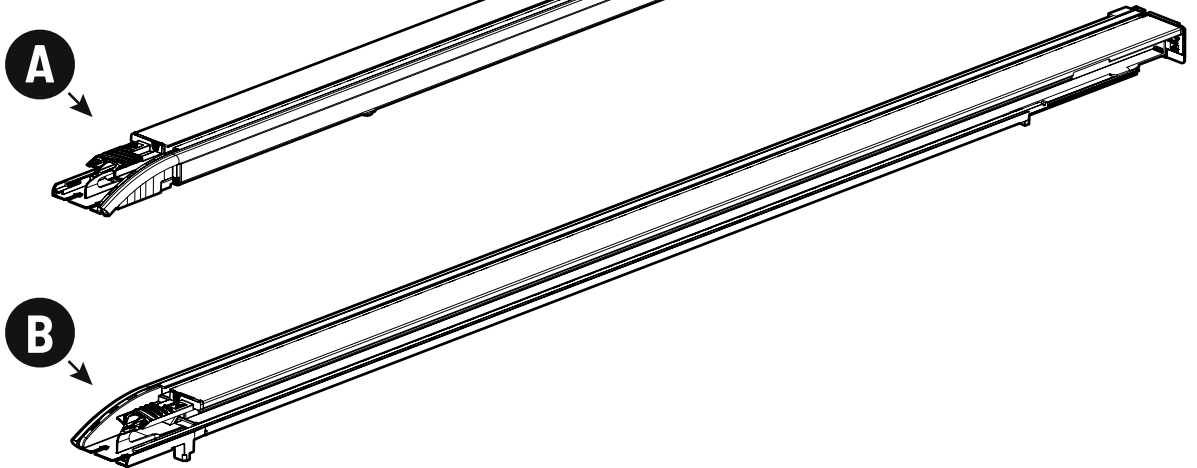
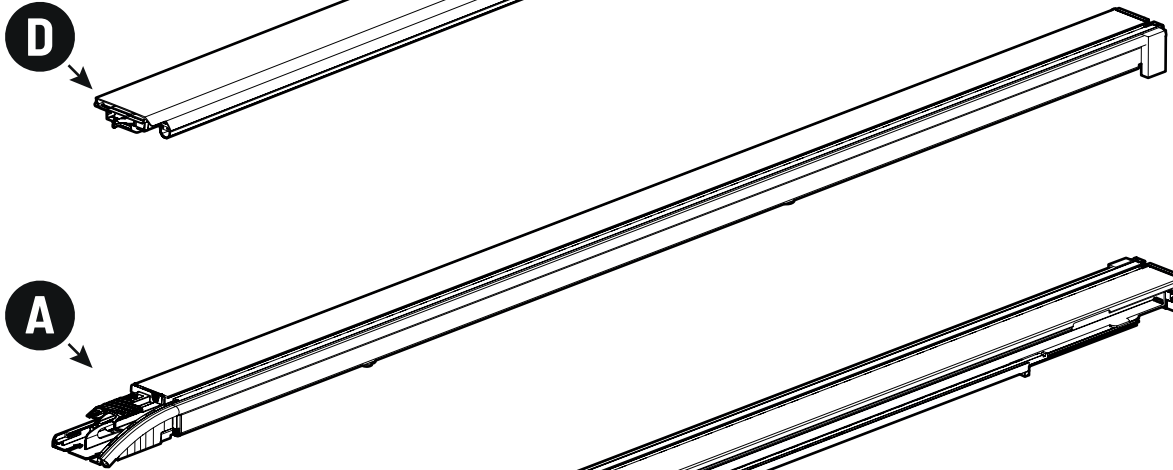
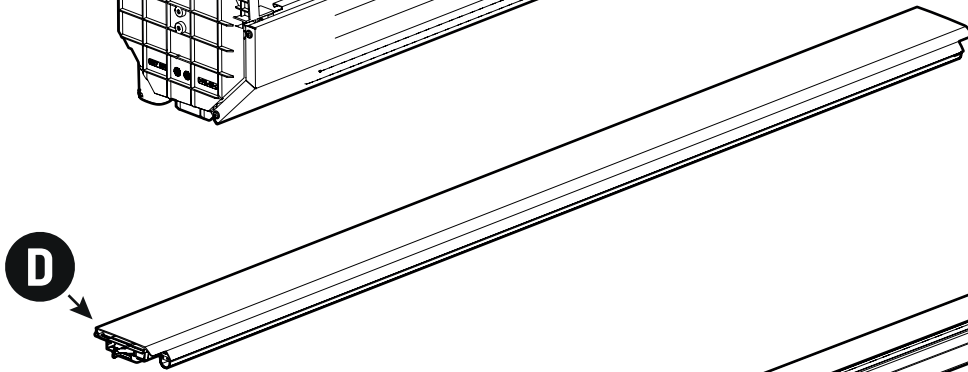
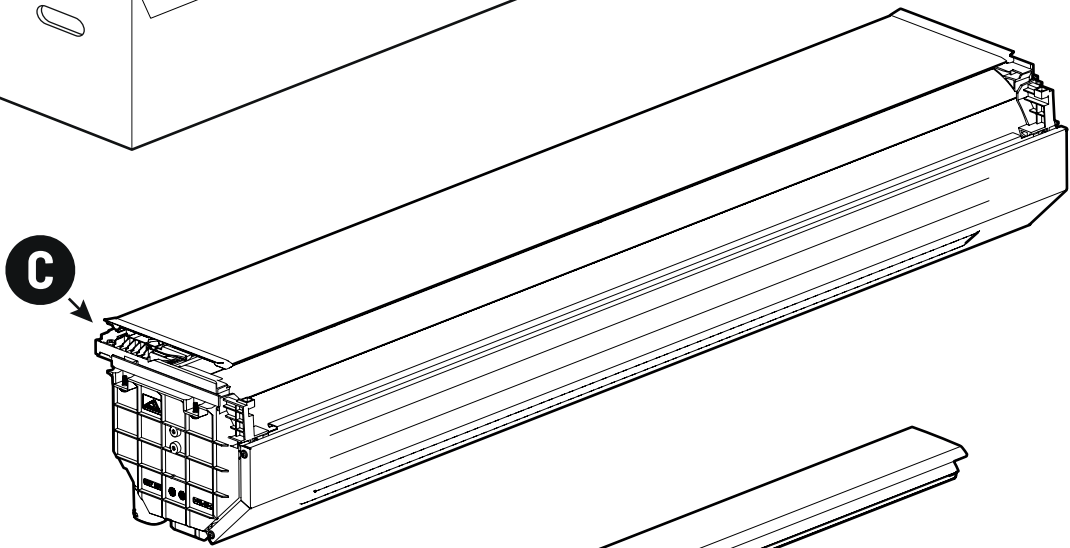
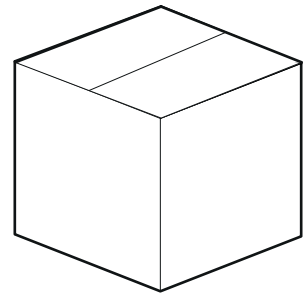
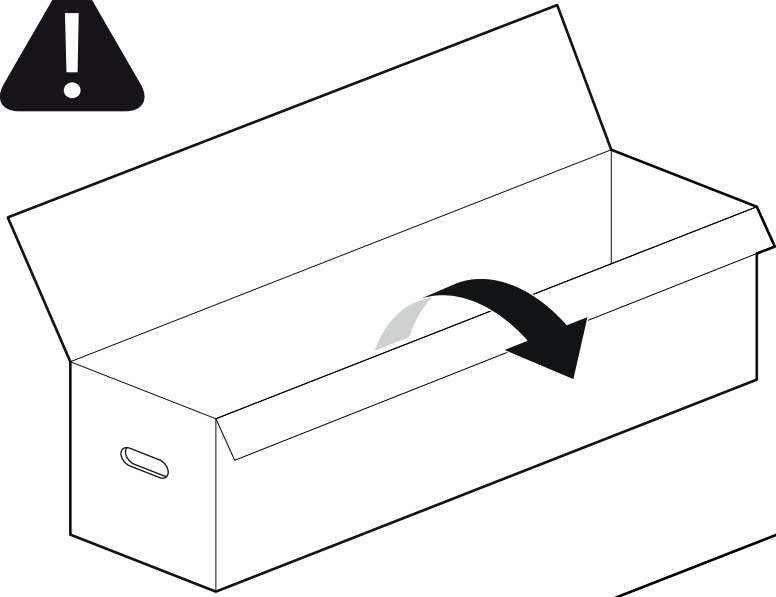
Applying rust protection



Ø40 MM

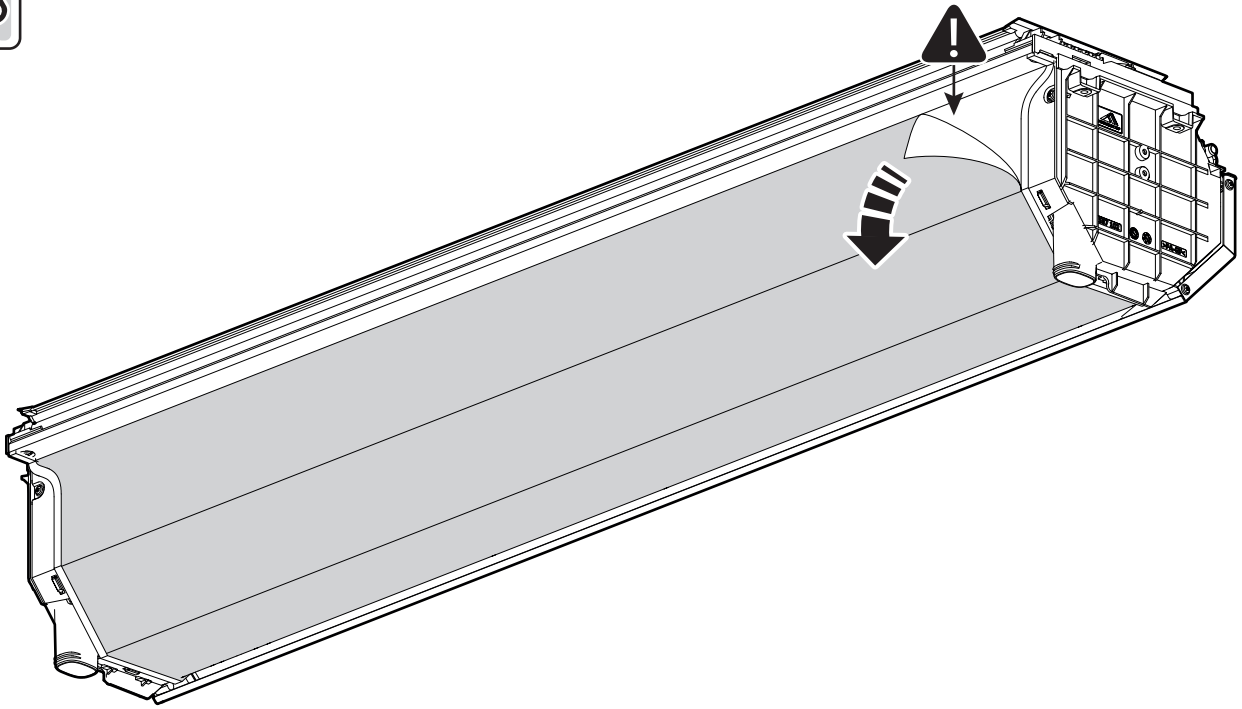




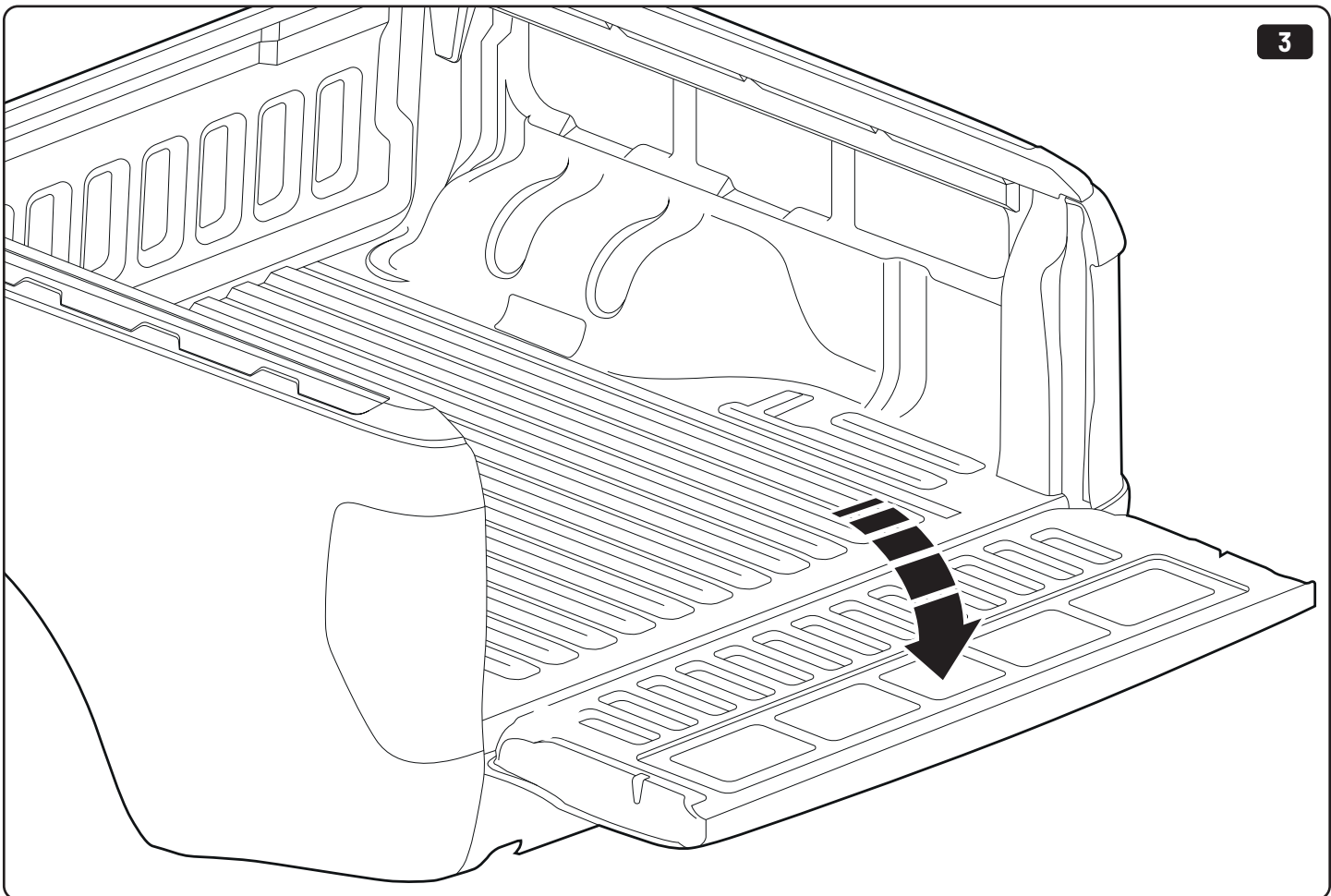




2

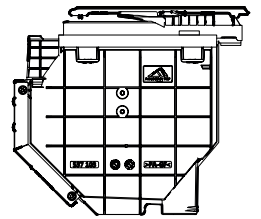
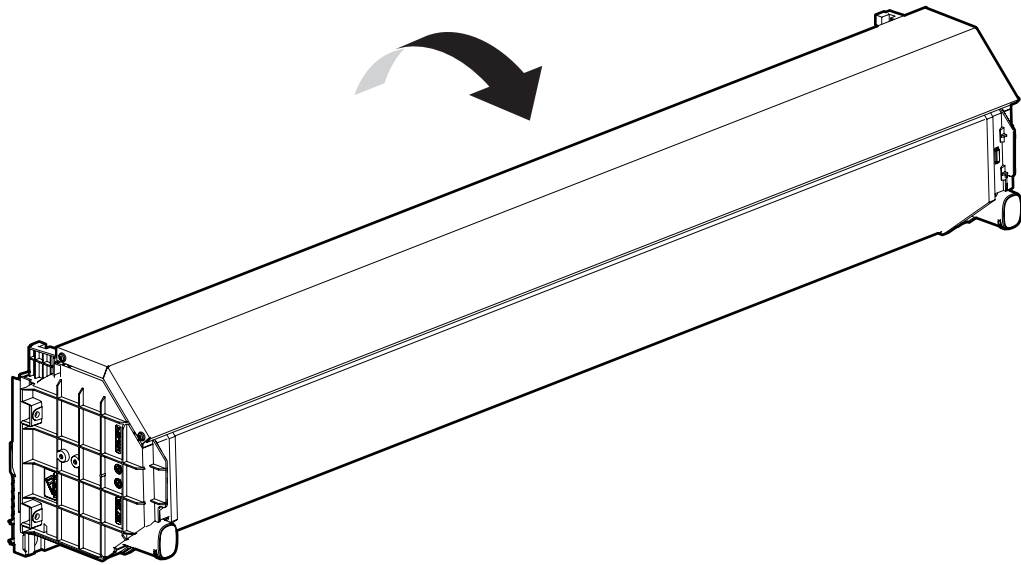


3

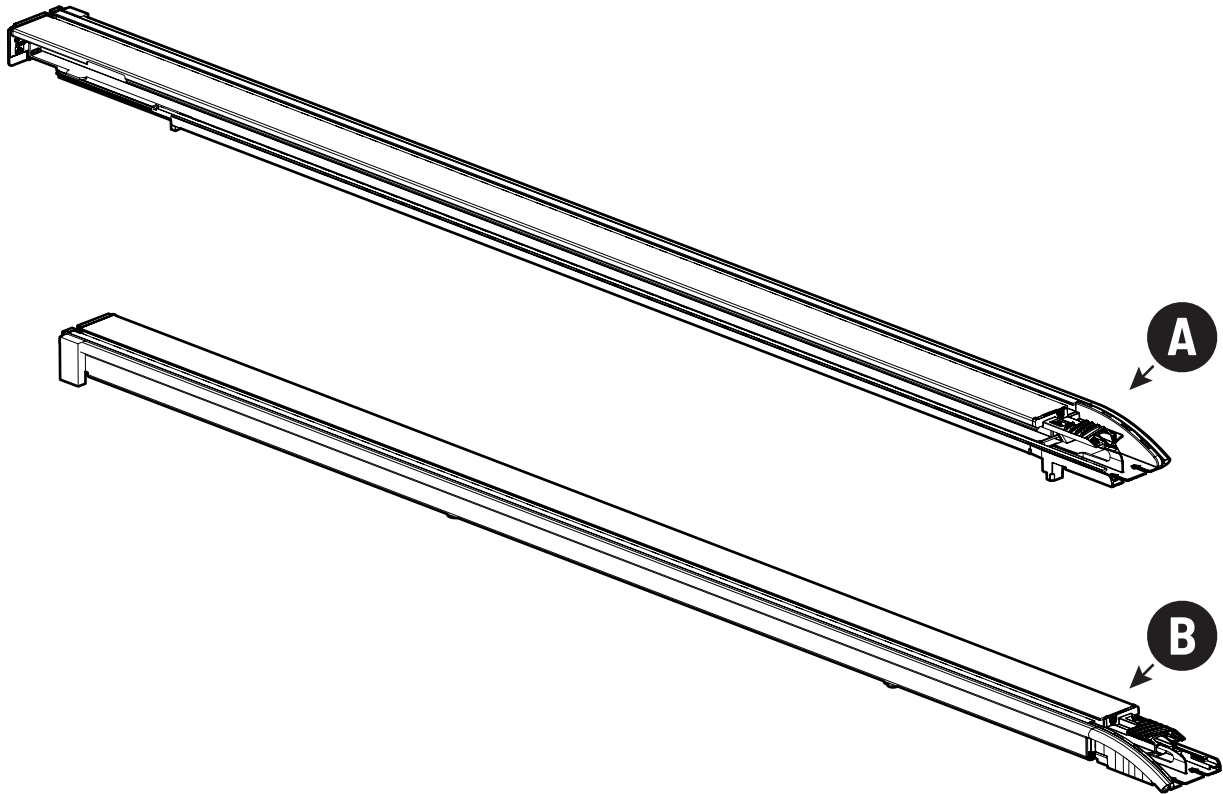


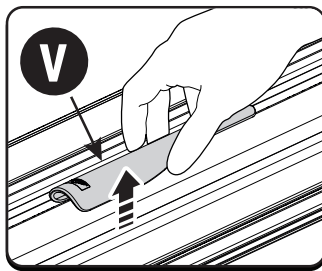
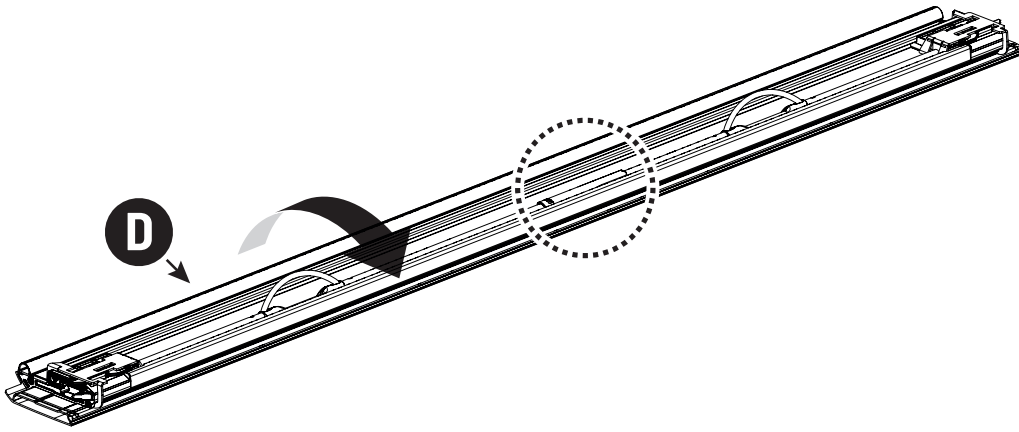


4

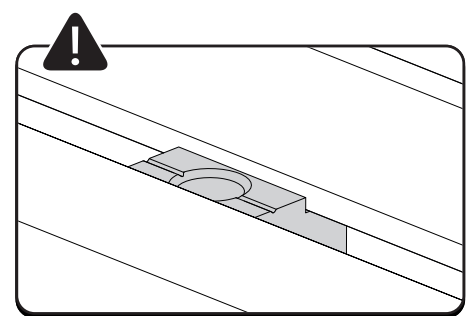
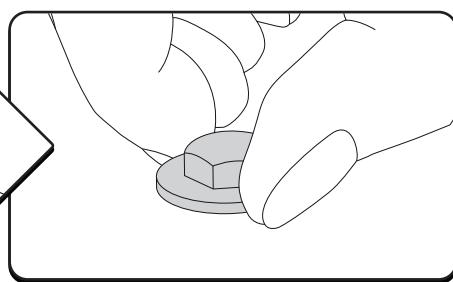
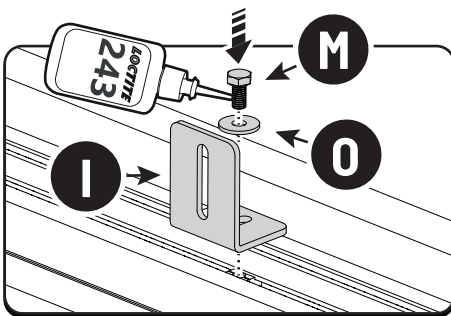
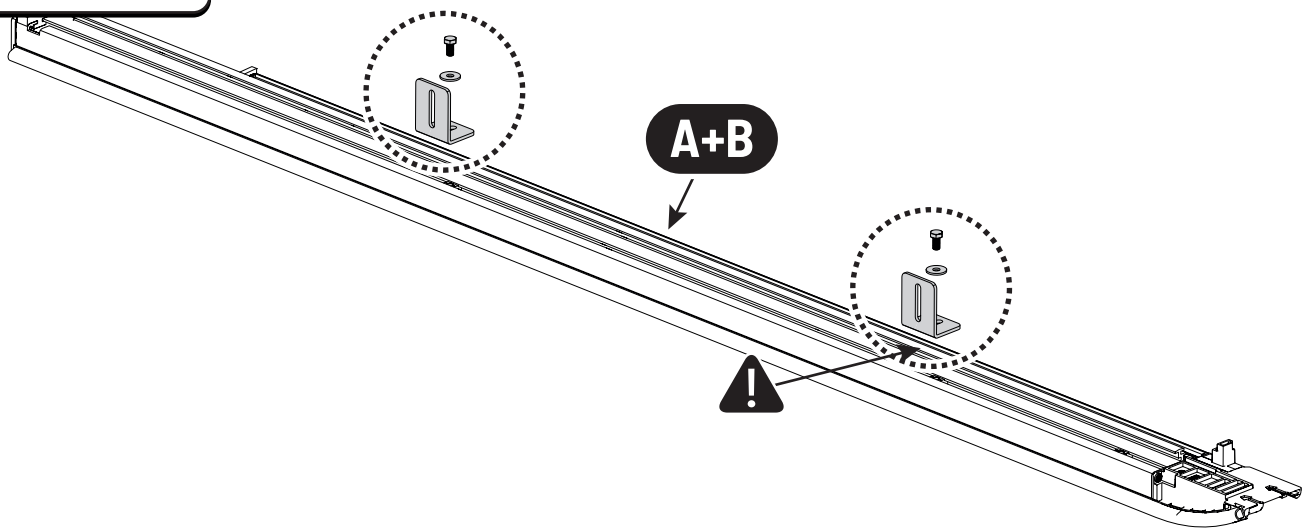


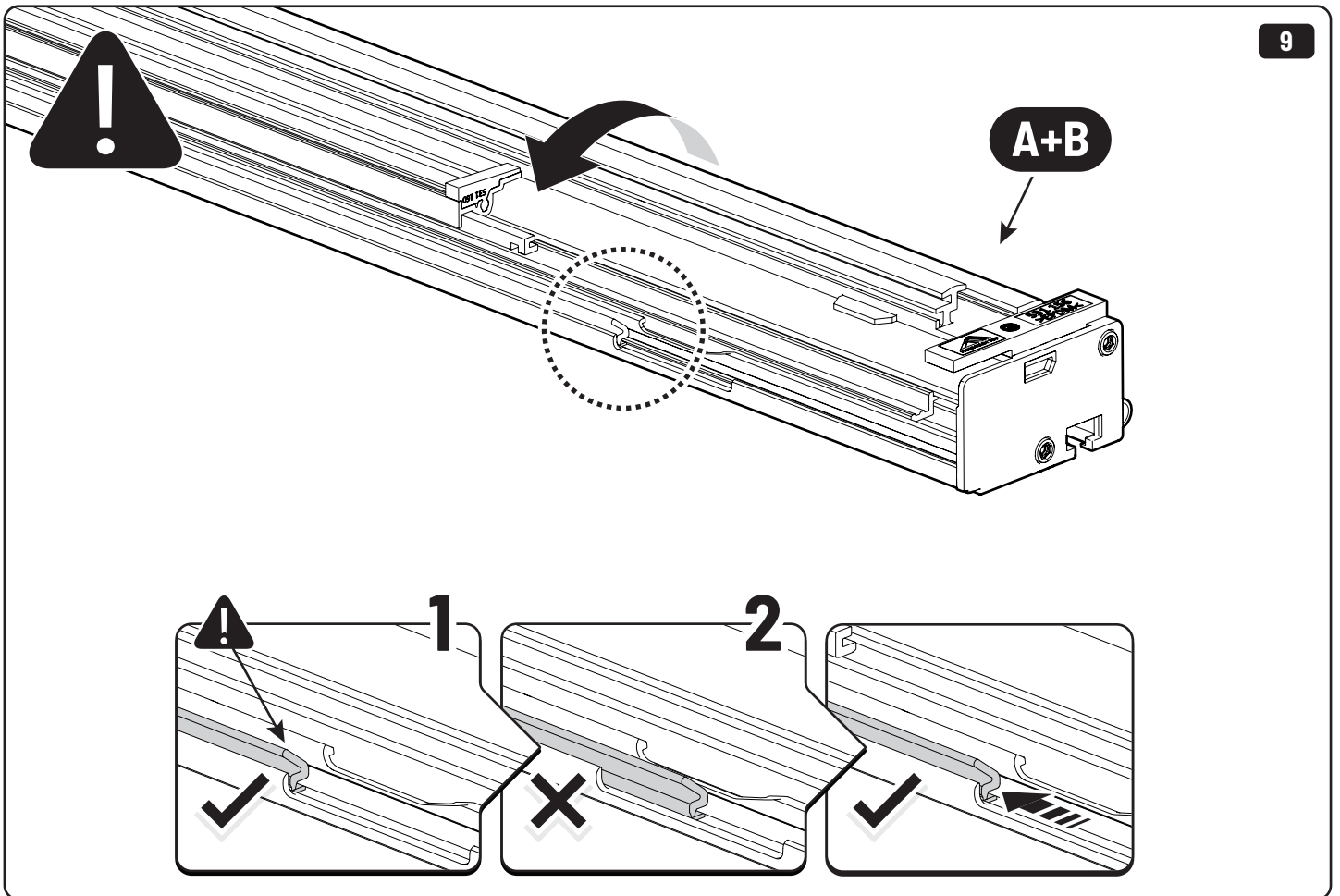
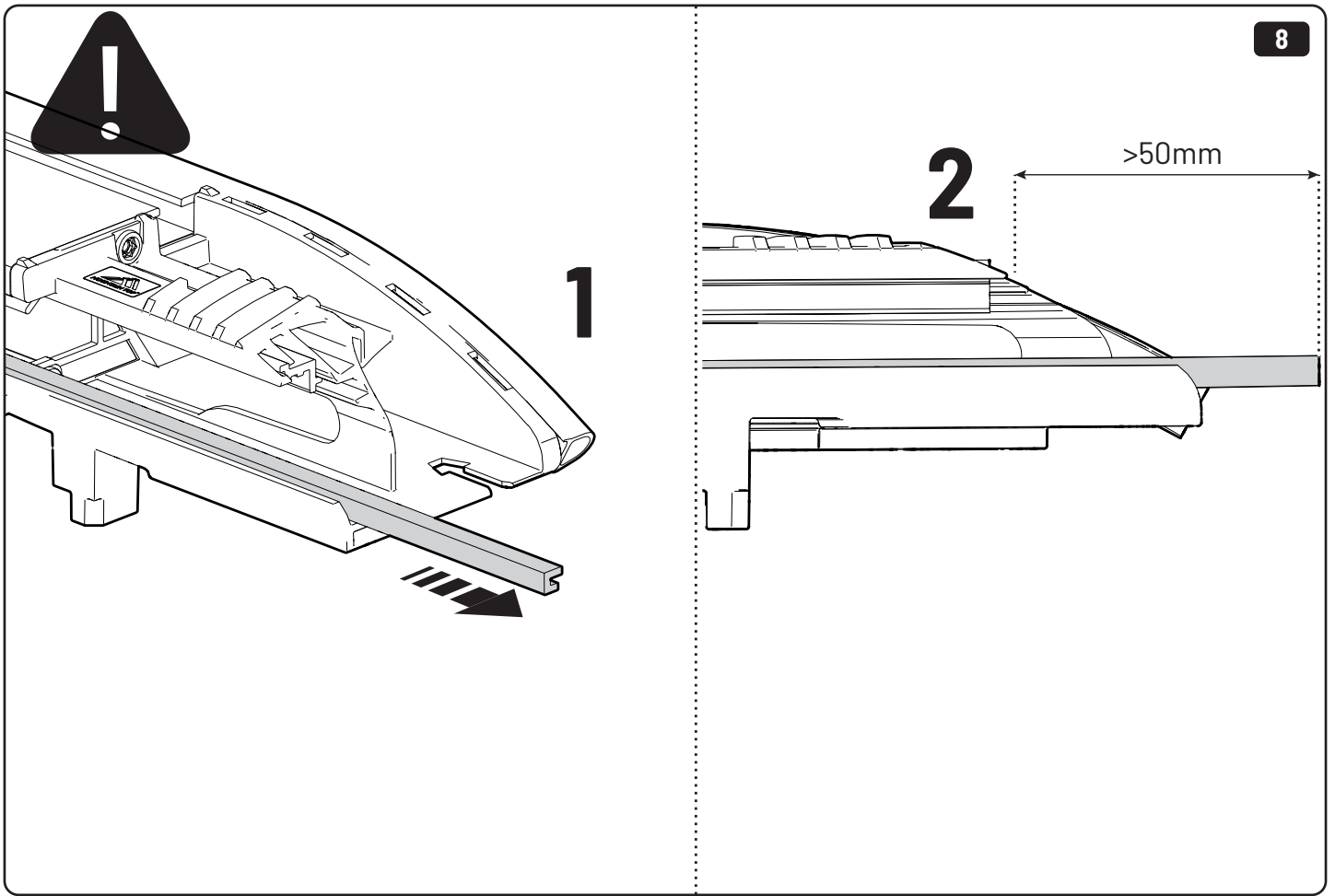
5

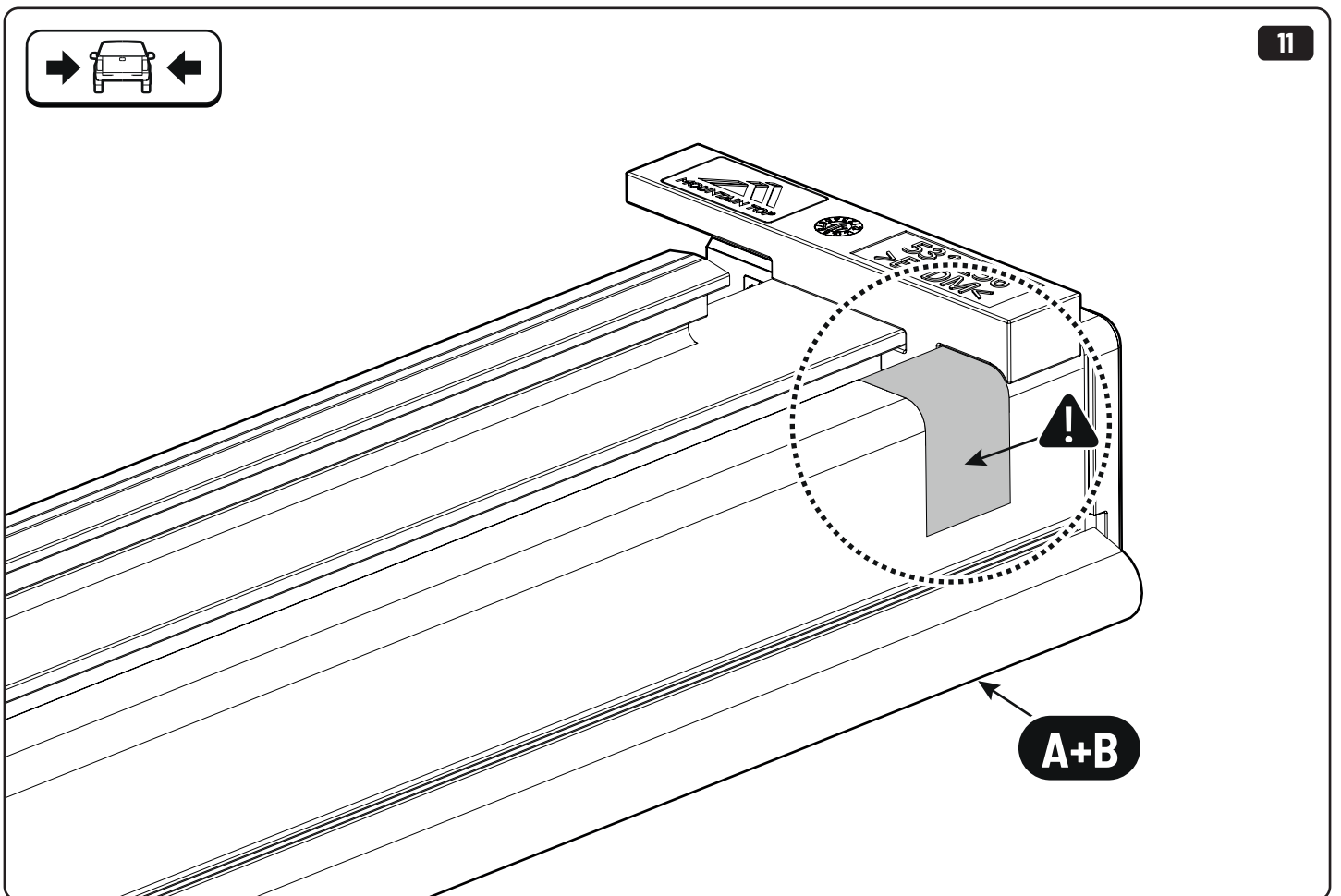
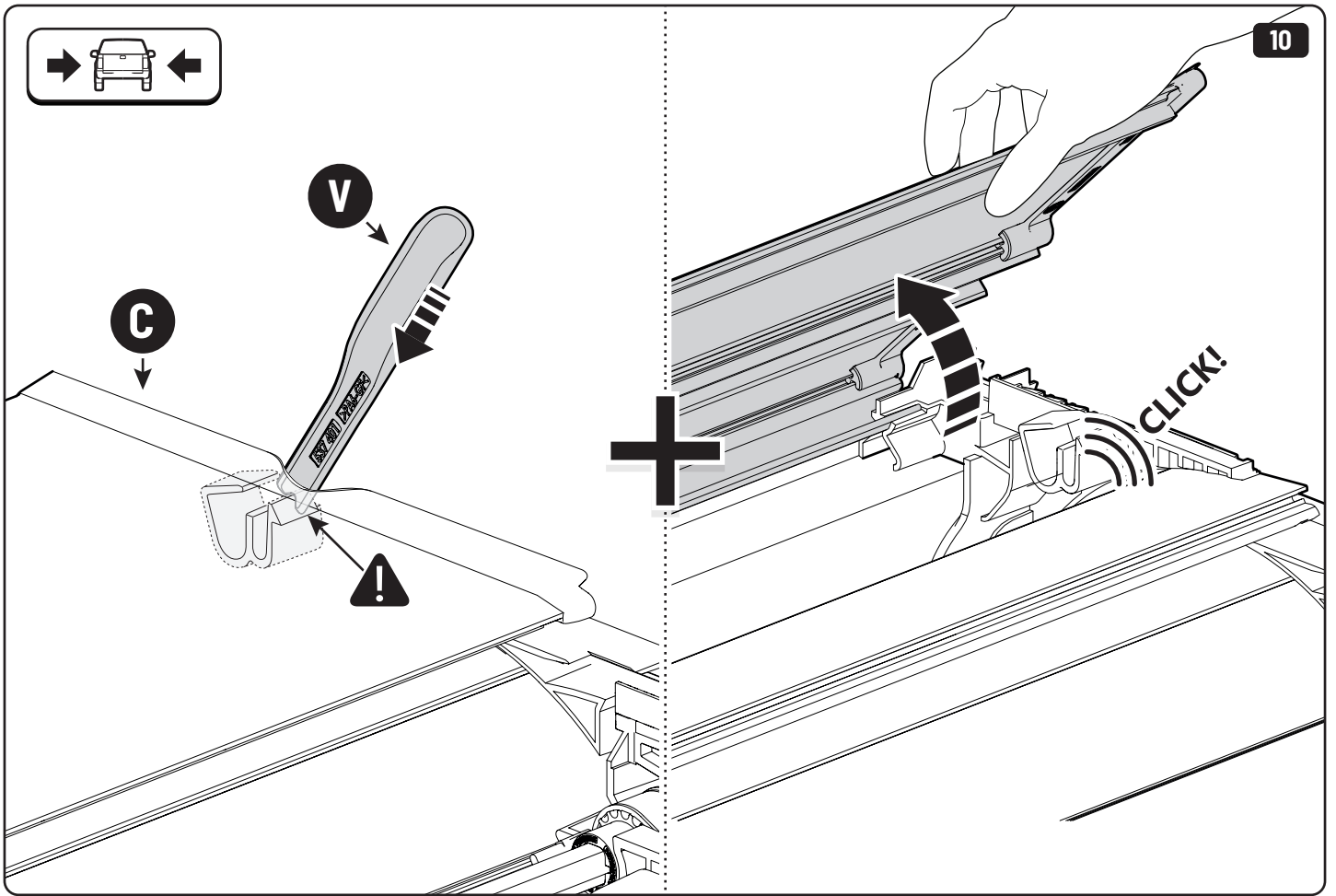


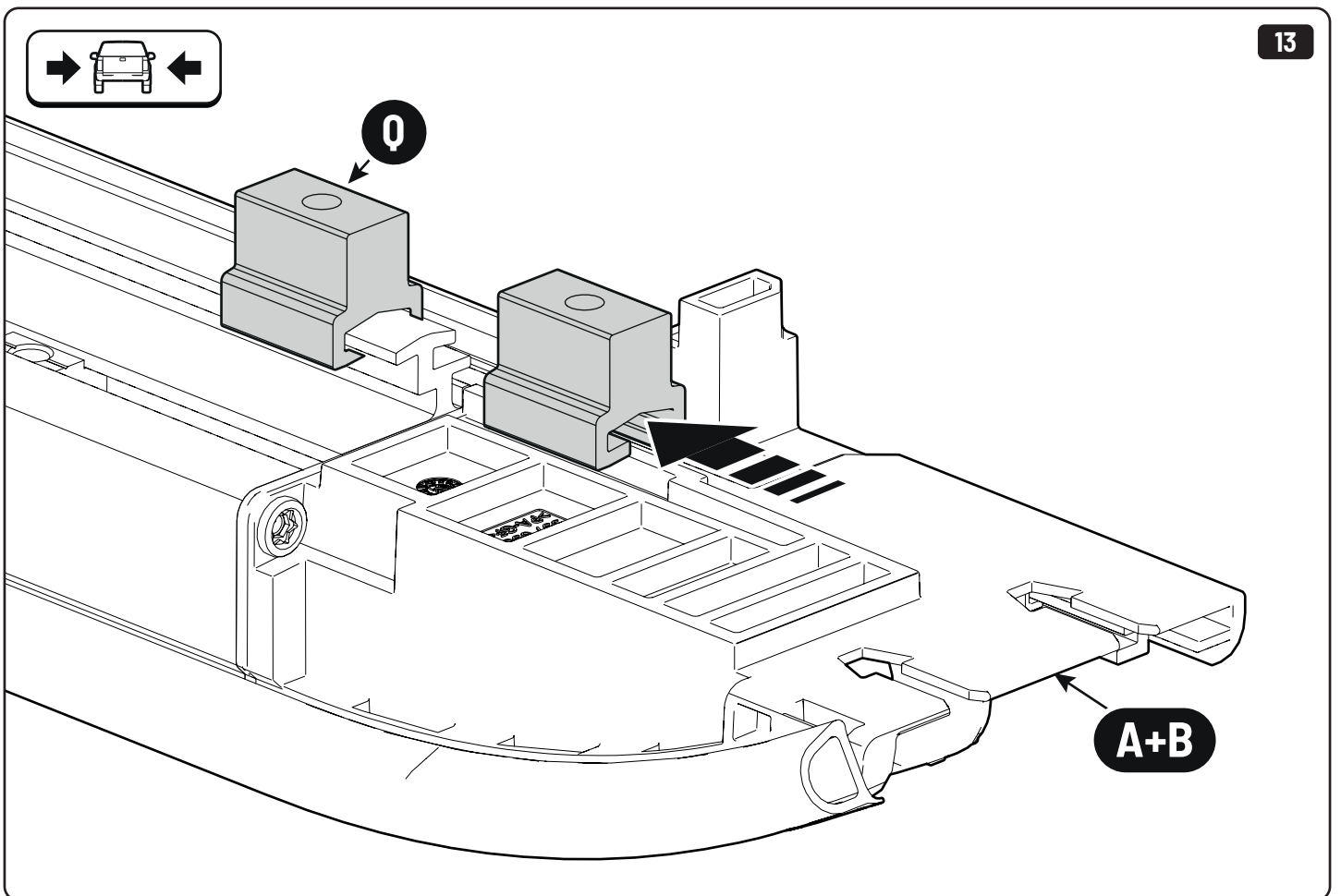
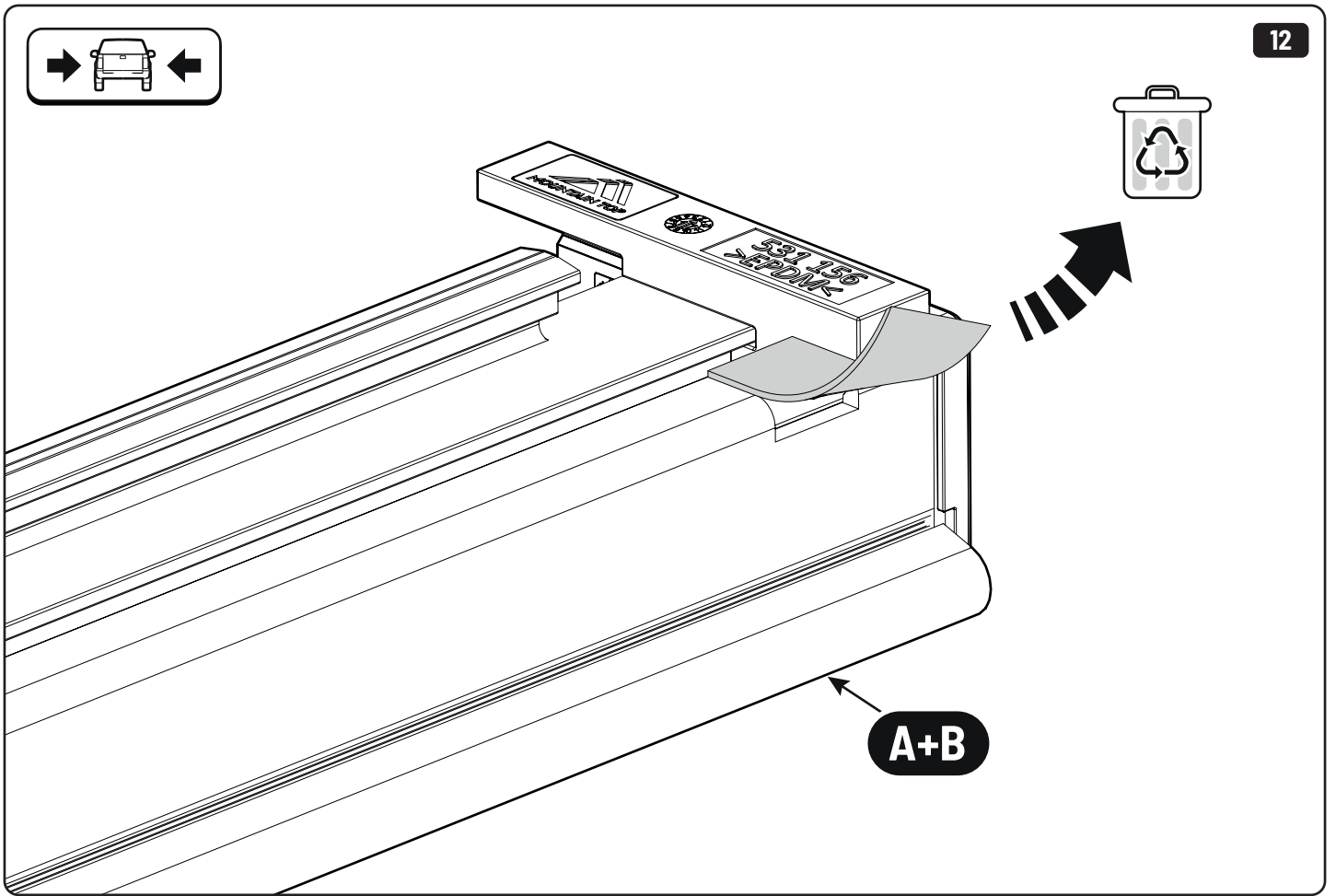


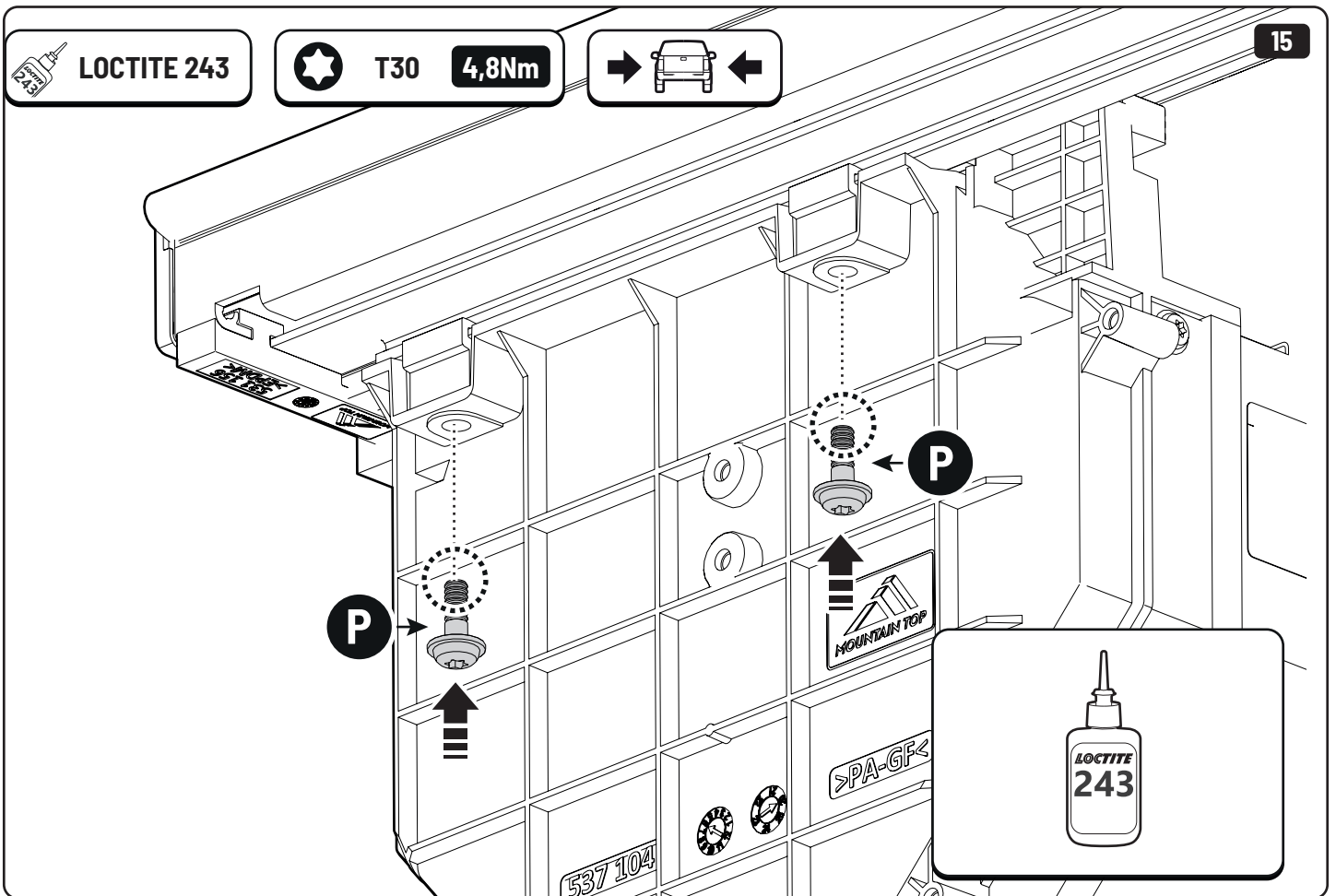
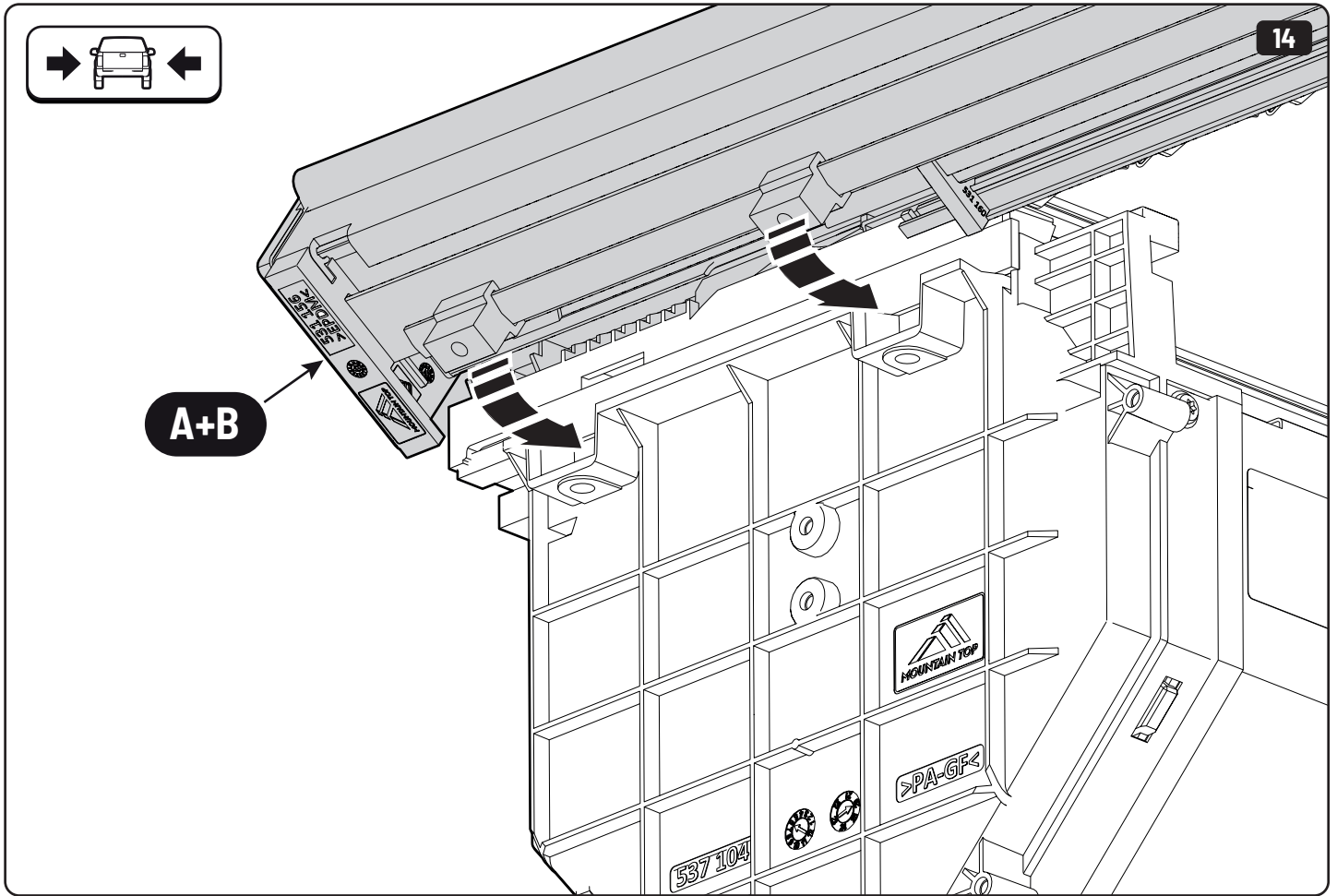
 LOCTITE 243

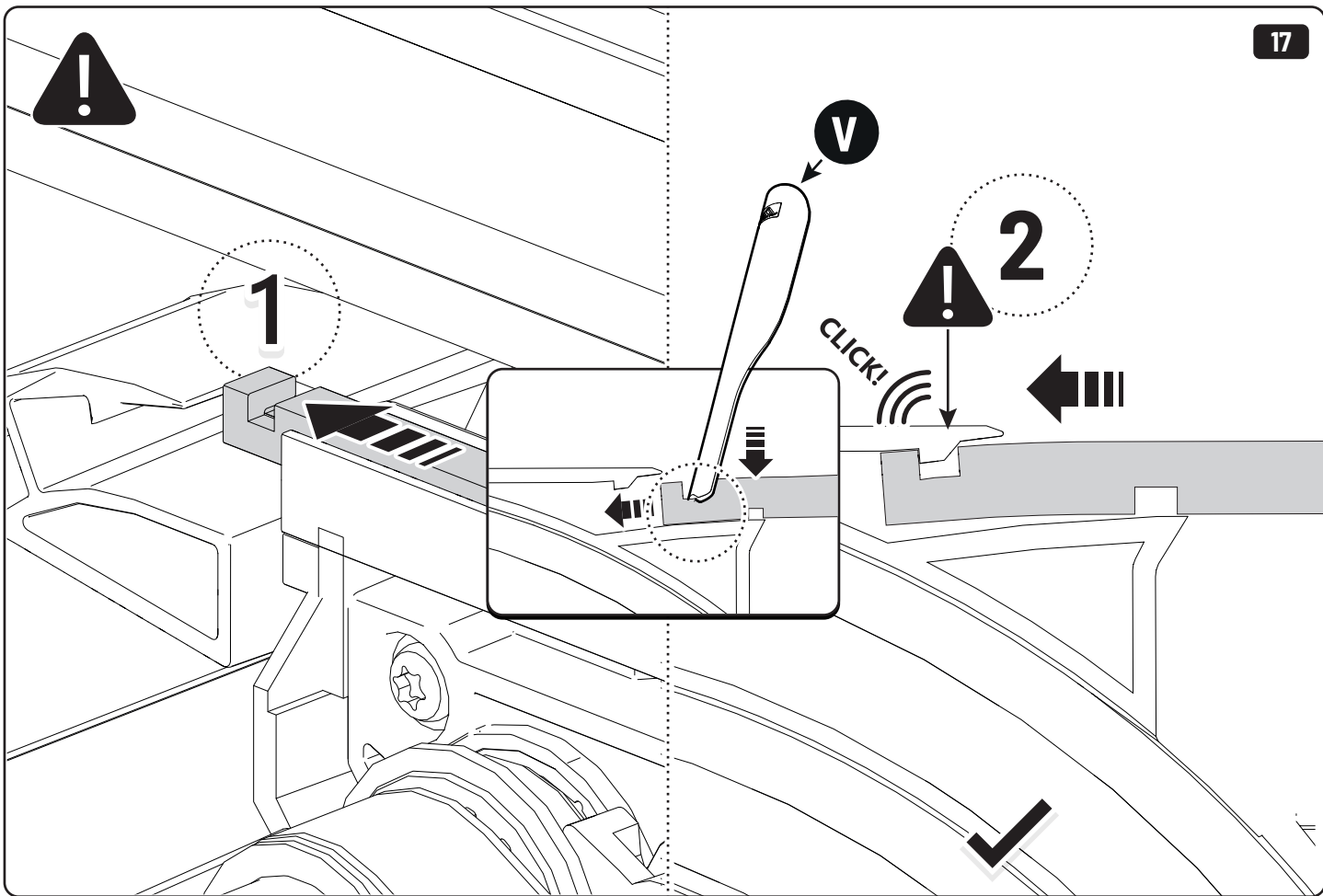
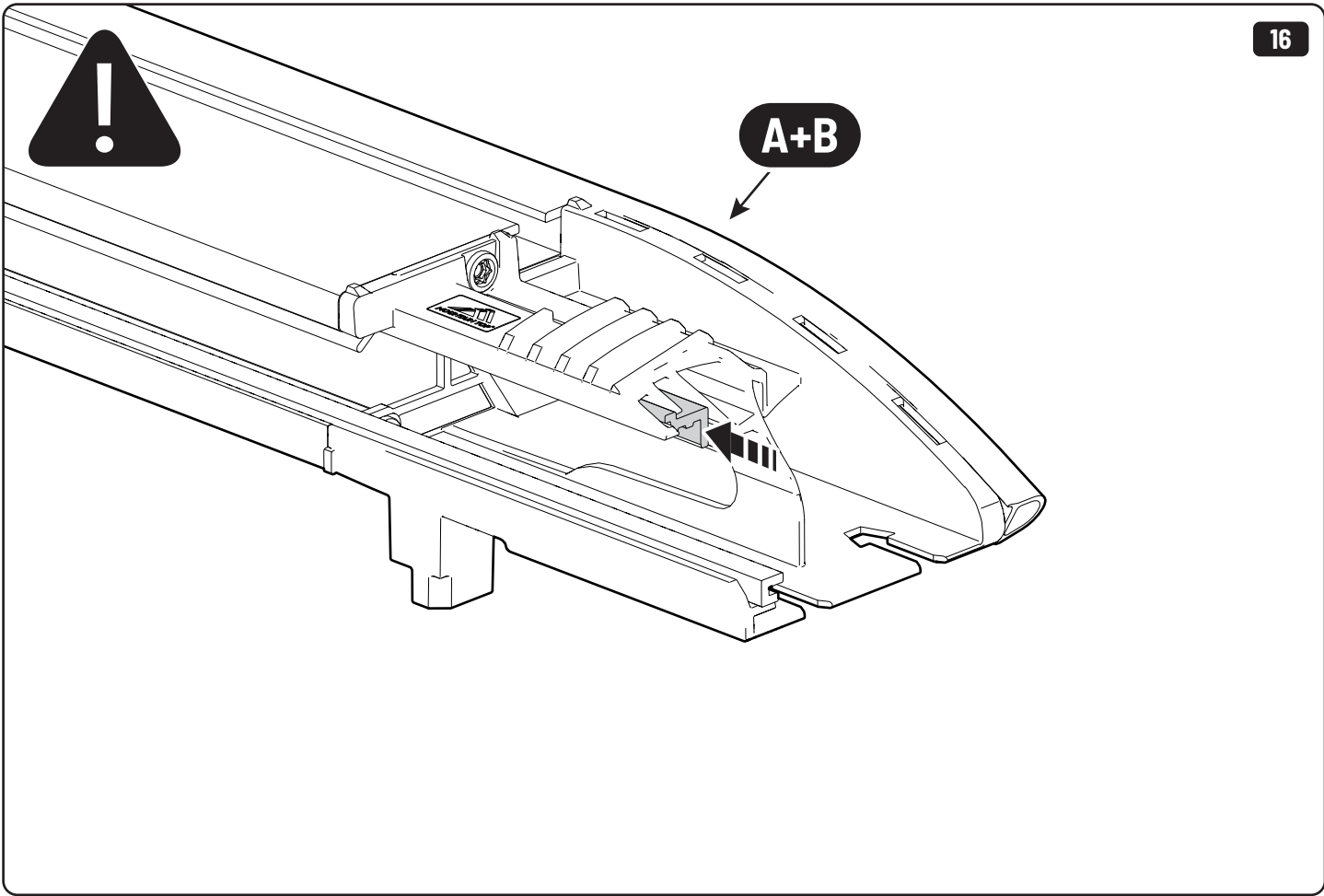


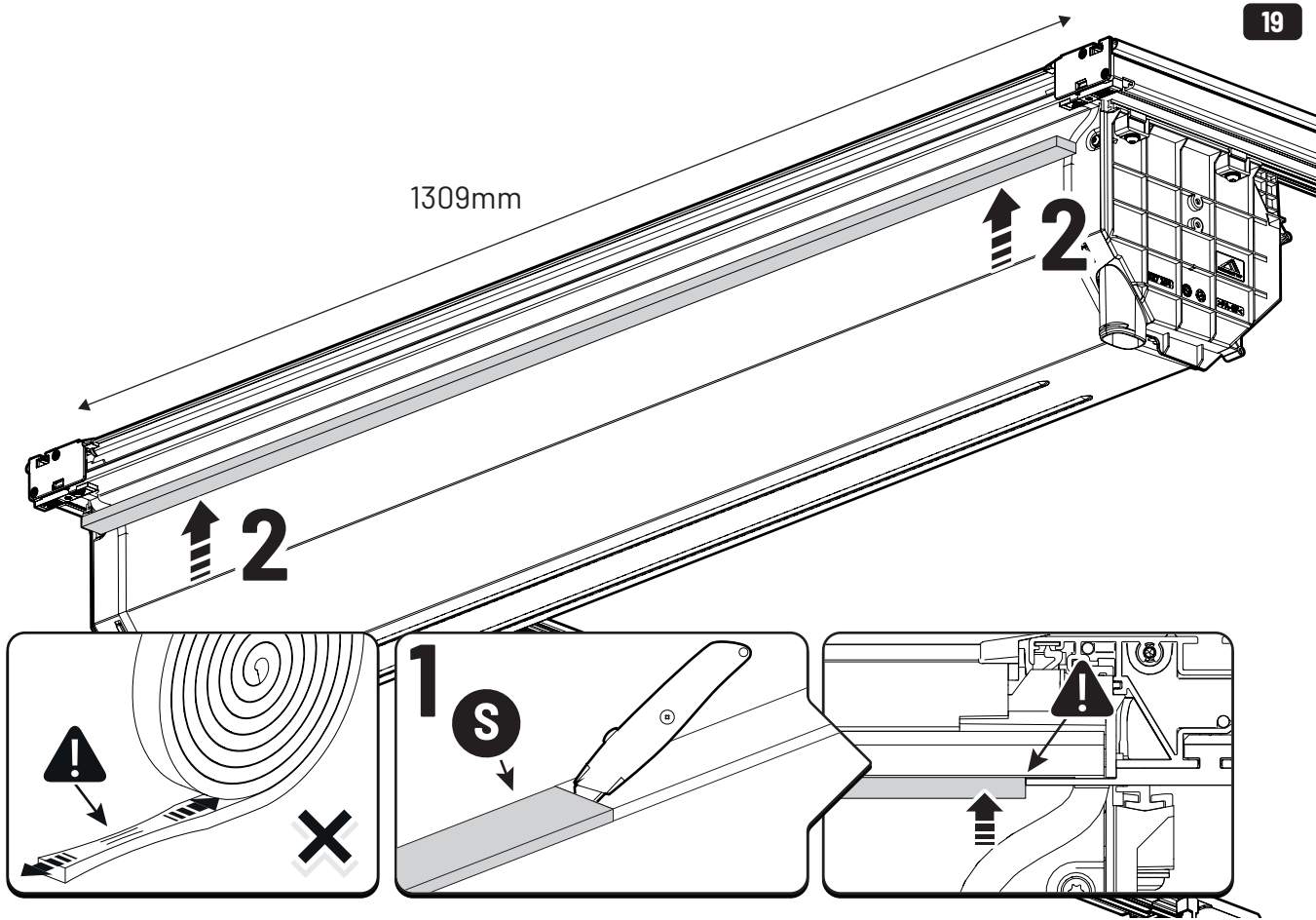
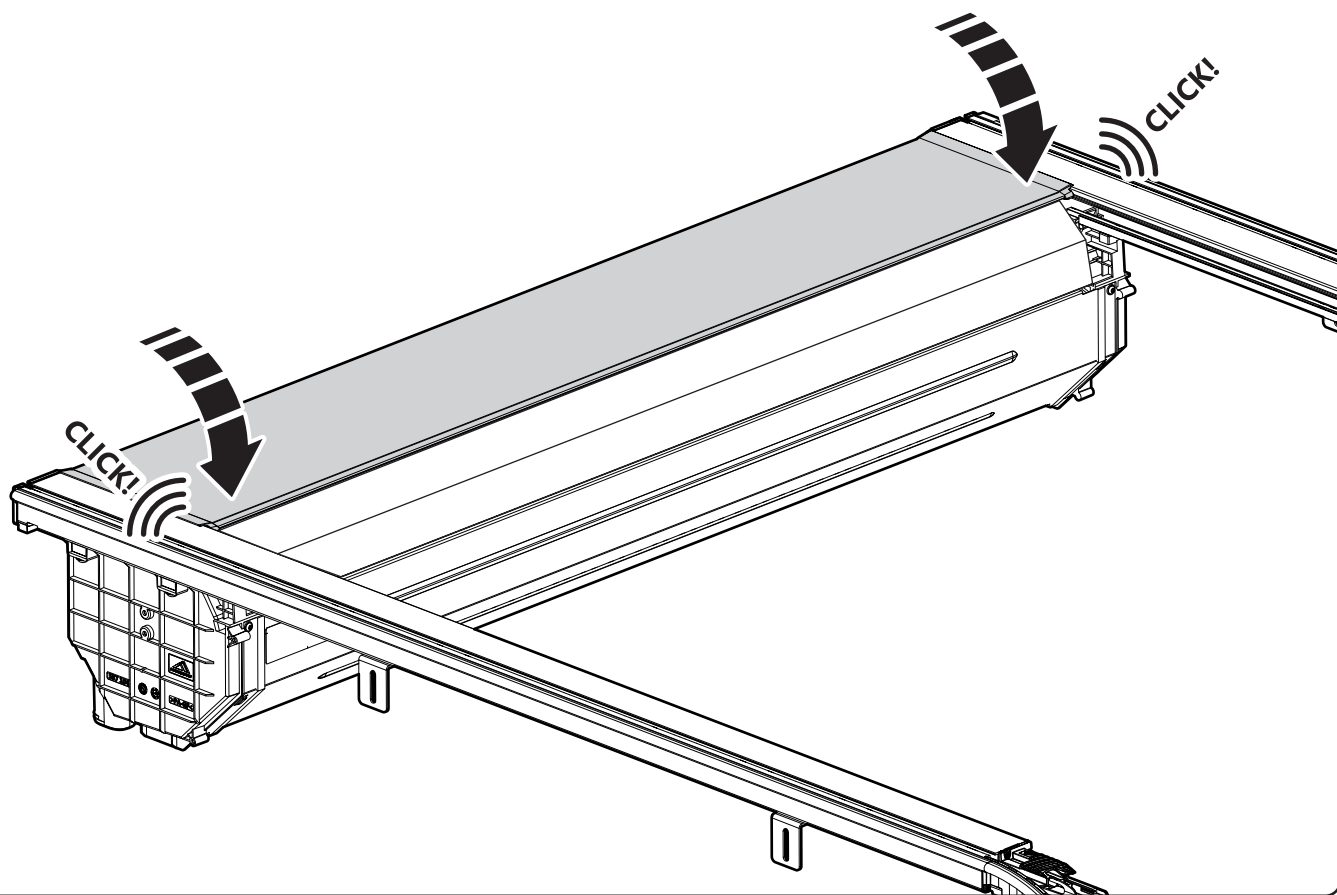


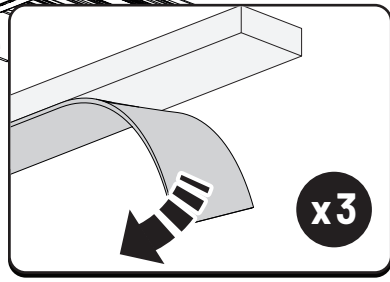
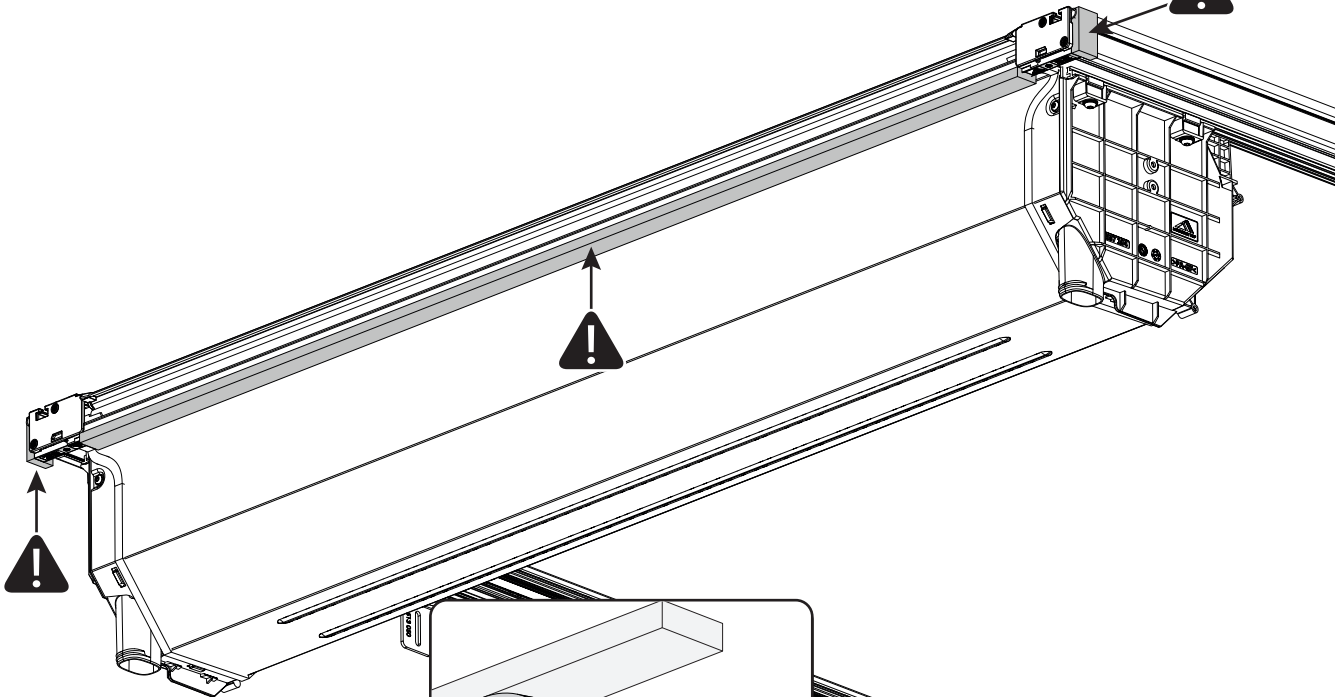
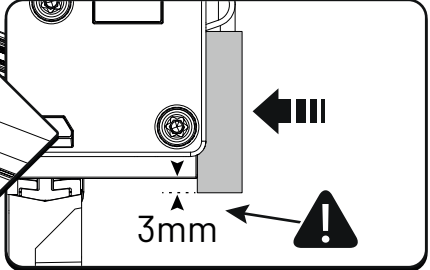
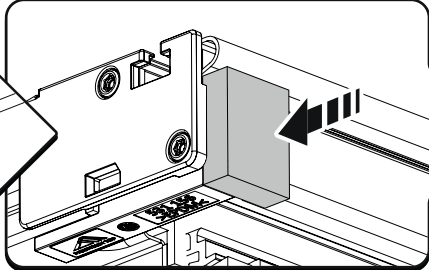
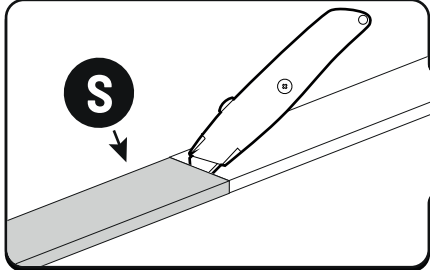
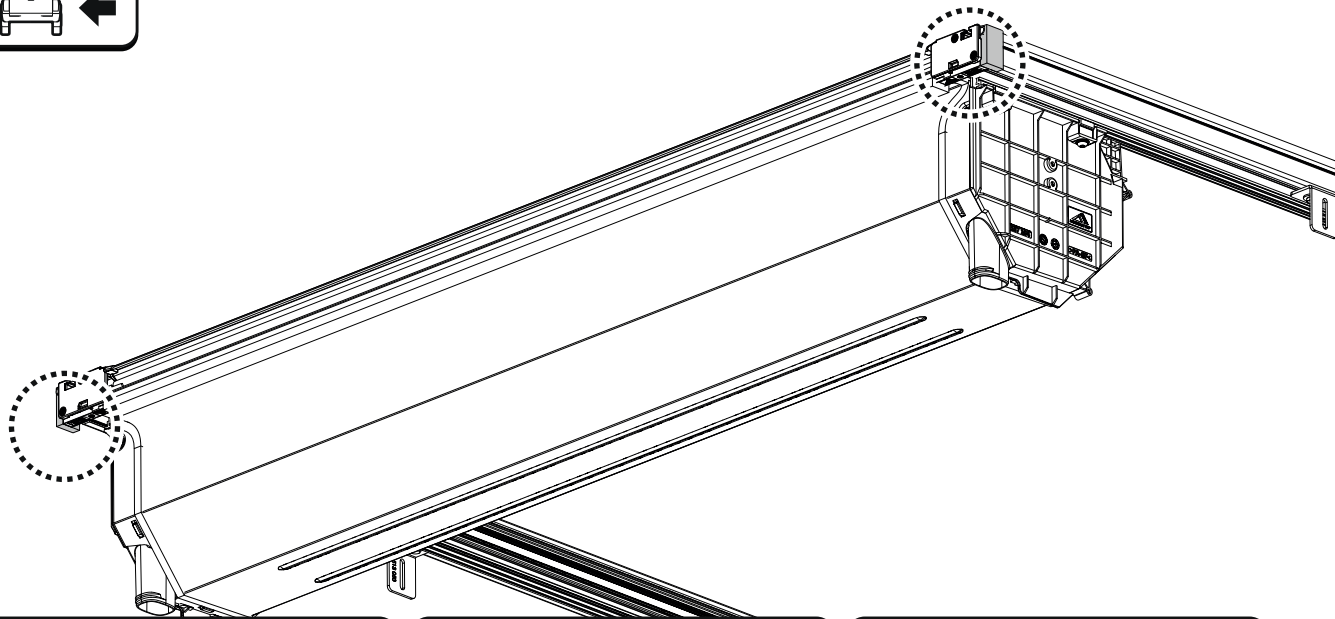
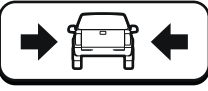


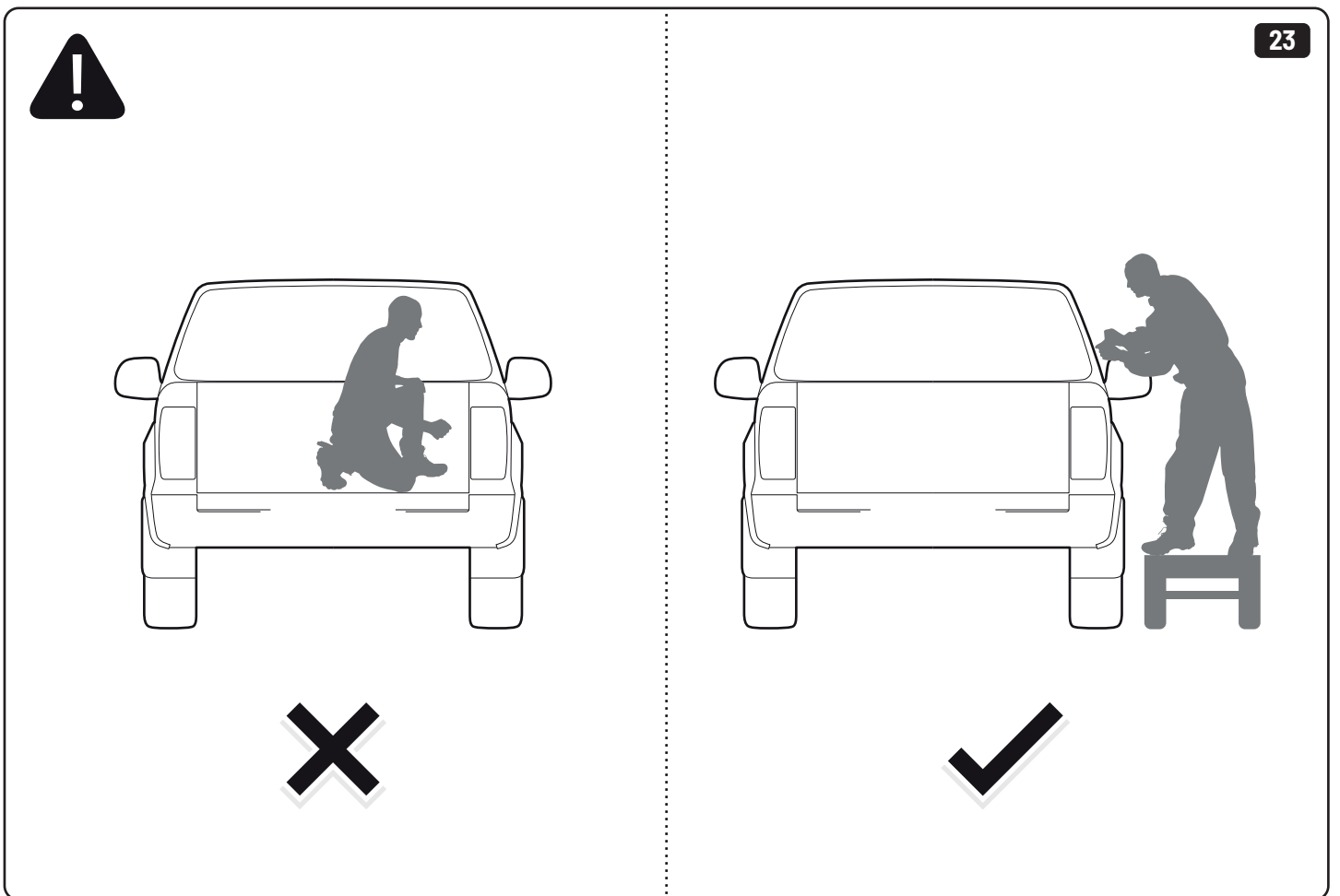
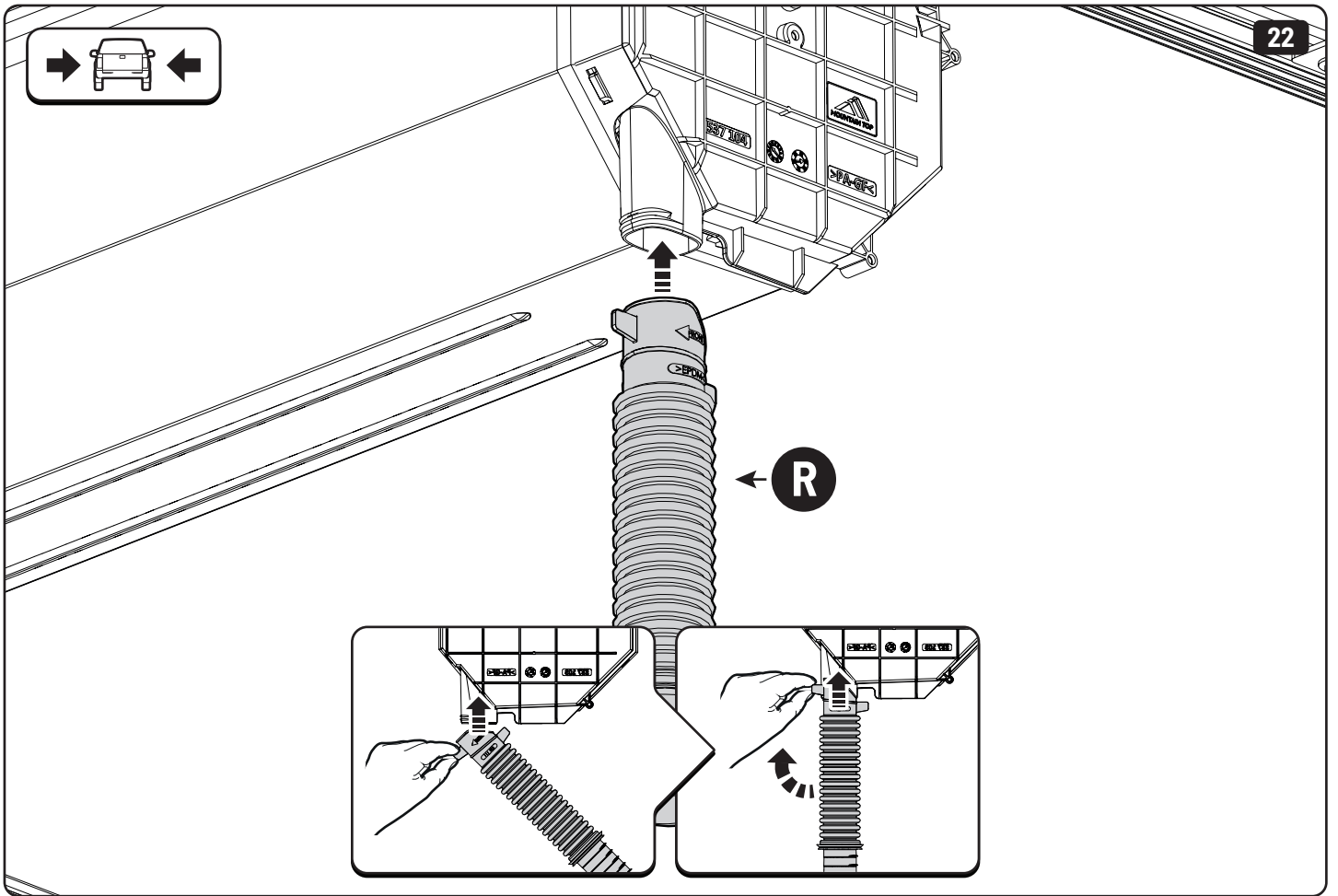


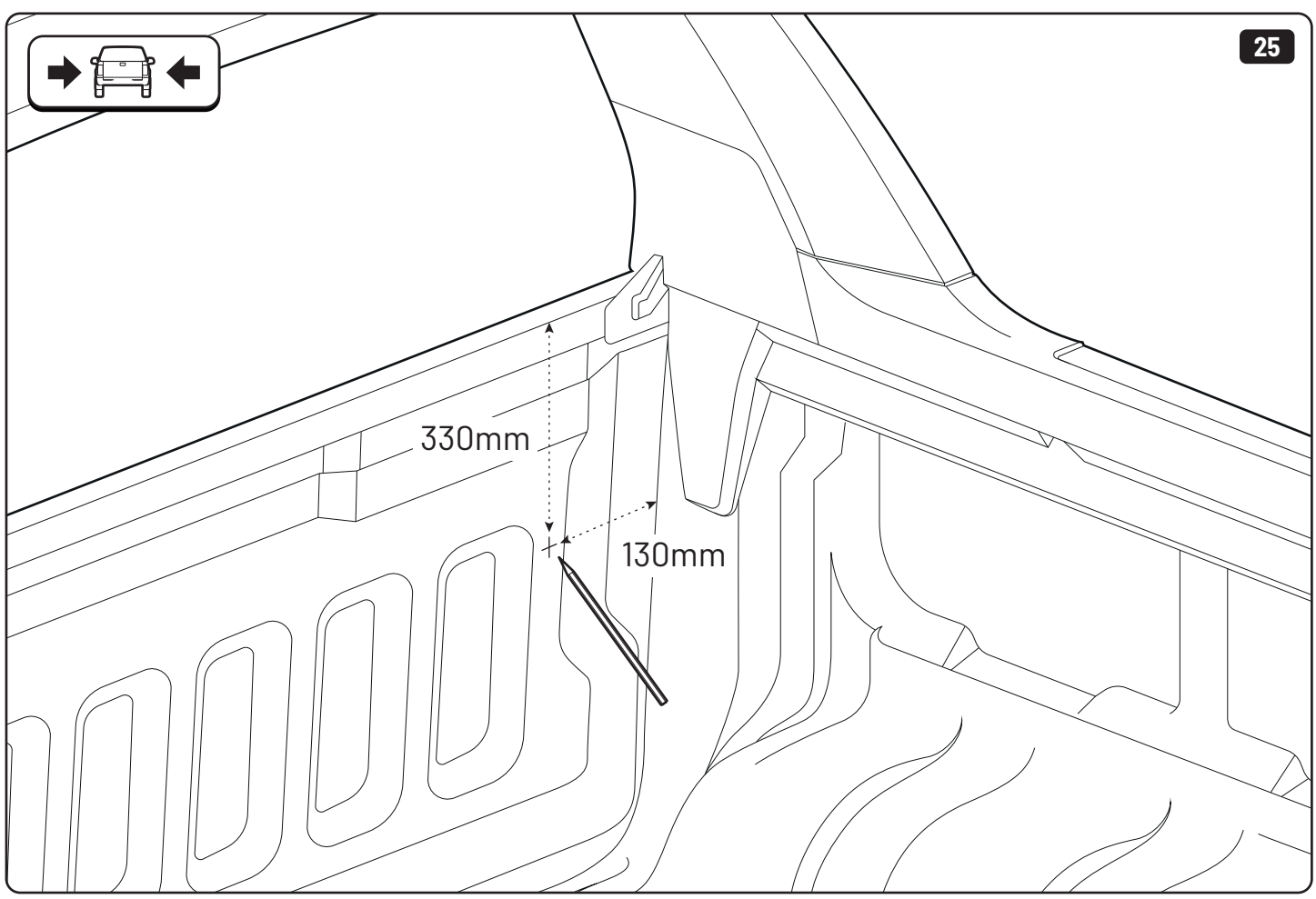
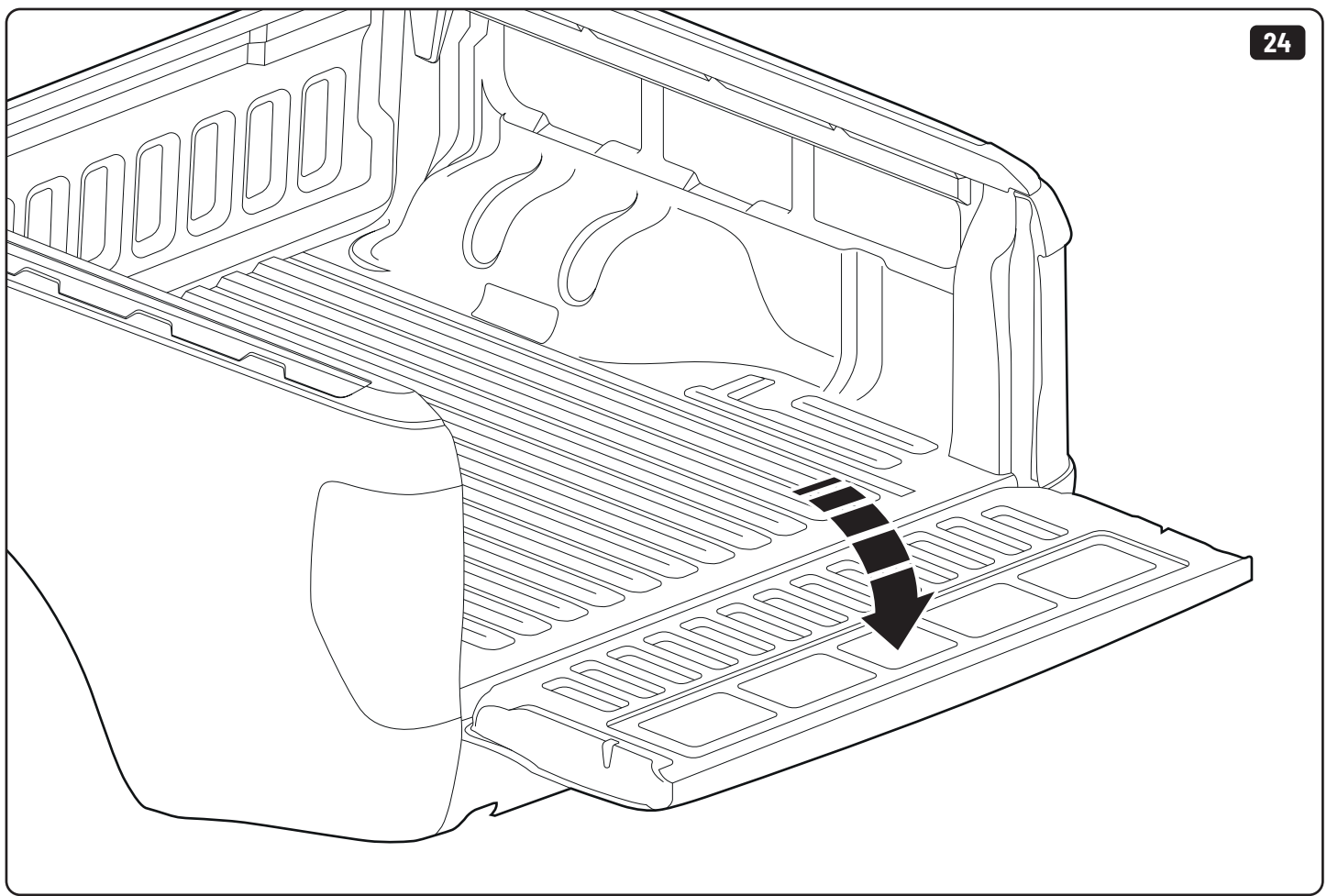


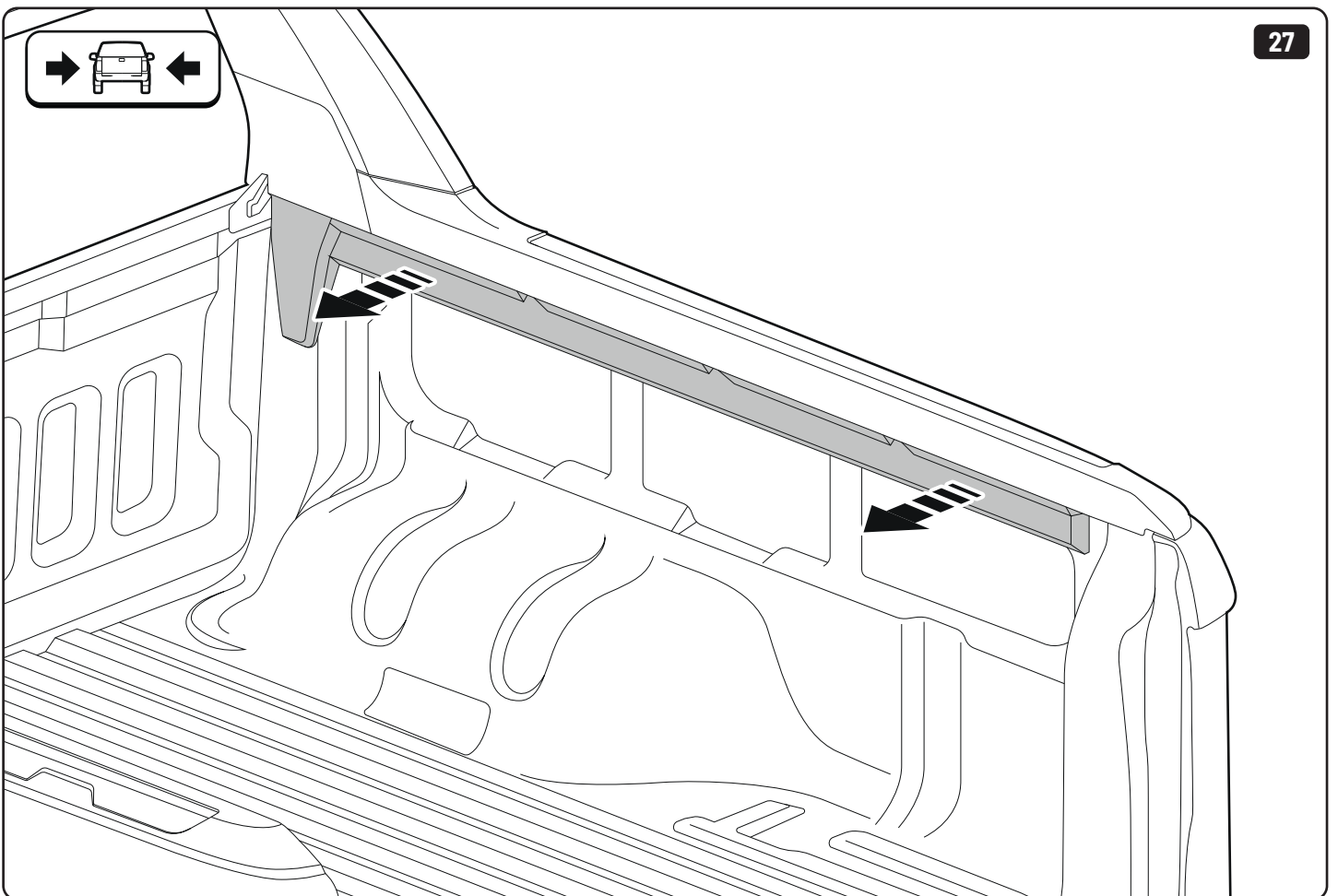
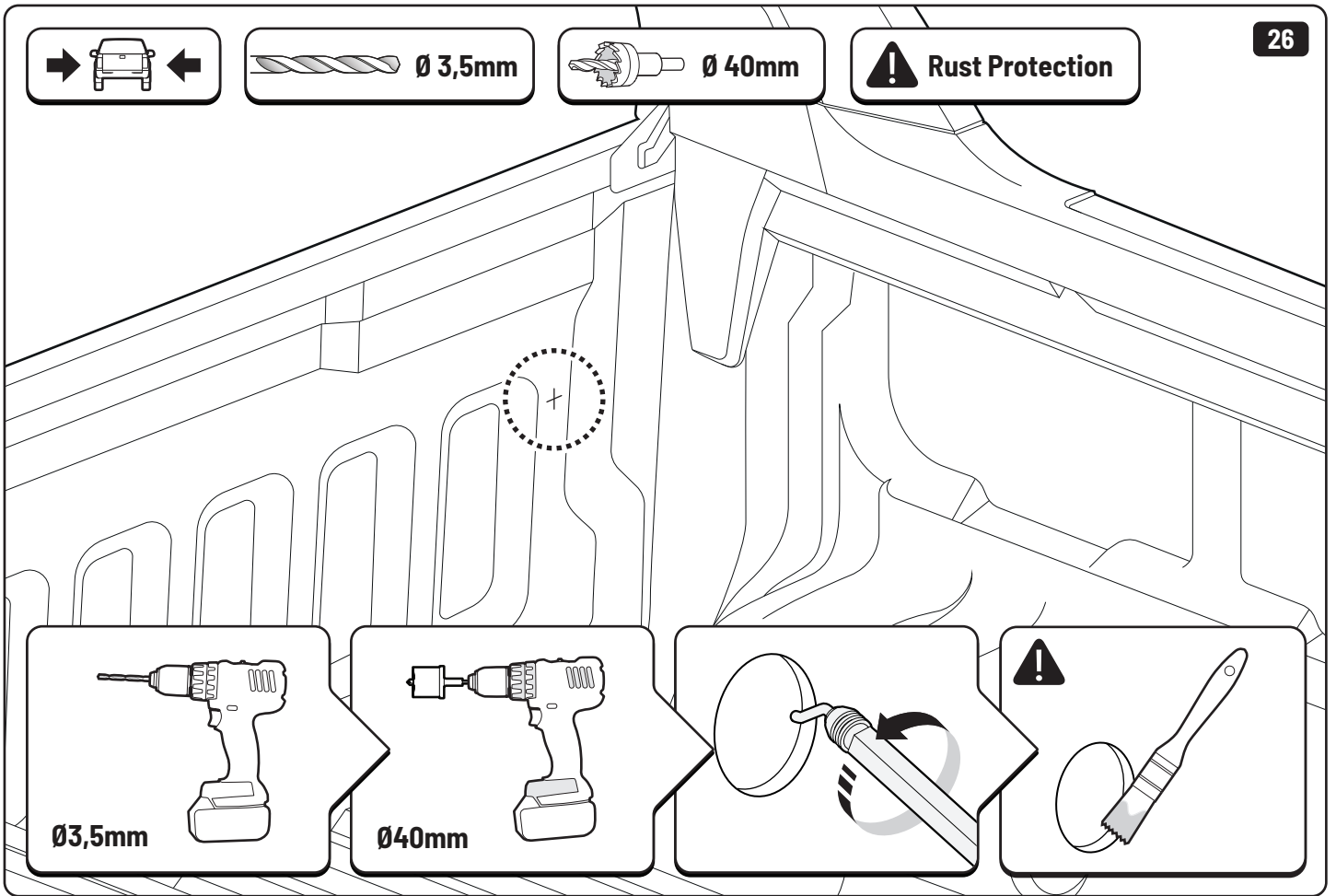


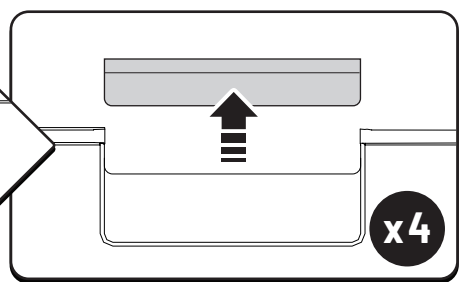
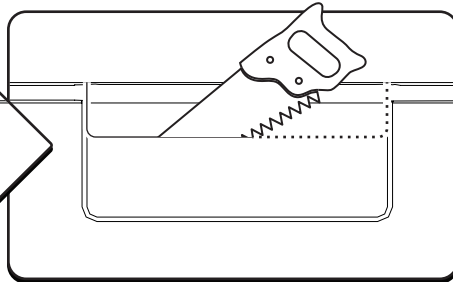
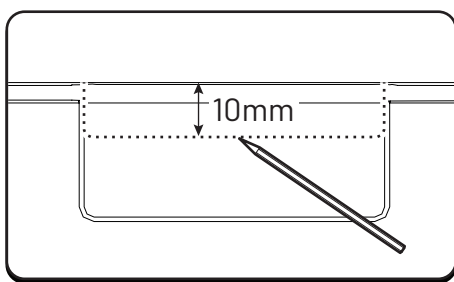
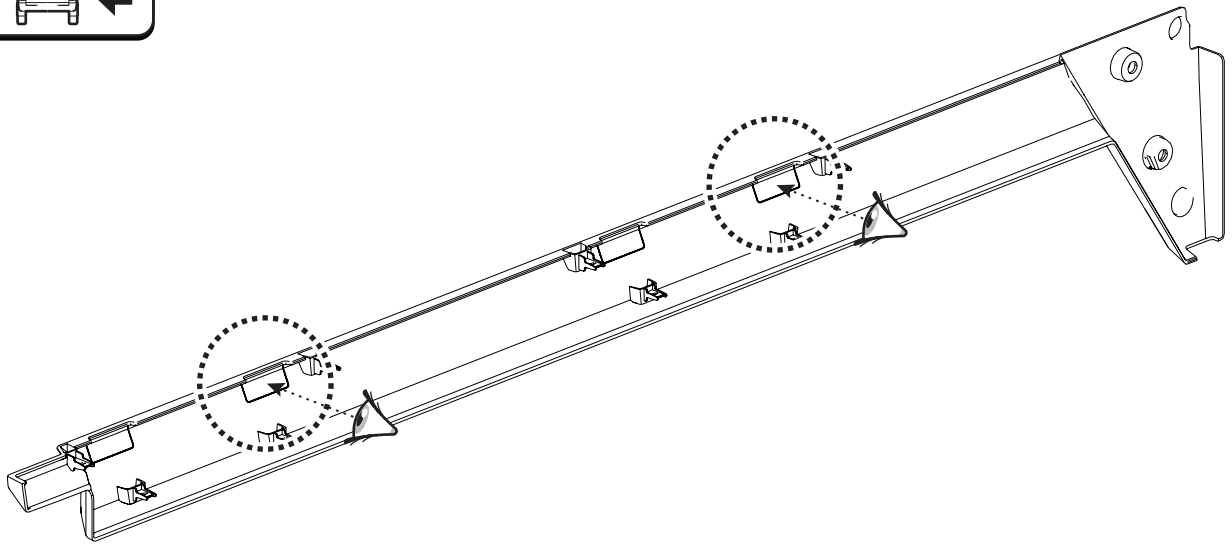
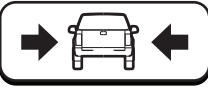




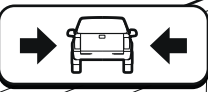






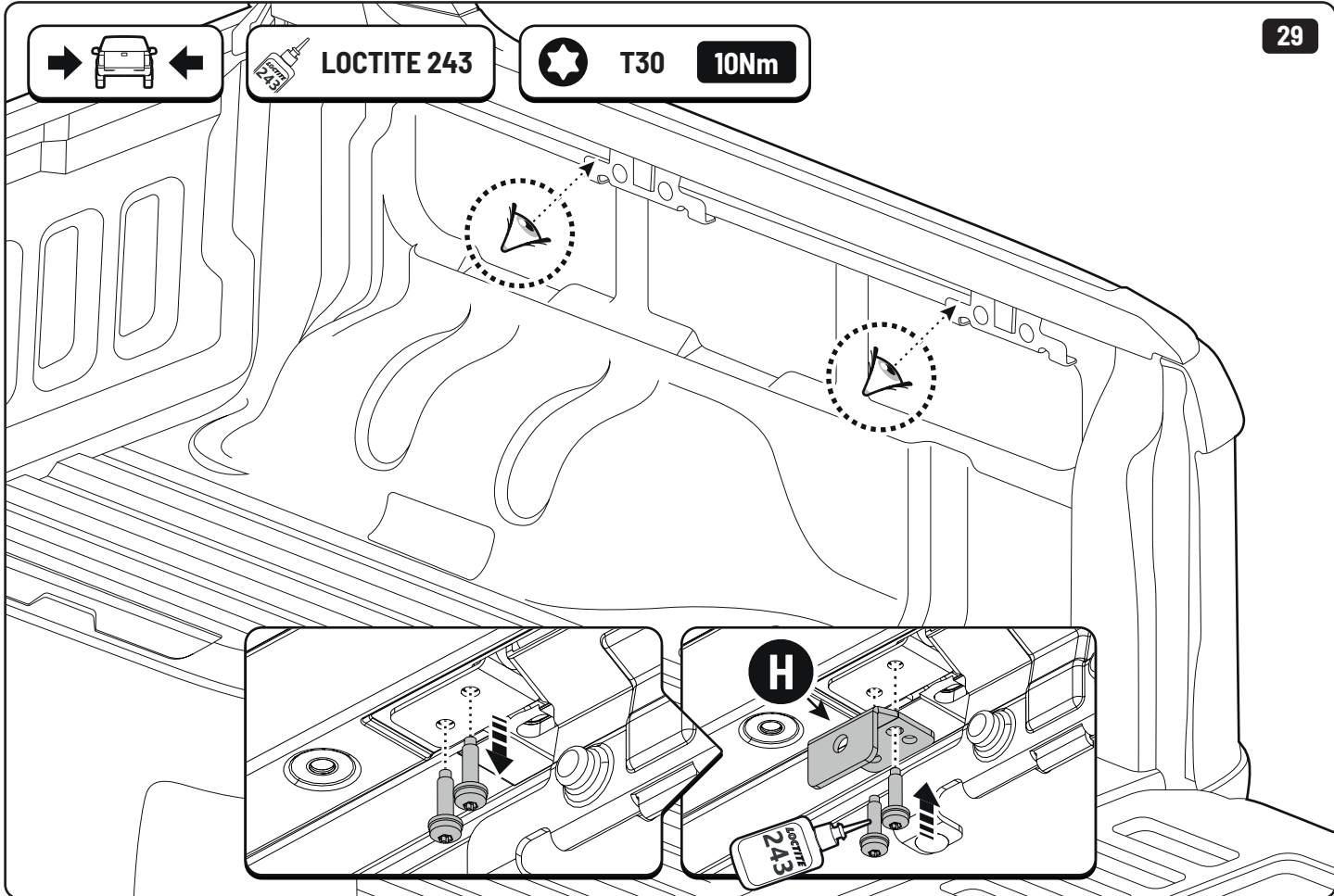


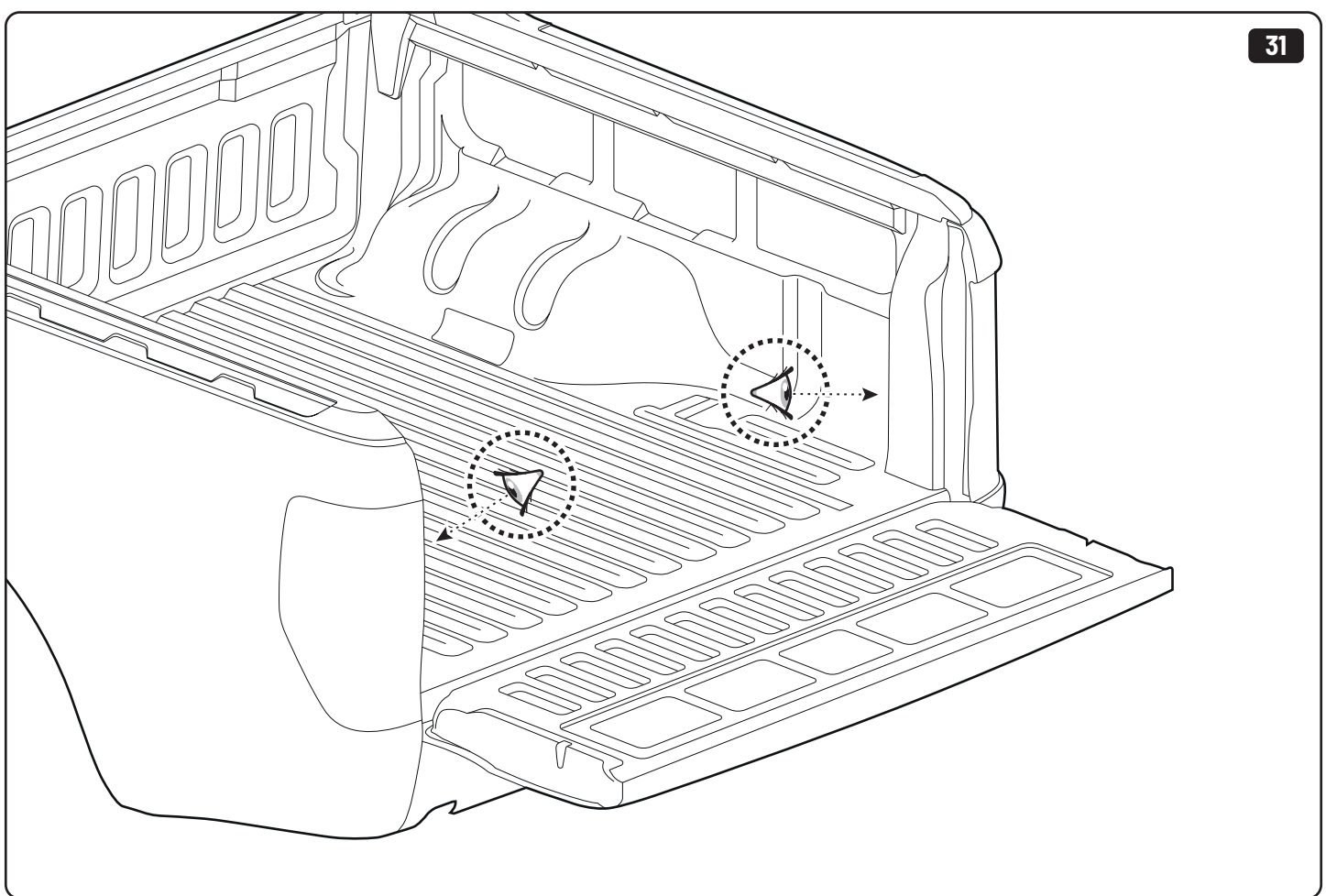
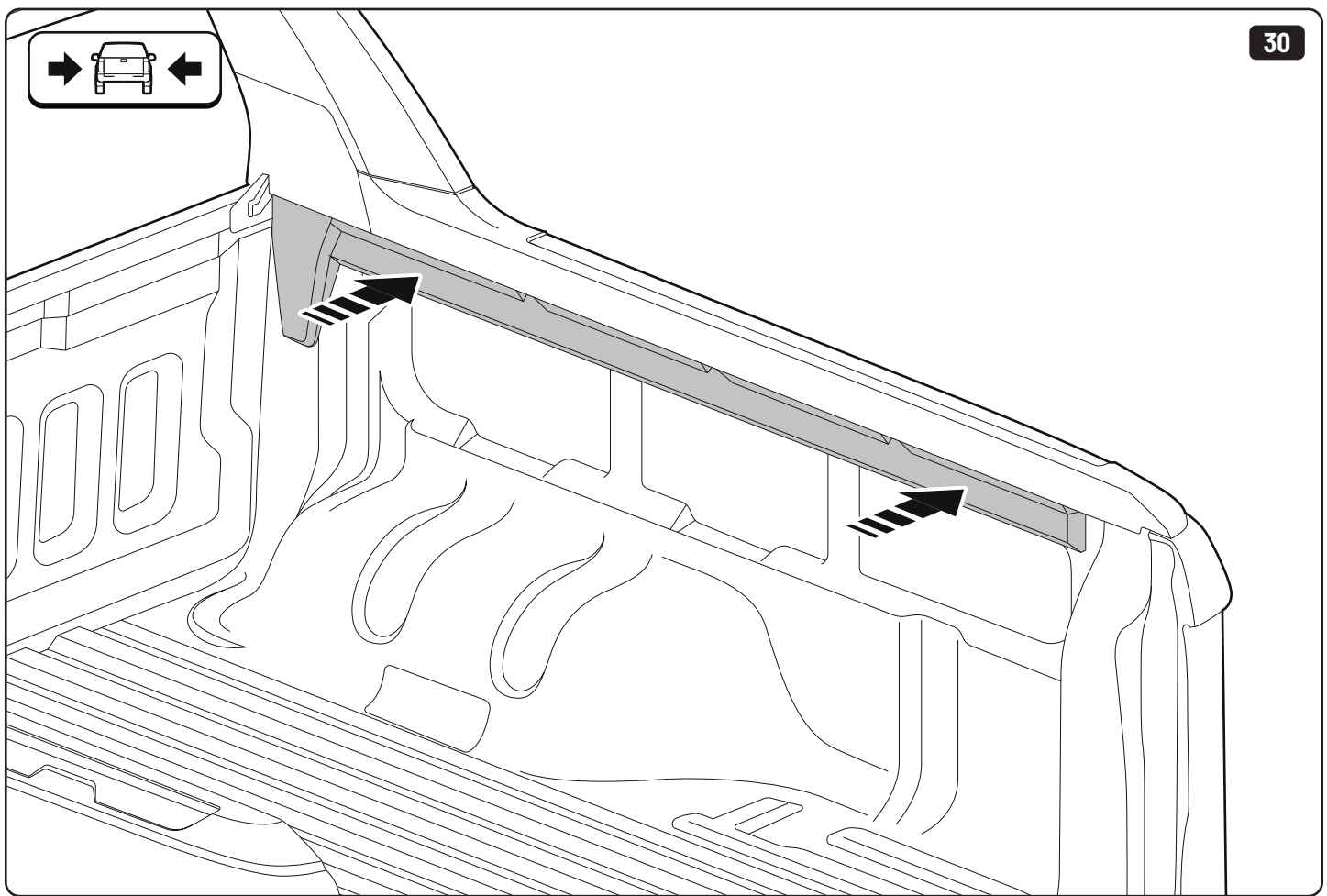
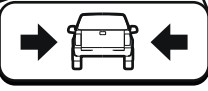
x4

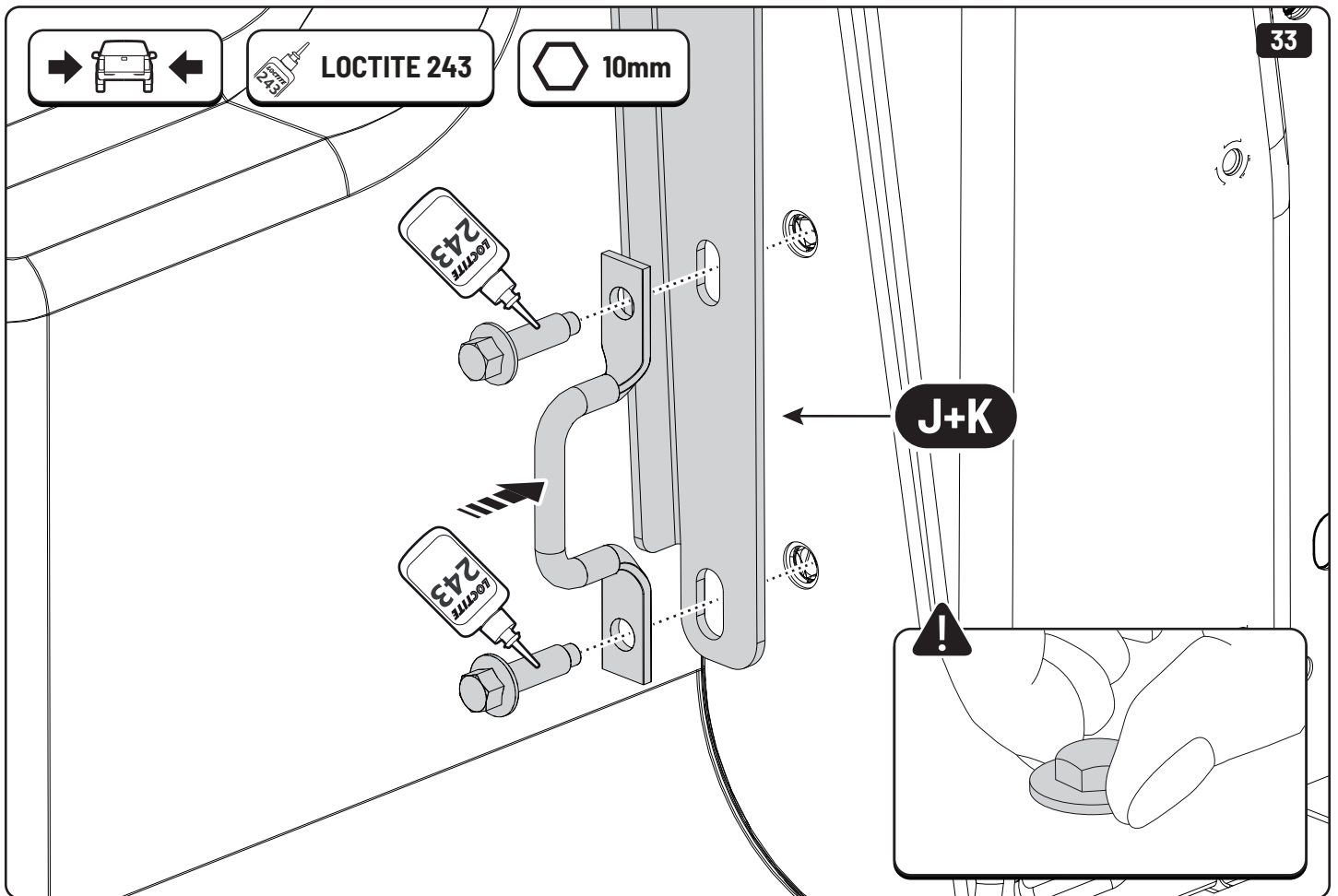
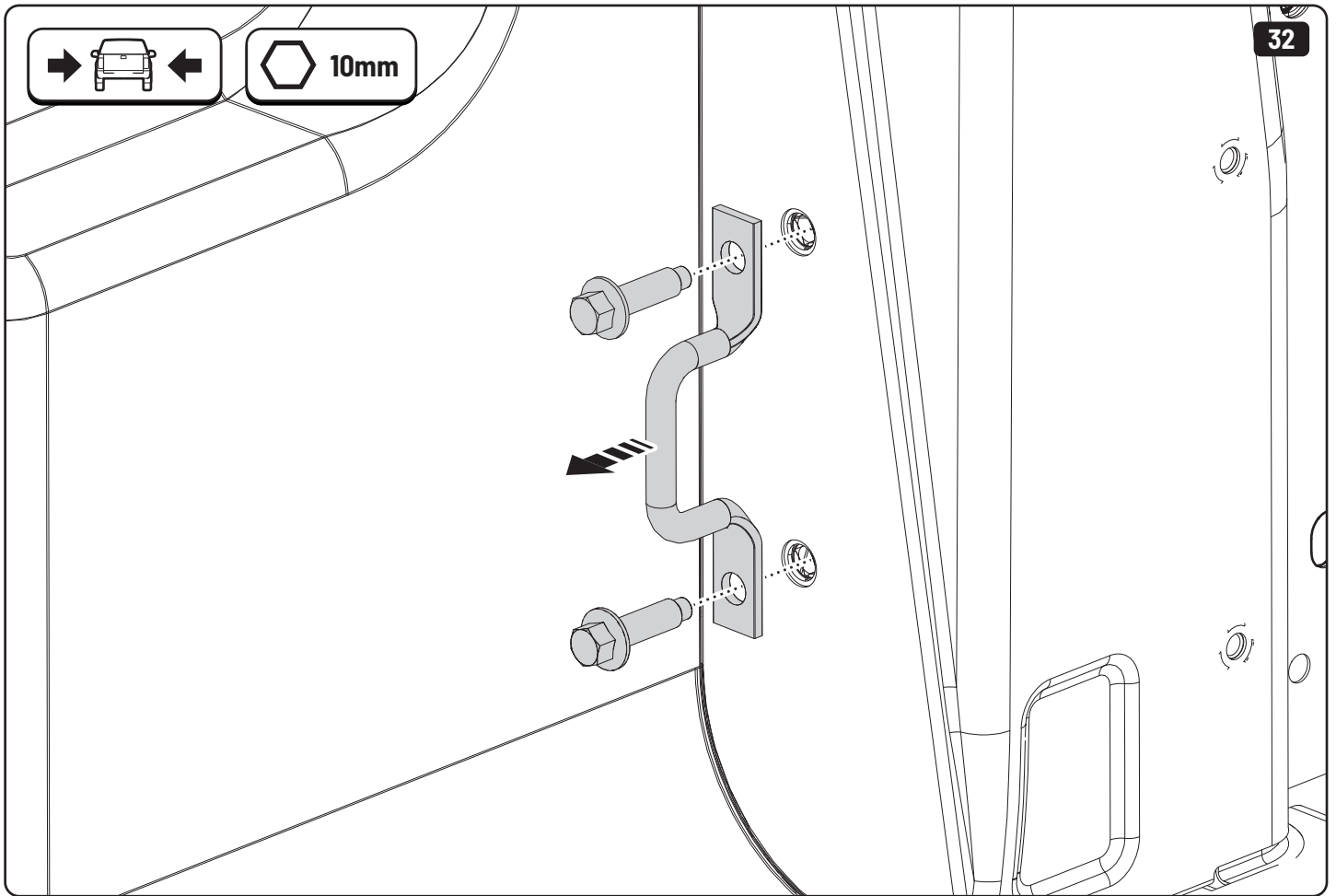


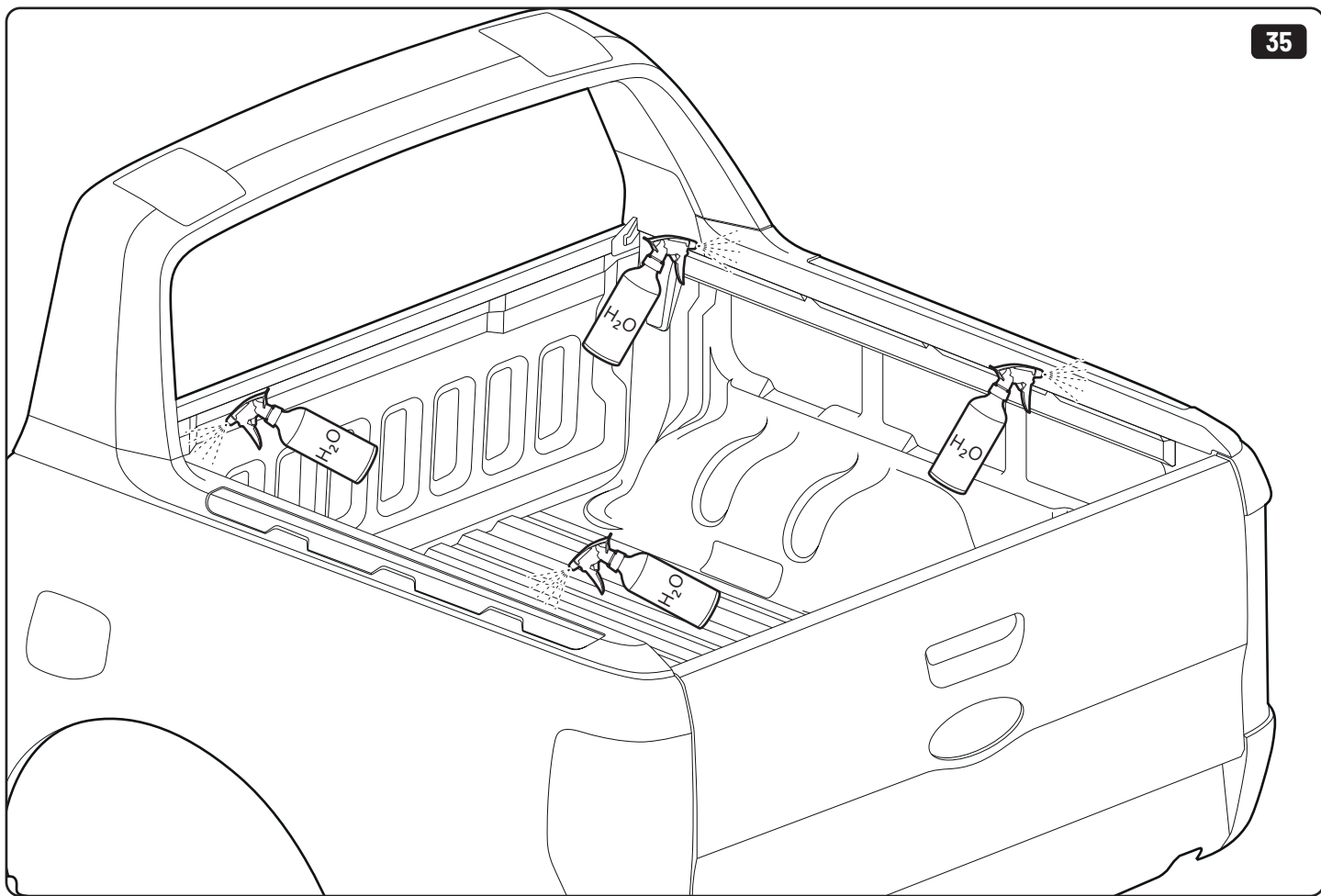
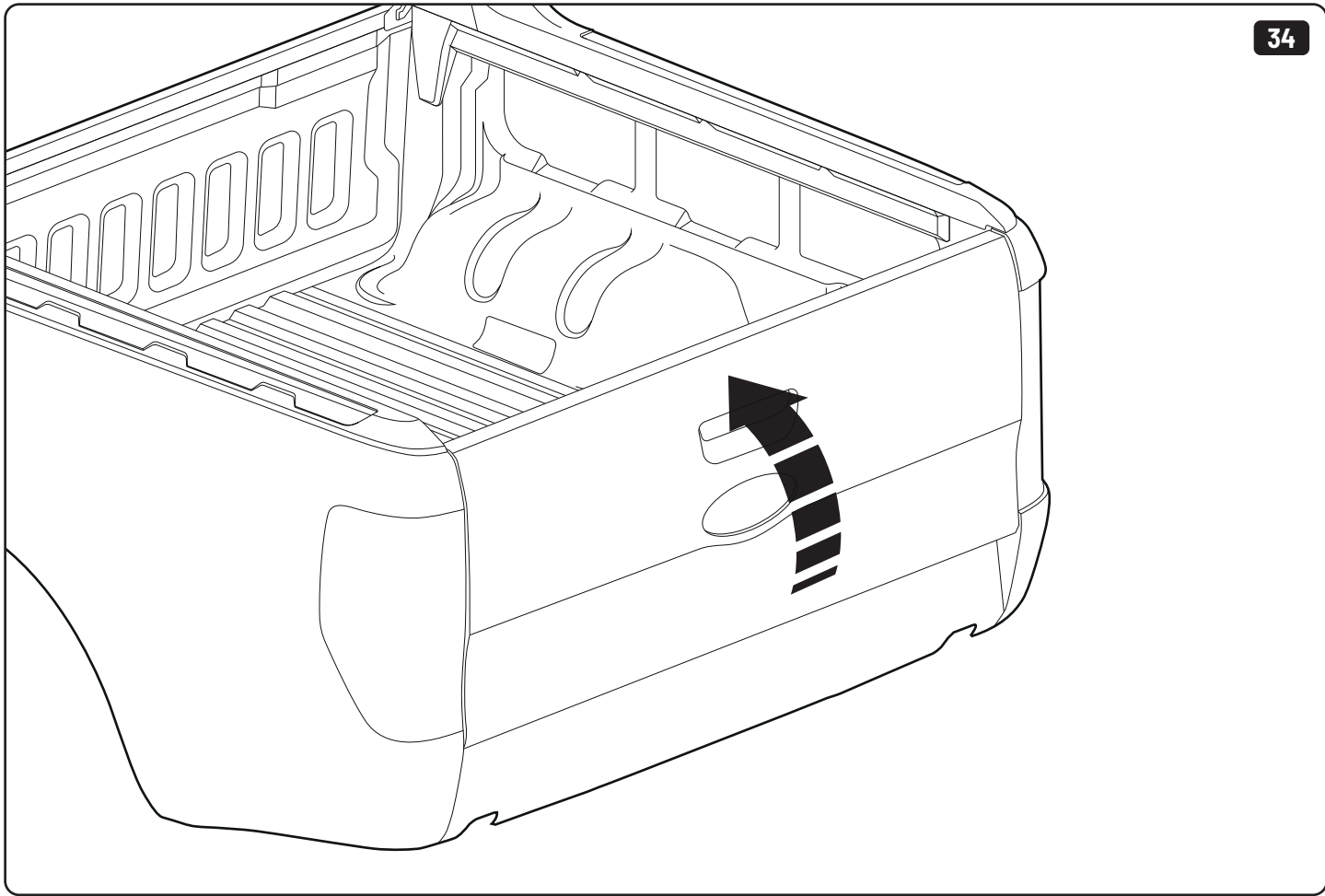
LOCTITE 243

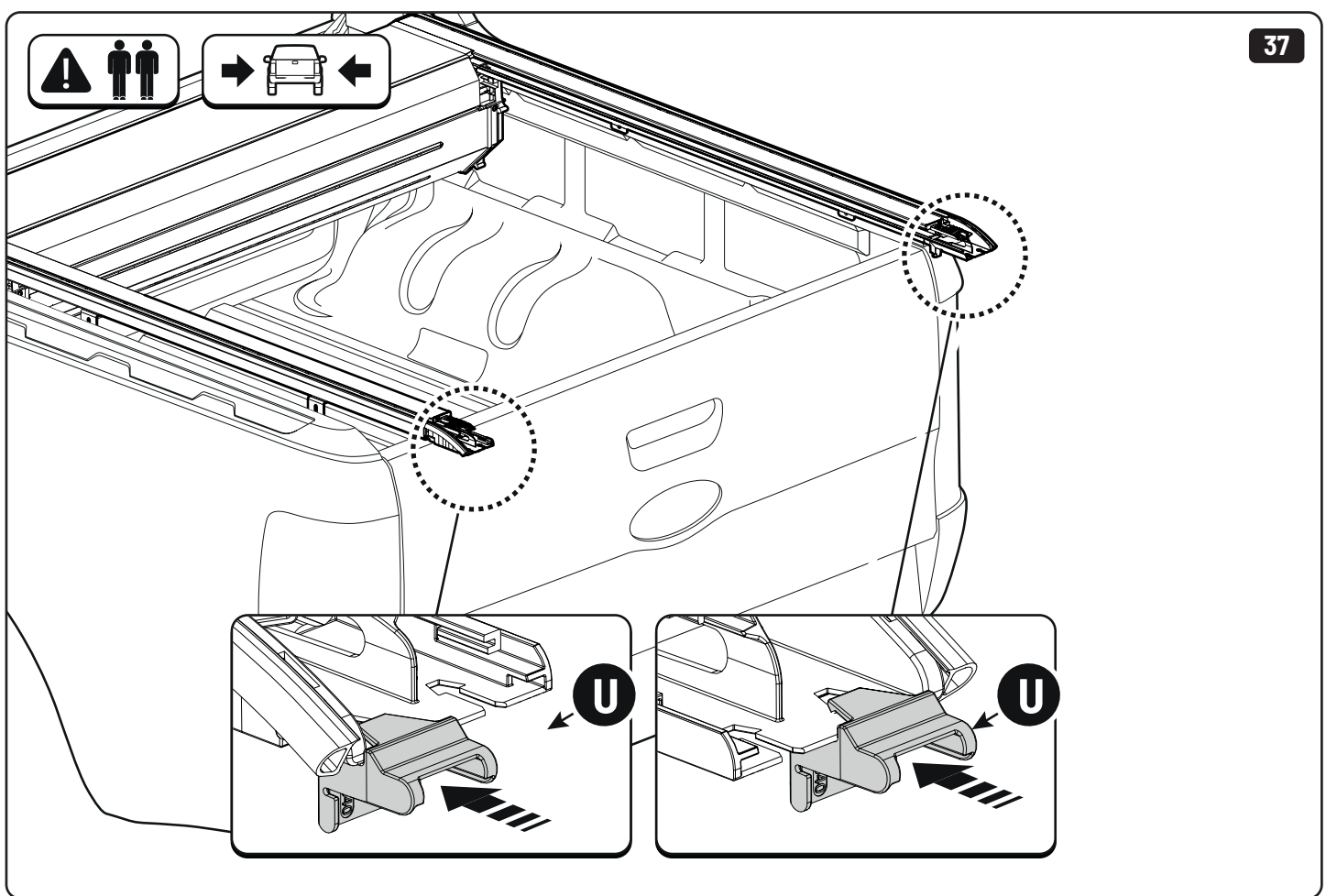
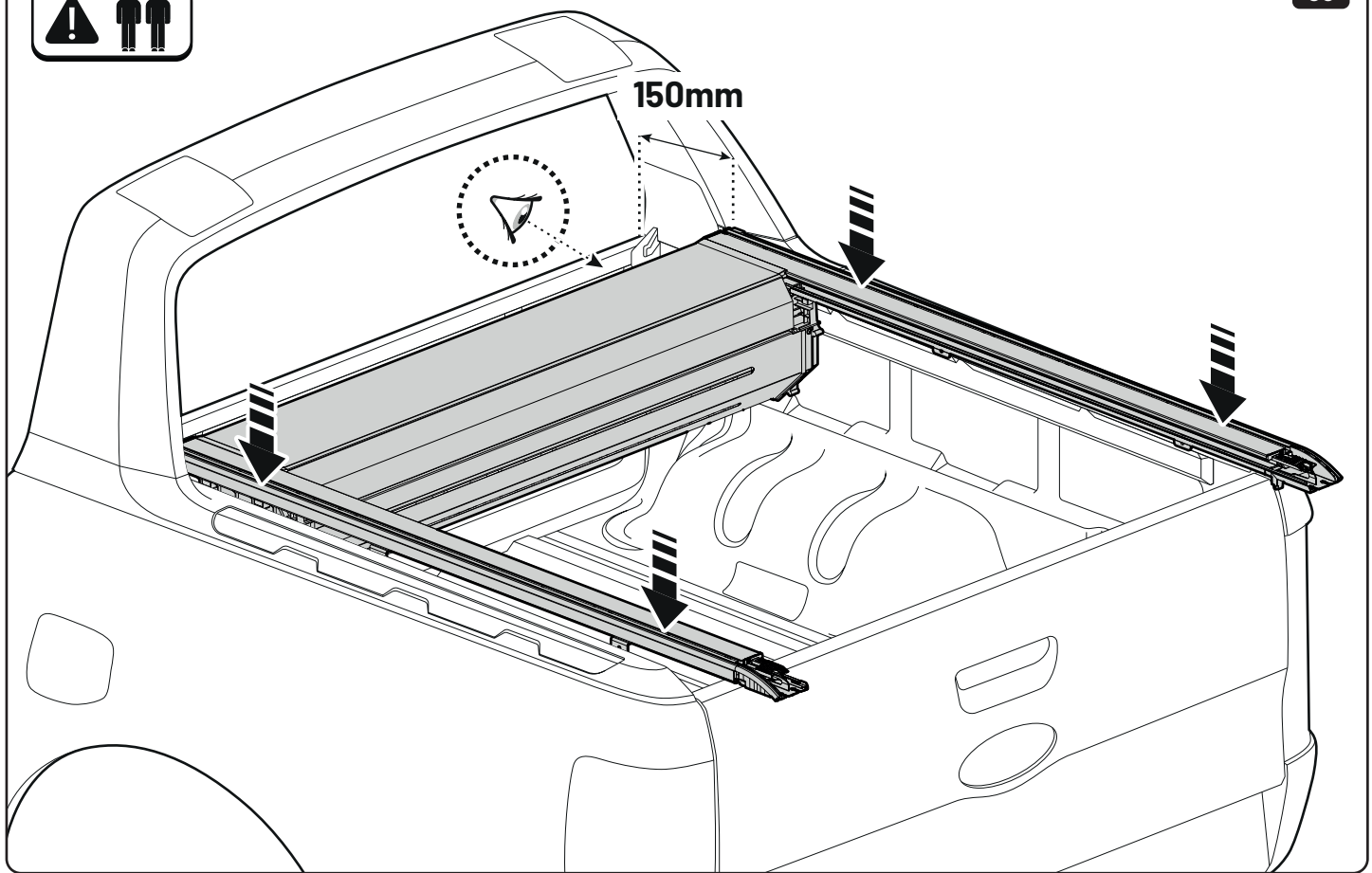
T30 10Nm

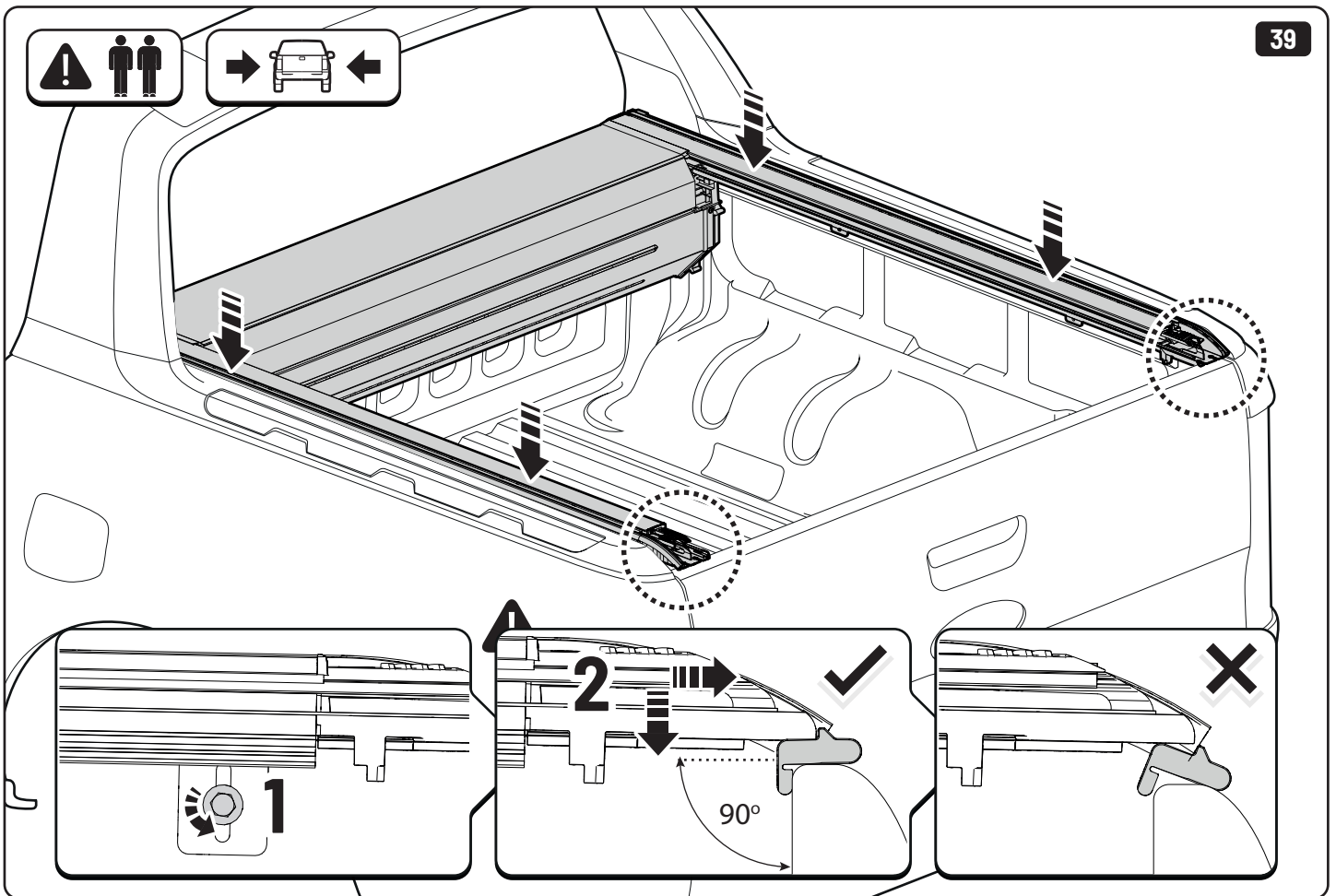
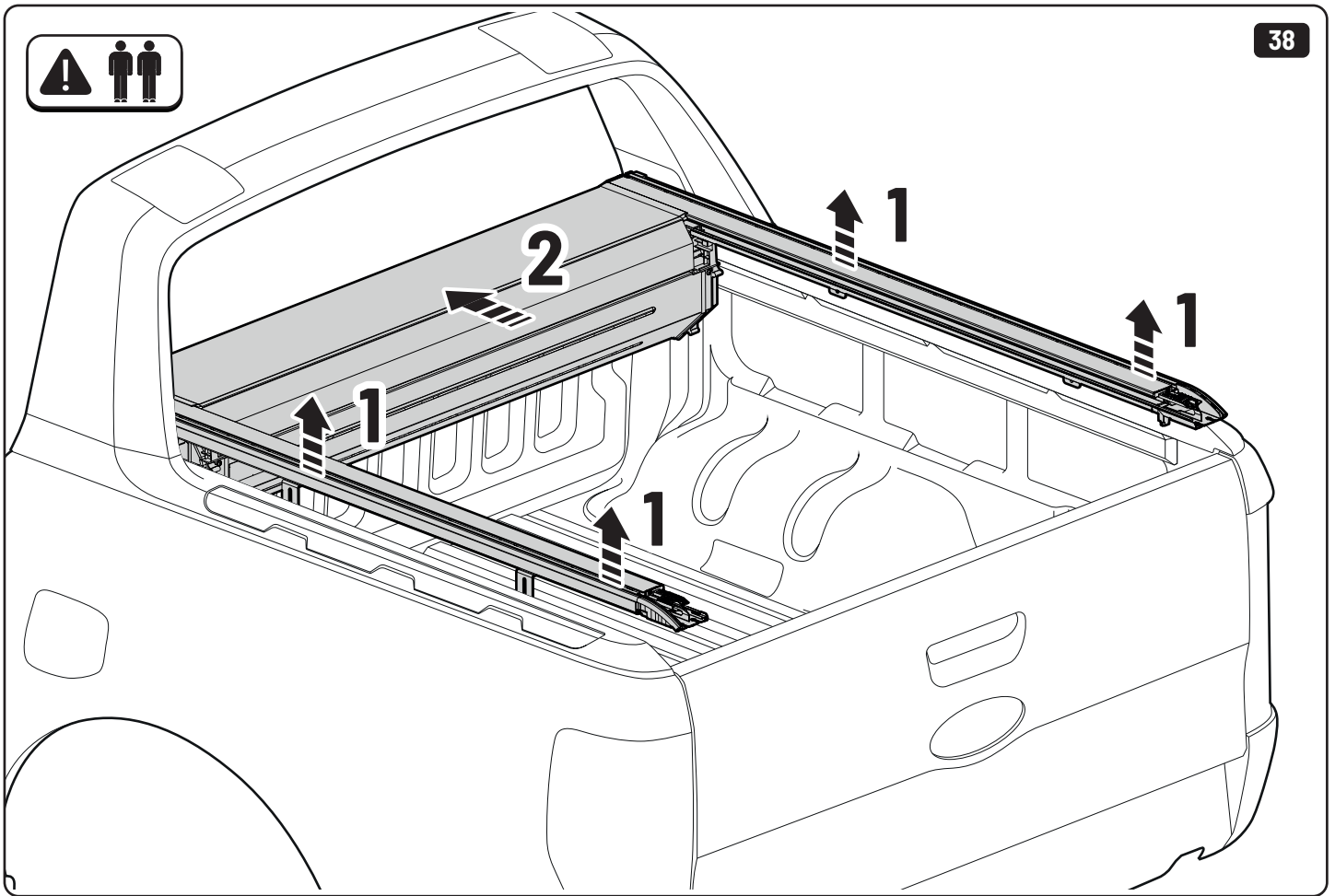


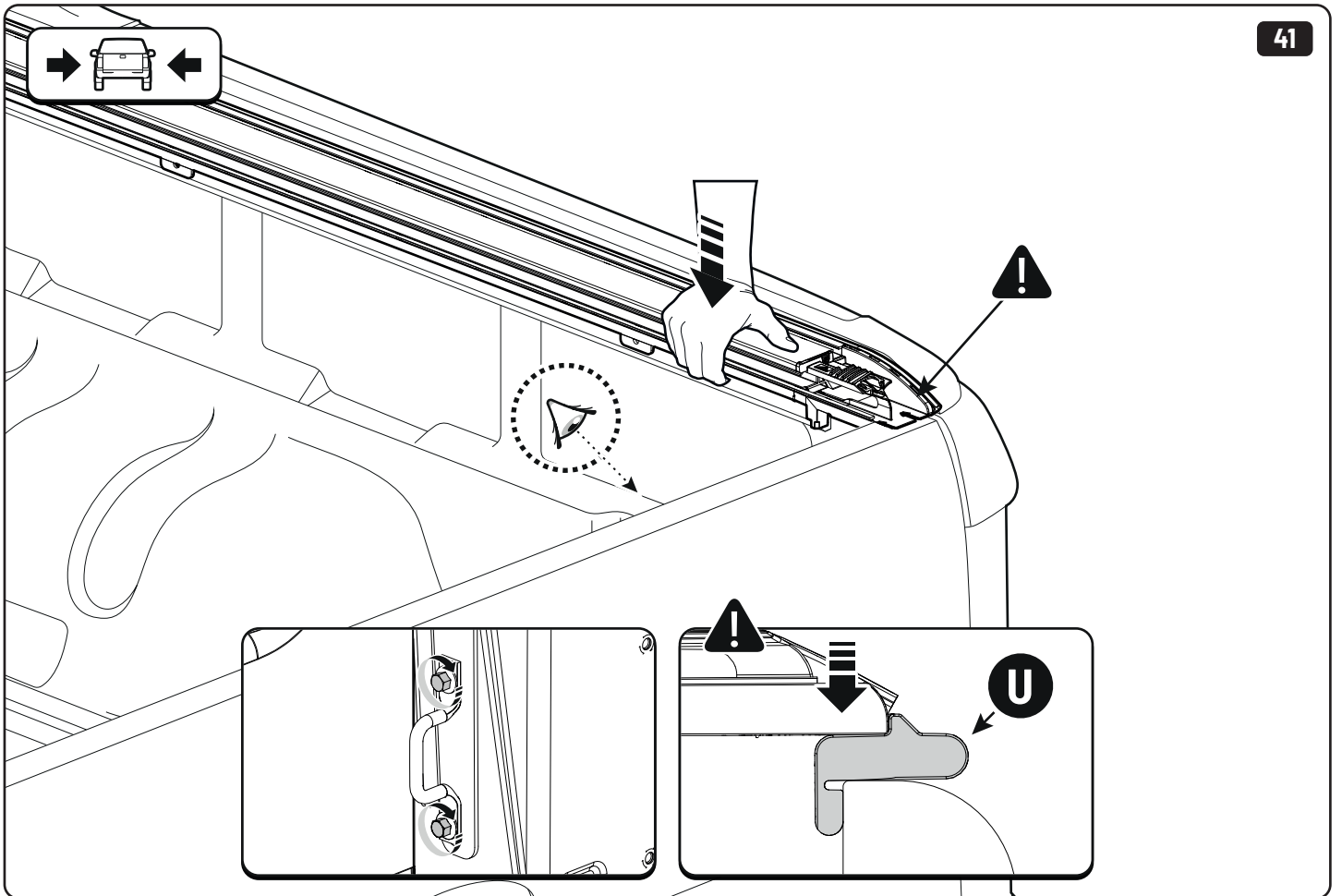
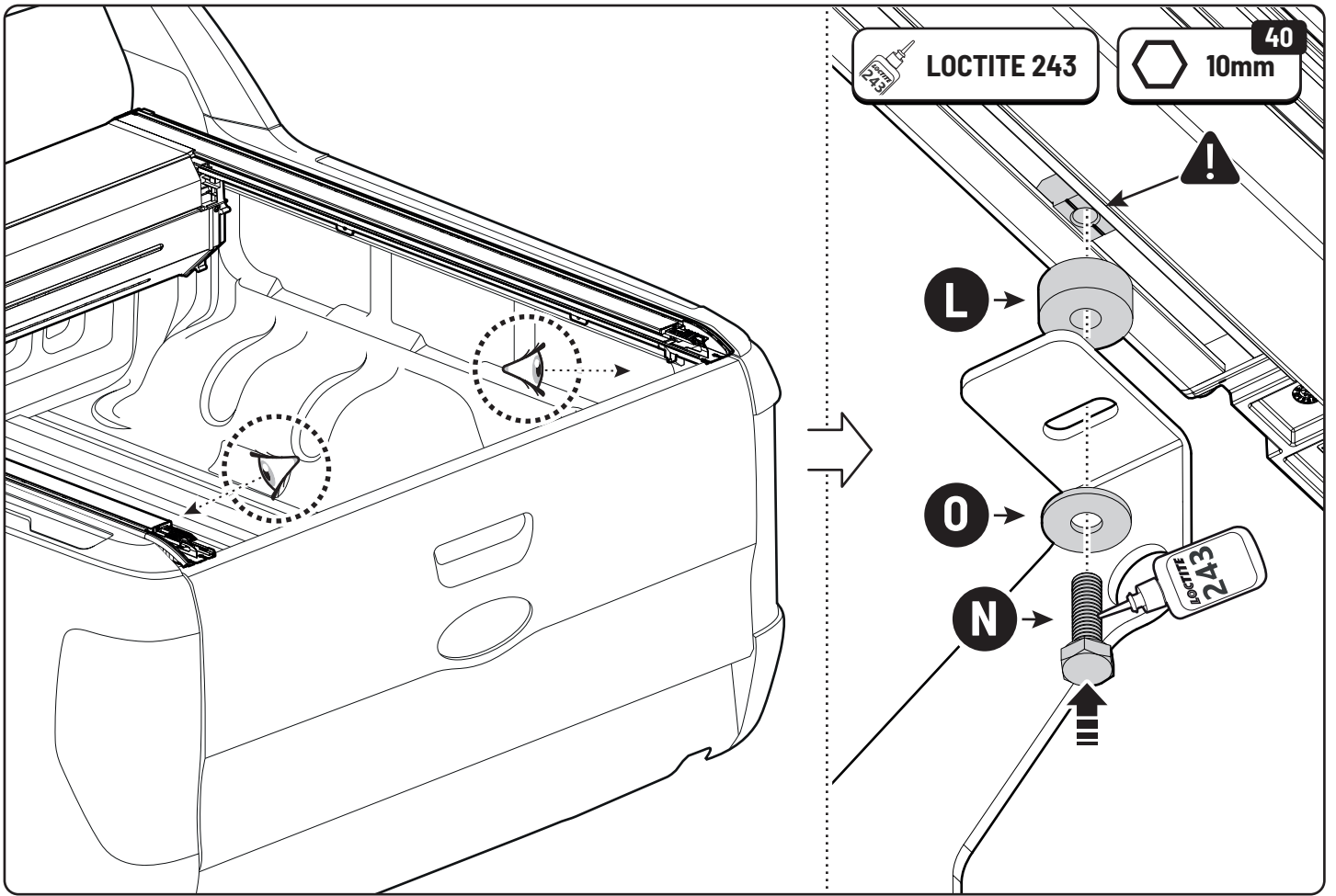








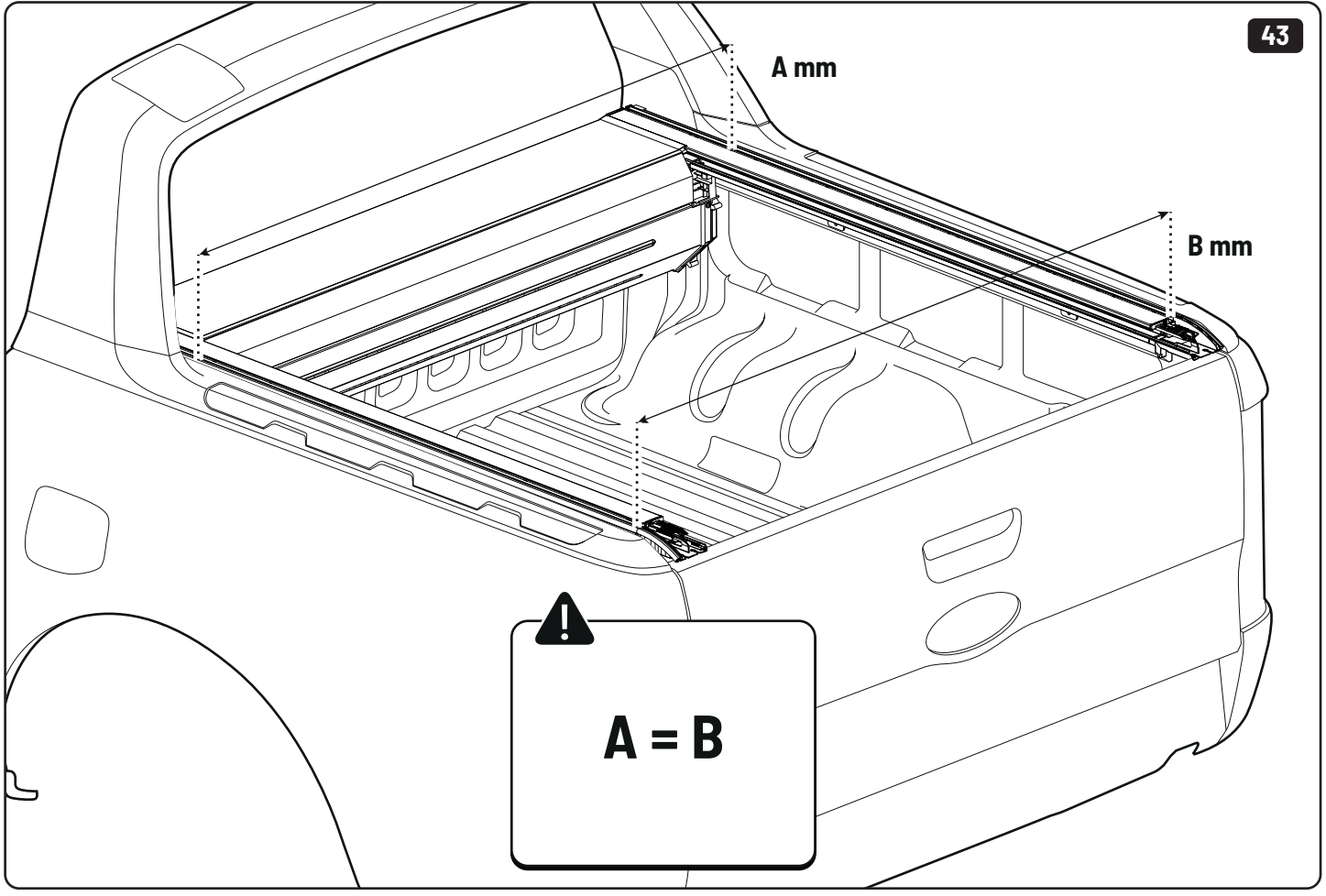
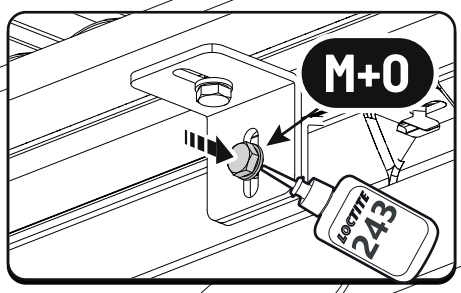
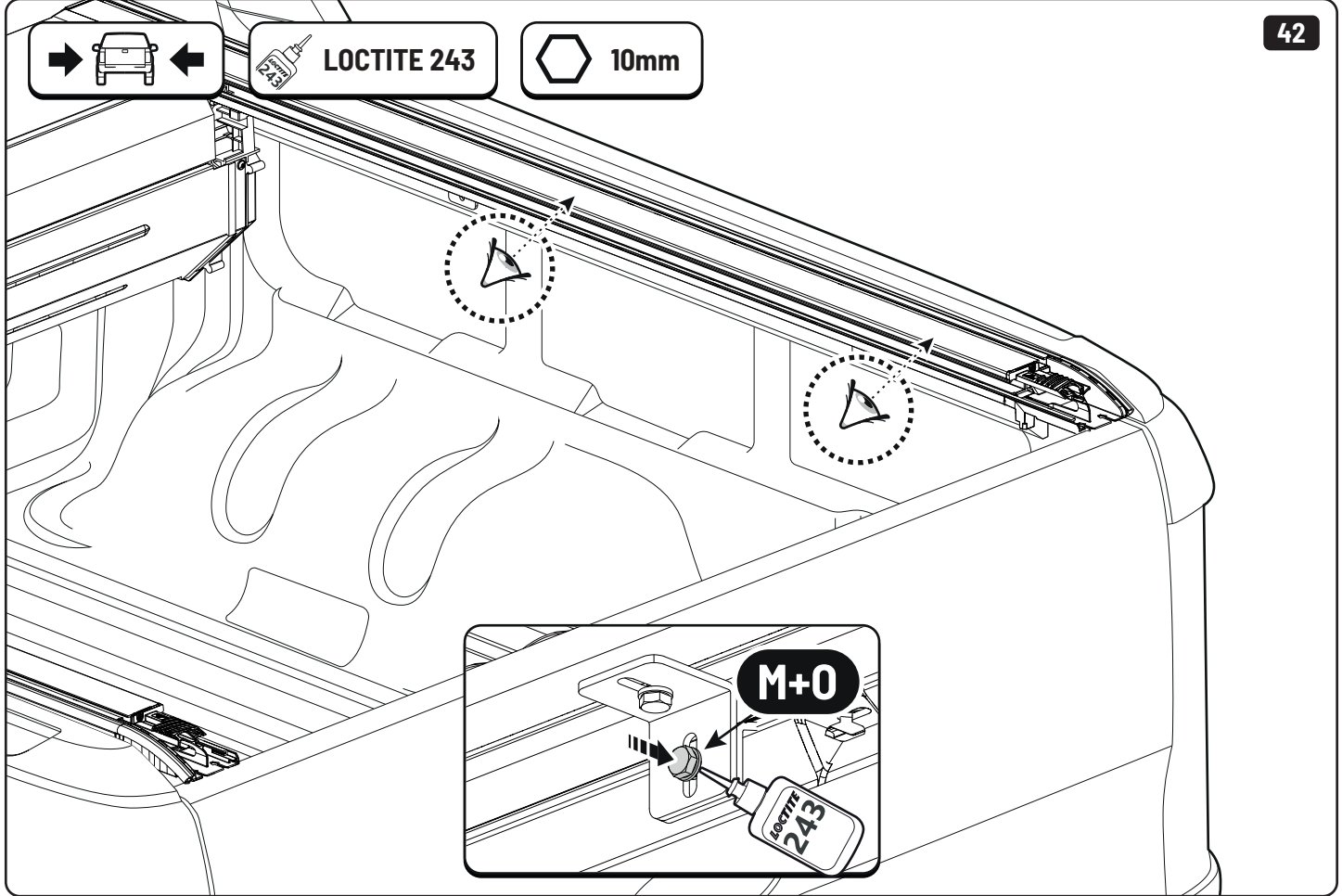






LOCTITE 243

10mm

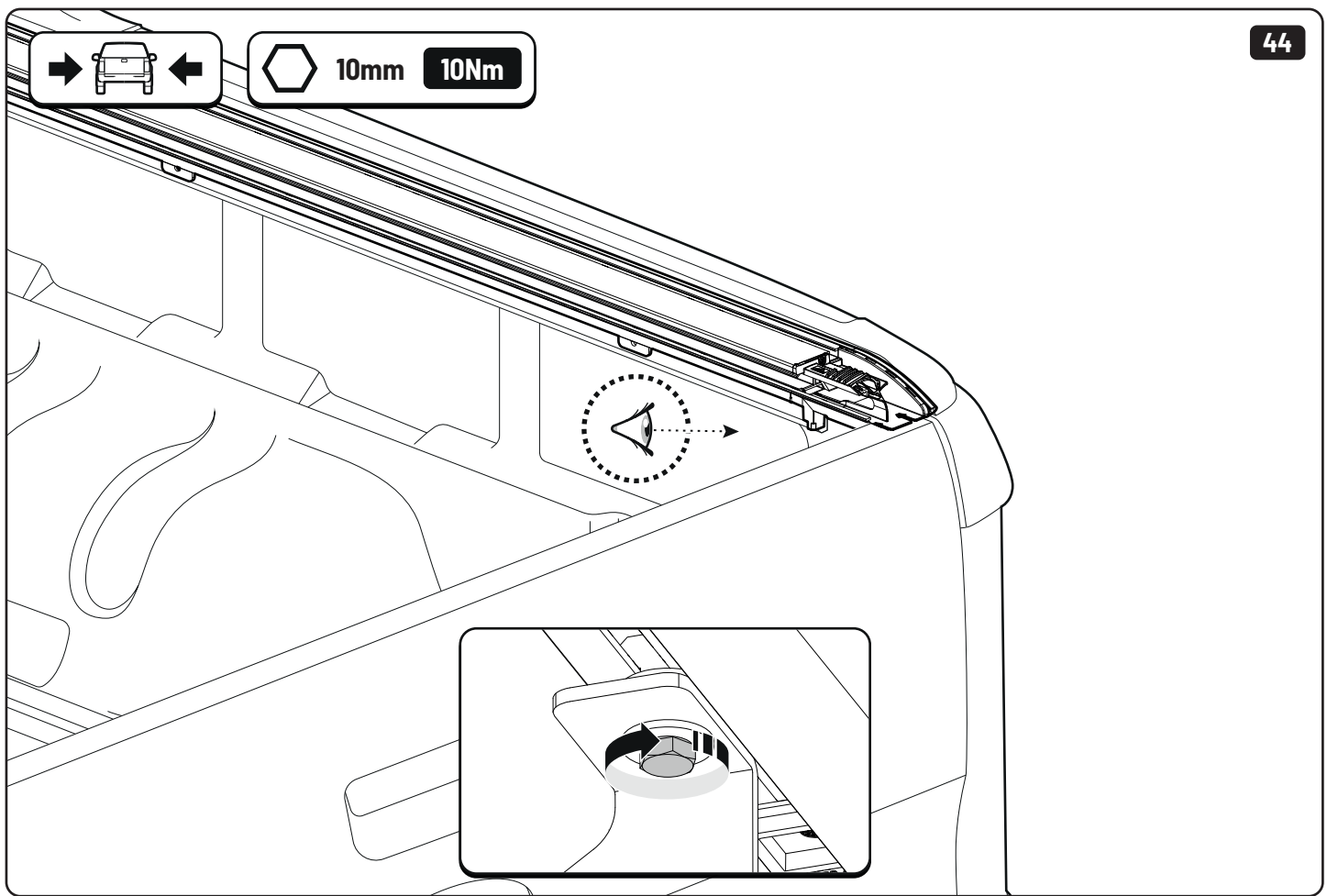


A = B



10mm

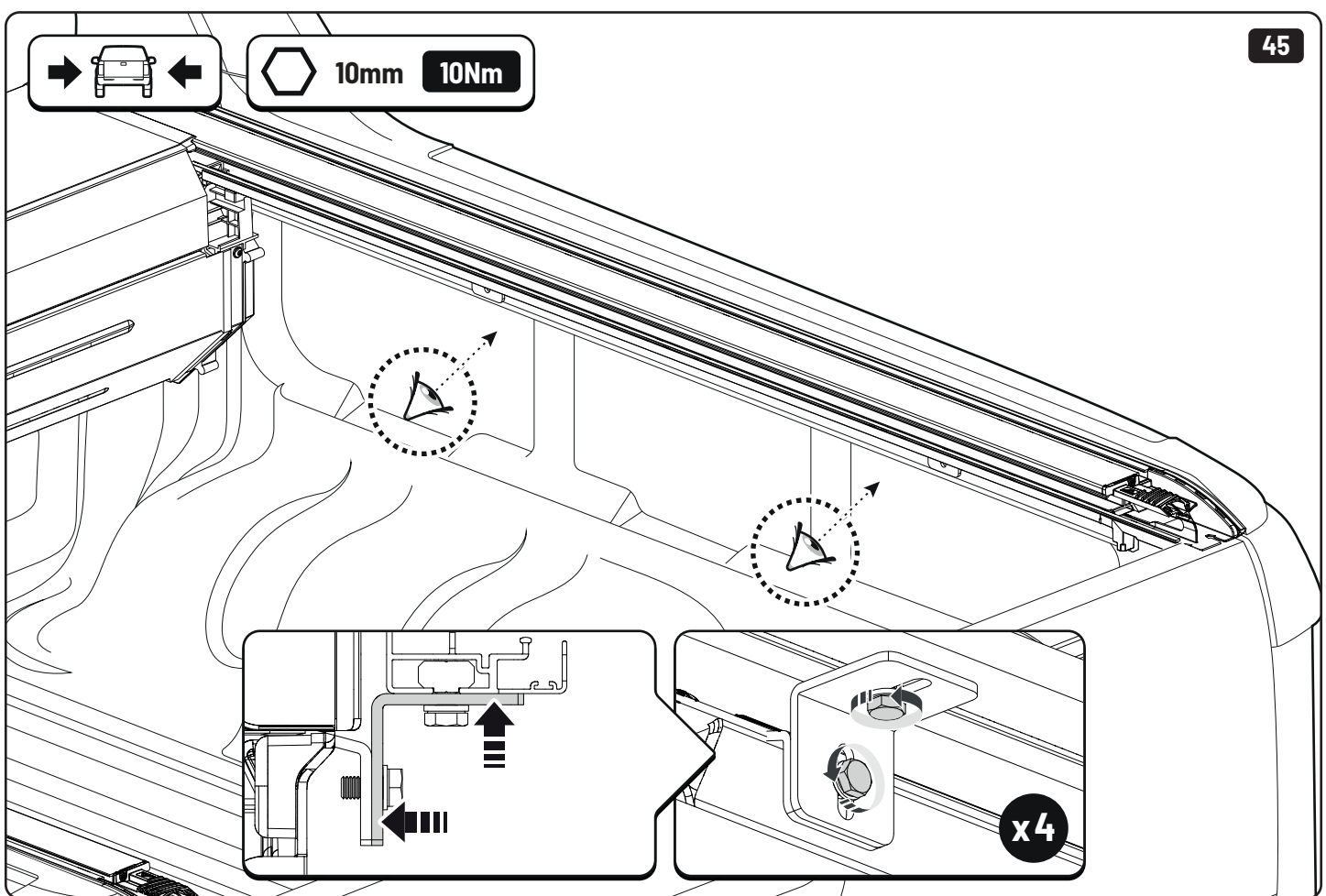
10Nm

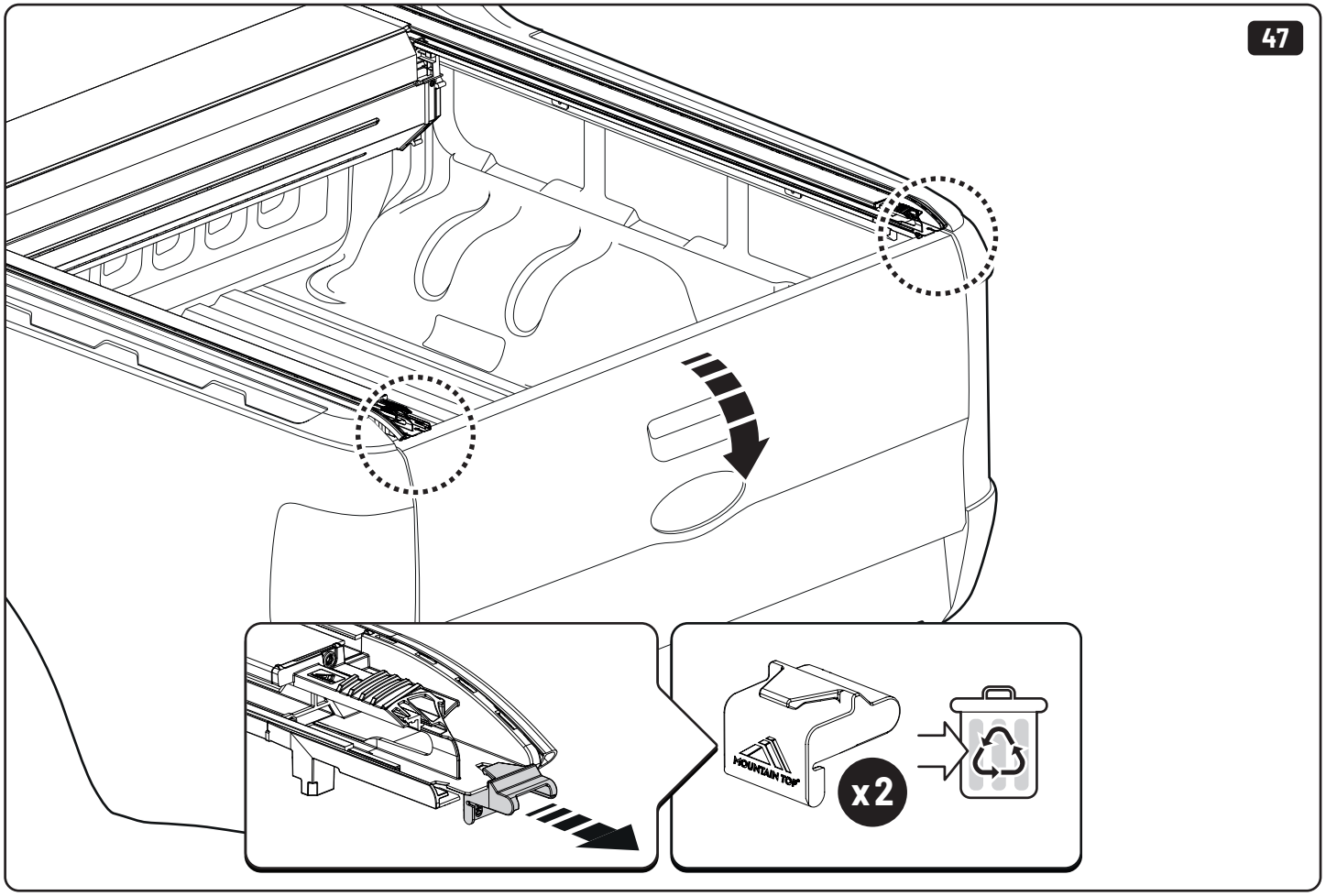
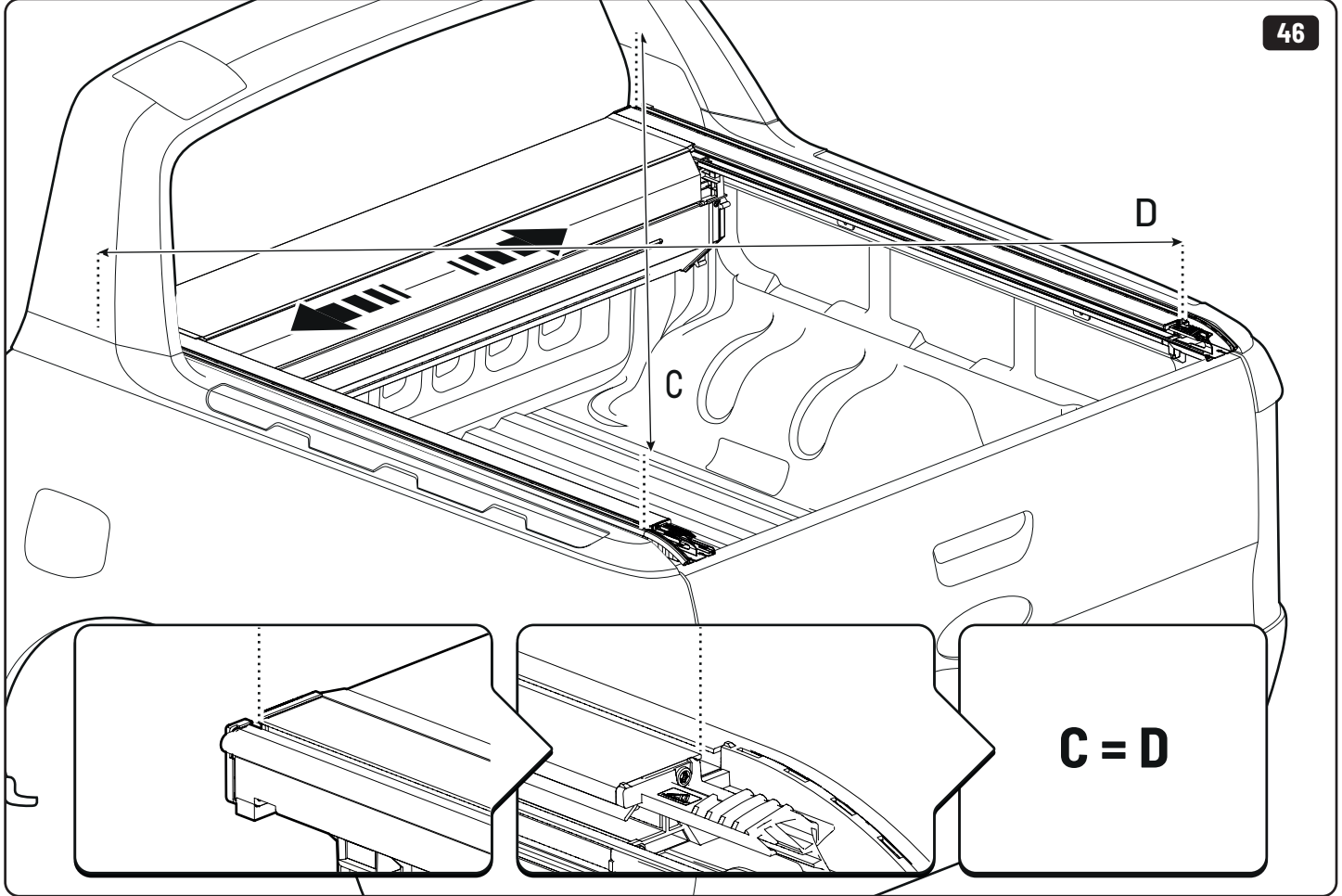


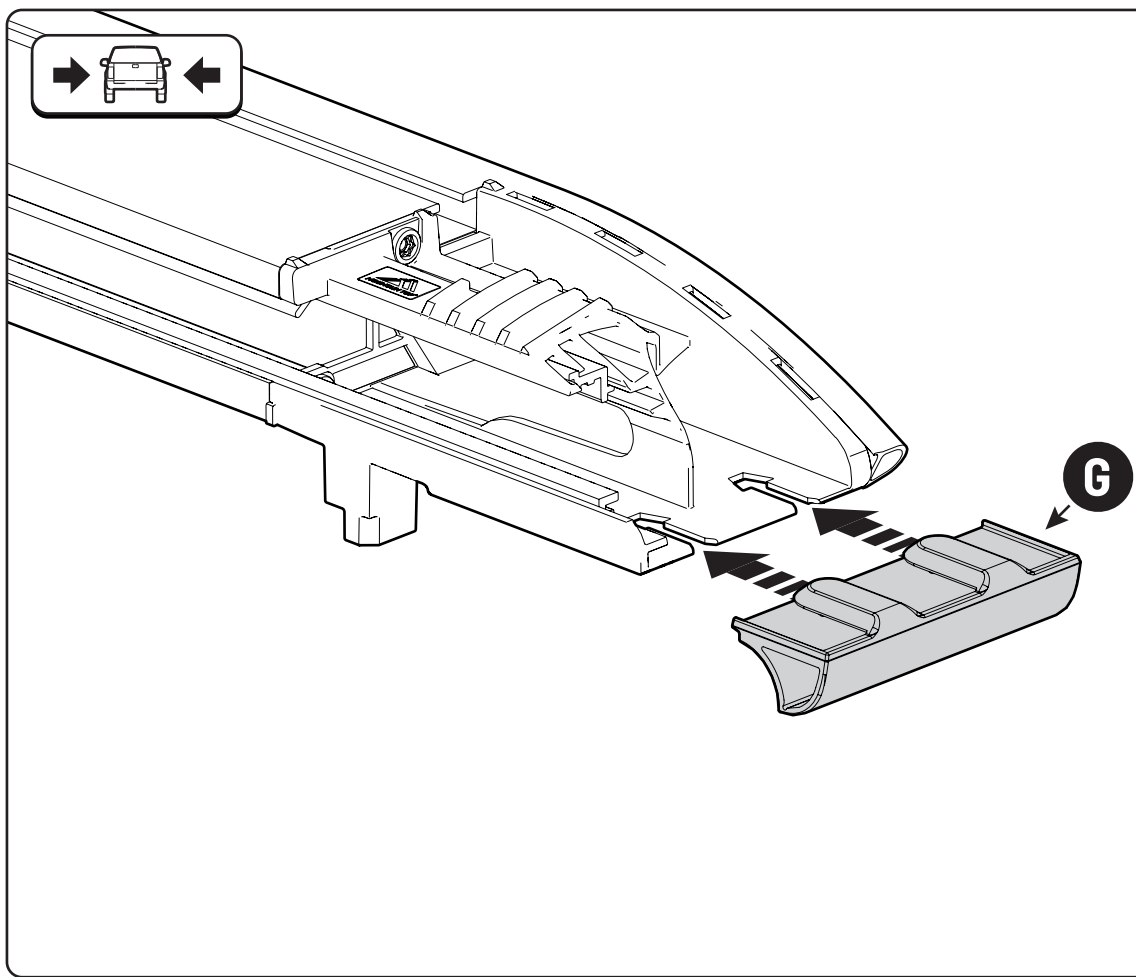
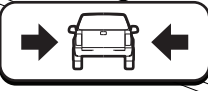


10mm

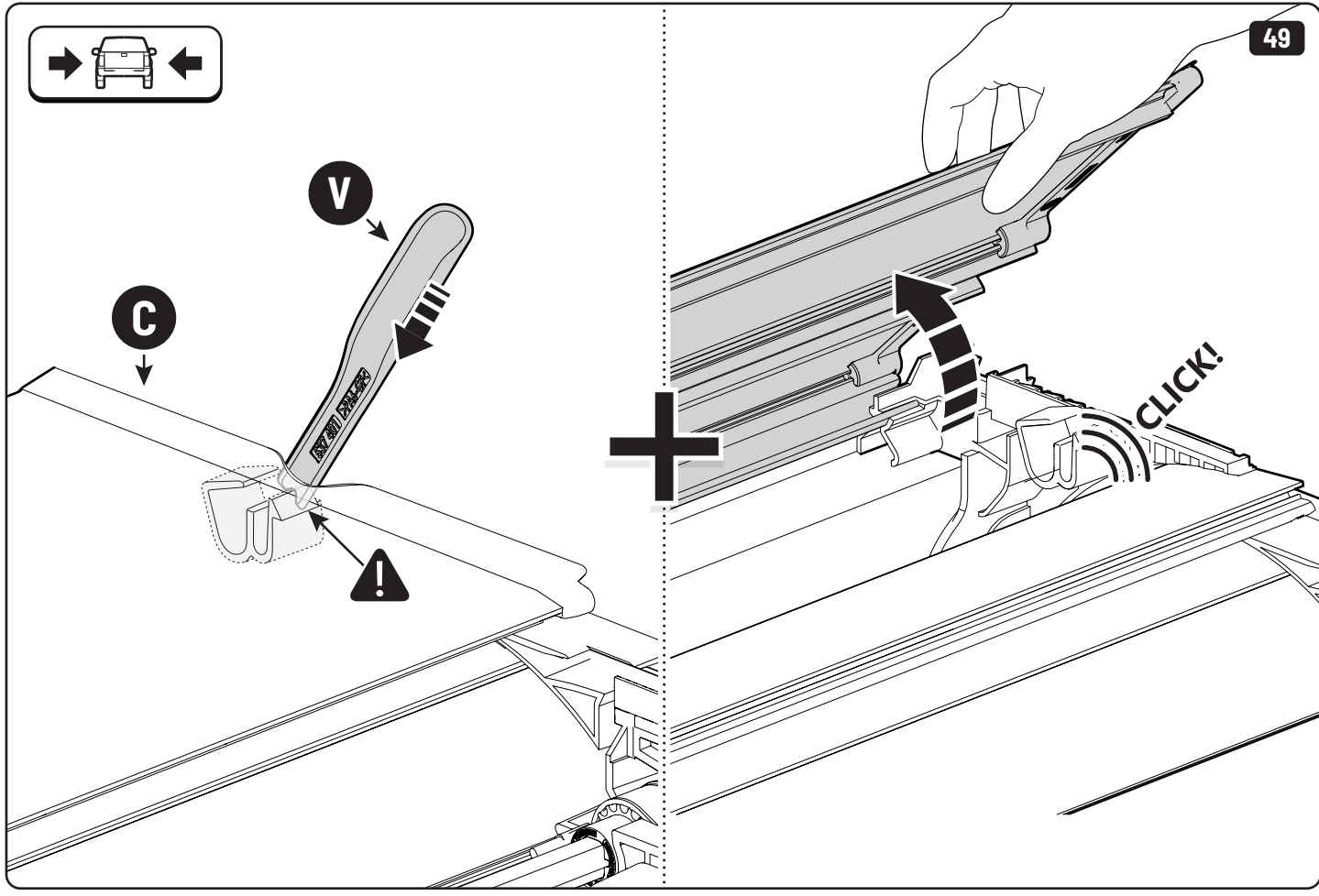
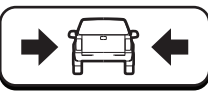
10Nm

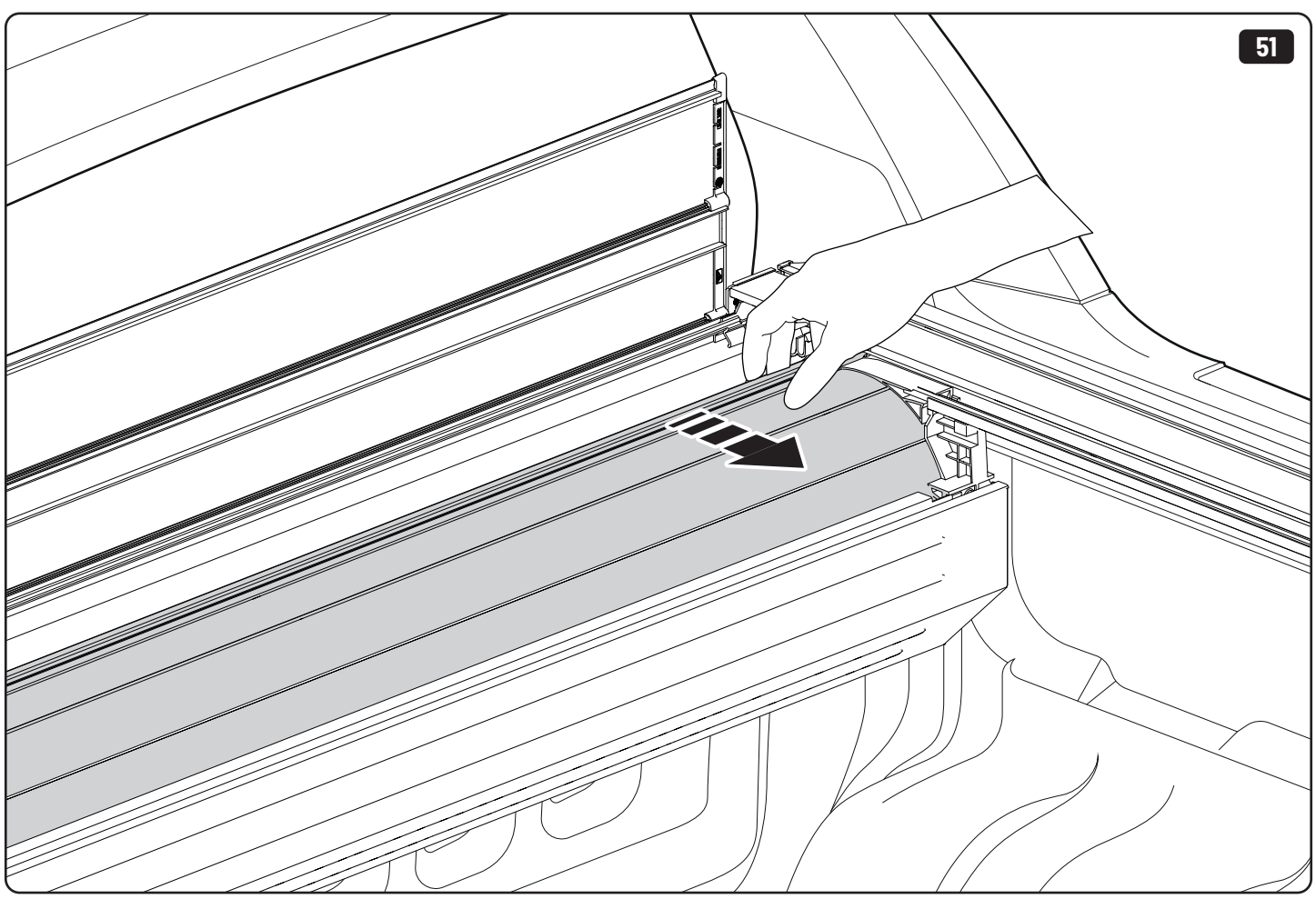
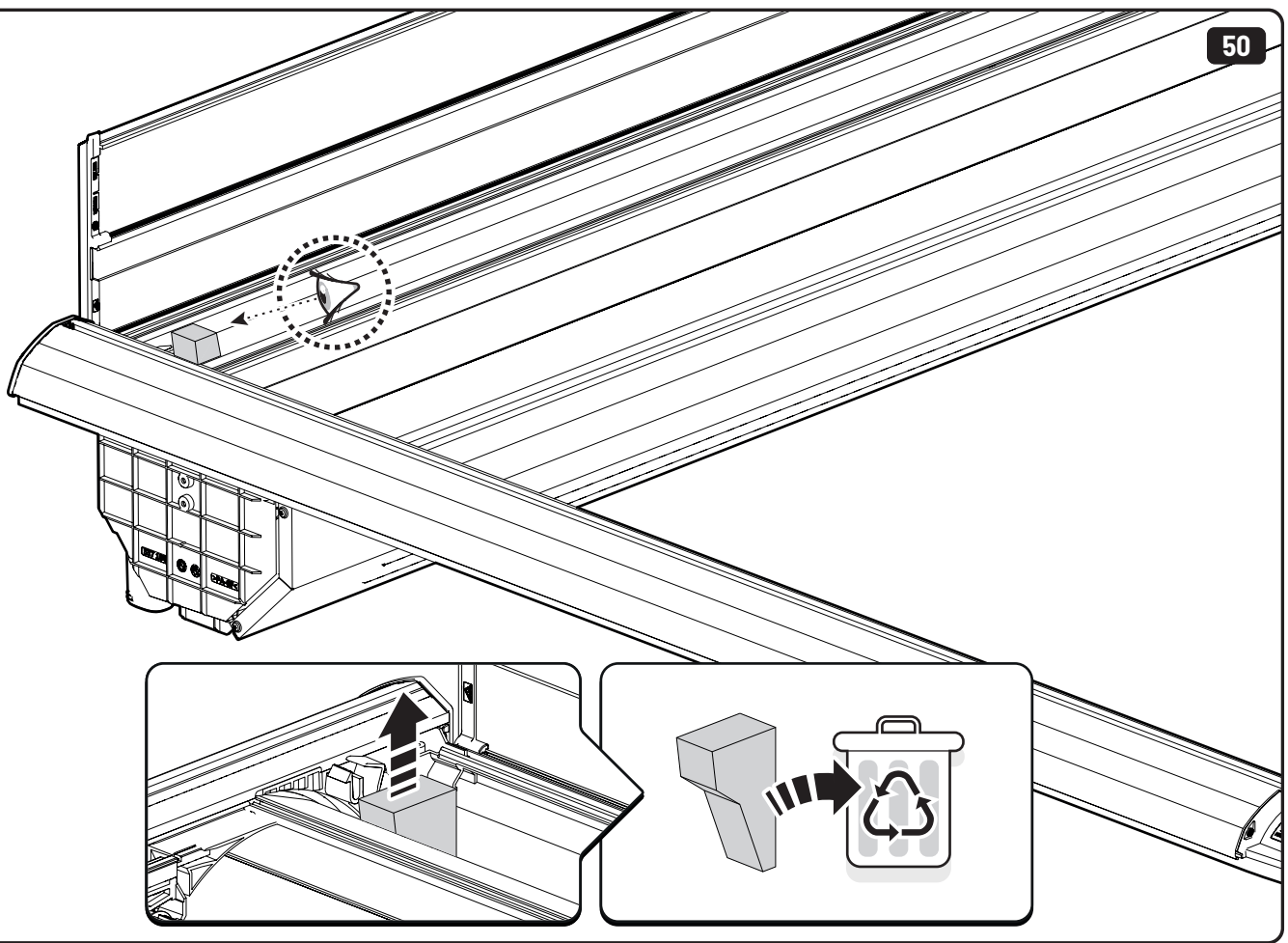


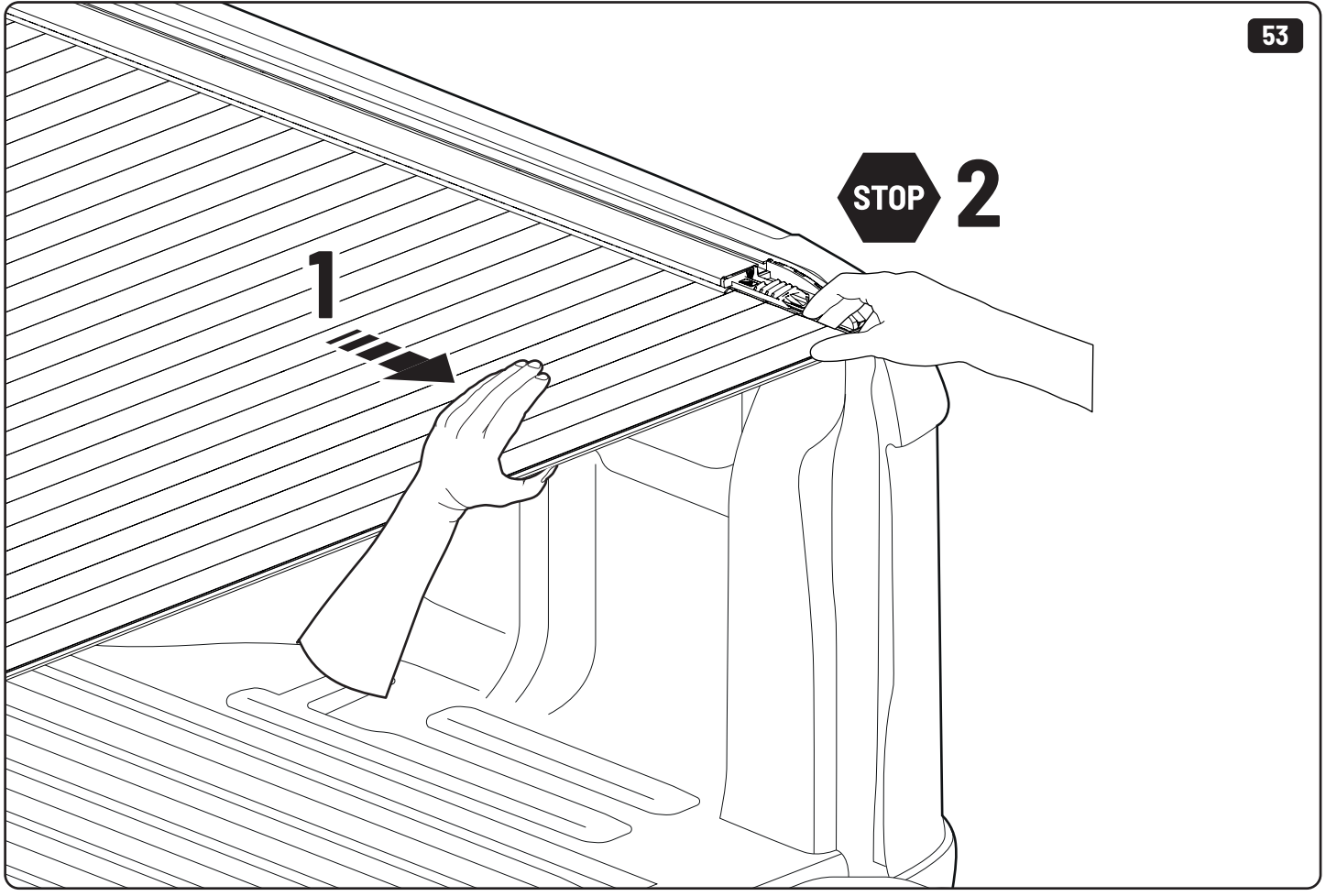
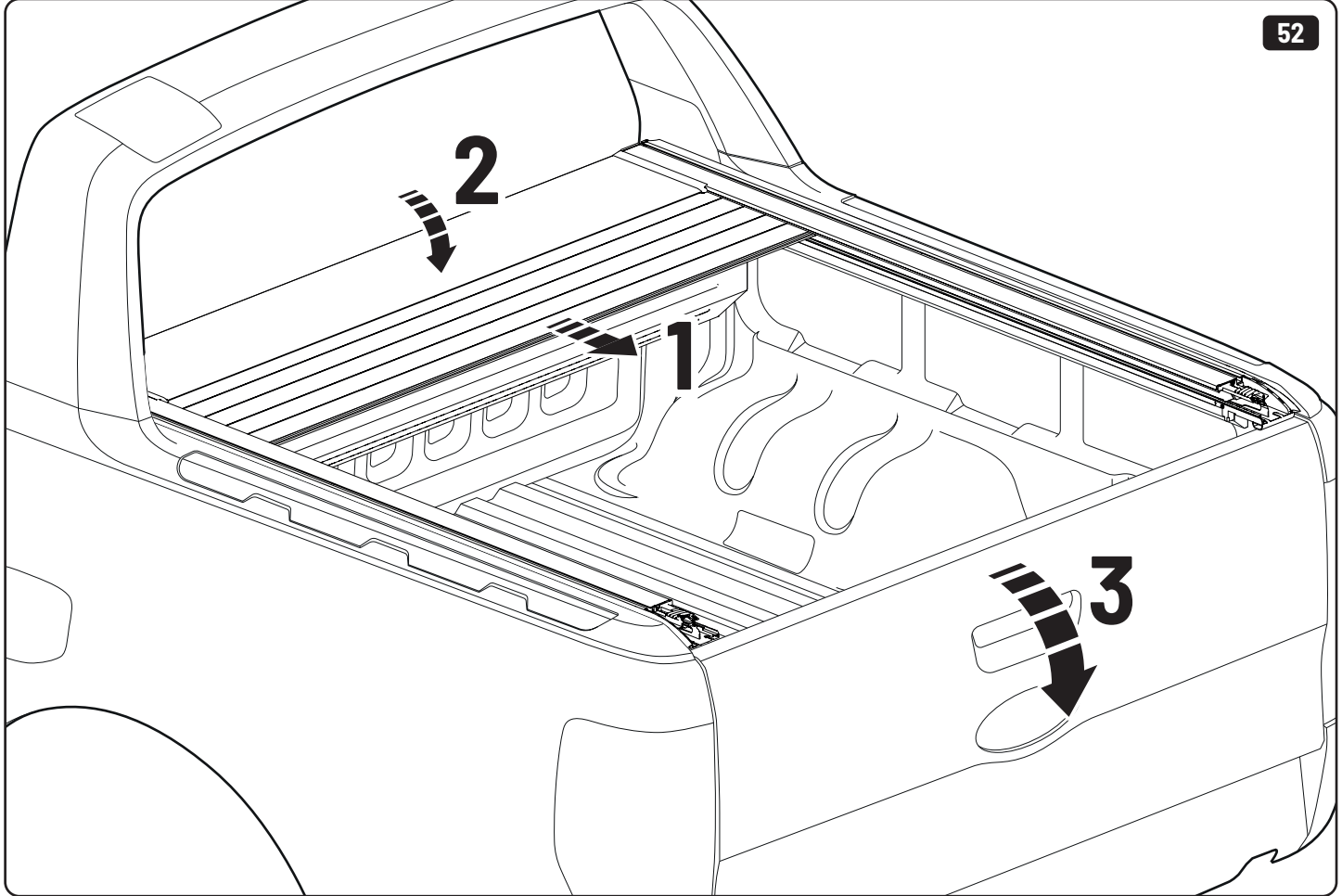


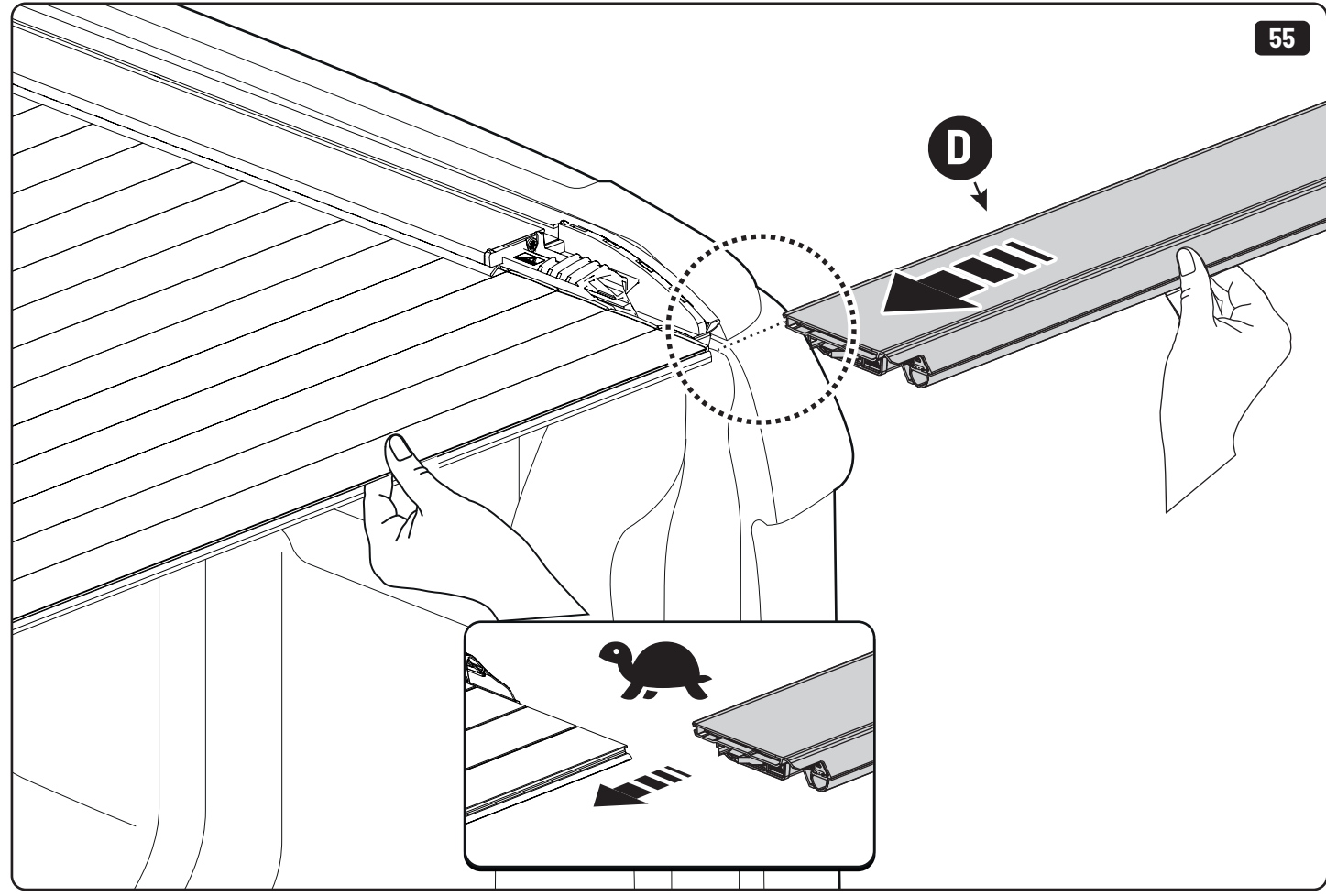
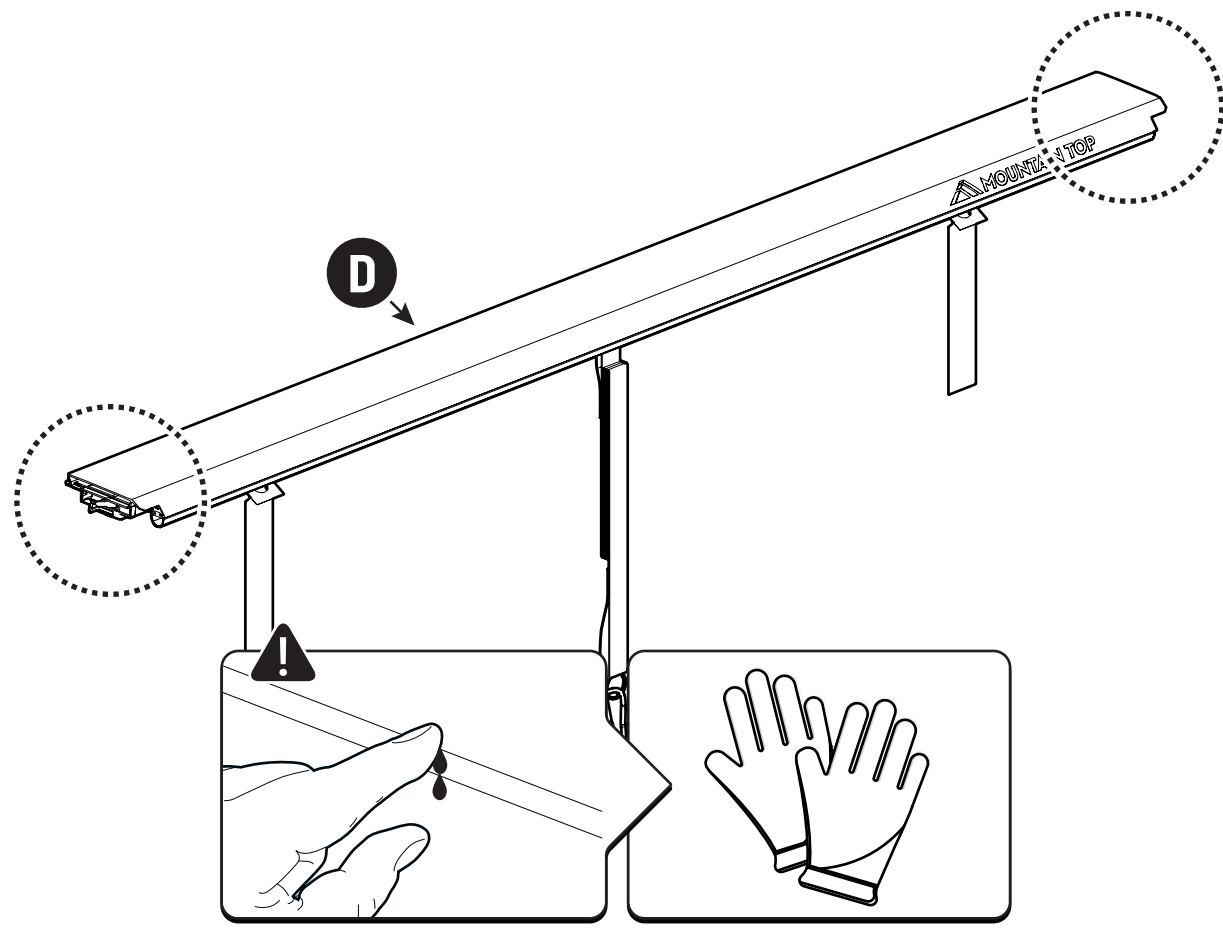


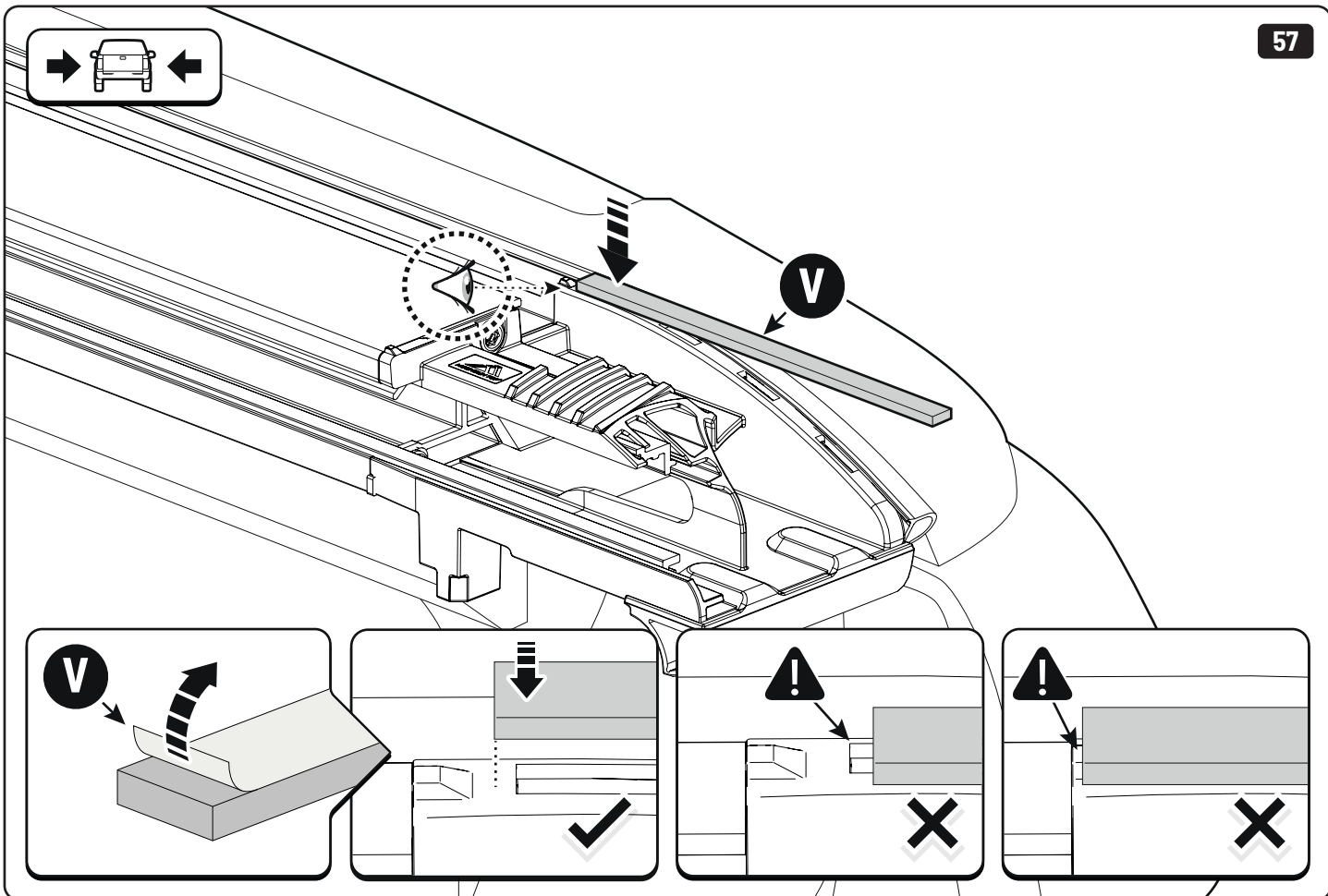
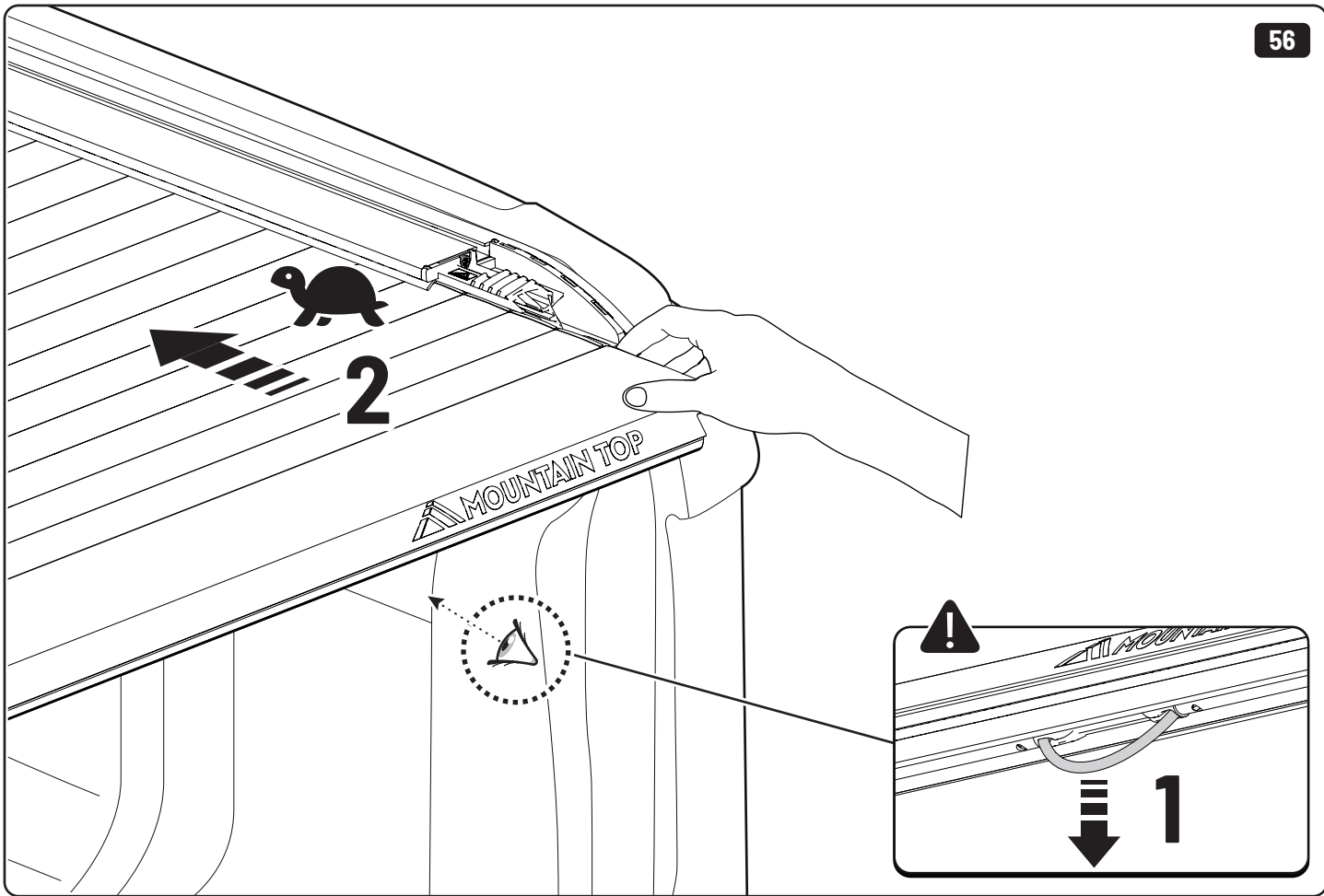
x2

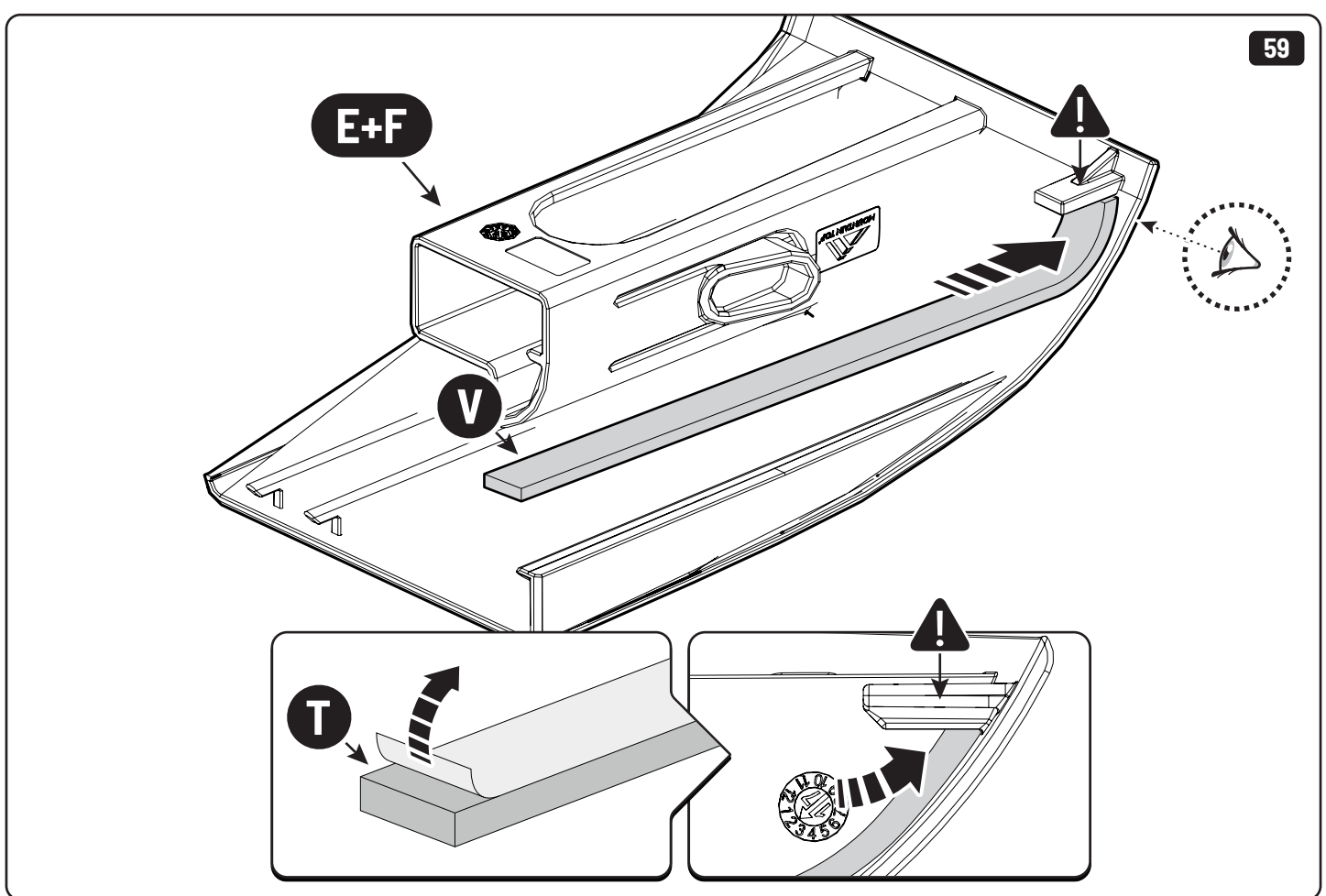
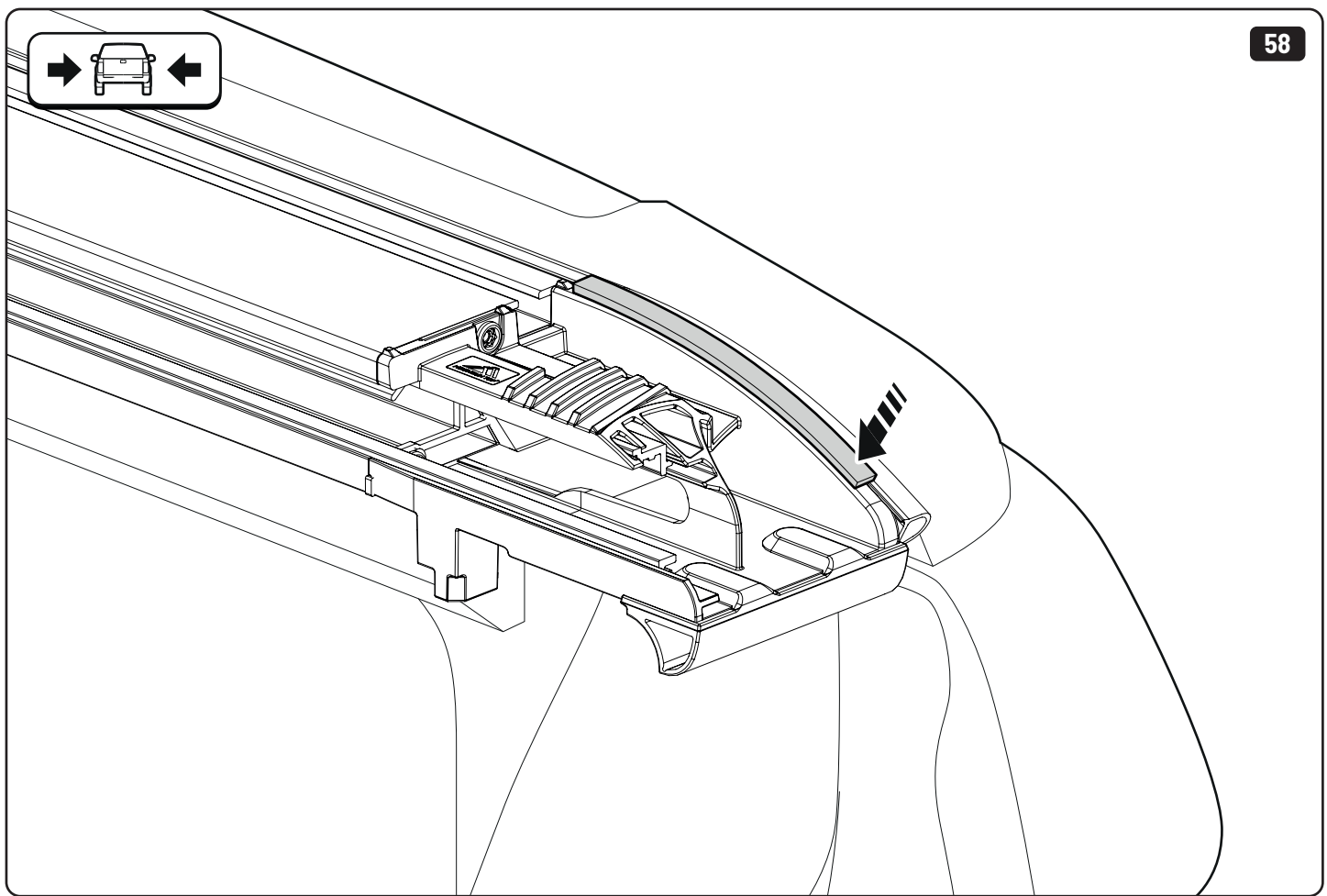


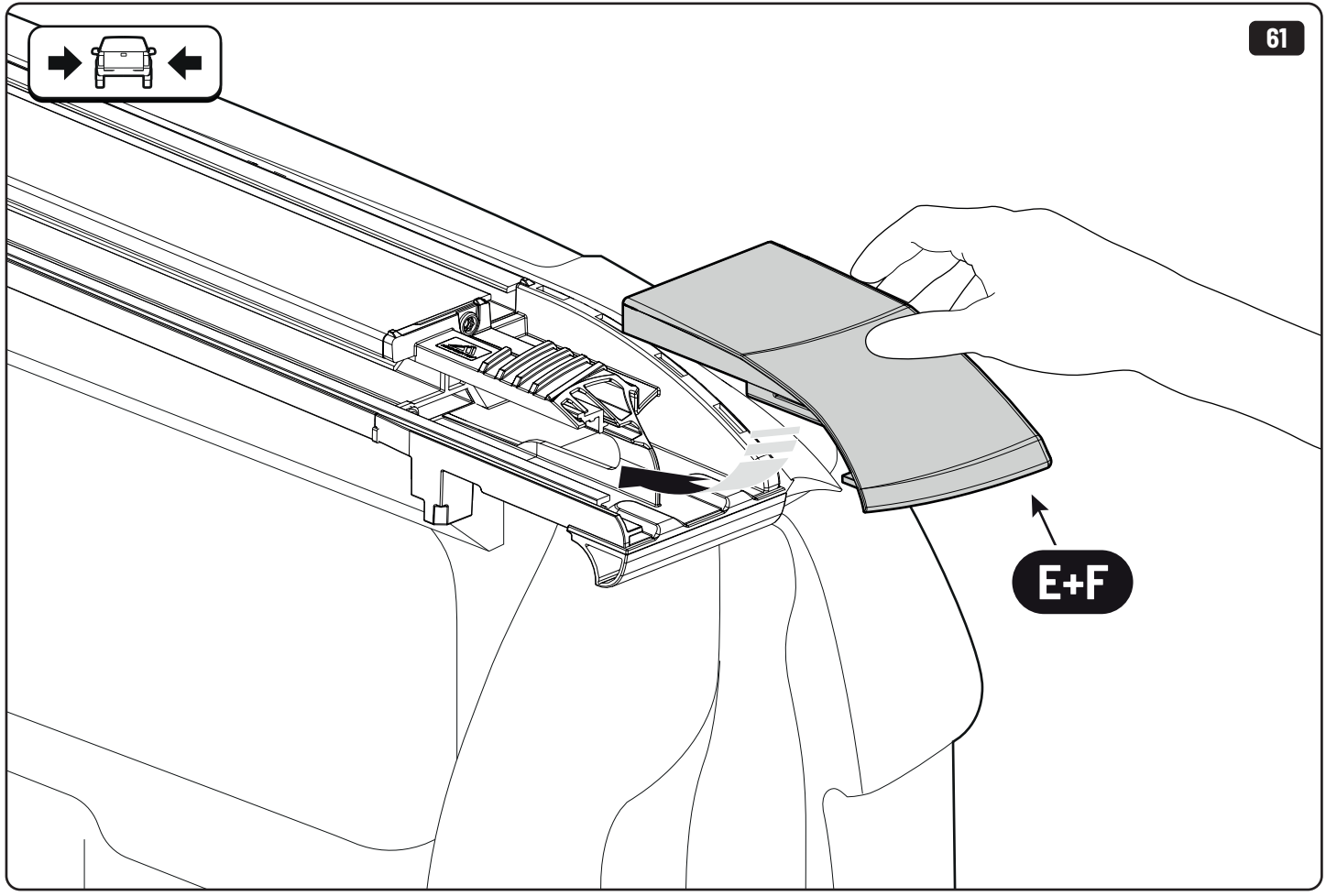
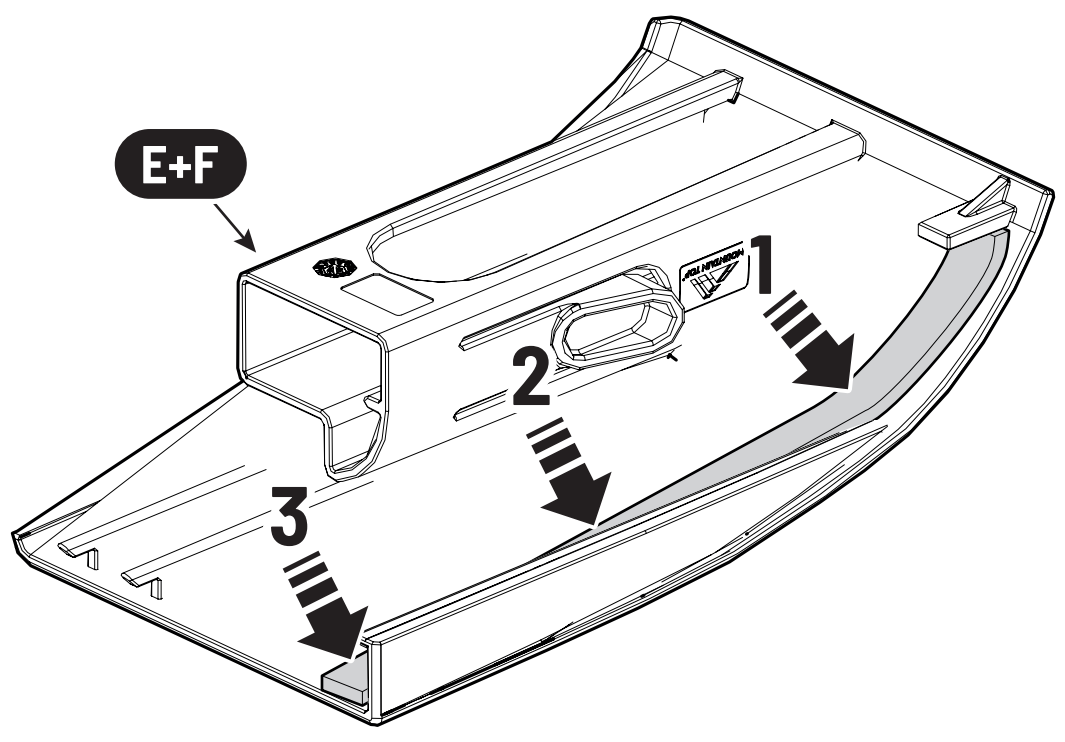


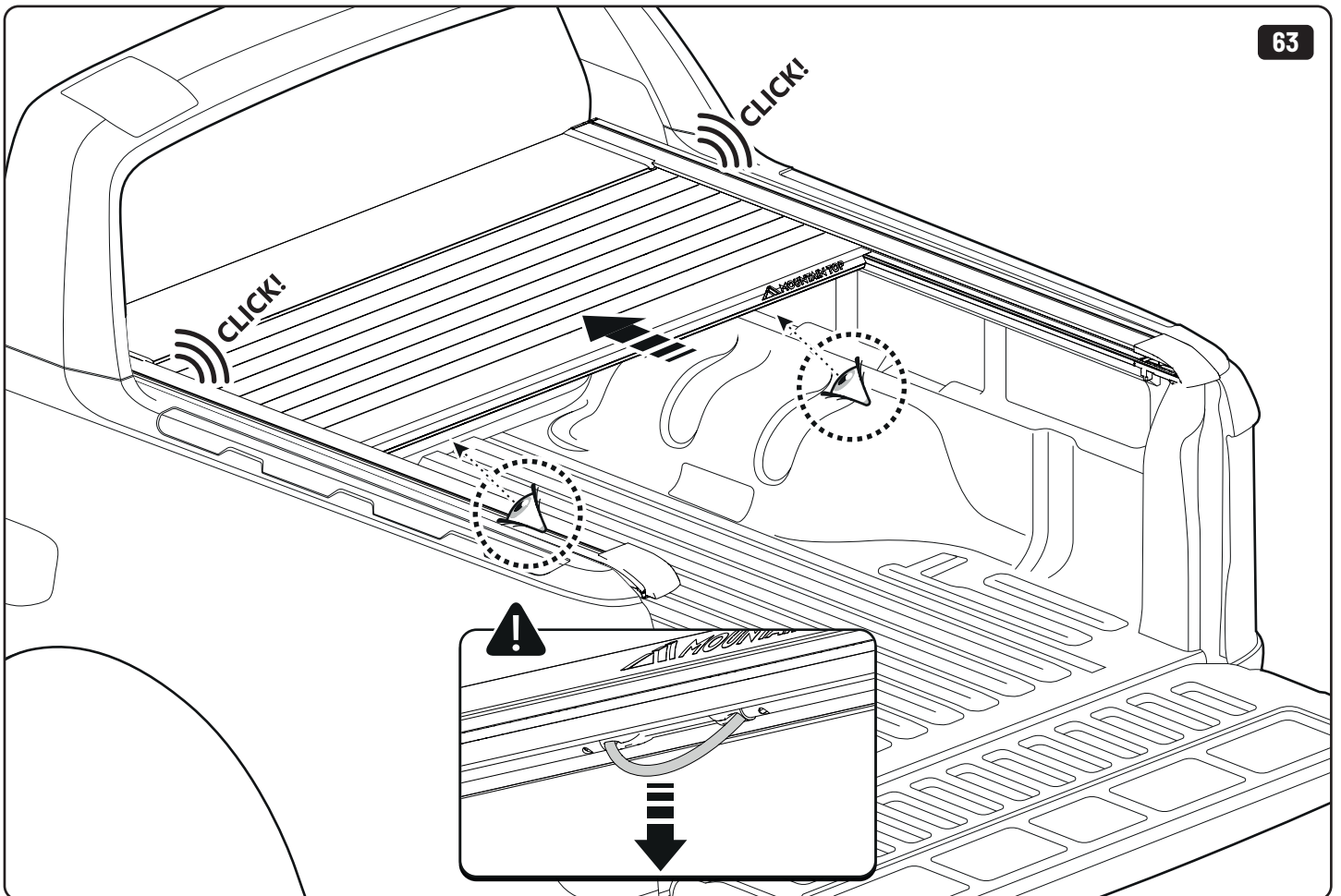
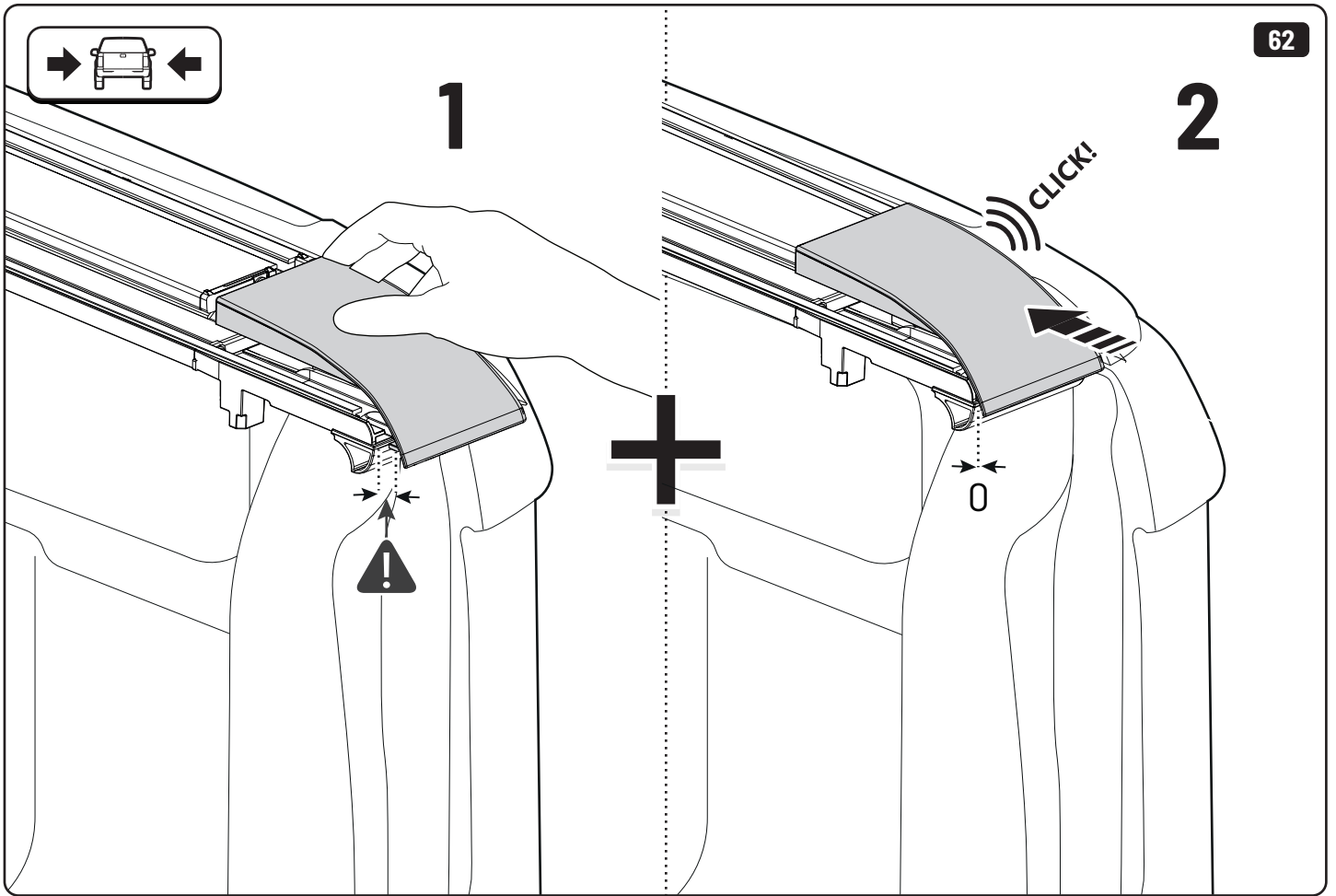


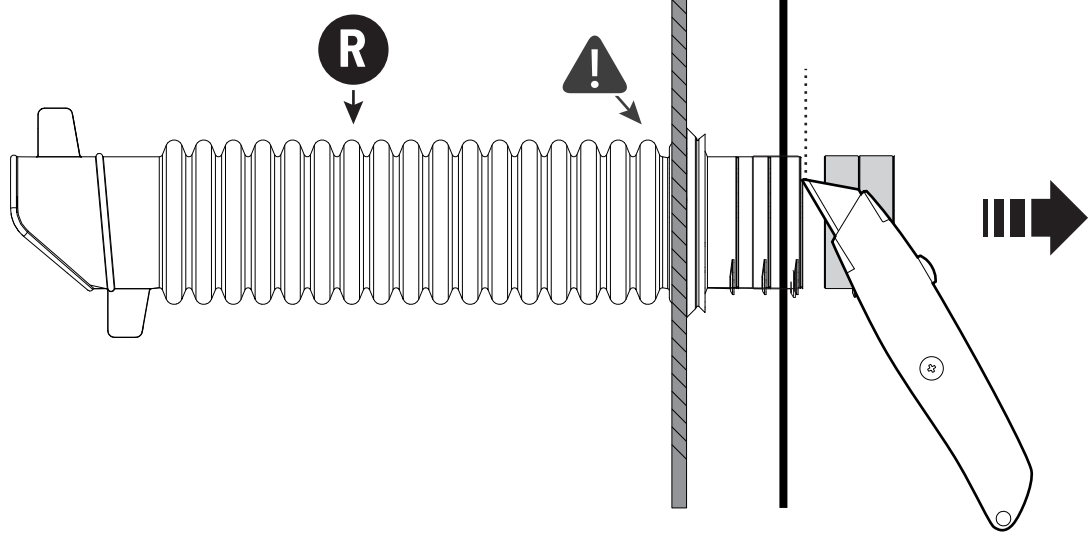
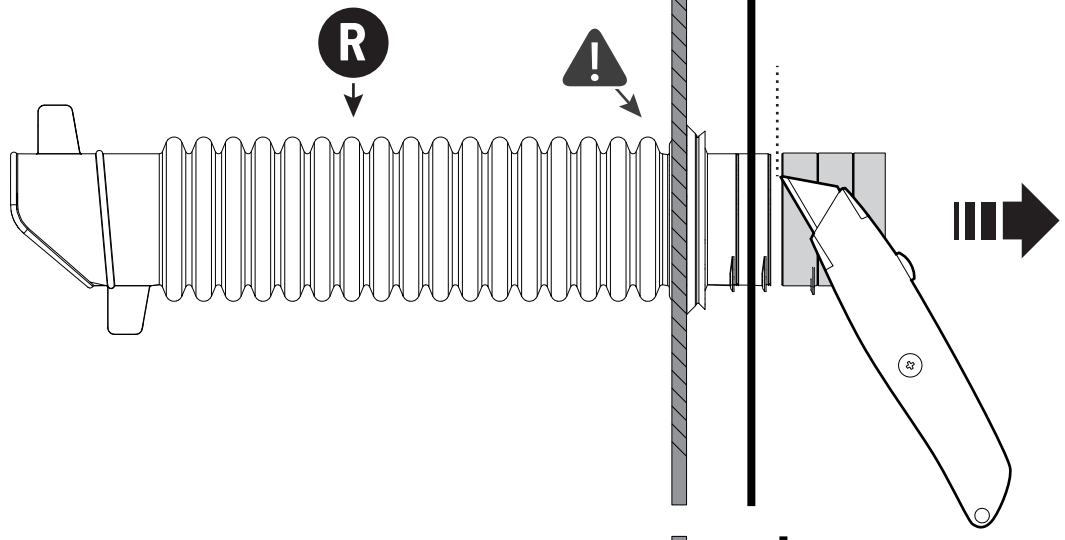
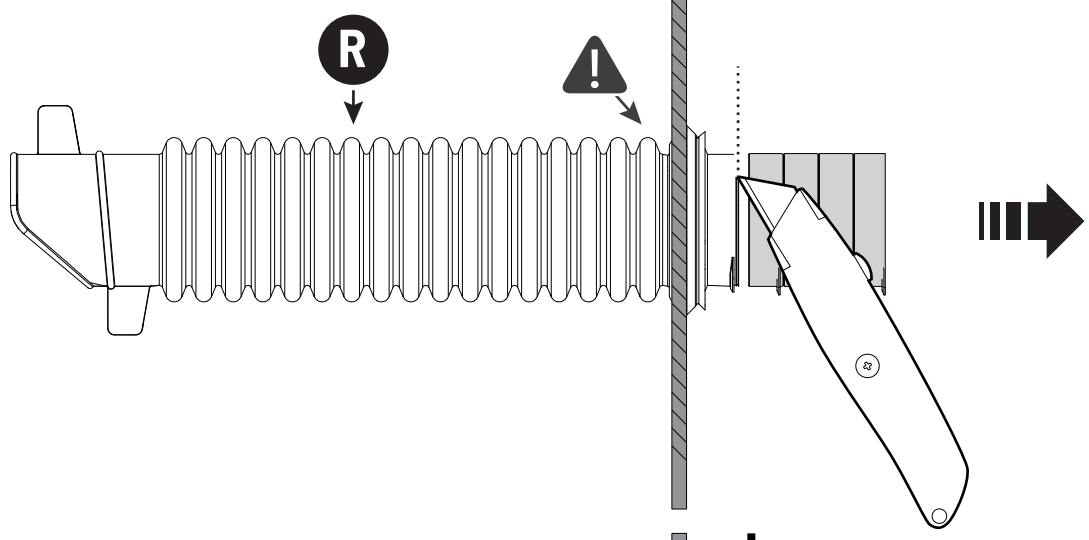
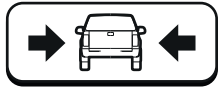


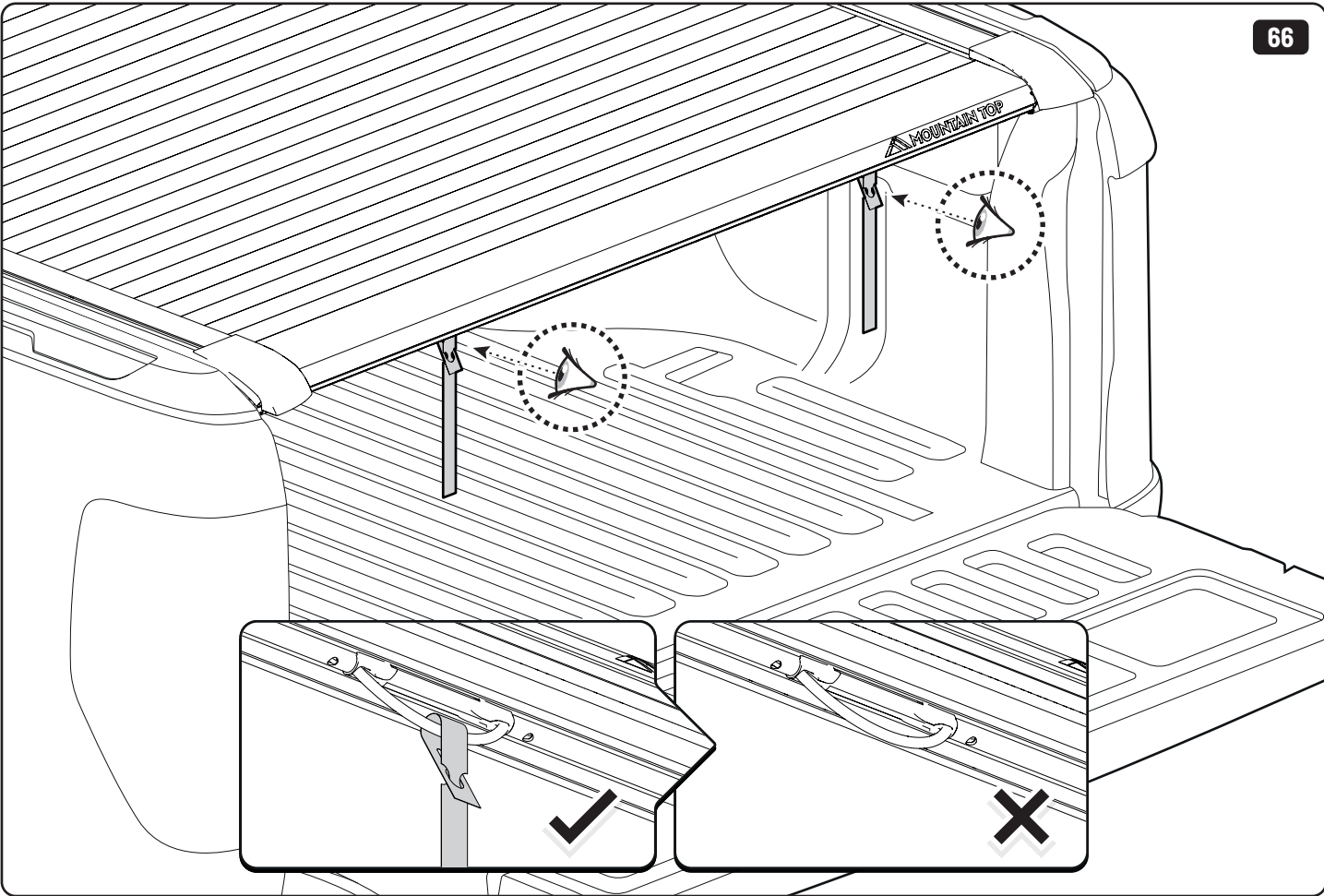
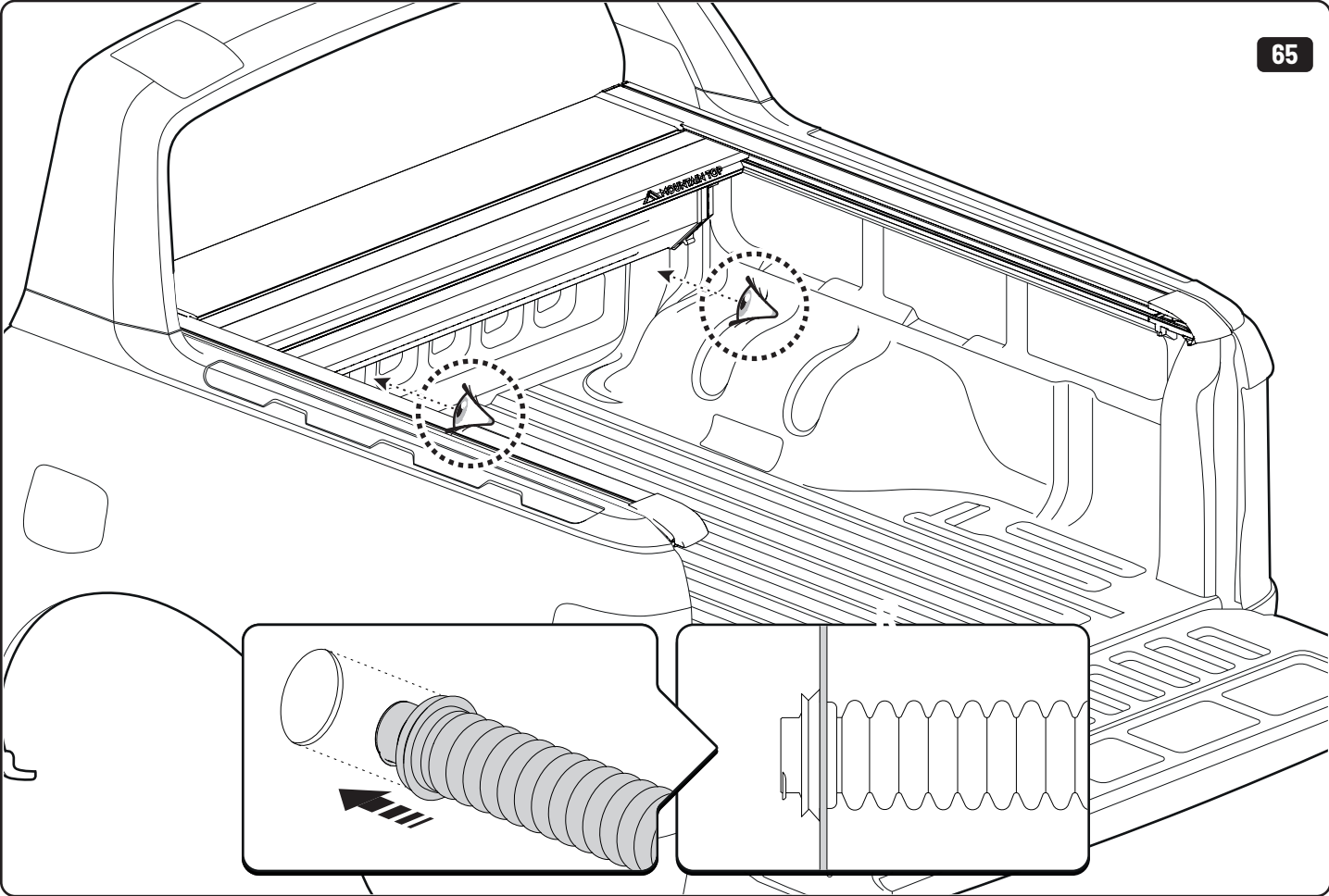














| Steps | Page | Done by |
|-----------------------------------|-------------|----------------|
| Mounting gliding rail in canister | 13 | |
| Holes for drain | 17-18 | |
| Width + Cross measurement | 26+28 | |
| Tightening the bracket | 19+27 | |
| Mounting drain | 38 | |



Customer Service +45 4810 2950 (08:00 - 16:00 CET)
Support info@mountaintop.dk
Website www.mountaintop.dk
Address Pedersholmparken 10, 3600 Frederikssund, Denmark

| Part number (s) | Model / Year | Cab type (s) | Installation time | Weight |
|-----------------|--------------------|--------------|-------------------|--------|
| EV0m F090 HB01 | Wildtrak / 2011 -> | Double Cab | 1 hour (s) | 27 kg |

| | | |
|-----------------------------------|------------------------------------|-------------------------------------|
| GB Installation manual | S Monteringsanvisning | D Einbauanleitung |
| SF Asennusohje | E Instrucciones de montaje | CZ Návod k instalaci |
| F Notice de montage | H Szerelési utasítás | I Istruzioni di montaggio |
| PL Instrukcja montażu | P Instruções de instalação | GR Οδηγίες Εγκατάστασης |
| NL Installatie-instructies | RUS Инструкция по установке | DK Monteringsvejledning |
| TR Montaj Talimatı | N Monteringsveiledning | RO Instructiuni de instalare |