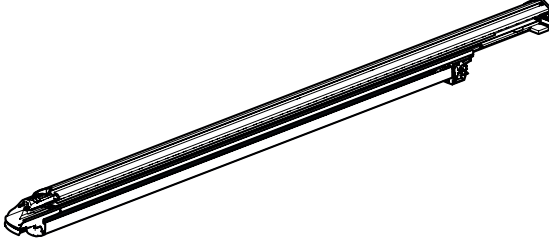
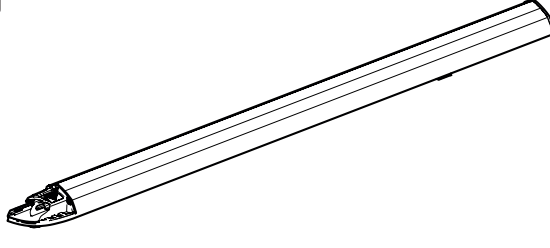
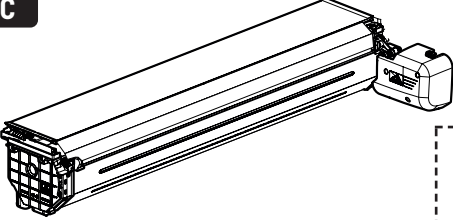





# MOUNTAIN TOP® EVOe

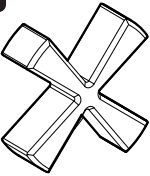


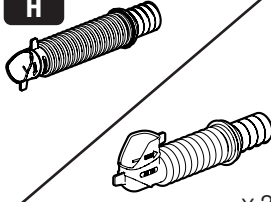
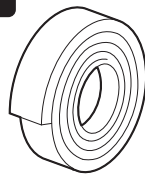
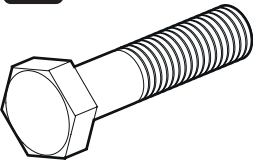
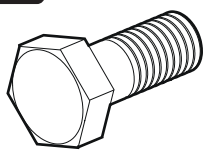
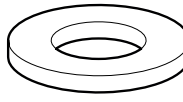
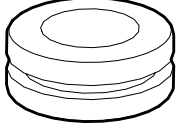
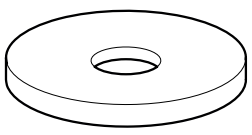
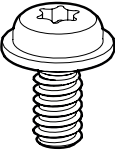
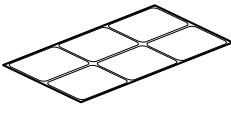
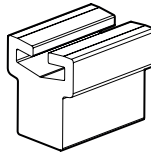
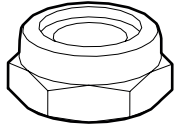

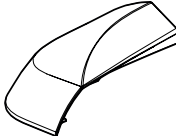
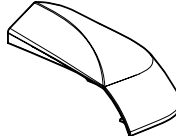
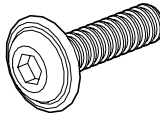
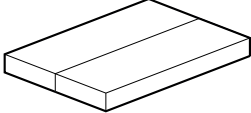
Installation manual



Parts

<b>A</b>		x1	<b>B</b>		x1
<b>C</b>		x1	<b>D</b>		x1
		x2			x1

Kit

<b>E</b>		x2	<b>F</b>		x6	<b>G</b>		x6	<b>H</b>		x2	<b>I</b>		x1
<b>J</b>		x6	<b>K</b>		x6	<b>L</b>		x6	<b>M</b>		x1	<b>N</b>		x12
<b>O</b>		x5	<b>P</b>		x1	<b>R</b>		x1	<b>S</b>		x6	<b>T</b>		x2
<b>U</b>		x1	<b>V</b>		x1	<b>X</b>		x2	<b>Y</b>		x1			

Kit

<b>A1</b>	<b>B1</b>	<b>C1</b>
x1	x6	x6

Power supply kit

<b>D1</b>	<b>E1</b>	<b>F1</b>	<b>G1</b>
x1	x1	x10	x1

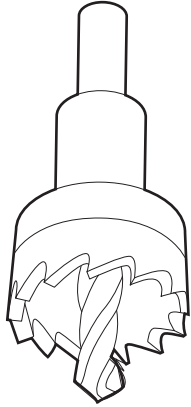
Kit

Manual	TÜV	Owners Manual
x1	x1	x1

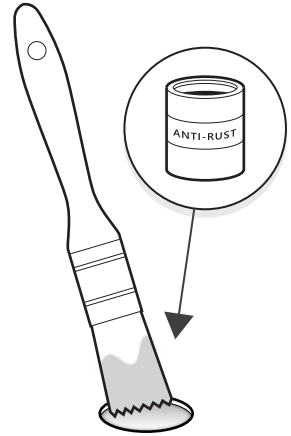
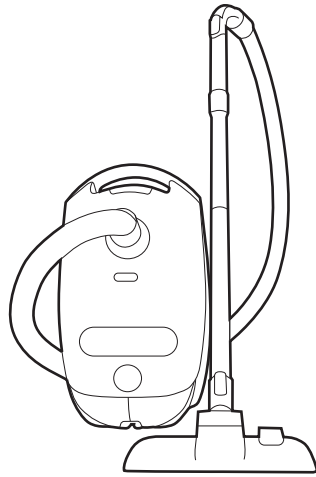
Tools needed

	1 - 25 Nm	
Ø3.5MM		Rust protection Rostschutzmittel Anti-rouille Anti roest
13mm T30		

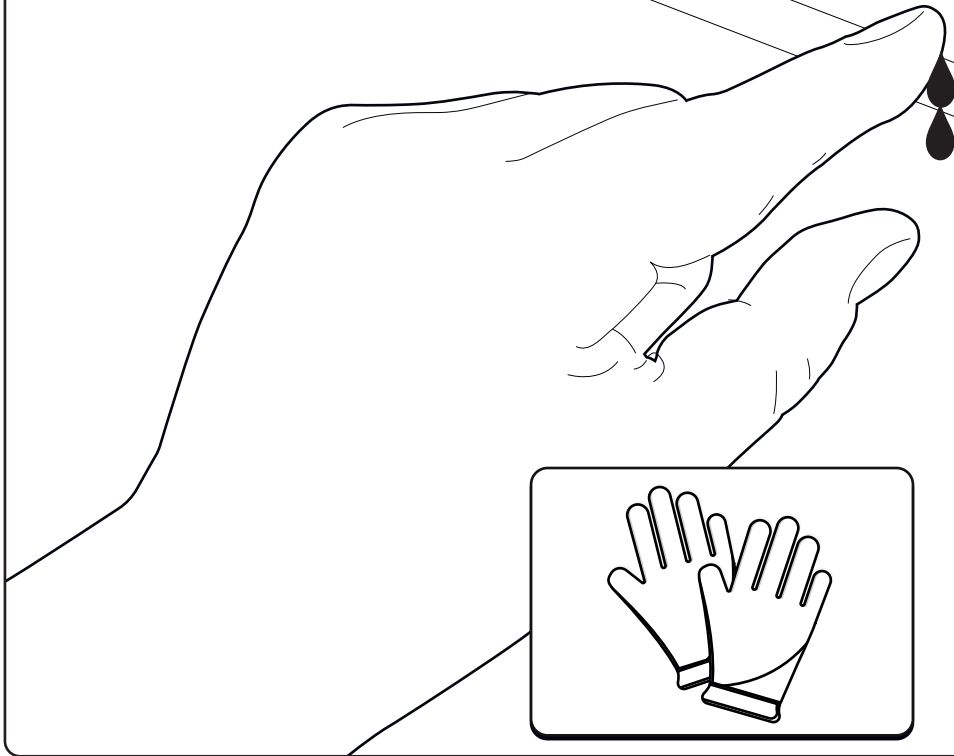
Applying rust protection



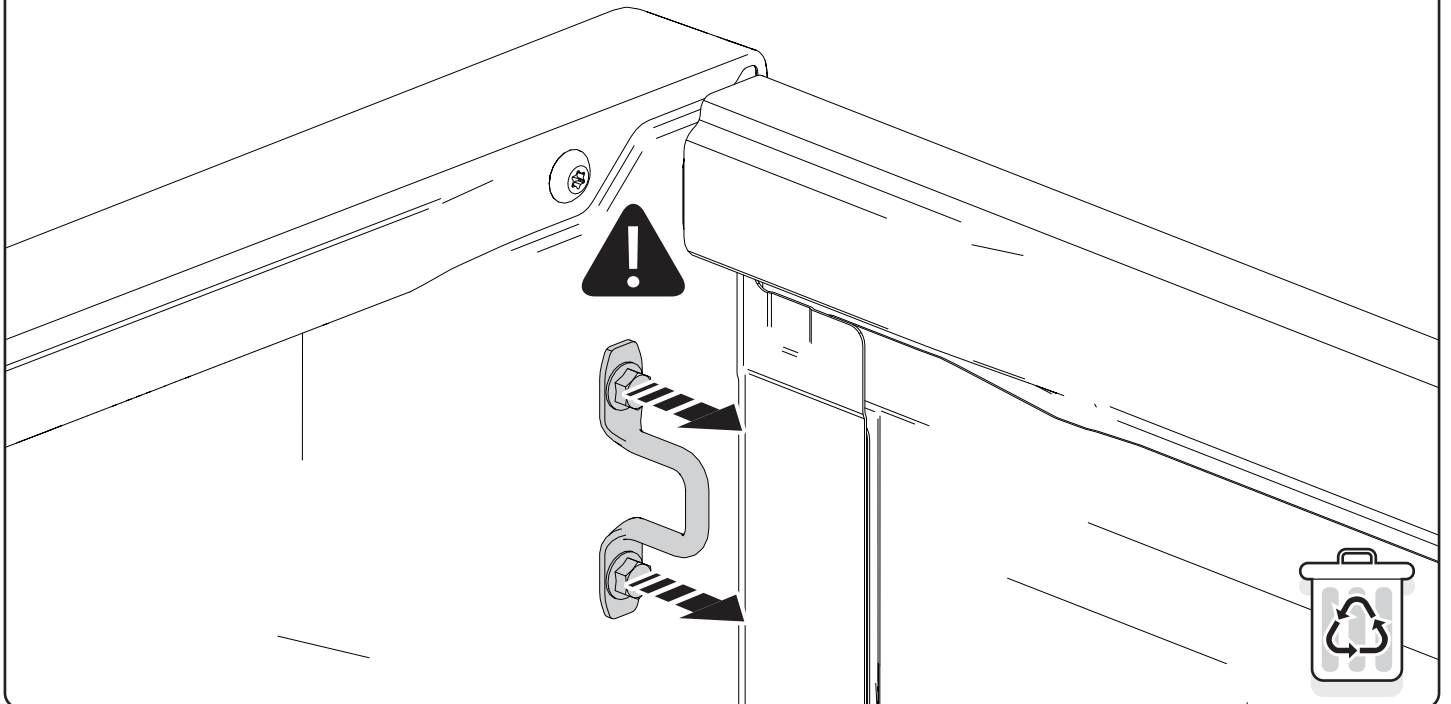
Ø40/22 + Ø18 MM

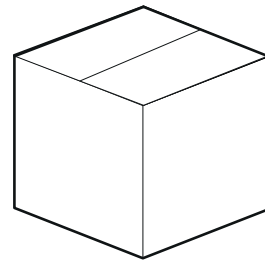
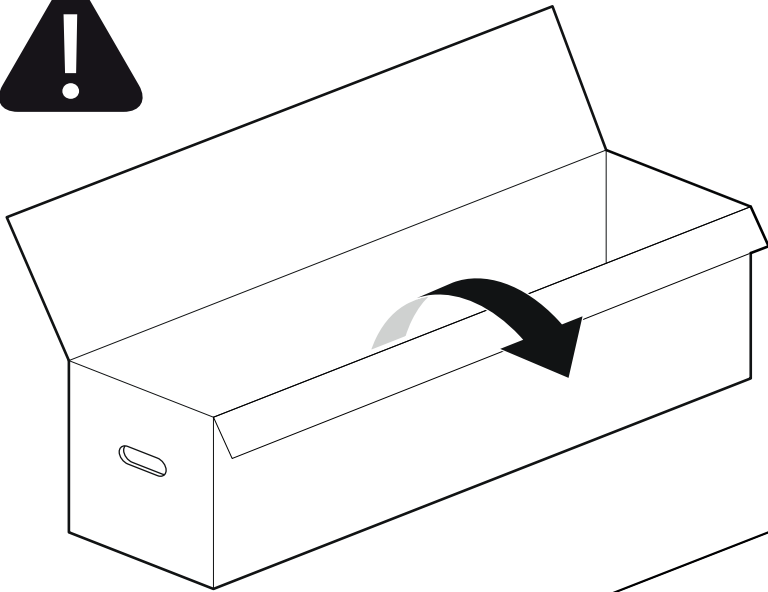


Sharp edge

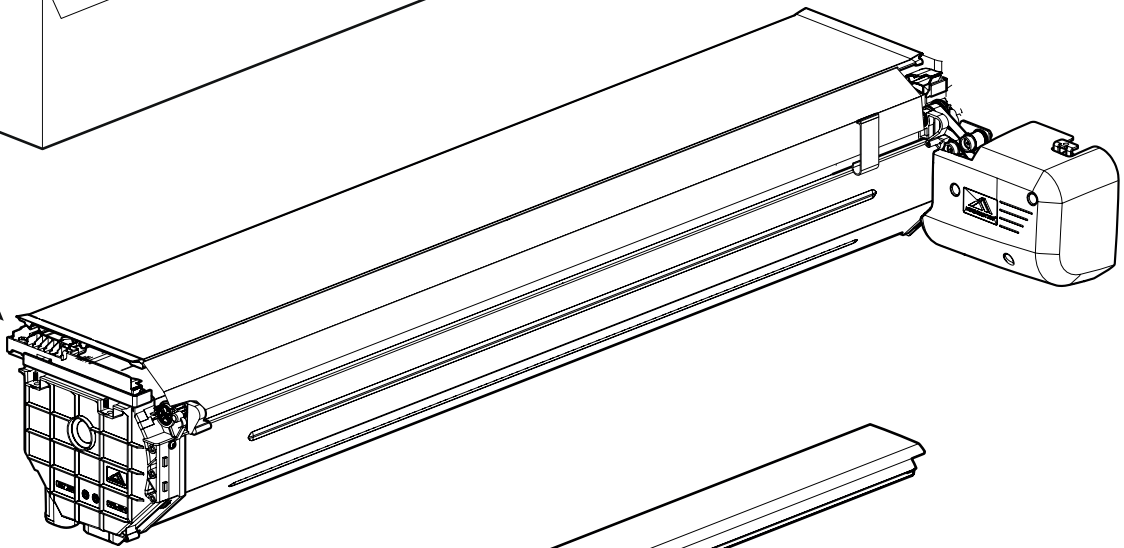


Isuzu 10+11

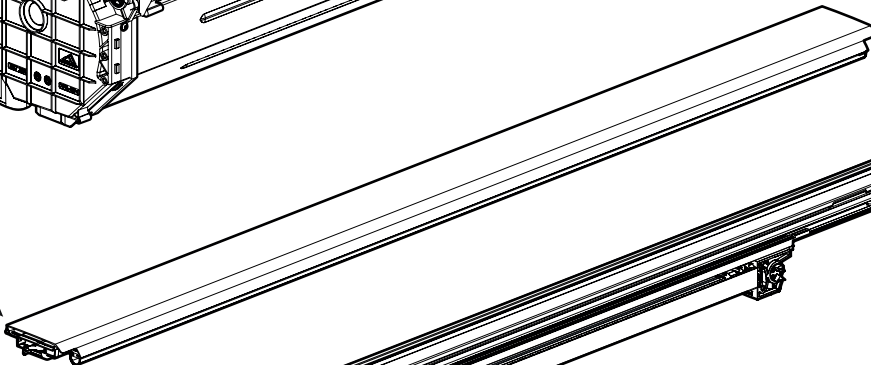




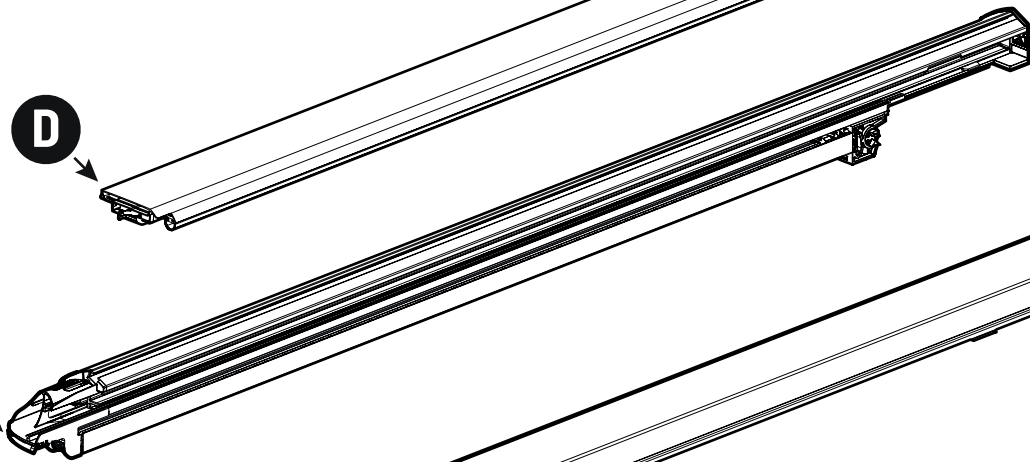
**C**



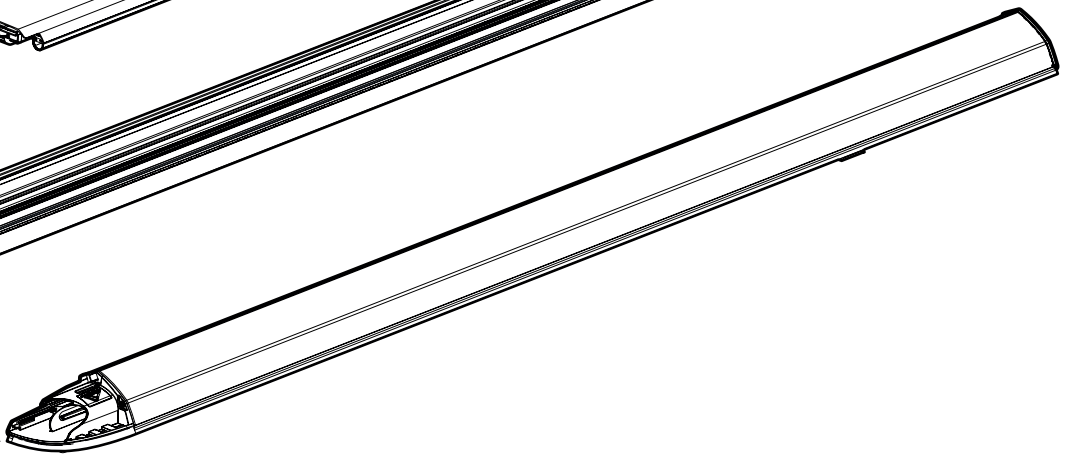
**D**



**A**

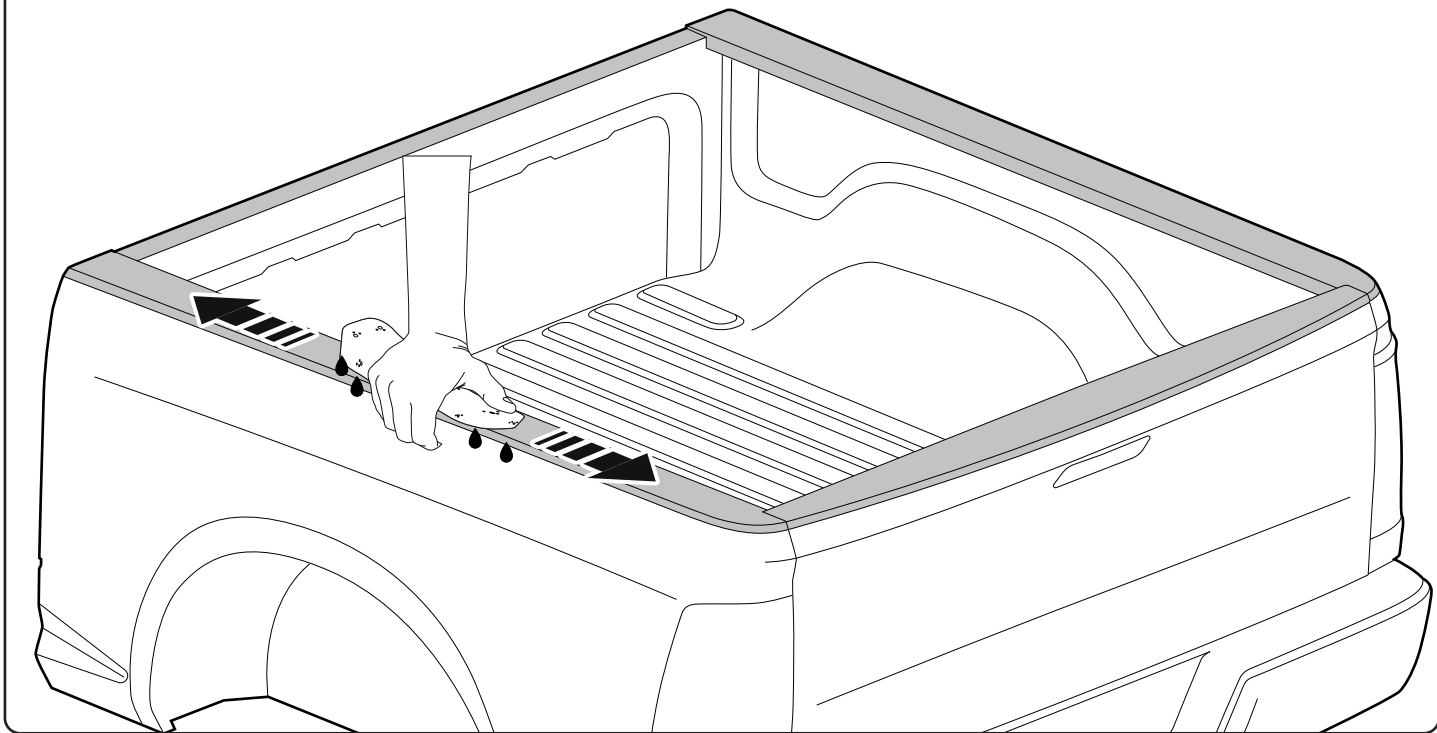


**B**

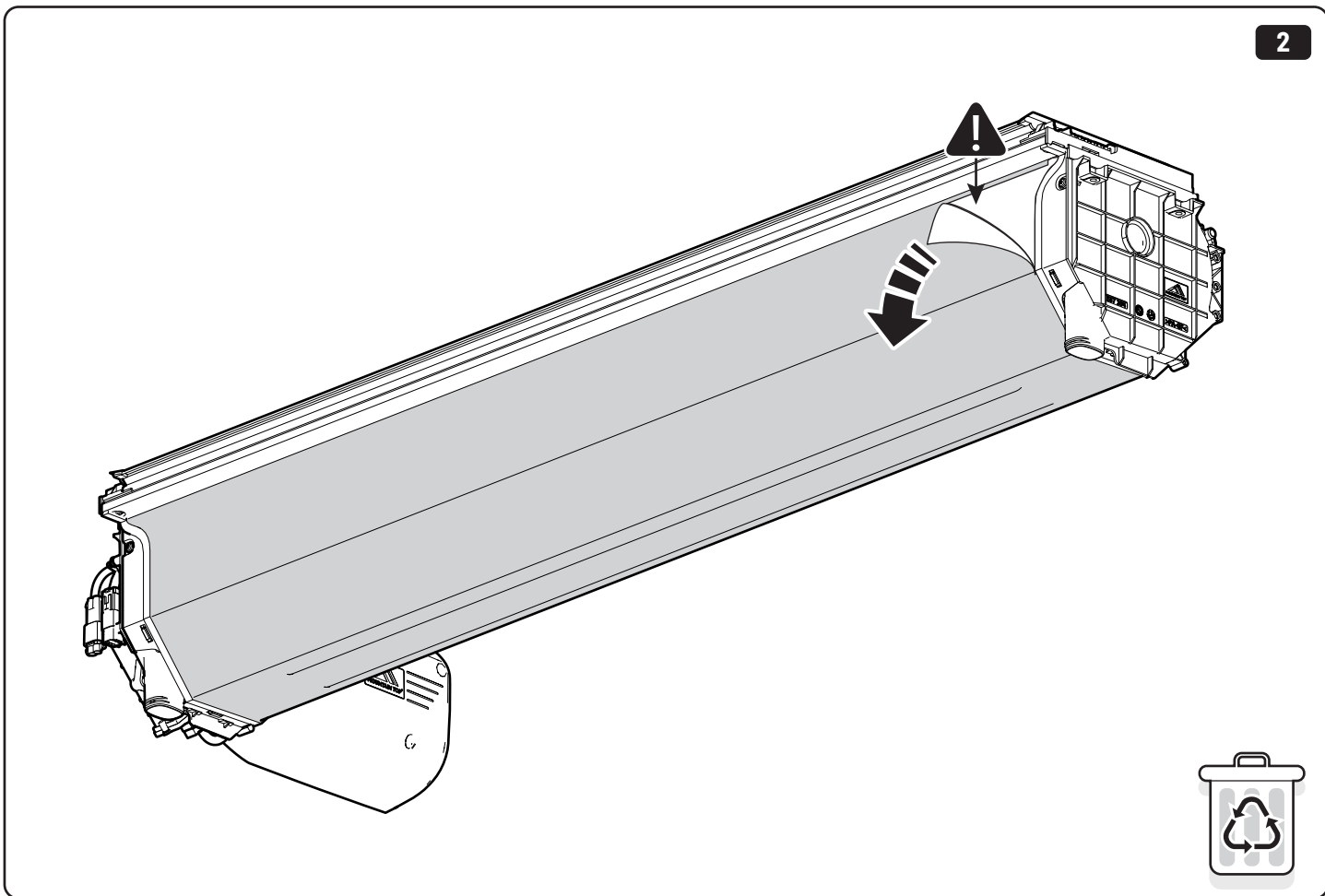


 Water & sponge

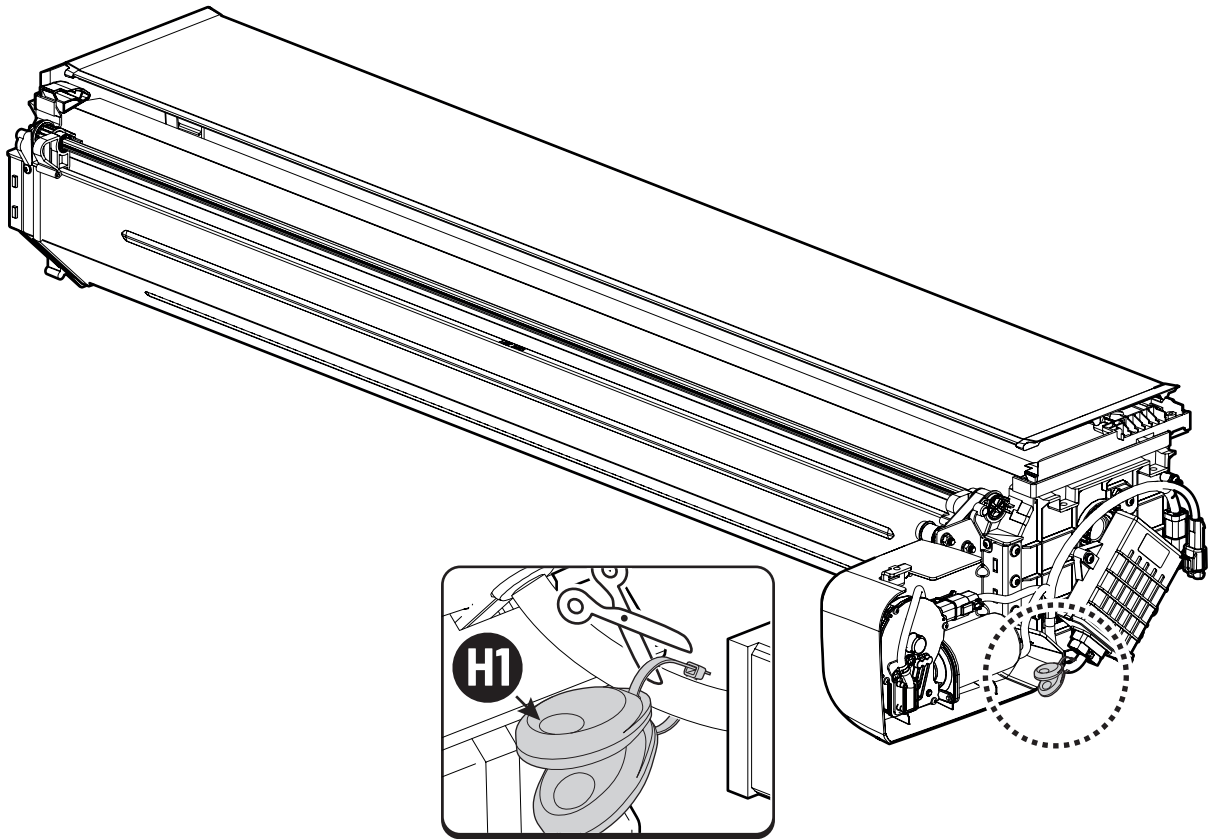
1



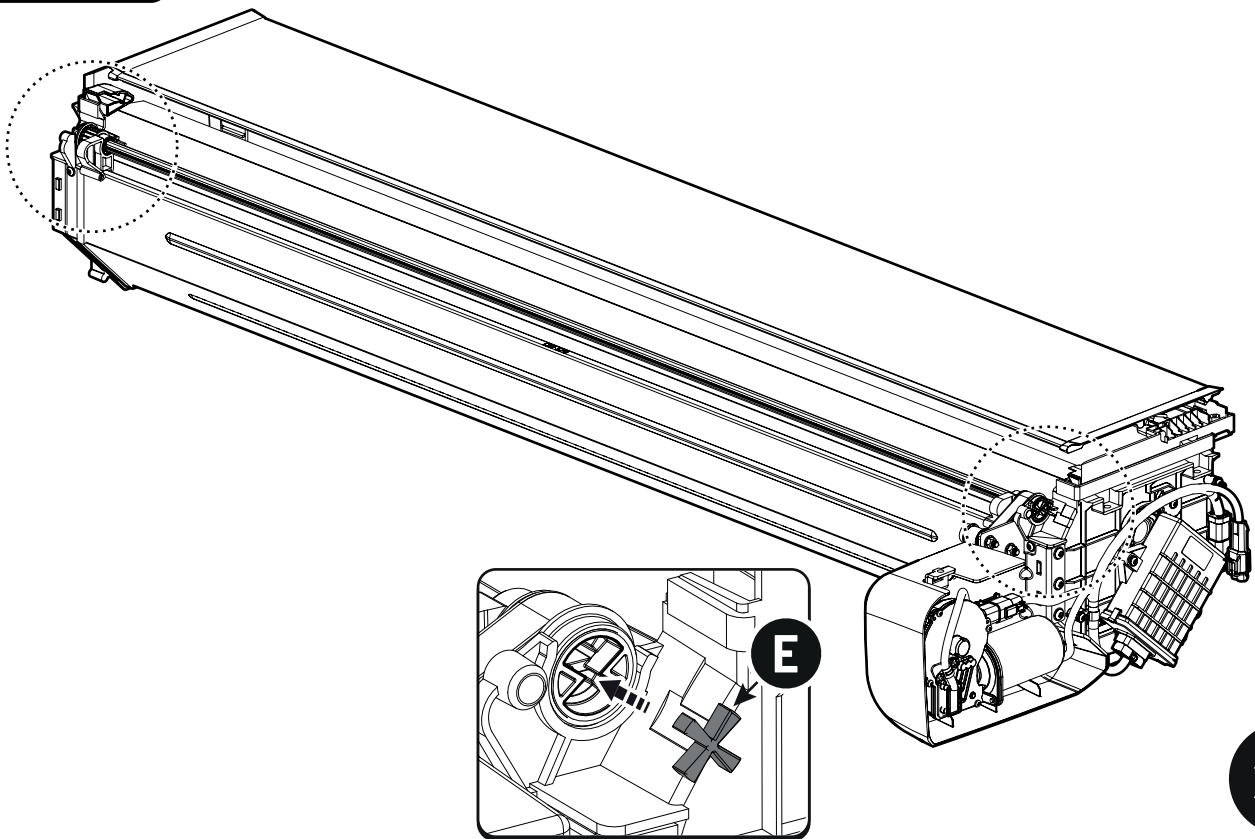
2



3

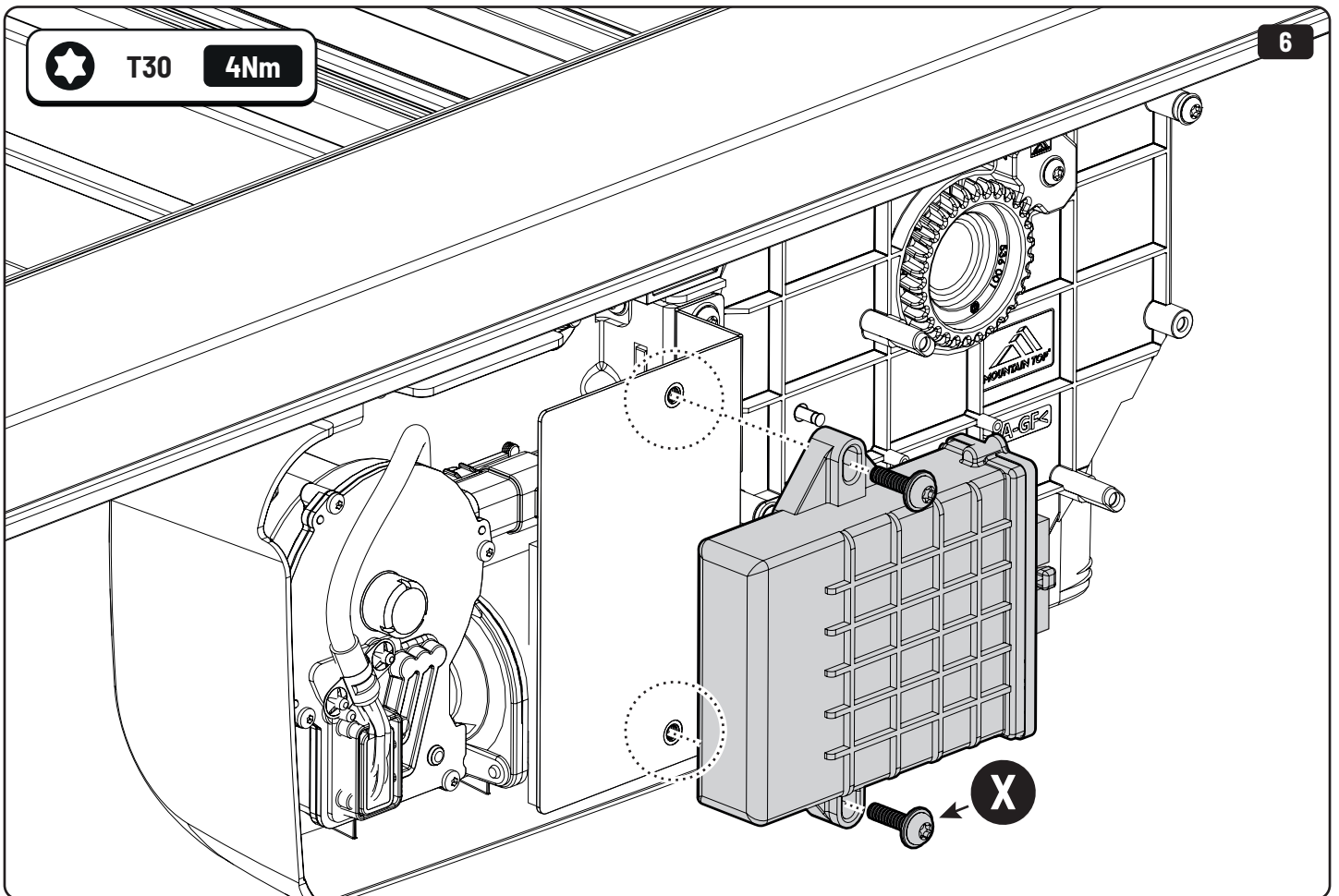
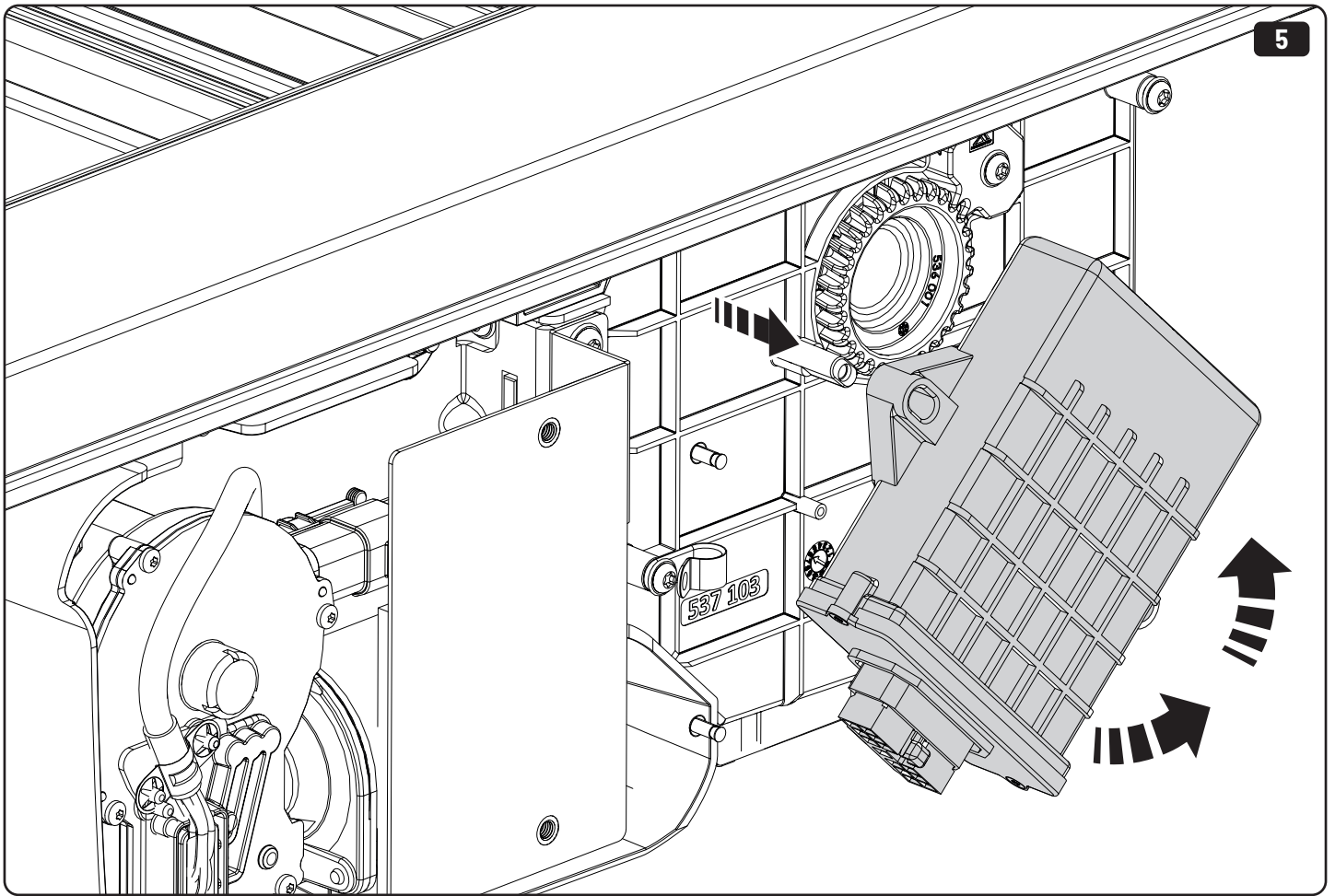


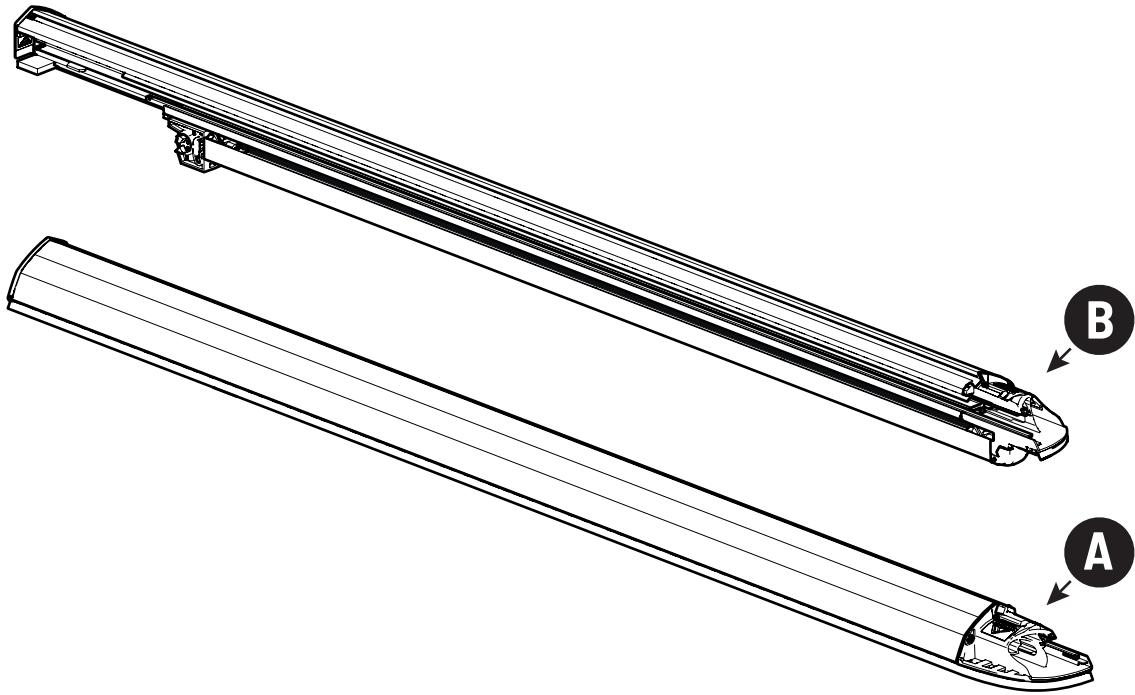
4



x2

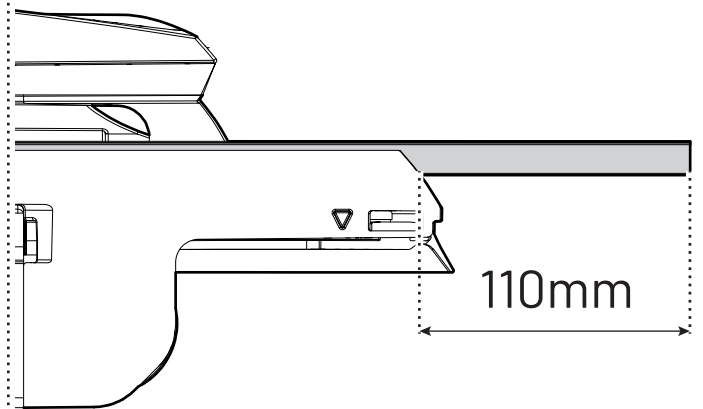
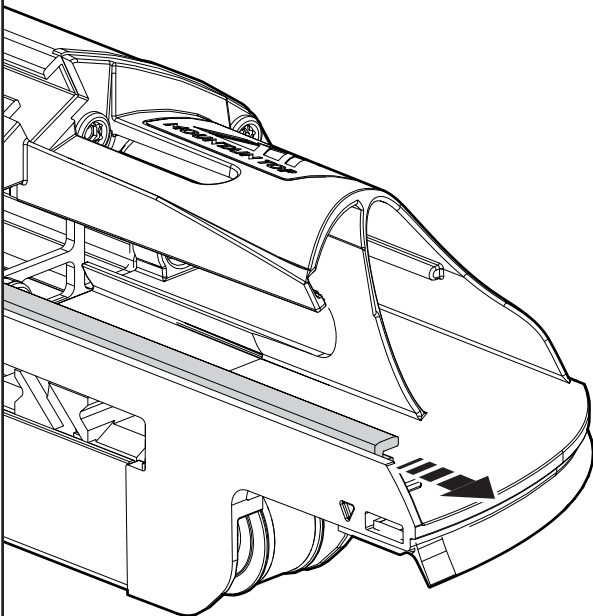


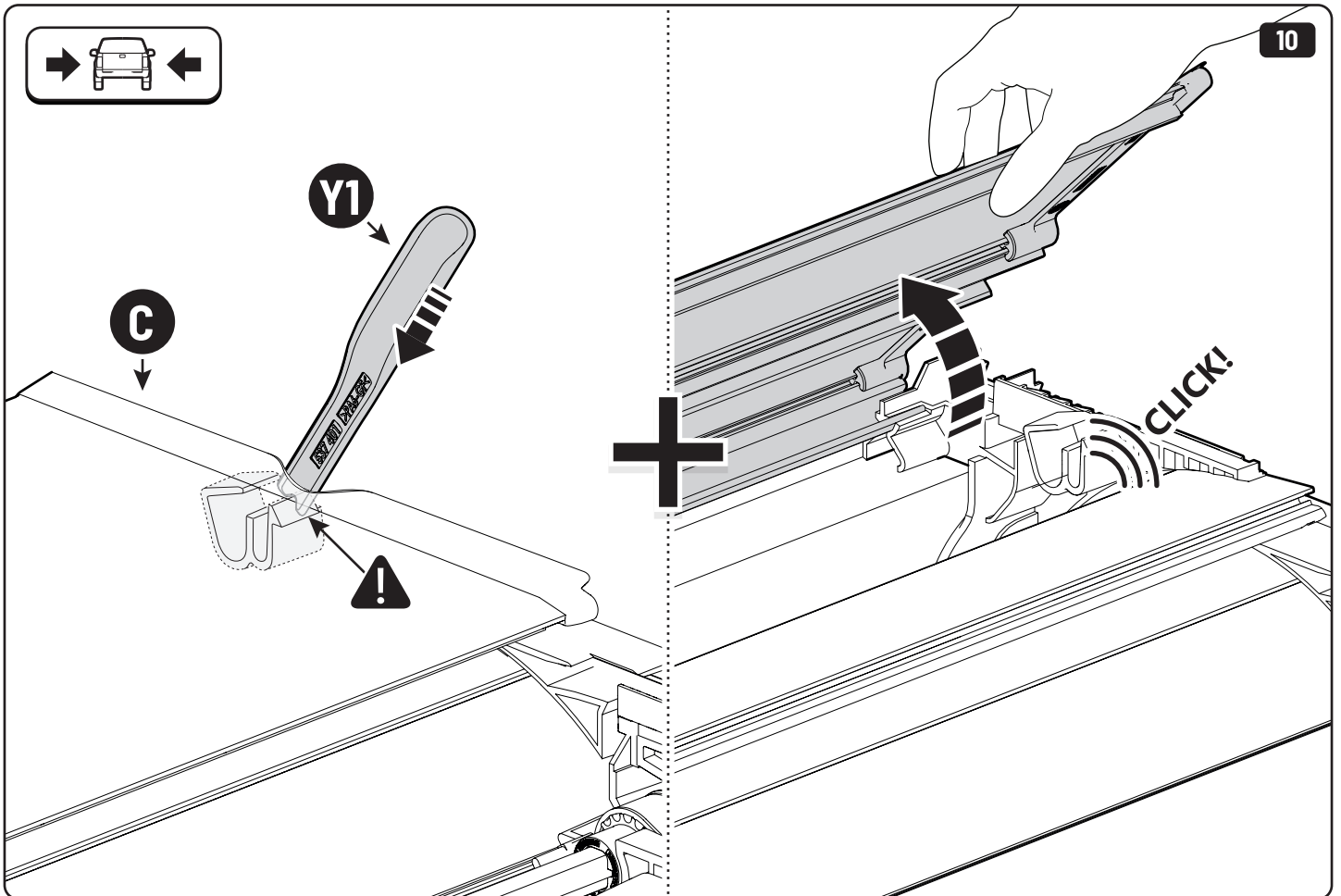
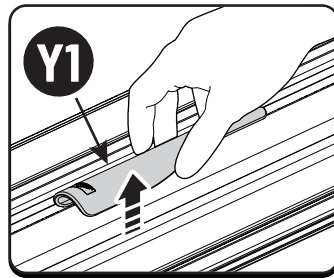
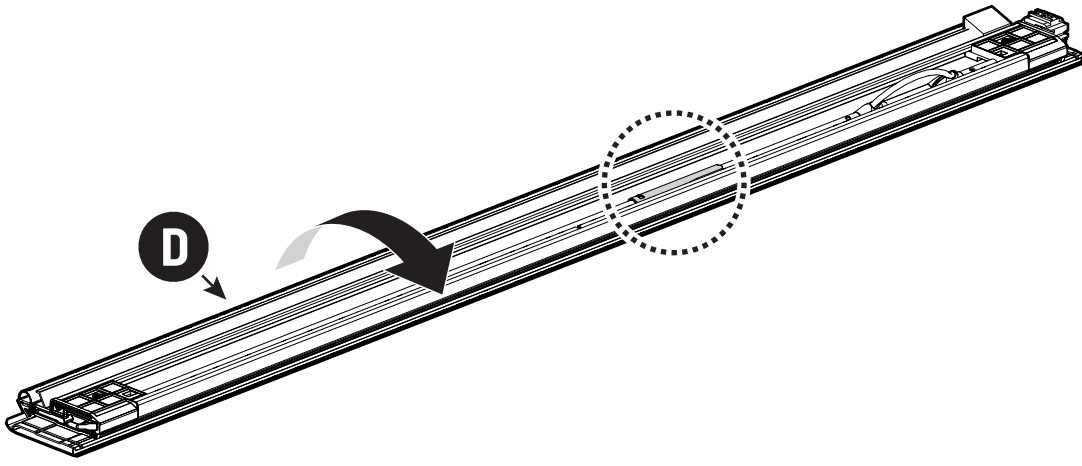


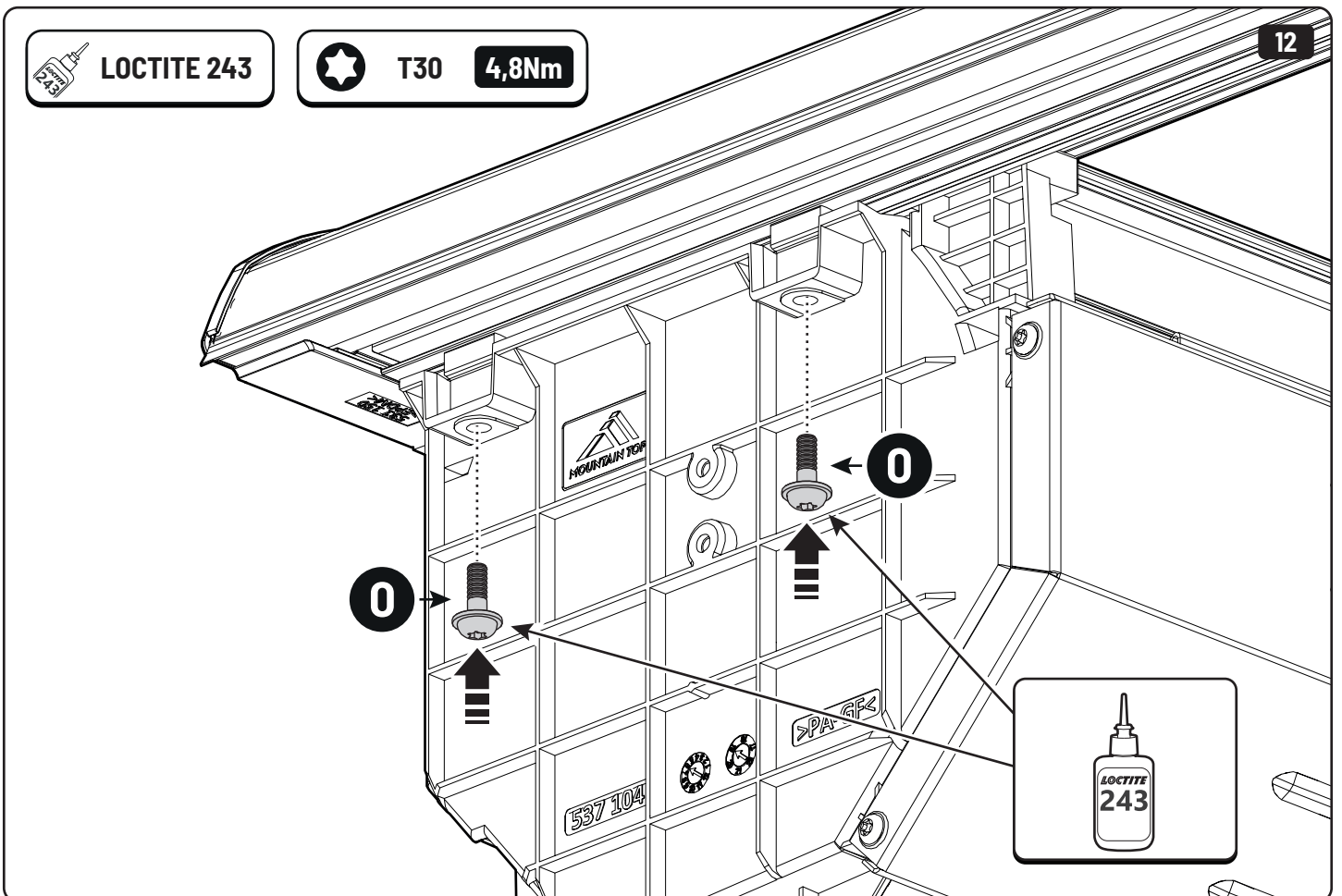
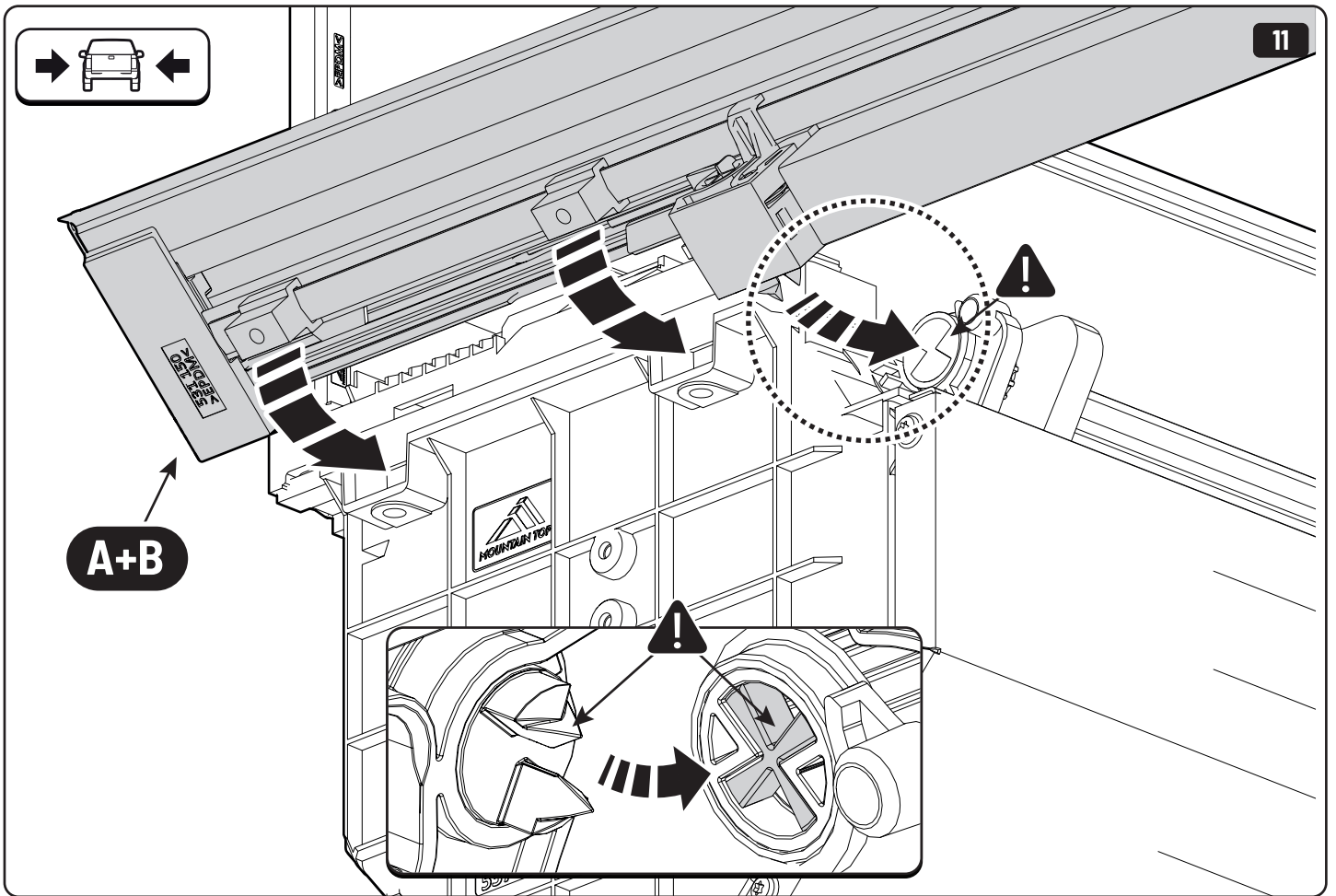


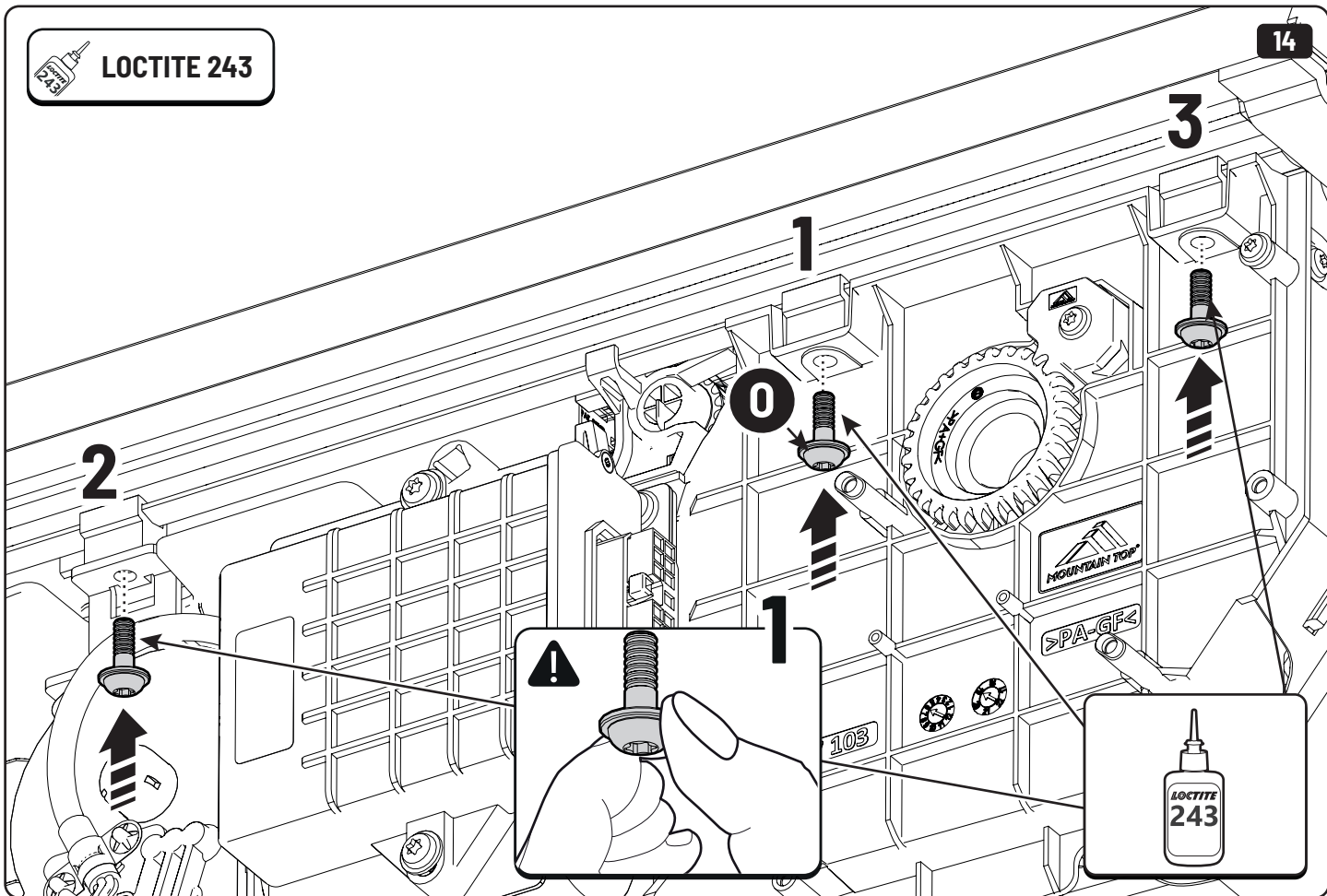
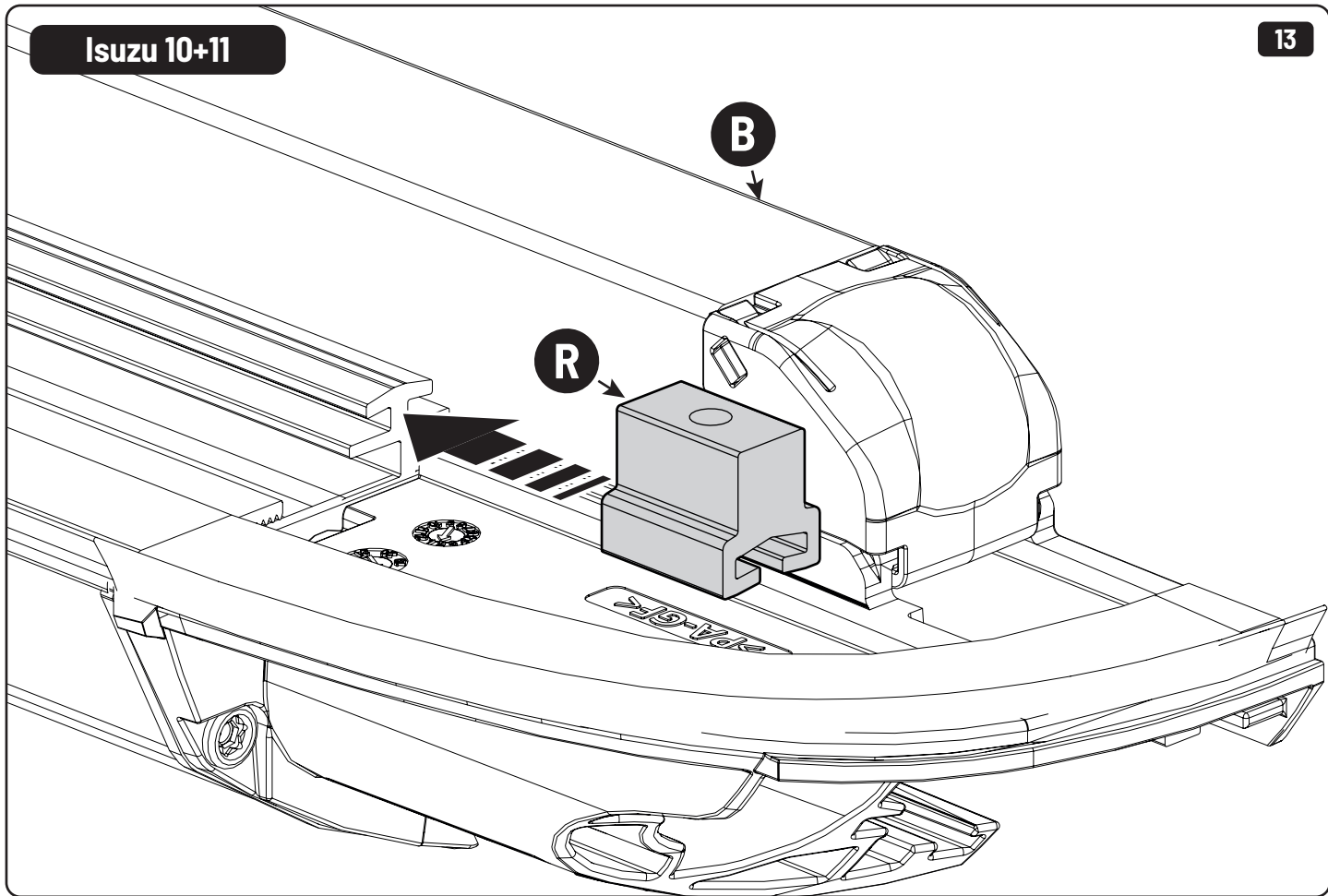
1

2







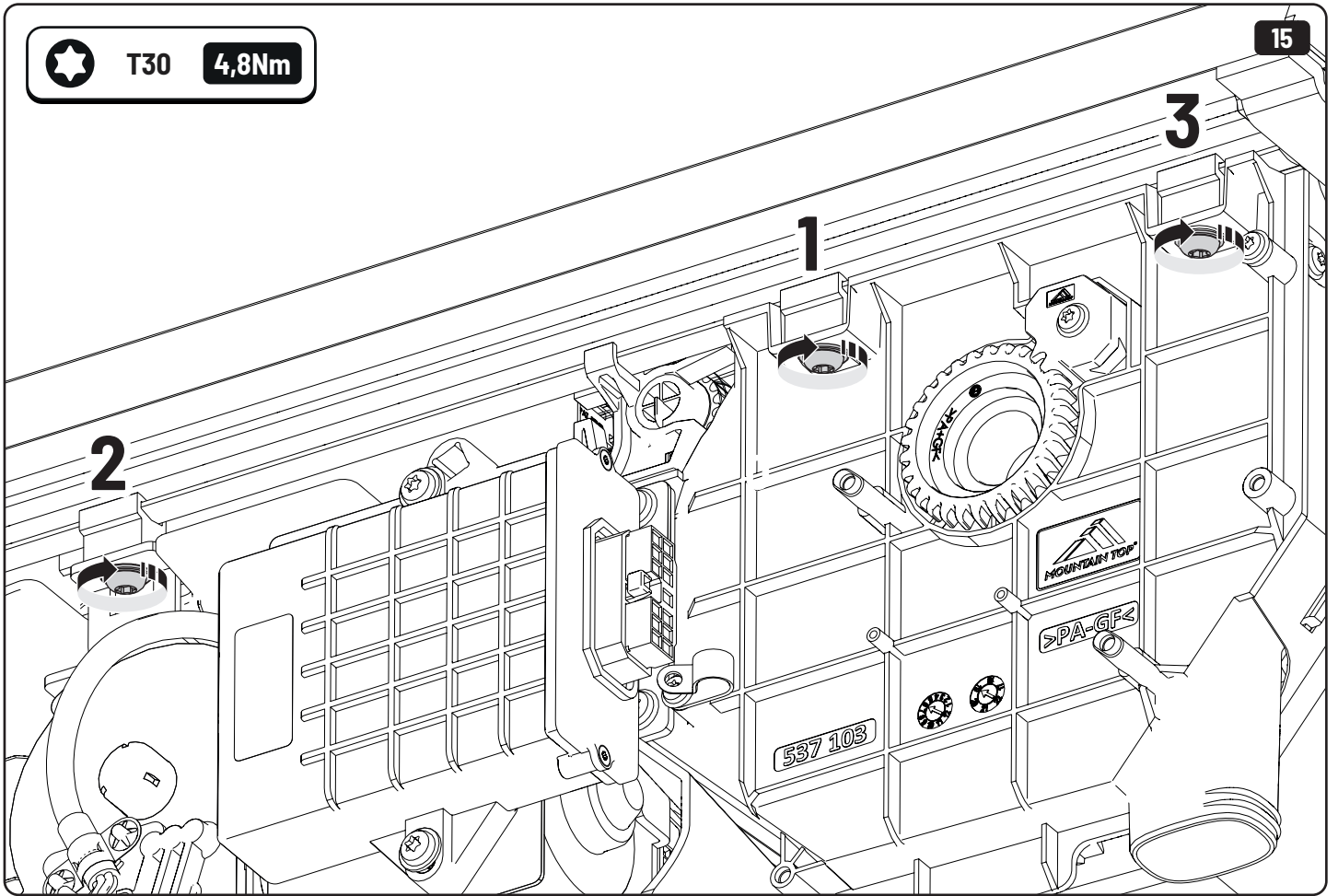




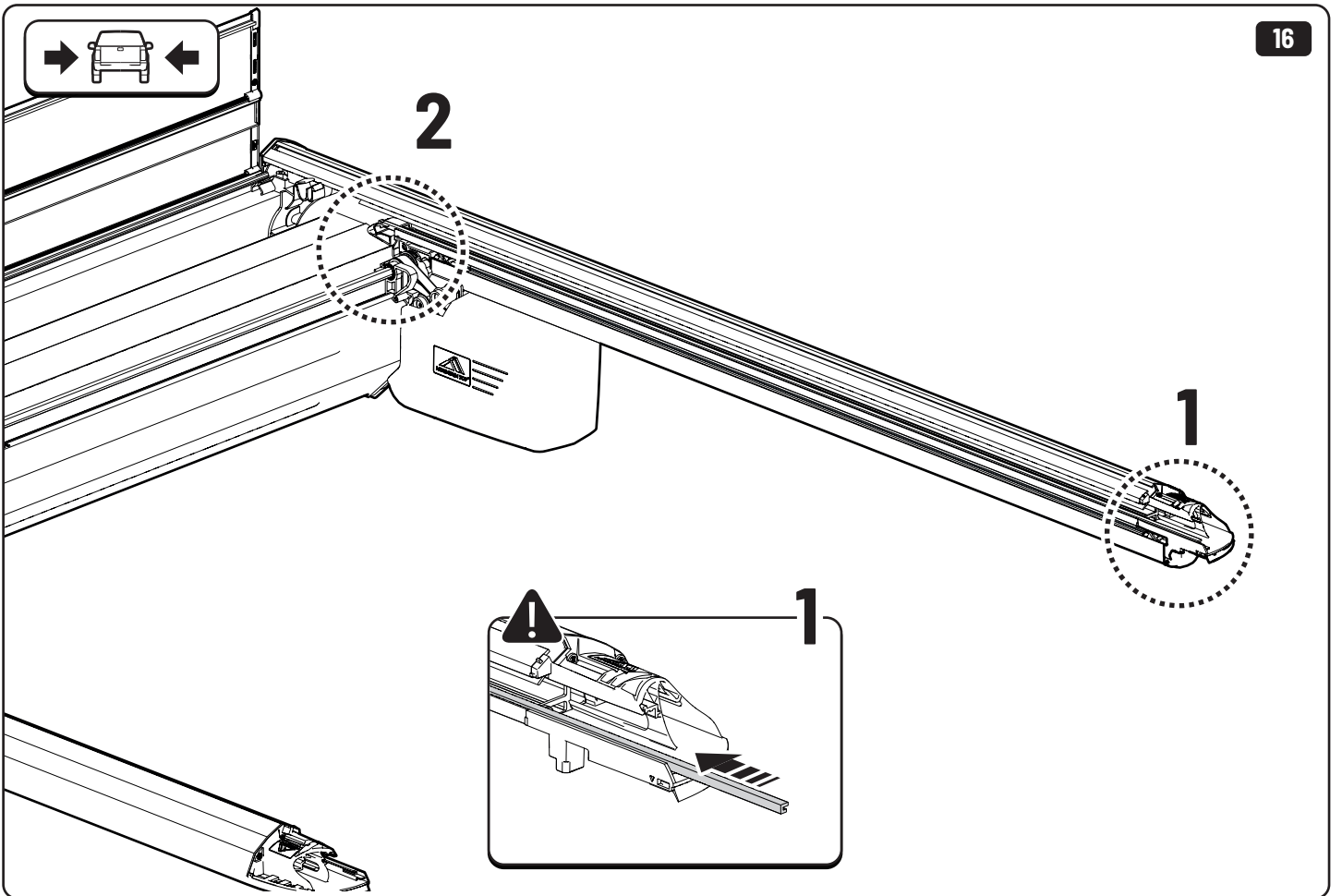
T30

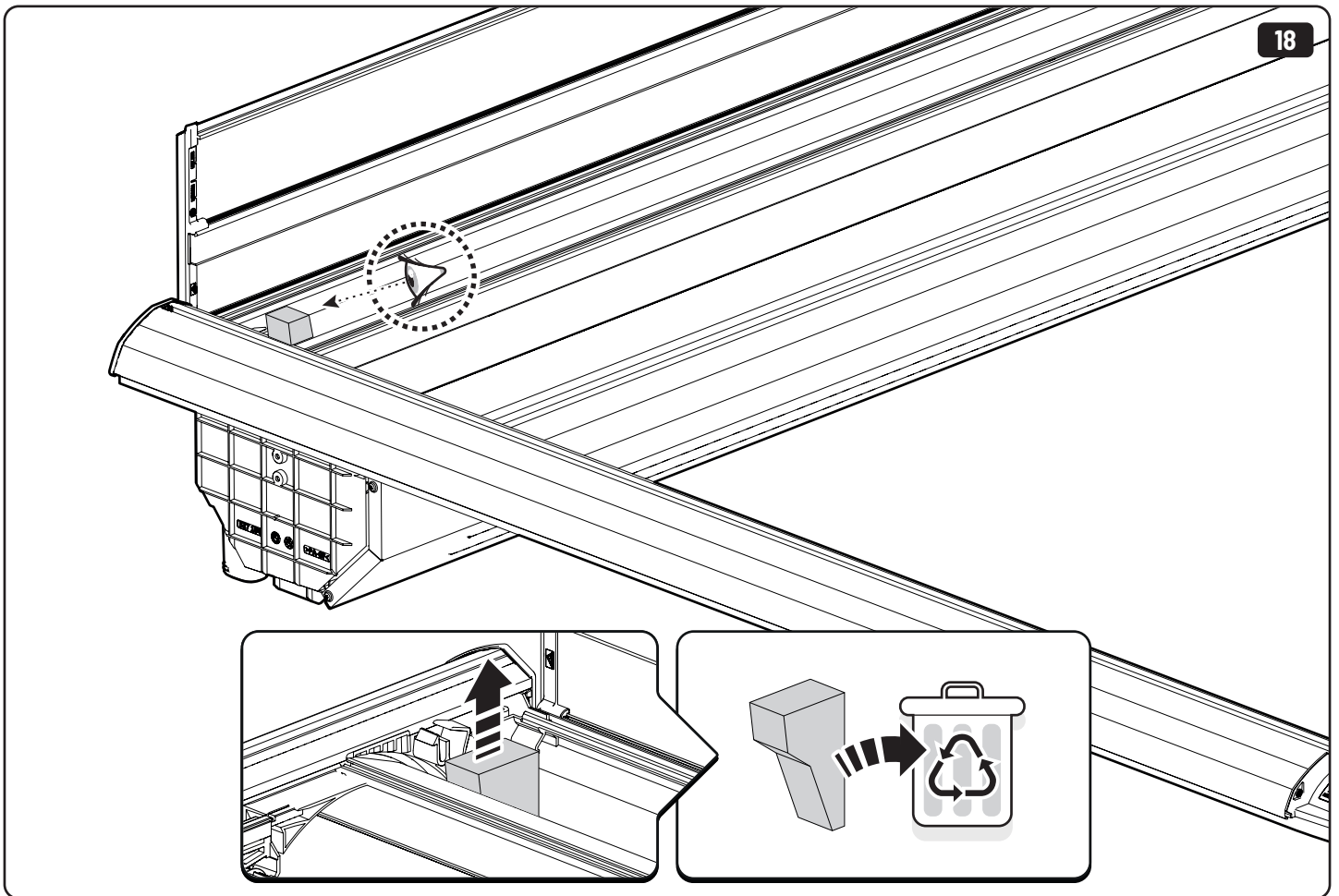
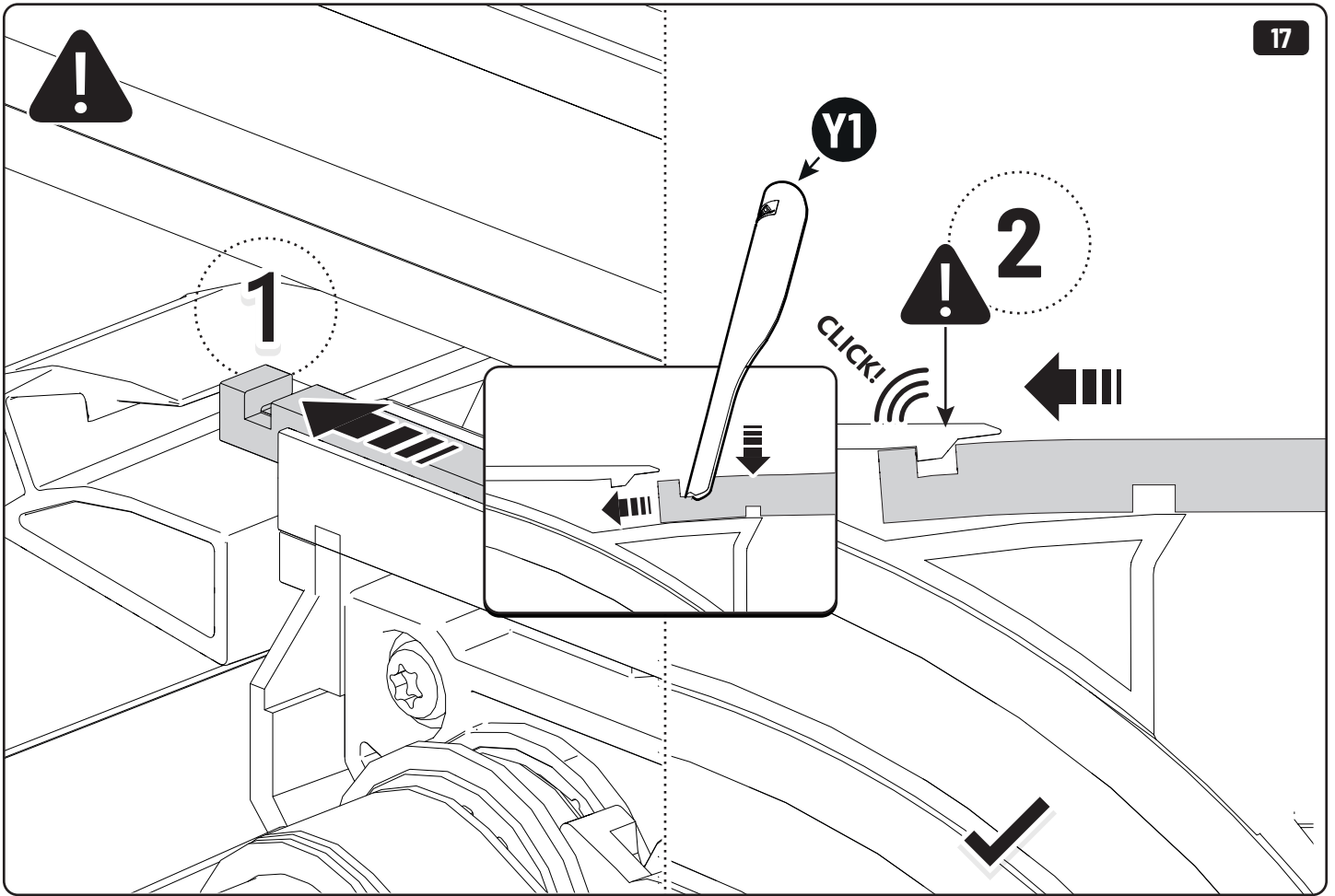
4,8Nm

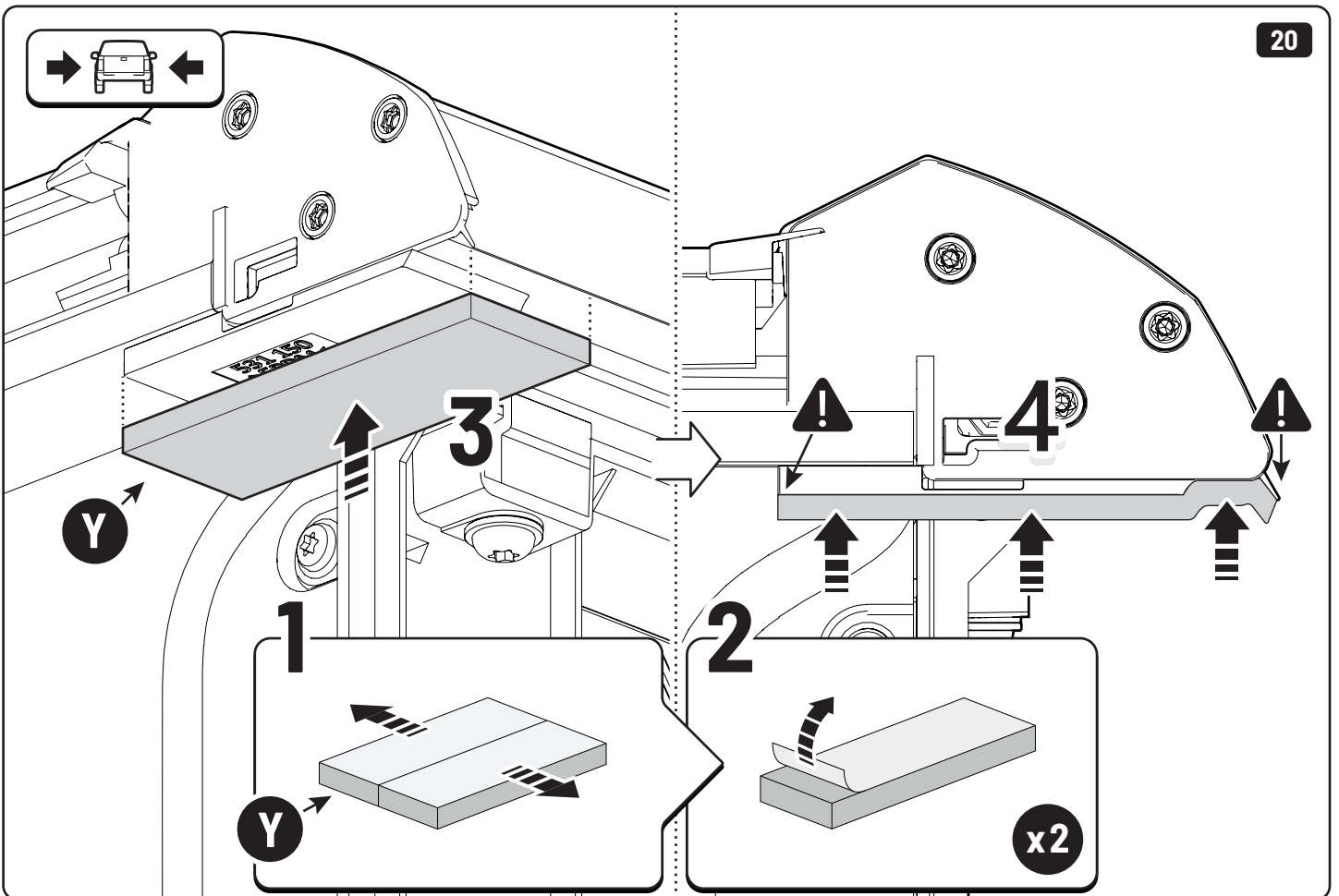
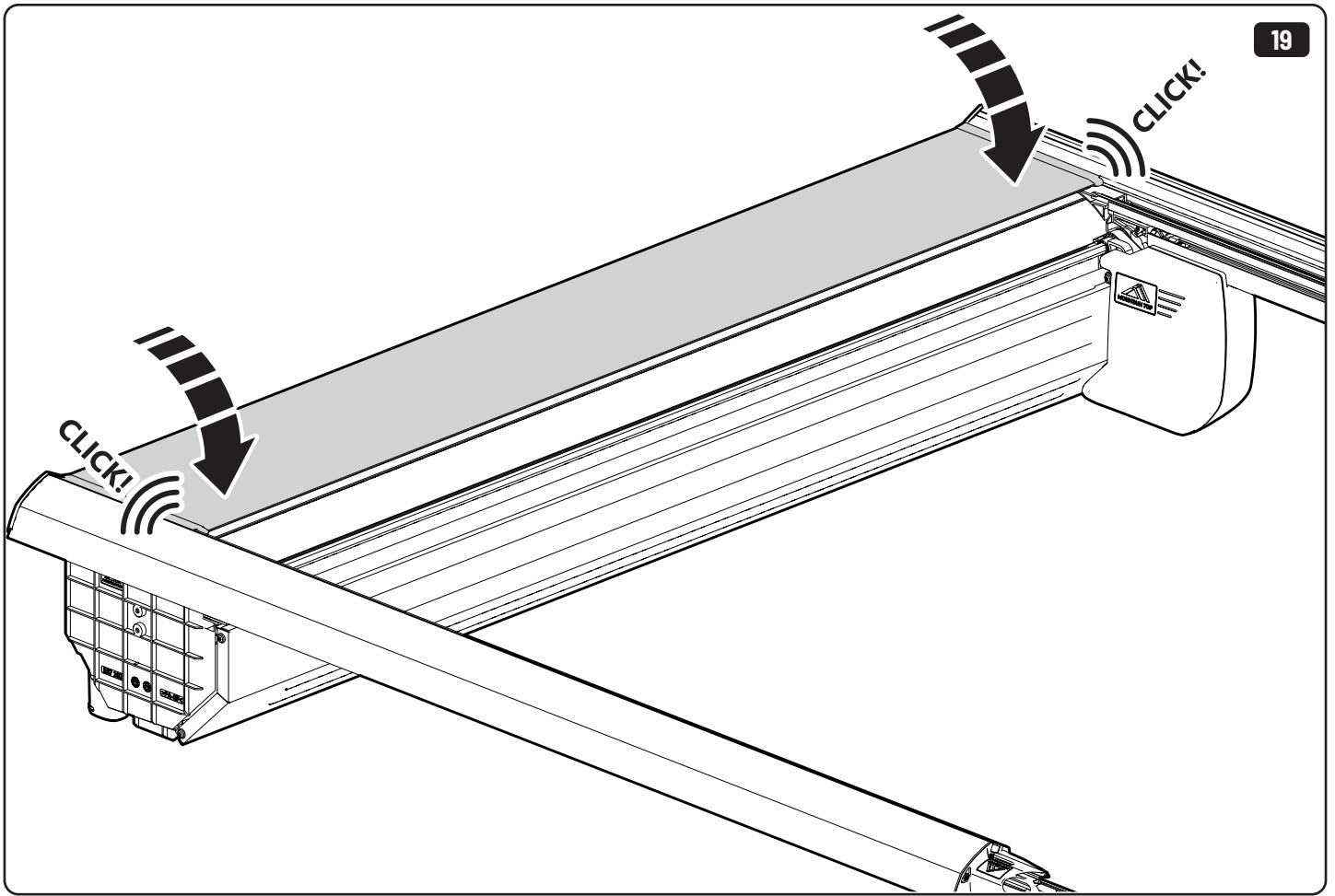
15



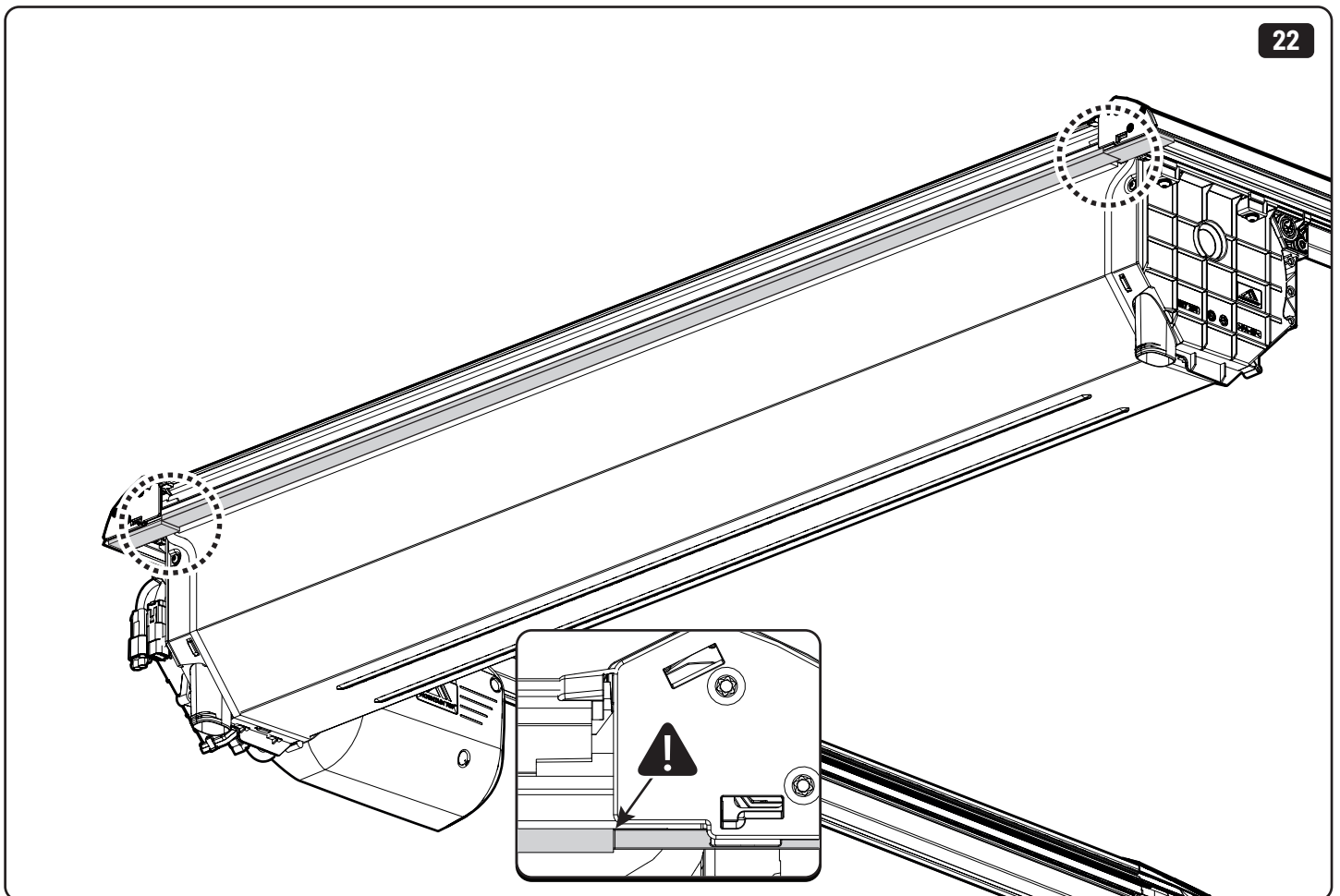
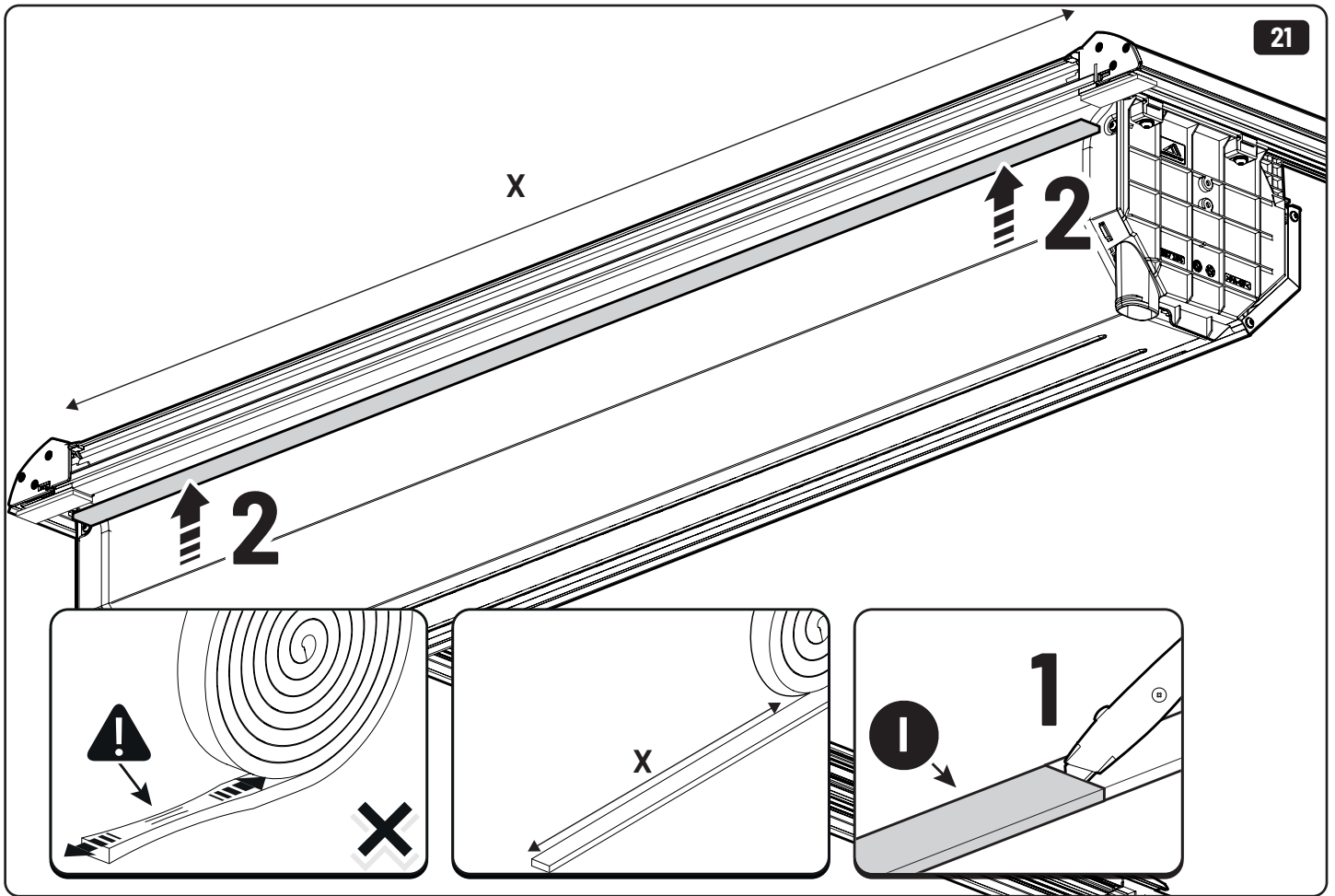
16

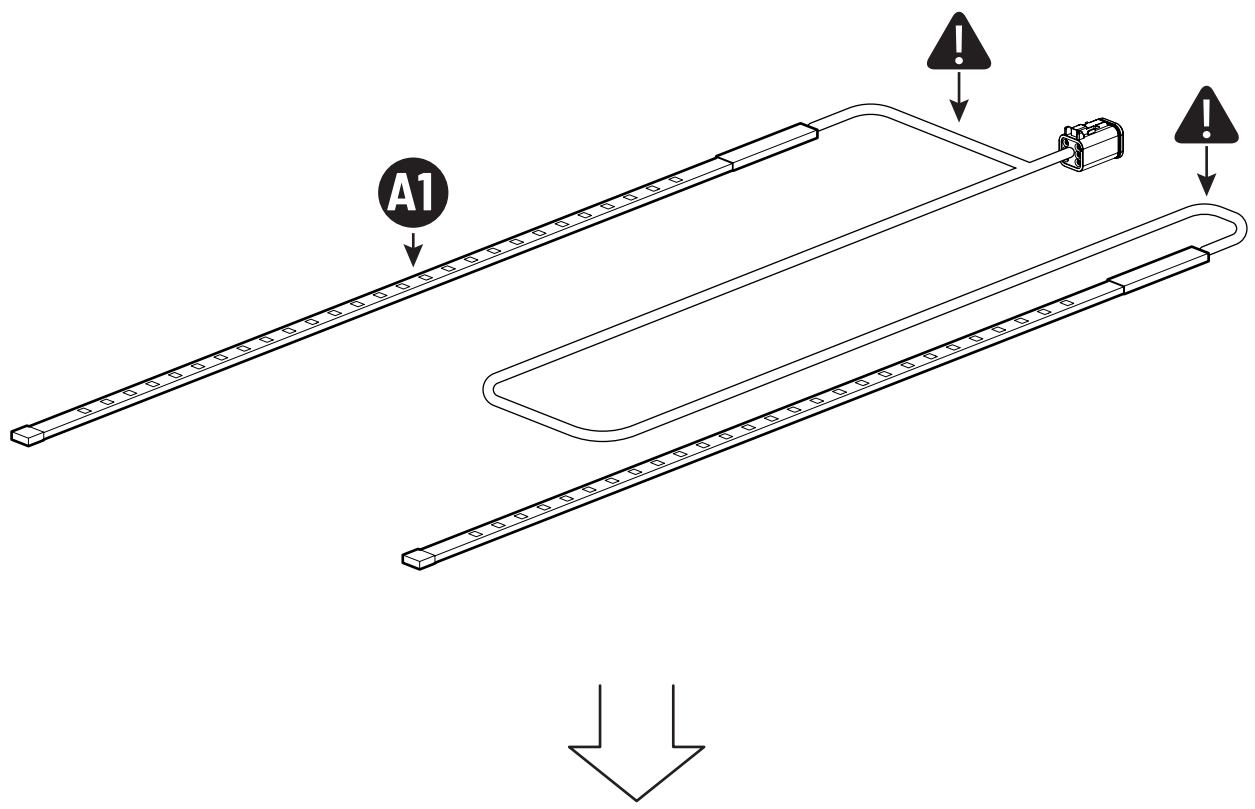
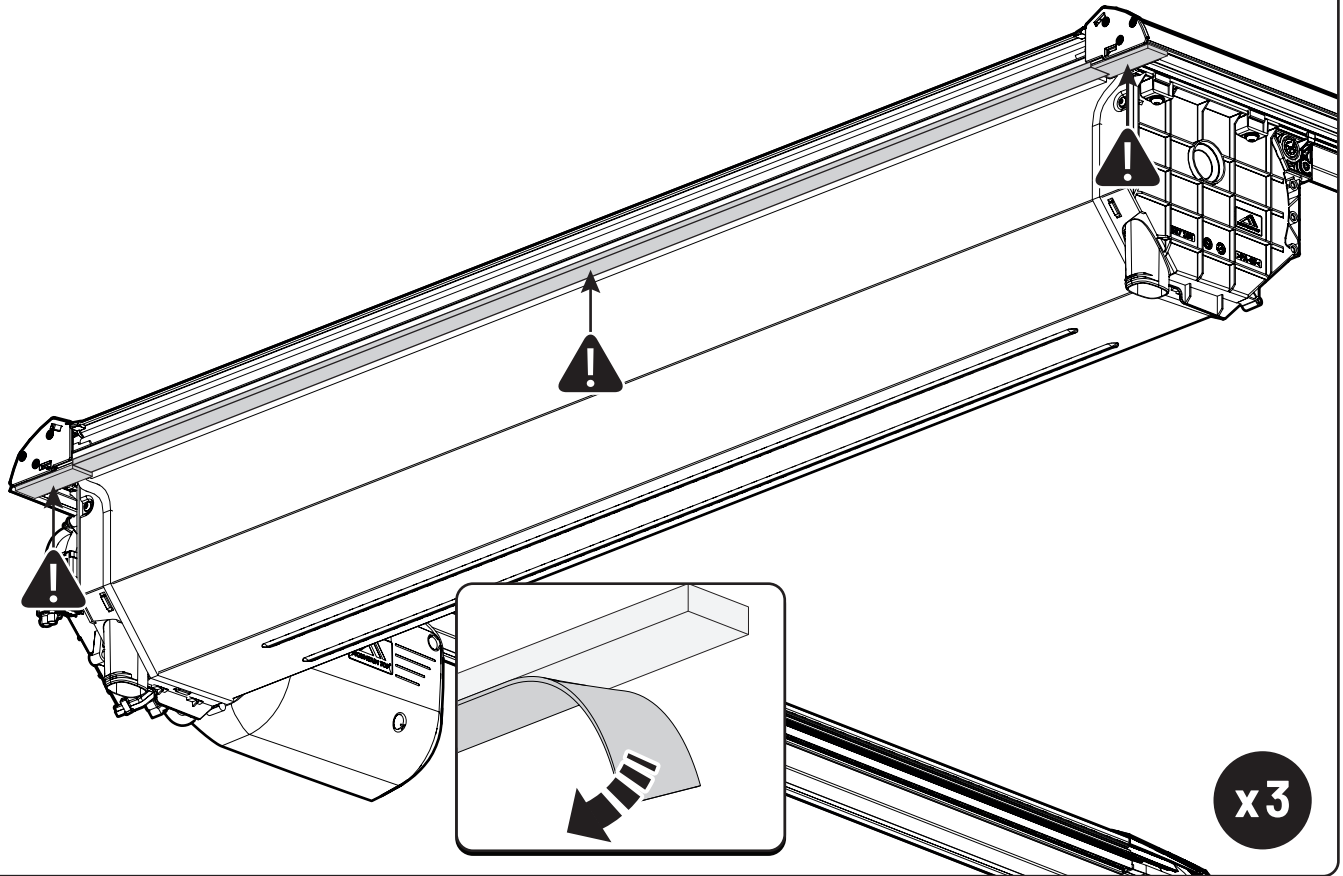


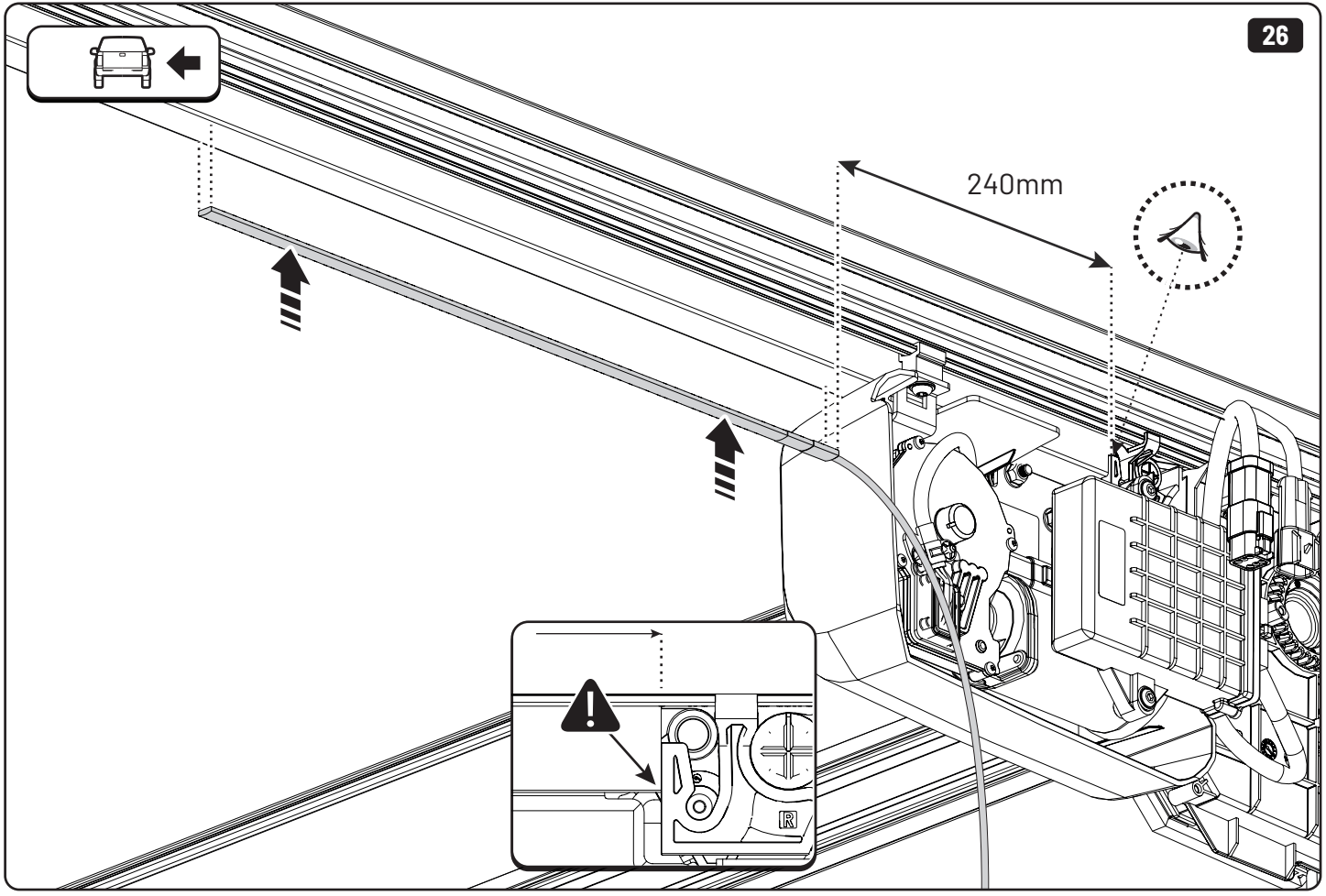
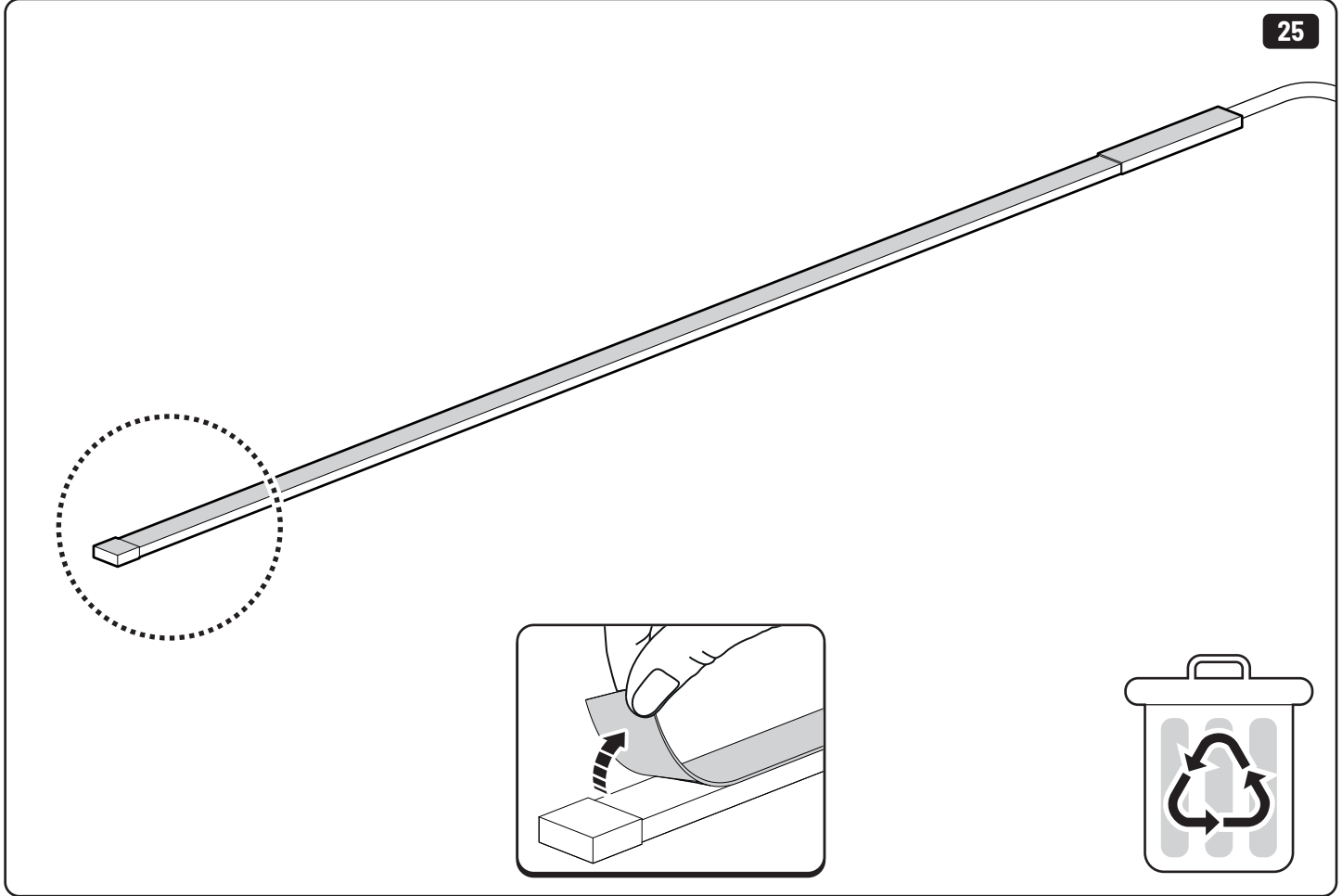


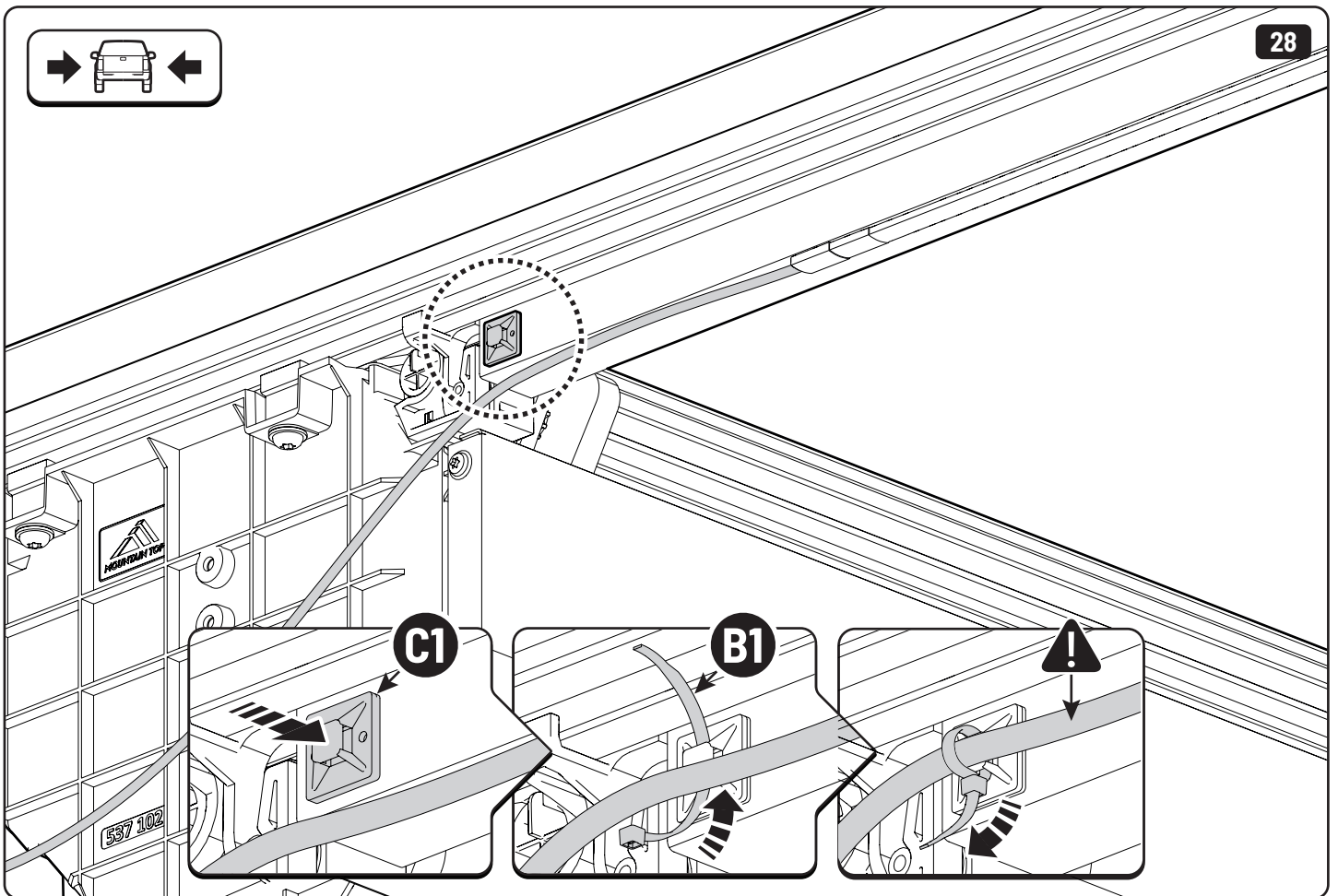
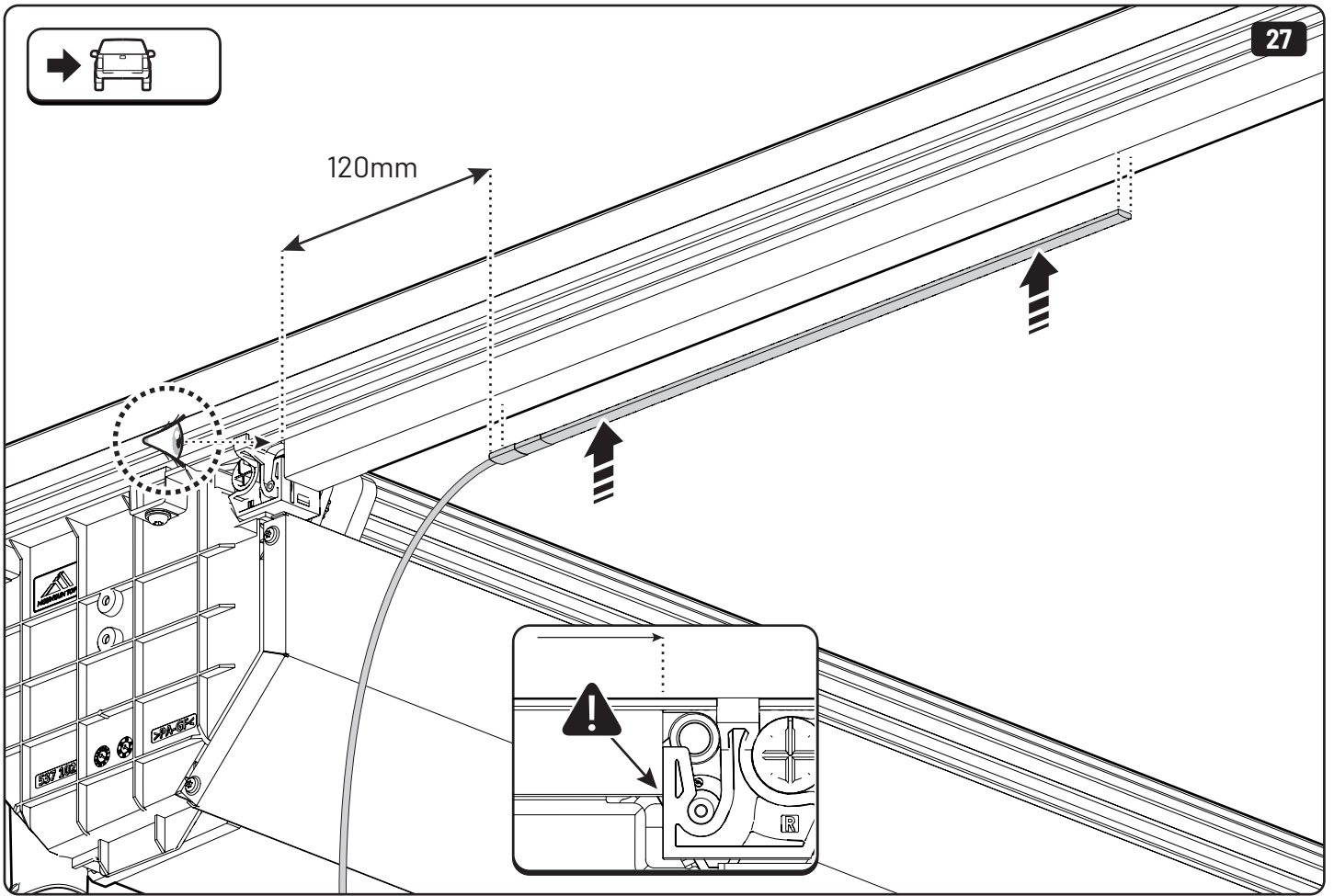


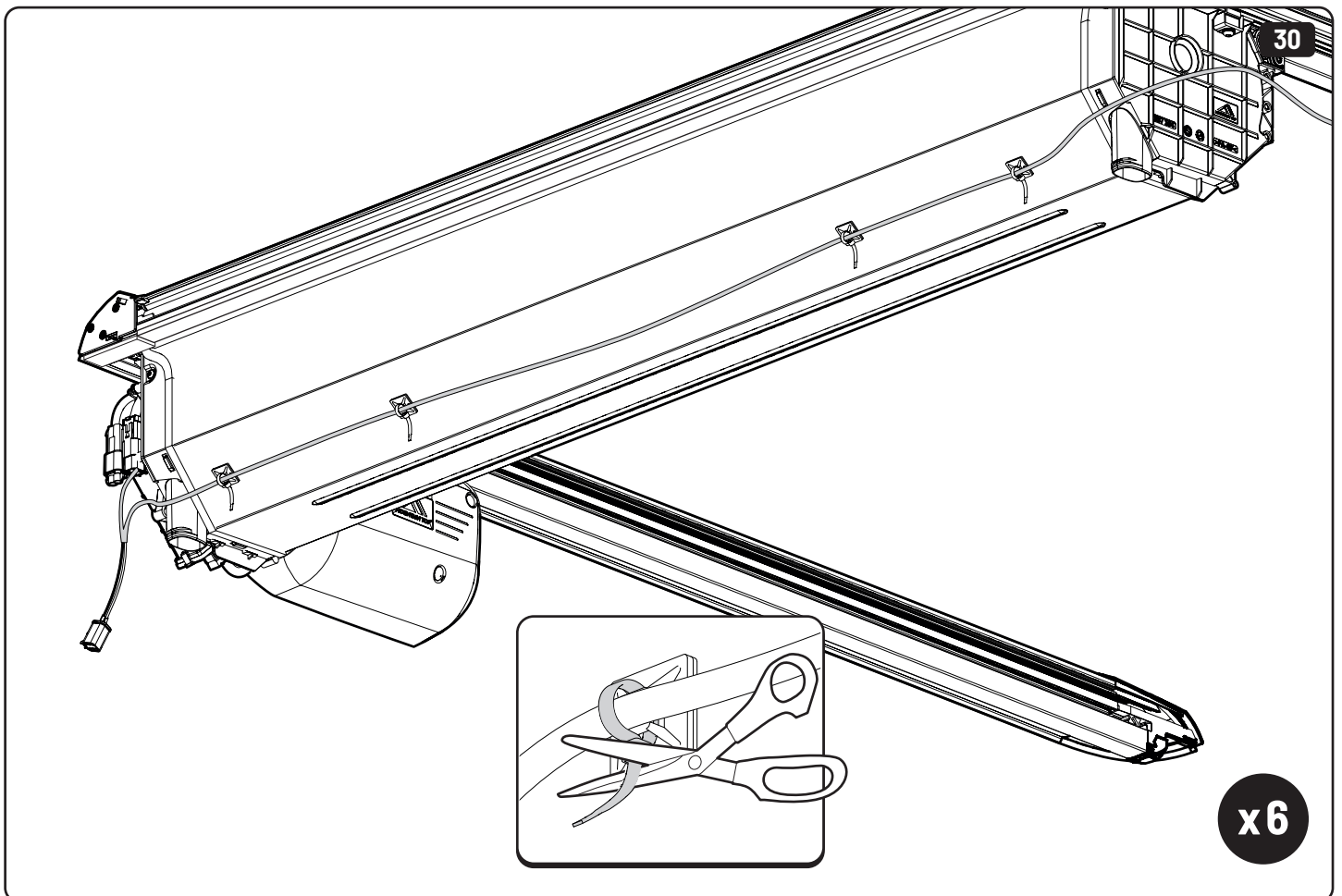
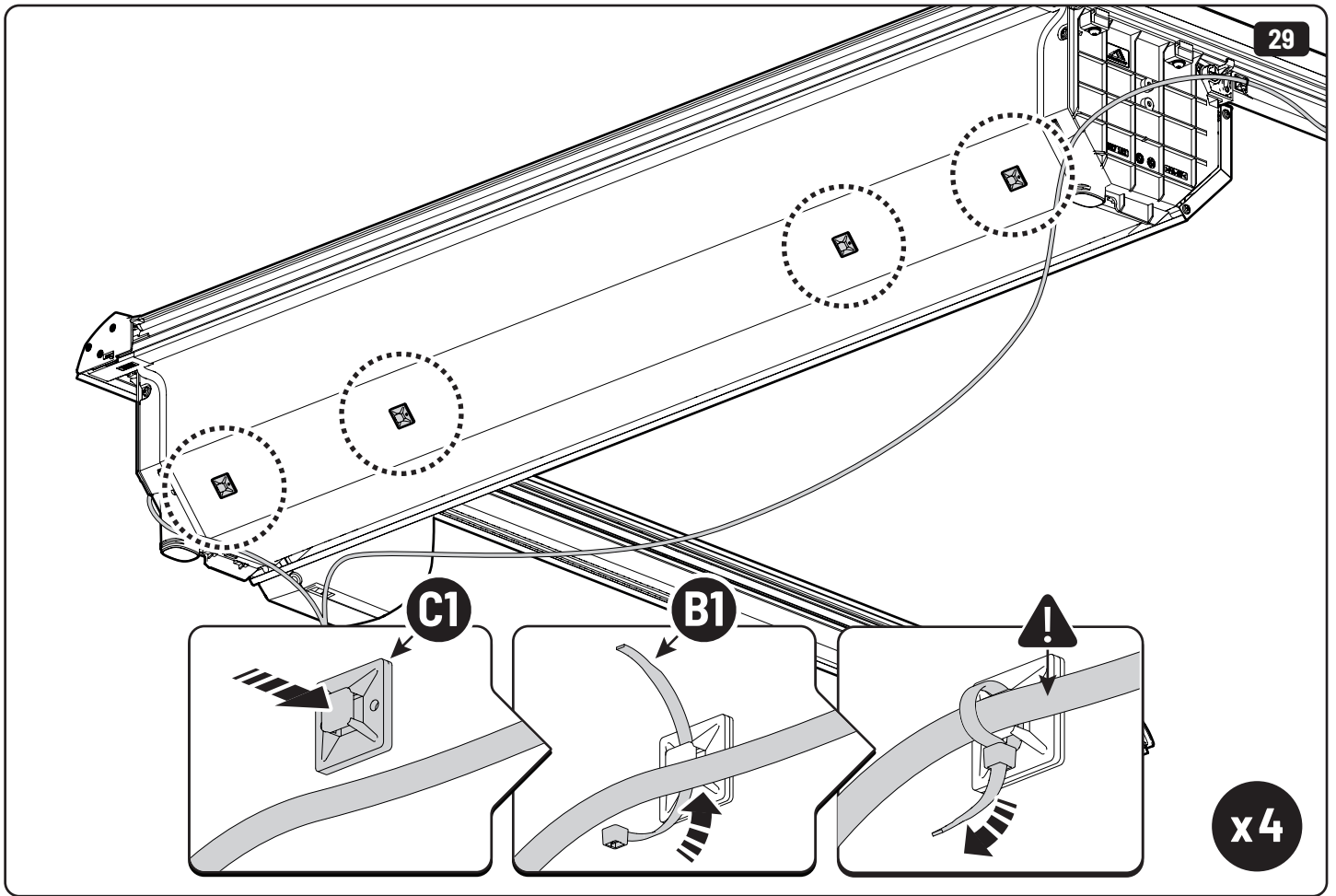


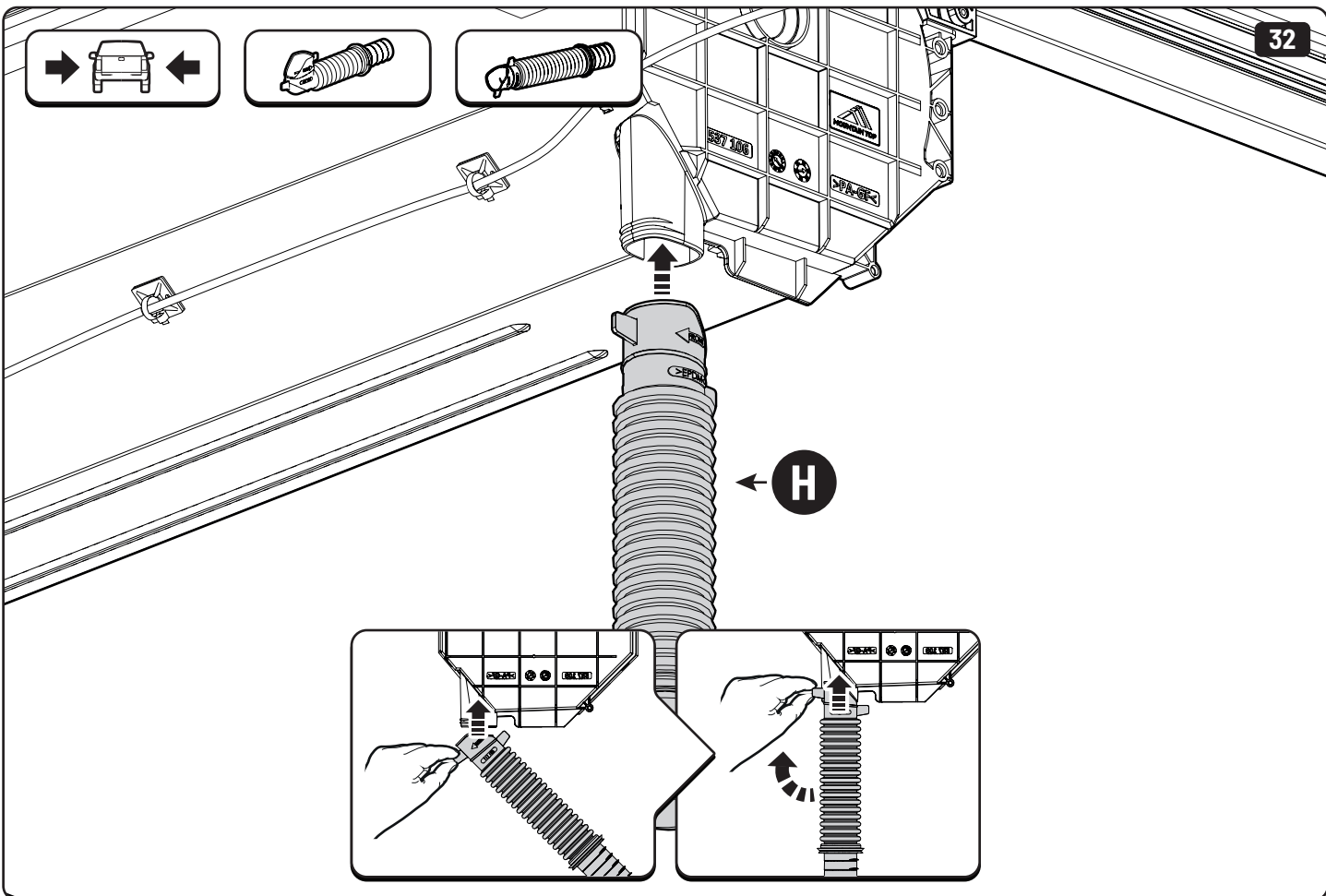
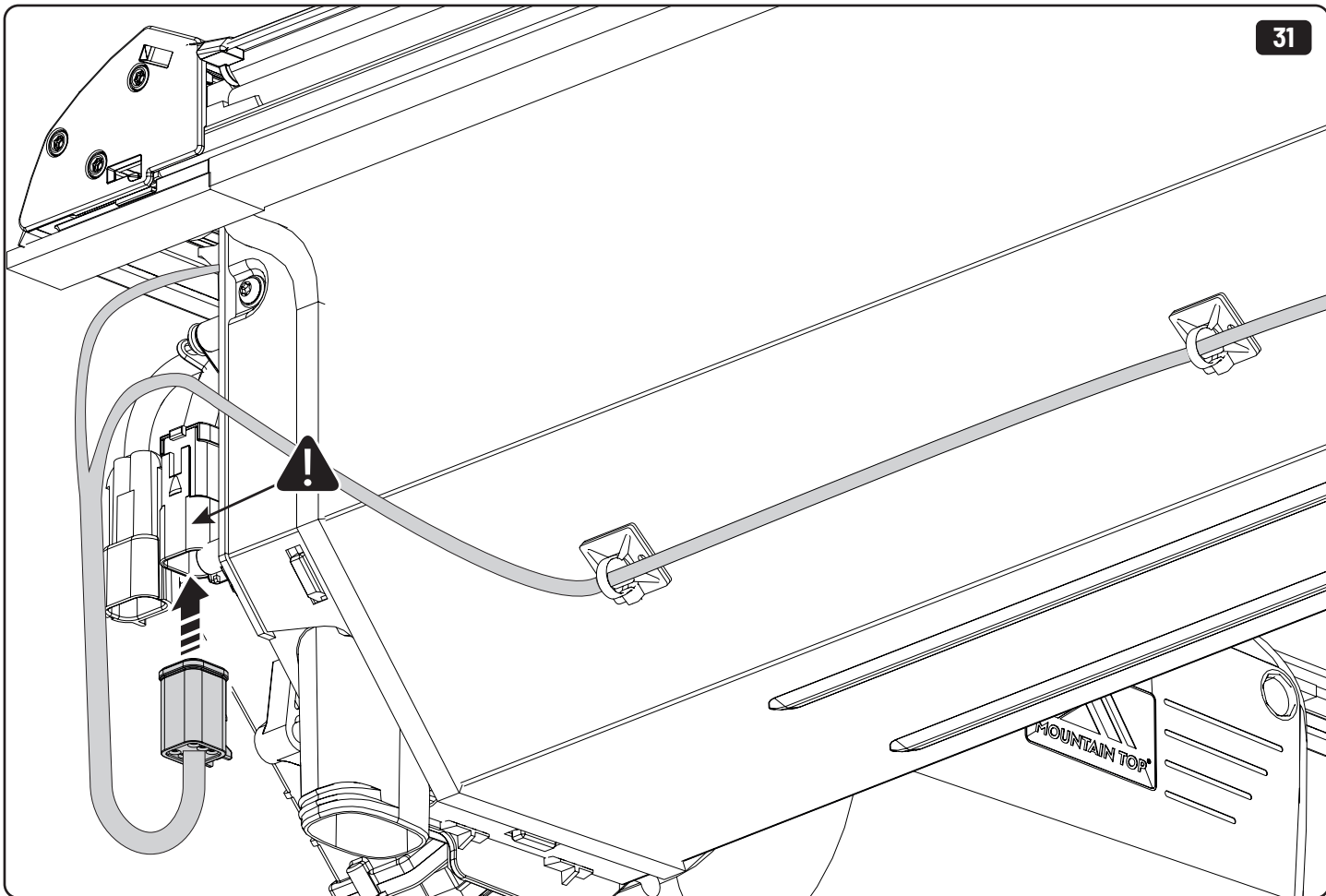












Isuzu 10+11

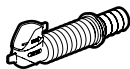
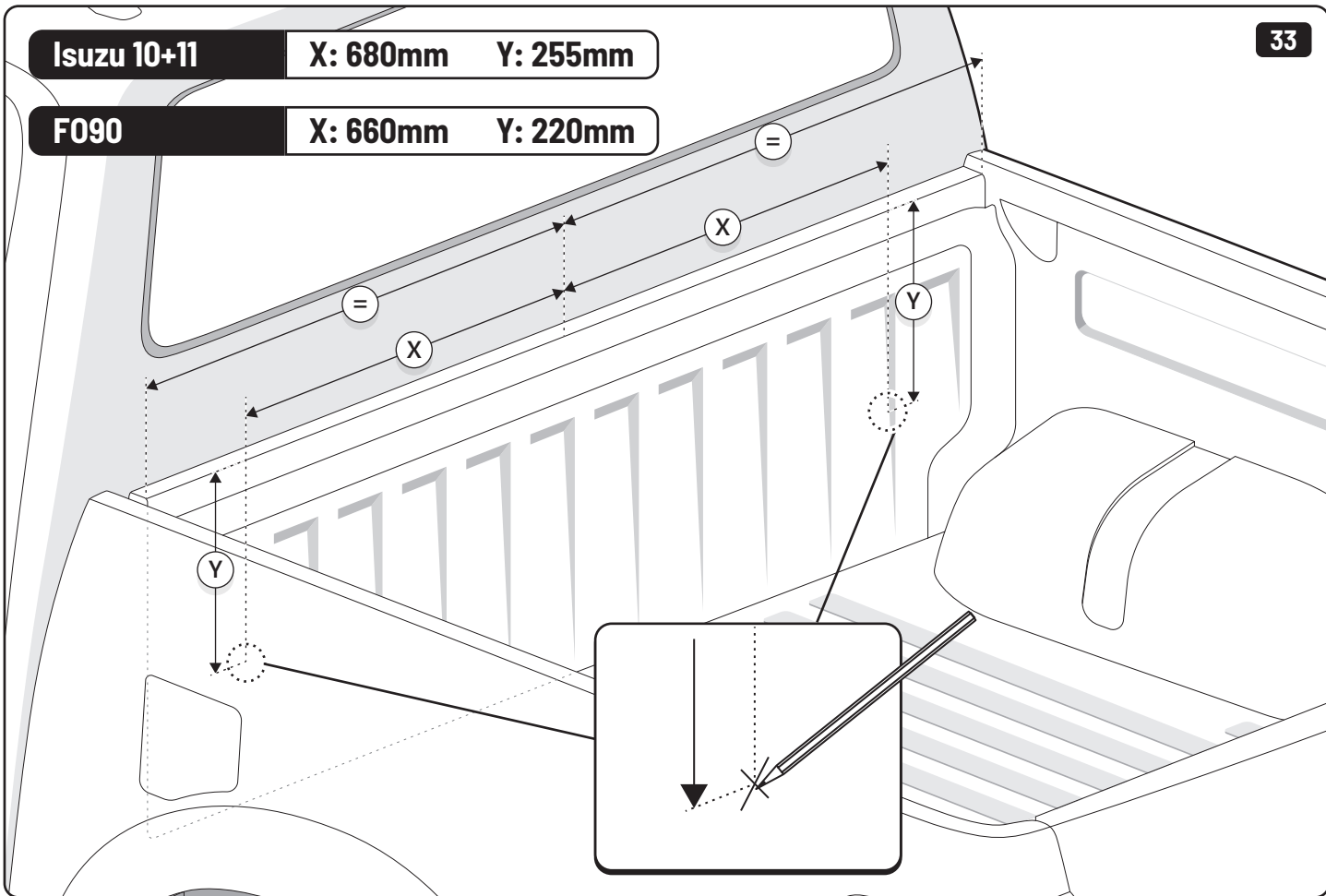
X: 680mm

Y: 255mm

F090

X: 660mm

Y: 220mm



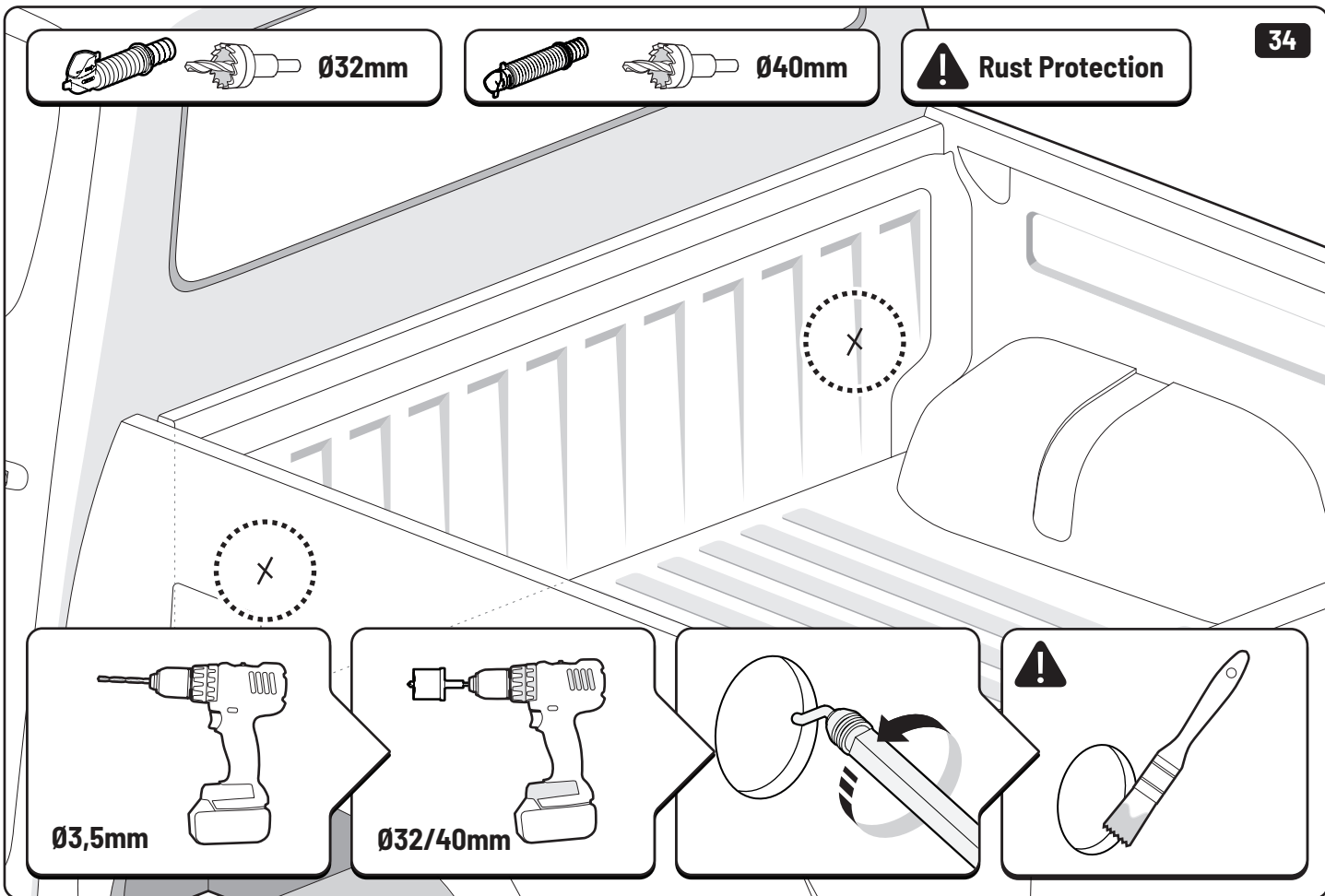
Ø32mm



Ø40mm

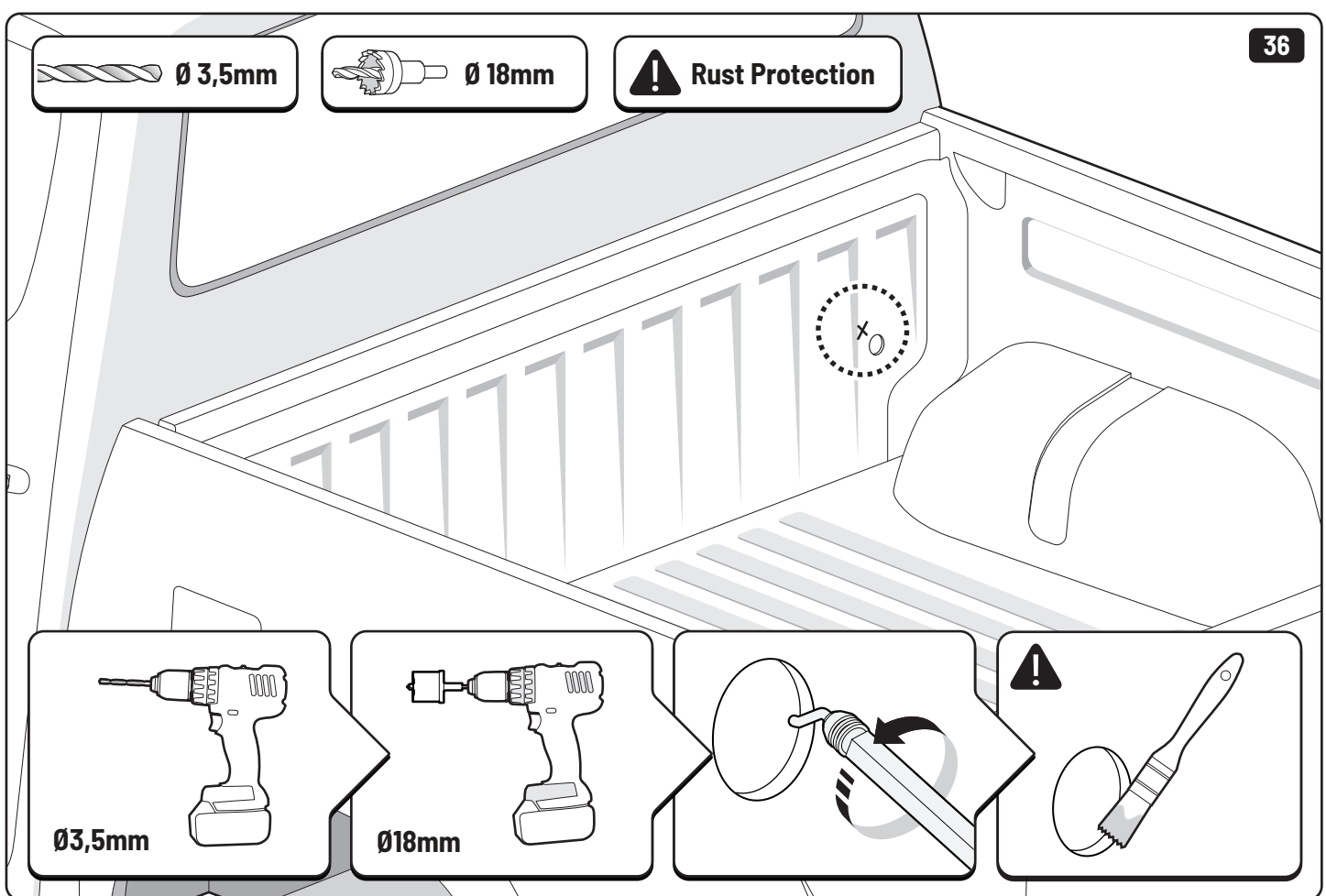
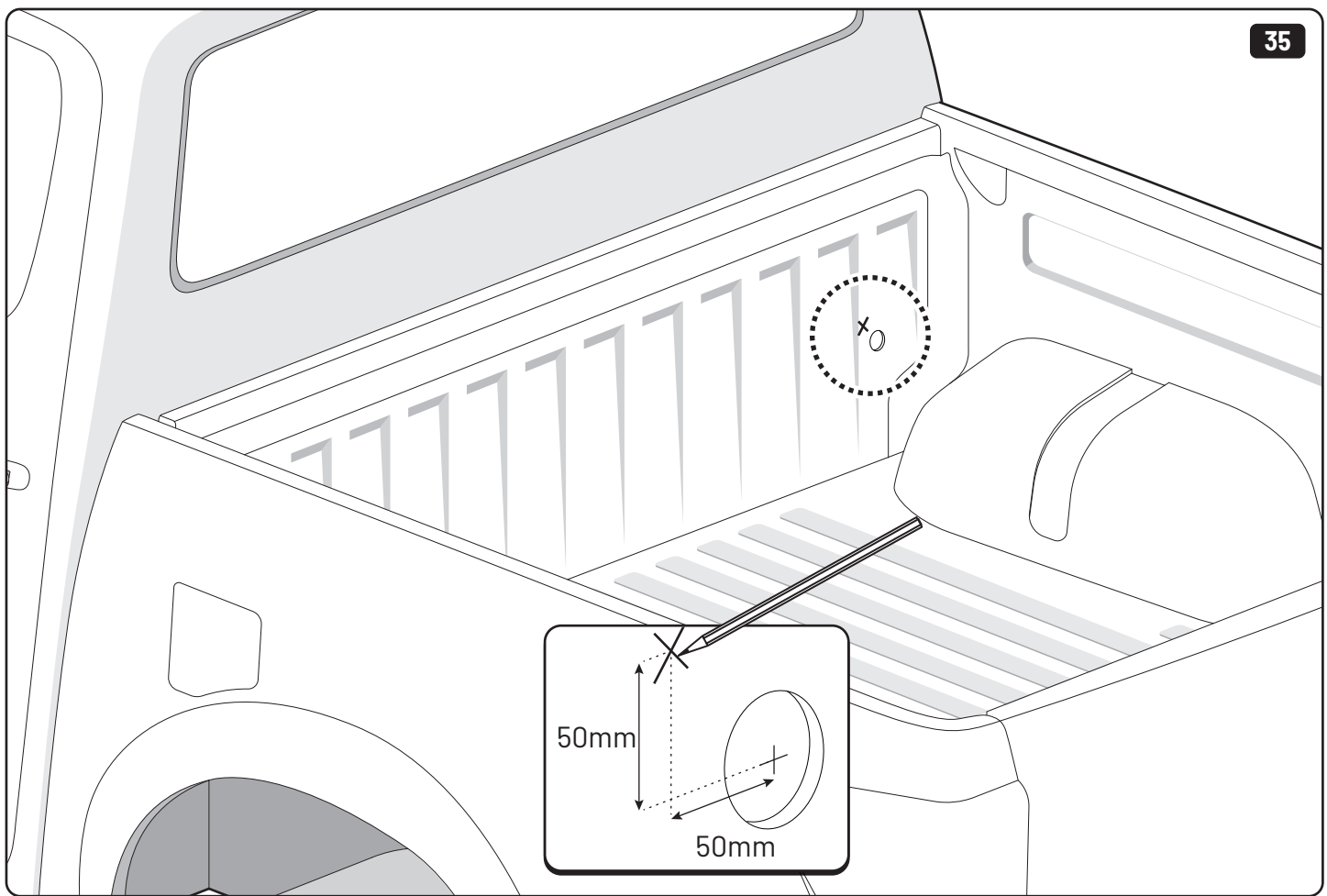


Rust Protection

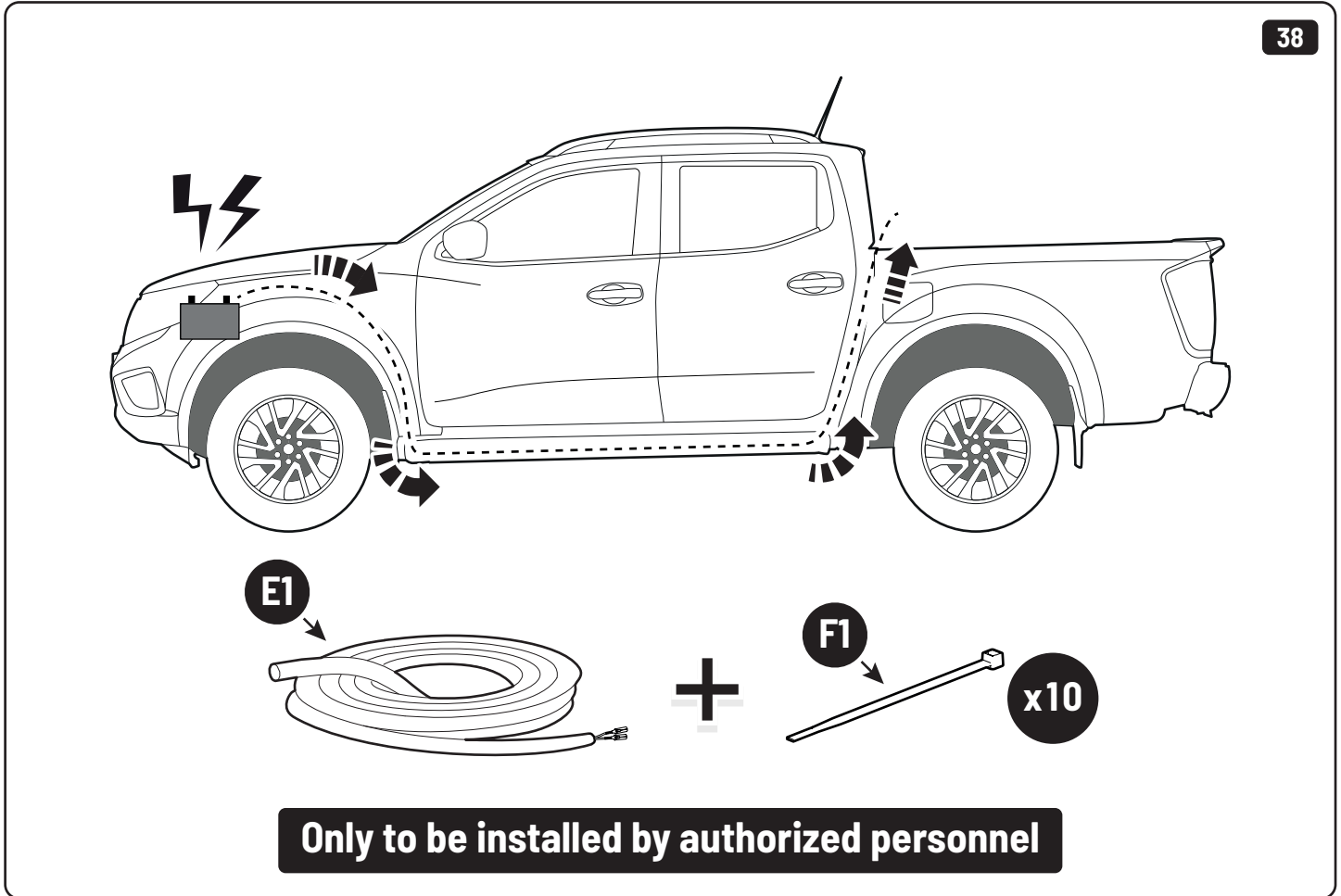
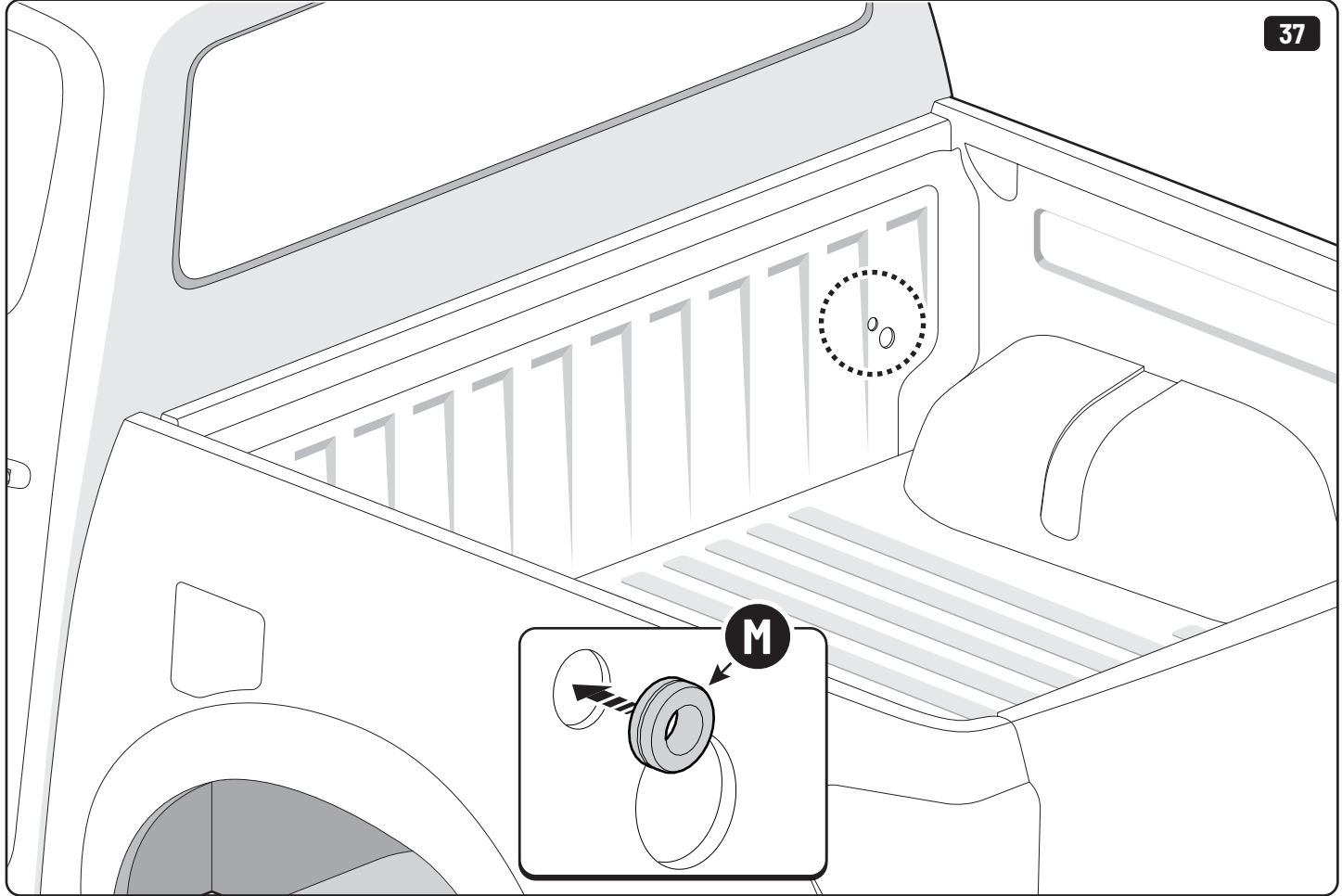


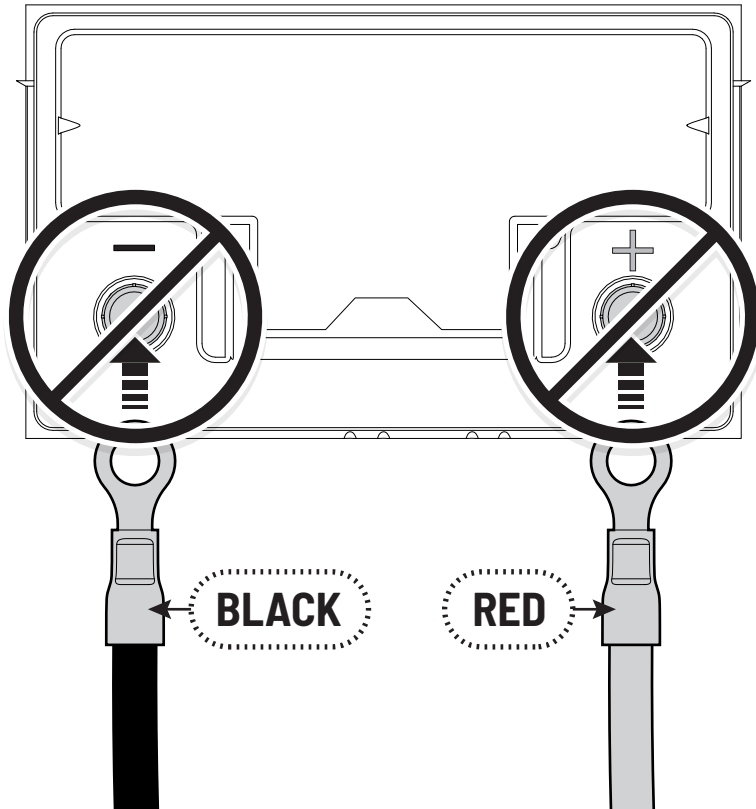
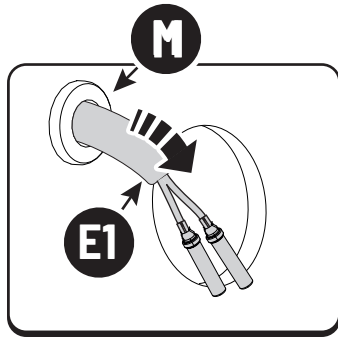
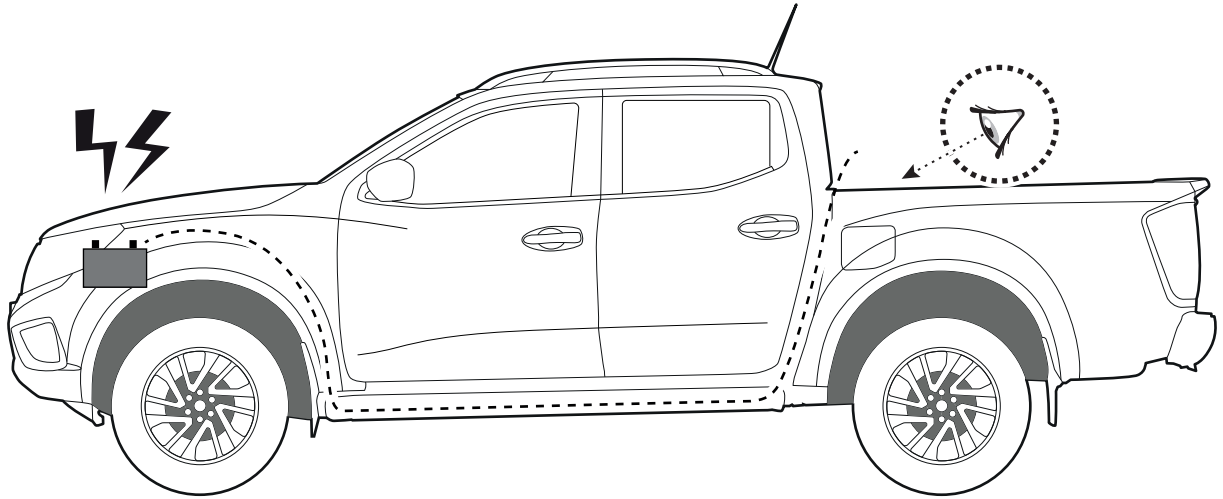
Ø3,5mm

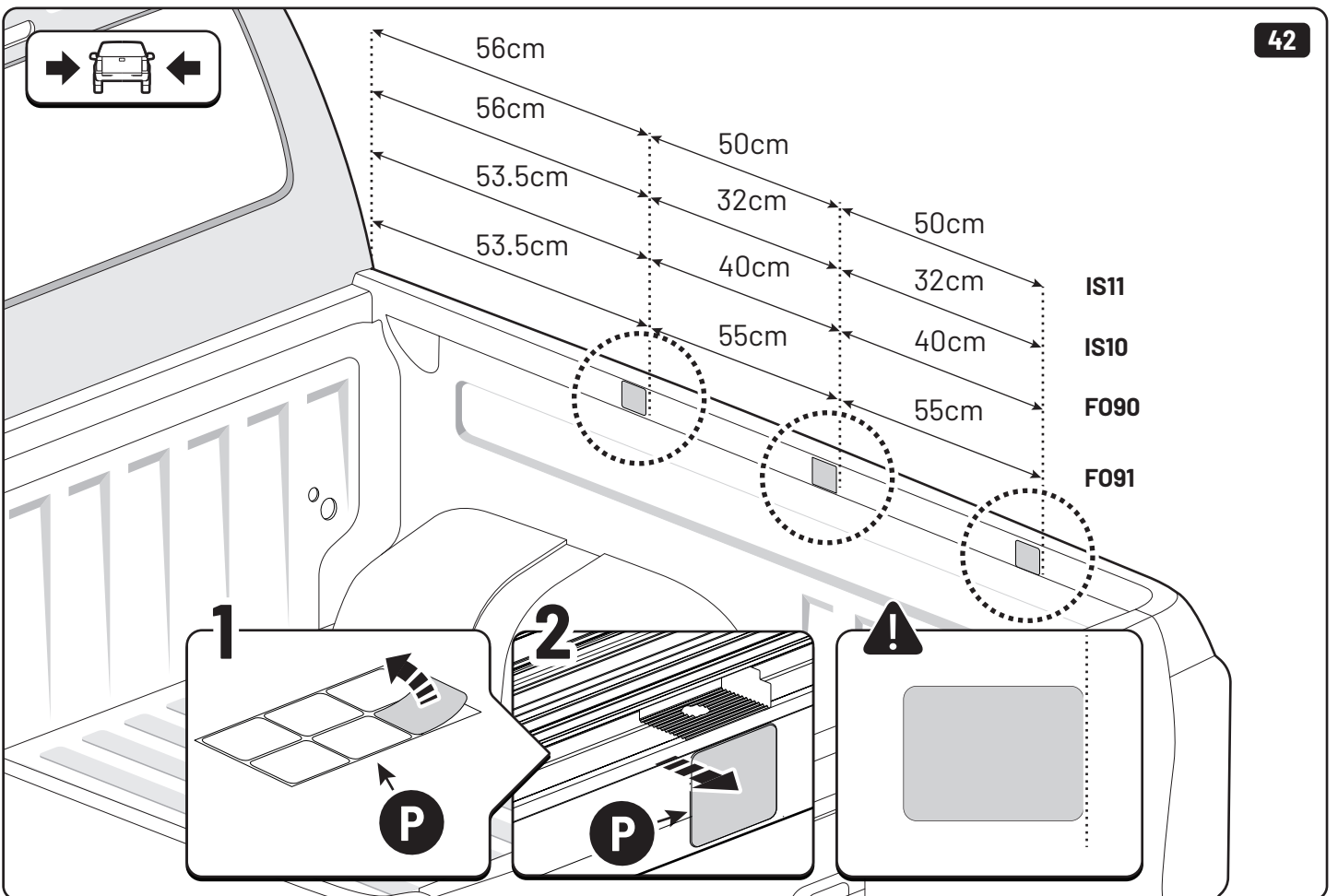
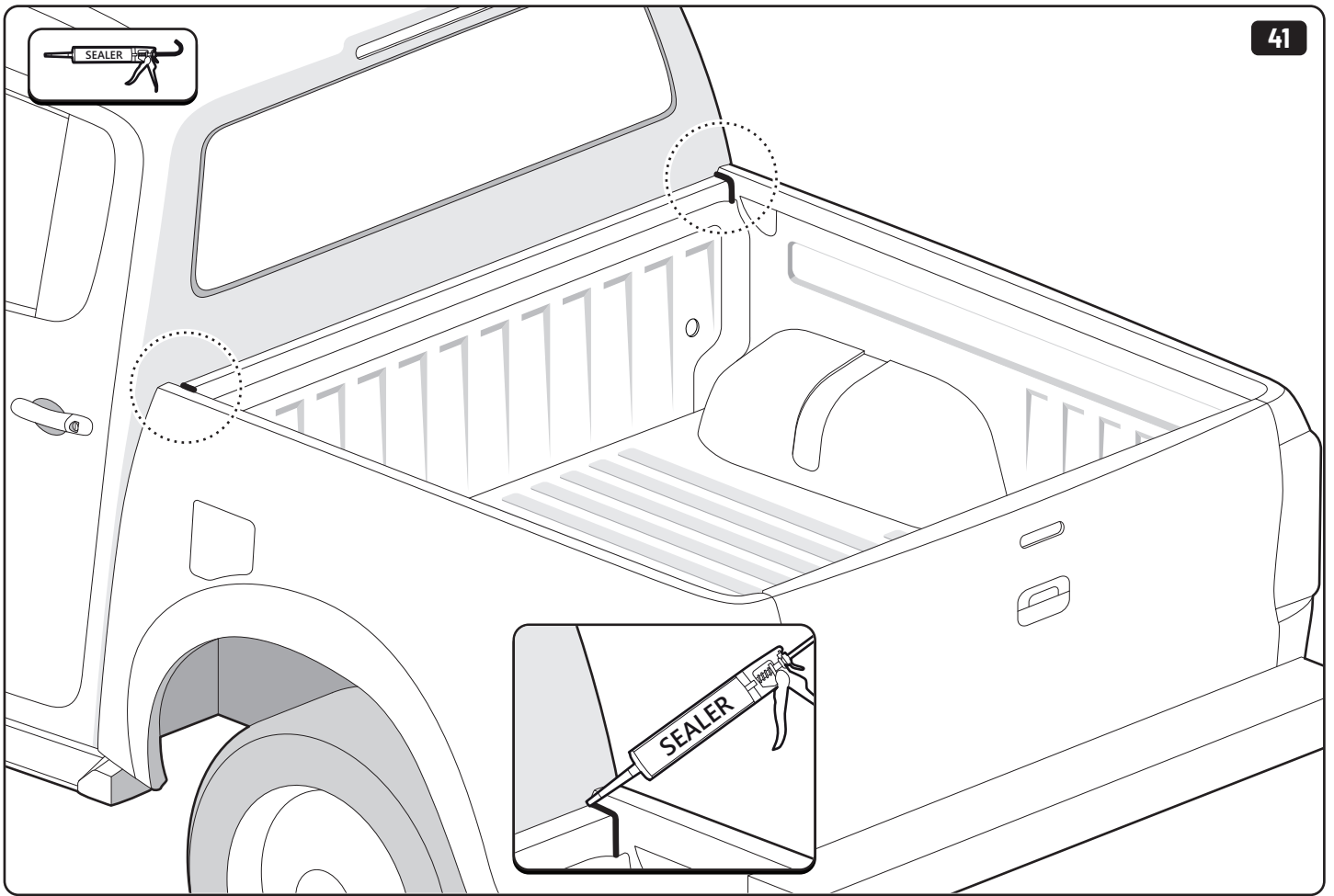
Ø32/40mm

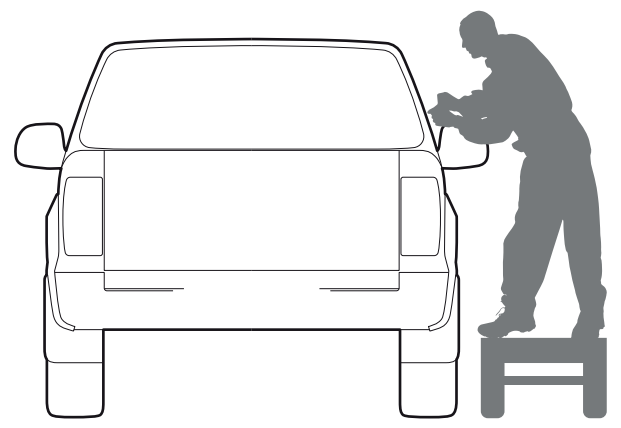
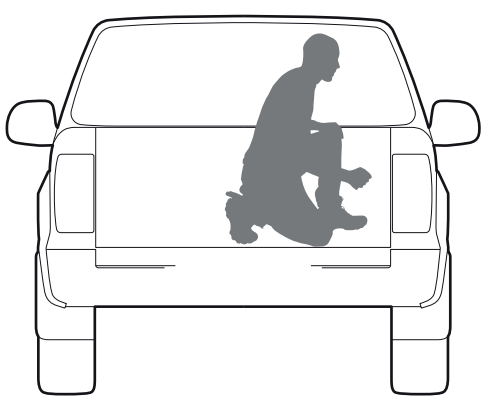
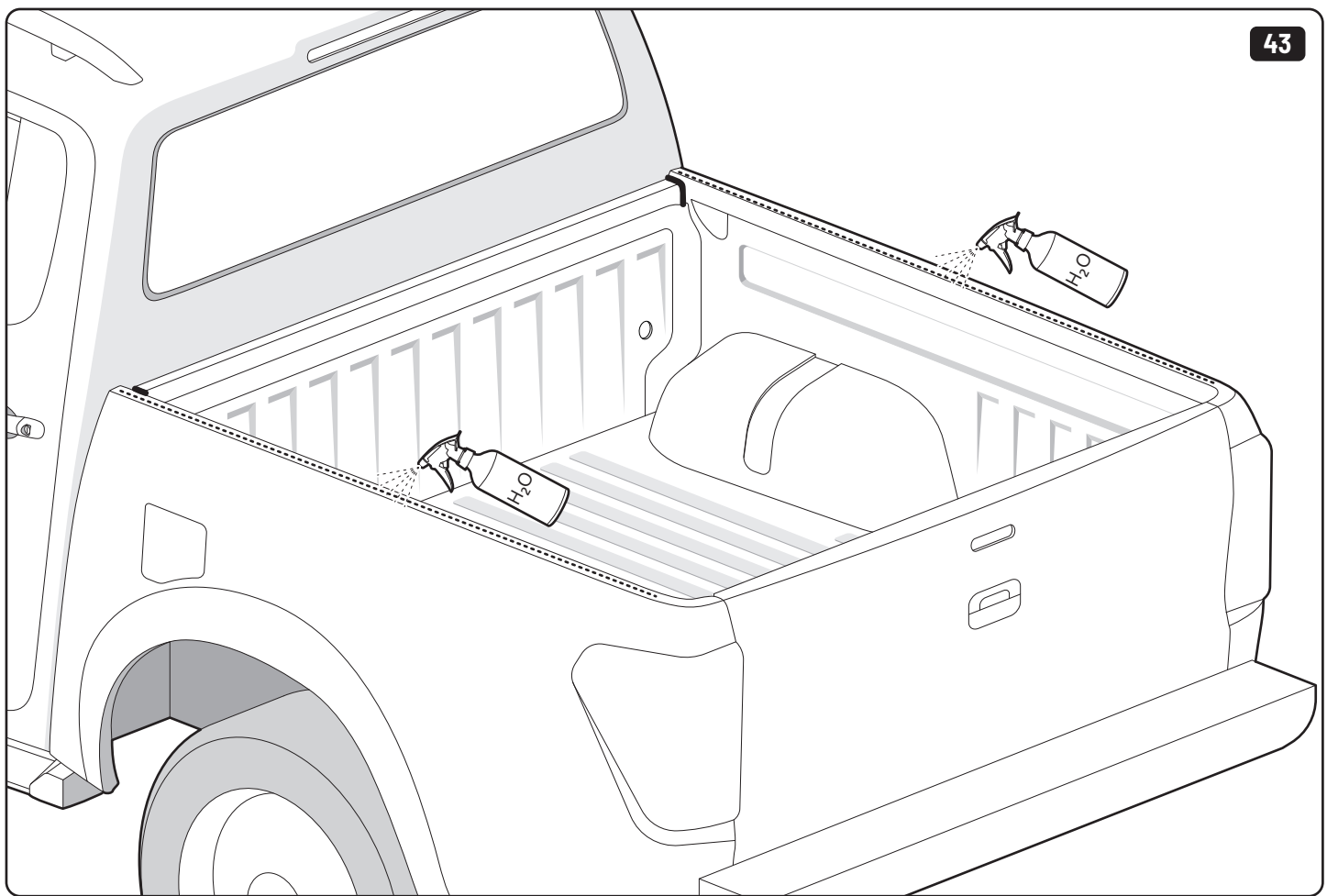


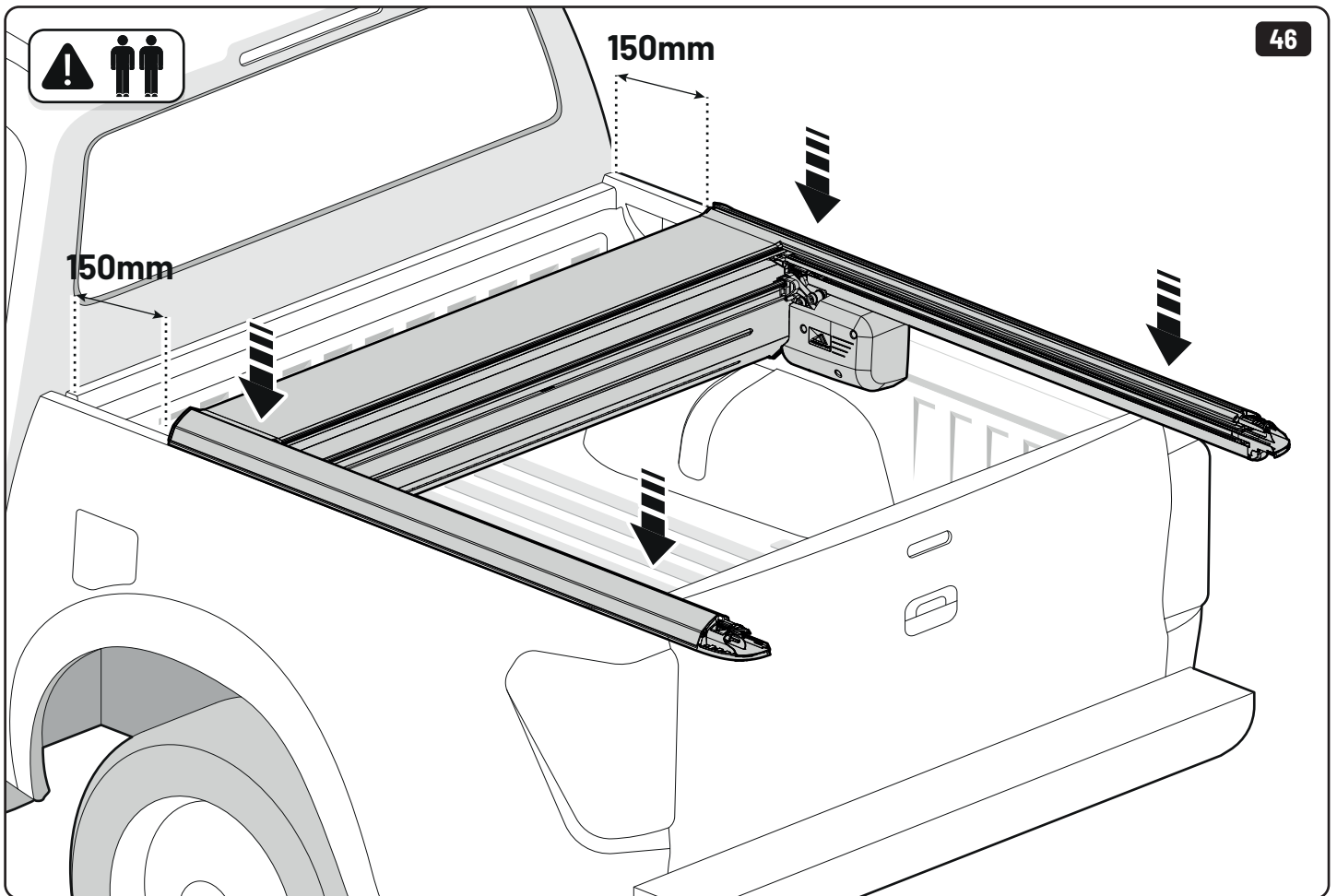
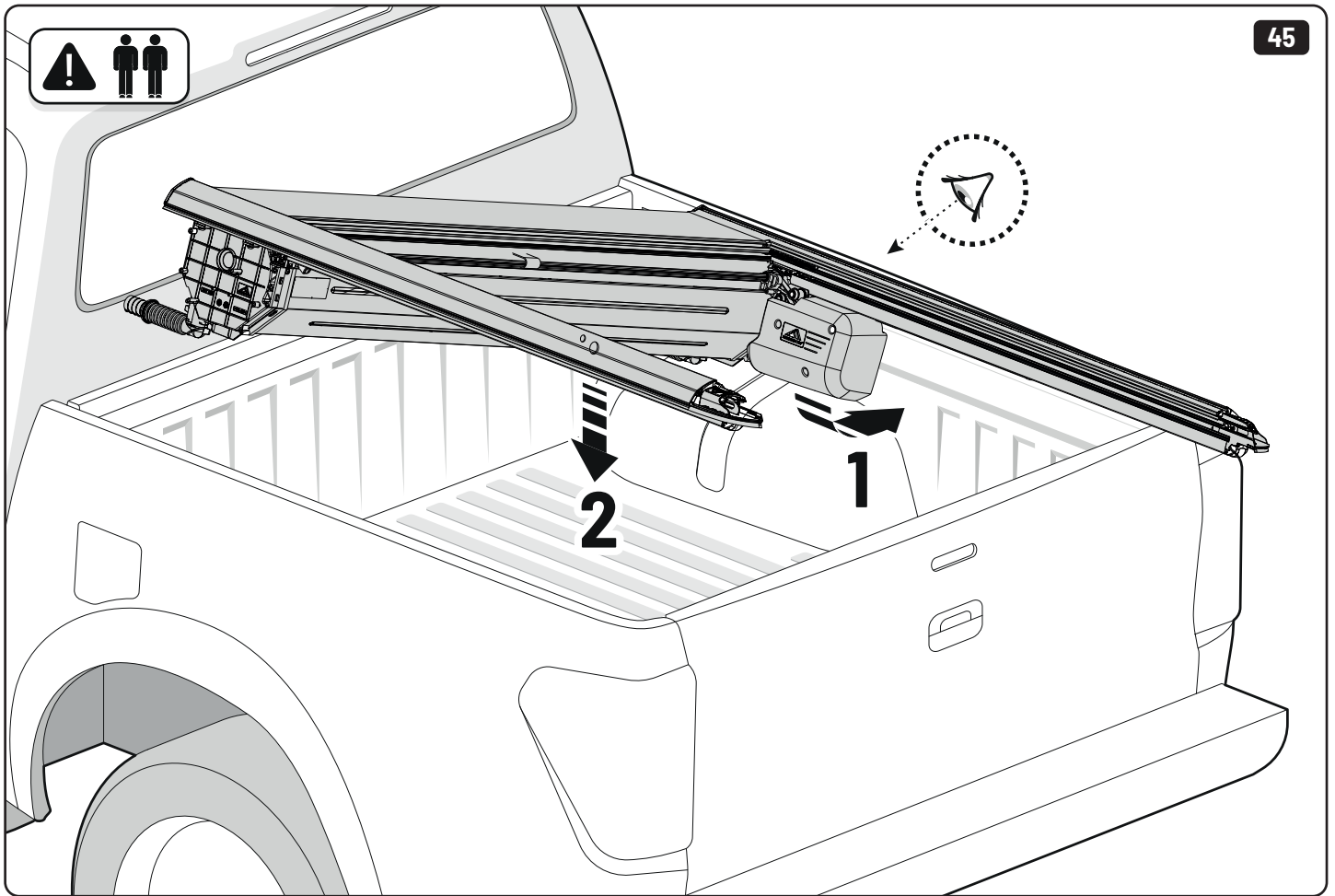


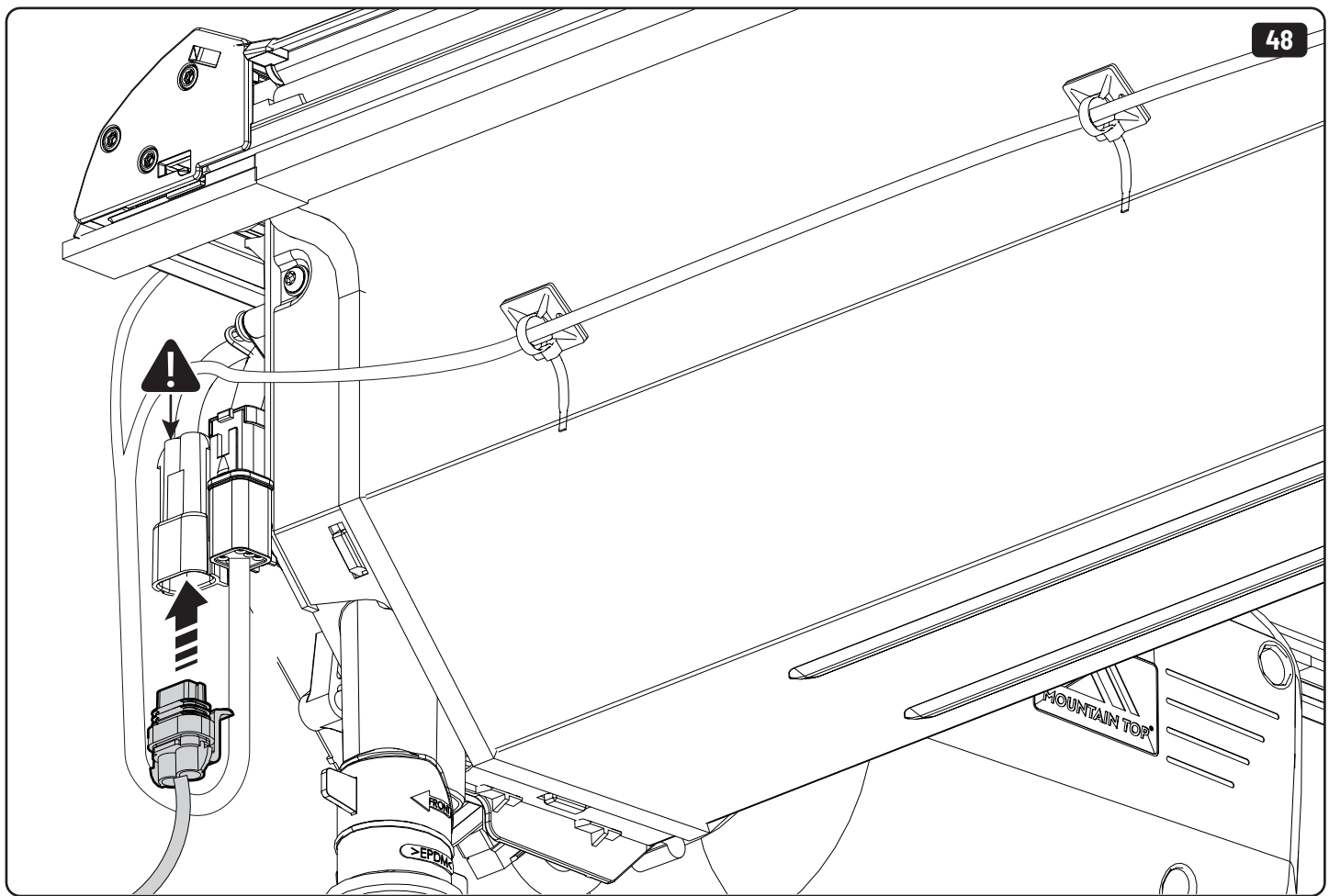
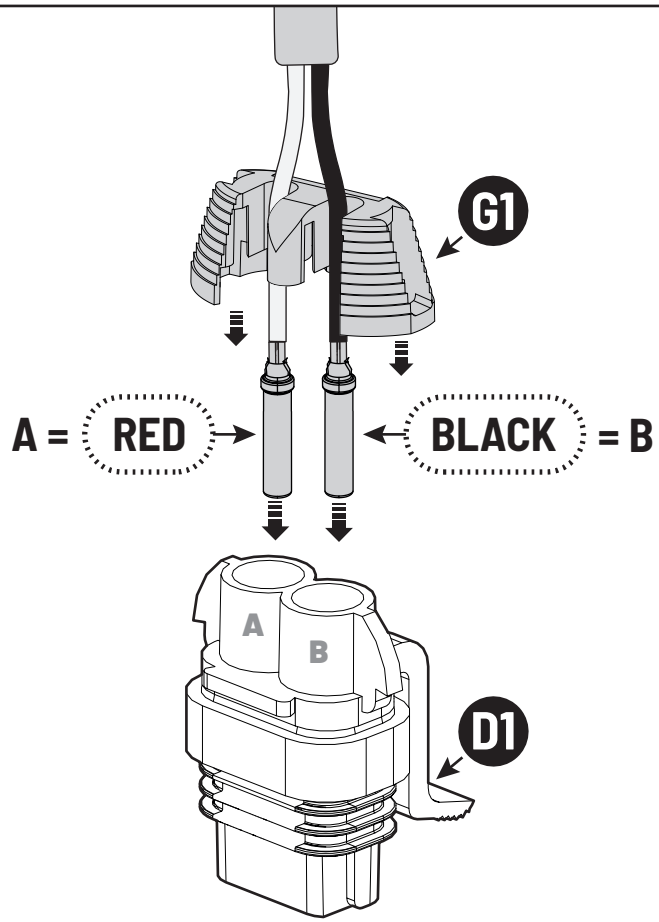


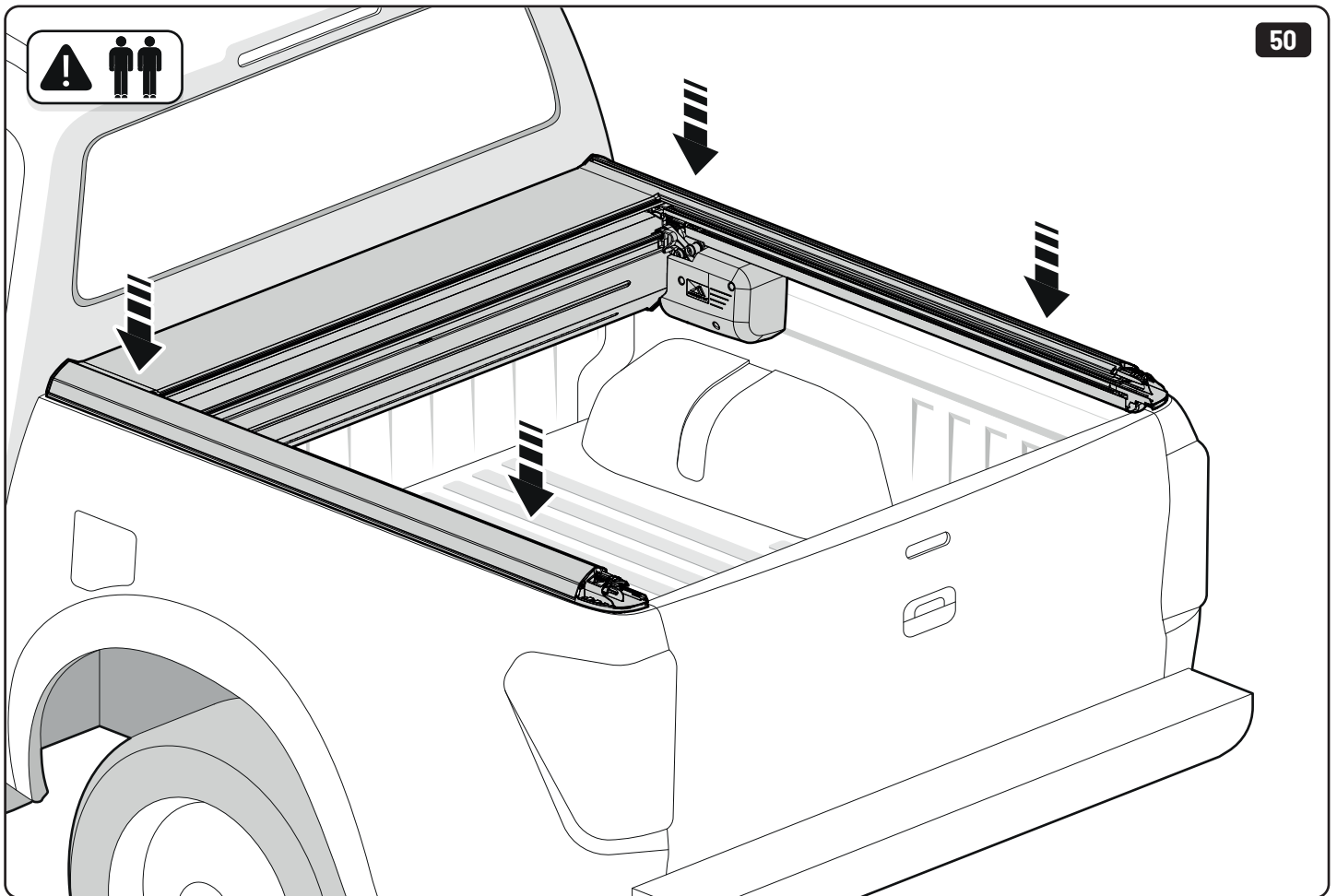
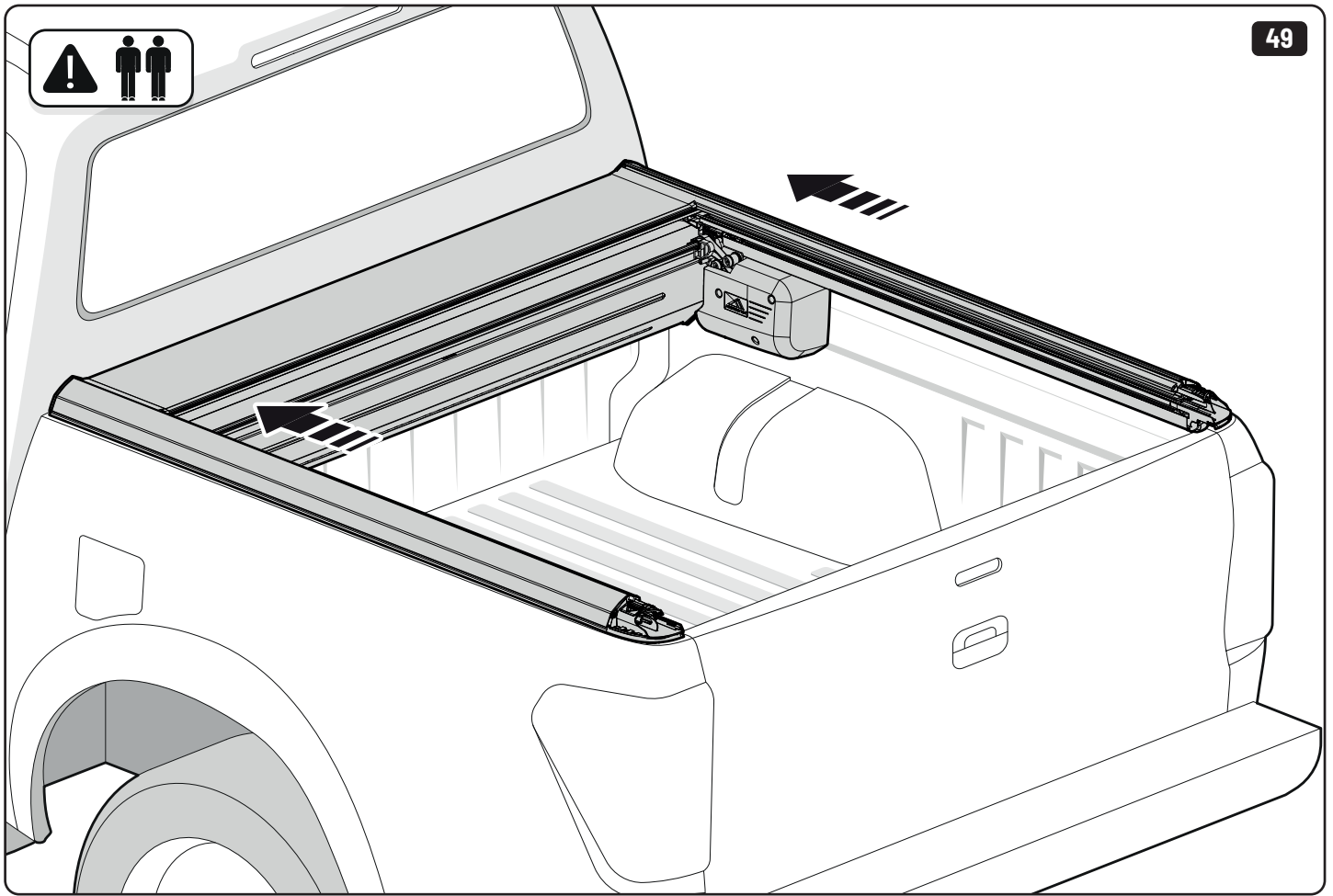


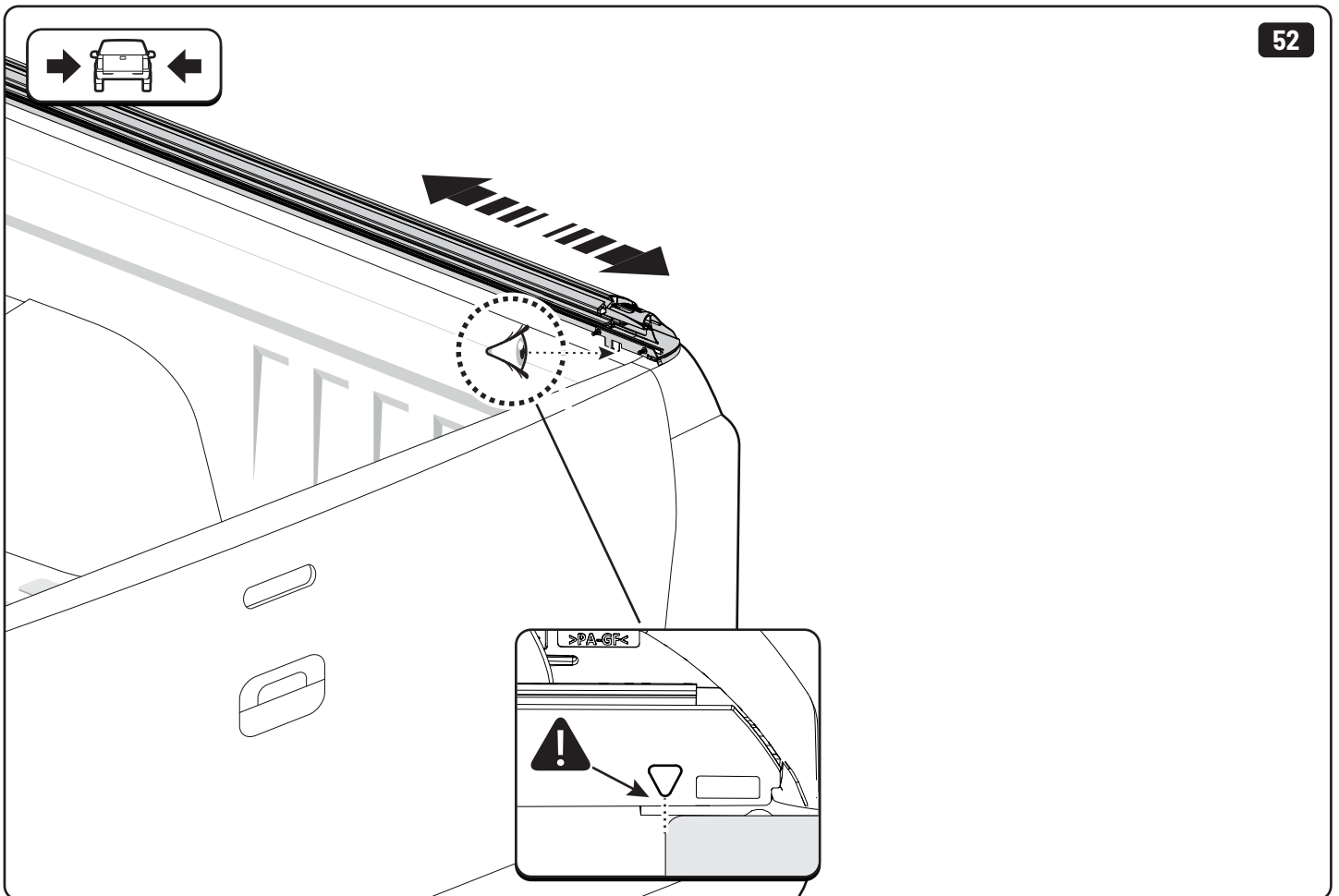
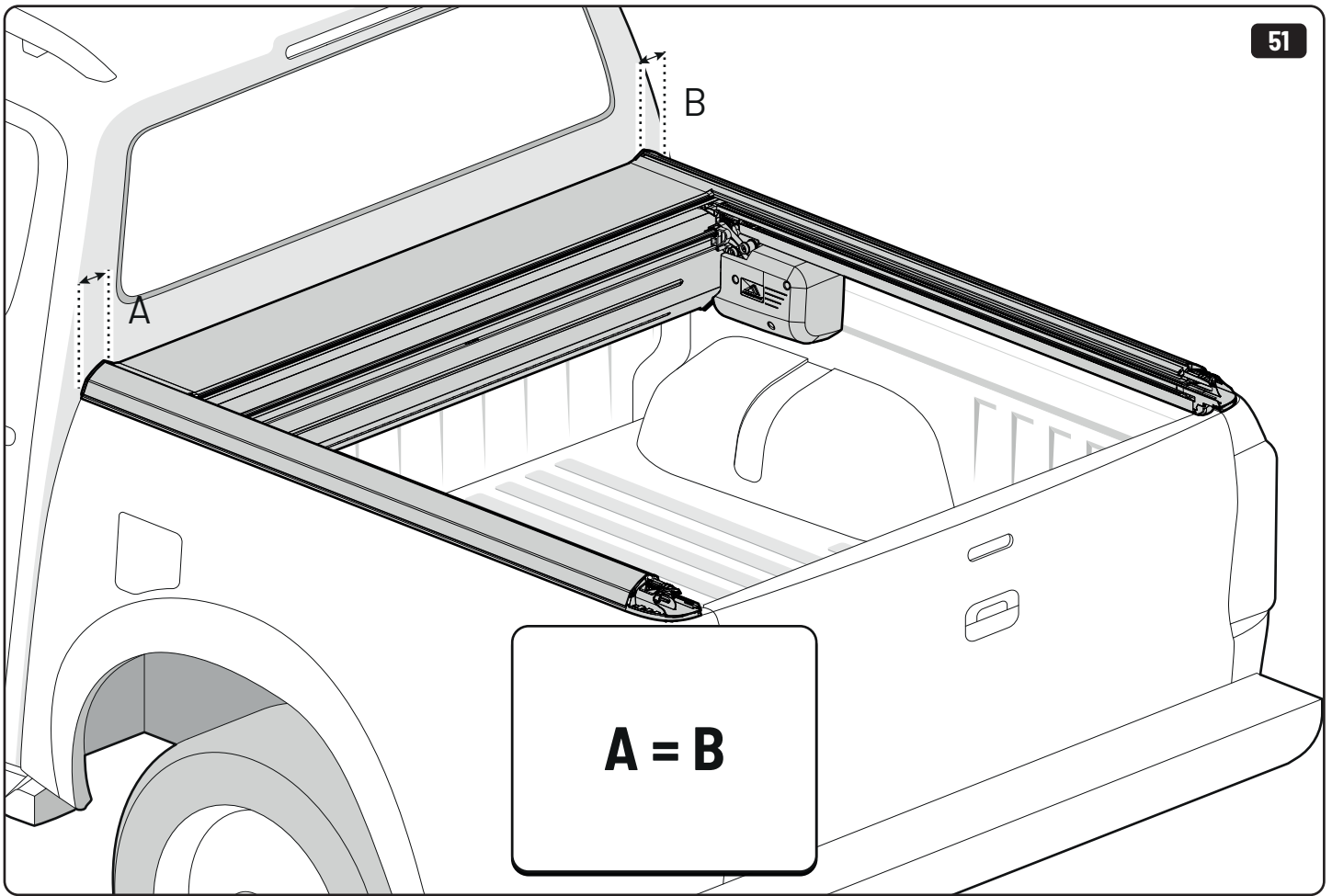




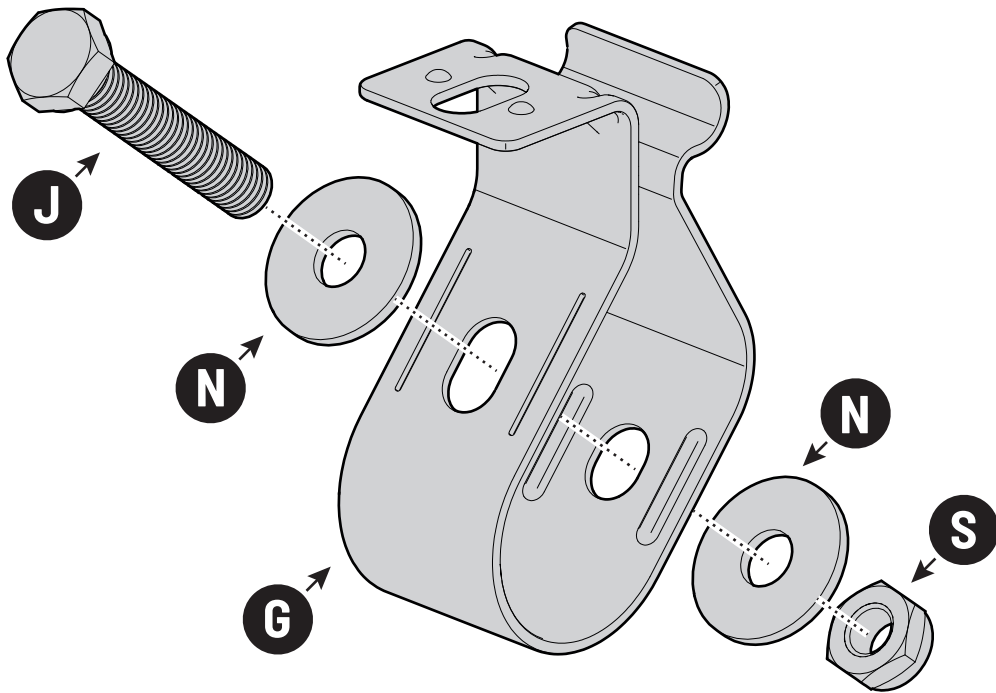




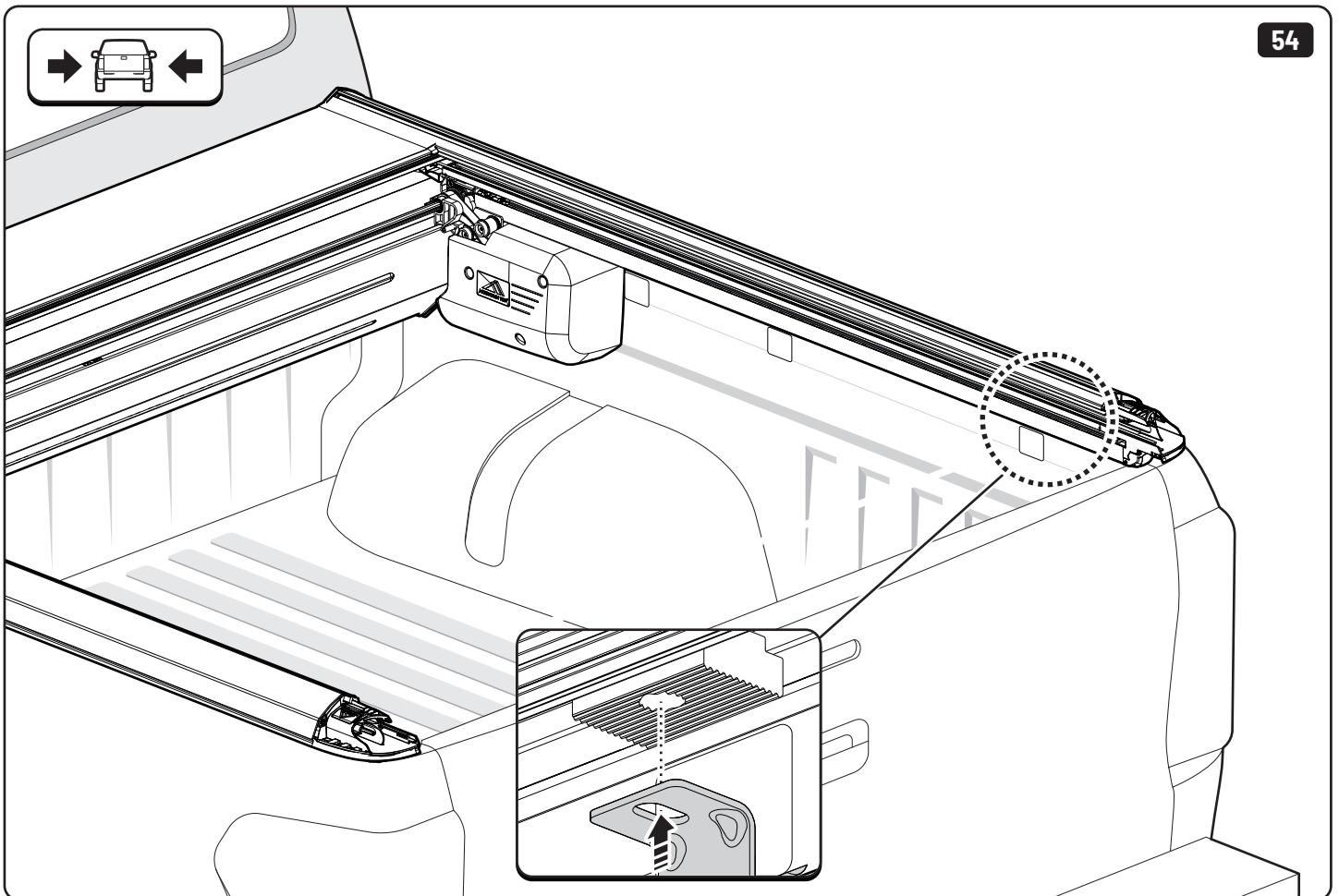


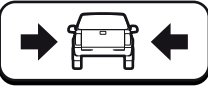




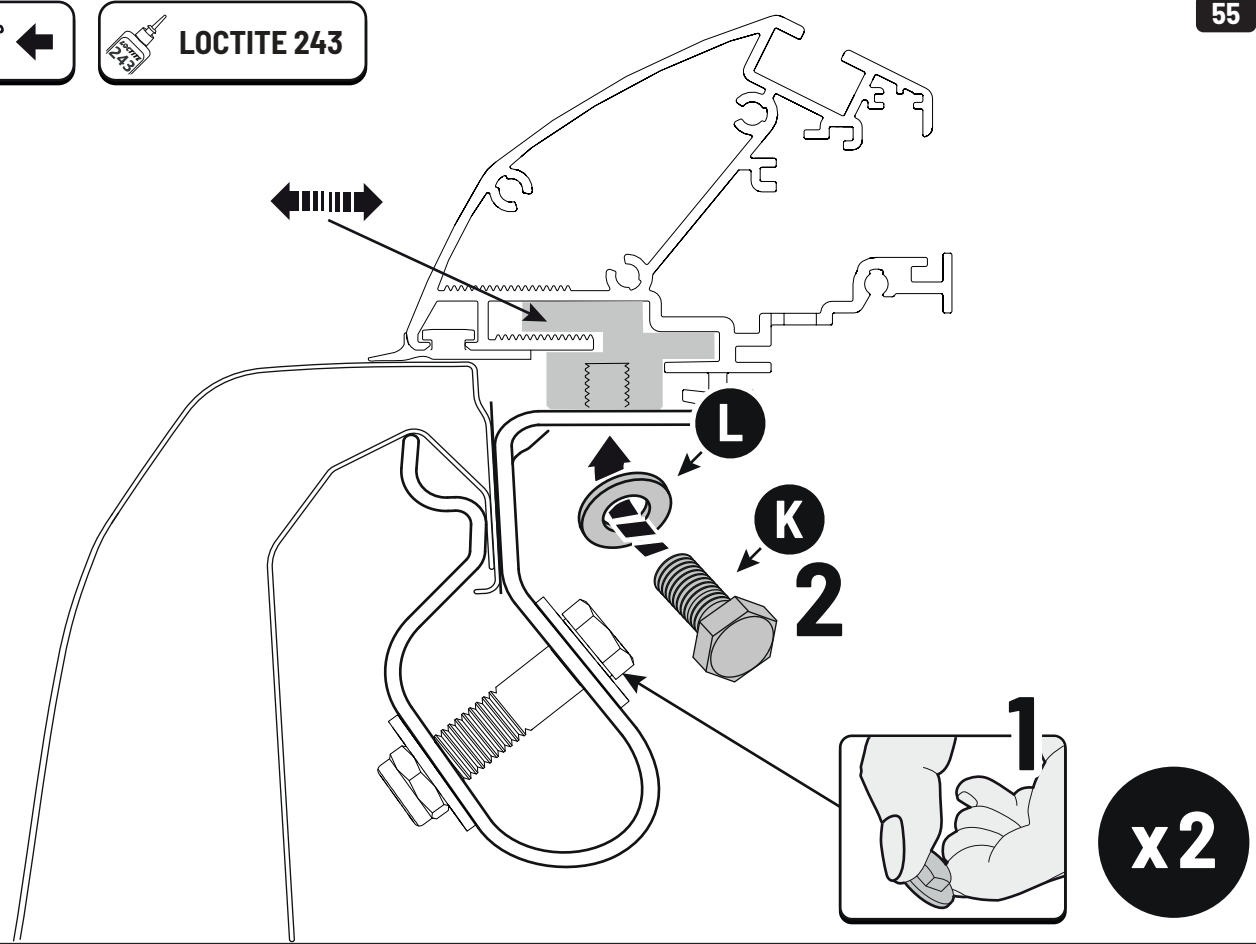


**x6**

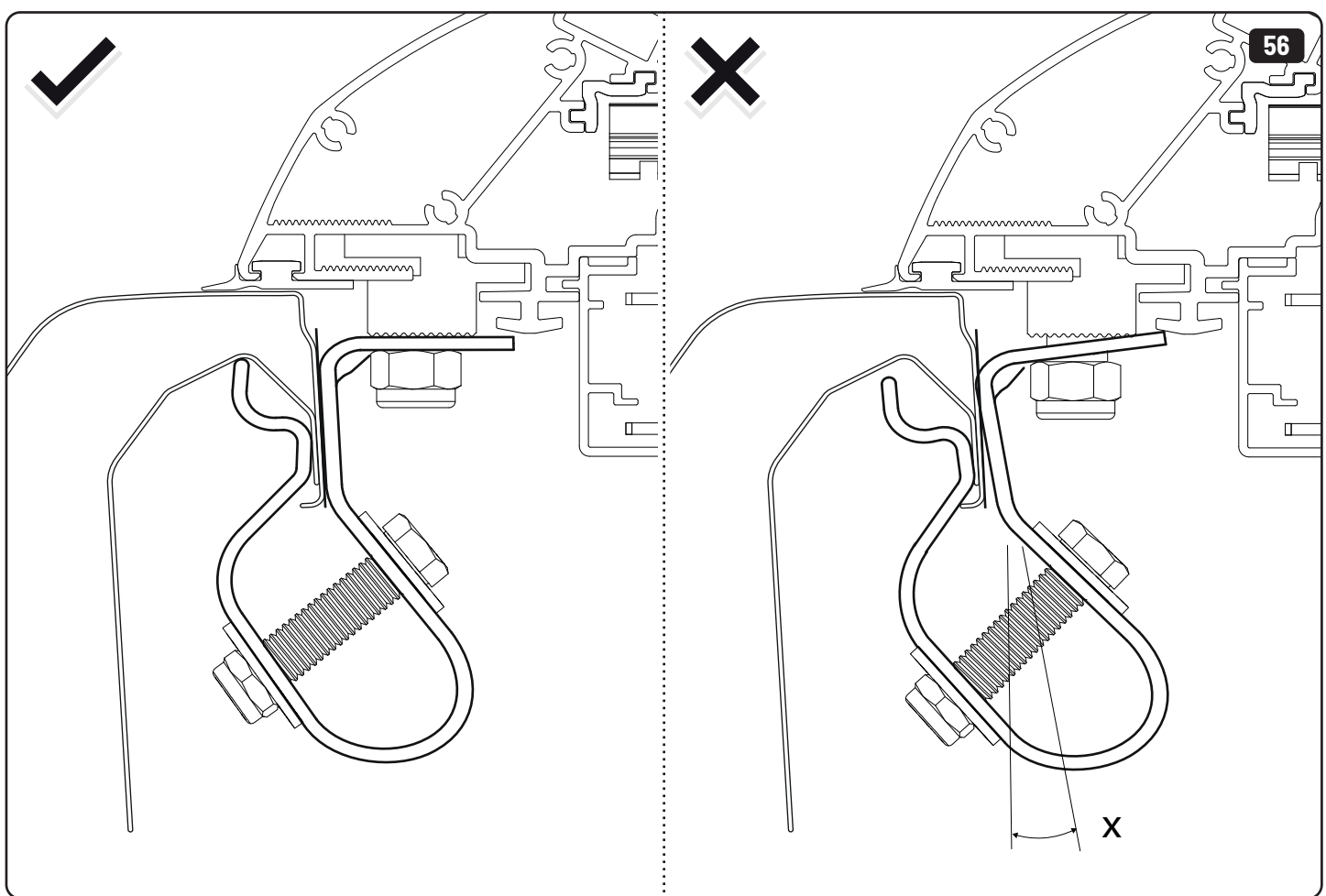


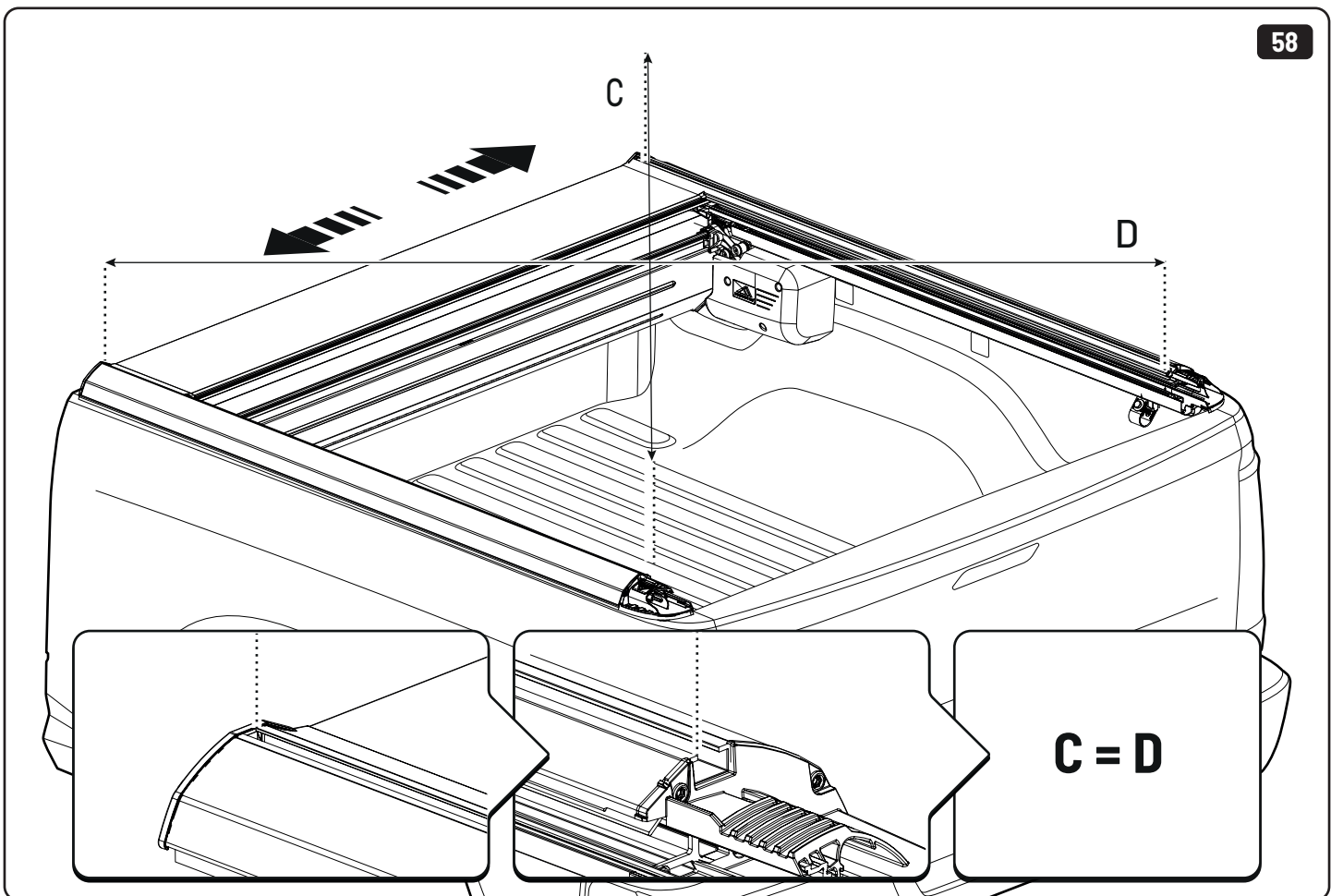
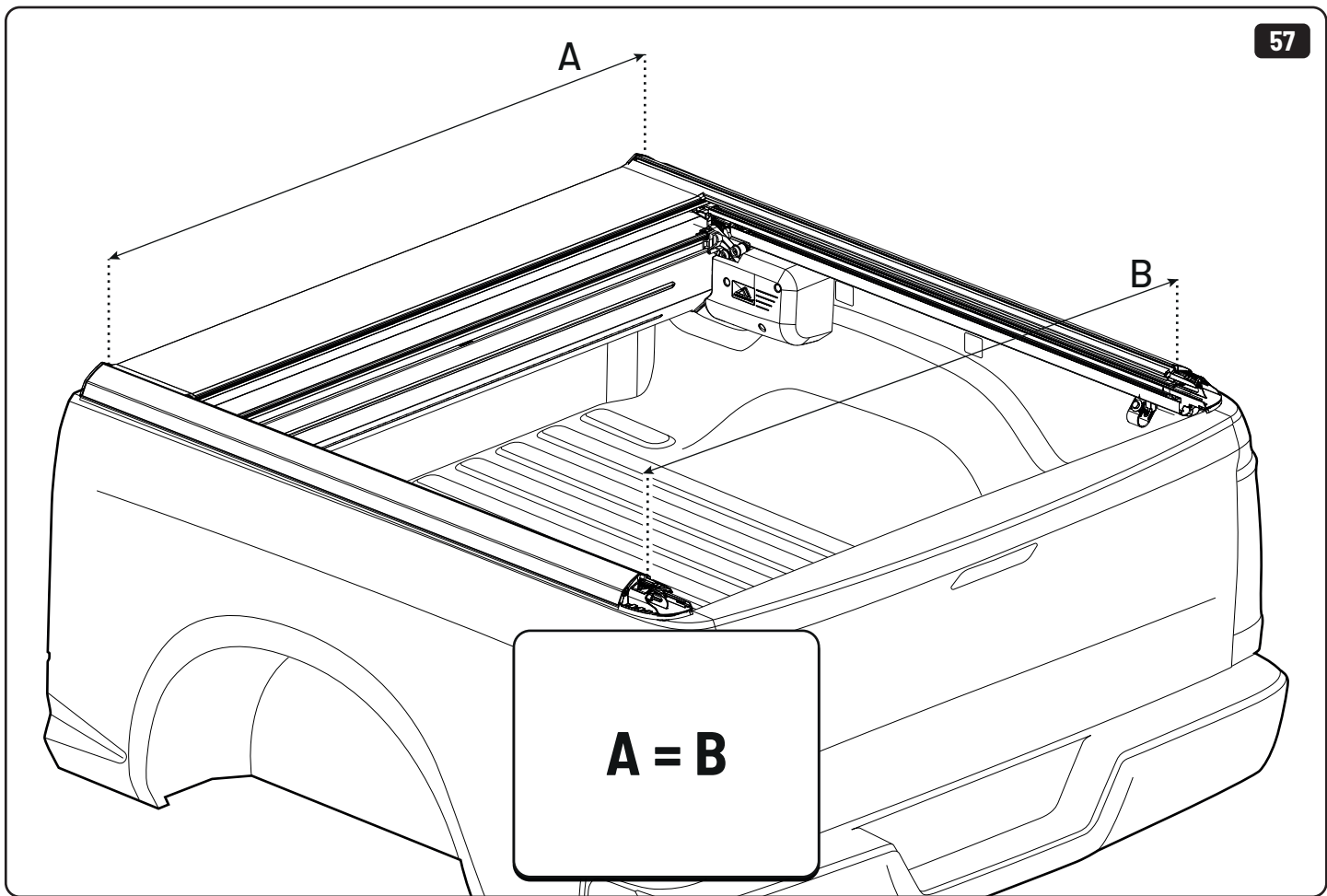


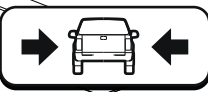
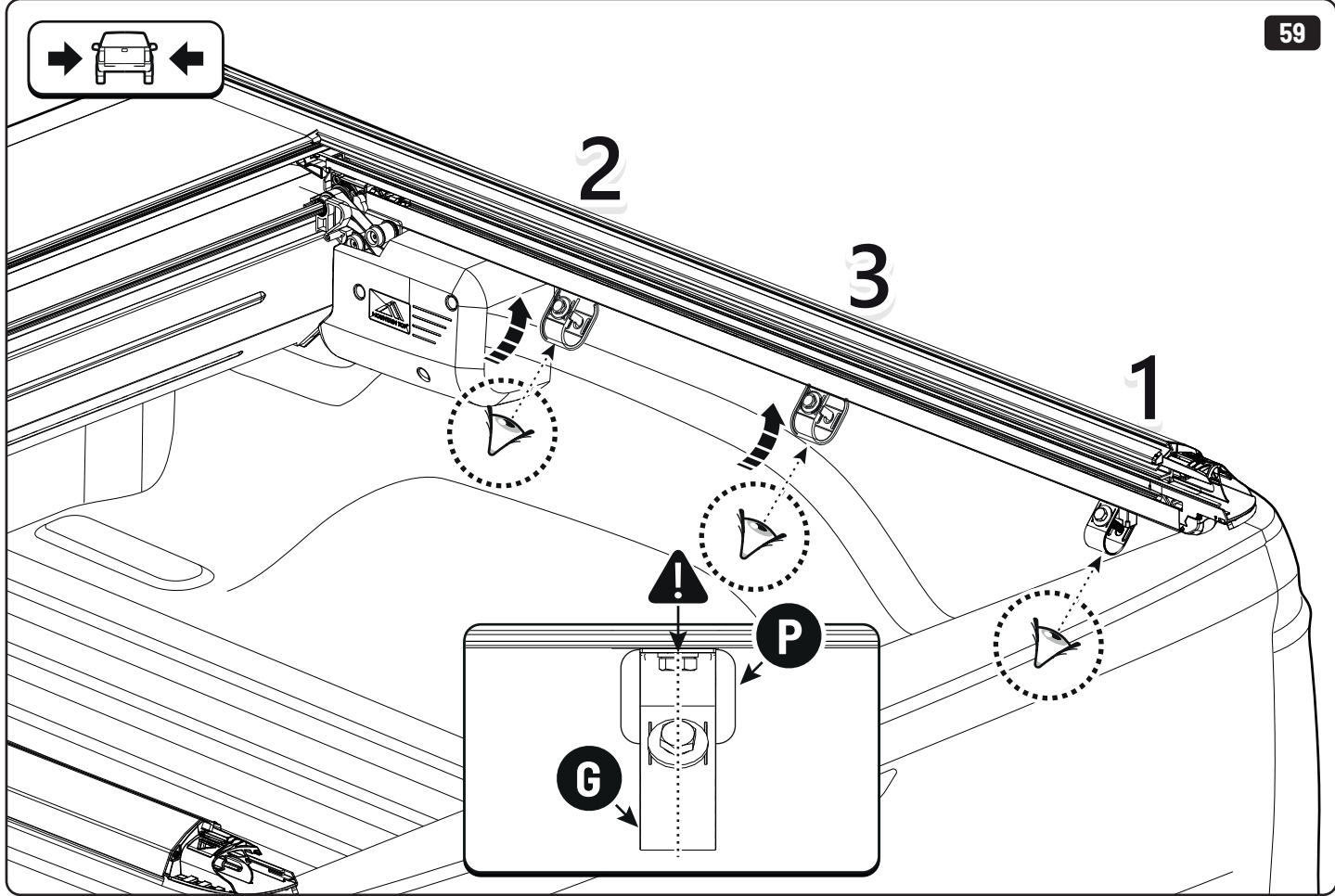
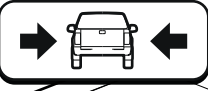
LOCTITE 243



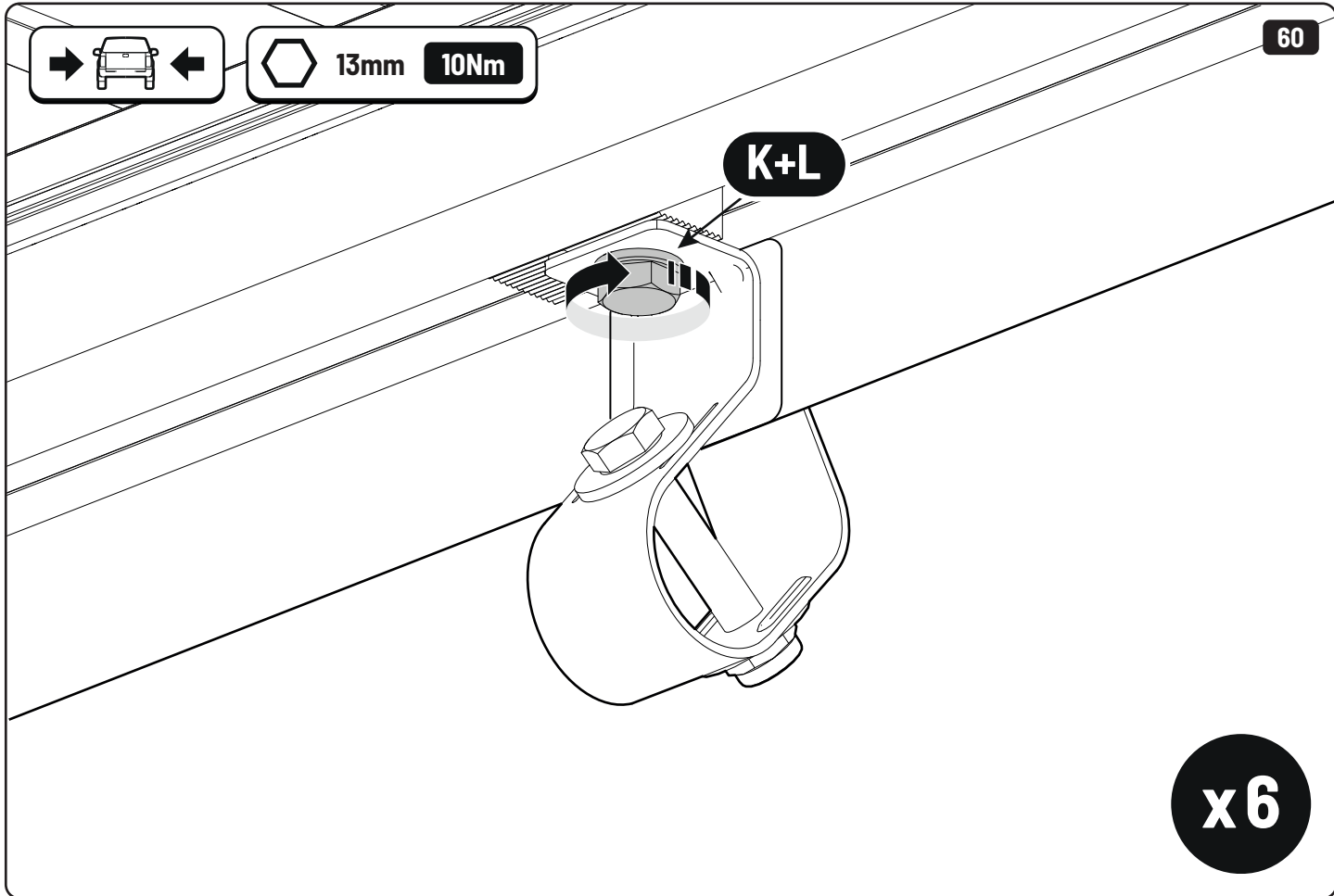
x2



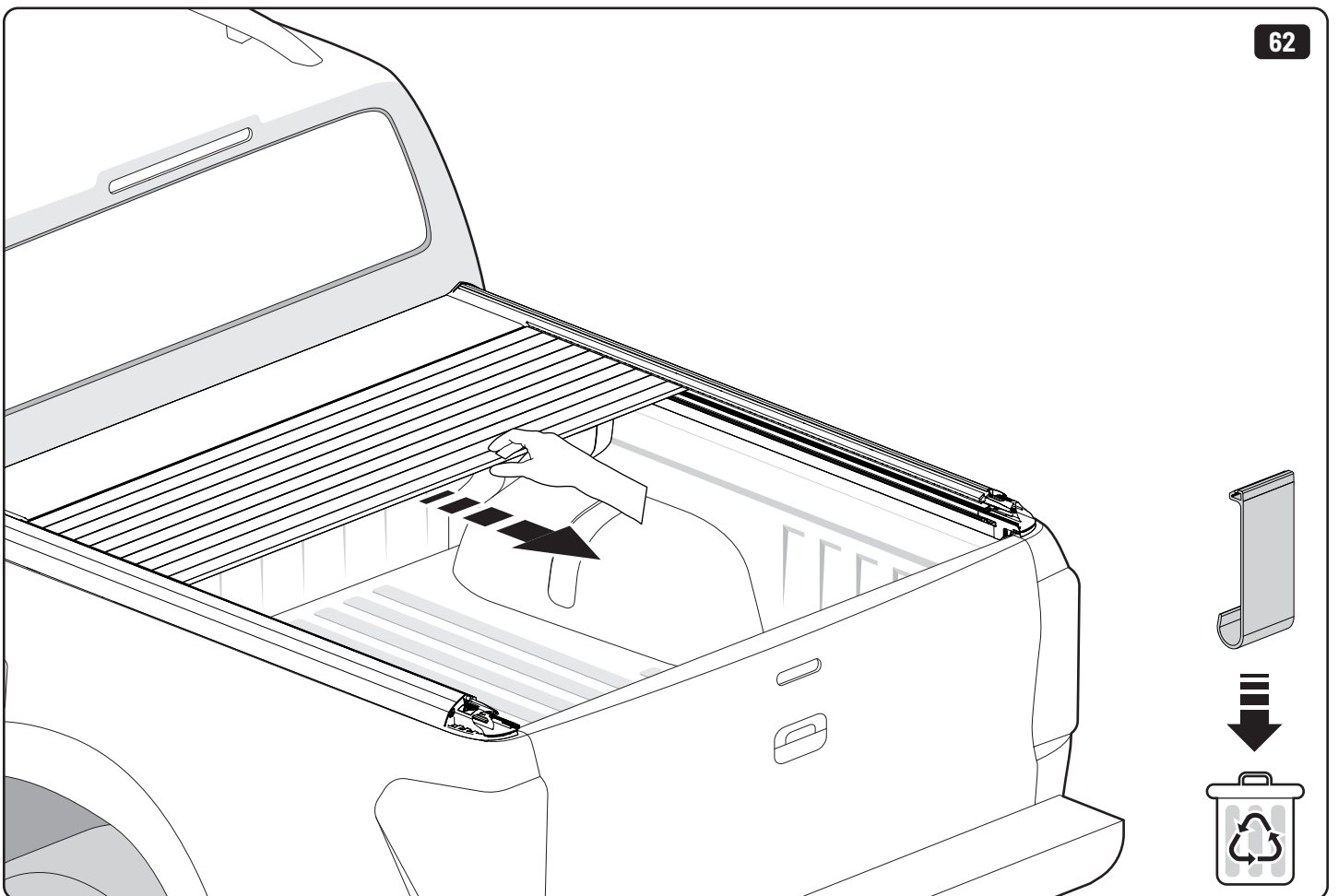
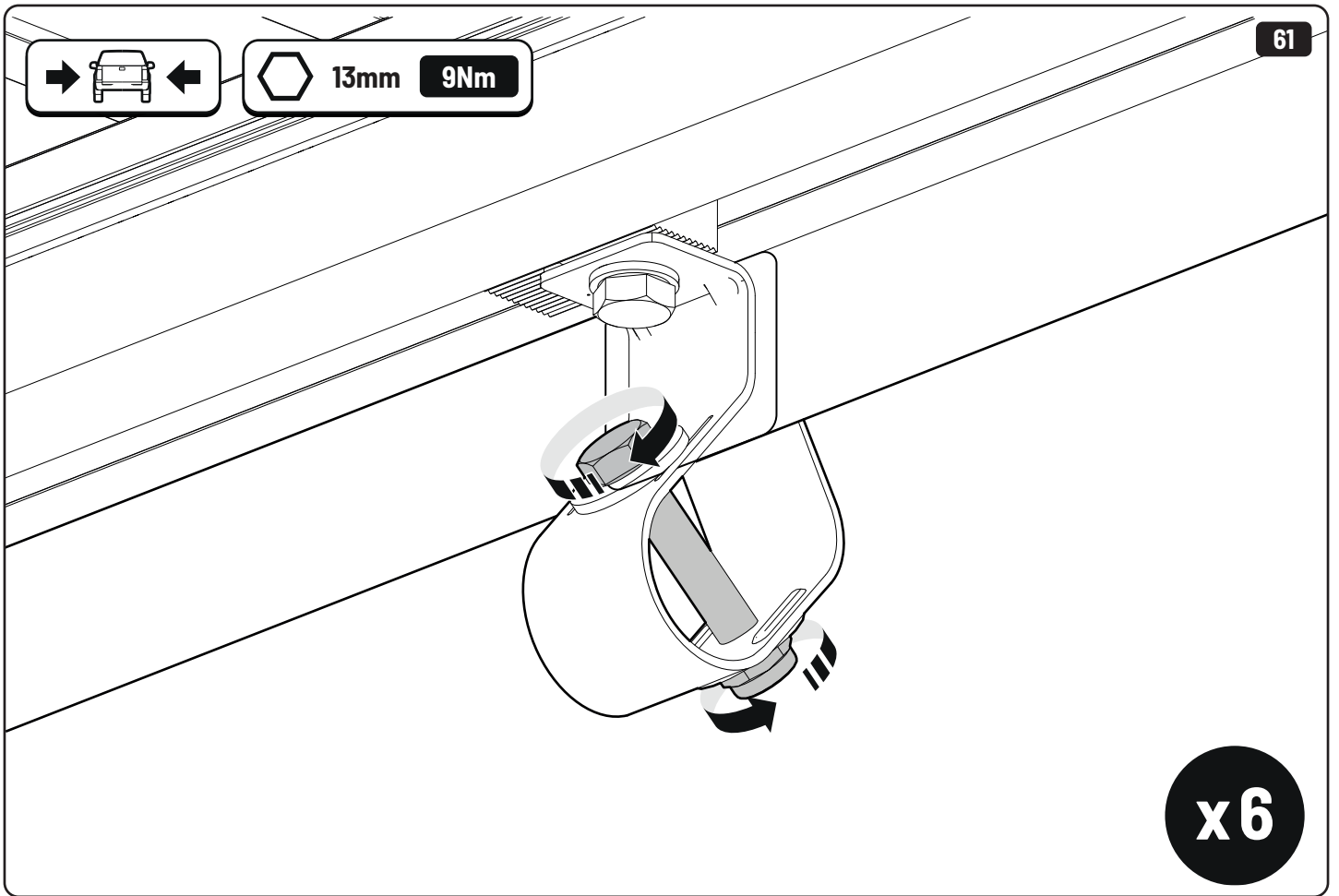


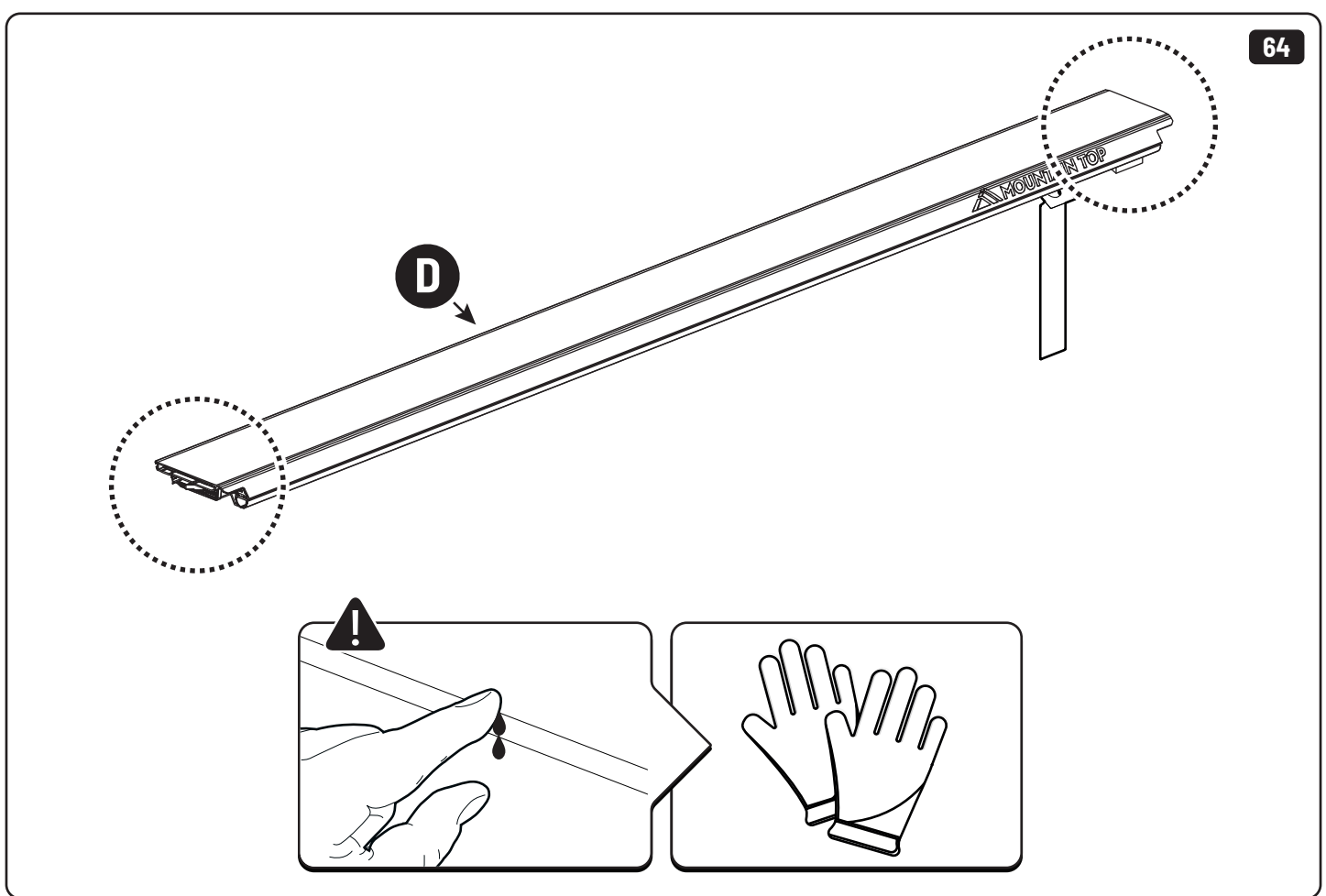
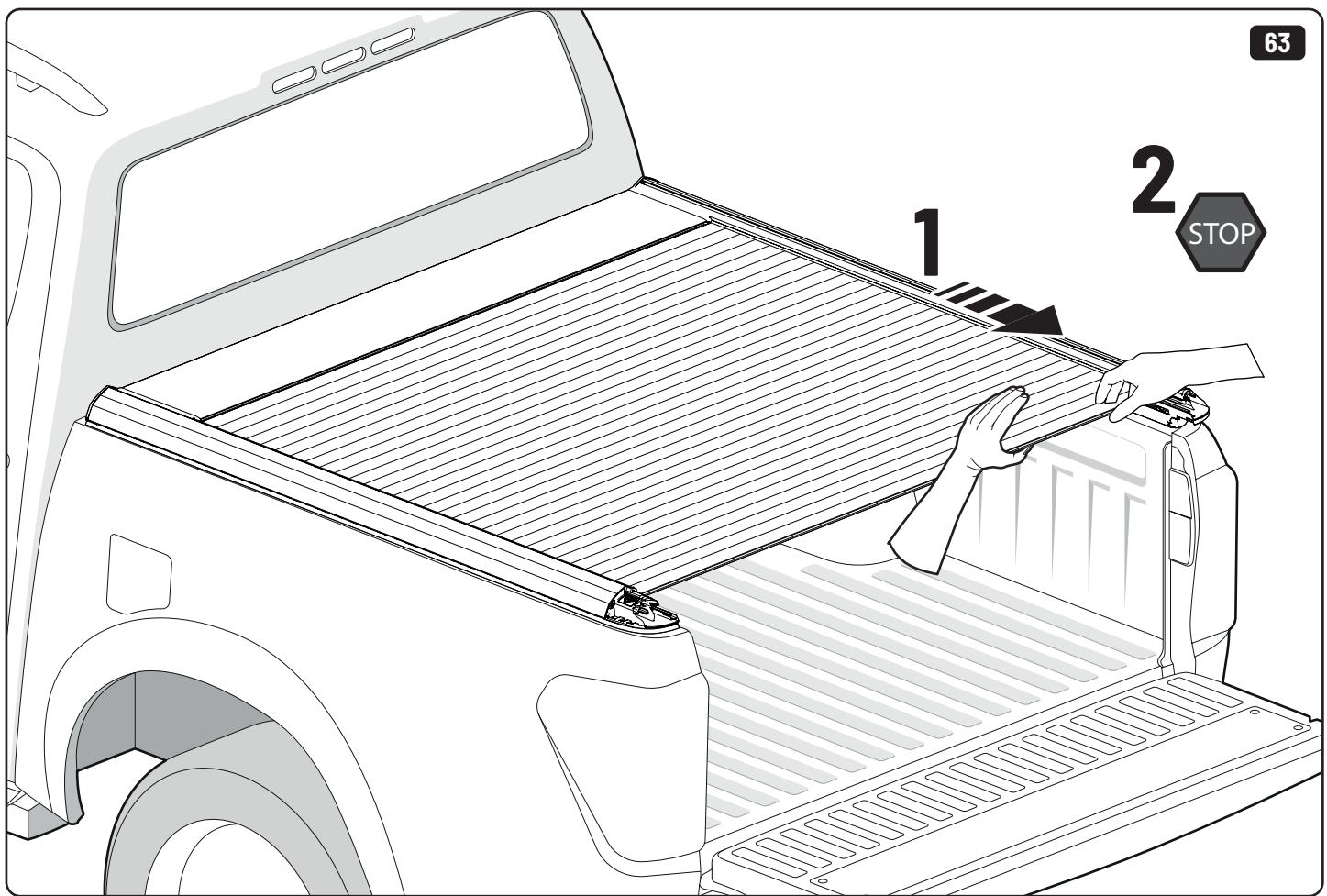


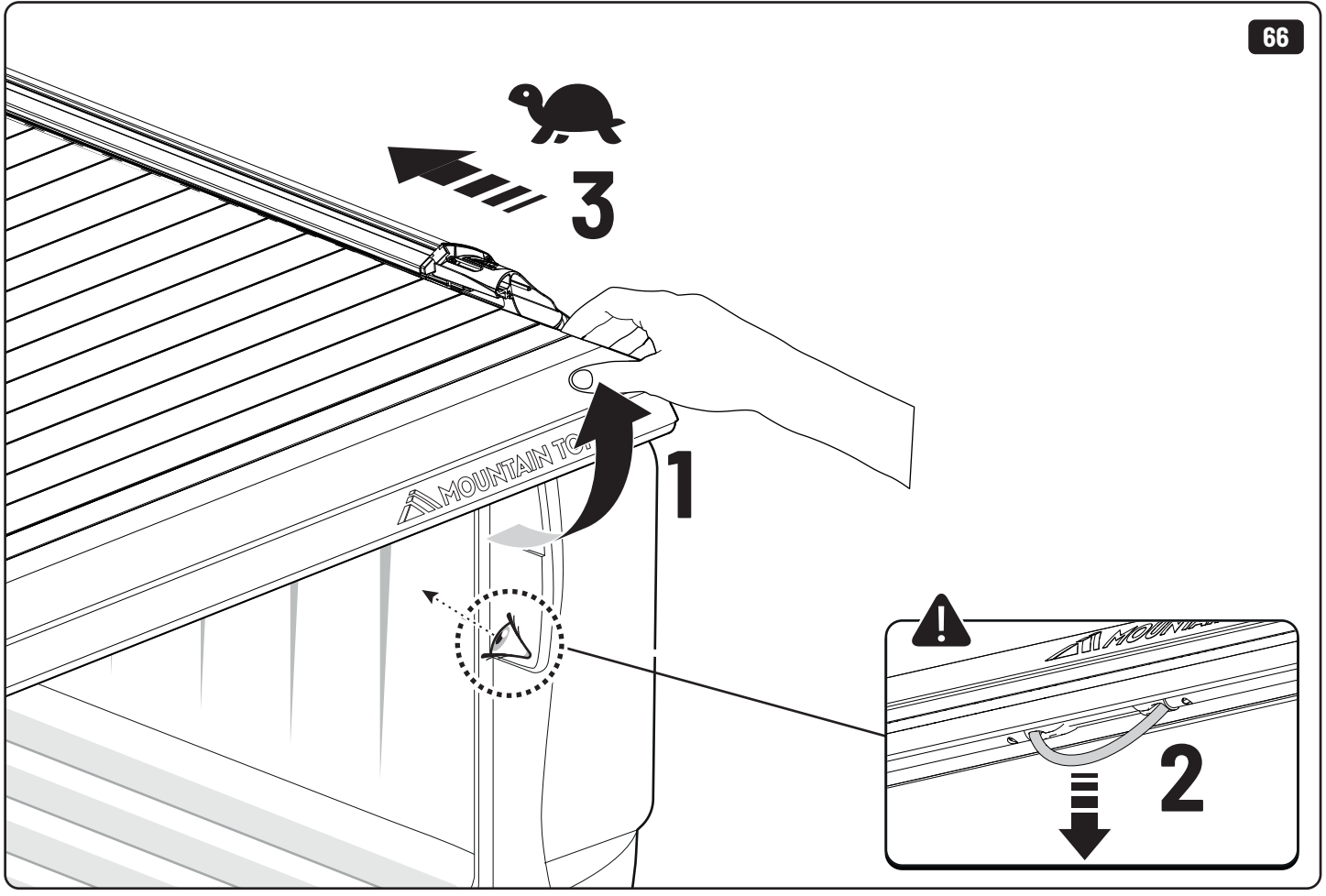
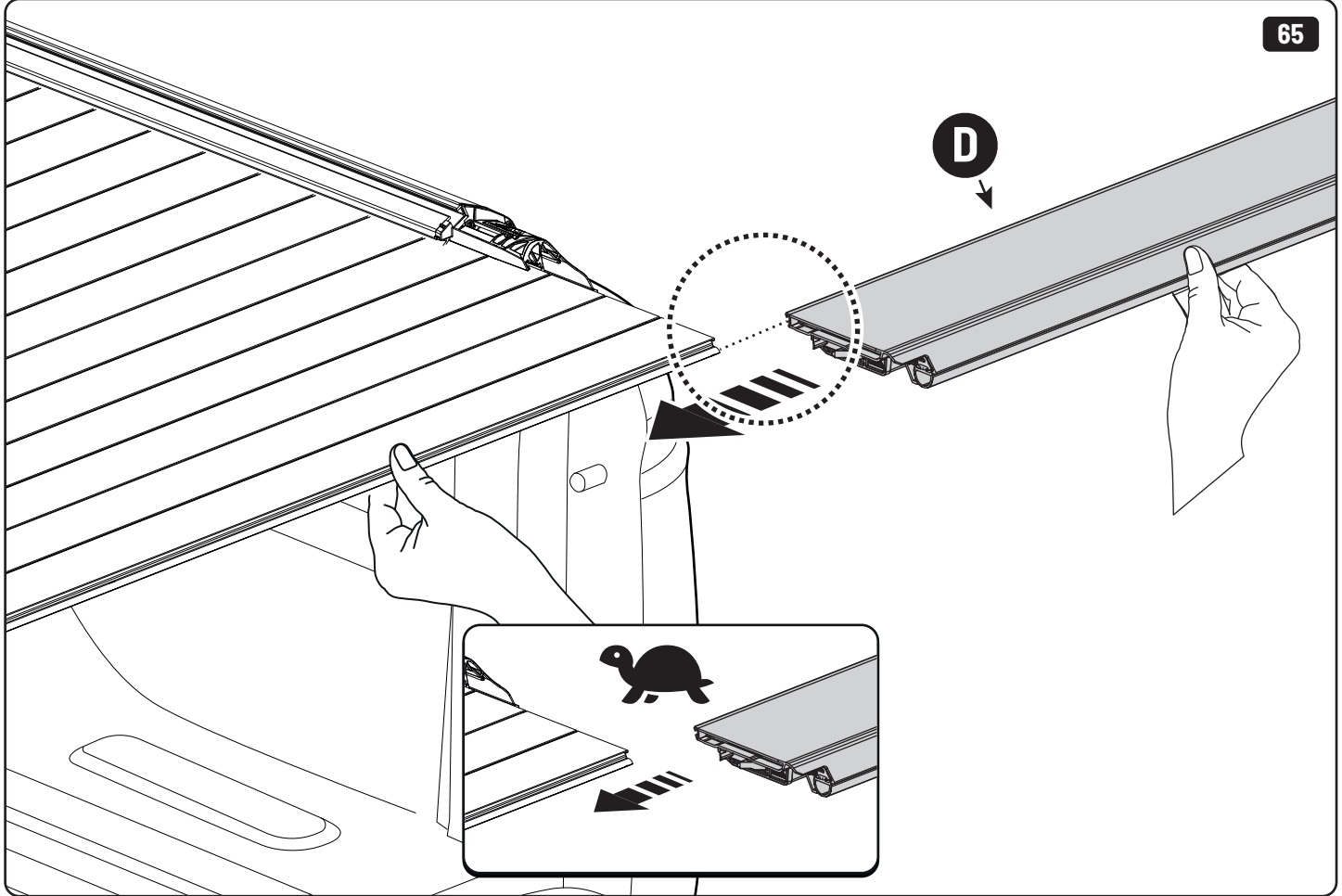
13mm 10Nm

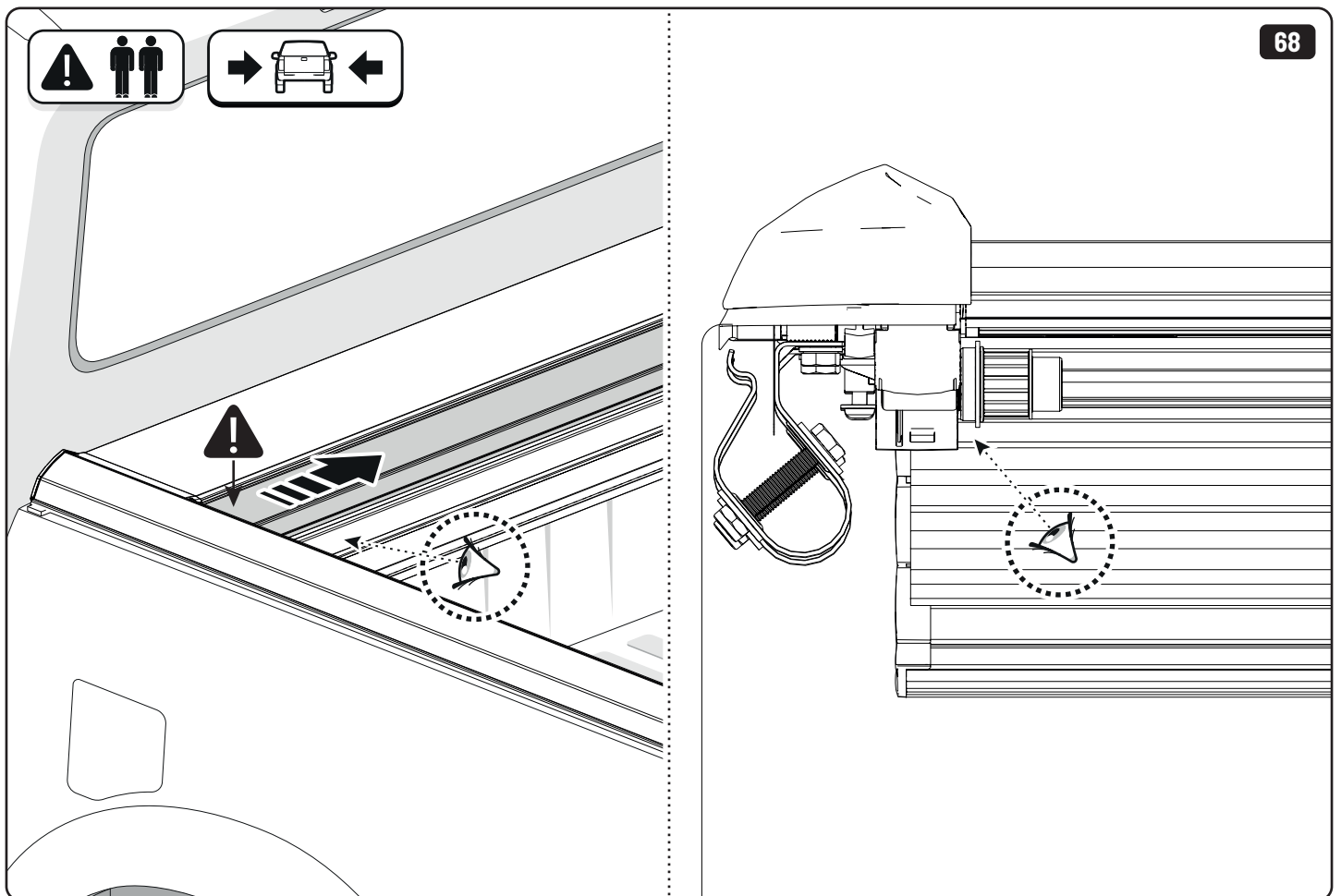
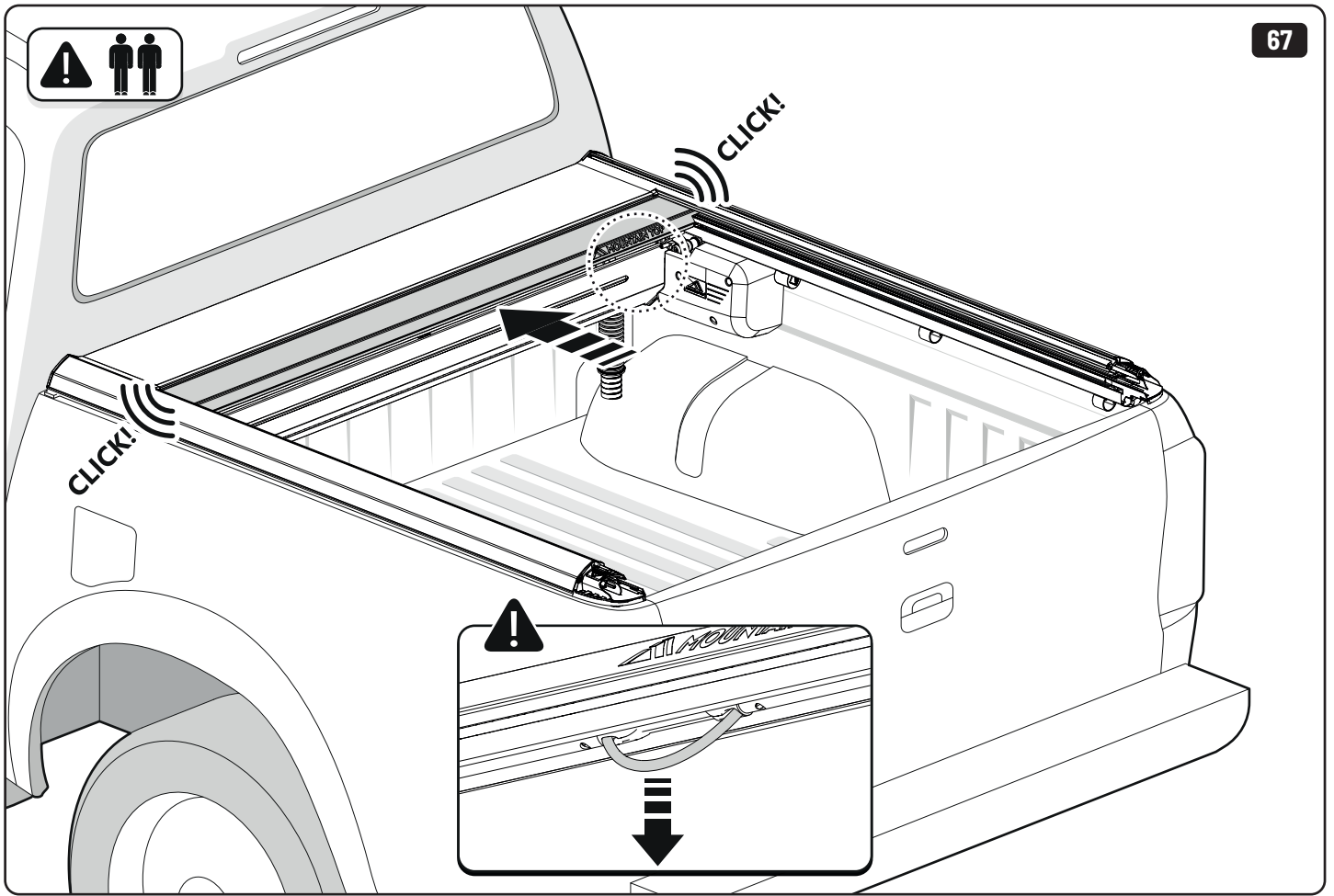


x6

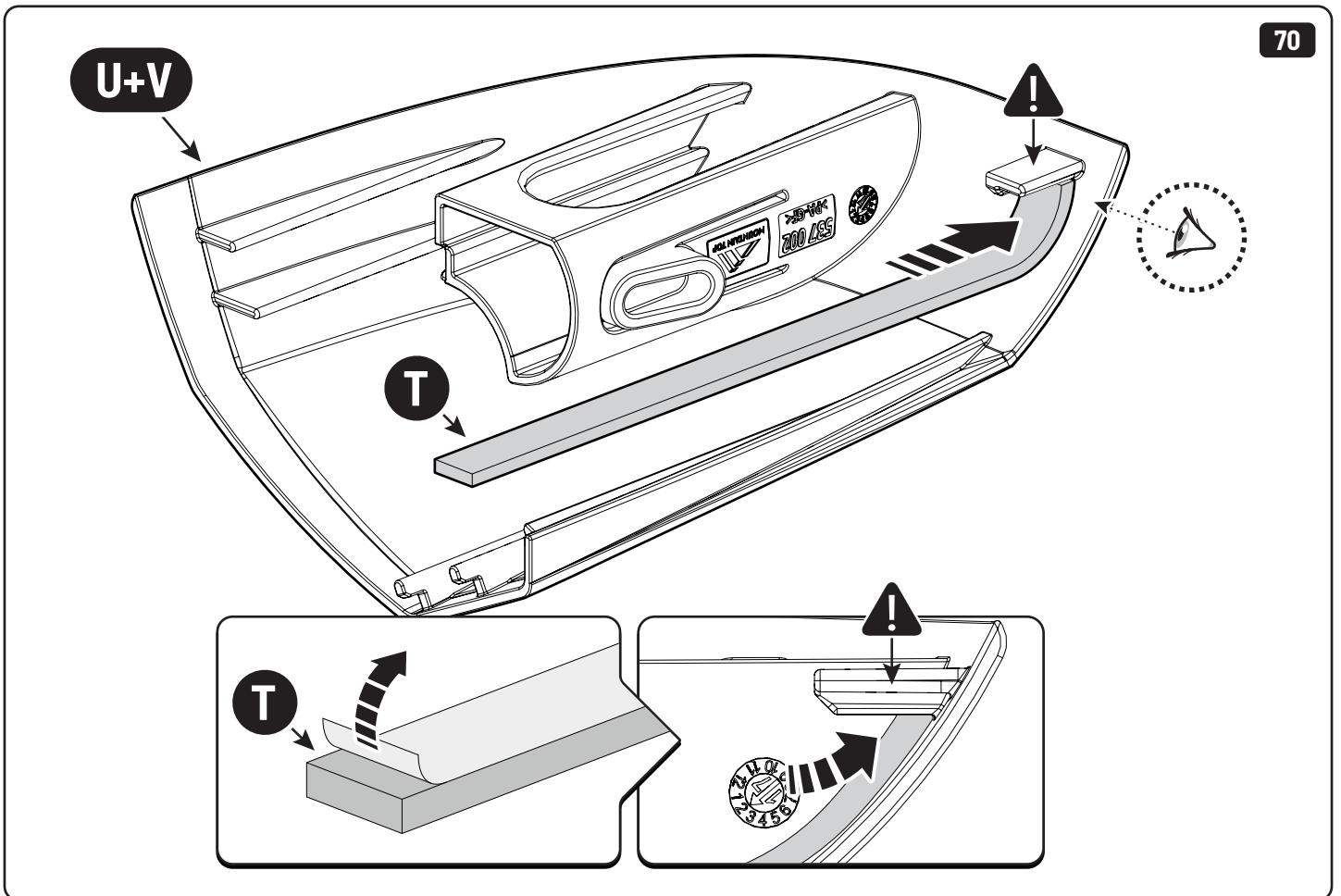
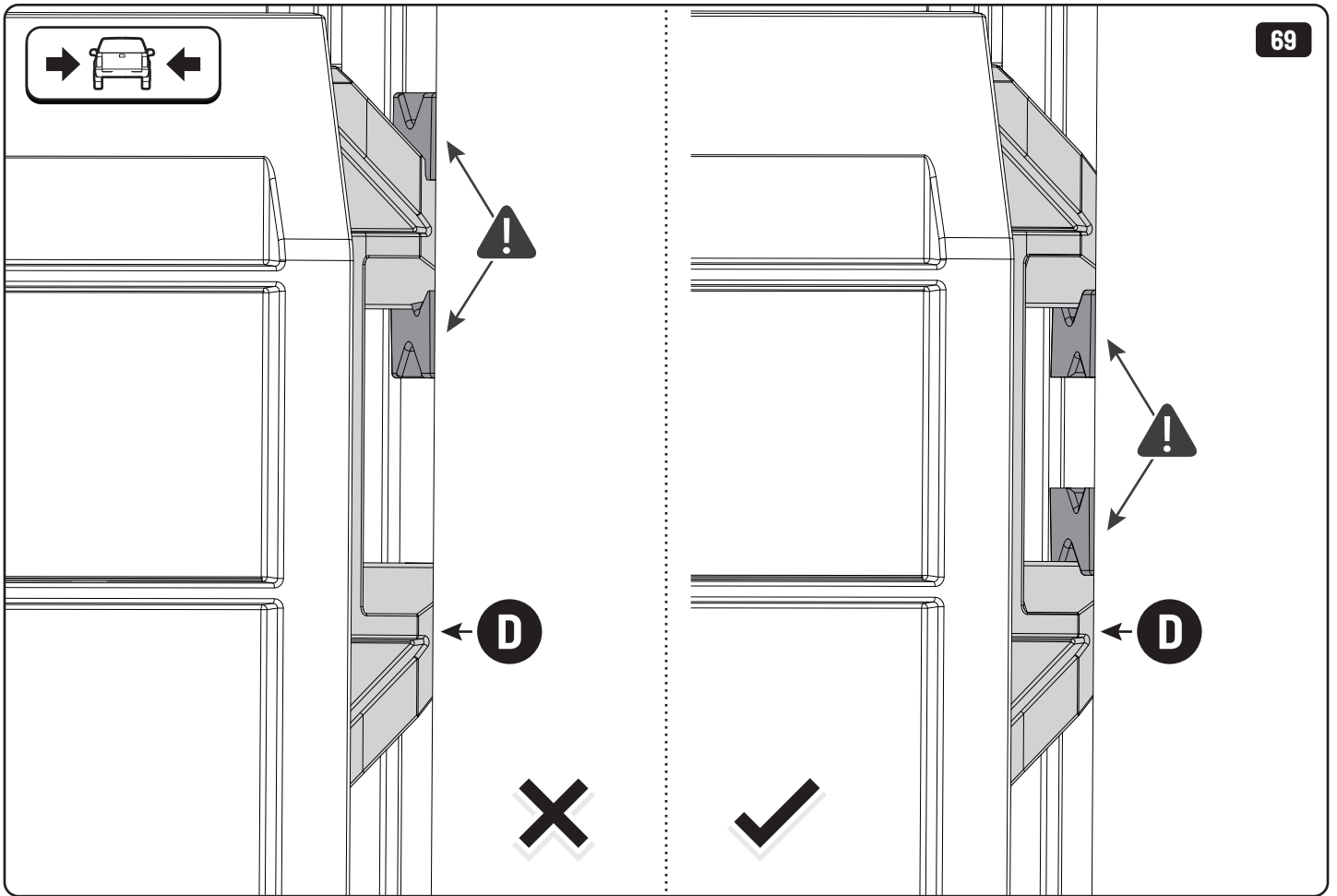


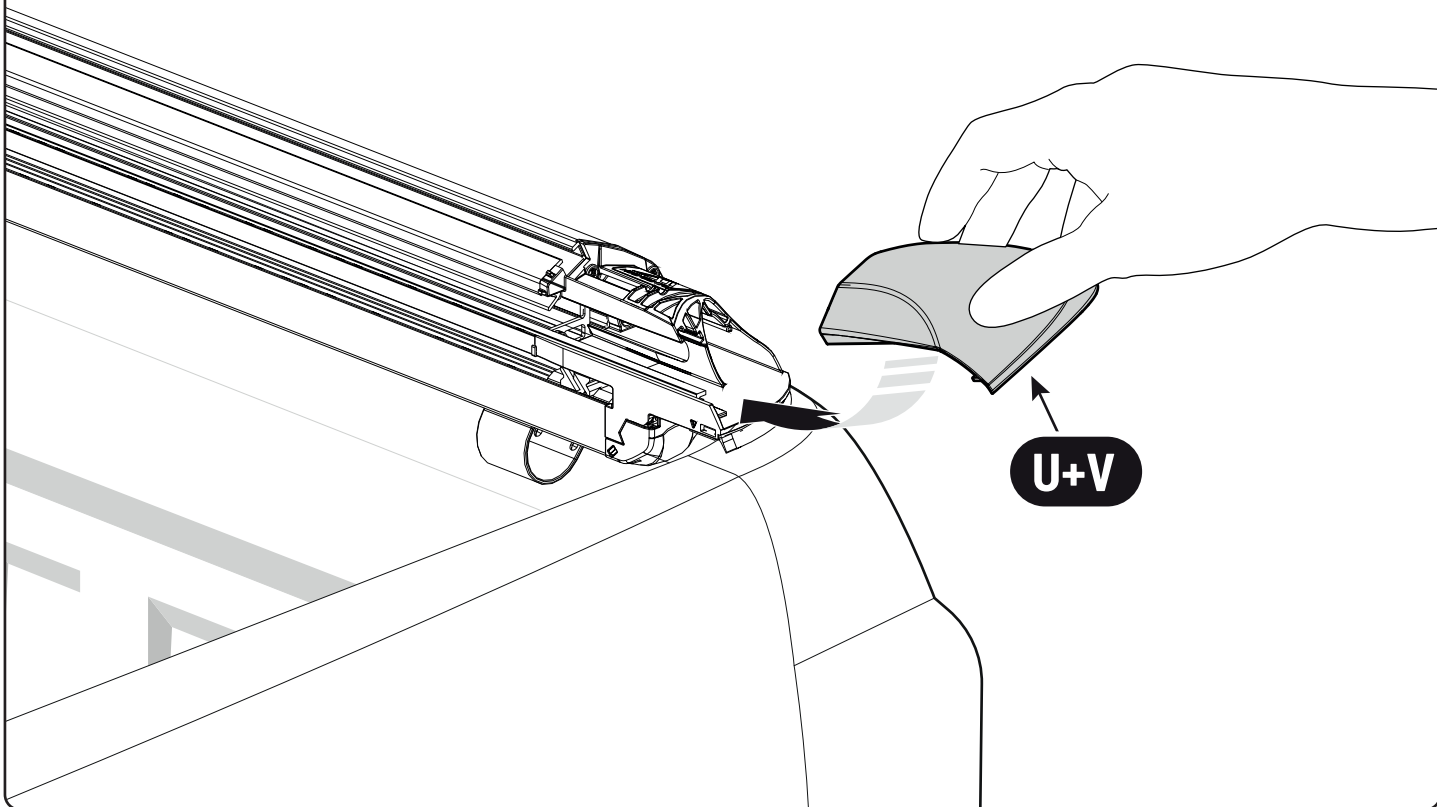
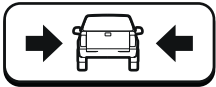
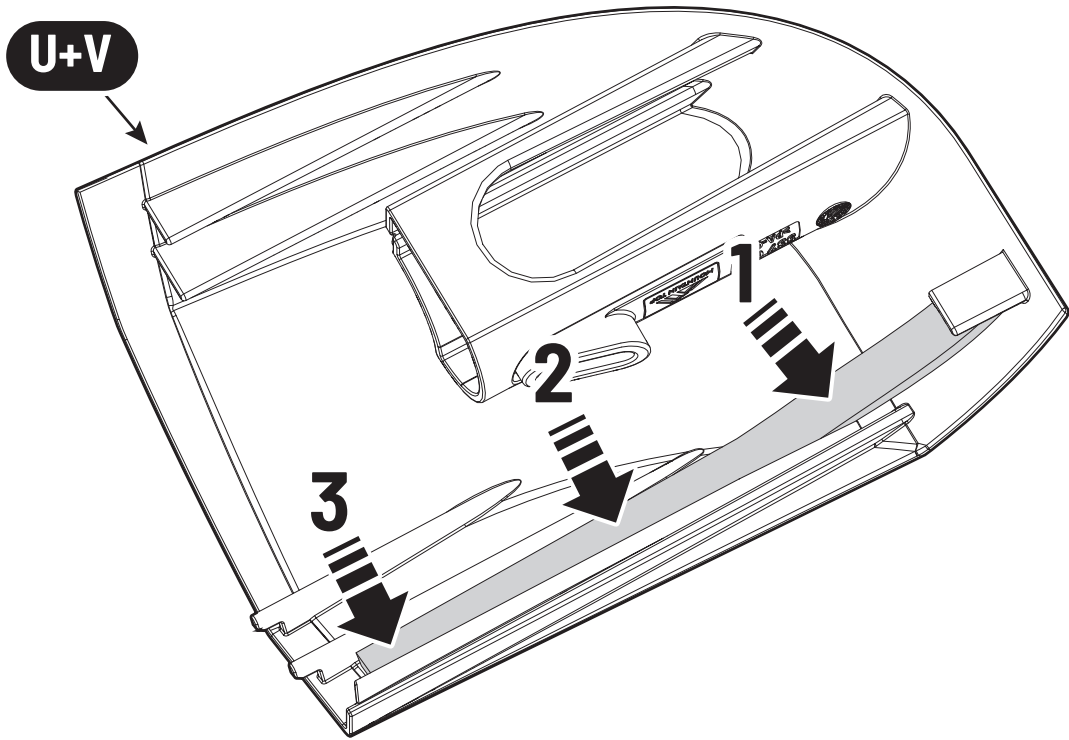


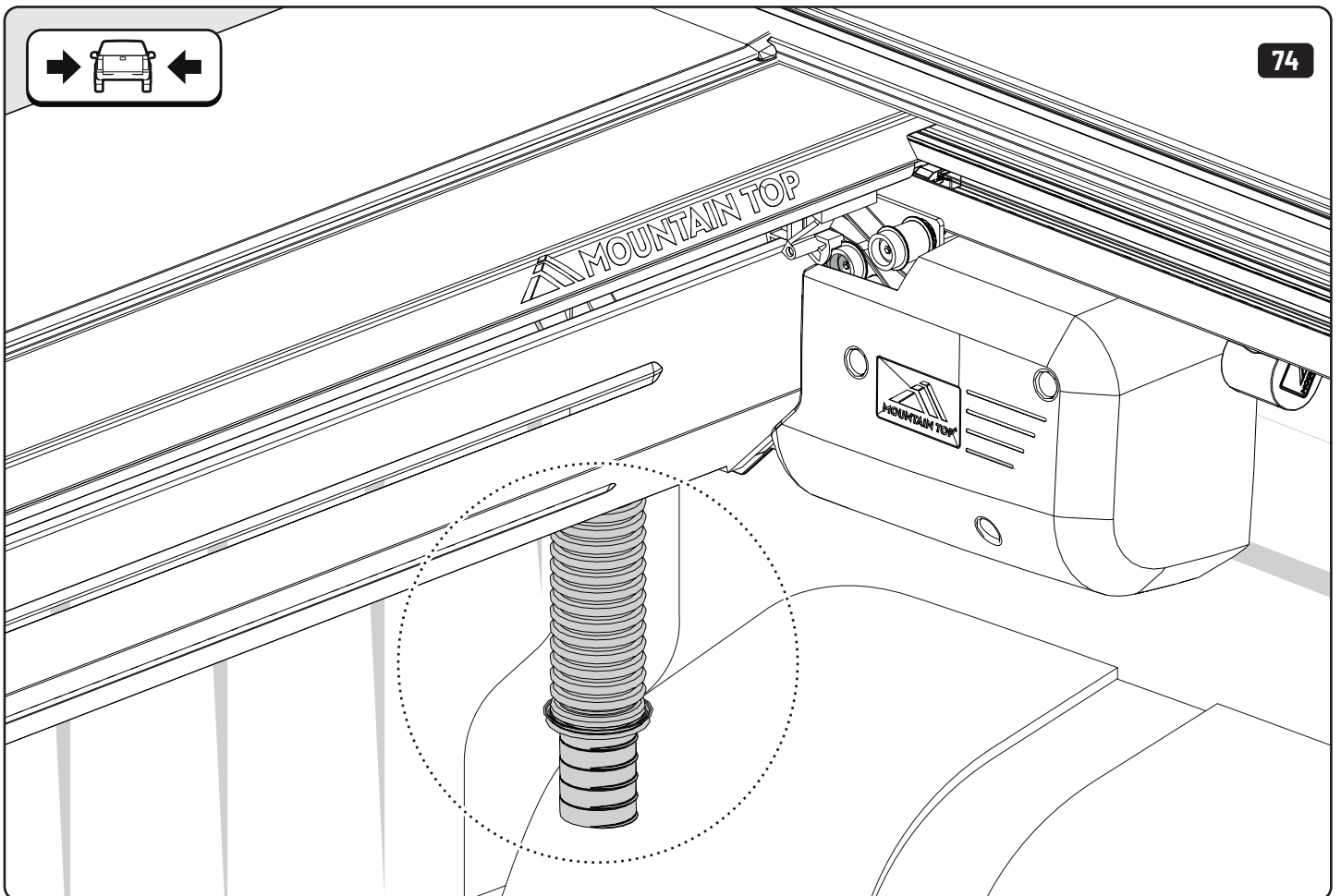
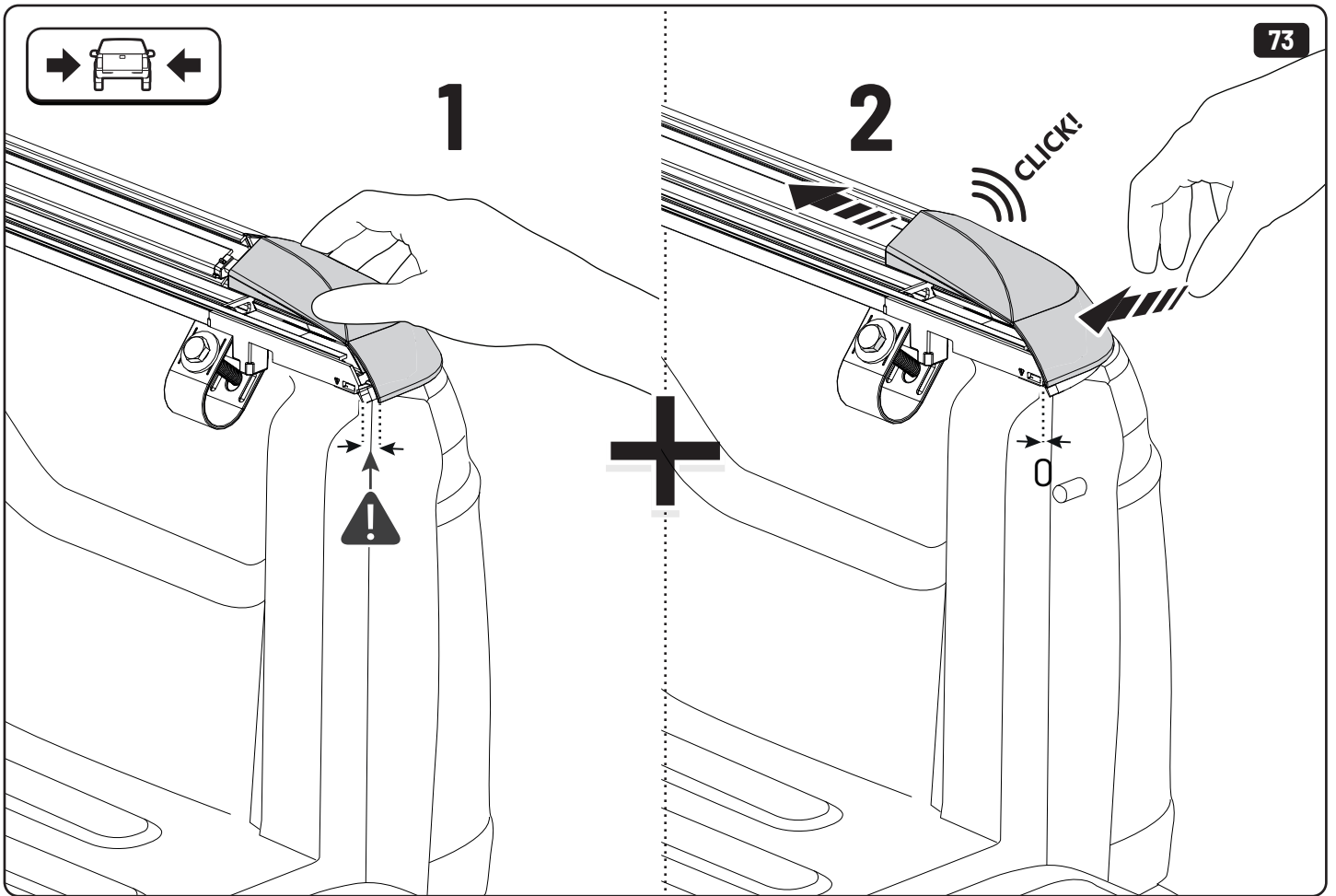


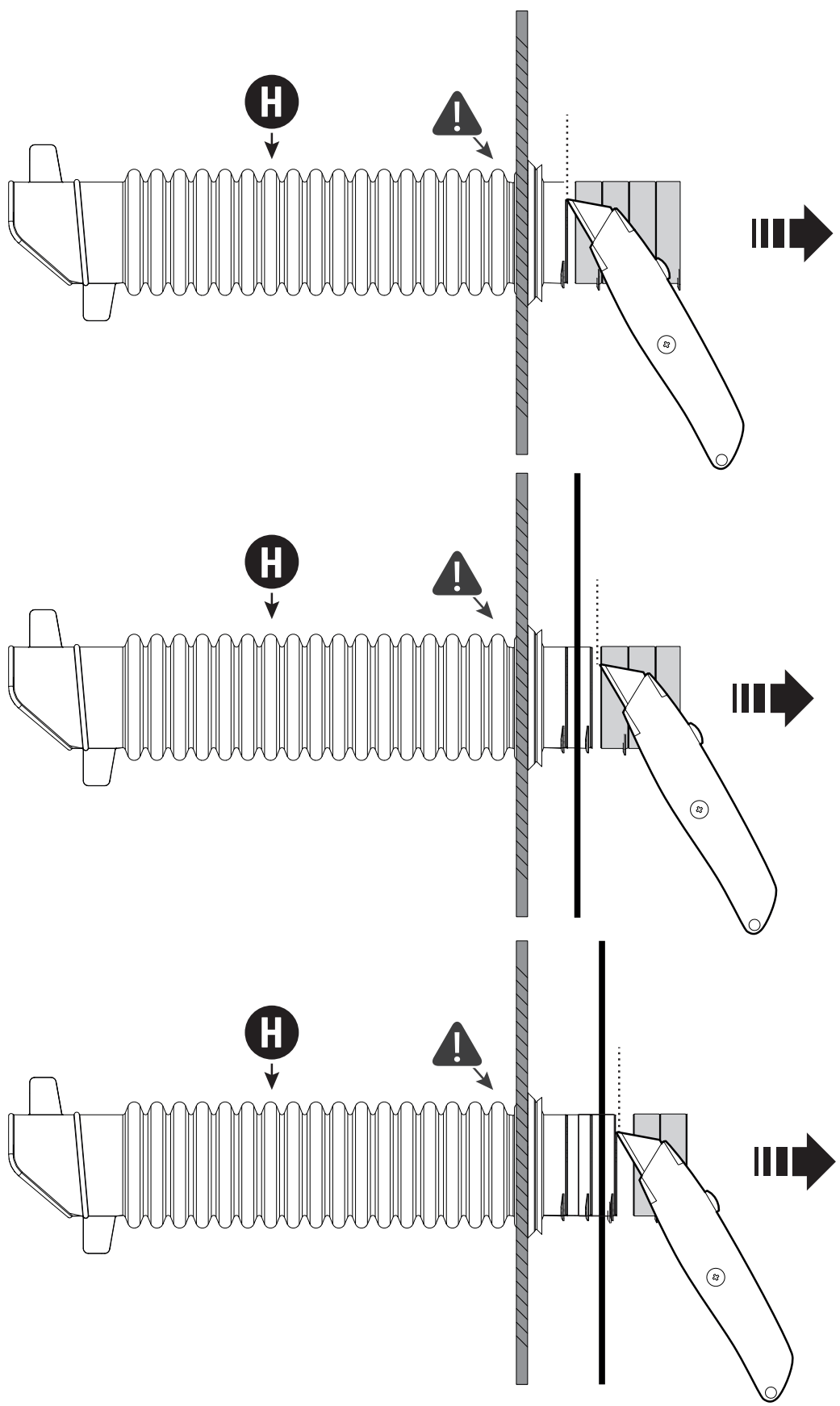


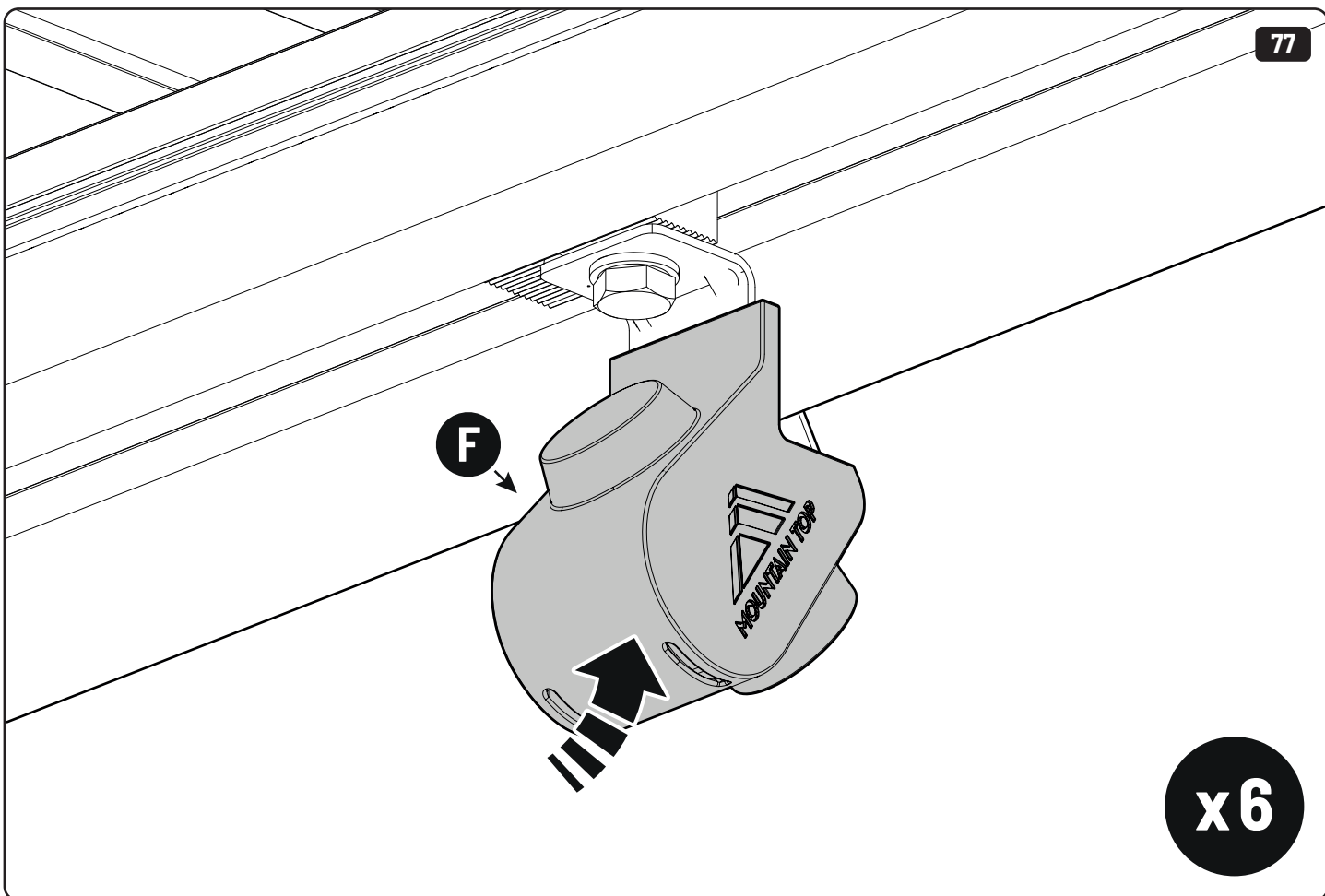
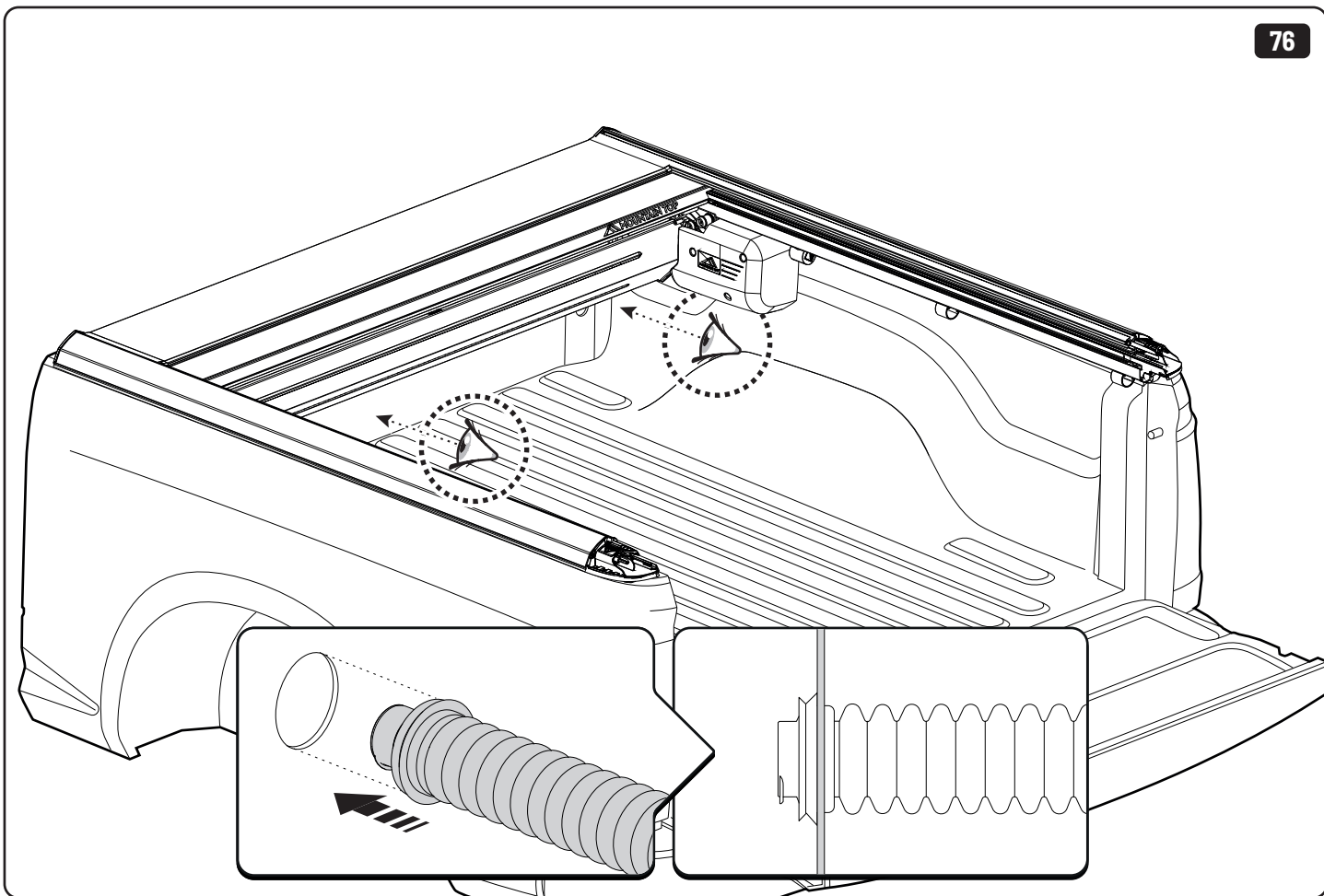


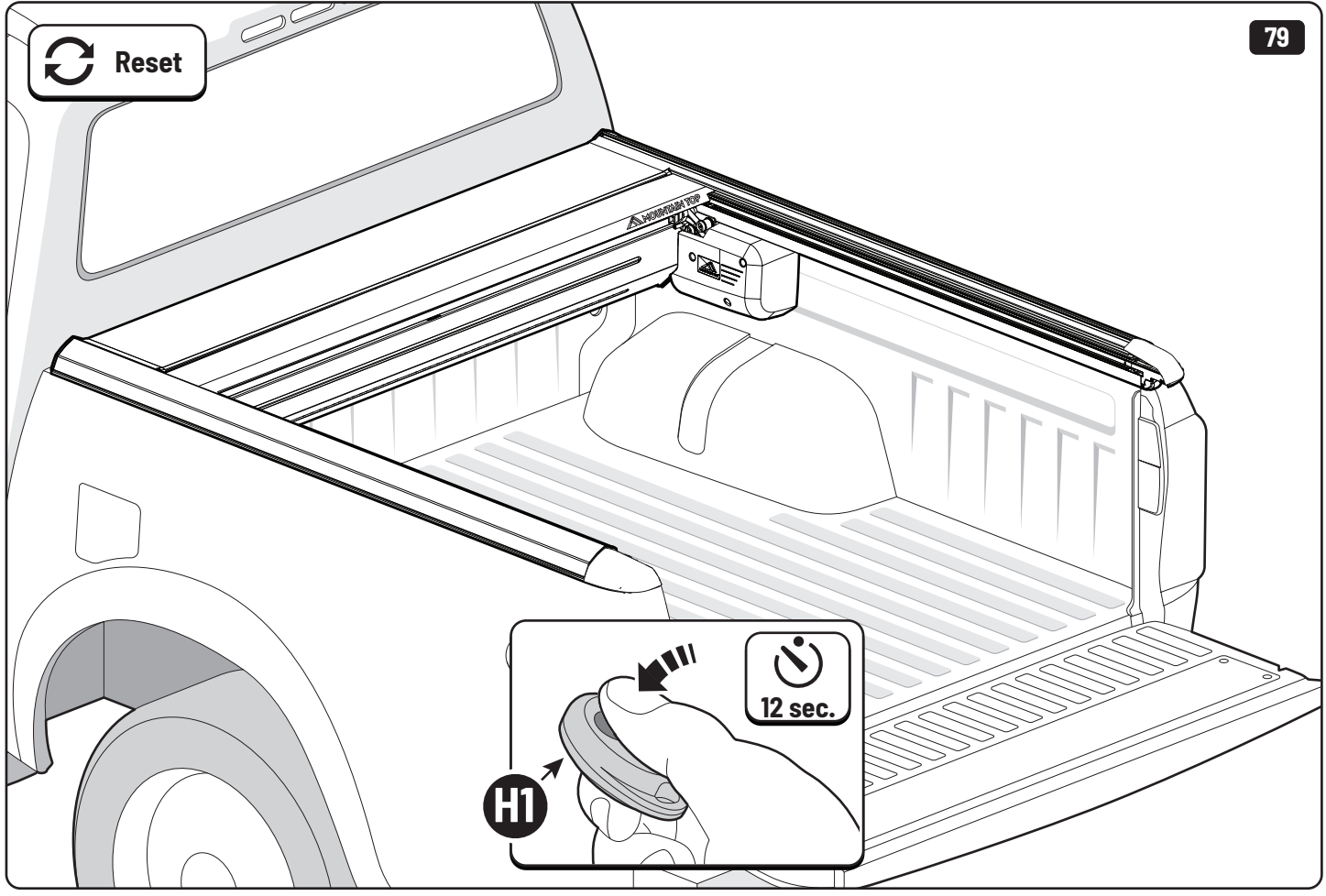
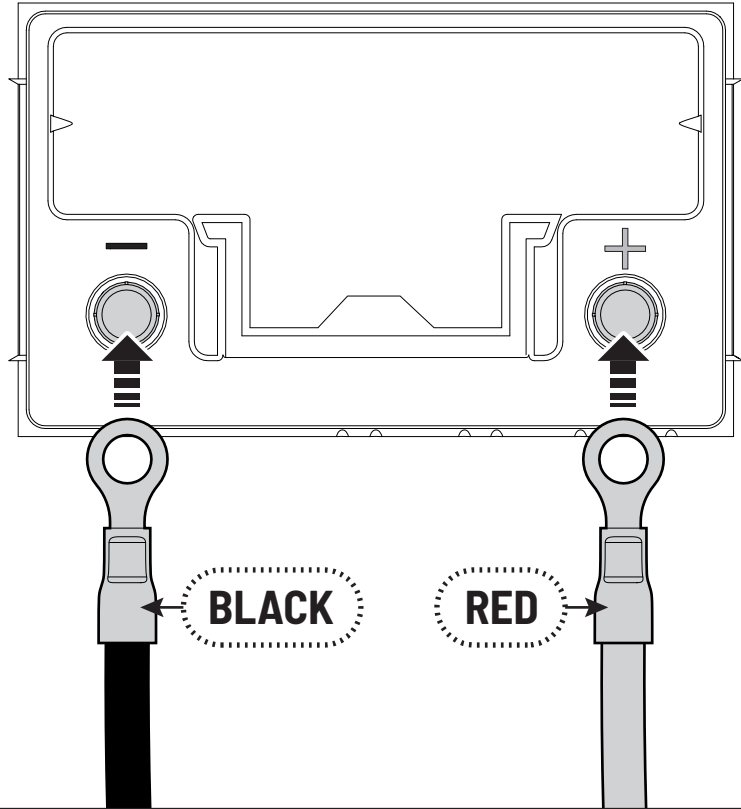


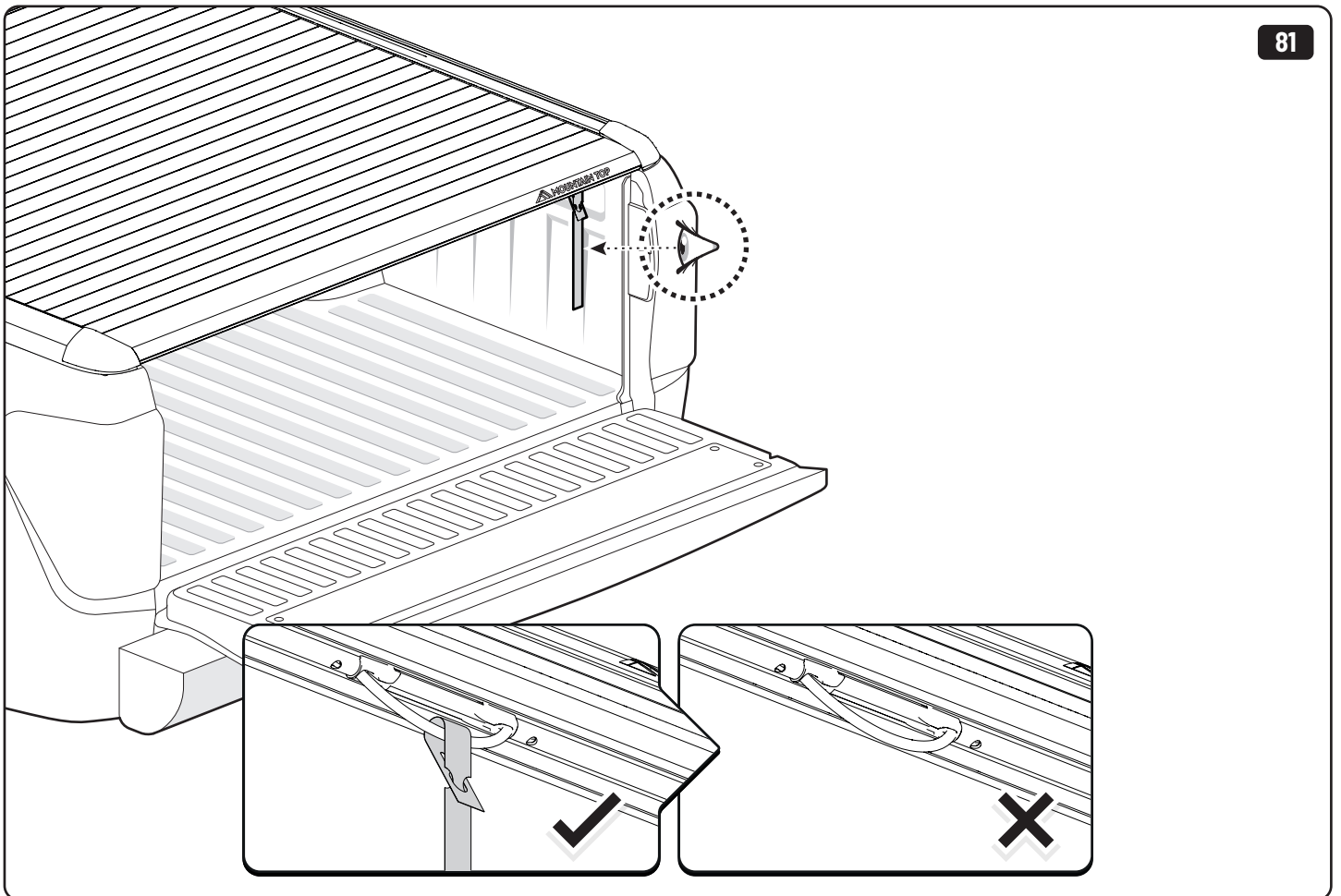
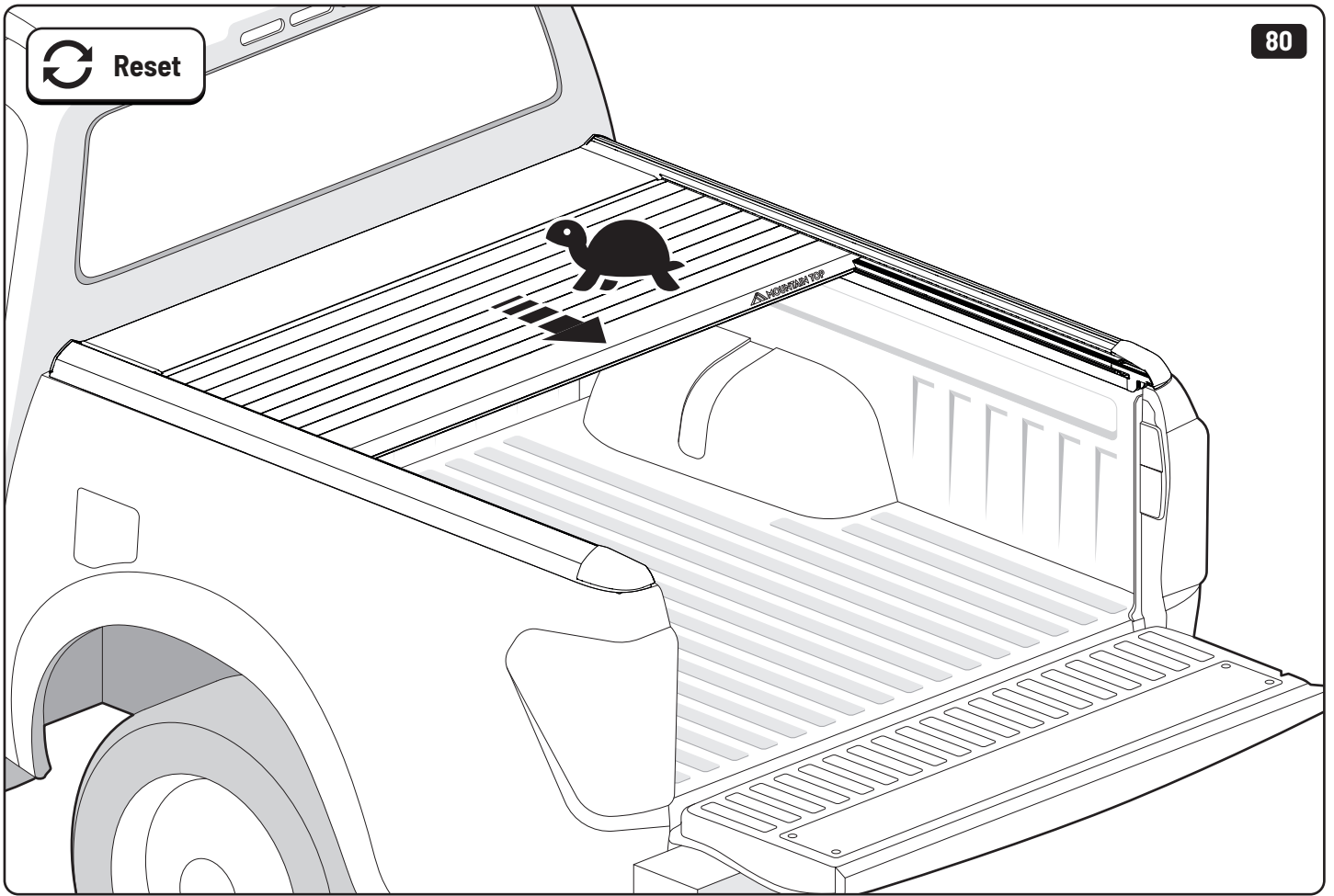














Steps	Page	Done by
Mounting rubber cross	8	
Mounting gliding rail in canister	15	
Holes for drain	23-25	
Width + Cross measurement	35	
Tightening the clamp screw	36-37	
Mounting drain	45	











Customer Service +45 4810 2950 (08:00 - 16:00 CET)  
Support info@mountaintop.dk  
Website www.mountaintop.dk  
Address Pedersholmparken 10, 3600 Frederikssund, Denmark

Part number (s)	Model / Year	Cab type (s)	Installation time	Weight
EVOe IS10 AB01	Isuzu / 2020 ->	Double Cab	1 hour (s)	43 kg
EVOe IS11 AB01	Isuzu / 2020 ->	Extra Cab	1 hour (s)	48 kg
EVOe F090 AB01	Ranger / 2011 ->	Double Cab	1 hour (s)	42 kg
EVOe F090 AB01	Raptor / 2018 ->	Double Cab	1 hour (s)	42 kg

<b>GB</b> Installation manual	<b>S</b> Monteringsanvisning	<b>D</b> Einbauanleitung
<b>SF</b> Asennusohje	<b>E</b> Instrucciones de montaje	<b>CZ</b> Návod k instalaci
<b>F</b> Notice de montage	<b>H</b> Szerelési utasítás	<b>I</b> Istruzioni di montaggio
<b>PL</b> Instrukcja montażu	<b>P</b> Instruções de instalação	<b>GR</b> Οδηγίες Εγκατάστασης
<b>NL</b> Installatie-instructies	<b>RUS</b> Инструкция по установке	<b>DK</b> Monteringsvejledning
<b>TR</b> Montaj Talimatı	<b>N</b> Monteringsveiledning	<b>RO</b> Instructiuni de instalare