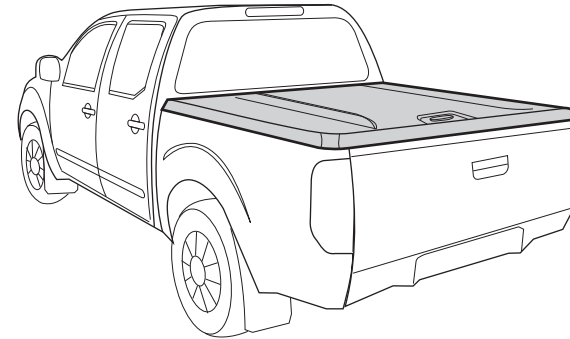


Abdeckung AERO / Cover AERO

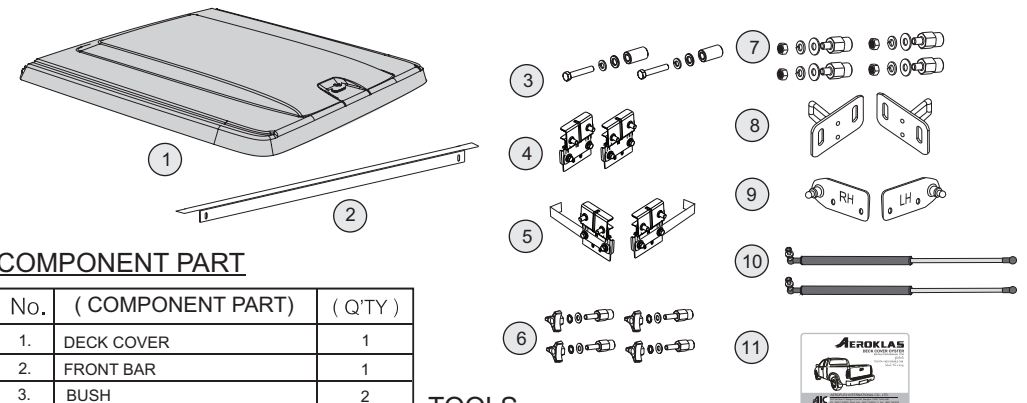
INSTALLATION MANUAL FOR

FORD NEW RANGER '11 DOUBLE CAB



Ullstein Concepts GmbH · Bahnhofstr. 20 · 85416 Langenbach
www.ullsteinconcepts.com - Telefon +49 (0) 89 80 99 02 88 - 0

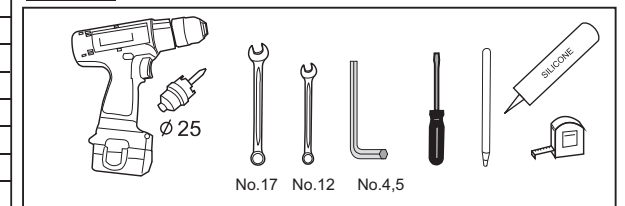
PART LIST



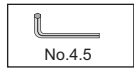
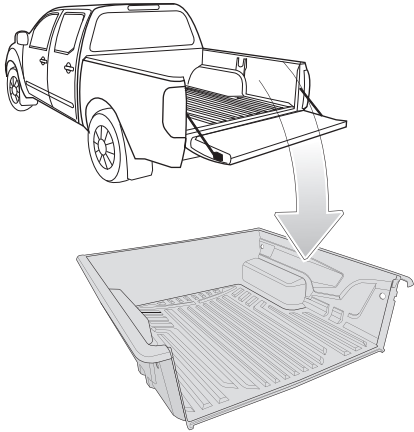
COMPONENT PART

No.	(COMPONENT PART)	(Q'TY)
1.	DECK COVER	1
2.	FRONT BAR	1
3.	BUSH	2
4.	FRONT CLAMP	2
5.	REAR CLAMP RH/LH	1/1
6.	FRONT EXTENSION BOLT	4
7.	REAR EXTENSION BOLT	4
8.	ASSY PLATE LOCK V2	2
9.	ASSY LOWER PLATE FOR GAS STRUT RHLH	1/1
10.	GAS STRUT	2
11.	INSTALLATION MANUAL	1

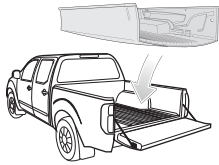
TOOLS



1

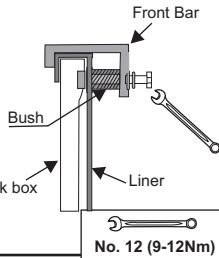
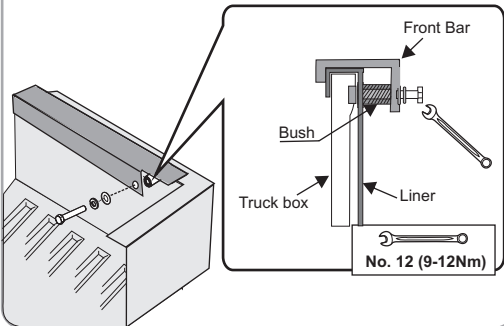
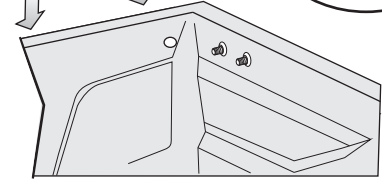


4



SILICONE

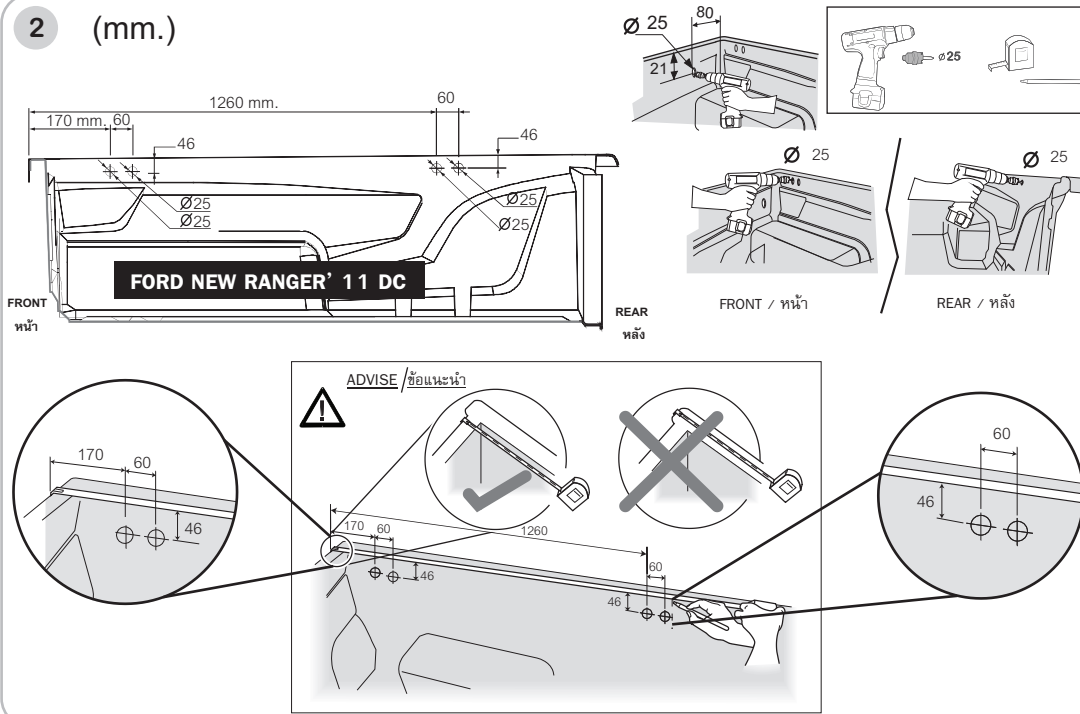
FRONT BAR



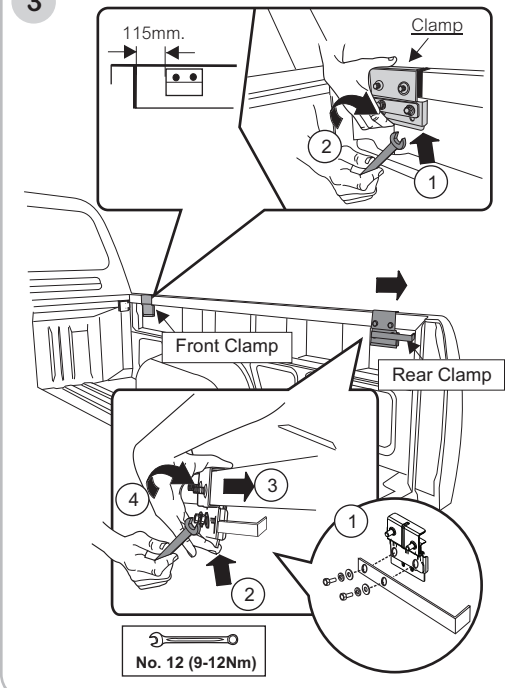
No. 12 (9-12Nm)

2

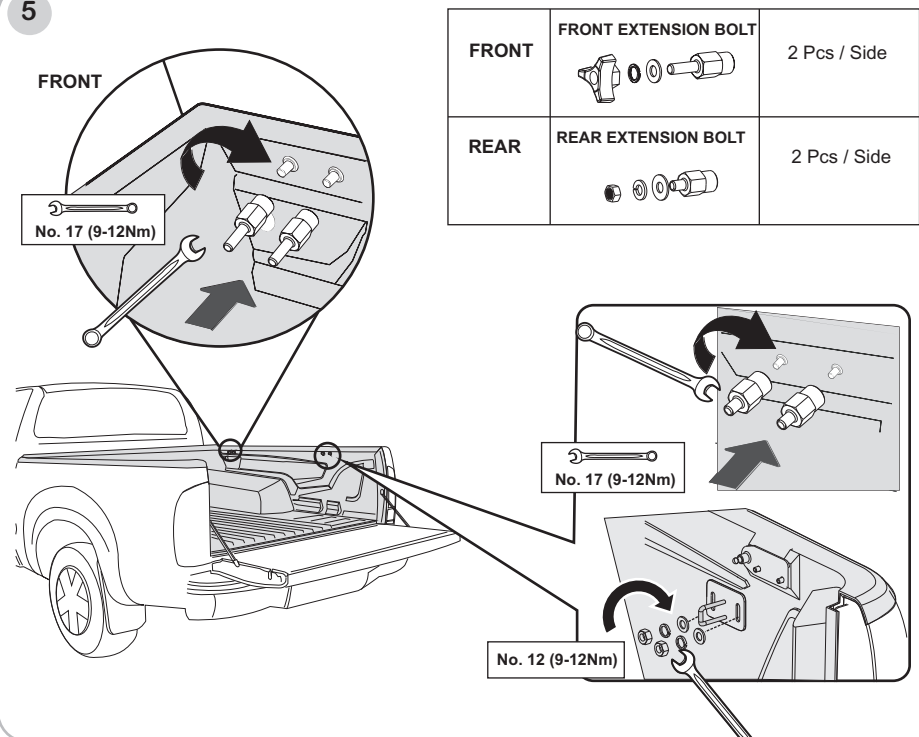
(mm.)



3



5



6

