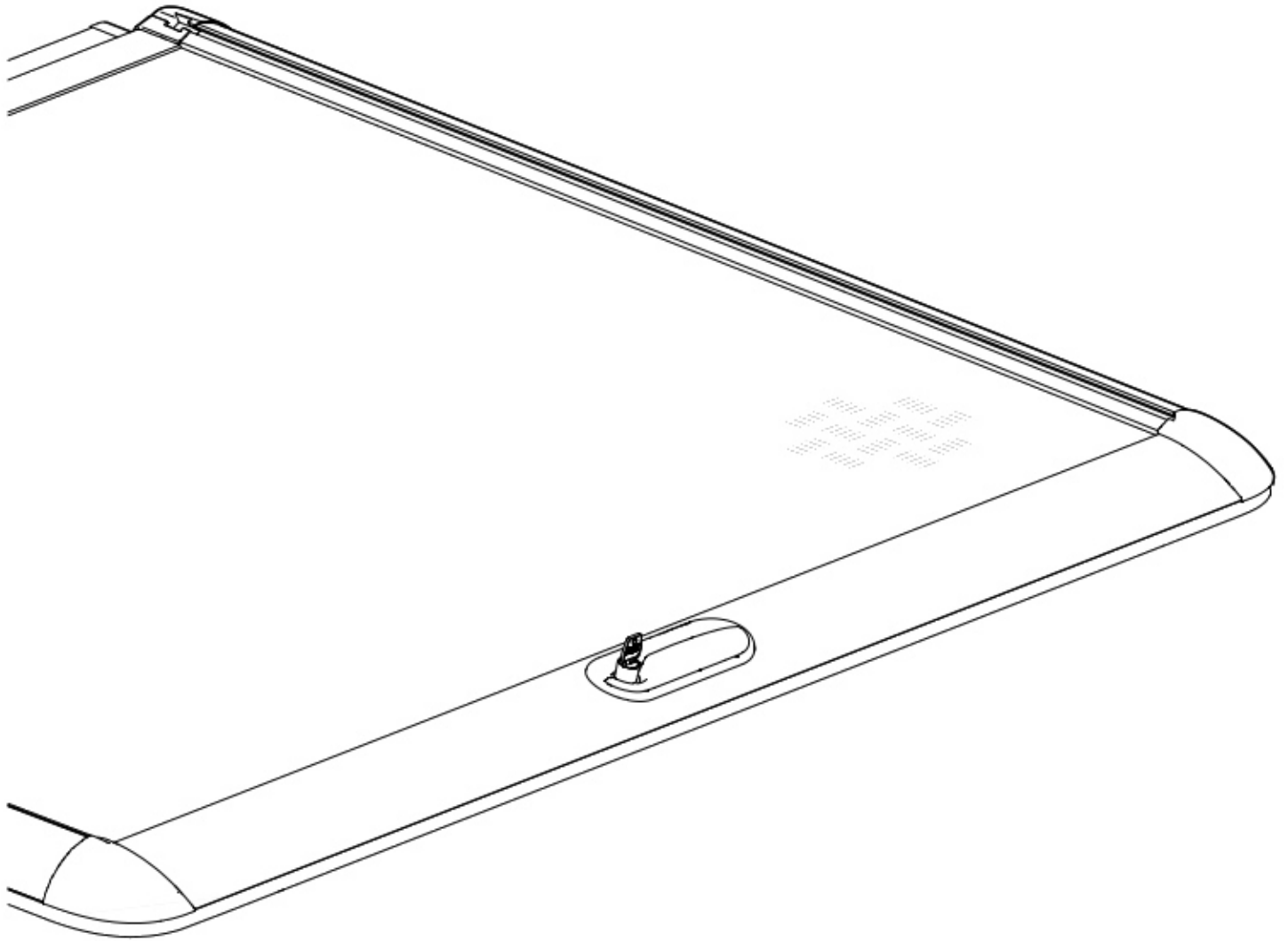


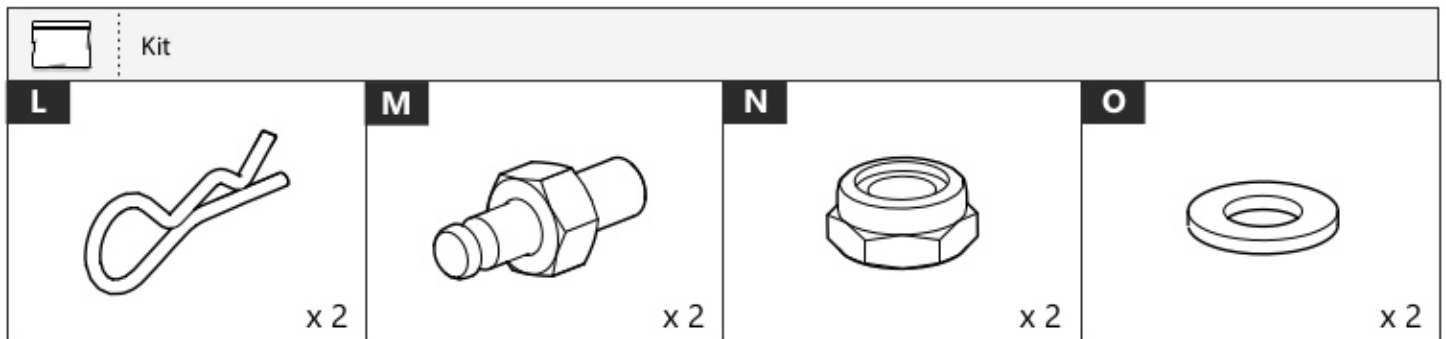
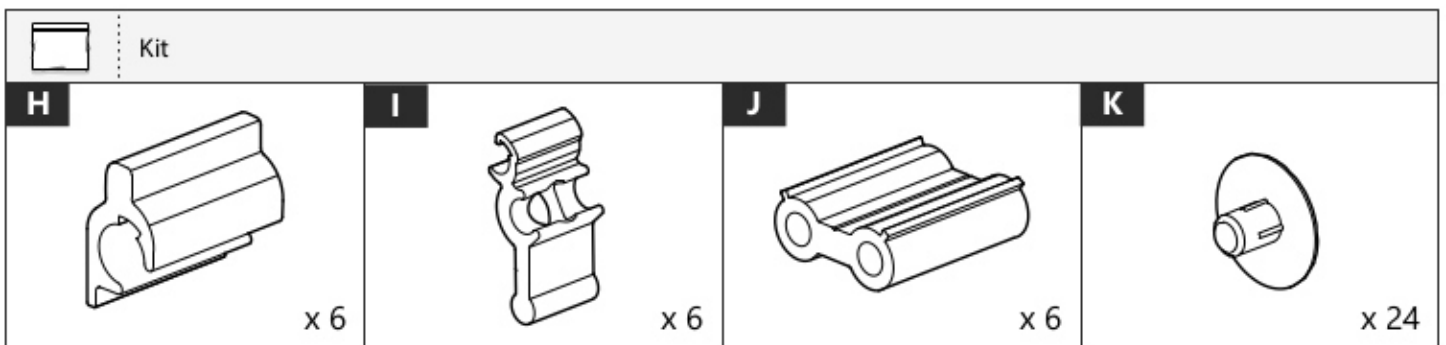
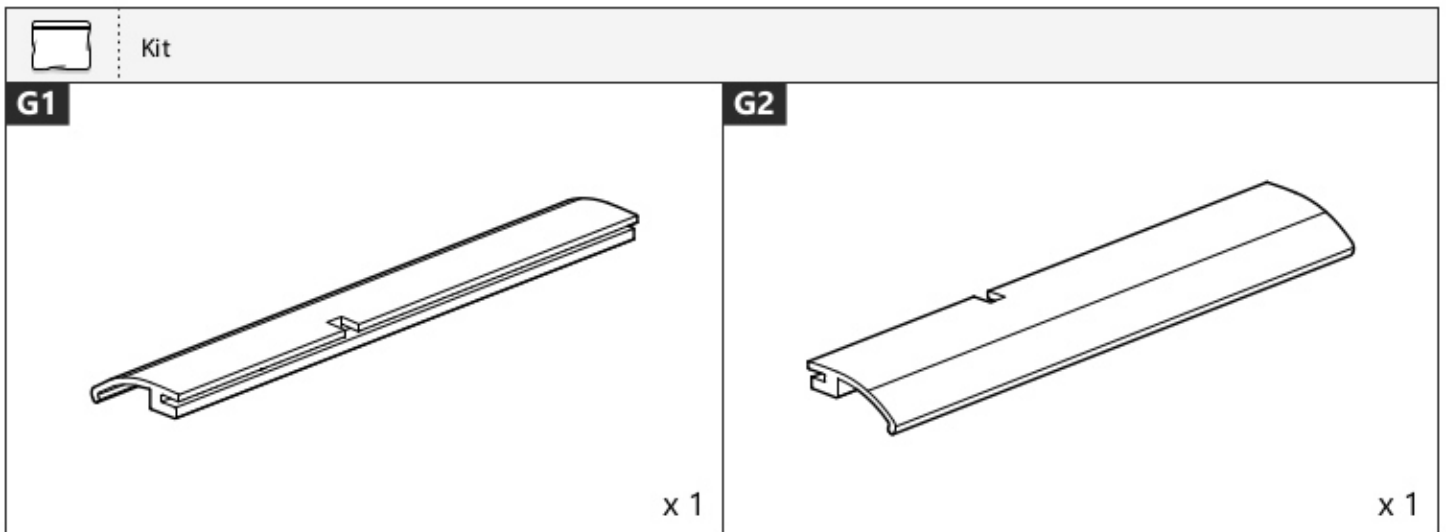
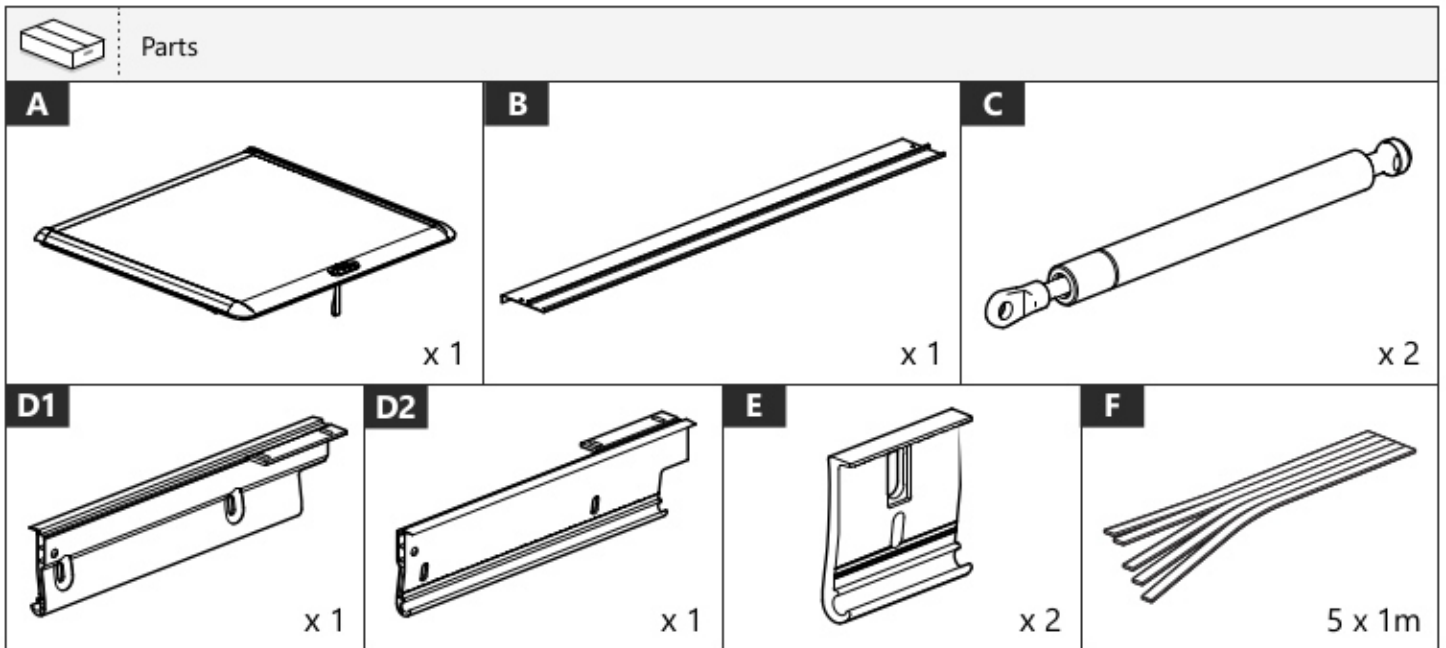


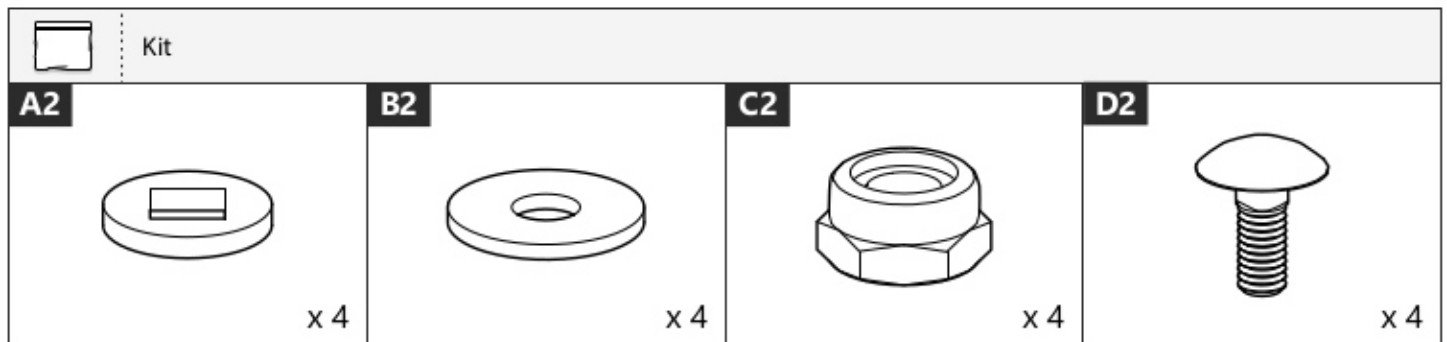
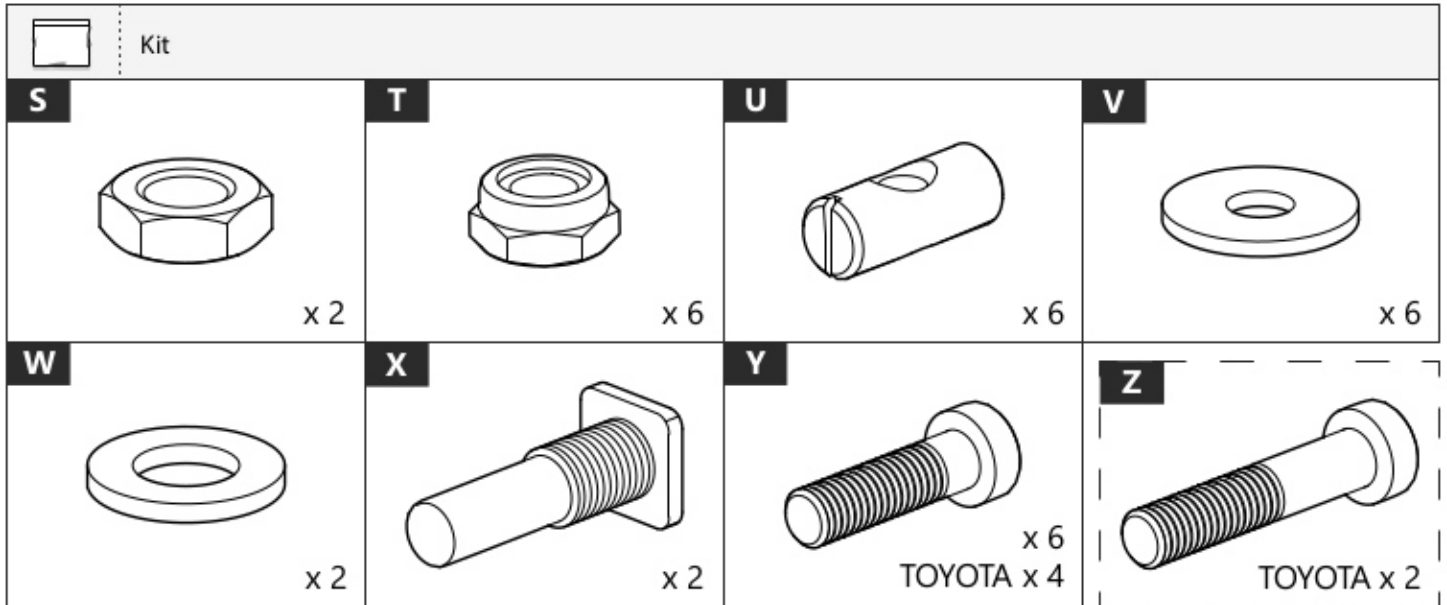
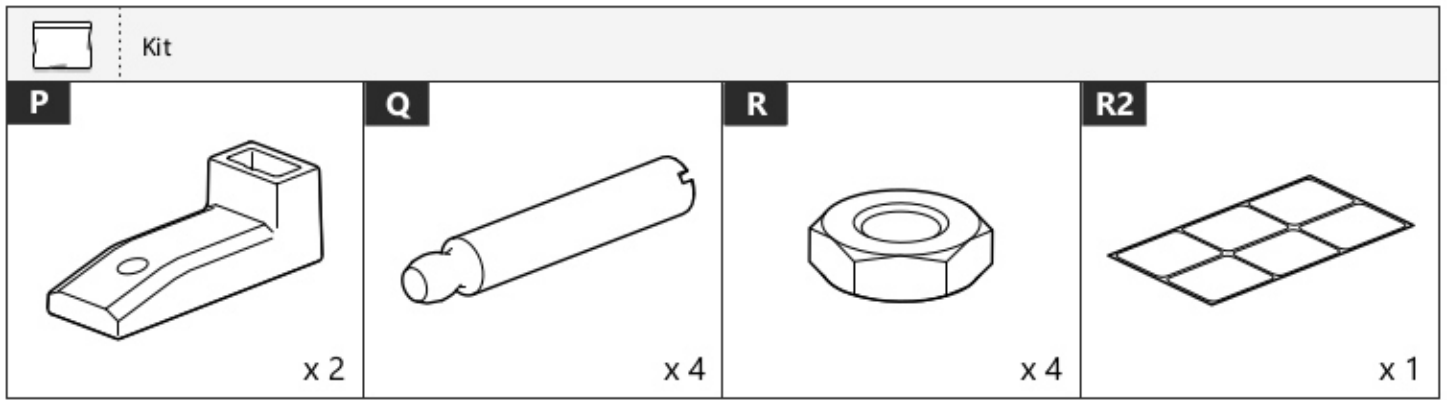
**ULLSTEIN**  
**CONCEPTS**  
GMBH



**Mountain Top Style HD Plus mit uml. Reling /  
Mountain Top Style HD Plus with rail**

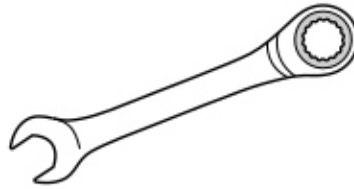
Installation manual





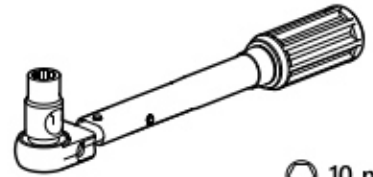


### Tools and materials needed



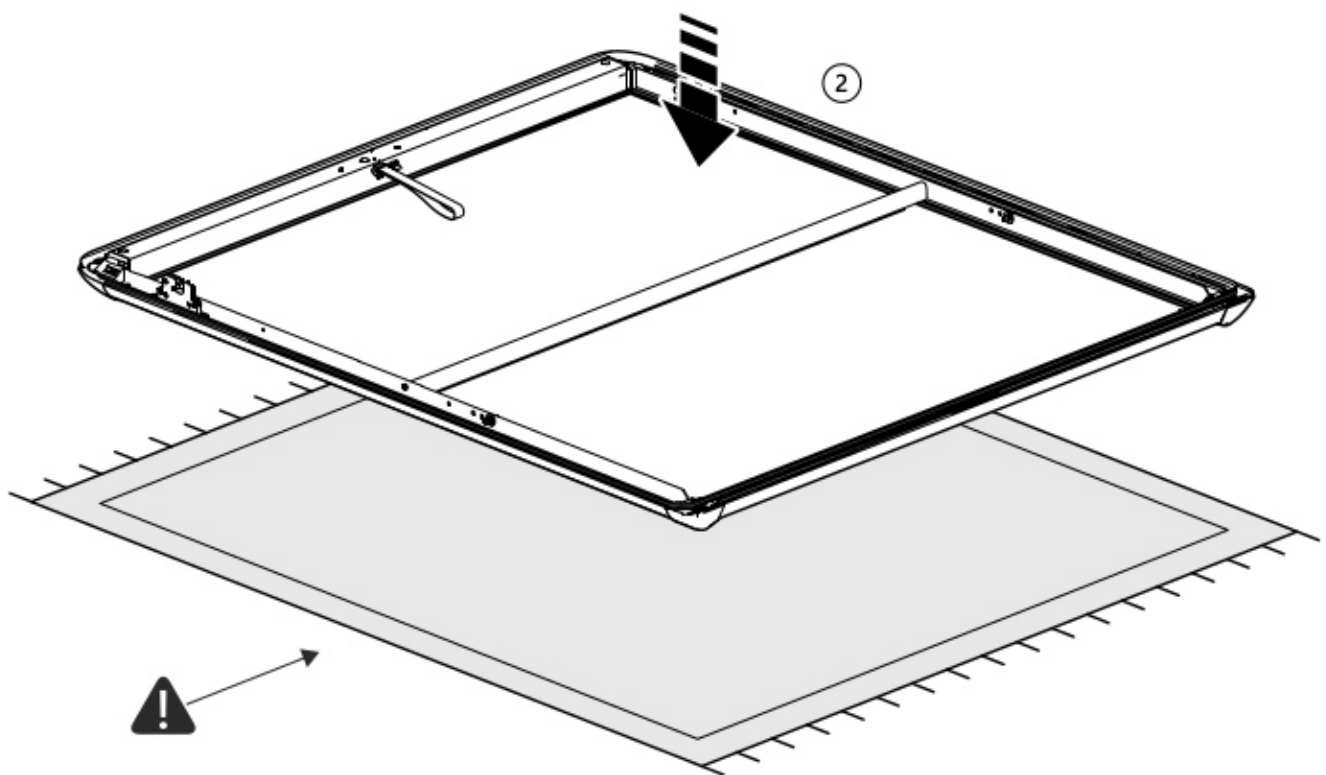
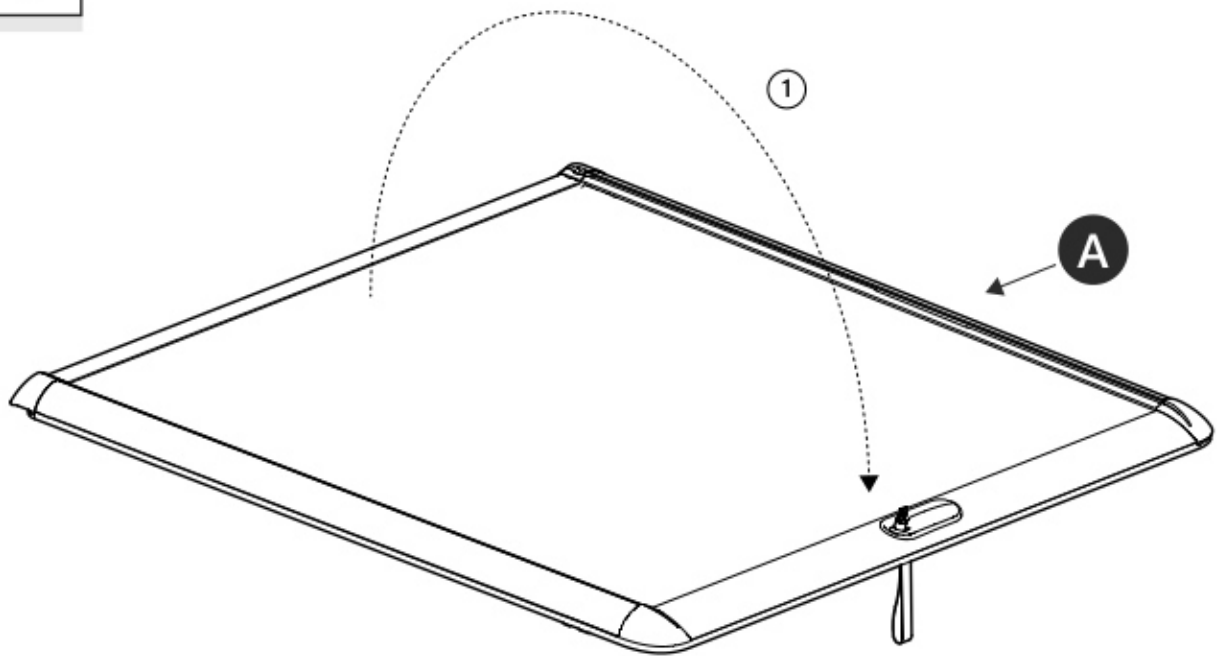
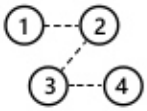
19 mm

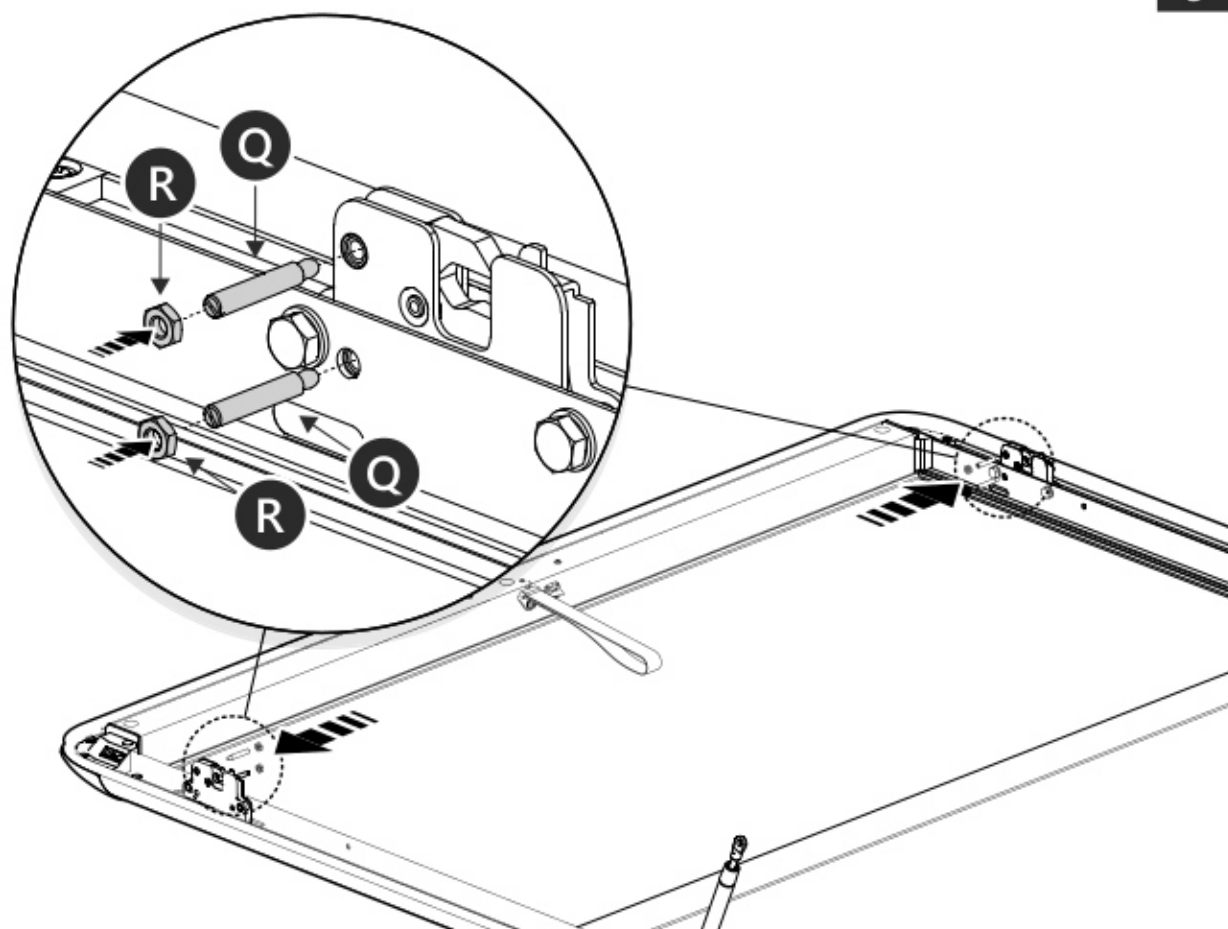
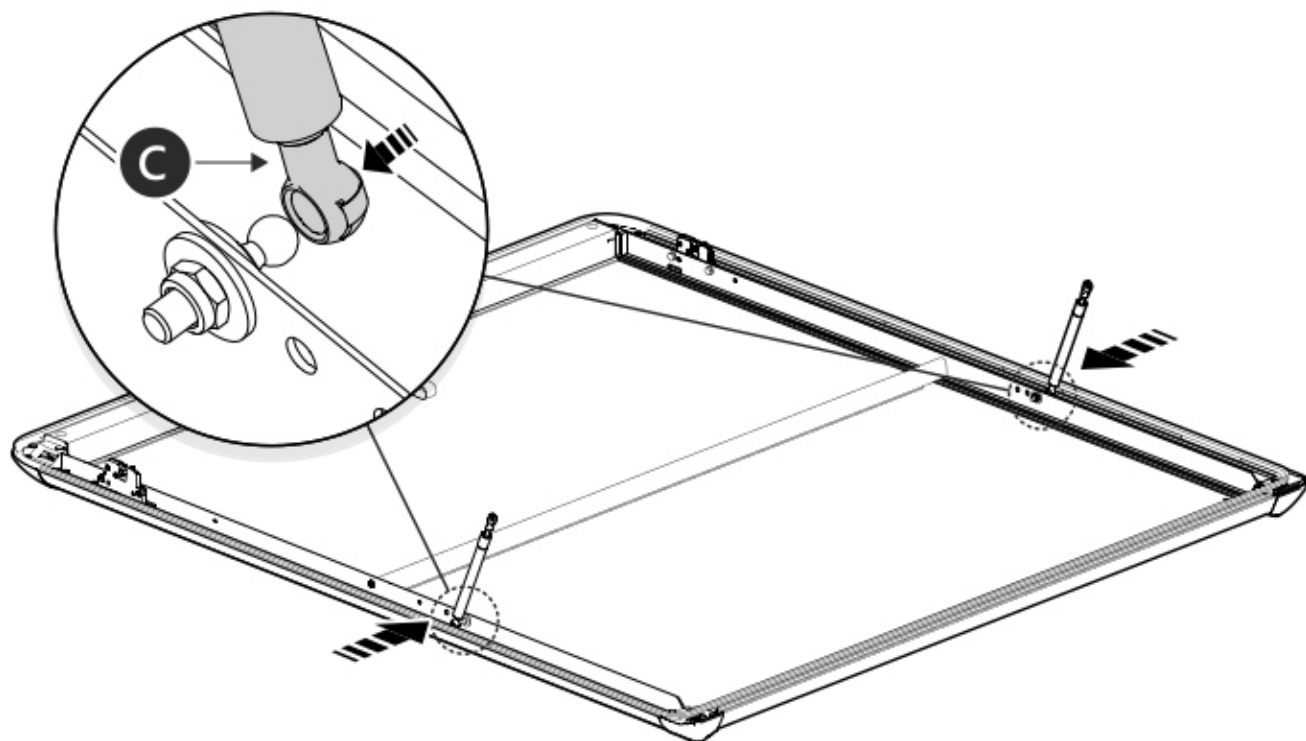
1-25 Nm

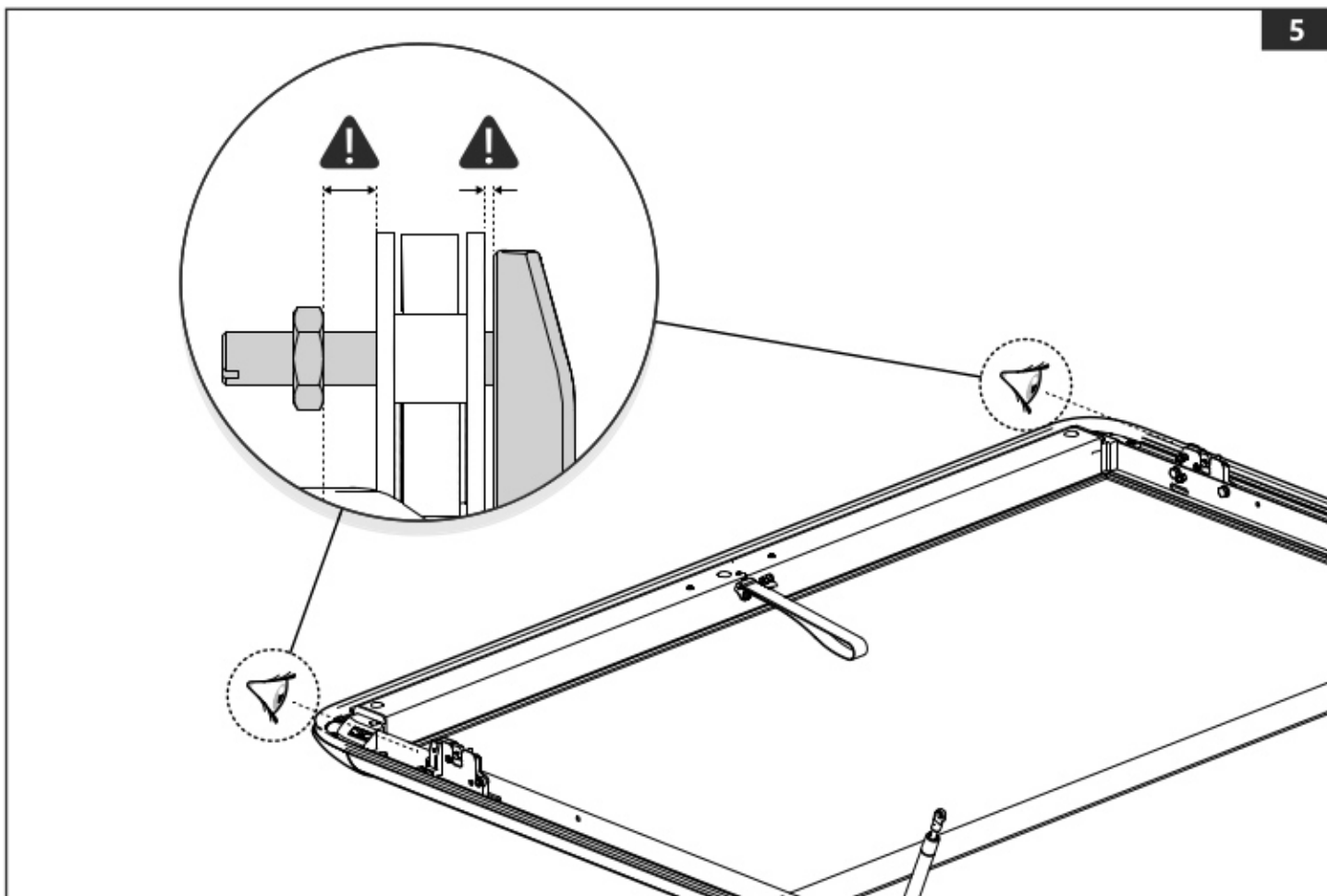
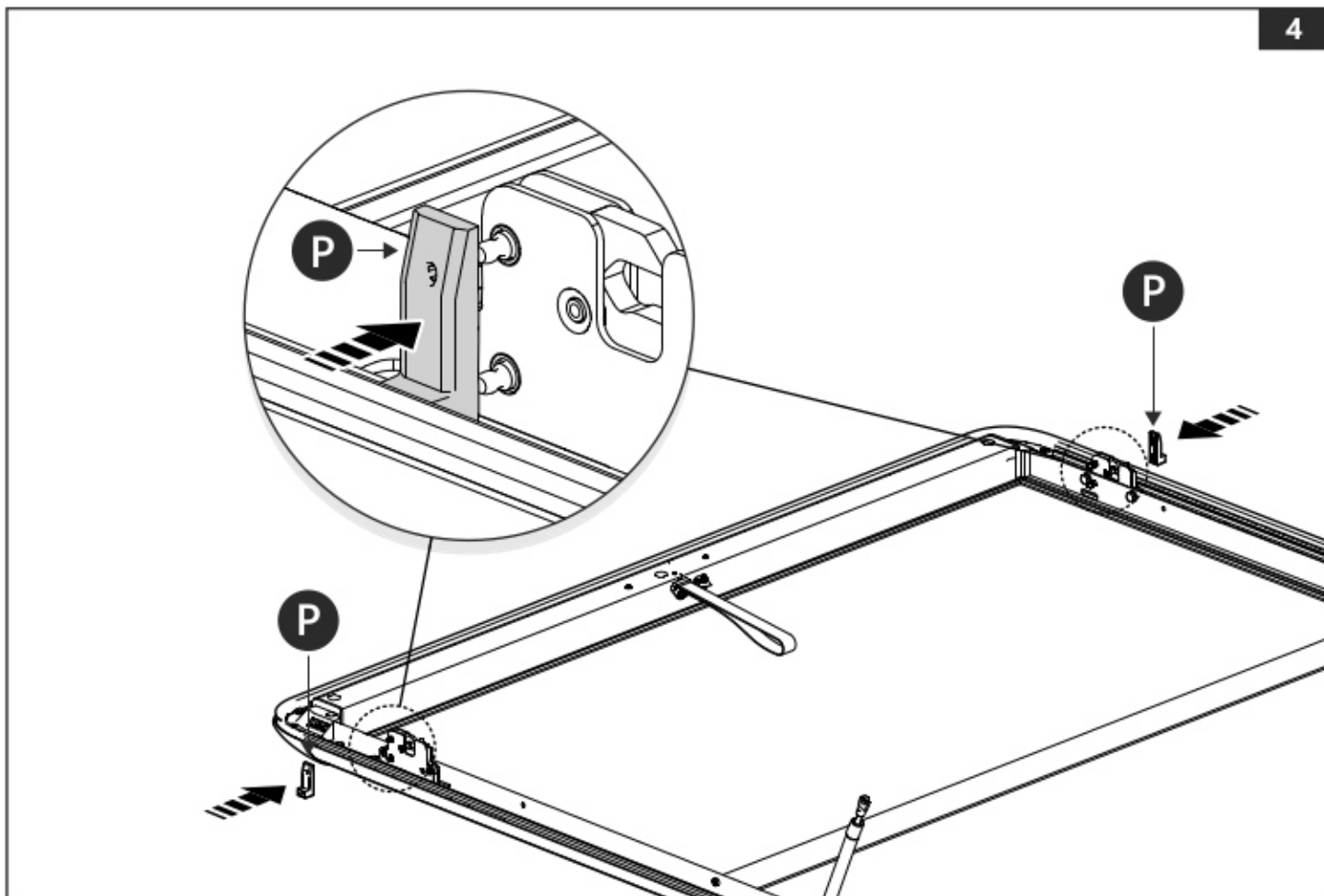


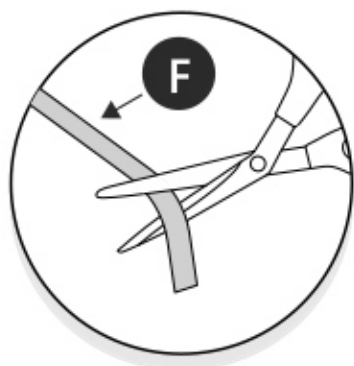
- 10 mm
- 5 mm



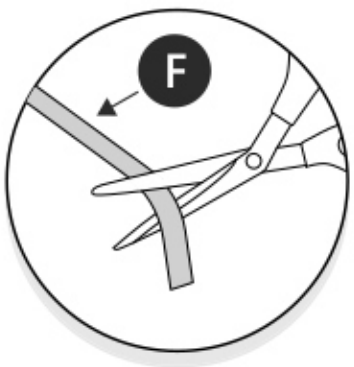
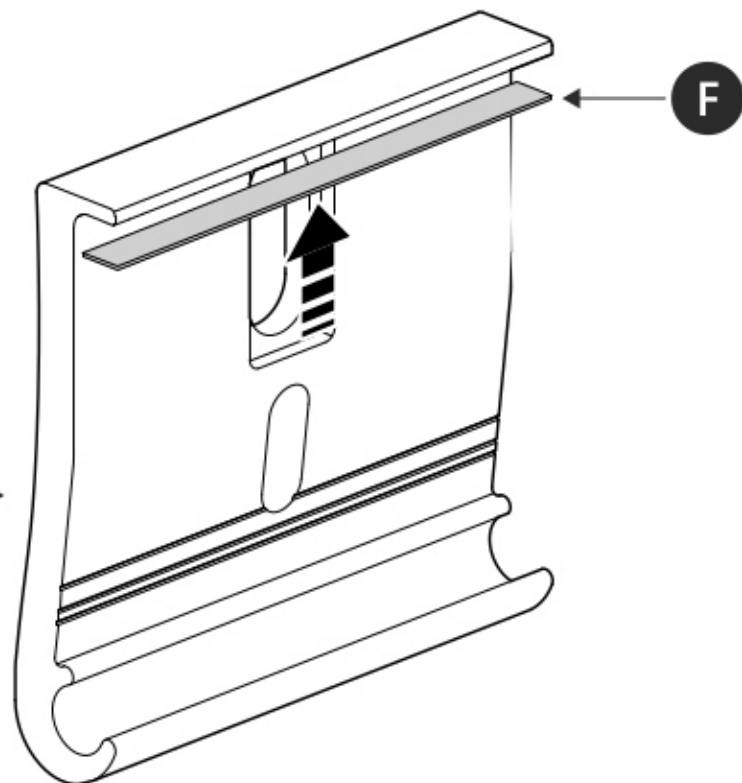






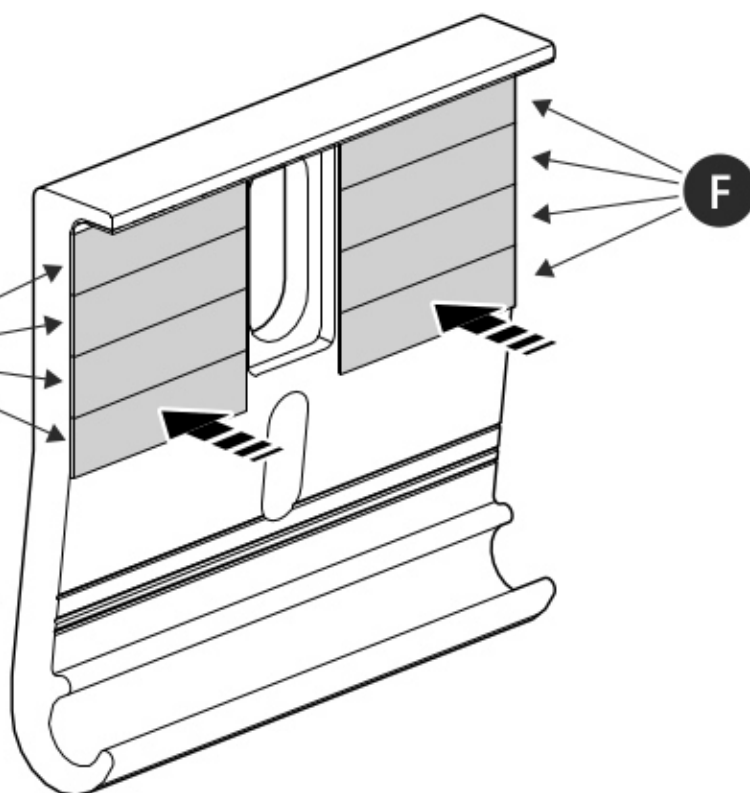


E

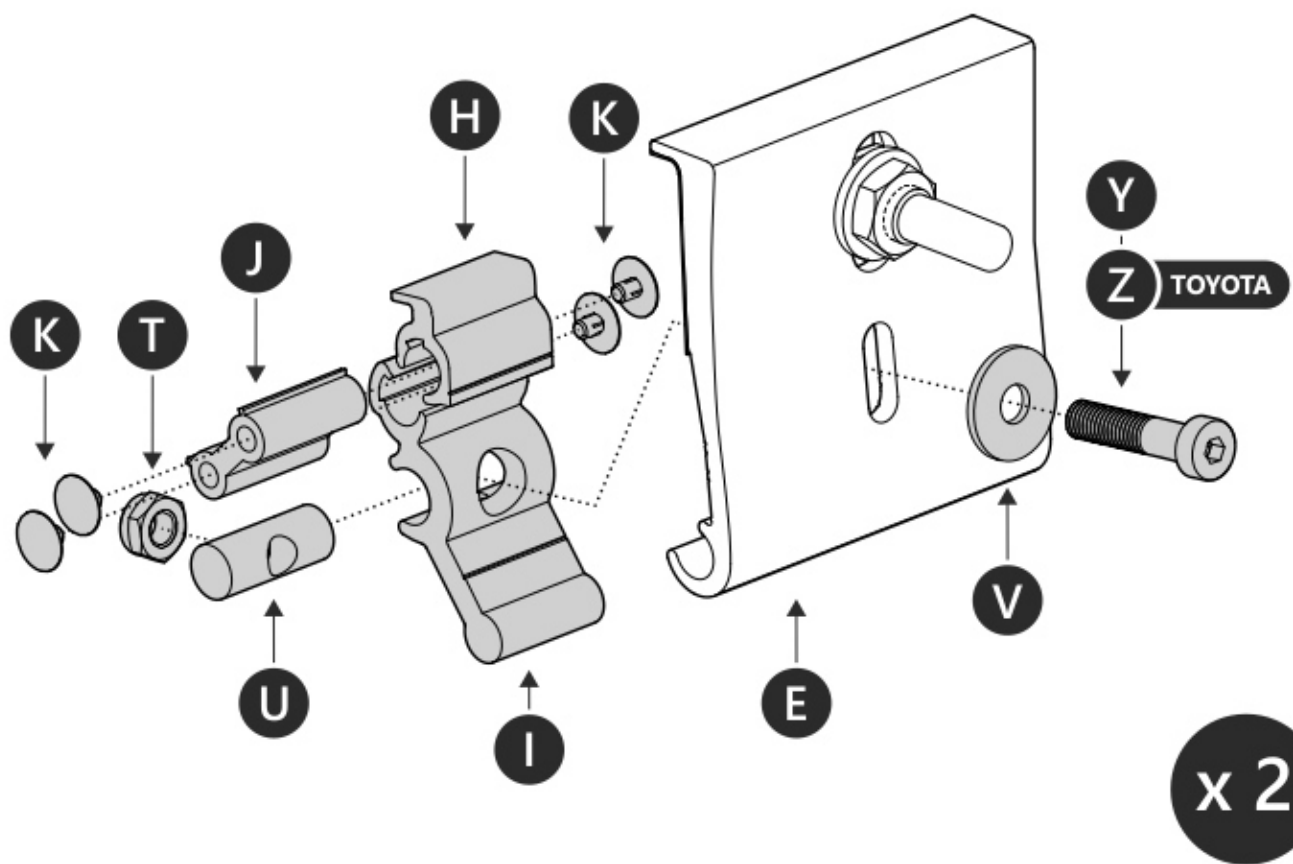
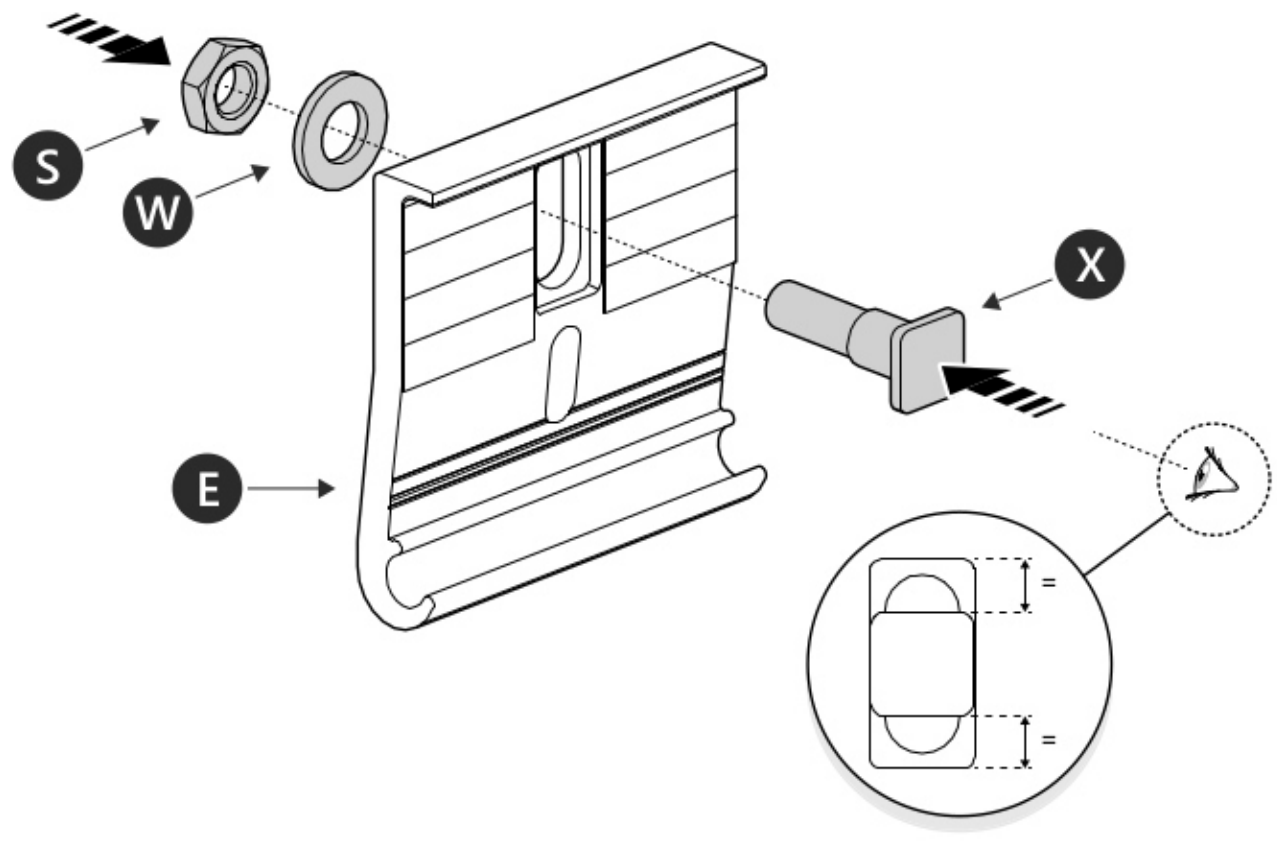


F

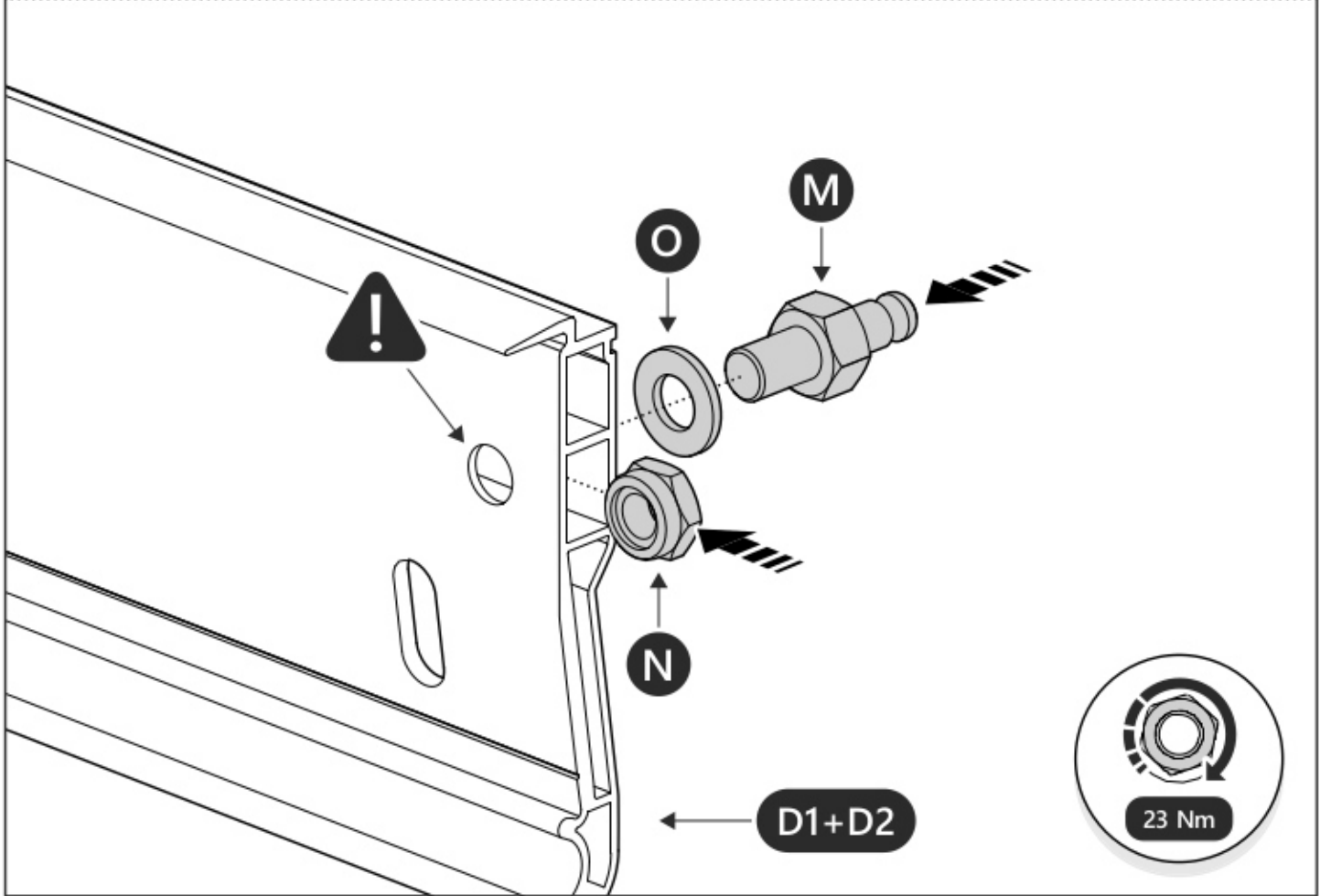
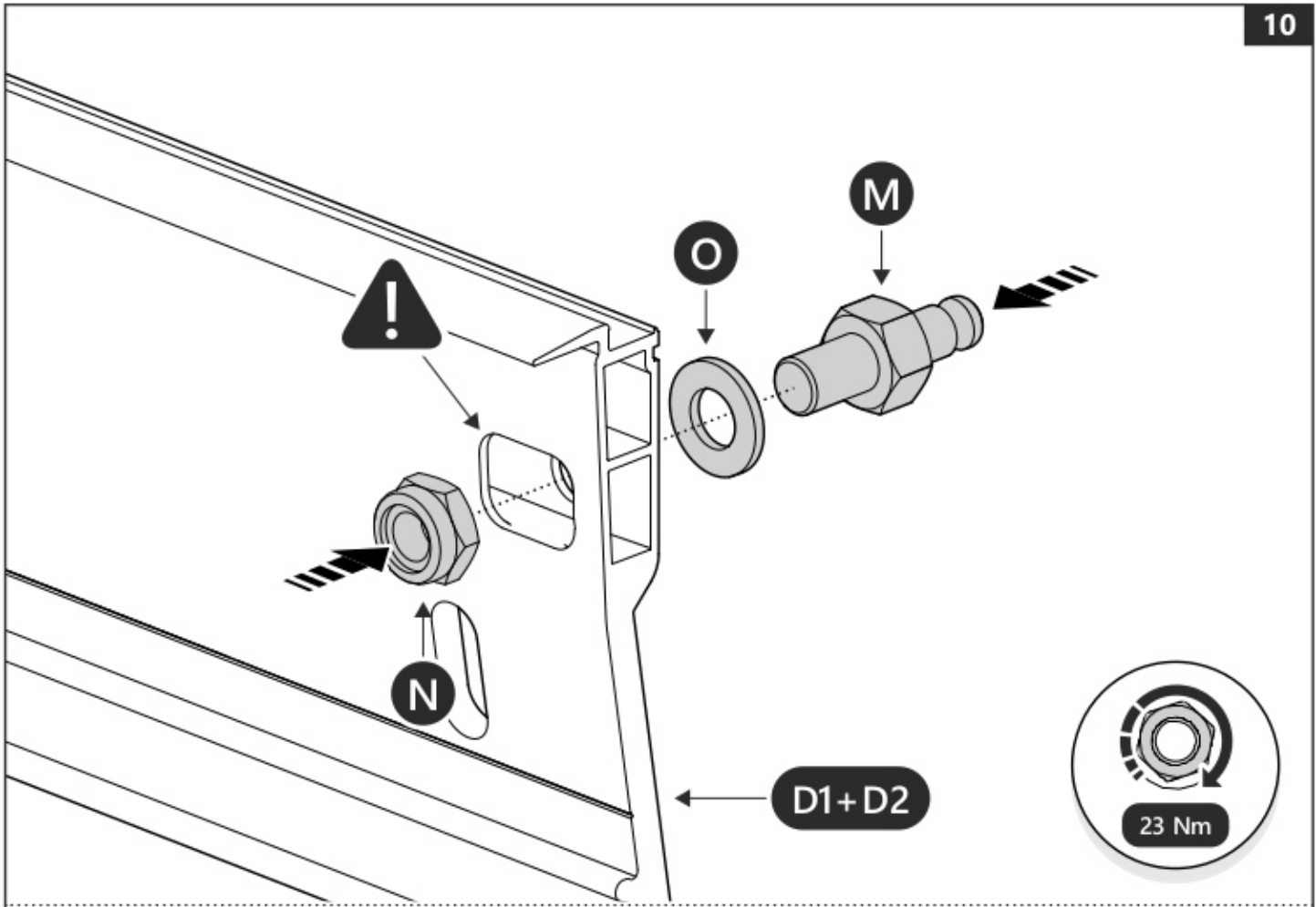
E

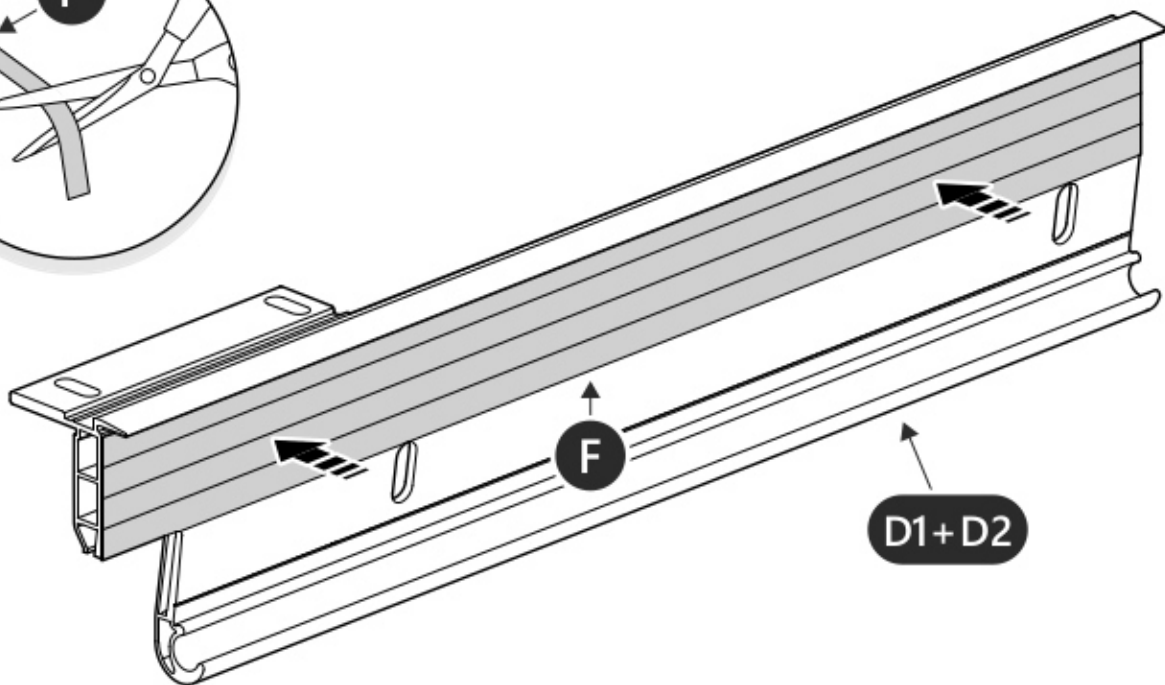
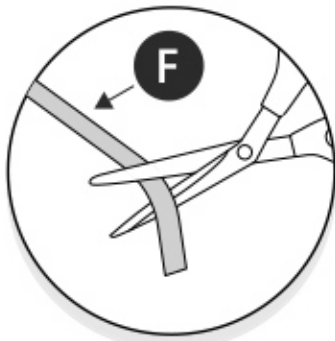
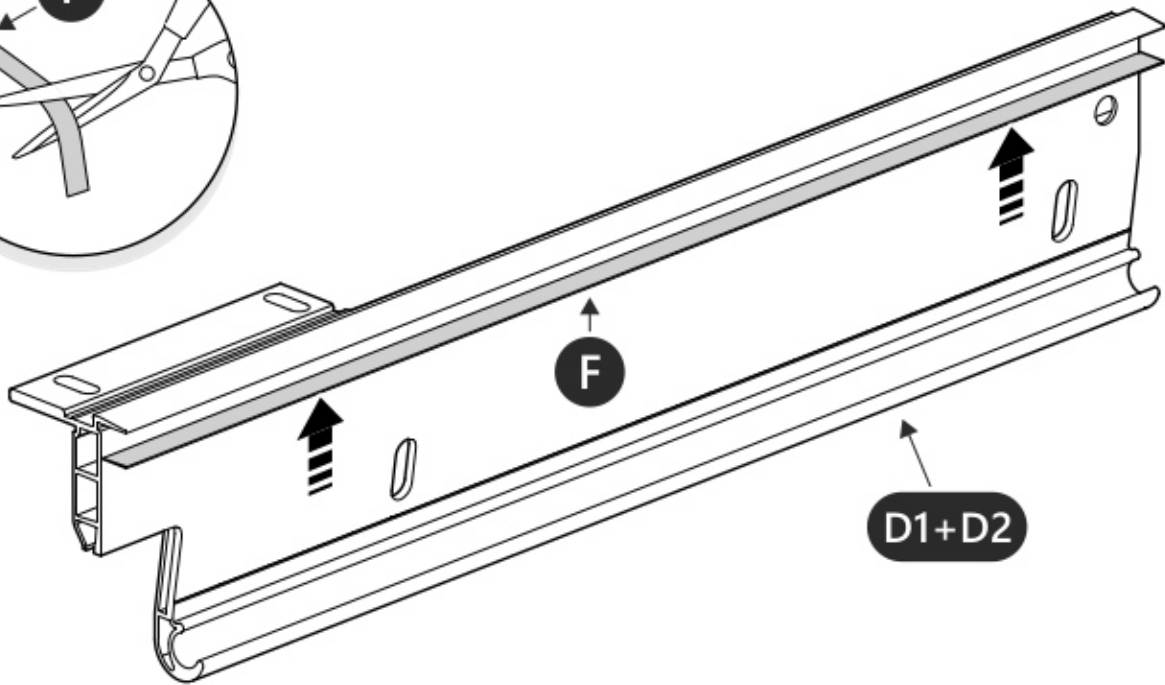
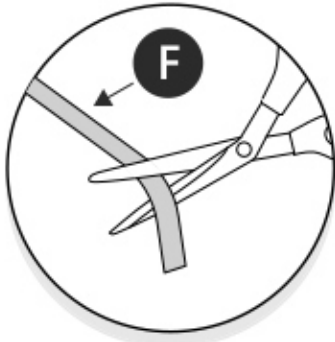


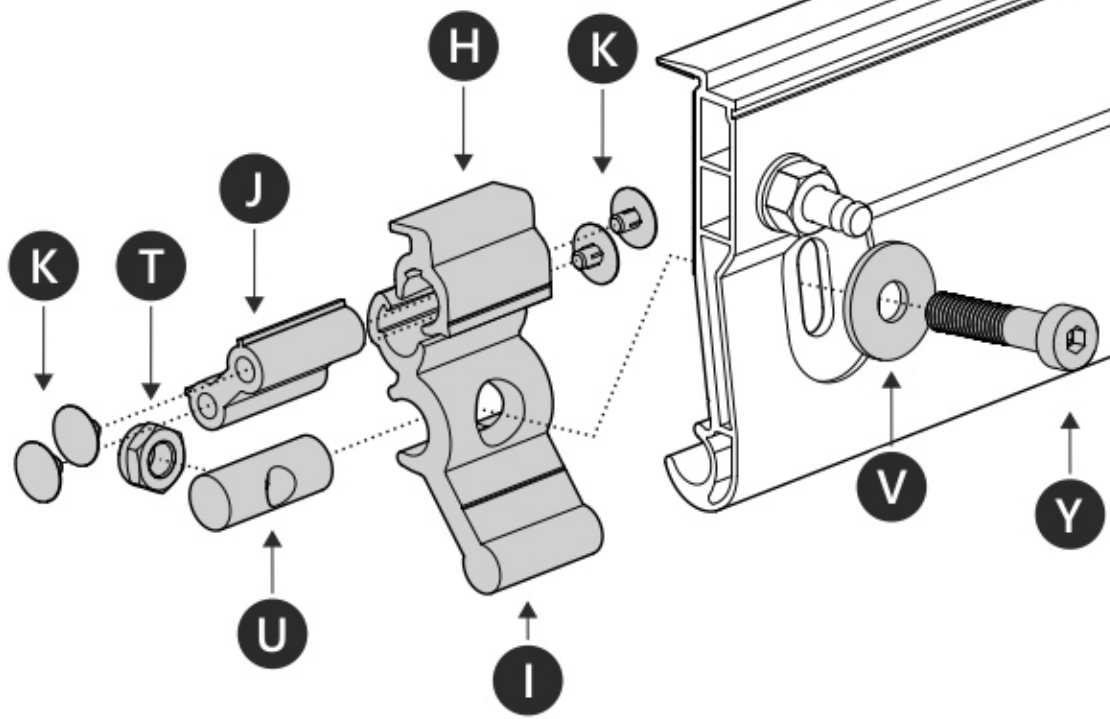




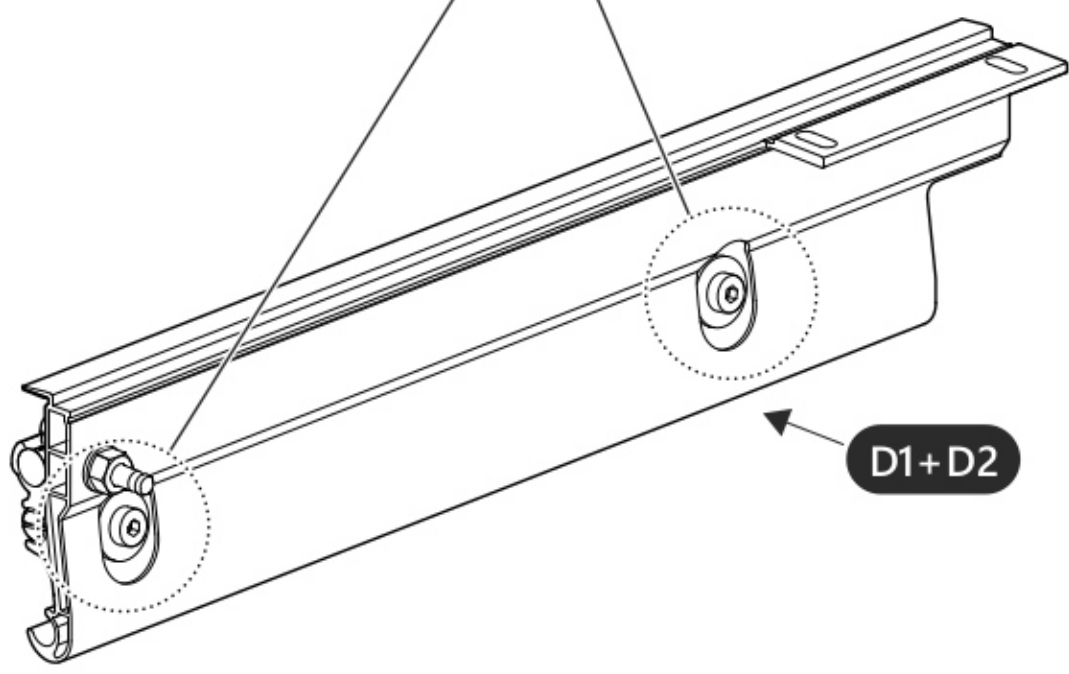
x 2

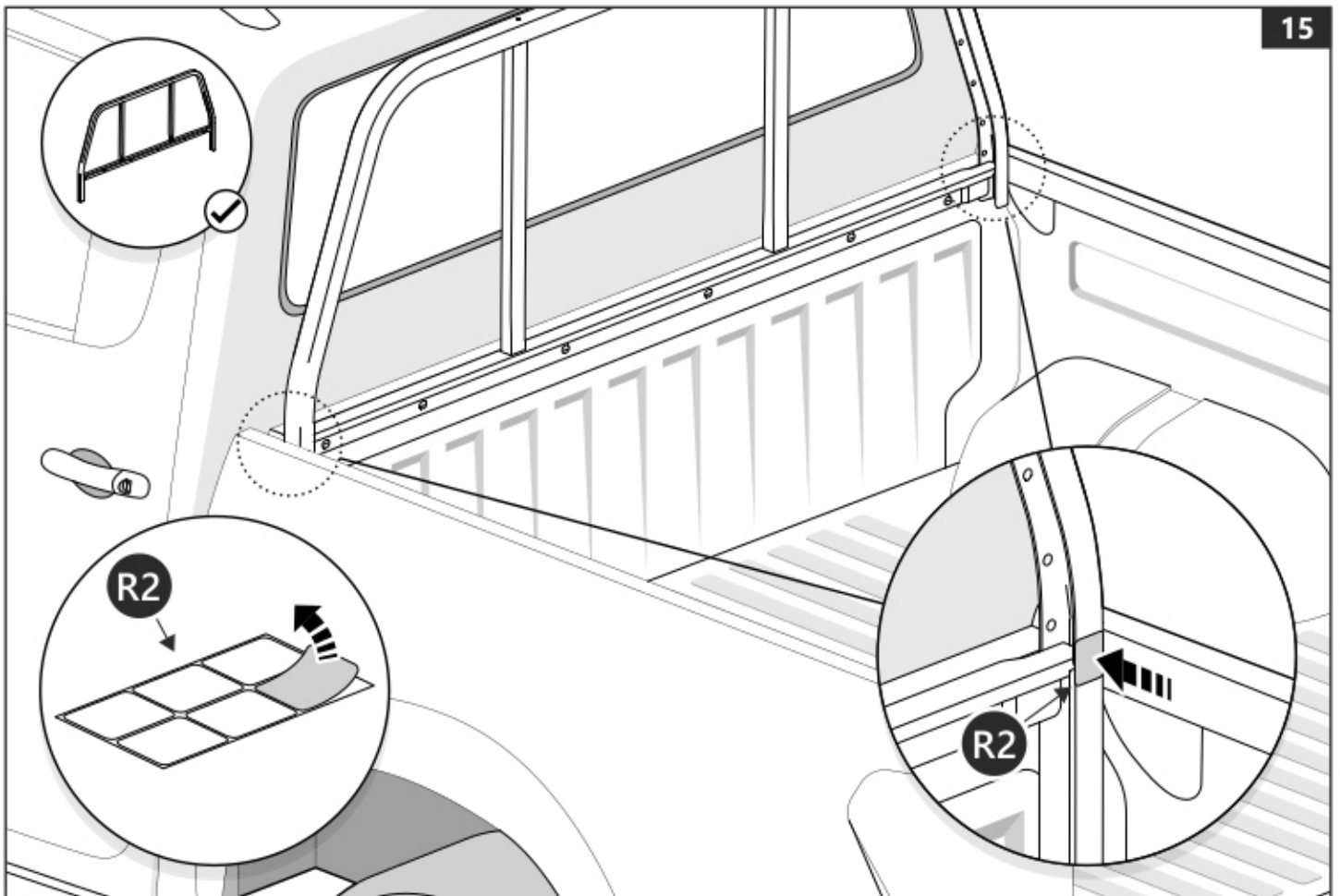
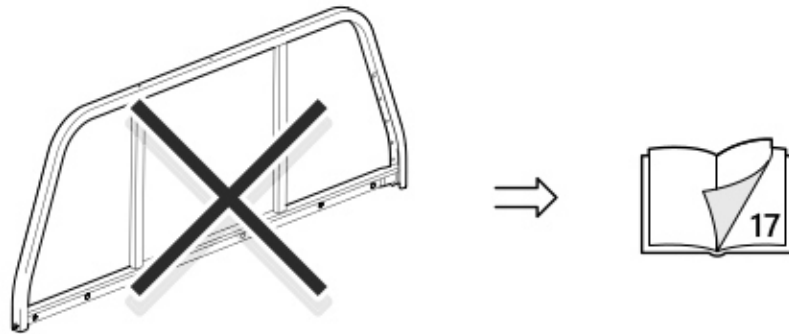


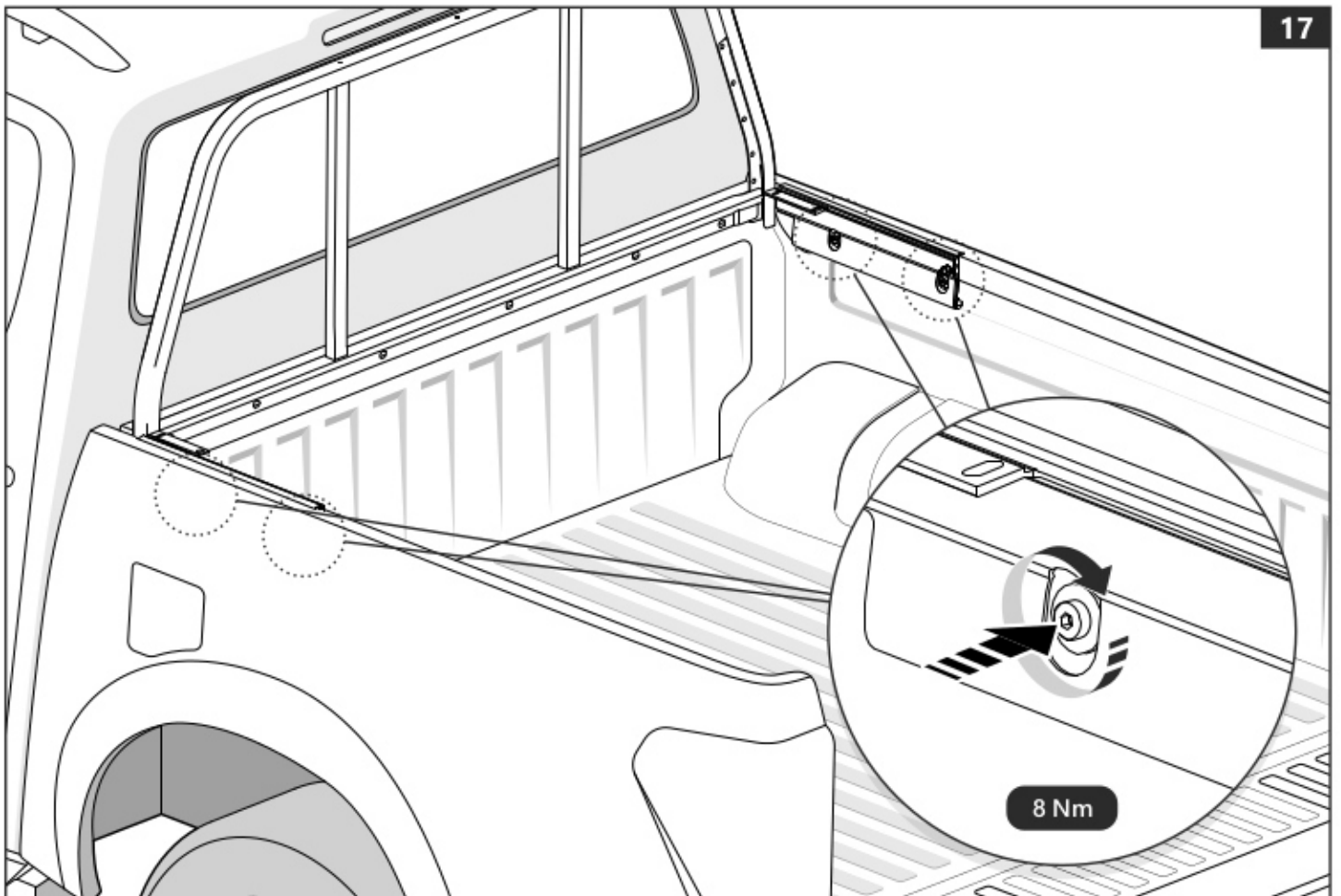
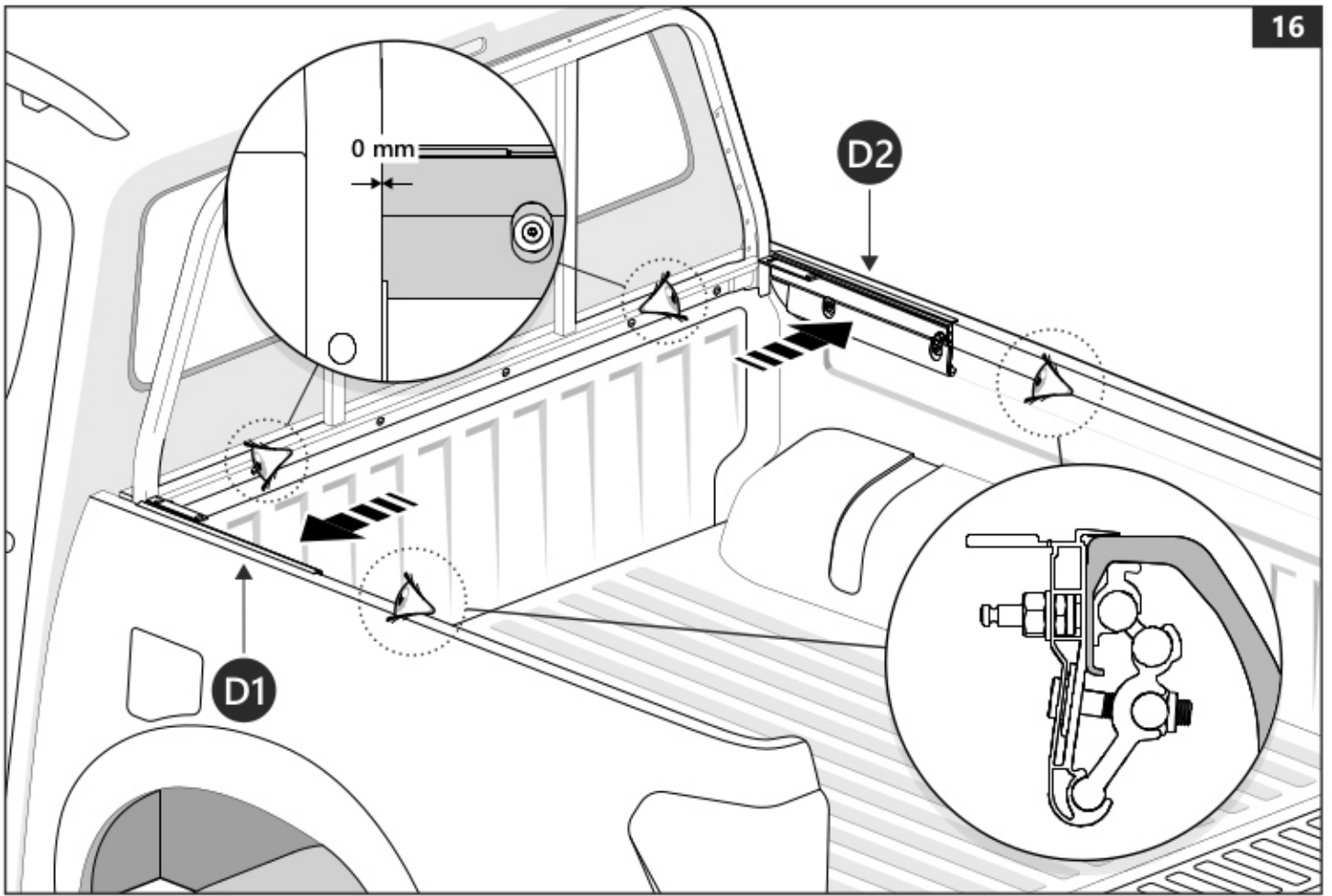


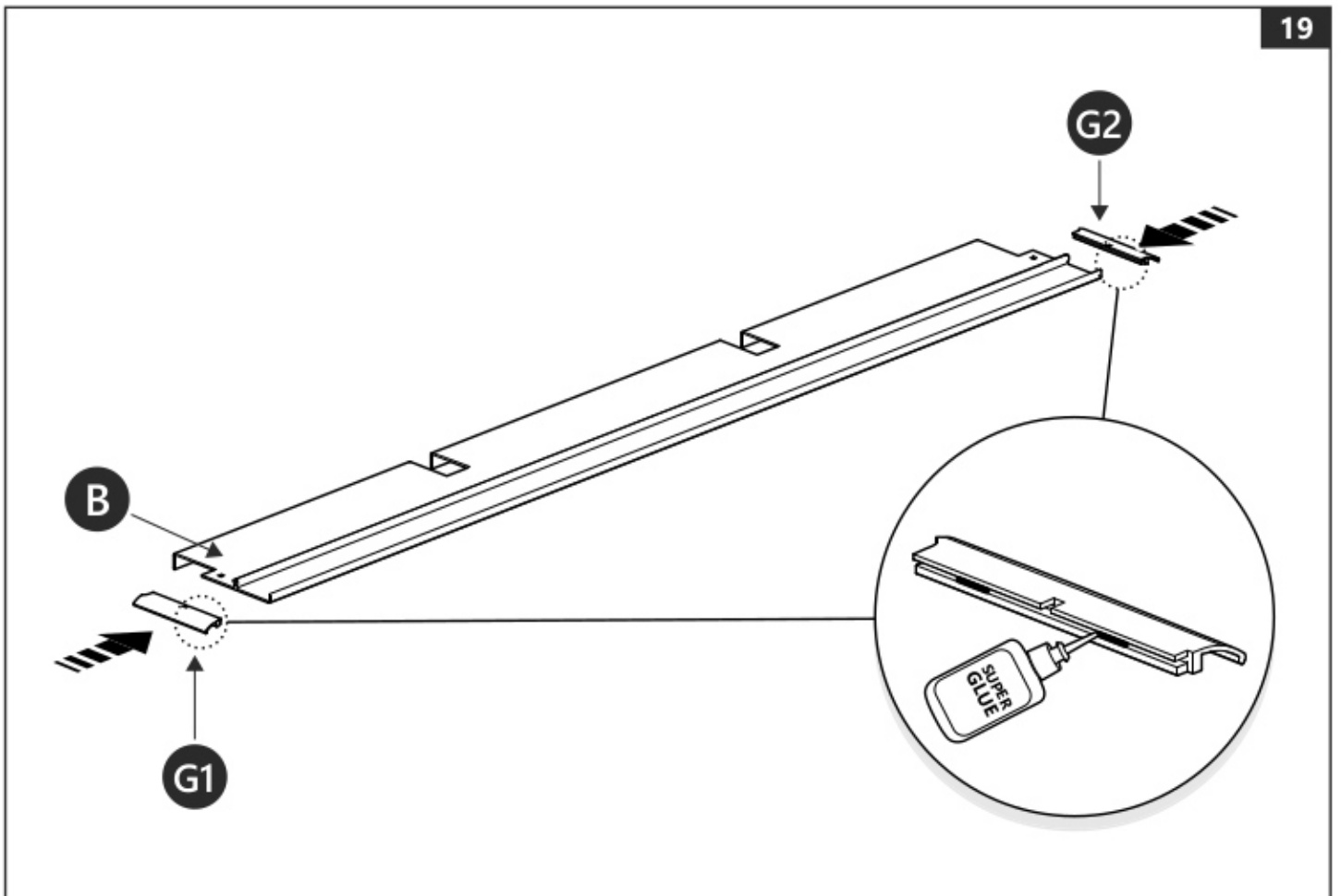
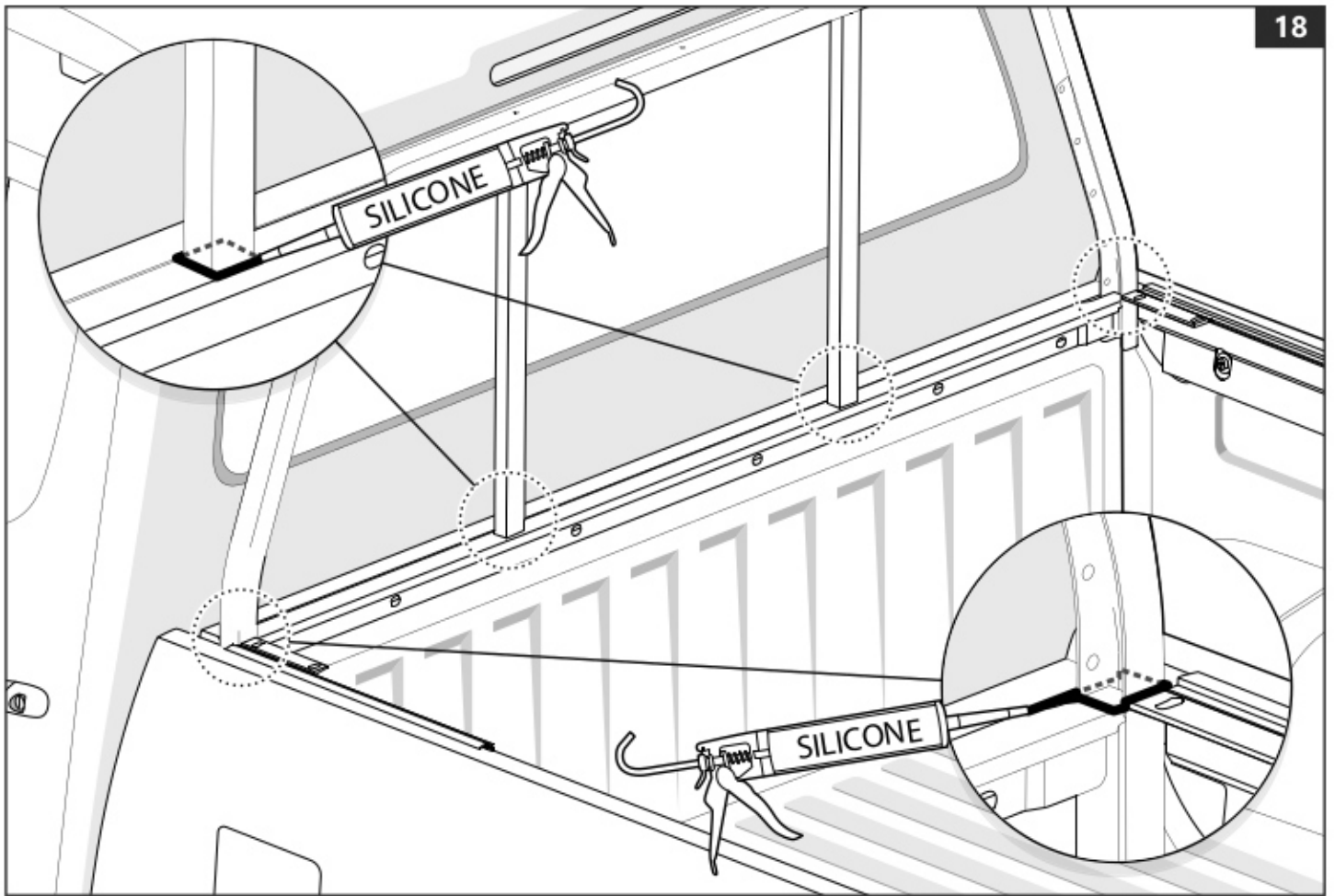


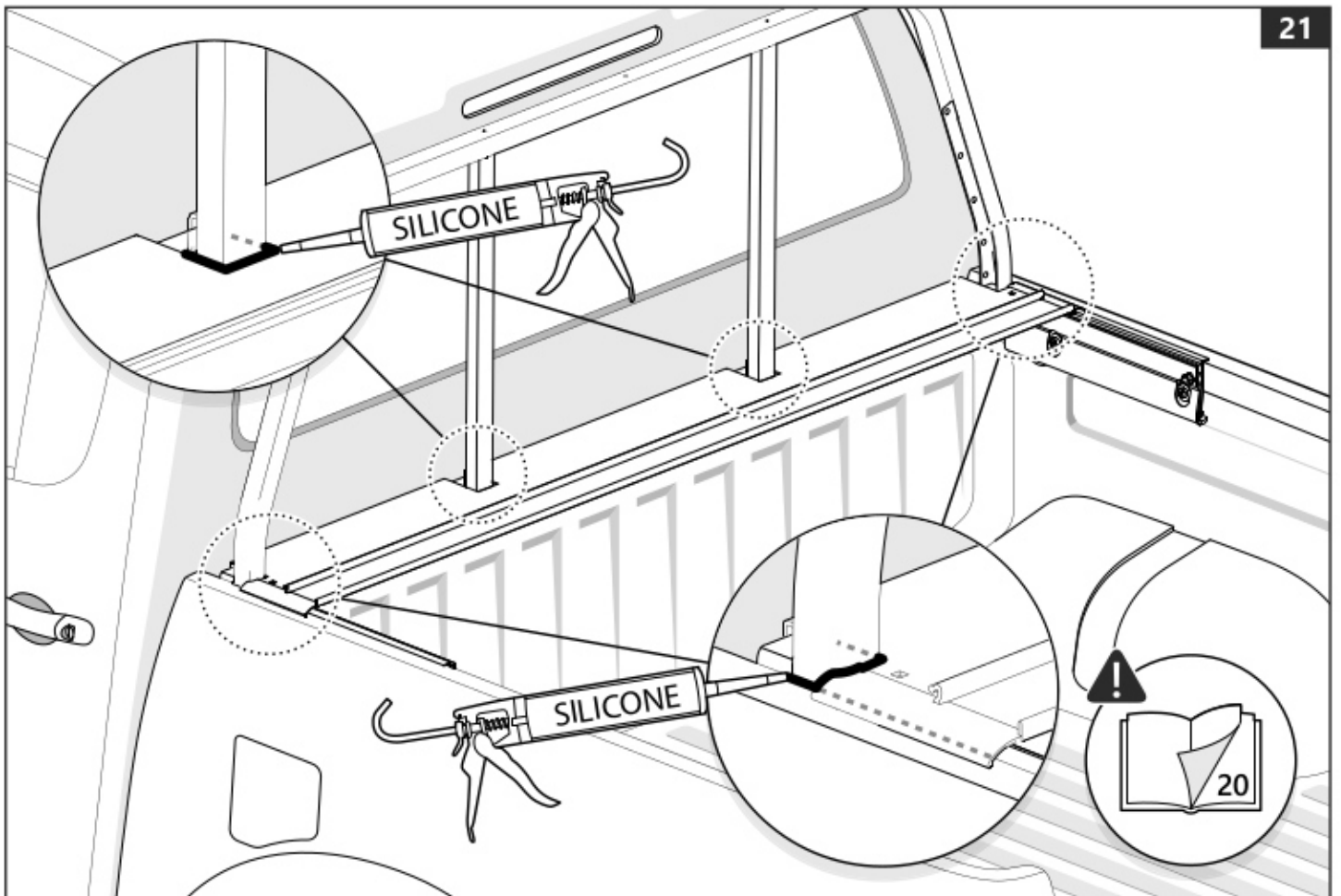
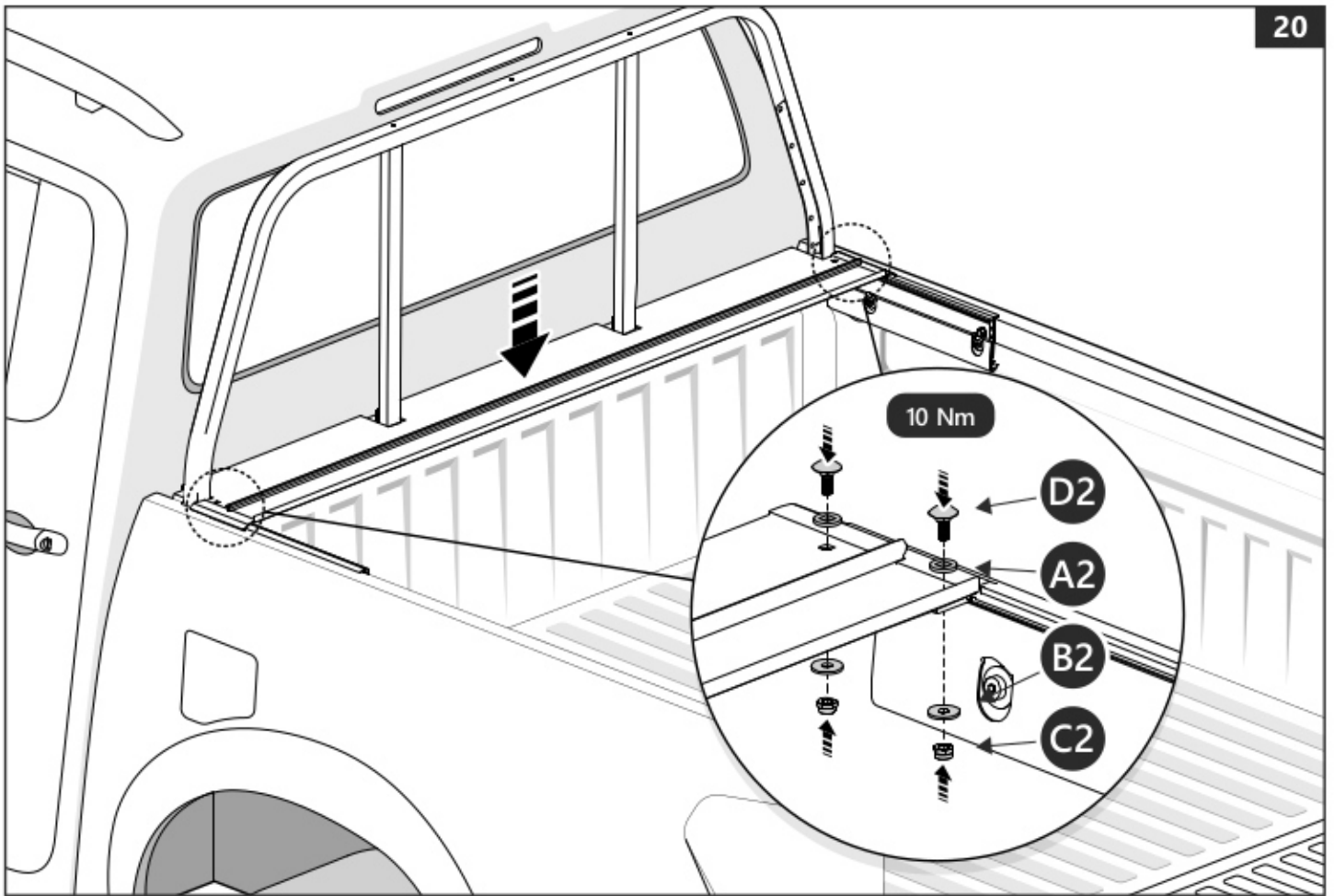
x 2



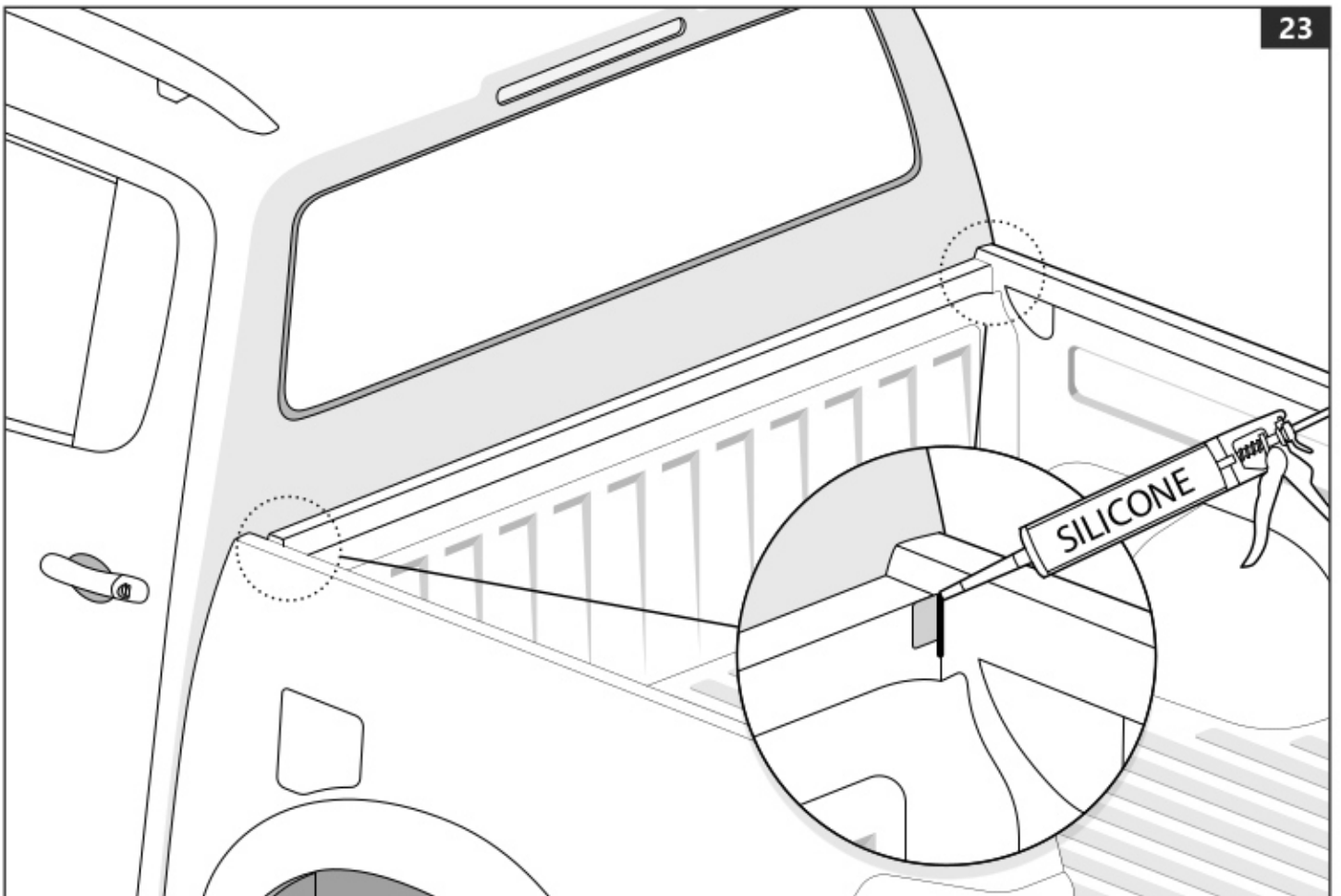
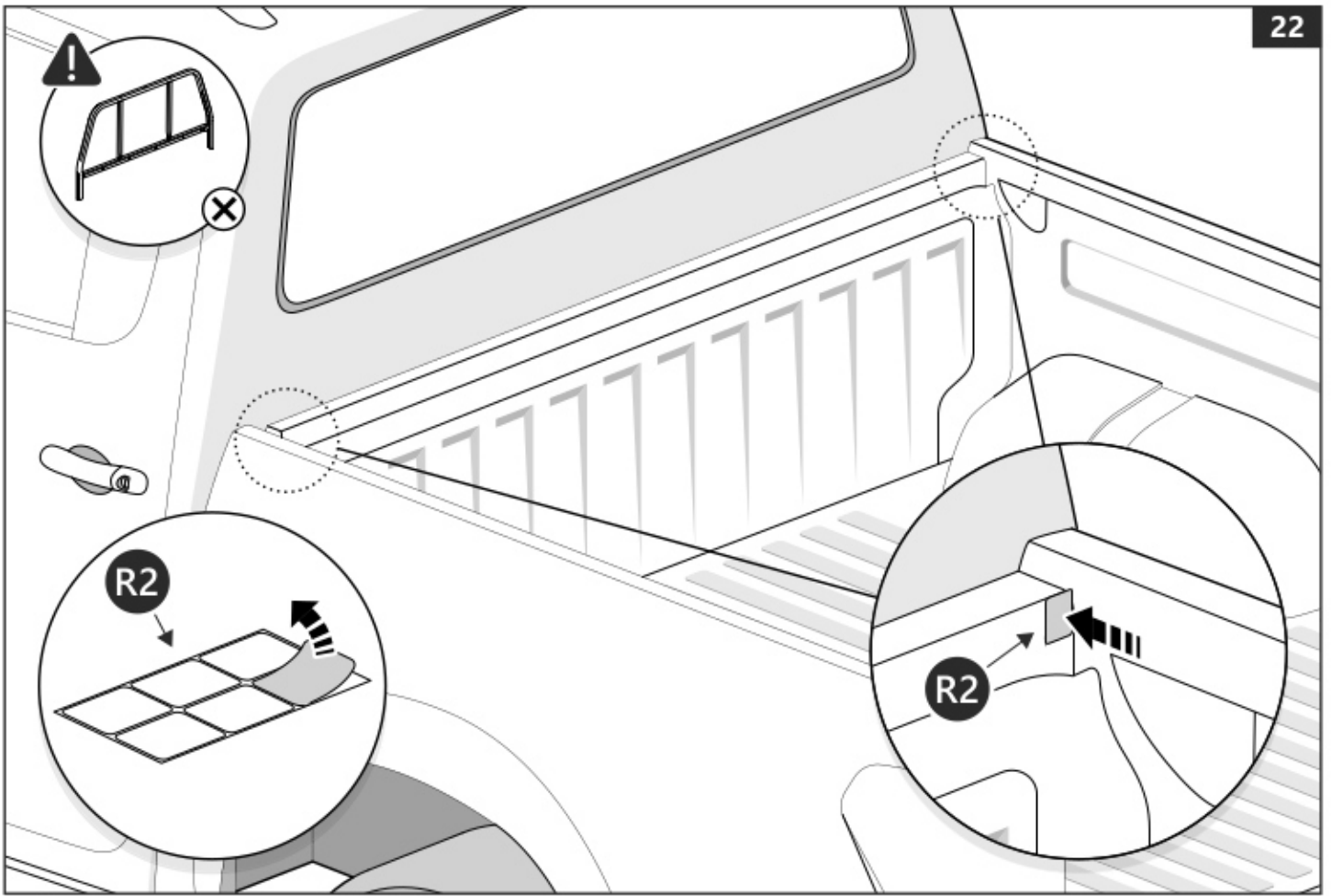


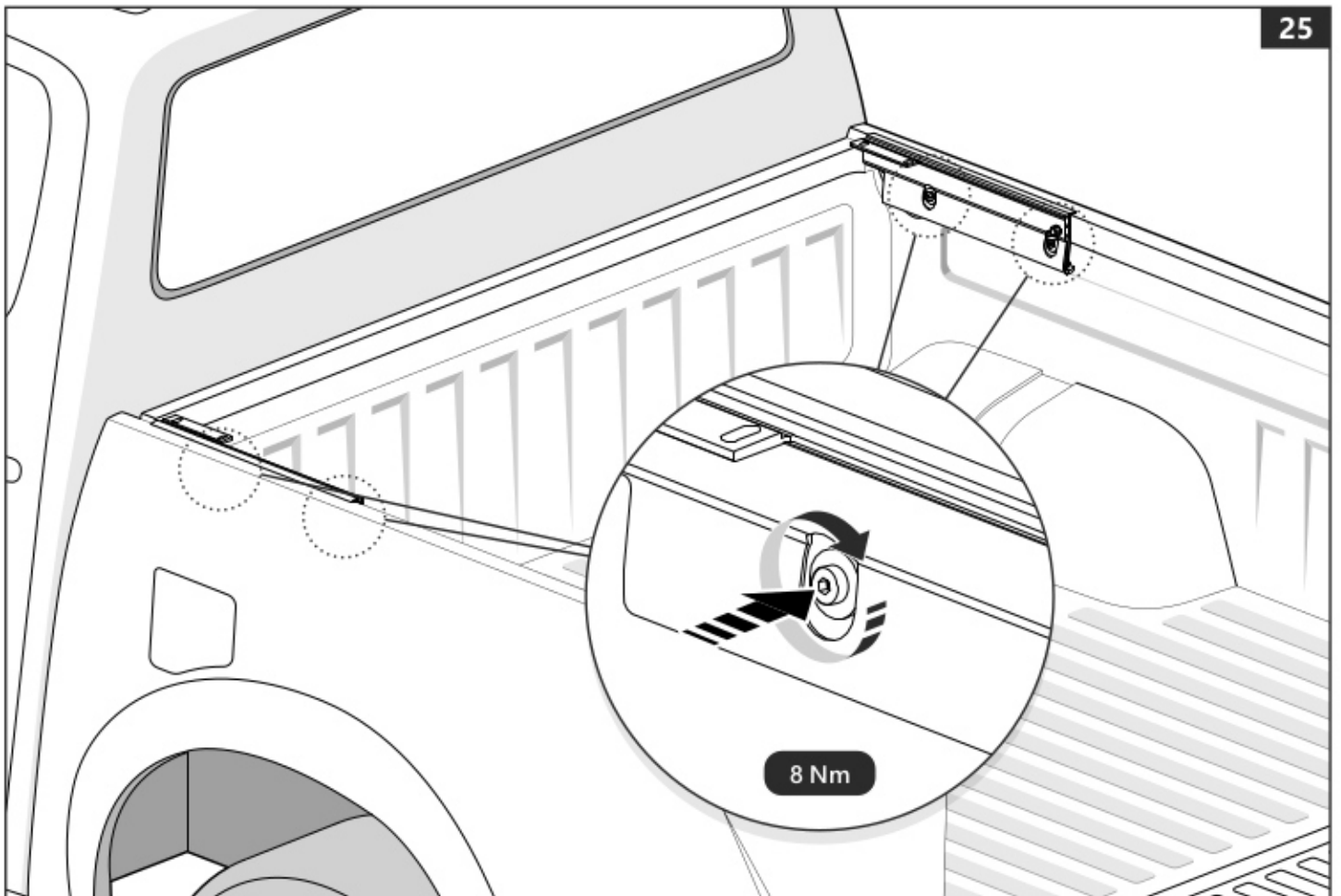
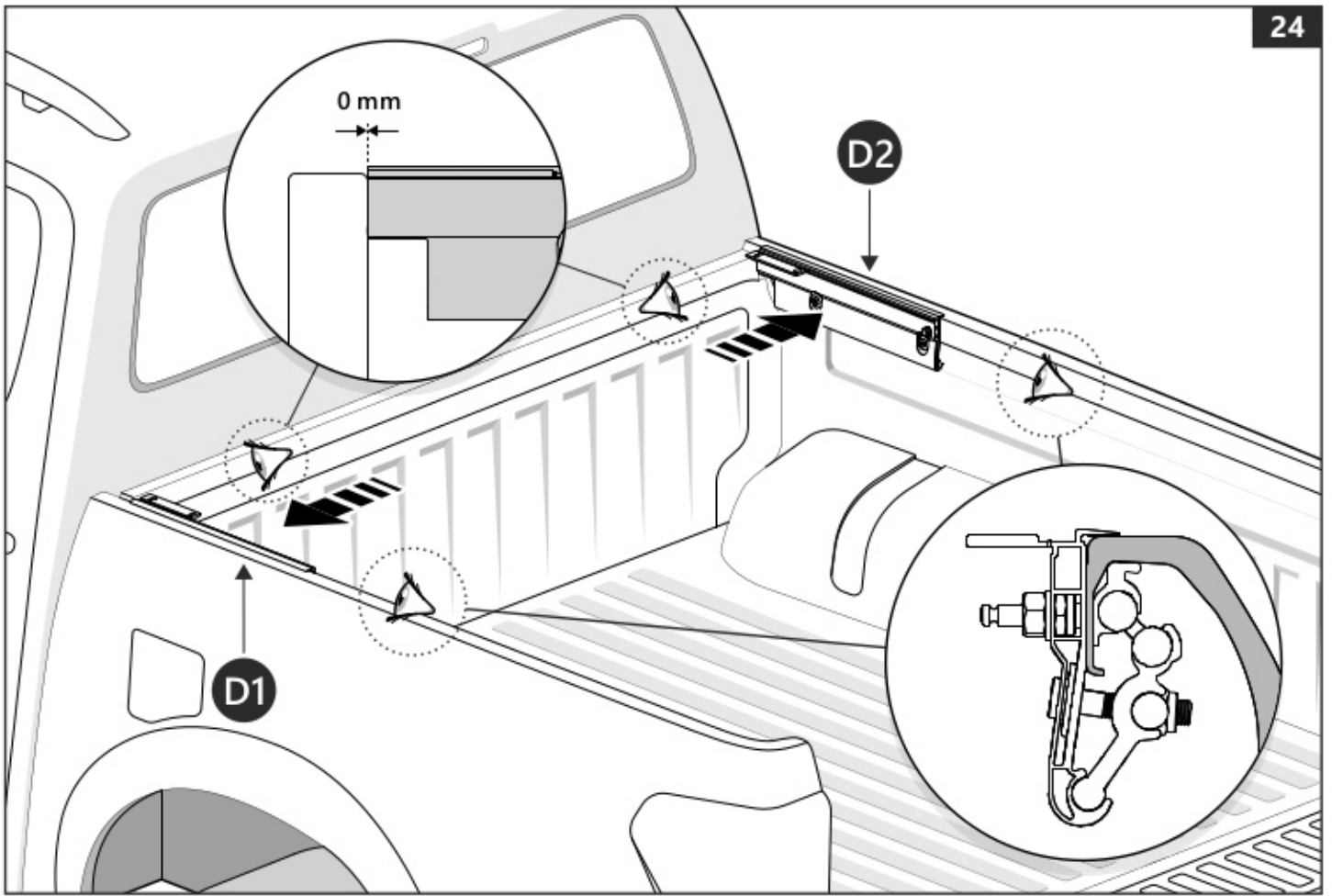


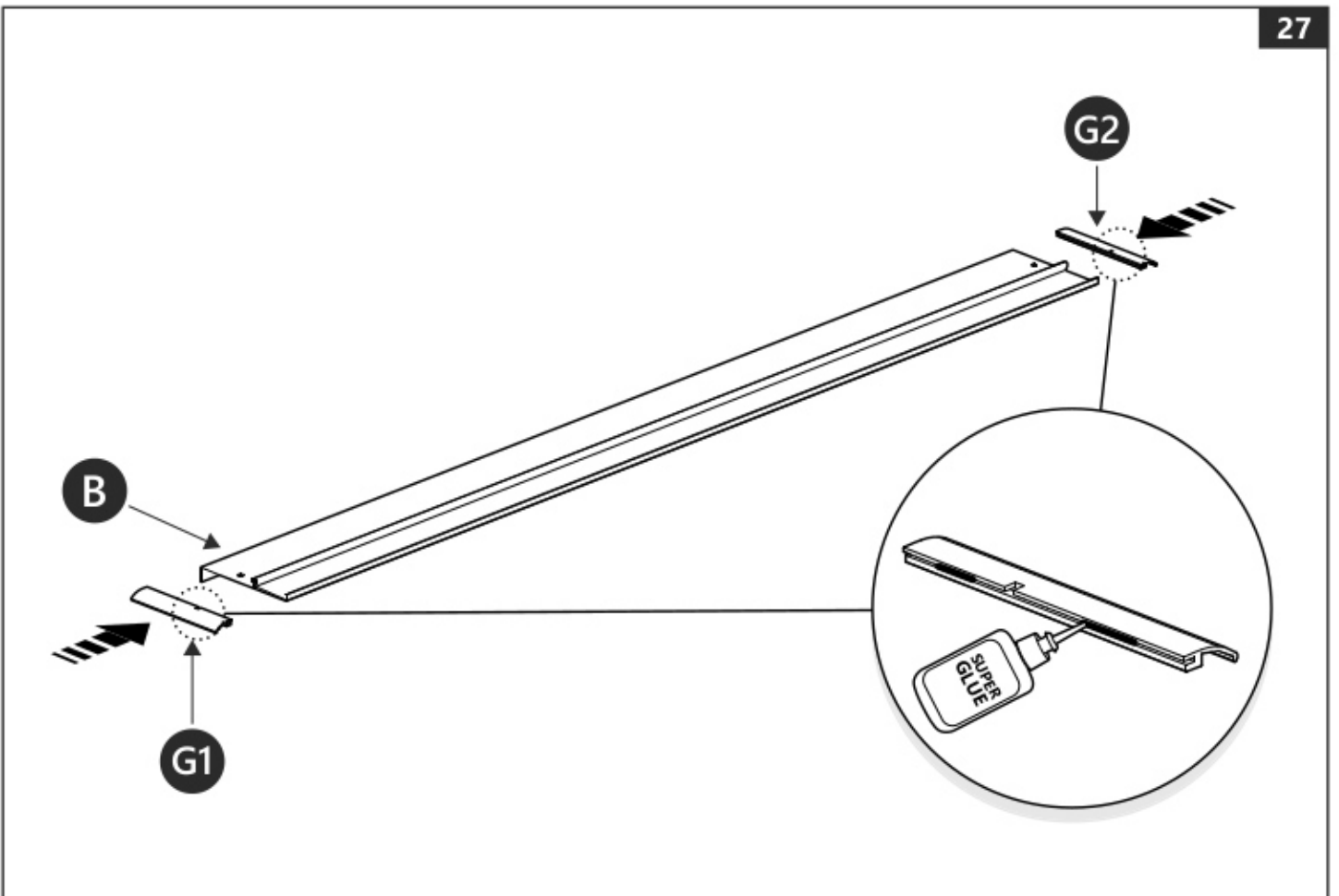
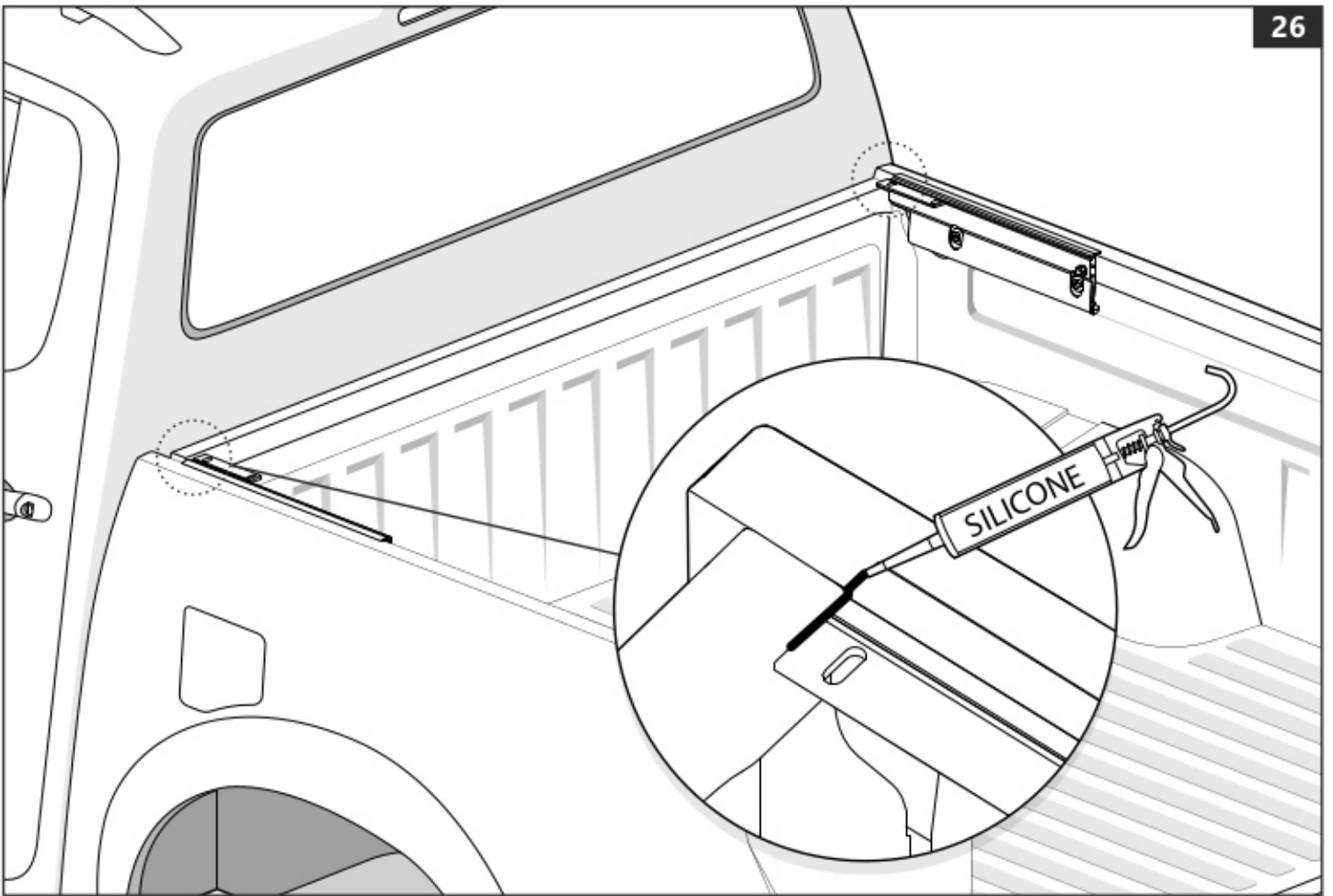


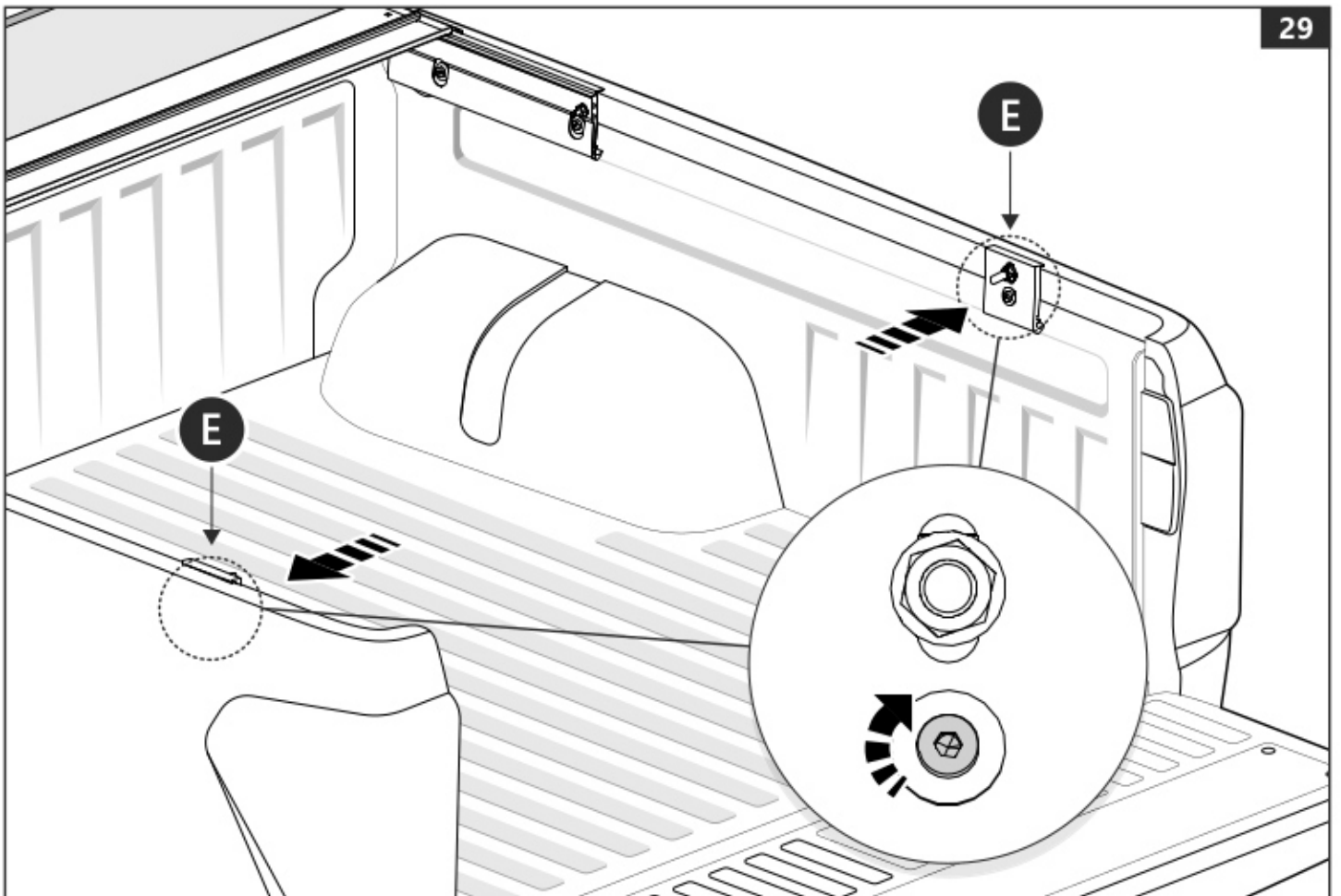
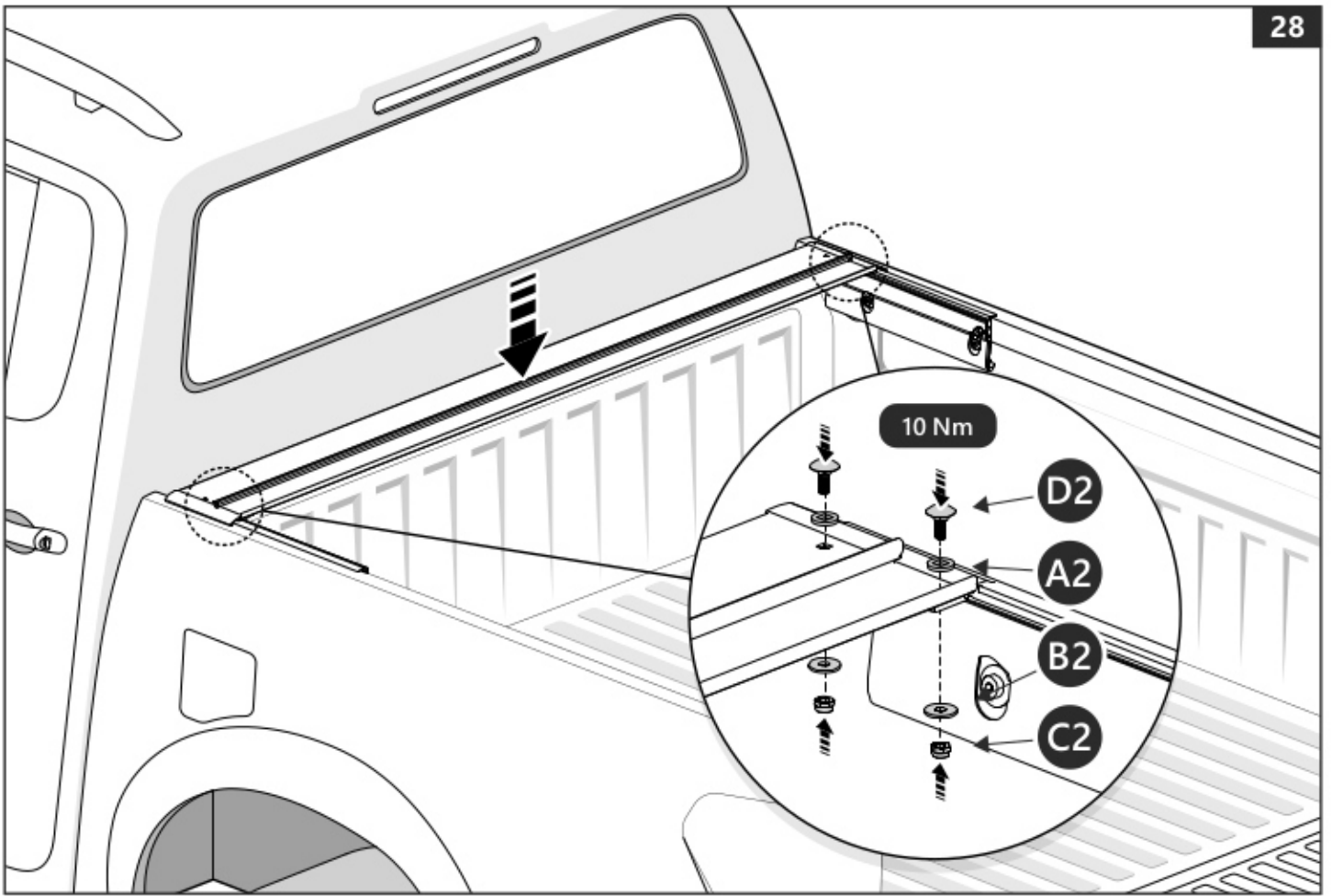


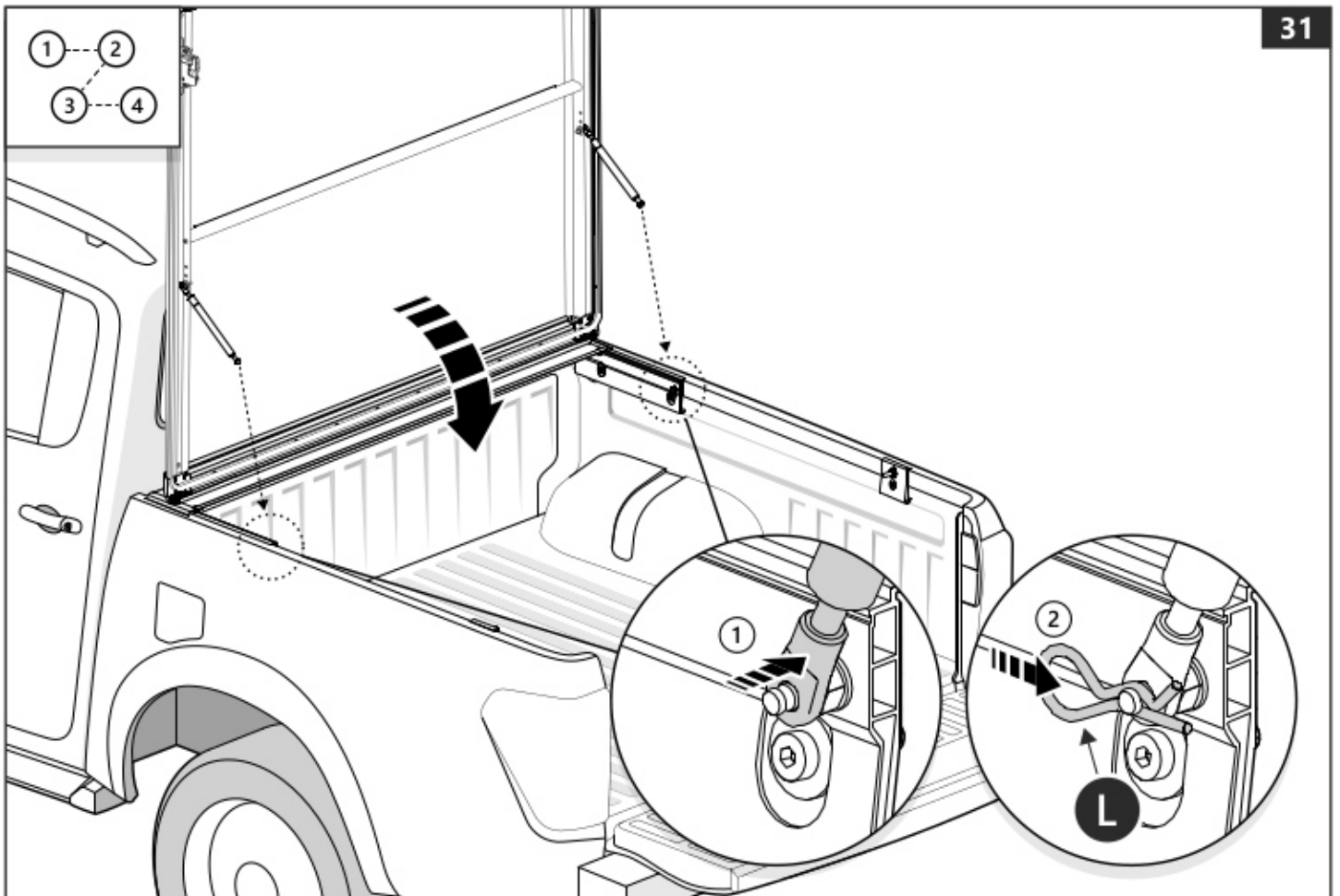
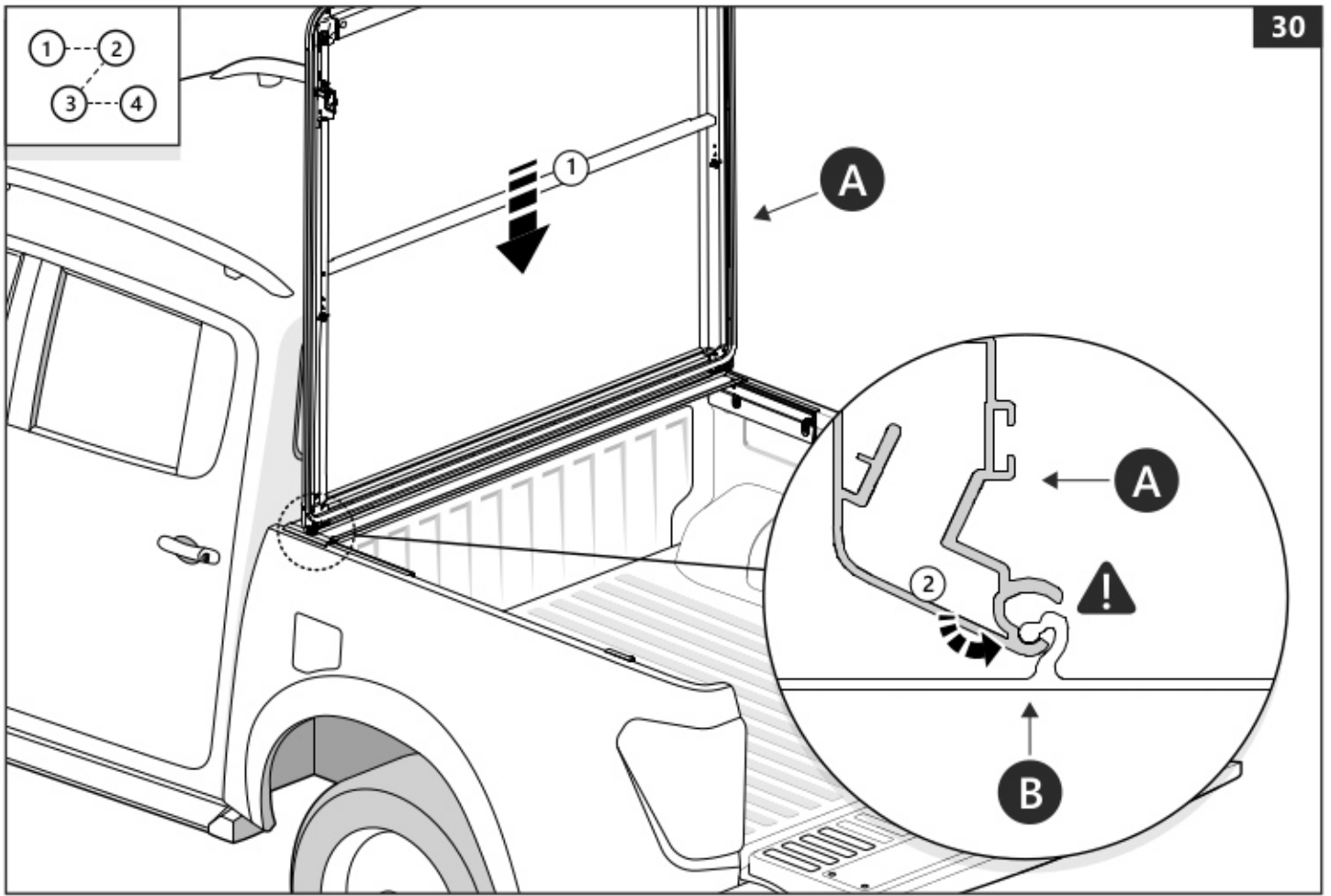


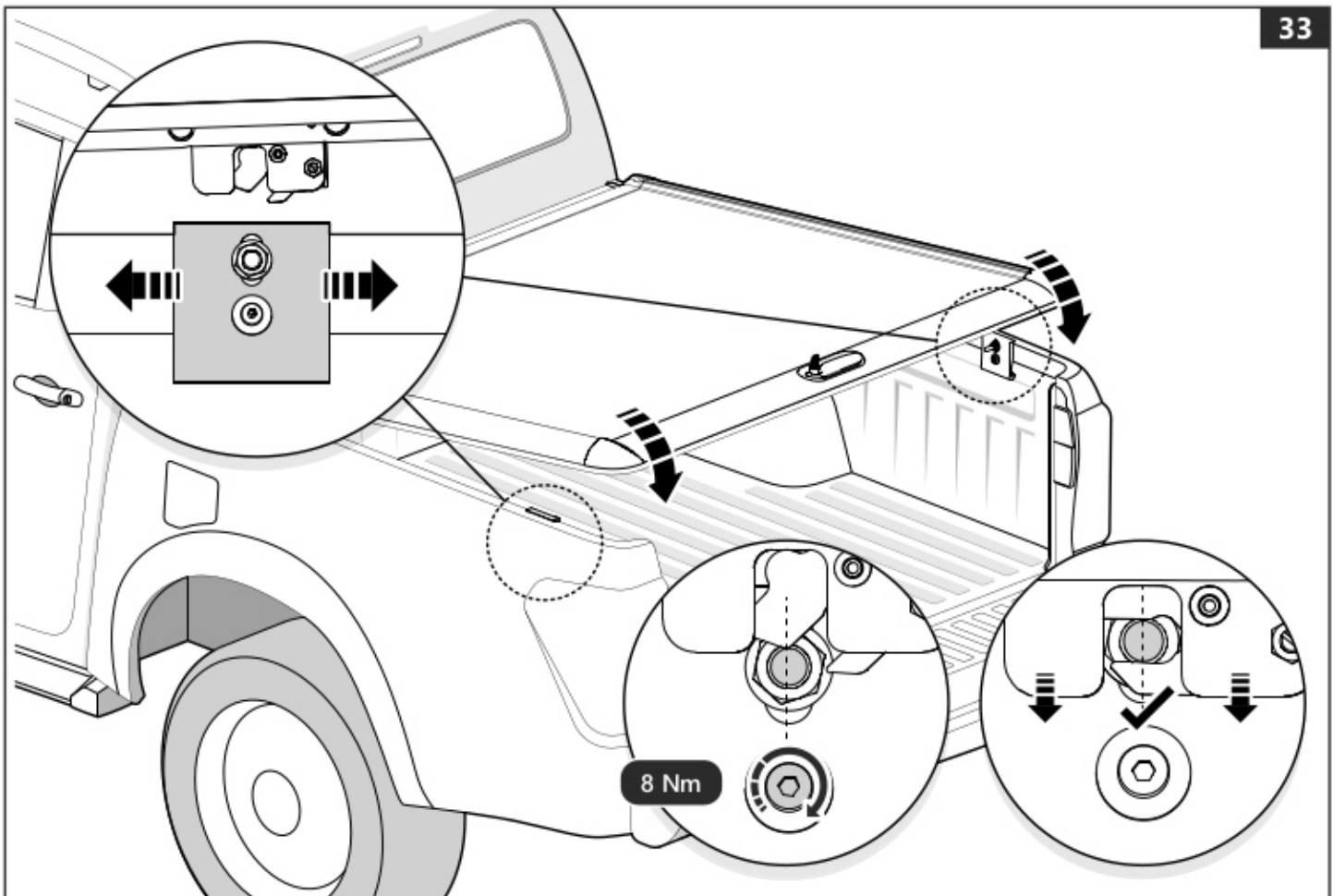
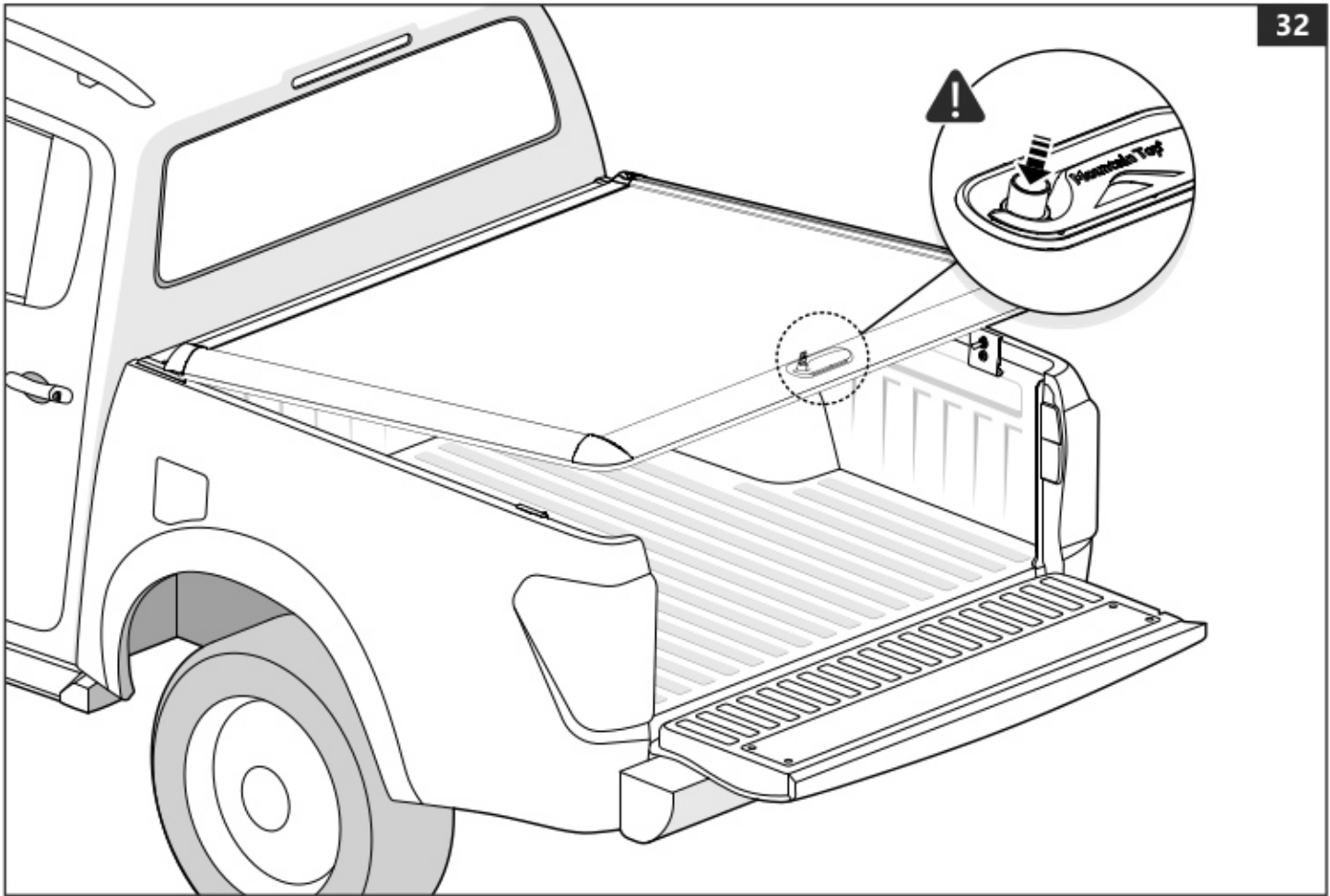


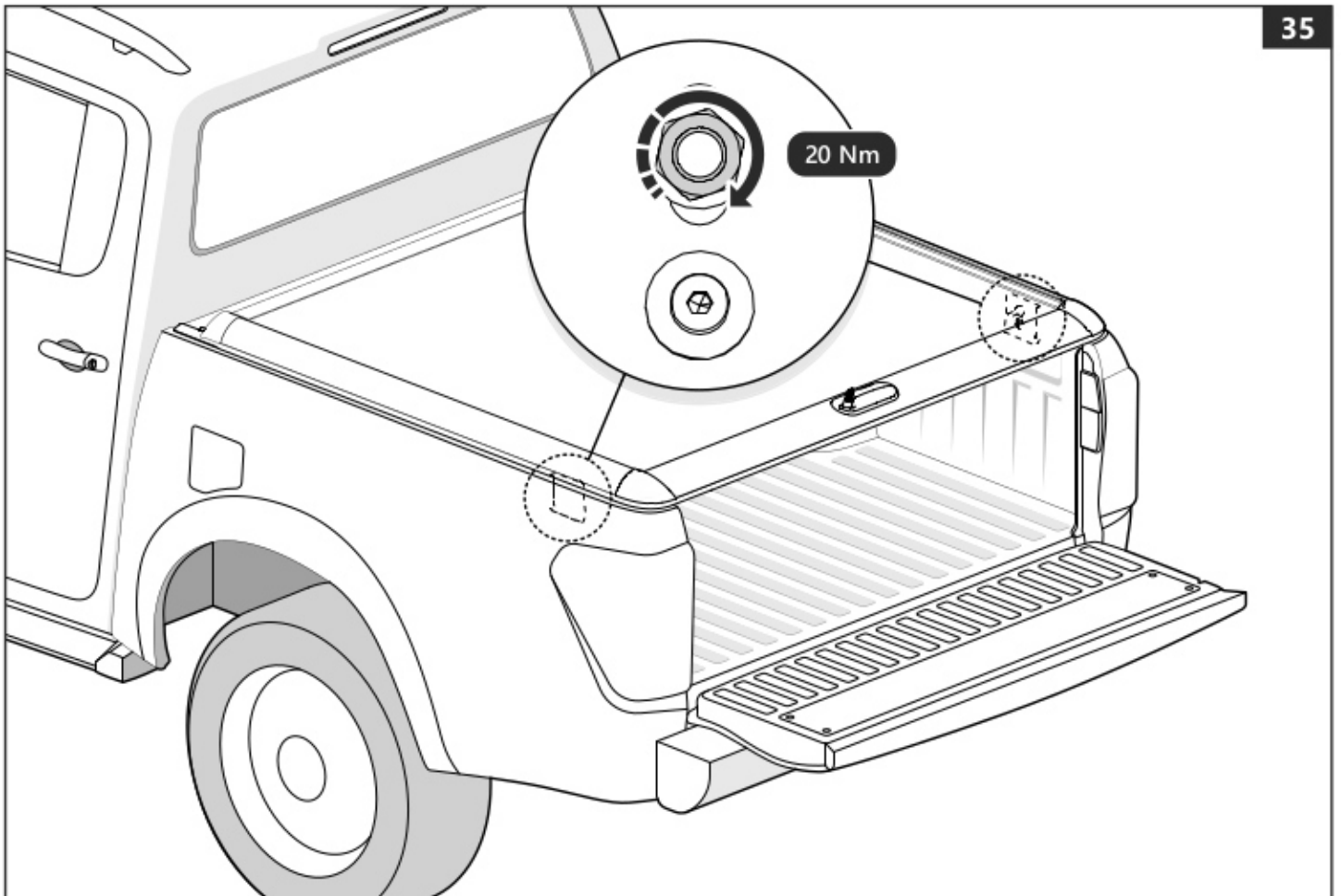
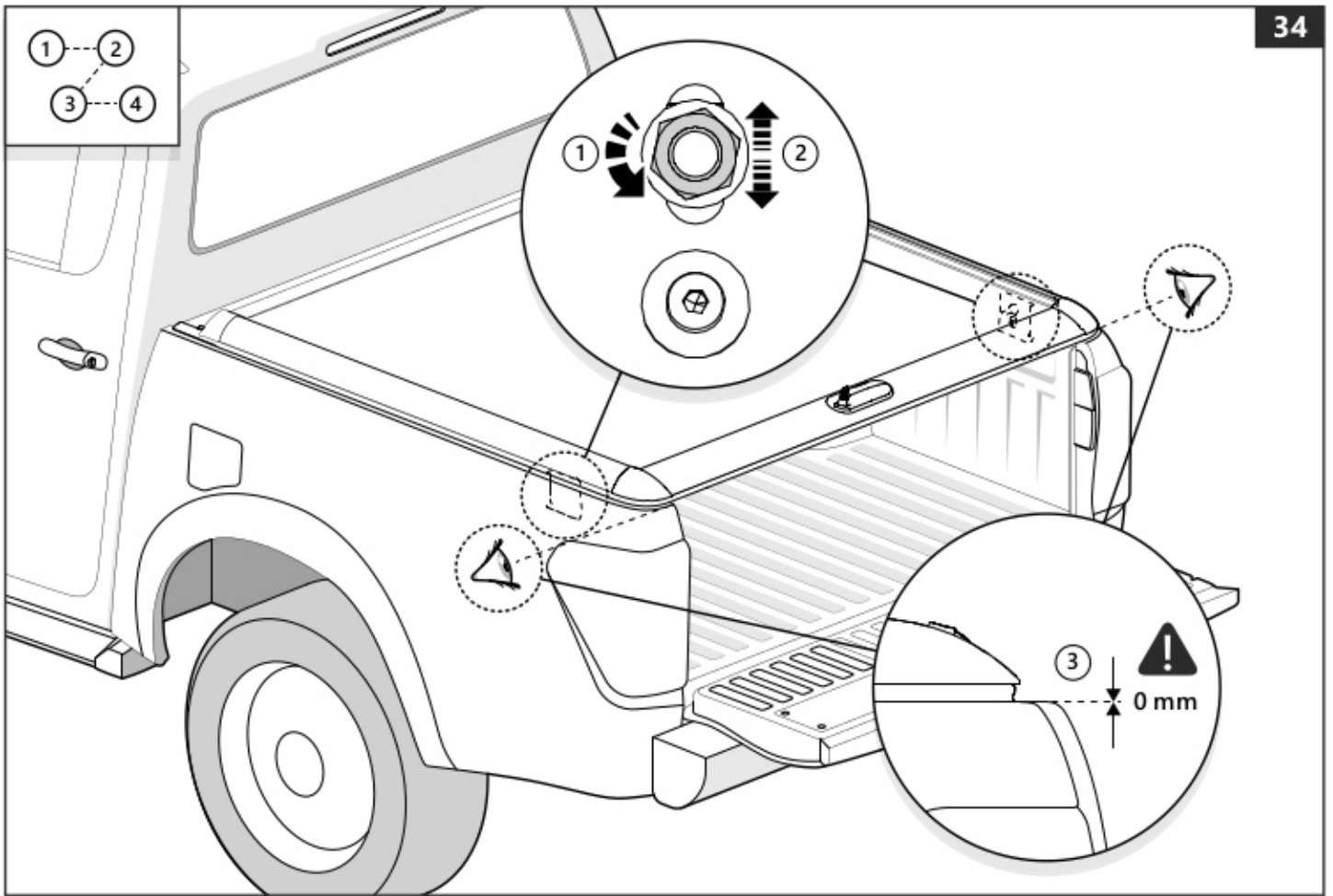


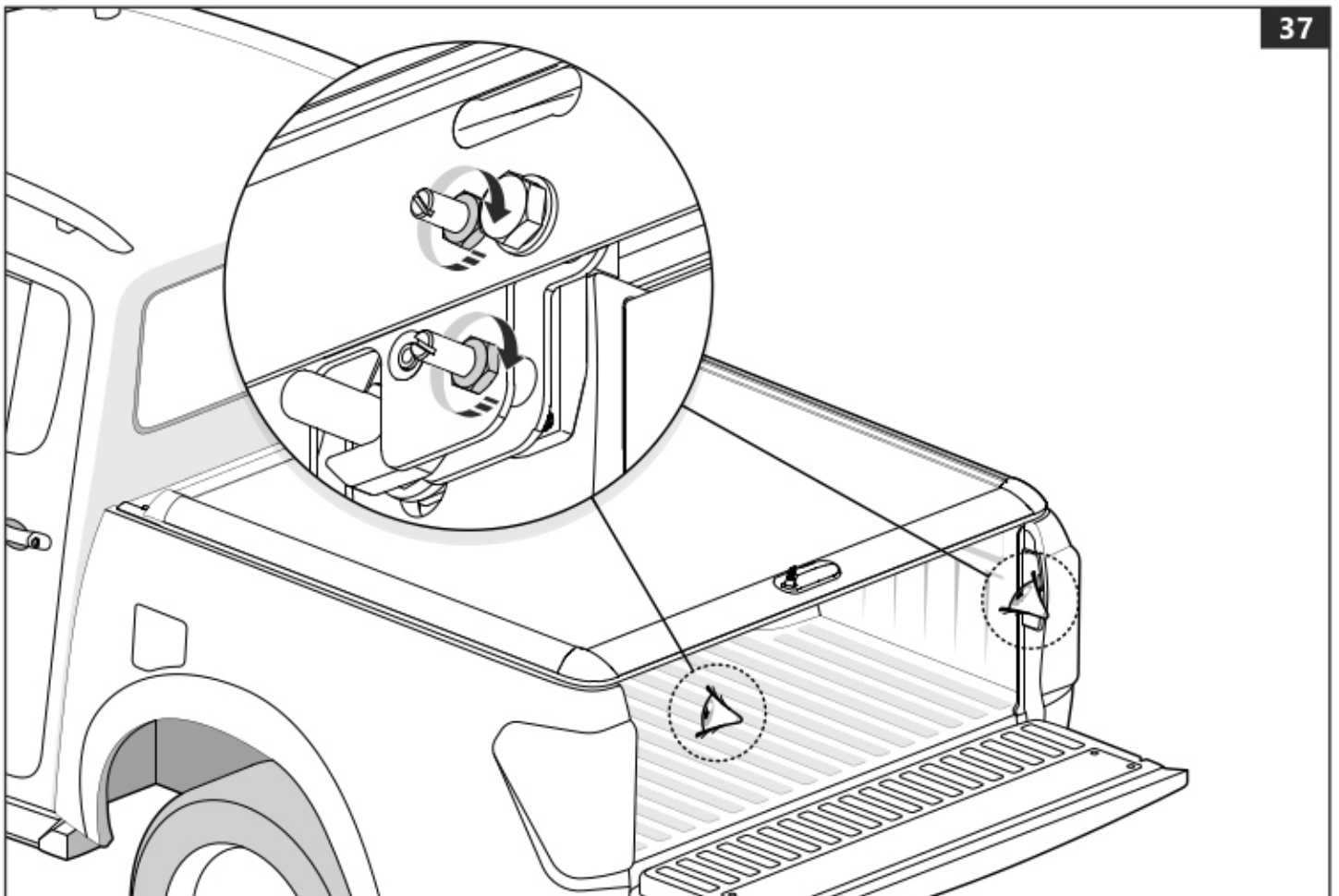
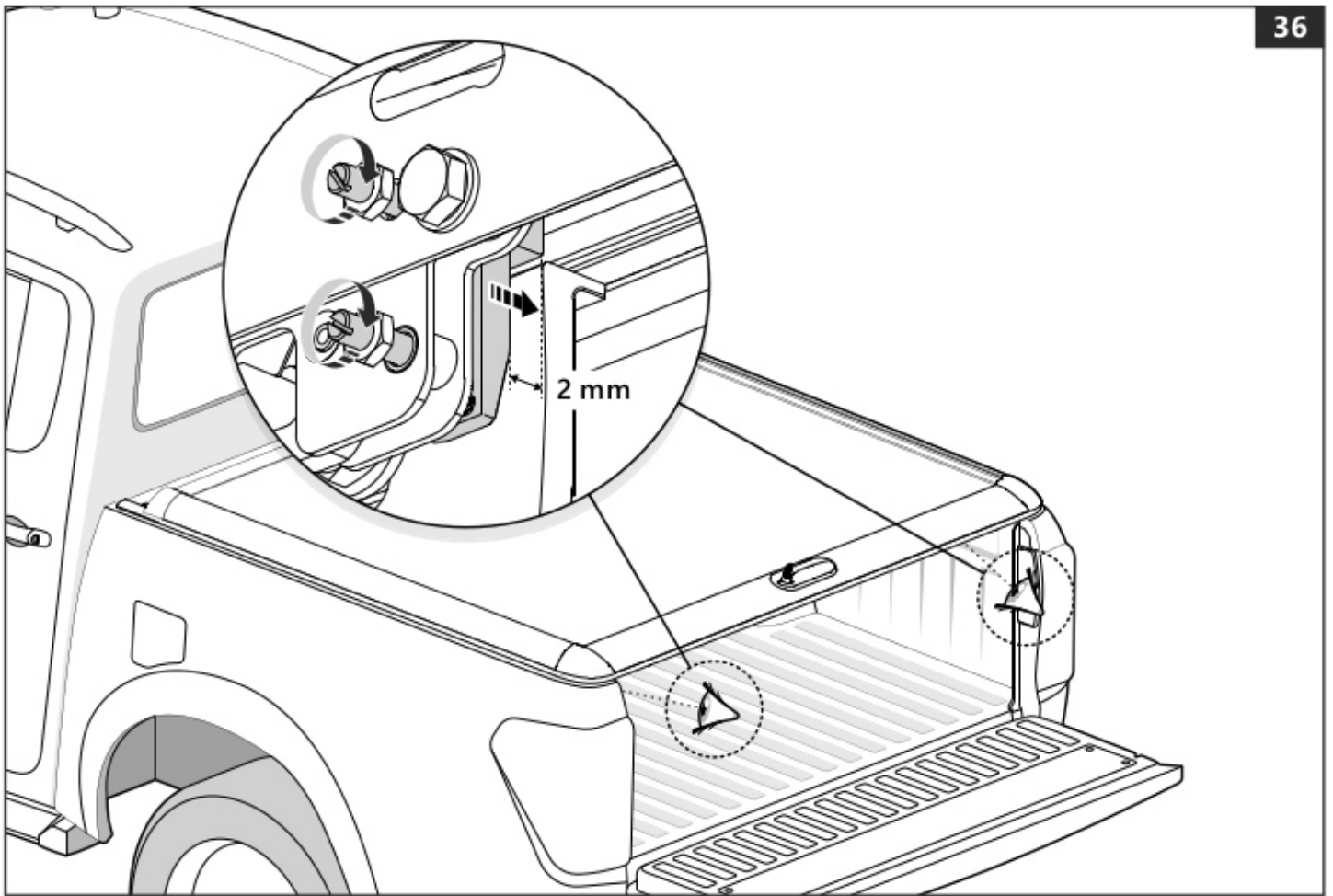
















**ULLSTEIN**  
**CONCEPTS**  
GMBH

[www.ullsteinconcepts.com](http://www.ullsteinconcepts.com)



**ULLSTEIN**  
**CONCEPTS**  
GMBH

[www.ullsteinconcepts.com](http://www.ullsteinconcepts.com)



**ULLSTEIN**  
**CONCEPTS**  
GMBH

[www.ullsteinconcepts.com](http://www.ullsteinconcepts.com)



**Ullstein Concepts GmbH**

Bahnhofstraße 20  
85416 Langenbach  
Germany

0049 (0) 89 8099 02 880

0049 (0) 89 8099 02 881

e-mail: [service@ullsteinconcepts.com](mailto:service@ullsteinconcepts.com)



PART NUMBER(S)	MODEL / YEAR	CAB TYPE(S)	INSTALLATION TIME	WEIGHT
MT2 TO80/81/82	Toyota / 2006 - 2016	Double / Extra / Single	1 hour(s)	29 - 40 Kg
MT2 TO90/91/92	Toyota / 2015 →	Double / Extra / Single	1 hour(s)	29 - 40 Kg
MT2 IS90/91/92	Isuzu / 2006 - 2011	Double / Space / Single	1 hour(s)	29 - 40 Kg
MT2 FO90/91/92	Ford / 2011 →	Double / Super / Single	1 hour(s)	29 - 40 Kg
MT2 MI90/91/92	Mitsubishi / 2015 →	Double / Club / Single	1 hour(s)	29 - 40 Kg
MT2 MA90/91/92	Mazda / 2011 →	Double / Super / Single	1 hour(s)	29 - 40 Kg
MT2 NI90/91/92	Nissan / 2015 →	Double / King / Single	1 hour(s)	29 - 40 Kg
MT2 VW80/82	Volkswagen / 2010 →	Double / Single	1 hour(s)	29 - 40 Kg
MT2 FI90	Fiat / 2016 →	Double	1 hour(s)	29 - 40 Kg
MT2 RE90 R01	Renault 2018 -->	Double	1 (hours)	29-40 Kg

<b>GB</b> Installation manual	<b>S</b> Monteringsanvisning	<b>D</b> Einbauanleitung
<b>SF</b> Asennusohje	<b>E</b> Instrucciones de montaje	<b>CZ</b> Návod k instalaci
<b>F</b> Notice de montage	<b>H</b> Szerelési utasítás	<b>I</b> Istruzioni de montaggio
<b>PL</b> Instrukcja montażu	<b>P</b> Instruções de instalação	<b>GR</b> Οδηγίες Εγκατάστασης
<b>NL</b> Installatie-instructies	<b>RUS</b> Инструкция по установке	<b>DK</b> Monteringsvejledning
<b>TR</b> Montaj Talimatı	<b>N</b> Monteringsveiledning	<b>RO</b> Instructiuni de instalare