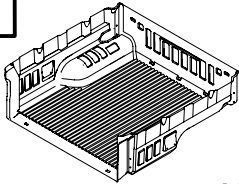
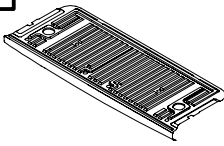
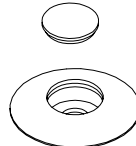
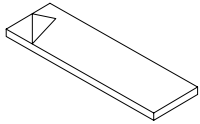
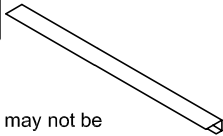
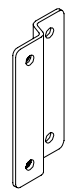
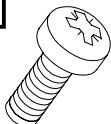
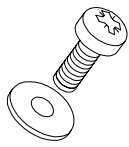
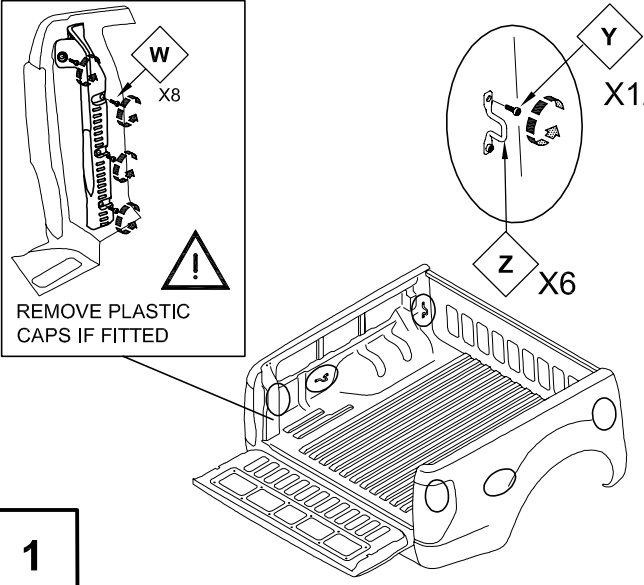
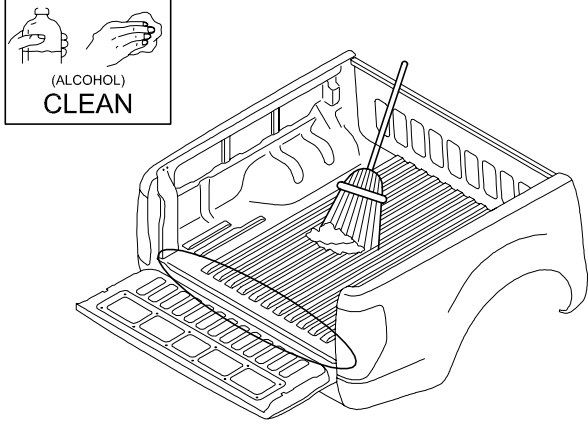
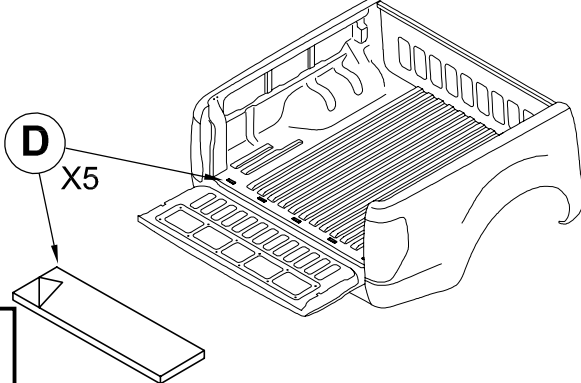
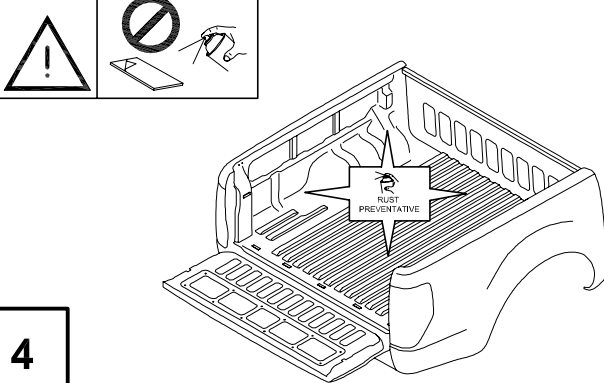
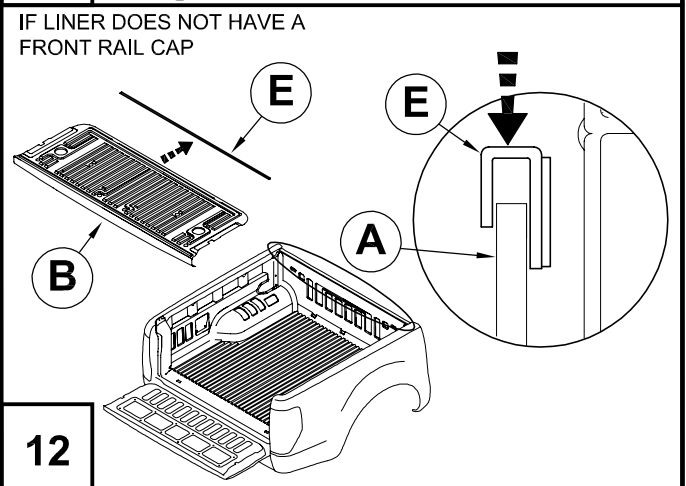
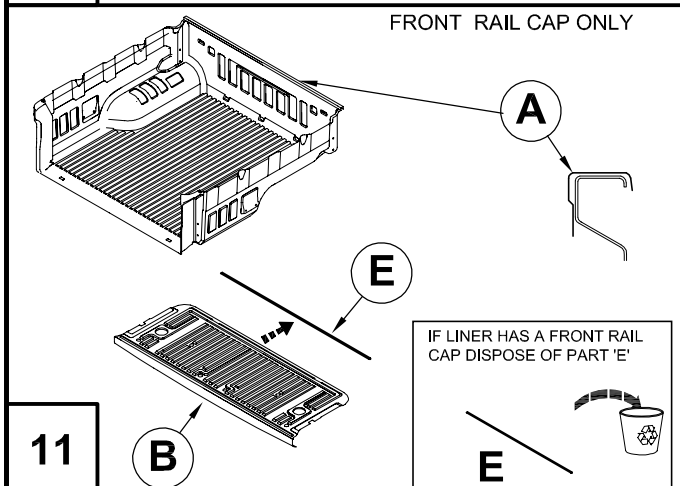
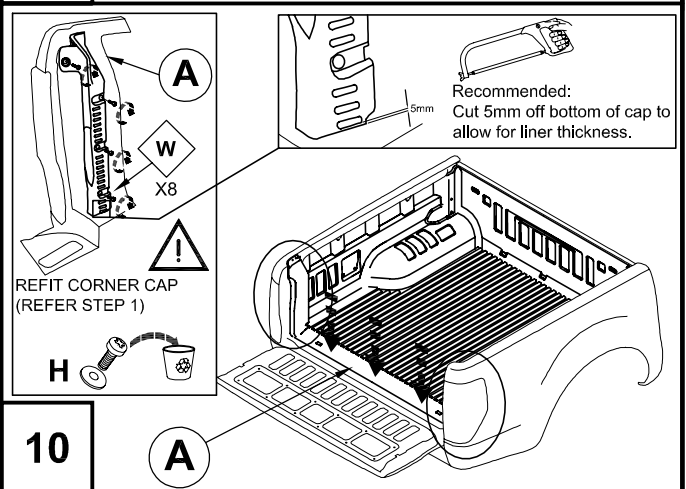
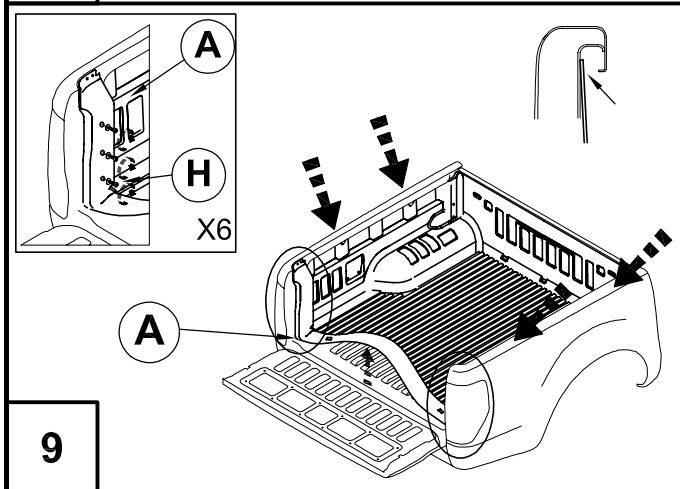
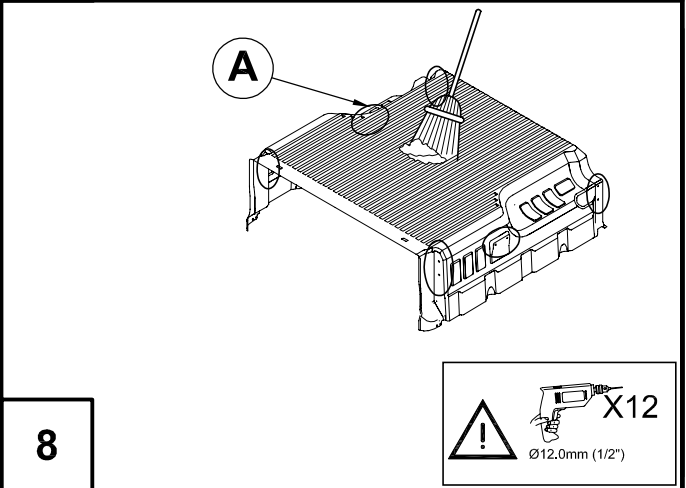
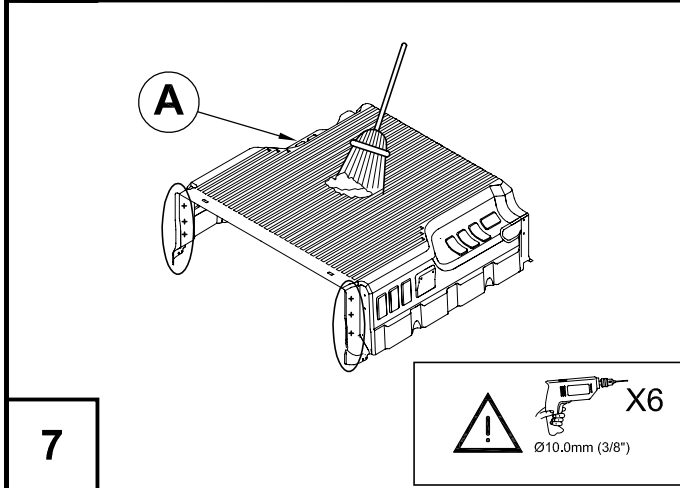
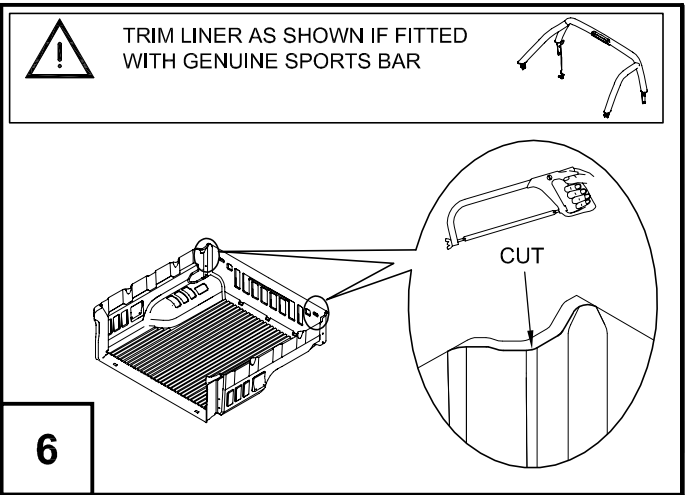
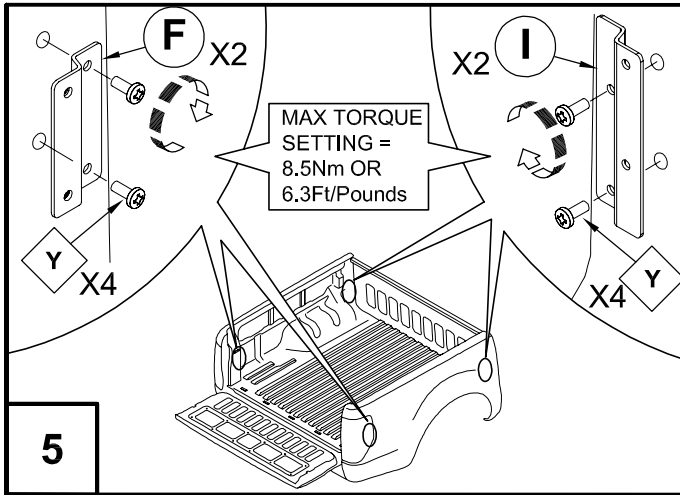


<p>A</p>  <p>X1</p>	<p>B</p>  <p>X1</p>	<p>C</p>  <p>X6</p>	<p>D</p>  <p>X10</p>
<p>E</p>  <p>X1</p> <p>⚠ This part may not be included for some markets</p>	<p>F</p>  <p>X2 (1L + 1R)</p>	<p>G</p>  <p>M8x20mm X8</p>	<p>H</p>  <p>M6x16mm Pan Pozi X6 M6x19mm Washer X6</p>

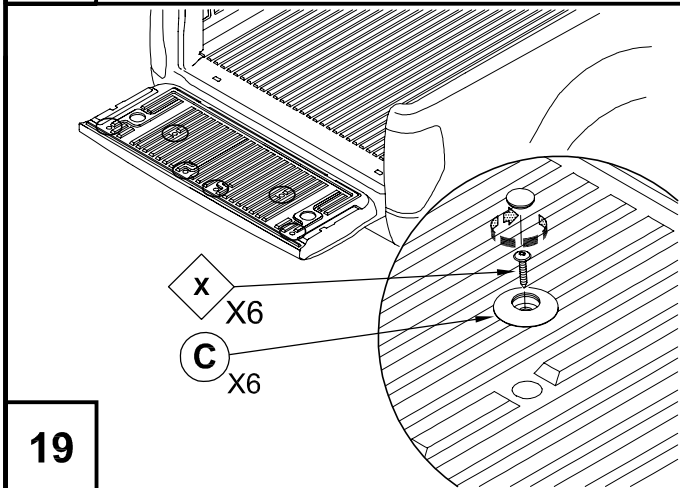
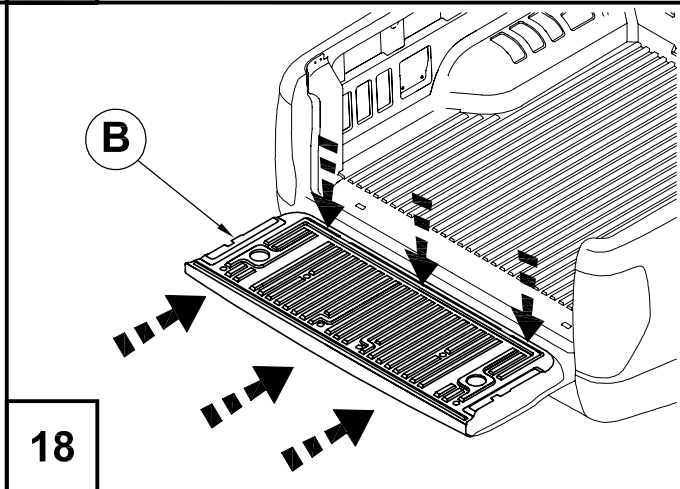
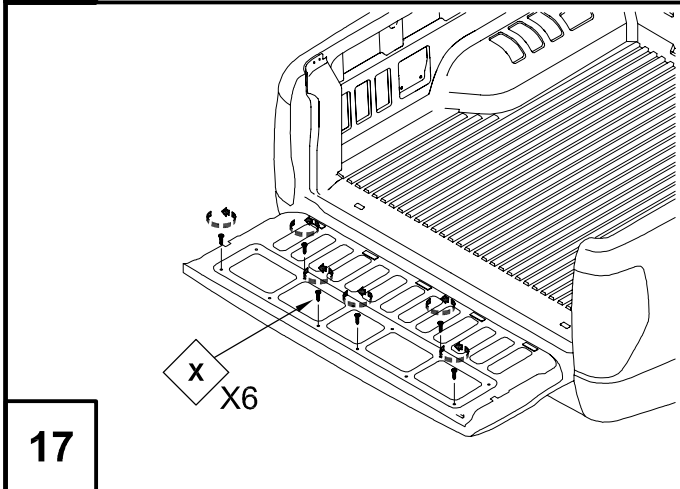
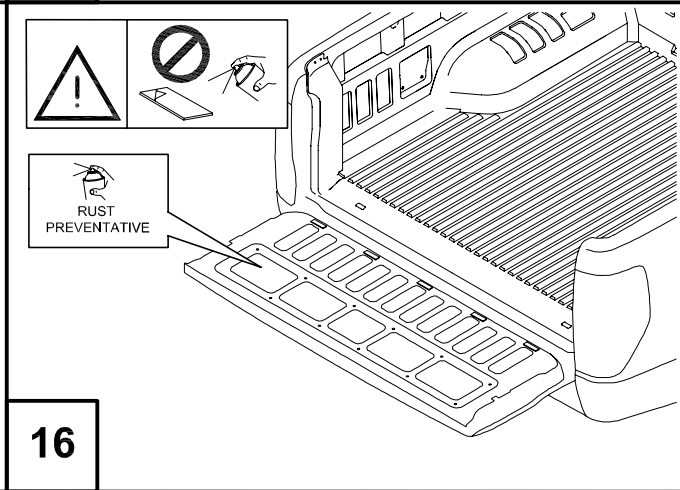
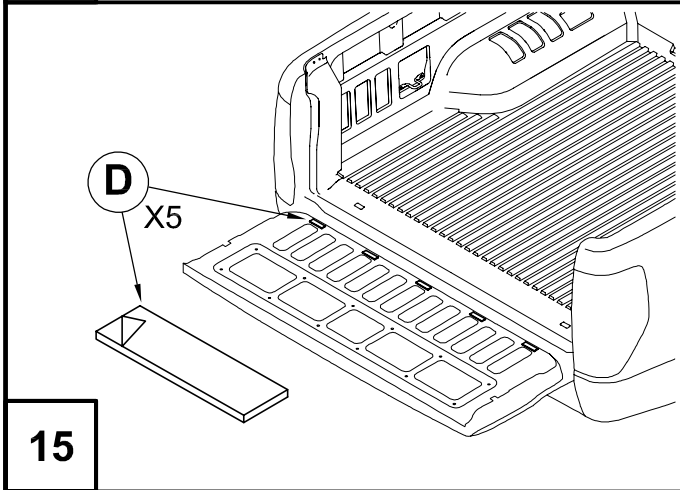
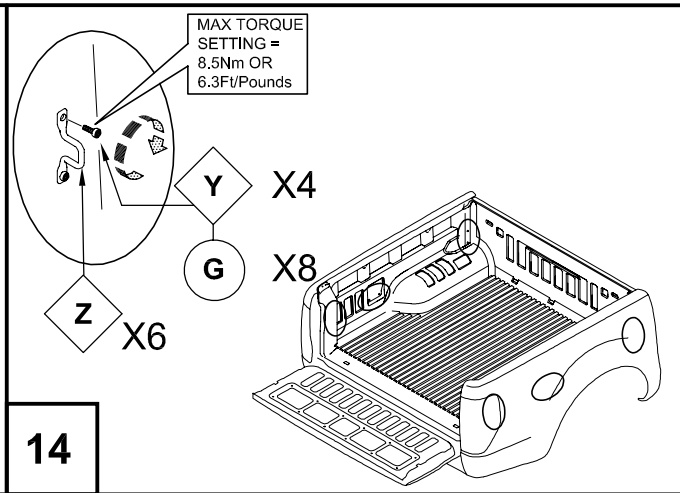
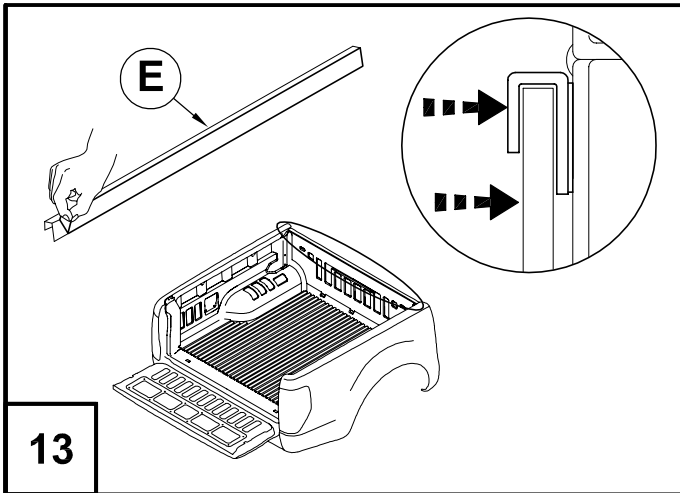
◇ = EXISTING PART
○ = NEW PART

<p>1</p> 	<p>2</p> 
<p>3</p> 	<p>4</p> 

Fitting Kit Number	Manufacturer	Model Type	Year	Stockist	Cab Size	Product	Revision	Date	Page
IDFK542	Ford	Ranger	2011	General Use	DC	UR Liner	6	16-03-12	1 of 3



Fitting Kit Number	Manufacturer	Model Type	Year	Stockist	Cab Size	Product	Revision	Date	Page
IDFK542	Ford	Ranger	2011	General Use	DC	UR Liner	6	16-03-12	2 of 3



Fitting Kit Number	Manufacturer	Model Type	Year	Stockist	Cab Size	Product	Revision	Date	Page
IDFK542	Ford	Ranger	2011	General Use	DC	UR Liner	6	16-03-12	3 of 3