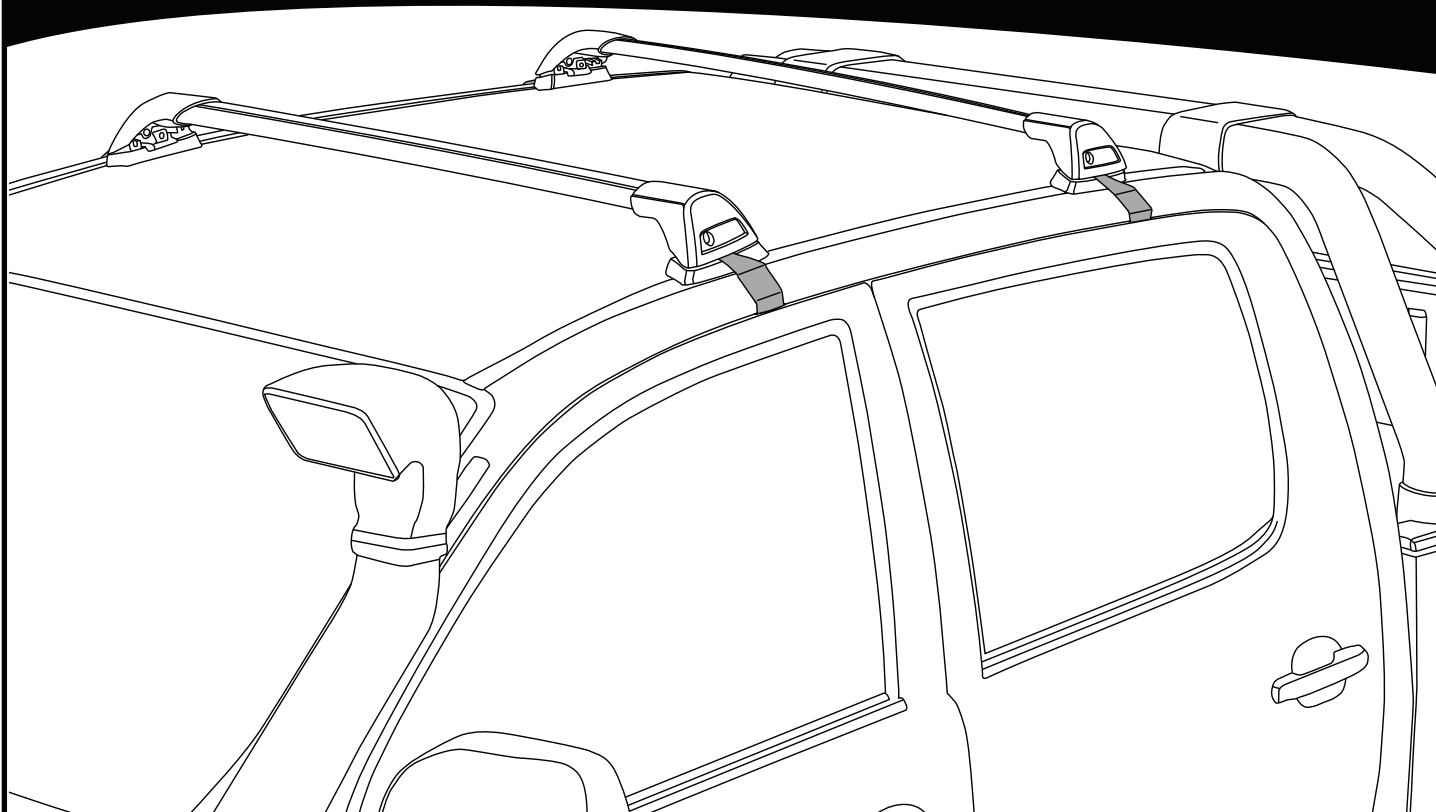


# K611

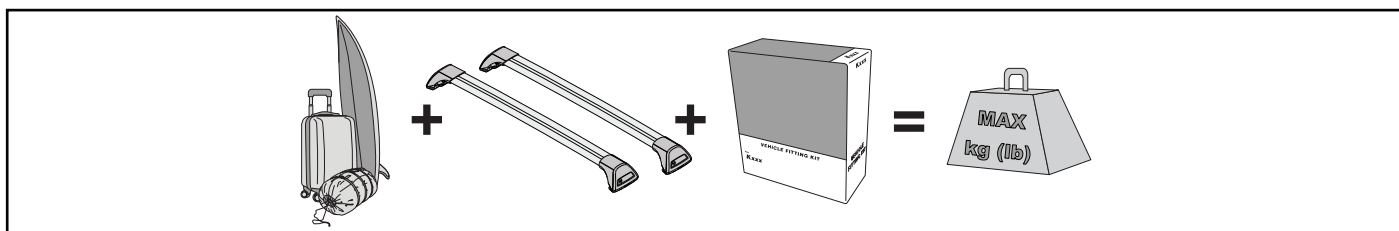


# Instructions







- EN** ALWAYS REFER TO OUR WEBSITE FOR THE LATEST VERSION OF INSTRUCTIONS.
- DE** BESUCHEN SIE IMMER UNSERE WEBSITES, UM DIE NEUESTE VERSION DER ANWEISUNGEN ZU ERHALTEN.
- ES** CONSULTE NUESTRAS PÁGINAS WEB PARA VER LA ÚLTIMA VERSIÓN DE LAS INSTRUCCIONES.
- FR** RÉFÉREZ VOUS TOUJOURS À NOS SITES INTERNET POUR CONSULTER LA DERNIÈRE VERSION DES INSTRUCTIONS.
- NO** DEN NYESTE VERSJONEN AV INSTRUKSJONENE ER ALLTID TILGJENGELIG PÅ VÅRE NETTSIDER.
- PT** CONSULTE SEMPRE OS NOSSOS WEBSITES PARA OBTER A MAIS RECENTE VERSÃO DAS INSTRUÇÕES.
- IT** FARE SEMPRE RIFERIMENTO AI NOSTRI SITI WEB PER L'ULTIMA VERSIONE DELLE ISTRUZIONI.
- PL** ZAWSZE SPRAWDZAJ NASZĄ STRONĘ INTERNETOWĄ, ABY UZYSKAĆ NAJNOWSZĄ WERSJĘ INSTRUKCJI.
- CS** NEJNOVĚJŠÍ VERZI POKYNŮ VŽDY NAJDETE NA NAŠÍ WEBOVÉ STRÁNCE.
- SK** POSLEDNÚ VERZIU POKYNOV VŽDY NÁJDETE NA NAŠICH WEBOVÝCH STRÁNKACH.
- NL** RAADPLEEG ALTIJD ONZE WEBSITES VOOR DE MEEST RECENTE VERSIE VAN DE INSTRUCTIES.
- SV** SE ALLTID VÅRA WEBBPLATSER FÖR DEN SENASTE VERSIONEN AV INSTRUKTIONERNA.
- DK** DEN NYESTE VERSION AF VEJLEDNINGERNE ER ALTID TILGÆNGELIG PÅ VORES HJEMMESIDER.
- UA** ОСТАННЯ ВЕРСІЯ ІНСТРУКЦІЇ ЗАВЖДИ ДОСТУПНА НА НАШОМУ САЙТІ.
- FI** KATSO AINA VERKKOSIVUSTOILTAMME UUSIN VERSIO OHJEISTA.

## MAX kg (lb)

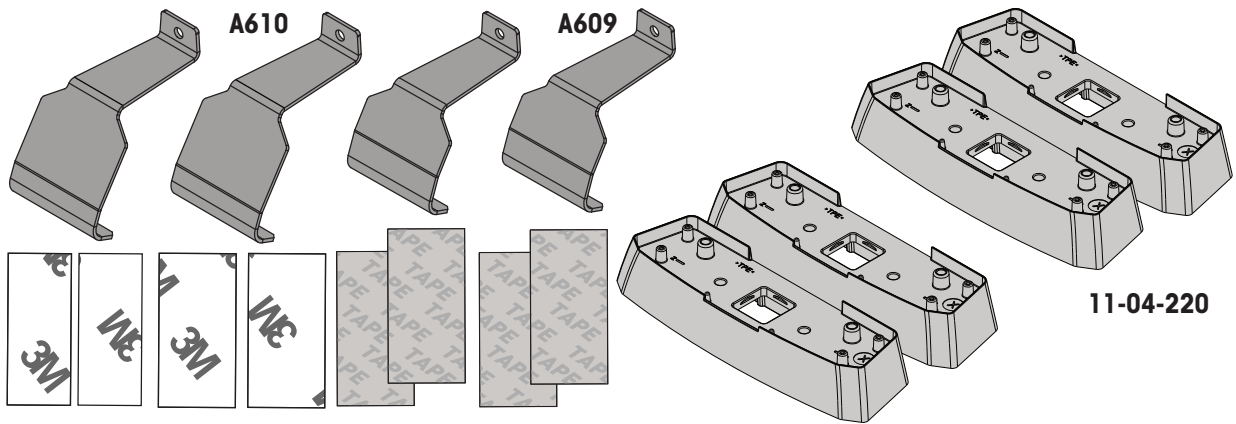


		<b>F</b> <b>T</b> <b>S</b>	<b>HD</b> <b>THD</b>
Ford Ranger Double Cab, 4dr Ute Nov 11-Jul 15	AU, NZ	65 kg (143 lb)	65 kg (143 lb)
Ford Ranger Double Cab, 4dr Ute 12-15	EU	65 kg (143 lb)	65 kg (143 lb)
Ford Ranger Double Cab, 4dr Ute 15-21	EU	65 kg (143 lb)	65 kg (143 lb)
Ford Ranger Double Cab, 4dr Ute Aug 15-Jun 22	AU, NZ	65 kg (143 lb)	65 kg (143 lb)

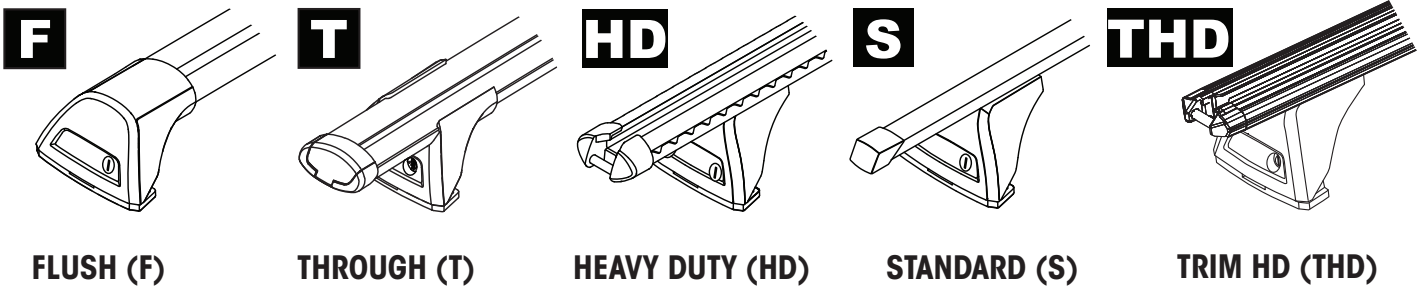
			
Ford Ranger Double Cab, 4dr Ute 22+	EU	65 kg (143 lb)	65 kg (143 lb)
Ford Ranger Double Cab, 4dr Ute Jul 22+	AU, NZ	65 kg (143 lb)	65 kg (143 lb)
Ford Ranger Single Cab, 2dr Ute 12-15	EU	35 kg (77 lb)	35 kg (77 lb)
Ford Ranger Single Cab, 2dr Ute 12-Jan 15	AU, NZ	35 kg (77 lb)	35 kg (77 lb)
Ford Ranger Single Cab, 2dr Ute 15-22	AU, EU, NZ	35 kg (77 lb)	35 kg (77 lb)
Ford Ranger Single Cab, 2dr Ute 23+	AU, EU, NZ	35 kg (77 lb)	35 kg (77 lb)
Ford Ranger Super Cab, 4dr Ute Jan 12-15	EU	65 kg (143 lb)	65 kg (143 lb)
Ford Ranger Super Cab, 4dr Ute Jan 12-Jul 15	AU, NZ	65 kg (143 lb)	65 kg (143 lb)
Ford Ranger Super Cab, 4dr Ute 15+	EU	65 kg (143 lb)	65 kg (143 lb)
Ford Ranger Super Cab, 4dr Ute Aug 15+	AU, NZ	65 kg (143 lb)	65 kg (143 lb)
Ford Ranger Raptor Double Cab, 4dr Ute 18-Sep 22	AU, NZ	65 kg (143 lb)	65 kg (143 lb)
Ford Ranger Raptor Double Cab, 4dr Ute 22+	EU	65 kg (143 lb)	65 kg (143 lb)
Ford Ranger Raptor Double Cab, 4dr Ute Oct 22+	AU, NZ	65 kg (143 lb)	65 kg (143 lb)
Mazda BT-50 Dual Cab, 4dr Ute Nov 11-Aug 15	AU, EU, NZ	65 kg (143 lb)	65 kg (143 lb)
Mazda BT-50 Dual Cab, 4dr Ute Sep 15-May 18	AU, NZ	65 kg (143 lb)	65 kg (143 lb)
Mazda BT-50 Dual Cab, 4dr Ute Jun 18-Sep 20	AU, NZ	65 kg (143 lb)	65 kg (143 lb)
Mazda BT-50 Freestyle Cab, 4dr Ute 11 Nov-15 Aug	AU, NZ	65 kg (143 lb)	65 kg (143 lb)
Mazda BT-50 Freestyle Cab, 4dr Ute Sep 15-May 18	AU, NZ	65 kg (143 lb)	65 kg (143 lb)
Mazda BT-50 Freestyle Cab, 4dr Ute Jun 18-Sep 20	AU, NZ	65 kg (143 lb)	65 kg (143 lb)
Mazda BT-50 Single Cab, 2dr Ute 11 Nov-15 Aug	AU, NZ	35 kg (77 lb)	35 kg (77 lb)
Mazda BT-50 Single Cab, 2dr Ute Sep 15-May 18	AU, NZ	35 kg (77 lb)	35 kg (77 lb)
Mazda BT-50 Single Cab, 2dr Ute Jun 18-Sep 20	AU, NZ	35 kg (77 lb)	35 kg (77 lb)



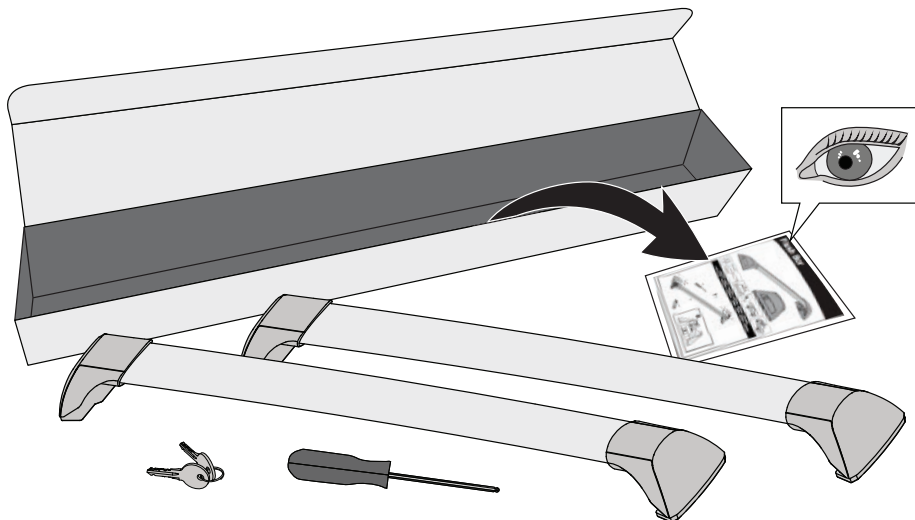
CONTENTS • INHALT • CONTENIDO • CONTENU • INNHOLD • CONTEÚDO • CONTENUTO  
 ZAWARTOŚĆ • OBSAH • OBSAH • INHOUD • INNEHÅLL • INDHOLD • ЗМІСТ • SISÄLLYS

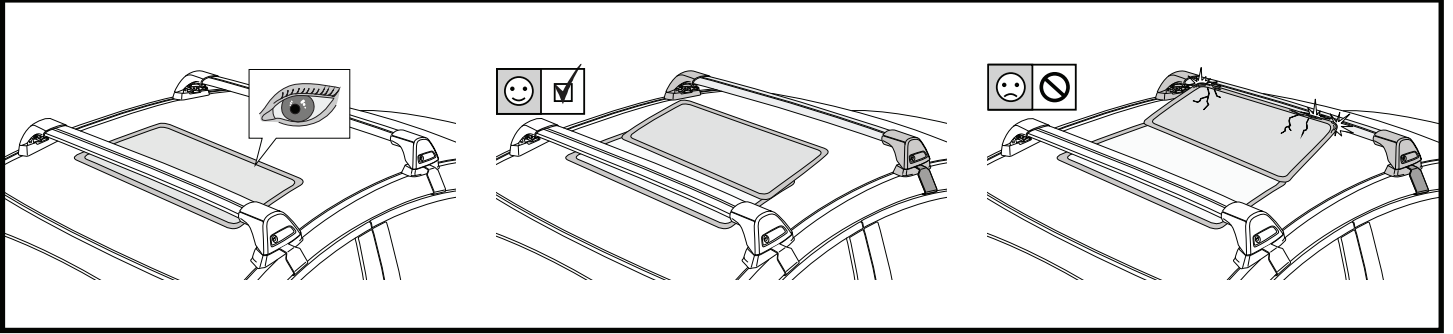


COMPATIBLE WITH • KOMPATIBEL MIT • COMPATIBLE CON • COMPATIBLE AVEC • KOMPATIBEL MED •  
 COMPATÍVEL COM • COMPATIBLE CON • KOMPATYBILNOŚĆ Z • KOMPATIBILNÍ S • KOMPATIBILNÉ S •  
 COMPATIBEL MET • KOMPATIBEL MED • KOMPATIBEL MED • СУМІСНИЙ З • УНТЕНСОПІВА



ATTENTION • ACHTUNG • ATENCIÓN • ATTENTION • OPPMERKSOMHET • ATENÇÃO • ATTENZIONE • UWAGA  
 UPOZORNĚNÍ • UPOZORNENIE • LET OP • UPPMÄRKSAMHET • OPMÆRKSOMHED • УВАГА • HUOMIO





**1**

**F**

**T**

**HD**

**S**

**THD**

**x4**

**2**

**HD/S**

**F/T**

**F**

**T**

**HD**

**THD**

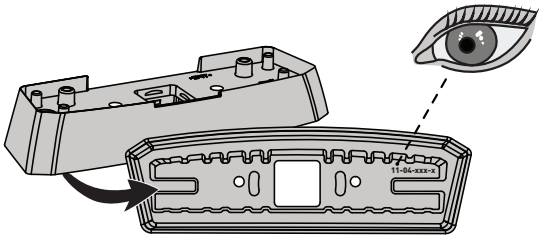
**S**

**x10**

**a**

**x4**

**3**



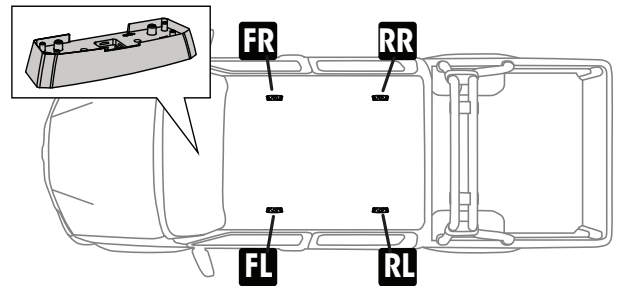
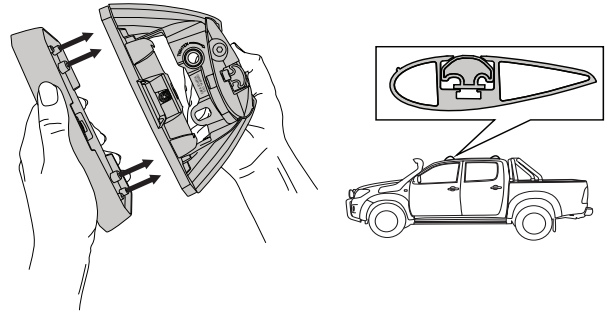
**FR** = 11-04-220

**FL** = 11-04-220

**RR** = 11-04-220

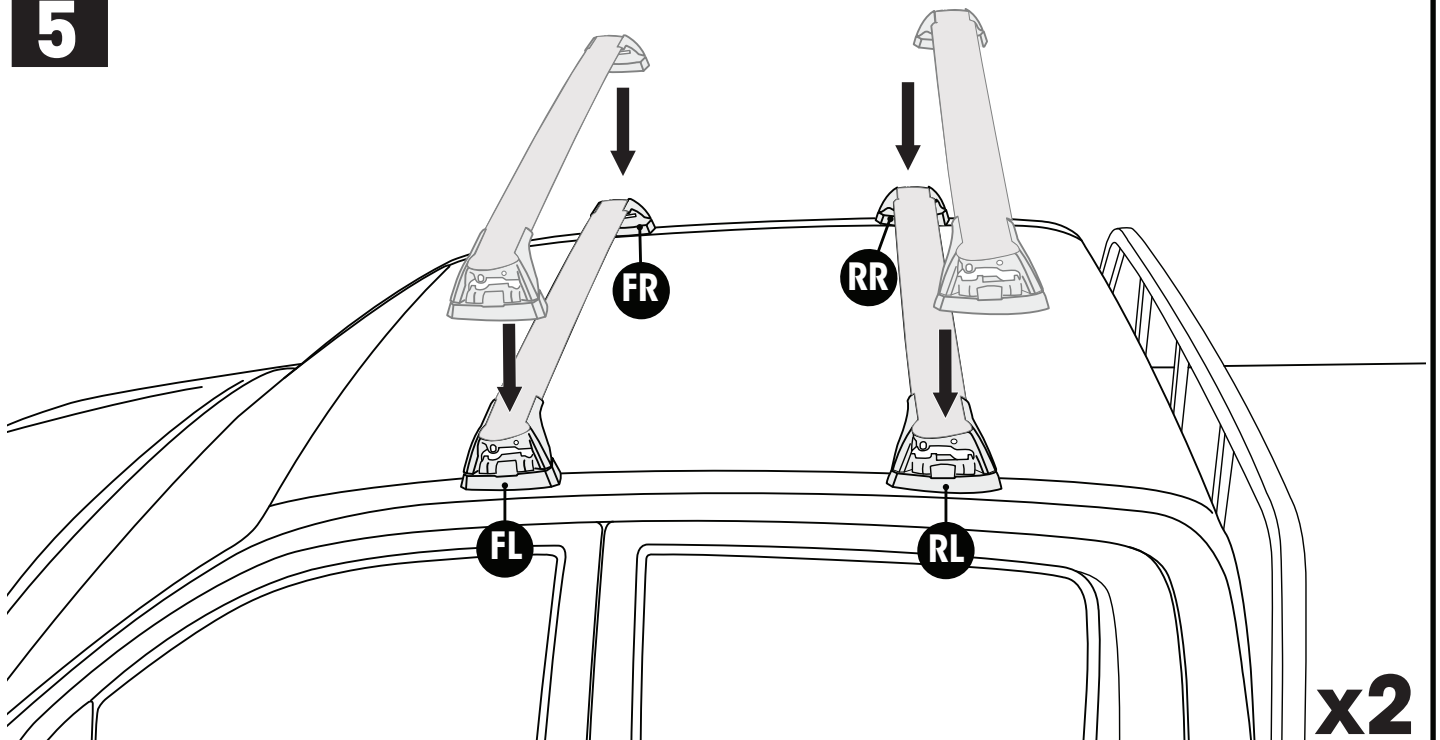
**RL** = 11-04-220

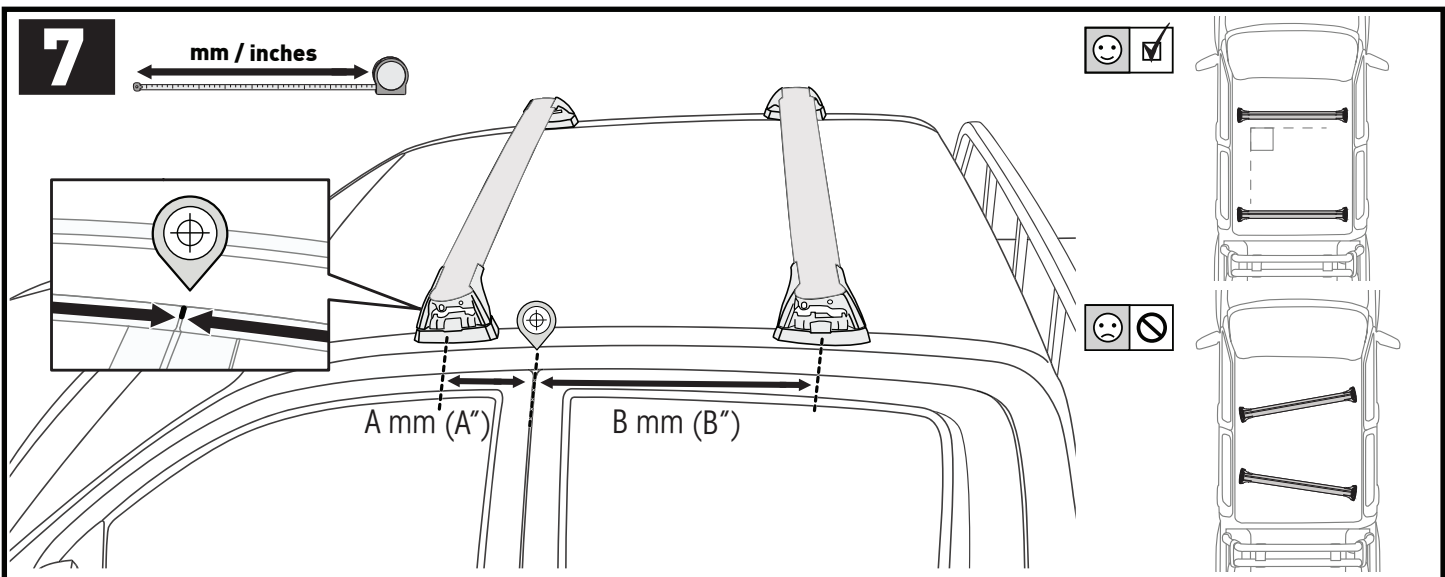
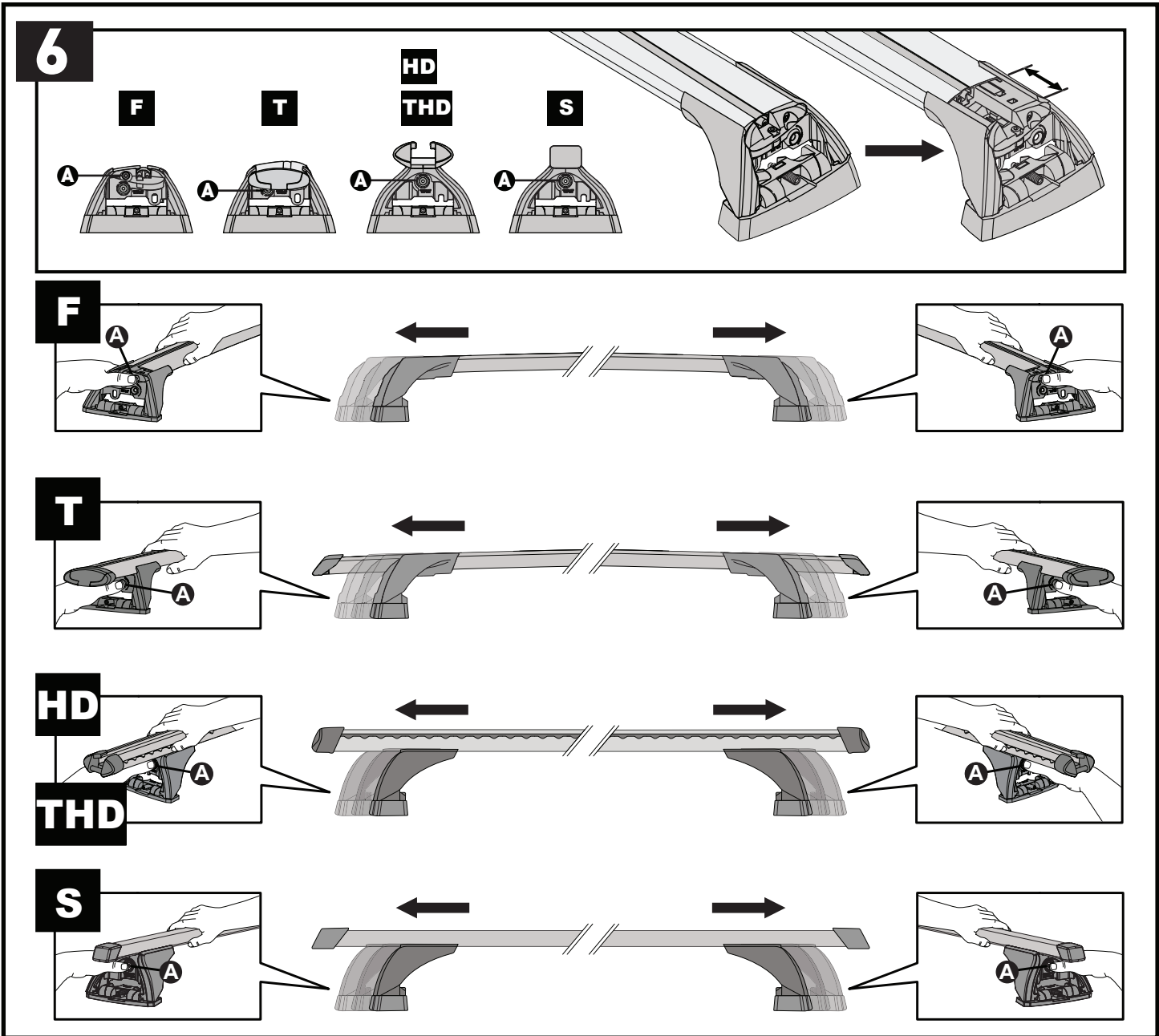
**4**







PLACEMENT • PLATZIERUNG • COLOCACIÓN • MONTAGE • PLASSERING • COLOCAÇÃO • MONTAGGIO • UMIESZCZENIE  
UMÍSTĚNÍ • UMIESTNENIE • PLAATSING • PLACERING • PLACERING • РОЗМІЩЕННЯ • SIJOITTA

**5**

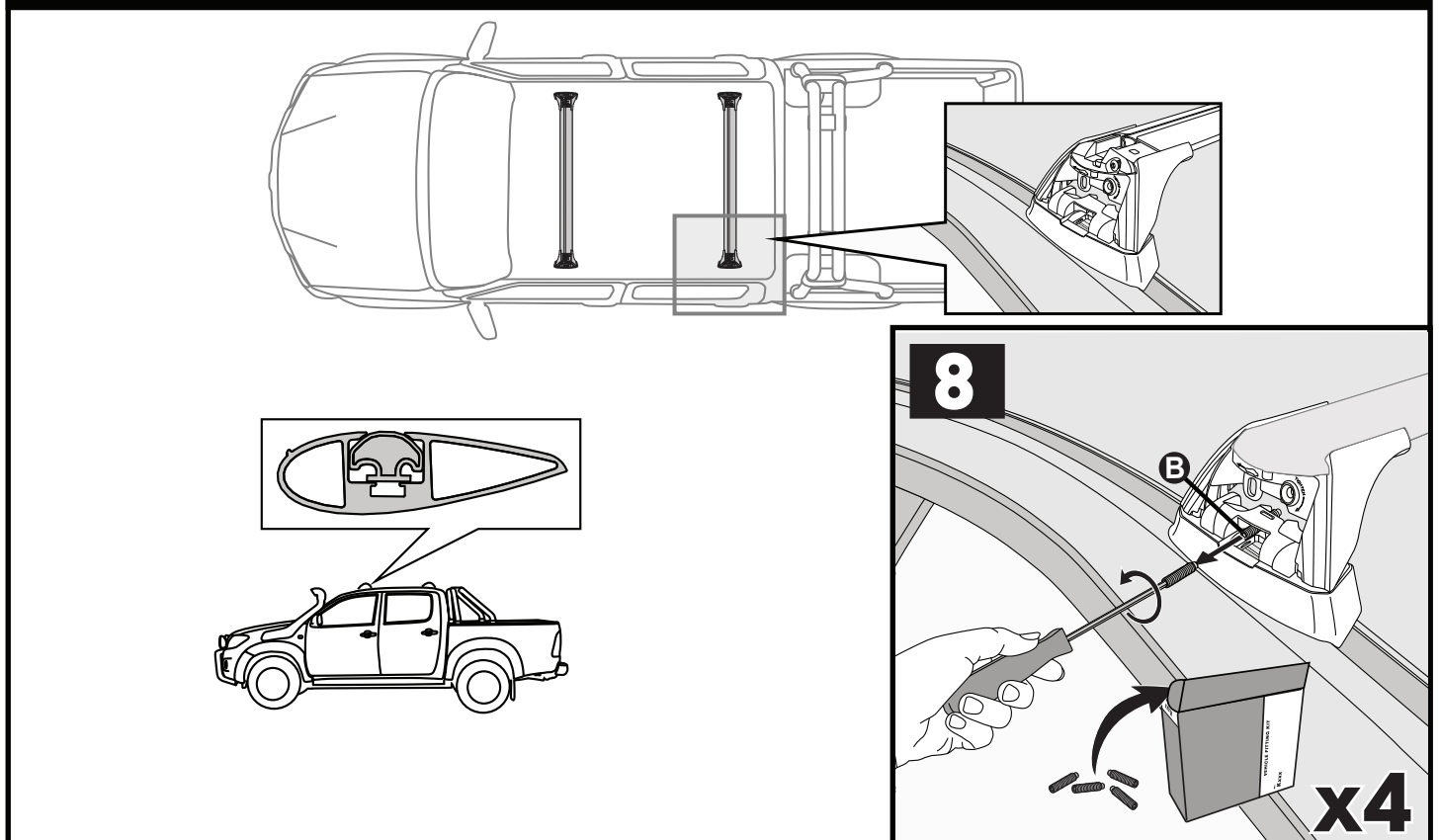




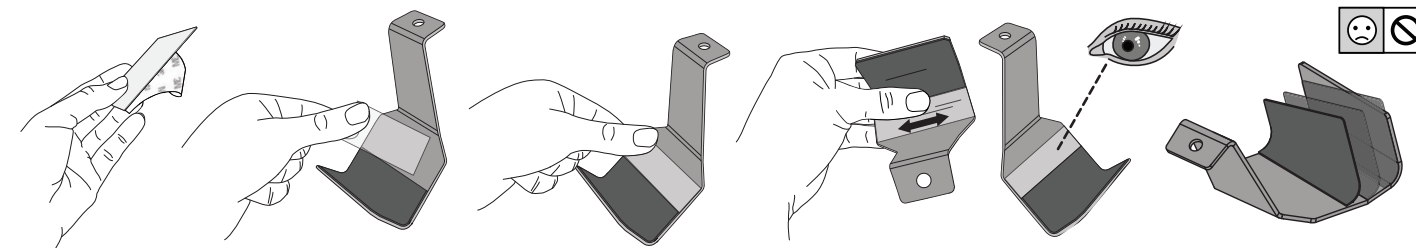
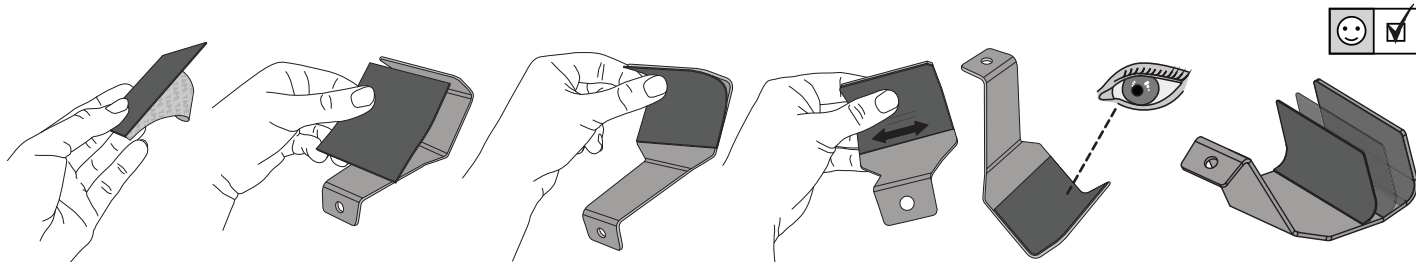
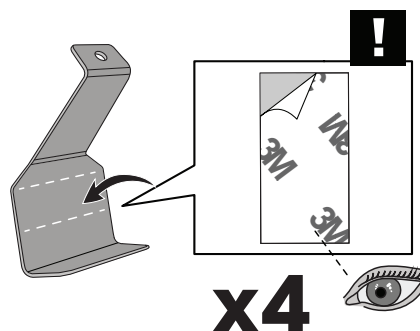
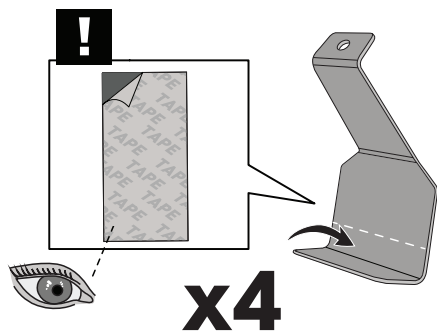
		A	B
Ford Ranger Double Cab, 4dr Ute Nov 11-Jul 15	AU, NZ	A = 220 mm (8 5/8")	B = 530 mm (20 7/8")
Ford Ranger Double Cab, 4dr Ute 12-15	EU	A = 220 mm (8 5/8")	B = 530 mm (20 7/8")
Ford Ranger Double Cab, 4dr Ute 15-21	EU	A = 220 mm (8 5/8")	B = 530 mm (20 7/8")

		A	B
Ford Ranger Double Cab, 4dr Ute Aug 15-Jun 22	AU, NZ	A = 220 mm (8 5/8")	B = 530 mm (20 7/8")
Ford Ranger Double Cab, 4dr Ute 22+	EU	A = 220 mm (8 5/8")	B = 535 mm (21 1/8")
Ford Ranger Double Cab, 4dr Ute Jul 22+	AU, NZ	A = 220 mm (8 5/8")	B = 535 mm (21 1/8")
Ford Ranger Single Cab, 2dr Ute 12-15	EU	A = 220 mm (8 5/8")	-
Ford Ranger Single Cab, 2dr Ute 12-Jan 15	AU, NZ	A = 220 mm (8 5/8")	-
Ford Ranger Single Cab, 2dr Ute 15-22	AU, EU, NZ	A = 220 mm (8 5/8")	-
Ford Ranger Single Cab, 2dr Ute 23+	AU, EU, NZ	A = 395 mm (15 1/2")	-
Ford Ranger Super Cab, 4dr Ute 12-15	EU	A = 230 mm (9")	B = 370 mm (14 5/8")
Ford Ranger Super Cab, 4dr Ute 12-Jul 15	AU, NZ	A = 230 mm (9")	B = 370 mm (14 5/8")
Ford Ranger Super Cab, 4dr Ute 15+	EU	A = 230 mm (9")	B = 370 mm (14 5/8")
Ford Ranger Super Cab, 4dr Ute Aug 15+	AU, NZ	A = 230 mm (9")	B = 370 mm (14 5/8")
Ford Ranger Raptor Double Cab, 4dr Ute 18-Sep 22	AU, NZ	A = 220 mm (8 5/8")	B = 530 mm (20 7/8")
Ford Ranger Raptor Double Cab, 4dr Ute 22+	EU	A = 220 mm (8 5/8")	B = 535 mm (21 1/8")
Ford Ranger Raptor Double Cab, 4dr Ute Oct 22+	AU, NZ	A = 220 mm (8 5/8")	B = 535 mm (21 1/8")
Mazda BT-50 Dual Cab, 4dr Ute Nov 11-Aug 15	AU, EU, NZ	A = 220 mm (8 5/8")	B = 530 mm (20 7/8")
Mazda BT-50 Dual Cab, 4dr Ute Sep 15-May 18	AU, NZ	A = 220 mm (8 5/8")	B = 530 mm (20 7/8")
Mazda BT-50 Dual Cab, 4dr Ute Jun 18-Sep 20	AU, NZ	A = 220 mm (8 5/8")	B = 530 mm (20 7/8")
Mazda BT-50 Freestyle Cab, 4dr Ute 11 Nov-15 Aug	AU, NZ	A = 230 mm (9")	B = 370 mm (14 5/8")
Mazda BT-50 Freestyle Cab, 4dr Ute Sep 15-May 18	AU, NZ	A = 230 mm (9")	B = 370 mm (14 5/8")
Mazda BT-50 Freestyle Cab, 4dr Ute Jun 18-Sep 20	AU, NZ	A = 230 mm (9")	B = 370 mm (14 5/8")
Mazda BT-50 Single Cab, 2dr Ute 11 Nov-15 Aug	AU, NZ	A = 220 mm (8 5/8")	-
Mazda BT-50 Single Cab, 2dr Ute Sep 15-May 18	AU, NZ	A = 220 mm (8 5/8")	-
Mazda BT-50 Single Cab, 2dr Ute Jun 18-Sep 20	AU, NZ	A = 220 mm (8 5/8")	-

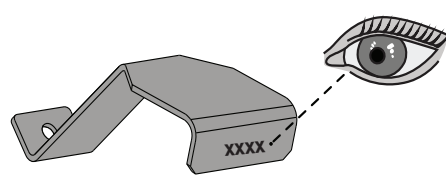
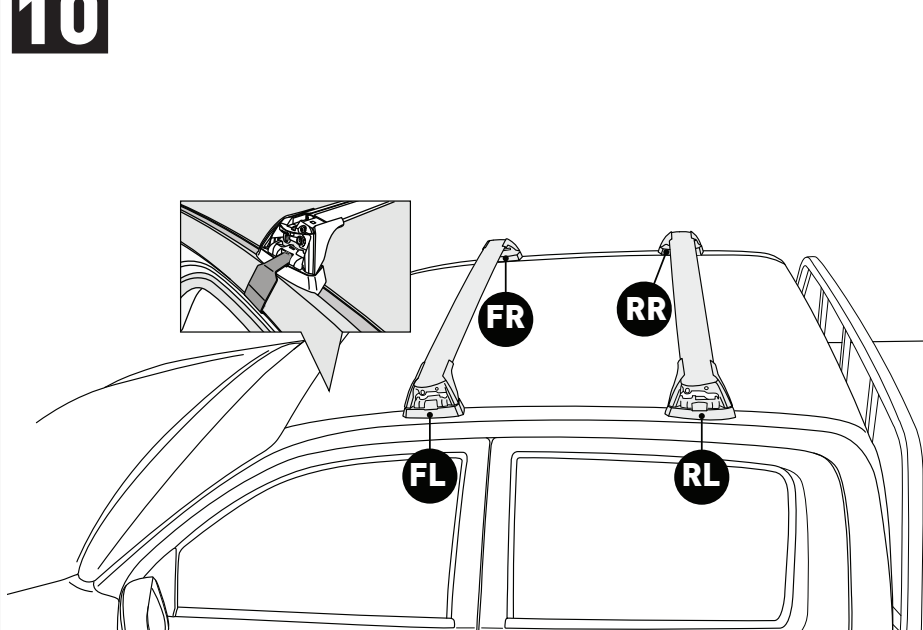
**PLACEMENT • PLATZIERUNG • COLOCACIÓN • MONTAGE • PLASSERING • COLOCAÇÃO • MONTAGGIO • UMIESZCZENIE  
UMÍSTĚNÍ • UMIESTNENIE • PLAATSING • PLACERING • PLACERING • РОЗМІЩЕННЯ • СИЮИТТА**



**9**

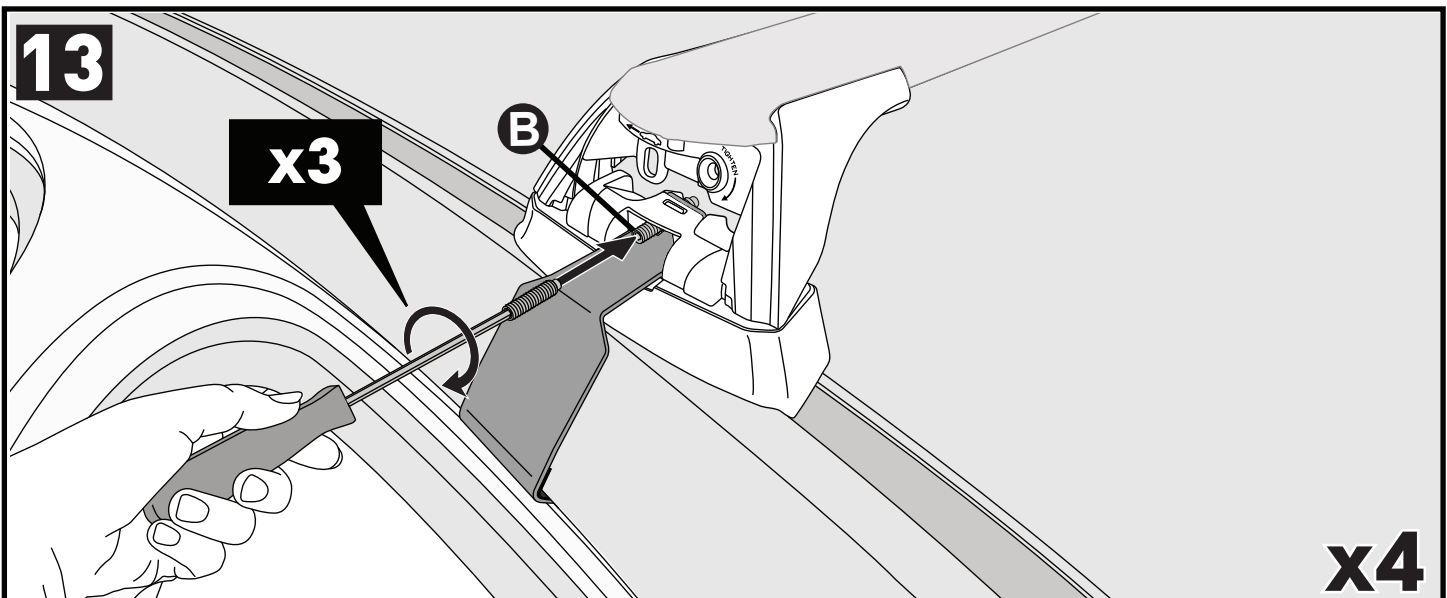
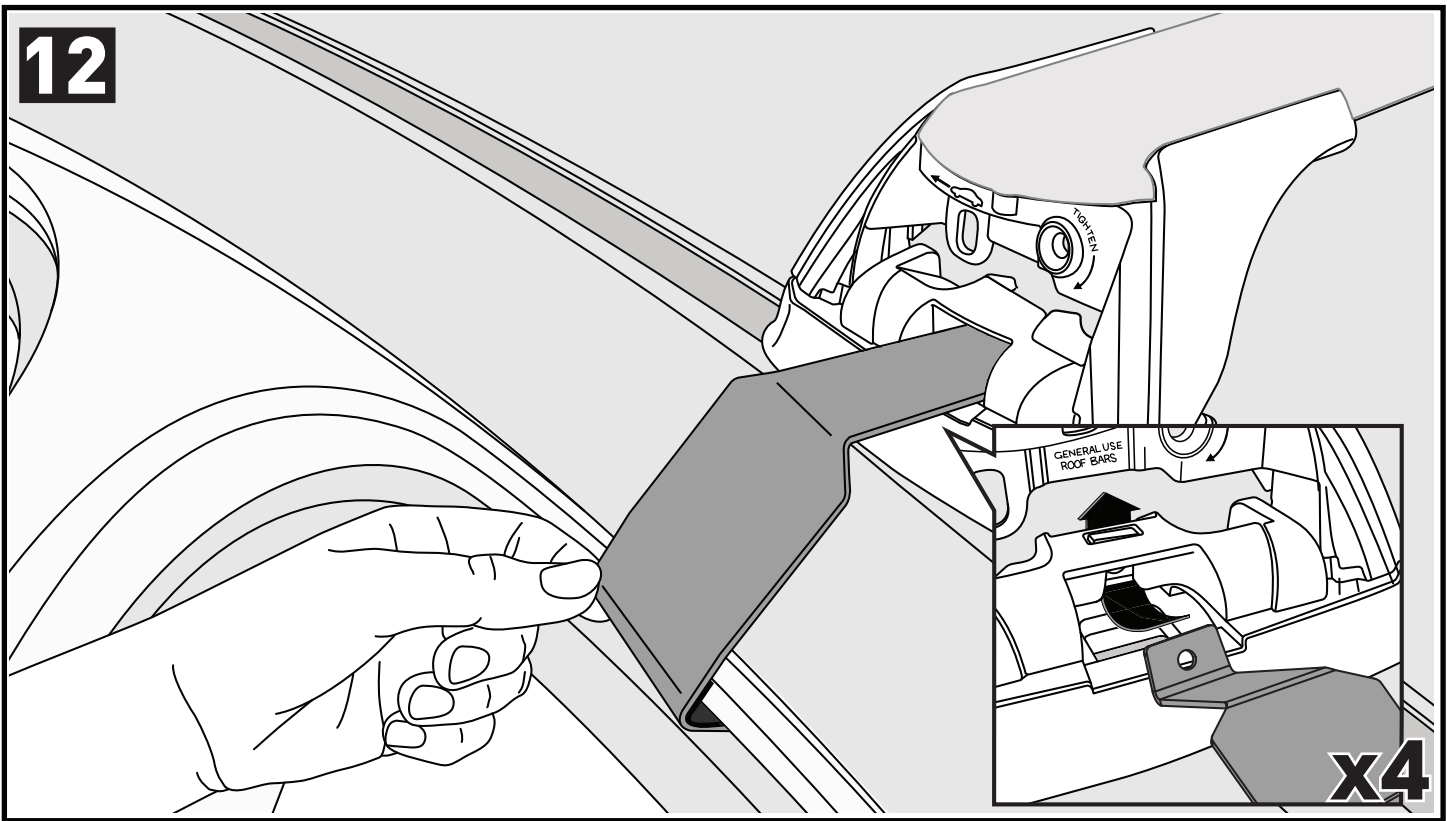
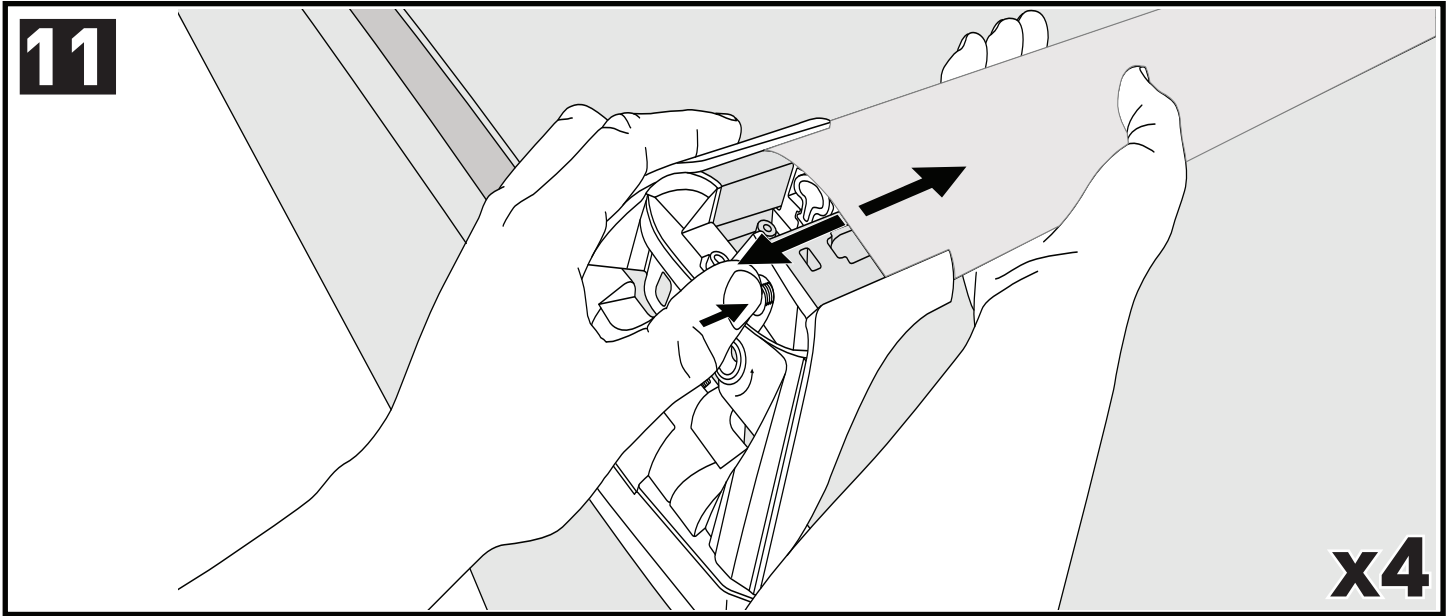


**10**

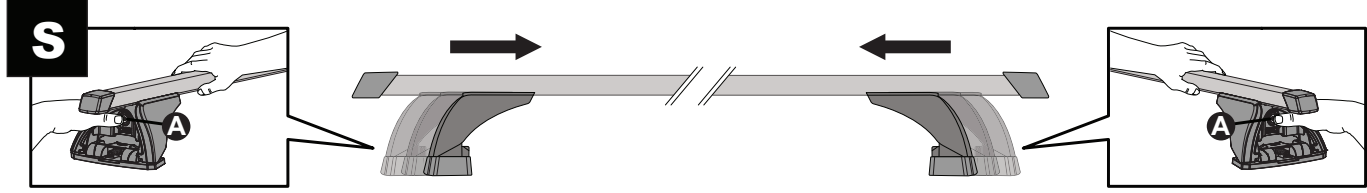
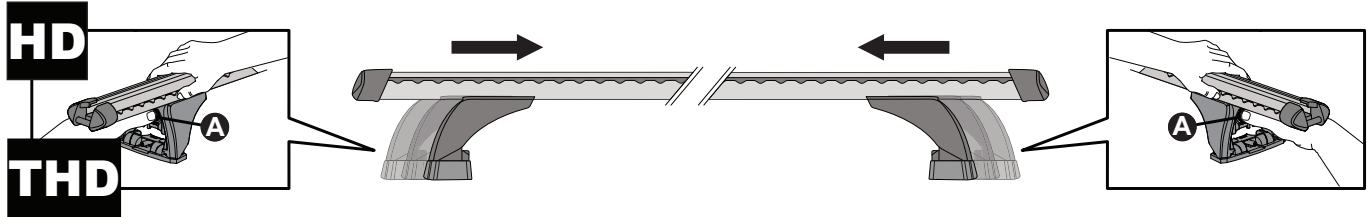
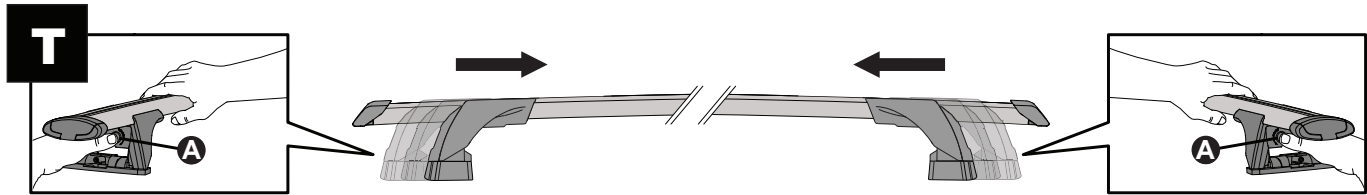
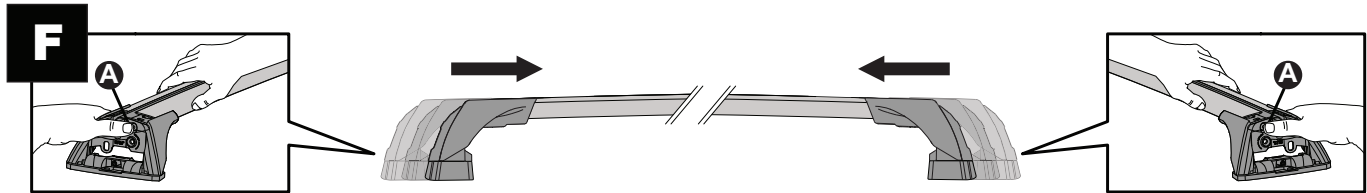
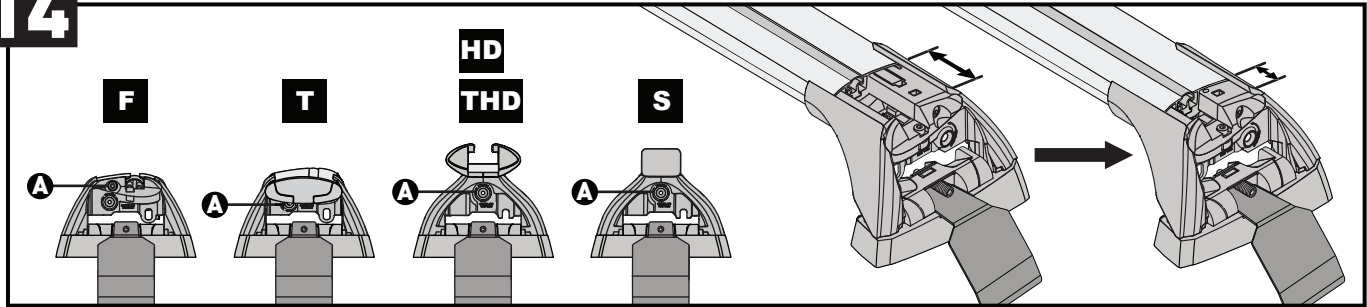


- FR = A609**
- FL = A609**
- RR = A610**
- RL = A610**



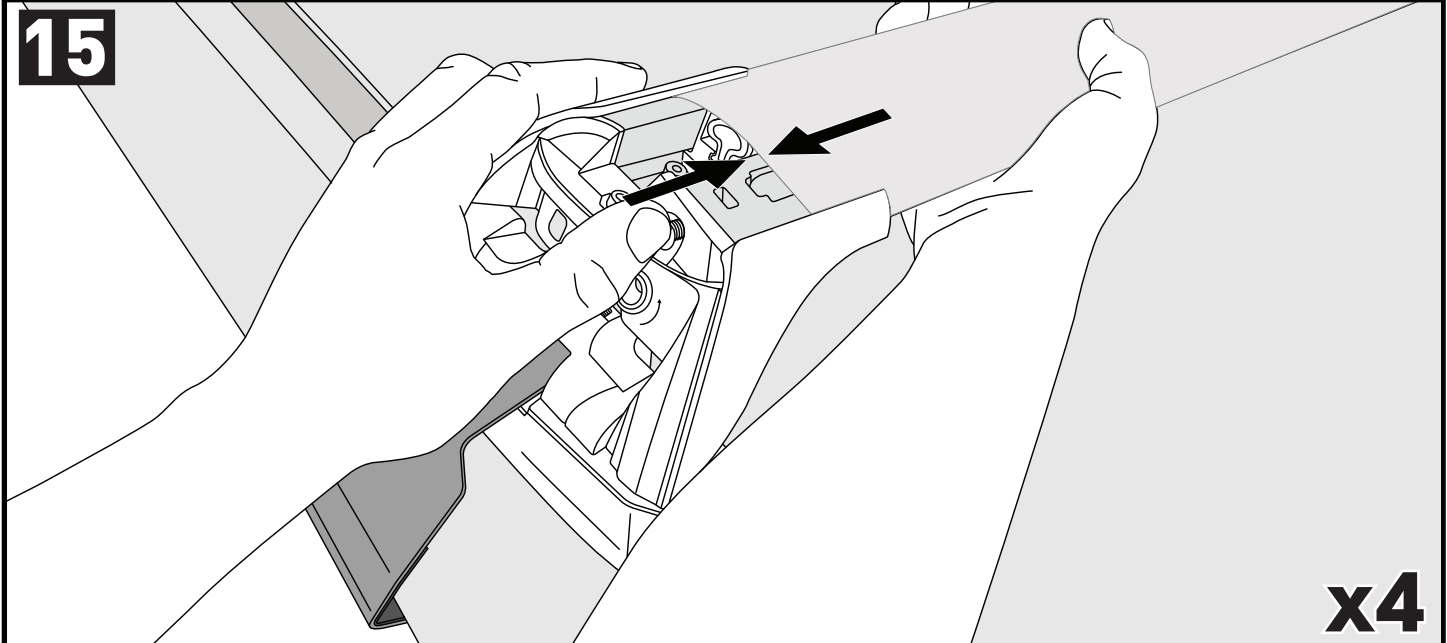


**14**

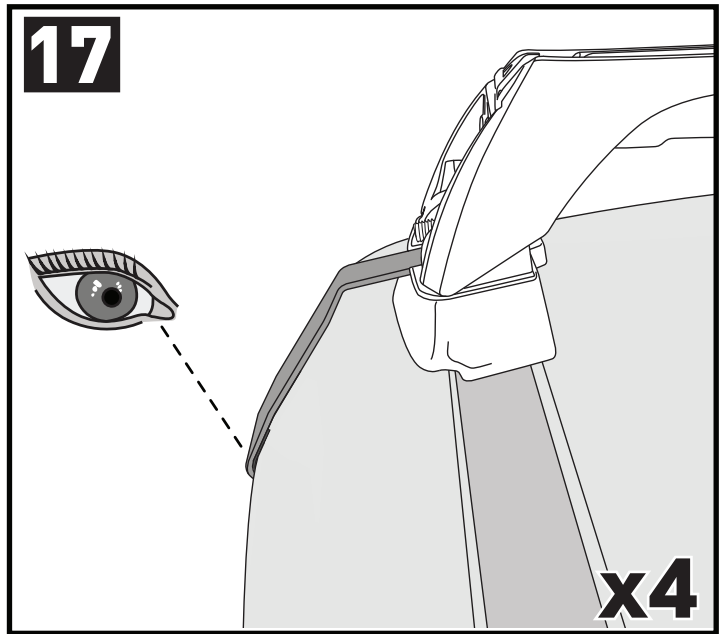
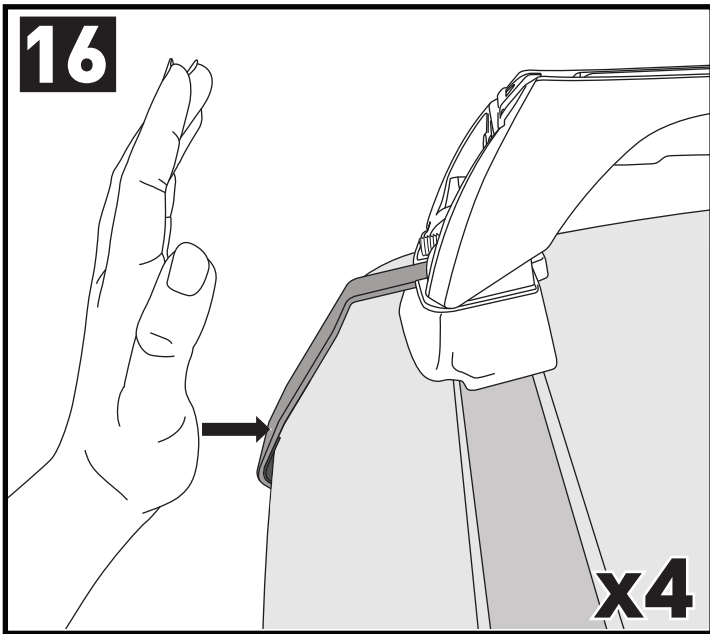


**CLOSE • GESCHLOSSEN • CERRAR • FERMER • LUKKE • FECHAR • CHIUDERE • BLISKO  
ZAVŘÍT • ZAVRIET' • GESLOTEN • STÄNGA • LUK • ЗАКРИТИ • SULKEA**

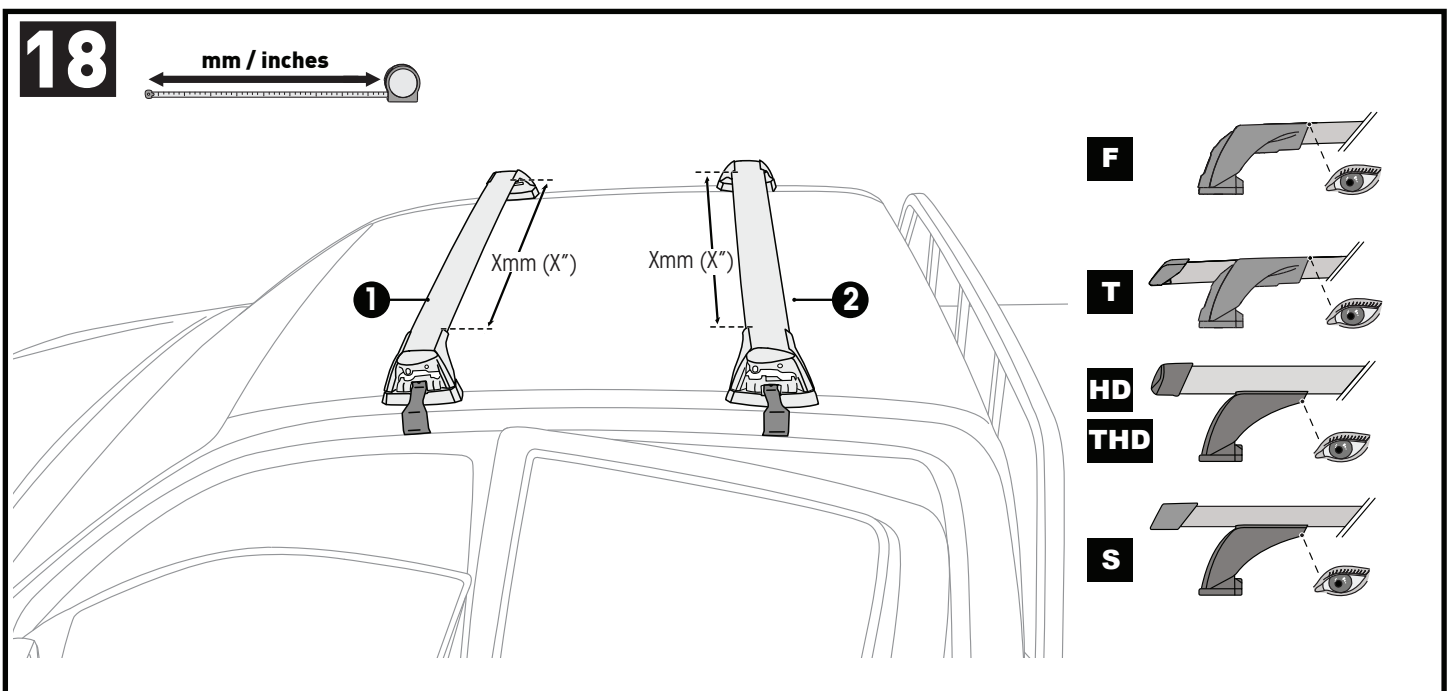
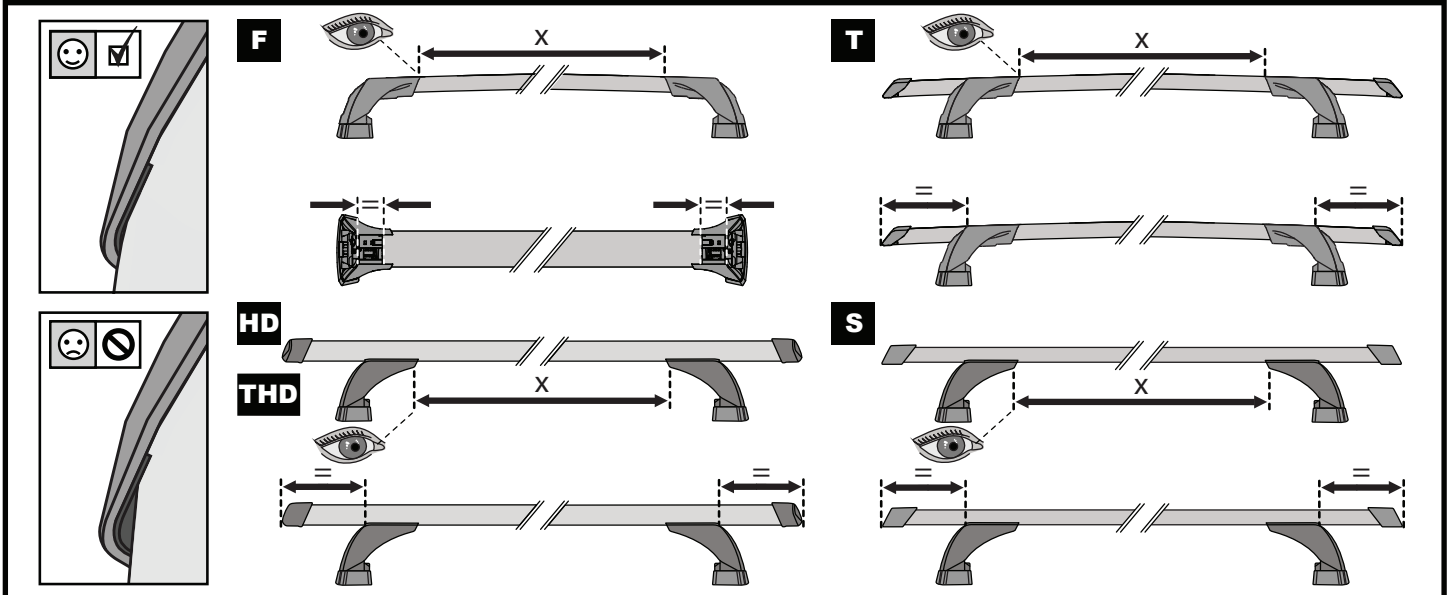
**15**

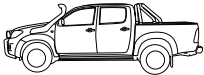



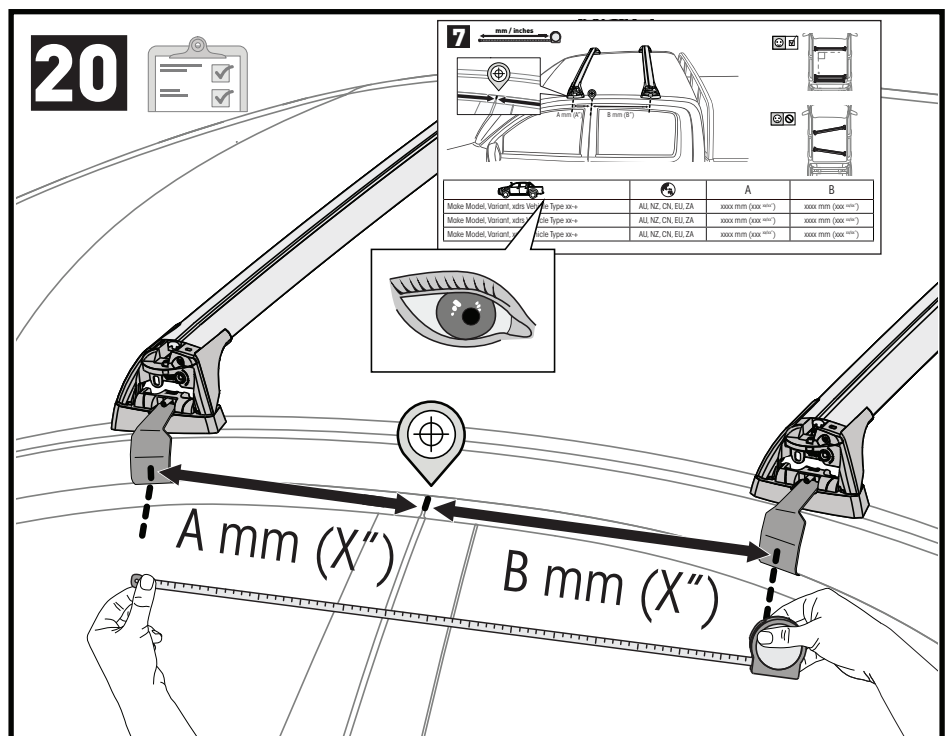
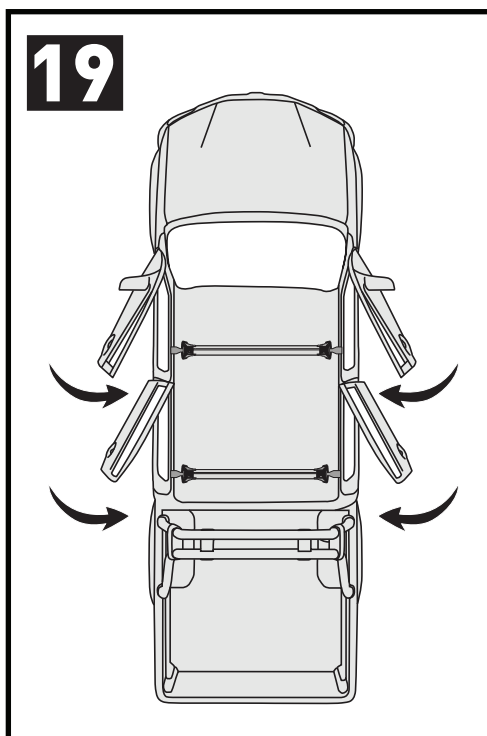
**x4**



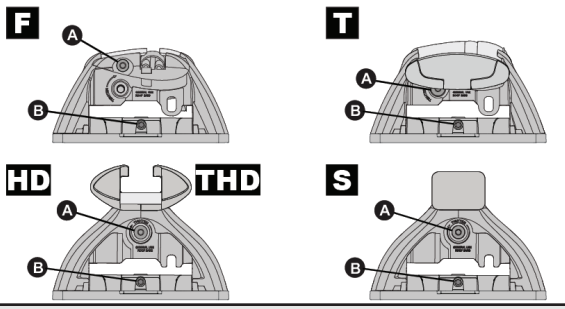
**ATTENTION • ACHTUNG • ATENCIÓN • ATTENTION • OPPMERKSOMHET • ATENÇÃO • ATTENZIONE • UWAGA  
 UPOZORNĚNÍ • UPOZORNENIE • LET OP • UPPMÄRKSAMHET • OPMÆRKSOMHED • УВАГА • HUOMIO**



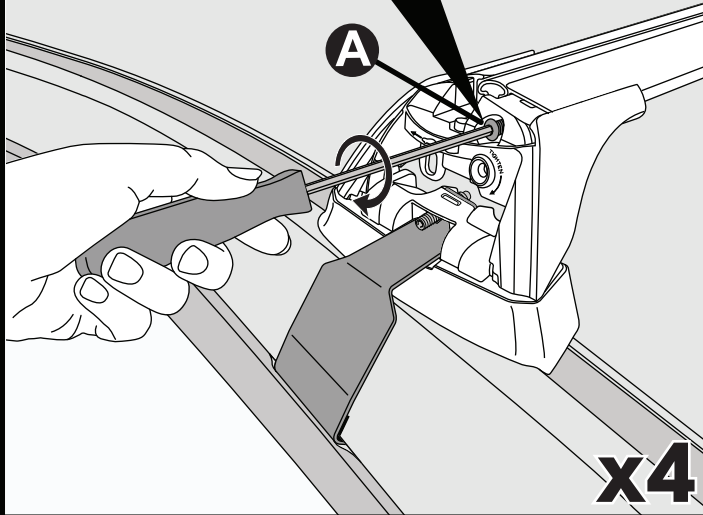
		1	2
Ford Ranger Double Cab, 4dr Ute Nov 11-Jul 15	AU, NZ	X = 935 mm (36 3/4")	X = 915 mm (36")
Ford Ranger Double Cab, 4dr Ute 12-15	EU	X = 935 mm (36 3/4")	X = 915 mm (36")
Ford Ranger Double Cab, 4dr Ute 15-21	EU	X = 935 mm (36 3/4")	X = 915 mm (36")
Ford Ranger Double Cab, 4dr Ute Aug 15-Jun 22	AU, NZ	X = 935 mm (36 3/4")	X = 915 mm (36")
Ford Ranger Double Cab, 4dr Ute 22+	EU	X = 940 mm (37")	X = 925 mm (36 3/8")
Ford Ranger Double Cab, 4dr Ute Jul 22+	AU, NZ	X = 940 mm (37")	X = 925 mm (36 3/8")
Ford Ranger Single Cab, 2dr Ute 12-15	EU	X = 940 mm (37")	-
Ford Ranger Single Cab, 2dr Ute 12-Jan 15	AU, NZ	X = 940 mm (37")	-
Ford Ranger Single Cab, 2dr Ute 15-22	AU, EU, NZ	X = 940 mm (37")	-
Ford Ranger Single Cab, 2dr Ute 23+	AU, EU, NZ	X = 930 mm (36 5/8")	-
Ford Ranger Super Cab, 4dr Ute Jan 12-15	EU	X = 935 mm (36 3/4")	X = 915 mm (36")
Ford Ranger Super Cab, 4dr Ute Jan 12-Jul 15	AU, NZ	X = 935 mm (36 3/4")	X = 915 mm (36")
Ford Ranger Super Cab, 4dr Ute 15+	EU	X = 935 mm (36 3/4")	X = 915 mm (36")
Ford Ranger Super Cab, 4dr Ute Aug 15+	AU, NZ	X = 935 mm (36 3/4")	X = 915 mm (36")
Ford Ranger Raptor Double Cab, 4dr Ute 18-Sep 22	AU, NZ	X = 937 mm (36 7/8")	X = 930 mm (36 5/8")
Ford Ranger Raptor Double Cab, 4dr Ute 22+	EU	X = 940 mm (37")	X = 925 mm (36 3/8")
Ford Ranger Raptor Double Cab, 4dr Ute Oct 22+	AU, NZ	X = 940 mm (37")	X = 925 mm (36 3/8")
Mazda BT-50 Dual Cab, 4dr Ute Nov 11-Aug 15	AU, EU, NZ	X = 935 mm (36 3/4")	X = 915 mm (36")
Mazda BT-50 Dual Cab, 4dr Ute Sep 15-May 18	AU, NZ	X = 935 mm (36 3/4")	X = 925 mm (36 3/8")
Mazda BT-50 Dual Cab, 4dr Ute Jun 18-Sep 20	AU, NZ	X = 935 mm (36 3/4")	X = 925 mm (36 3/8")
Mazda BT-50 Freestyle Cab, 4dr Ute 11 Nov-15 Aug	AU, NZ	X = 935 mm (36 3/4")	X = 925 mm (36 3/8")
Mazda BT-50 Freestyle Cab, 4dr Ute Sep 15-May 18	AU, NZ	X = 935 mm (36 3/4")	X = 925 mm (36 3/8")
Mazda BT-50 Freestyle Cab, 4dr Ute Jun 18-Sep 20	AU, NZ	X = 935 mm (36 3/4")	X = 925 mm (36 3/8")
Mazda BT-50 Single Cab, 2dr Ute 11 Nov-15 Aug	AU, NZ	X = 940 mm (37")	-
Mazda BT-50 Single Cab, 2dr Ute Sep 15-May 18	AU, NZ	X = 935 mm (36 3/4")	-
Mazda BT-50 Single Cab, 2dr Ute Jun 18-Sep 20	AU, NZ	X = 935 mm (36 3/4")	-



21



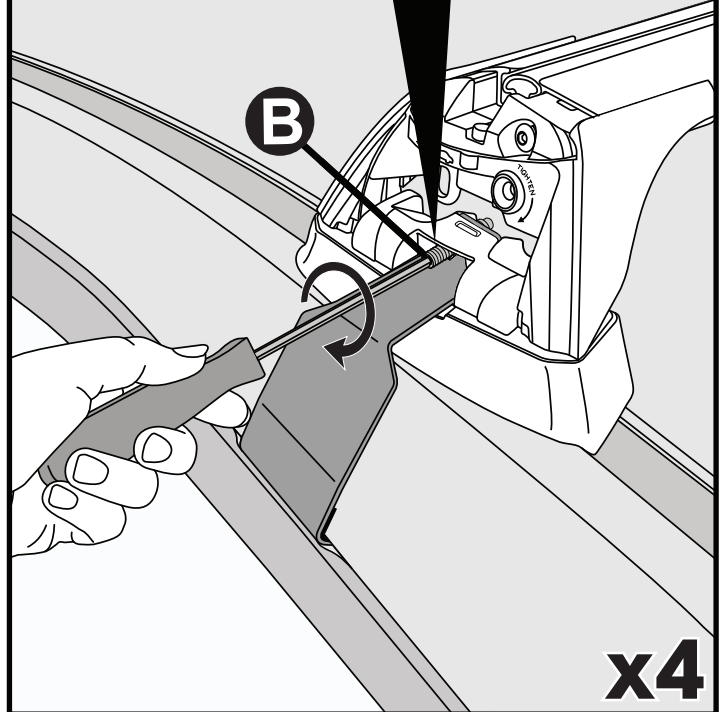
2 Nm  
(18 lb-in)



x4

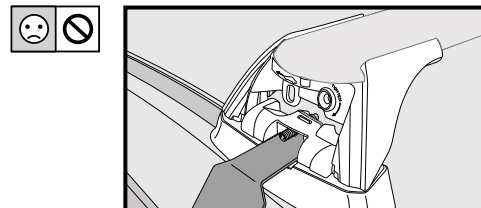
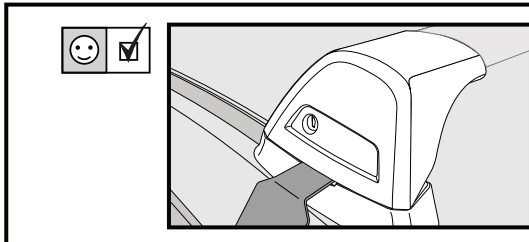
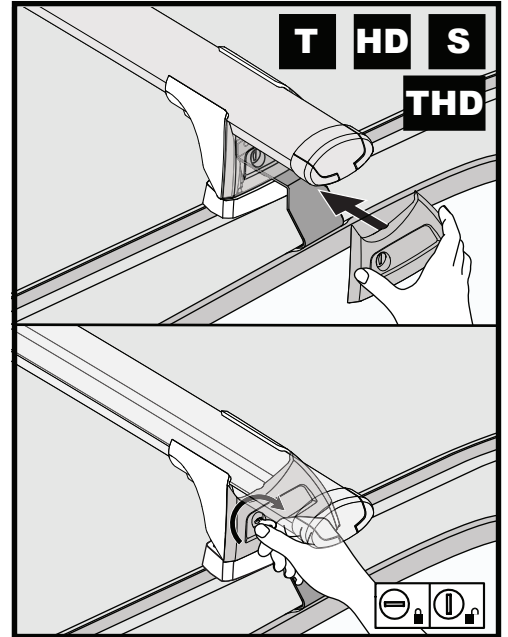
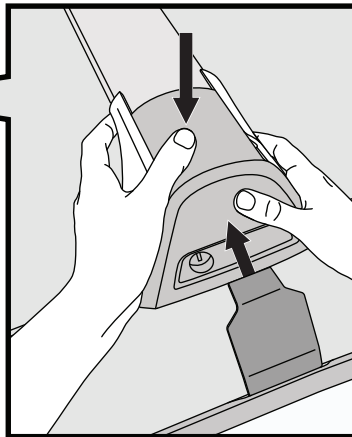
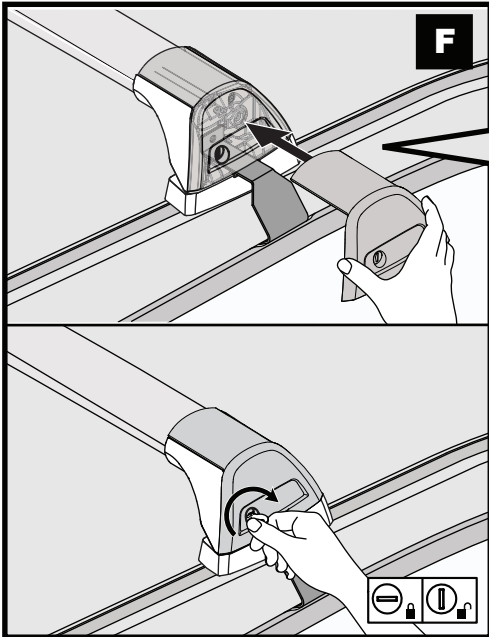
22

2.5 Nm  
(22 lb-in)

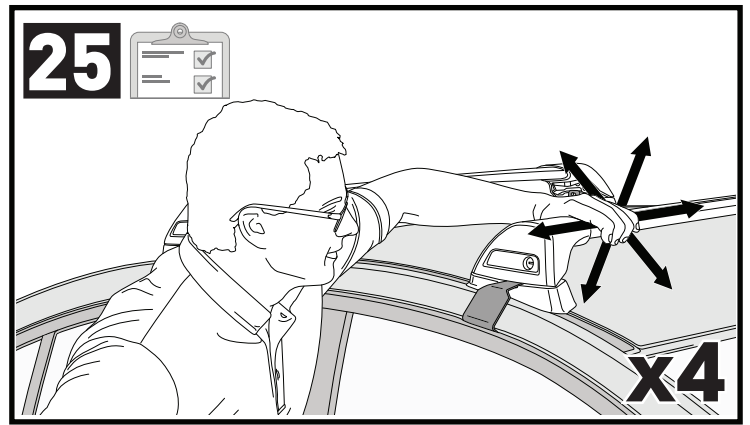
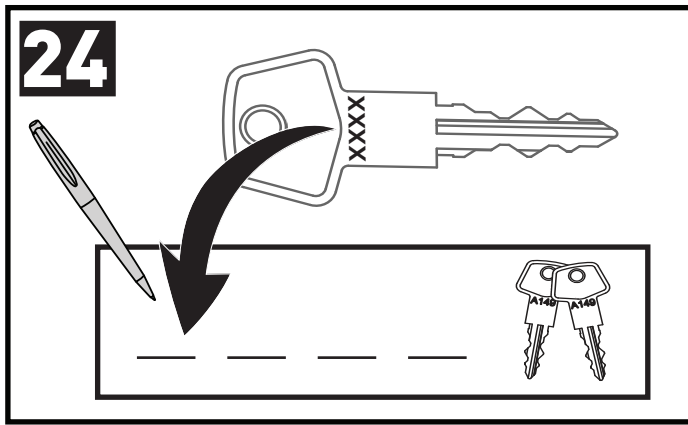


x4

23

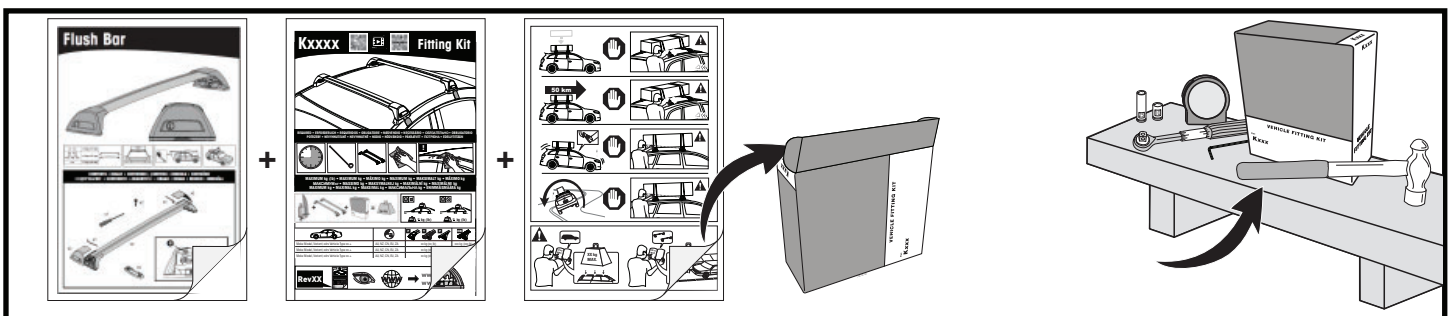
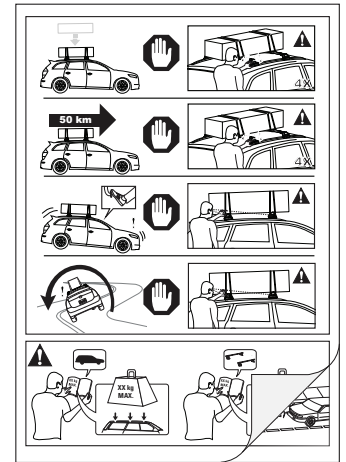


x4



**ATTENTION • ACHTUNG • ATENCIÓN • ATTENTION • OPPMERKSOMHET • ATENÇÃO • ATTENZIONE • UWAGA  
UPOZORNĚNÍ • UPOZORNENIE • LET OP • UPPMÄRKSAMHET • OPMÆRKSOMHED • УВАГА • HUOMIO**

- EN** Please read safety and warranty booklet included with this product prior to use. For more information visit your local dealer.
- DE** Bitte lesen und beachten Sie die beiliegende Montageanleitung, Sicherheitshinweise und Garantiebedingungen bevor Sie das Produkt montieren/benutzen. Für weitere Informationen kontaktieren Sie bitte Ihren Händler.
- ES** Por favor, lea folleto de seguridad y garantía que se incluye con este producto antes de su uso. Para obtener más información, visite a su distribuidor local.
- FR** Veuillez lire attentivement le manuel de sécurité et de garantie avant utilisation. Pour plus d'informations, visitez votre concessionnaire local.
- NO** Vennligst les hefte om sikkerhet og garanti som er vedlagt dette produkt før det tas i bruk. For mer informasjon ta kontakt med din forhandler.
- PT** Por favor leia o manual de segurança e garantia incluído, antes de utilizar o produto. Para mais informações visite o seu revendedor local.
- IT** Si prega di leggere il libretto di sicurezza e garanzia incluso nel prodotto prima dell'uso. Per maggiori informazioni visita il rivenditore locale.
- PL** Proszę zapoznać się z warunkami gwarancji i bezpieczeństwa przed użyciem produktu. W celu uzyskania dodatkowych informacji proszę kontaktować się z najbliższym autoryzowanym punktem sprzedaży.
- CS** Před použitím si prosím přečtěte příložené informace o bezpečnosti a záručních podmínkách. Pro více informací navštivte nejbližšího dealera.
- SK** Pred použitím si prosím prečítajte priložené informácie o bezpečnosti a záručných podmienkach. Pre viac informácií navštívte najbližšieho diera.
- NL** A.U.B. bijgesloten garantie- en veiligheidsinstructies grondig lezen voor gebruik van dit product. Voor meer informatie graag contact opnemen met uw dealer.
- SV** Var snäll och läs igenom säkerhets- och garantihäftet som medföljer produkten före användning. För mer information besök din lokala återförsäljare.
- DK** Læs venligst sikkerheds- og garantibogholderen, der følger med dette produkt, inden brug. For mere information besøg din lokale forhandler.
- UA** Будь ласка, ознайомтеся з броюрою безпеки та гарантії, включені до цього продукту перед використанням. Для отримання додаткової інформації відвідайте місцевого дилера.
- FI** Lue tämän tuotteen mukana toimitetut turvallisuus- ja takuu huoltopalvelut ennen käyttöä. Lisätietoja saat paikalliselta jälleenmyyjältä.



**ALL CONTENT SUBJECT TO YAKIMA AUSTRALIA PTY LTD COPYRIGHT © 2017**

Yakima Australia Pty Ltd  
17 Hinkler Court, Brendale  
QLD 4500, Australia  
1800 143 548  
www.prorack.com.au  
www.yakima.com.au

Yakima Products, Inc.  
4101 Kruse Way  
Lake Oswego, OR. 97035 USA  
888 925 4621  
www.yakima.com

WORKS WITH:  
**prorack**  
WHISPBAR  
**YAKIMA**