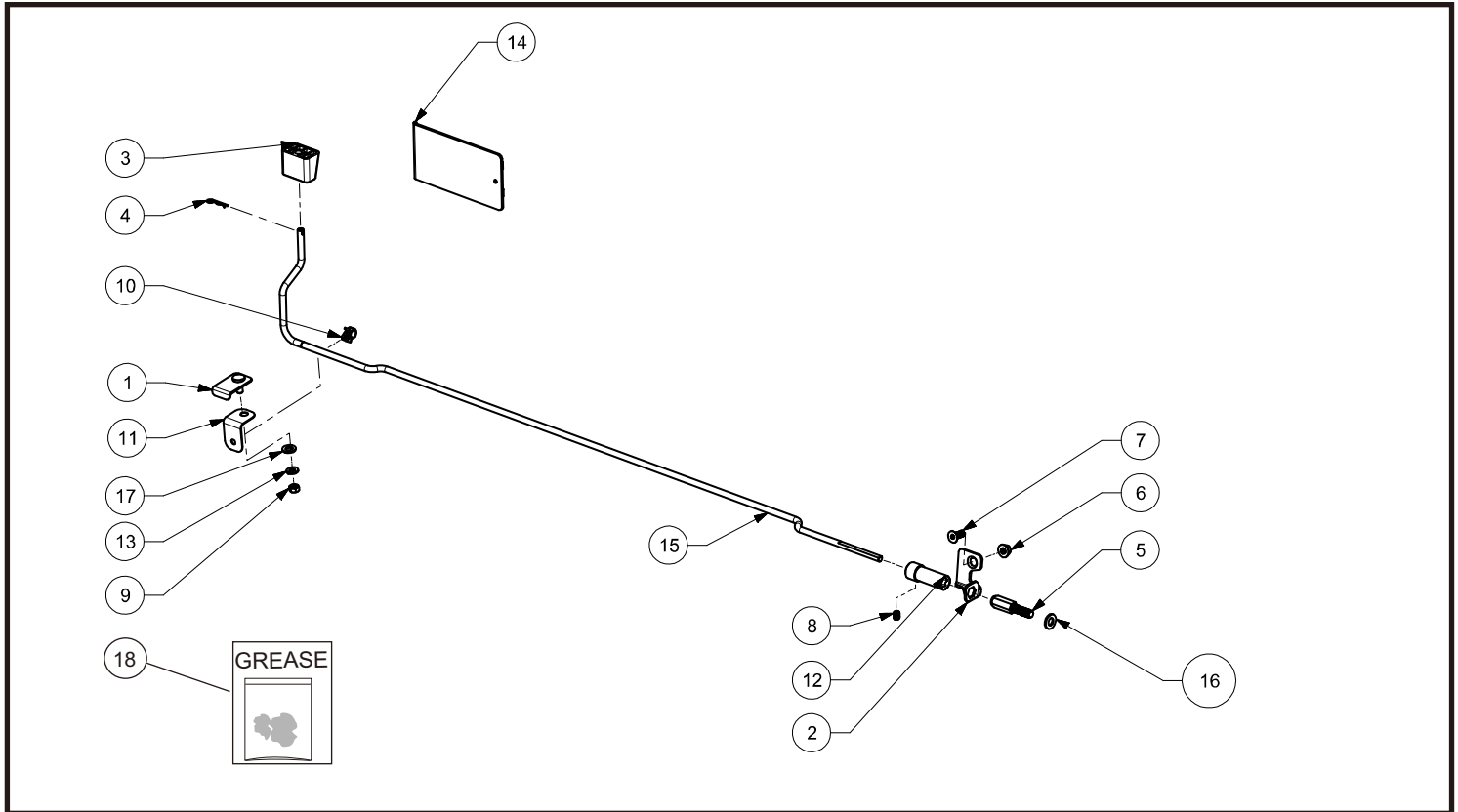


INSTALLATION INSTRUCTION

AEROKLAS TAILGATE ASSIST UP&DOWN TOYOTA REVO 15



ULLSTEIN
CONCEPTS
GMBH



No.	Part Name	Part No.	Q'ty
1.	BOLT BRACKET M8X1.25XL20	-	1
2.	BRACKET LOCK FOR EXTENSION BOLT	-	1
3.	BUSH SUPPORT	-	1
4.	CLEVIS PIN	-	1
5.	EXTENSION BOLT M10X1.25XL35 (HEAD 14 mm.)	-	1
6.	FLANGE NUT M8	-	1
7.	FLAT HEAD SOCKET CAP SCREW M8X16	-	1
8.	SOCKET SET SCREW M8X1.25XL10	-	1
9.	NUT M8	-	1
10.	ROD HOLDER (NO.0356)	-	1
11.	ROD HOLDER PLATE FOR TOYOTA REVO	-	1
12.	SHAFT CONNECTOR FOR TORSION BAR 8 mm. TAP M8x1.25	-	1
13.	SPRING WASHER M8	-	1
14.	SUPPORT PLATE INSIDE 80X157X3 mm.	-	1
15.	TORSION BAR FOR TOYOTA REVO	-	1
16.	WASHER M10	-	1
17.	WASHER M8	-	1
18.	GREASE	-	1

Installation Tools

1. Open-Ended Wrench No.12
2. Socket Wrench No. 14
3. Allen Wrench No. 4, 5
4. Extension Socket
5. Screw Driver

1 1.Adjust RHS Hinge
 1.1 Loosen Bolt at RHS Hinge by wrench no.12
 1.2 Push the hinge down untie stop then tighten bolt to fit well.

RH

No. 12

2

3 Remove screw at righthand side

3.1

3.2

No.14

4

4.1

16

5

Torque = 20-35 Nm.

No. 14

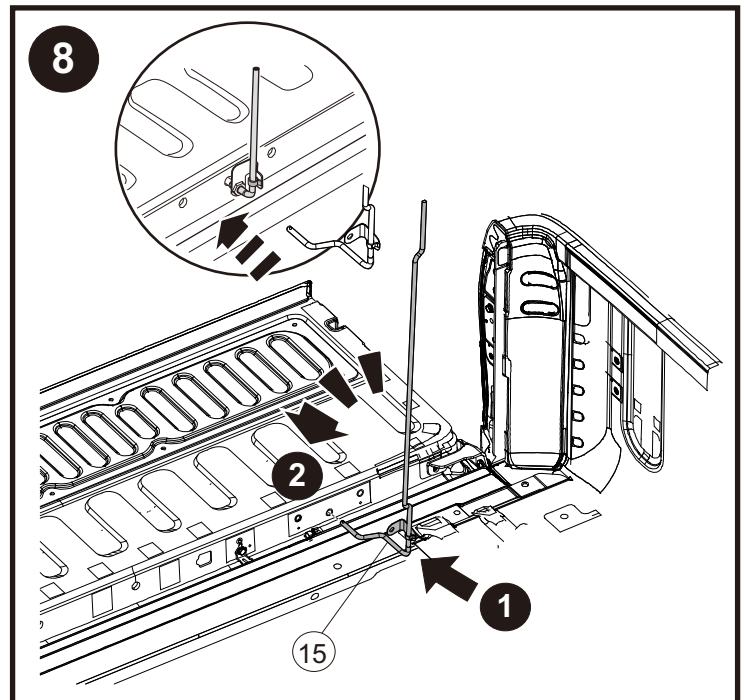
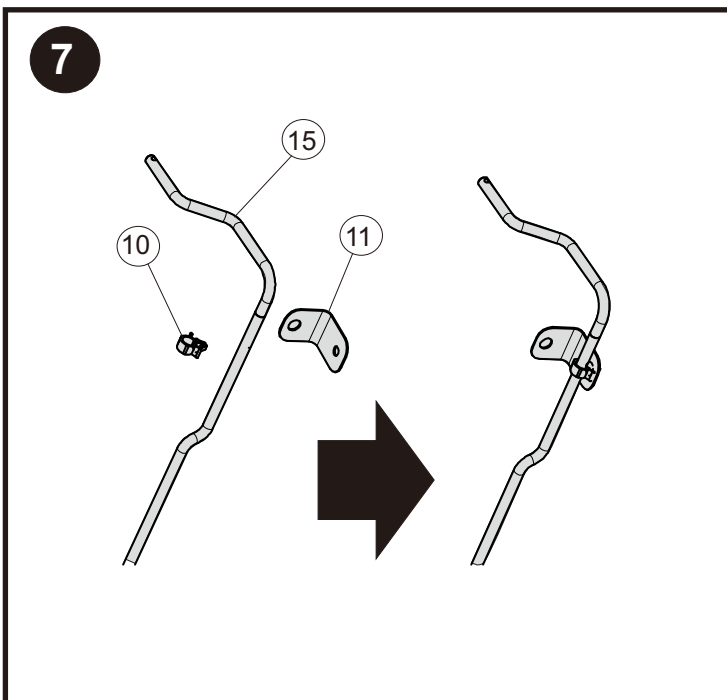
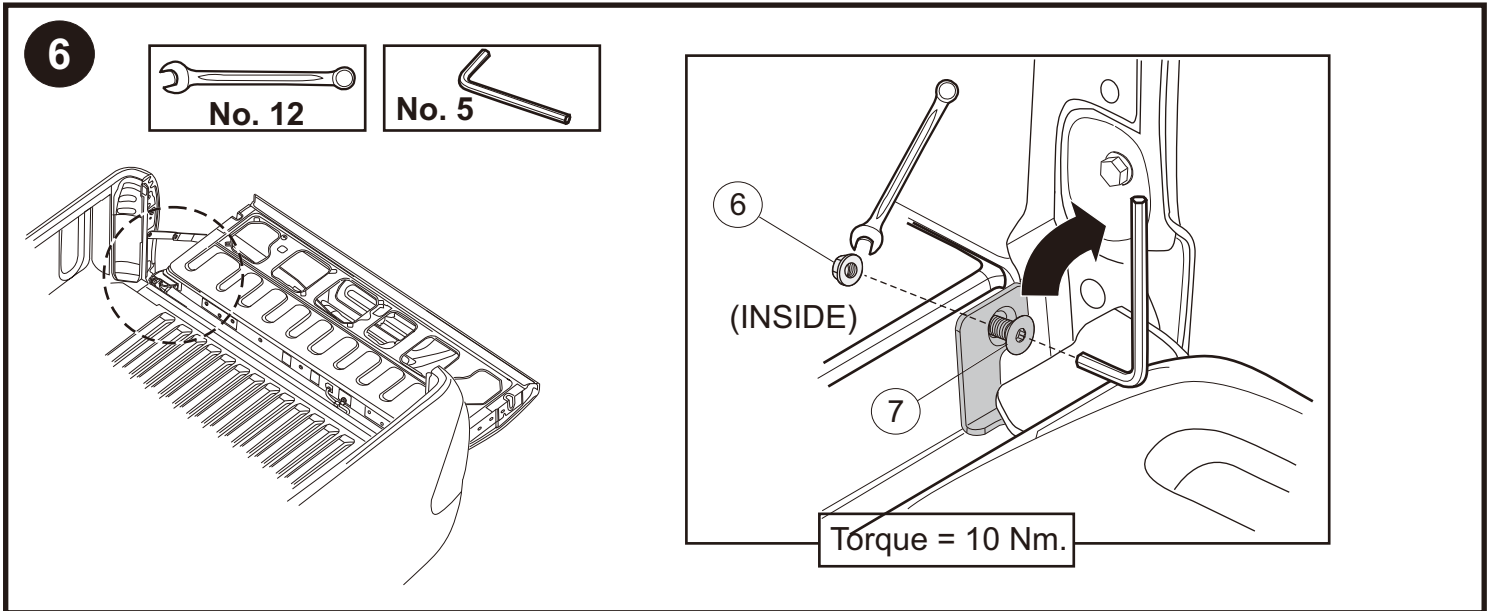
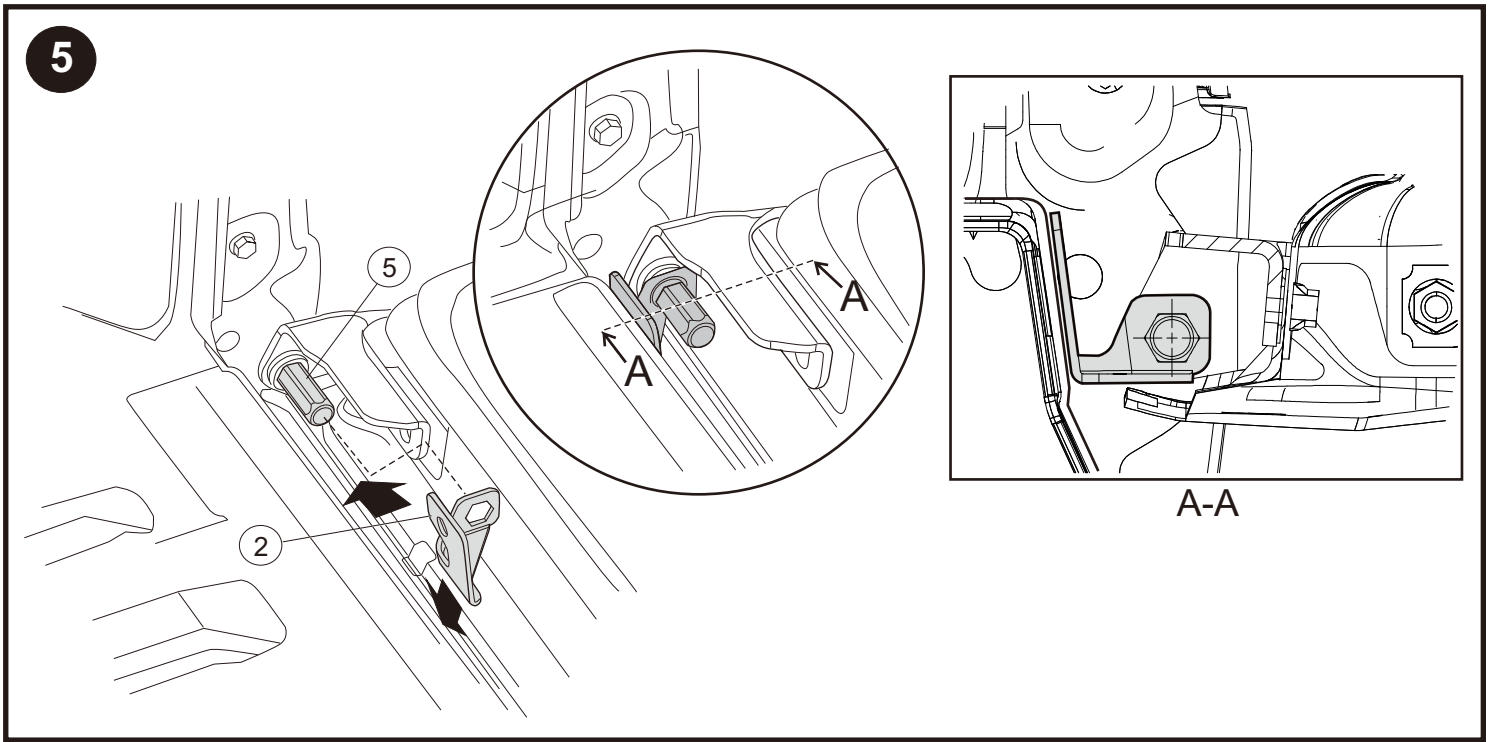
4.2

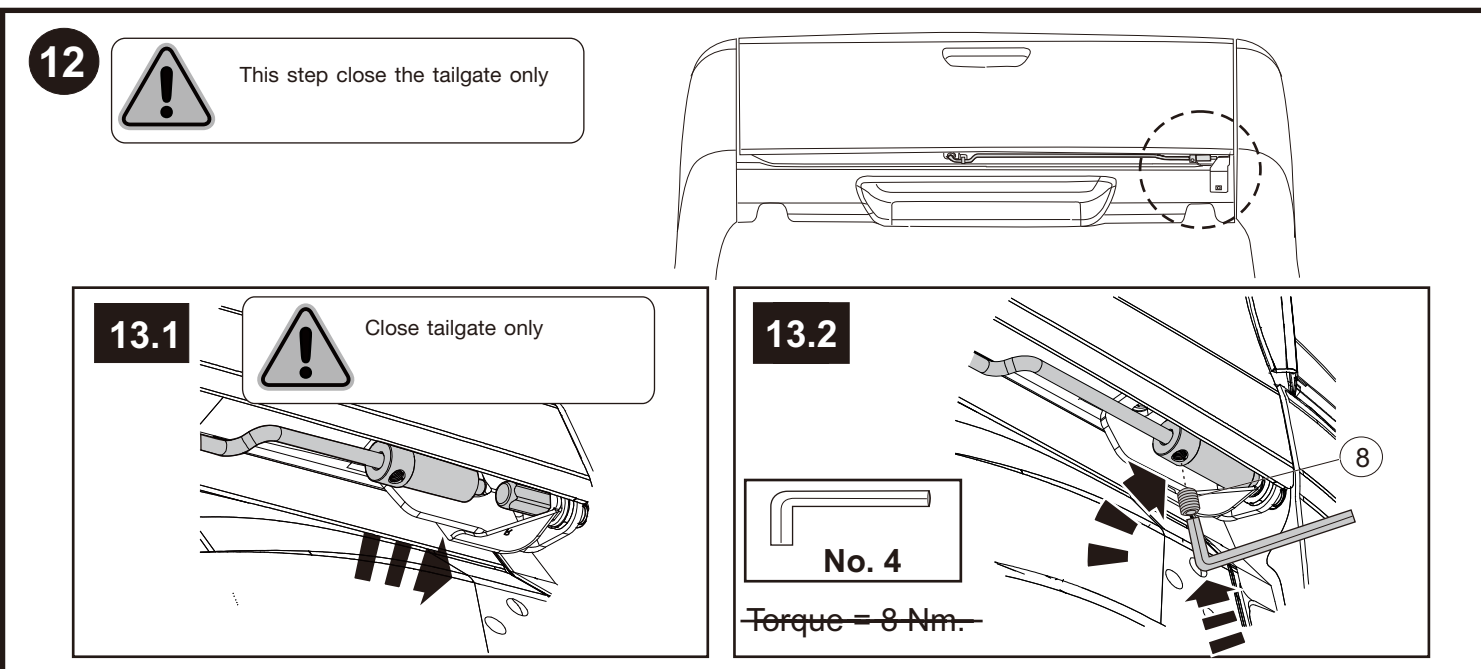
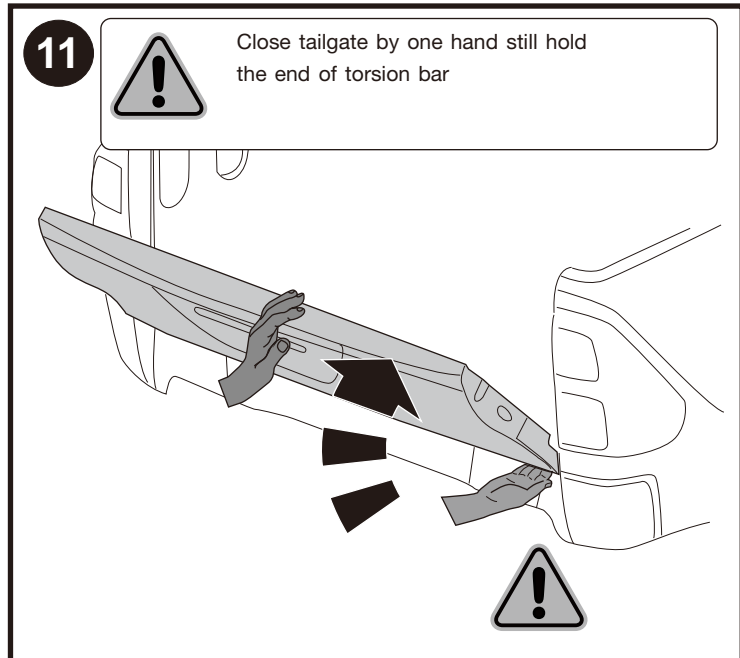
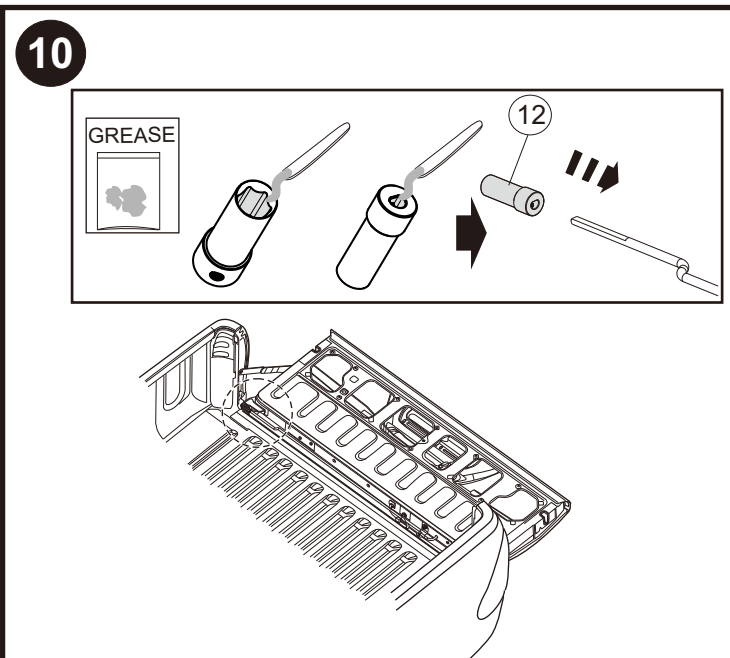
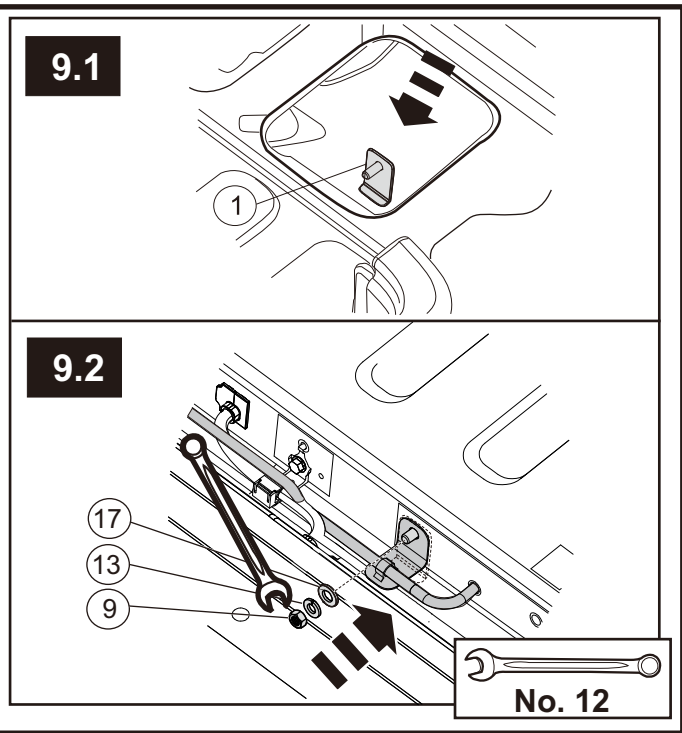
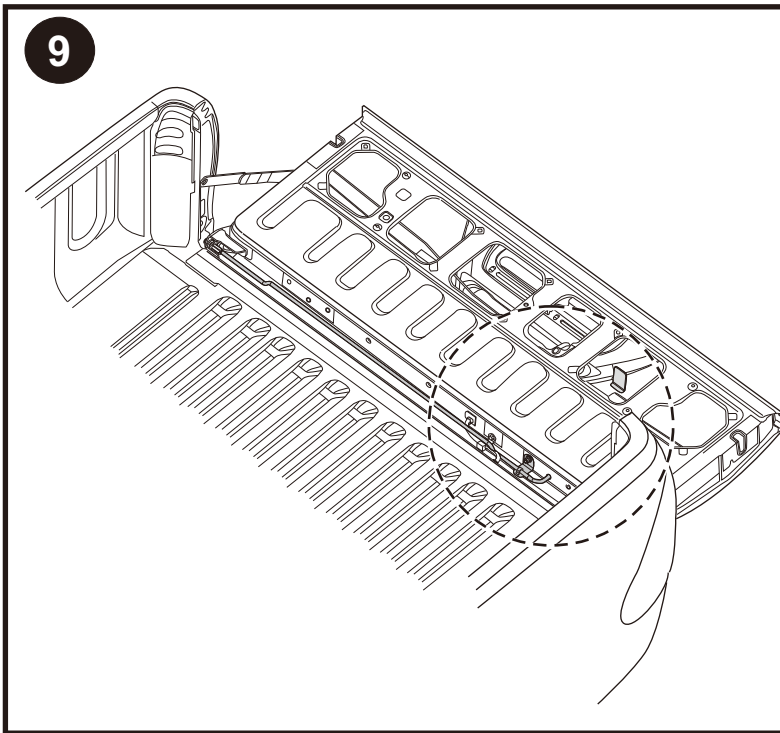
Bolt Head หัว bolt

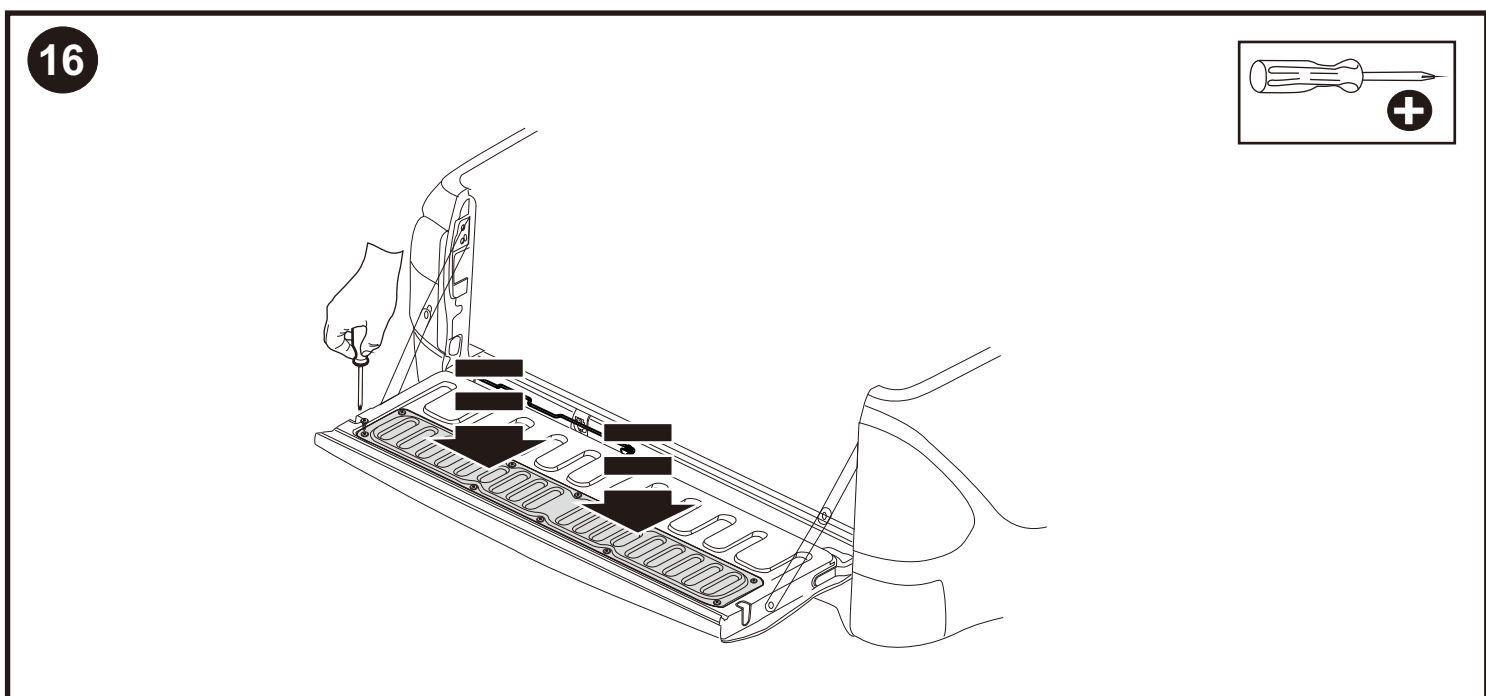
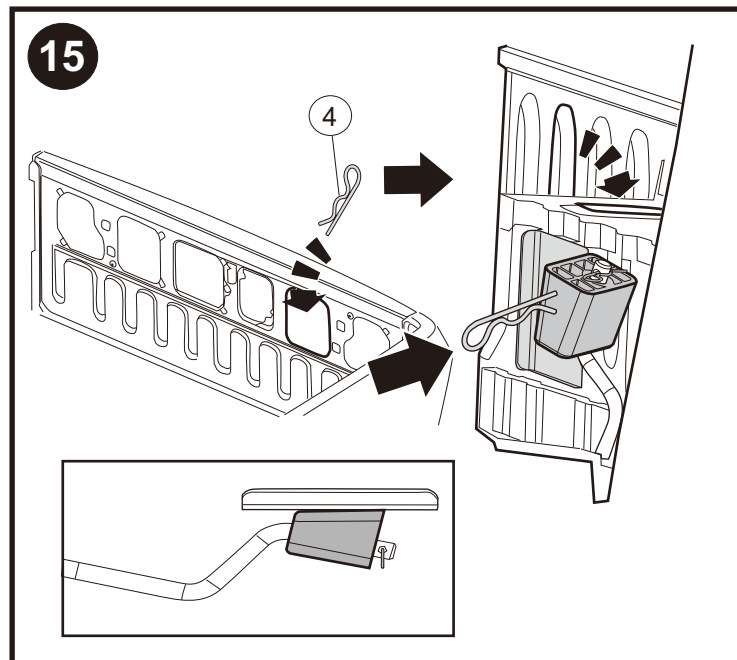
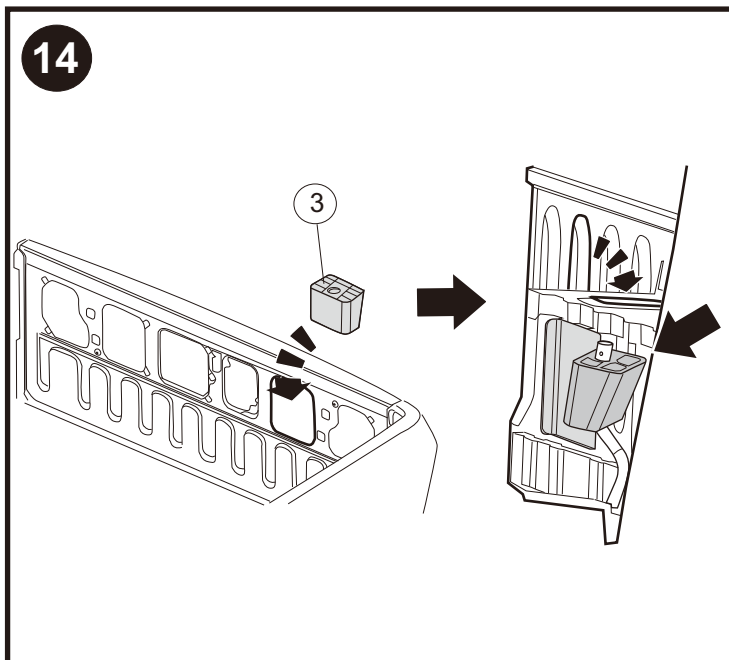
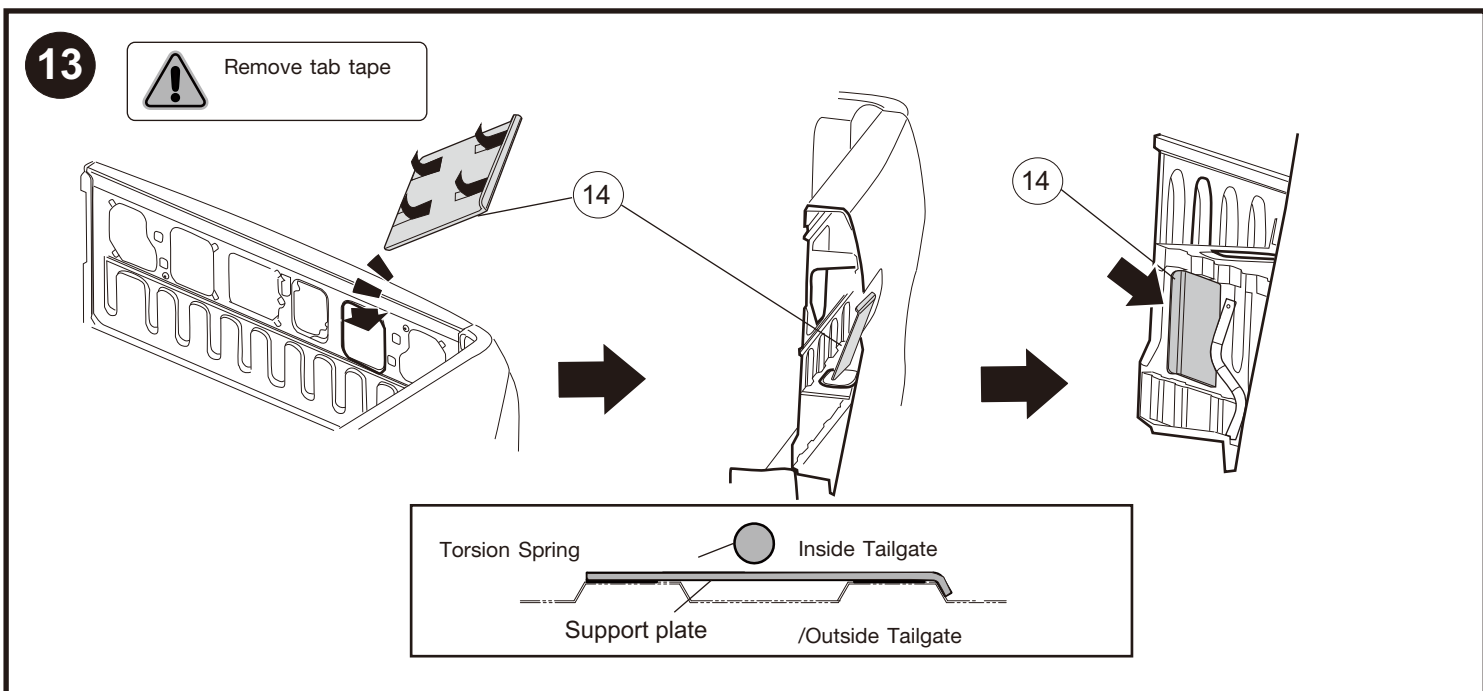
พื้น Floor

Adjust Extension bolt parallel floor

5





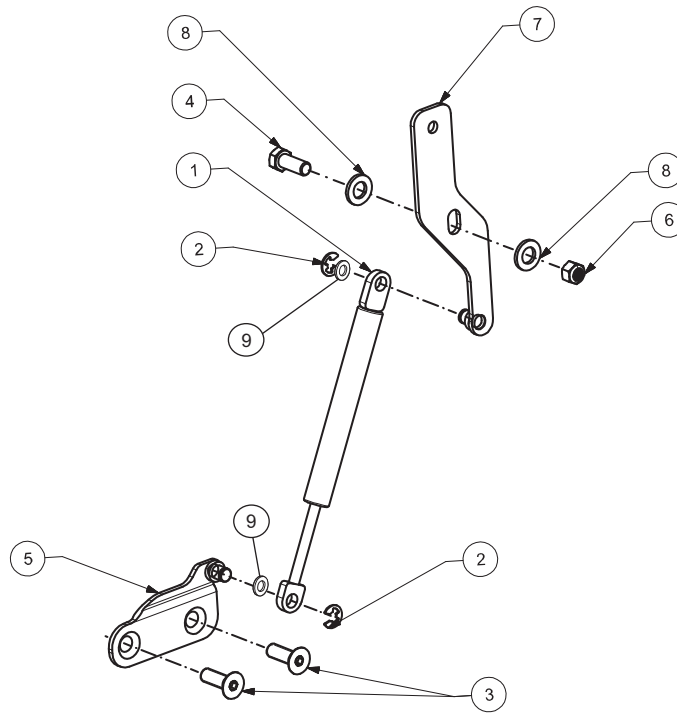


INSTALLATION INSTRUCTION

AEROKLAS DAMPER FOR TOYOTA REVO 15



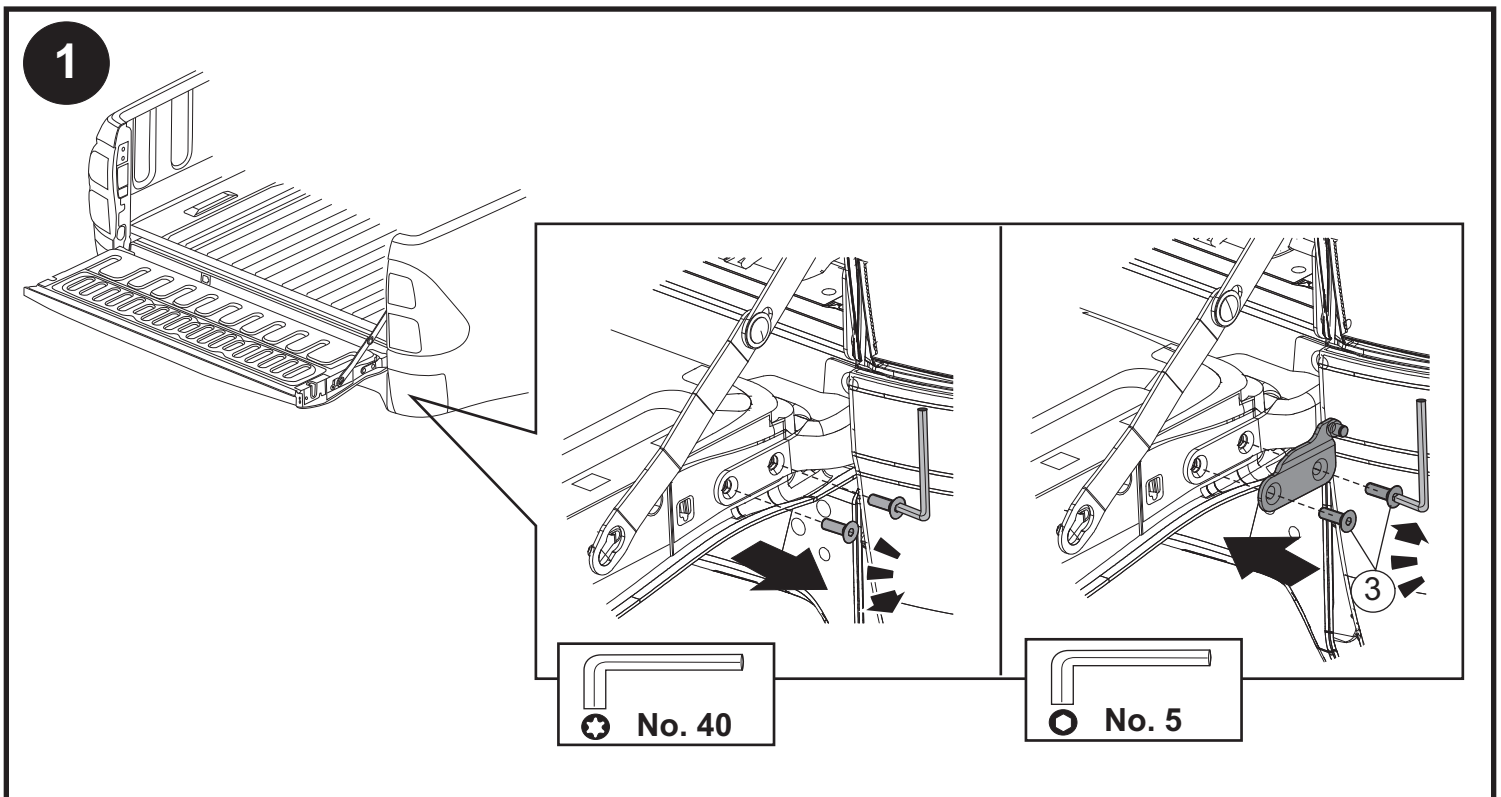
ULLSTEIN
CONCEPTS
GMBH



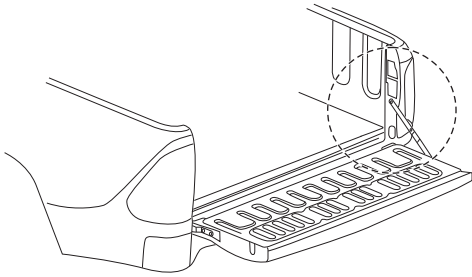
No.	Part name	Part No.	Q'ty
1.	DAMPER	-	1
2.	EXTENNAL RETAINING RING	-	2
3.	FLAT HEAD SOCKET SCREW M8X1.25XL25	-	2
4.	HEX BOLT M8X1.25	-	1
5.	LOWER SUPPORT FOR DAMPER TOYOTA	-	1
6.	NYLON LOCK NUT M8X1.25	-	1
7.	UPPER SUPPORT FOR DAMPER TOYOTA	-	1
8.	WASHER M8	-	2
9.	NYLON WASHER M8 (OD16x1.0 mm.)	-	2

Installation Tools

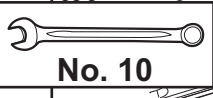
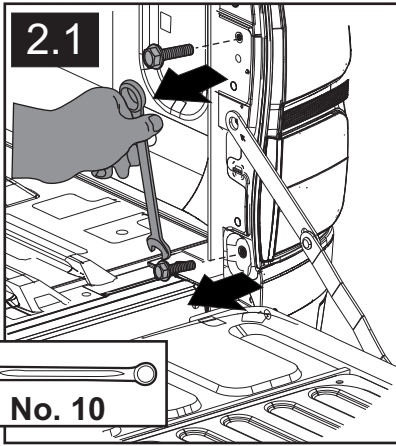
1. Open-Ended Wrench No.10,12,13
2. Wrench (Torx head T40)
3. L Wrench No.5



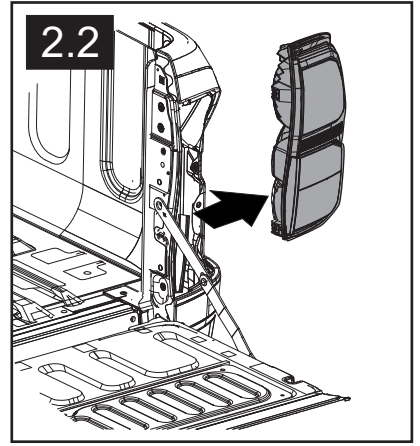
2



2.1

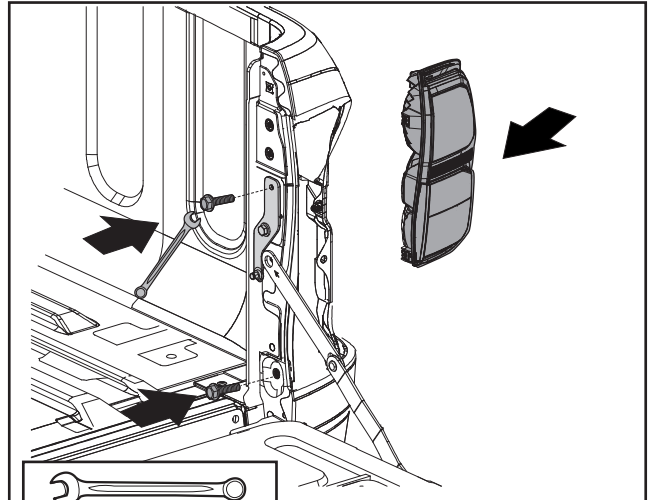
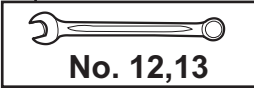
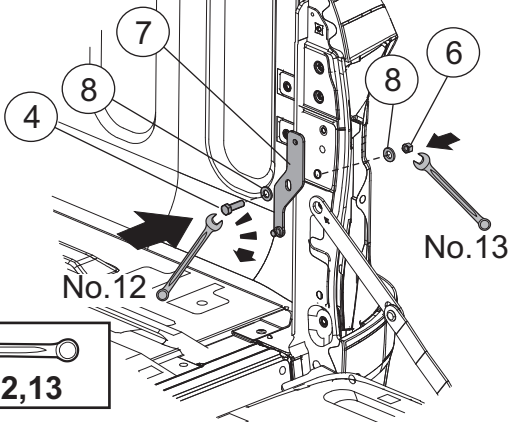


2.2



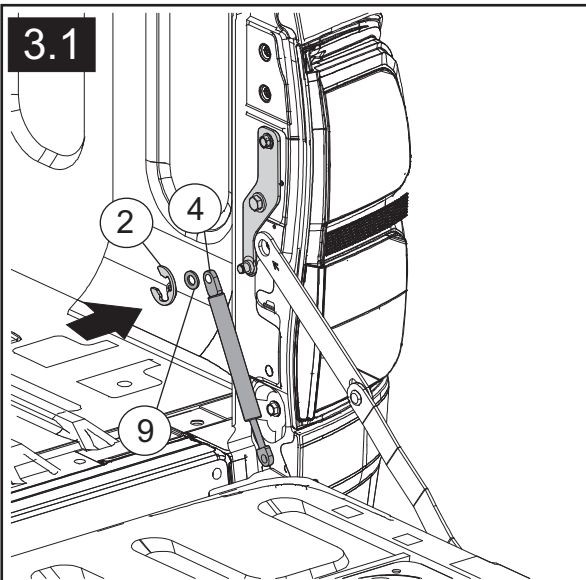
2.4

2.3



3

3.1



3.2

