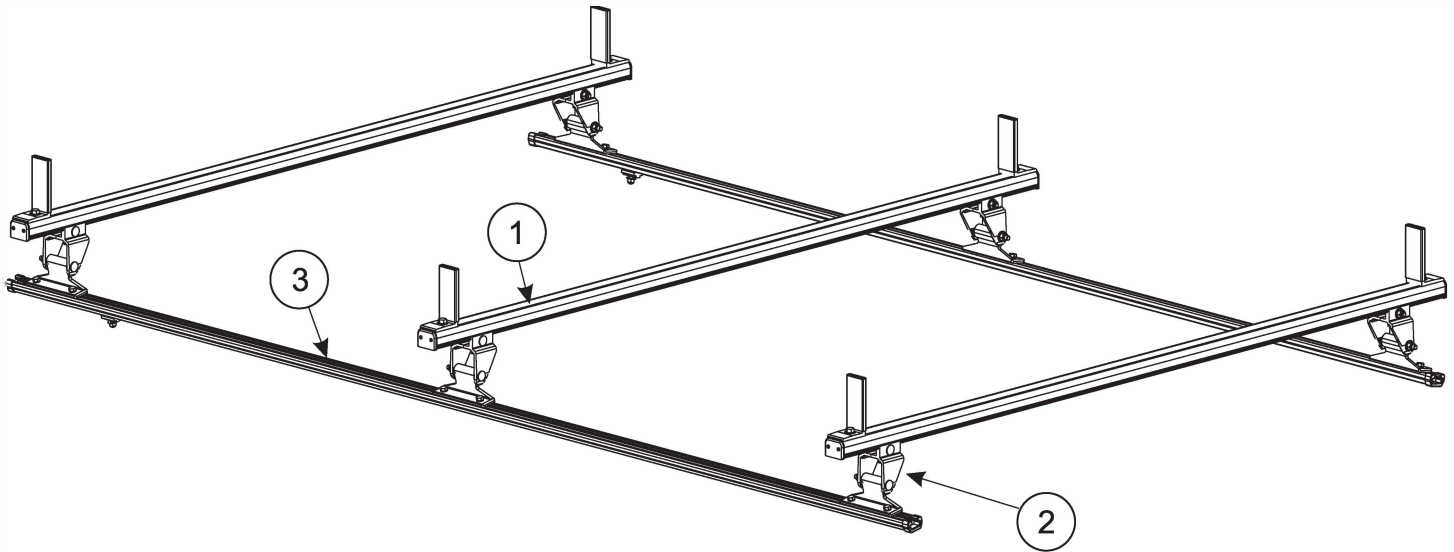


AluBars ASSEMBLY INSTRUCTIONS

AluBars Fully Assembled Illustration

Tools required for installation:

- (1) - 11mm Socket
- (1) - 13mm Socket
- (1) - 11mm Wrench
- (1) - 13mm Wrench



Content:


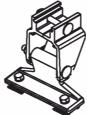
- Page 2 : Packaging List.
- Page 3-4 : Channel Assembly
- Page 5-6 : Mounting Brackets Assembly.
- Page 7 : Installed Rack



PACKAGING LIST

AluBars Model: (See your shipping details)

ITEM QTY DESCRIPTION

<input type="checkbox"/>	1	3	.. Length : 1500 mm	
<input type="checkbox"/>	2	1	.. M52	Set of 6 : 
<input type="checkbox"/>	3	1	.. C21 (Pair)	