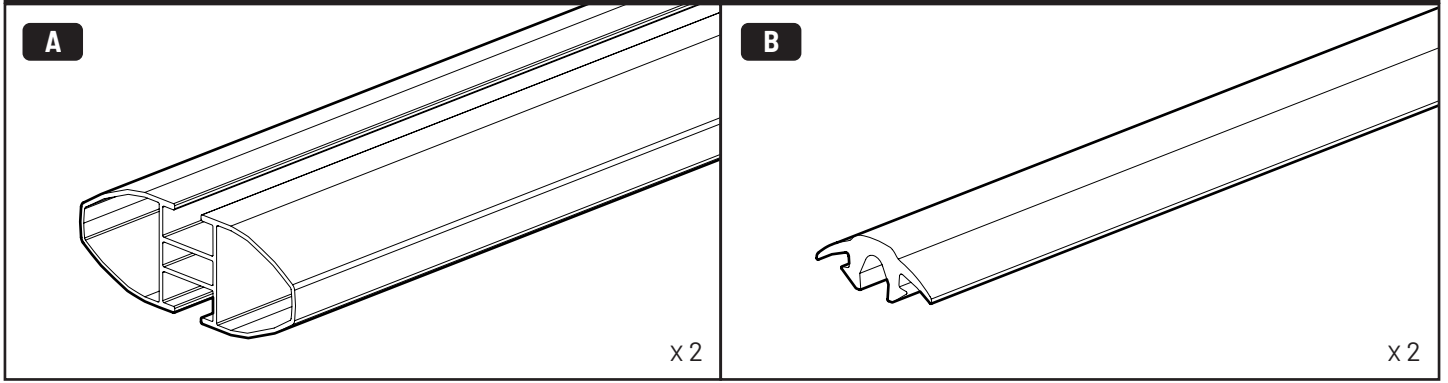


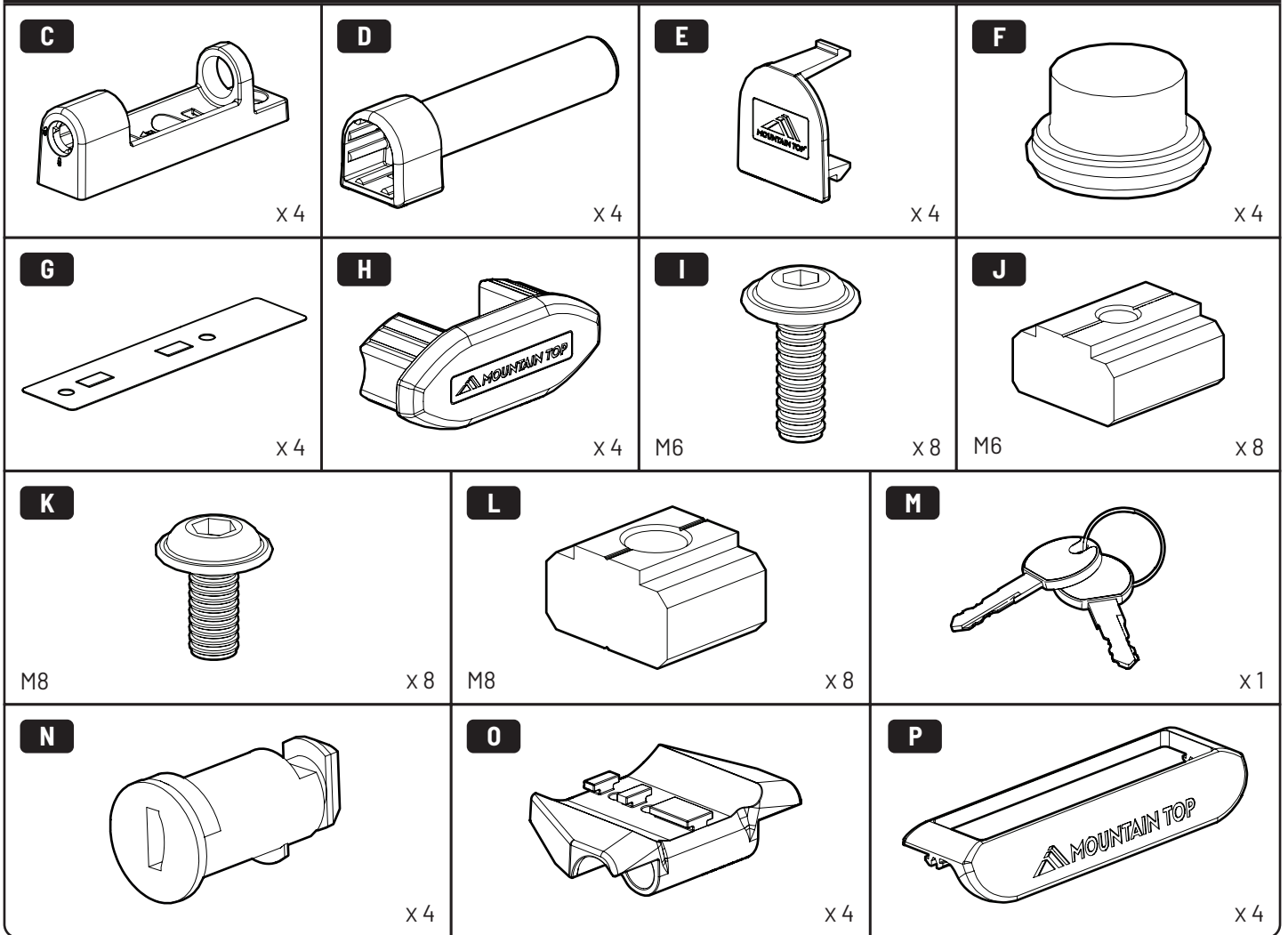
MOUNTAIN TOP® CROSS BAR (CURVED)

Installation manual

Parts



Kit



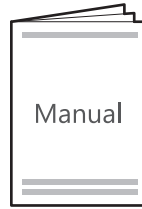
Kit

Q



x1

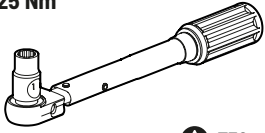
R



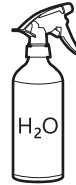
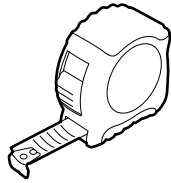
x1

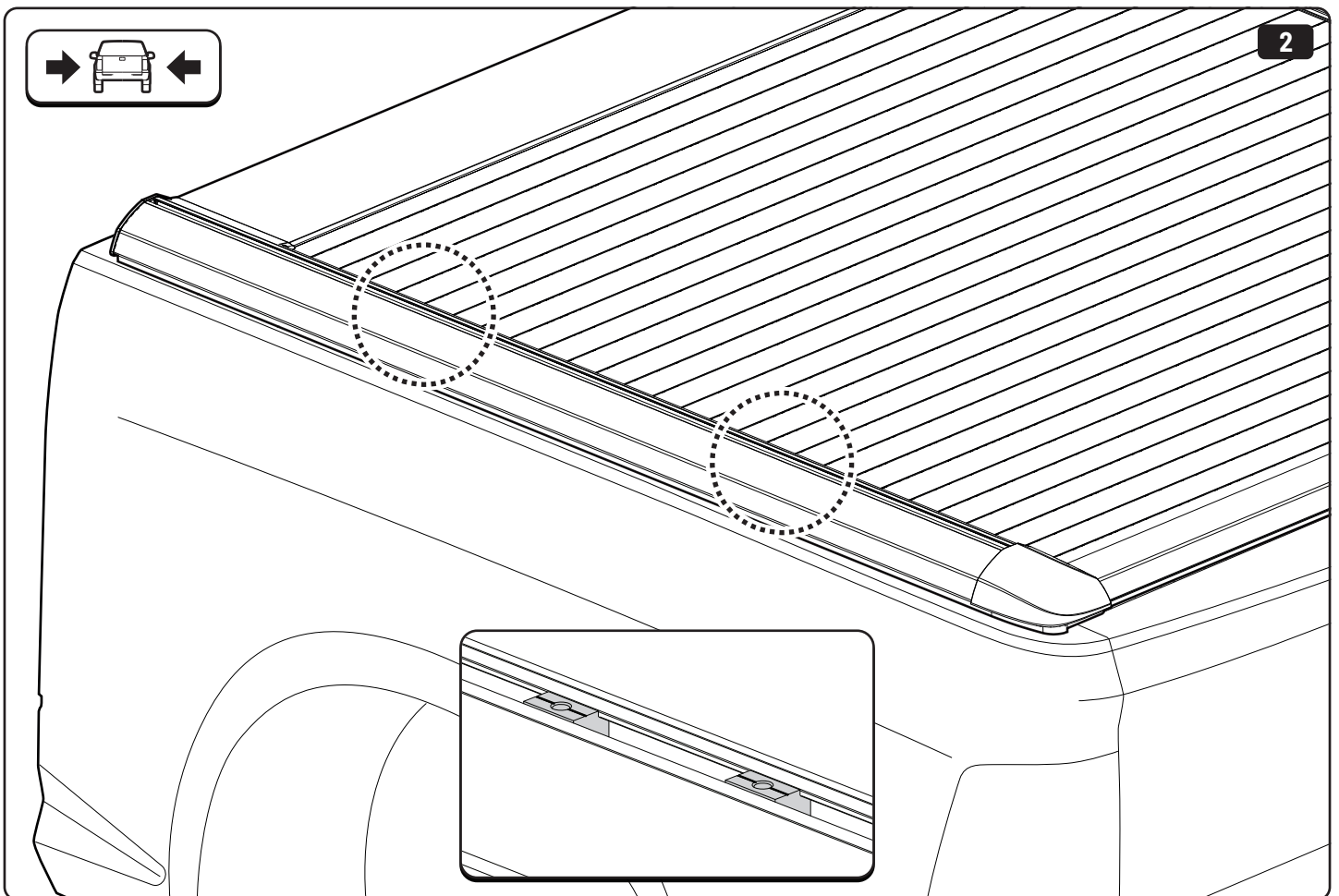
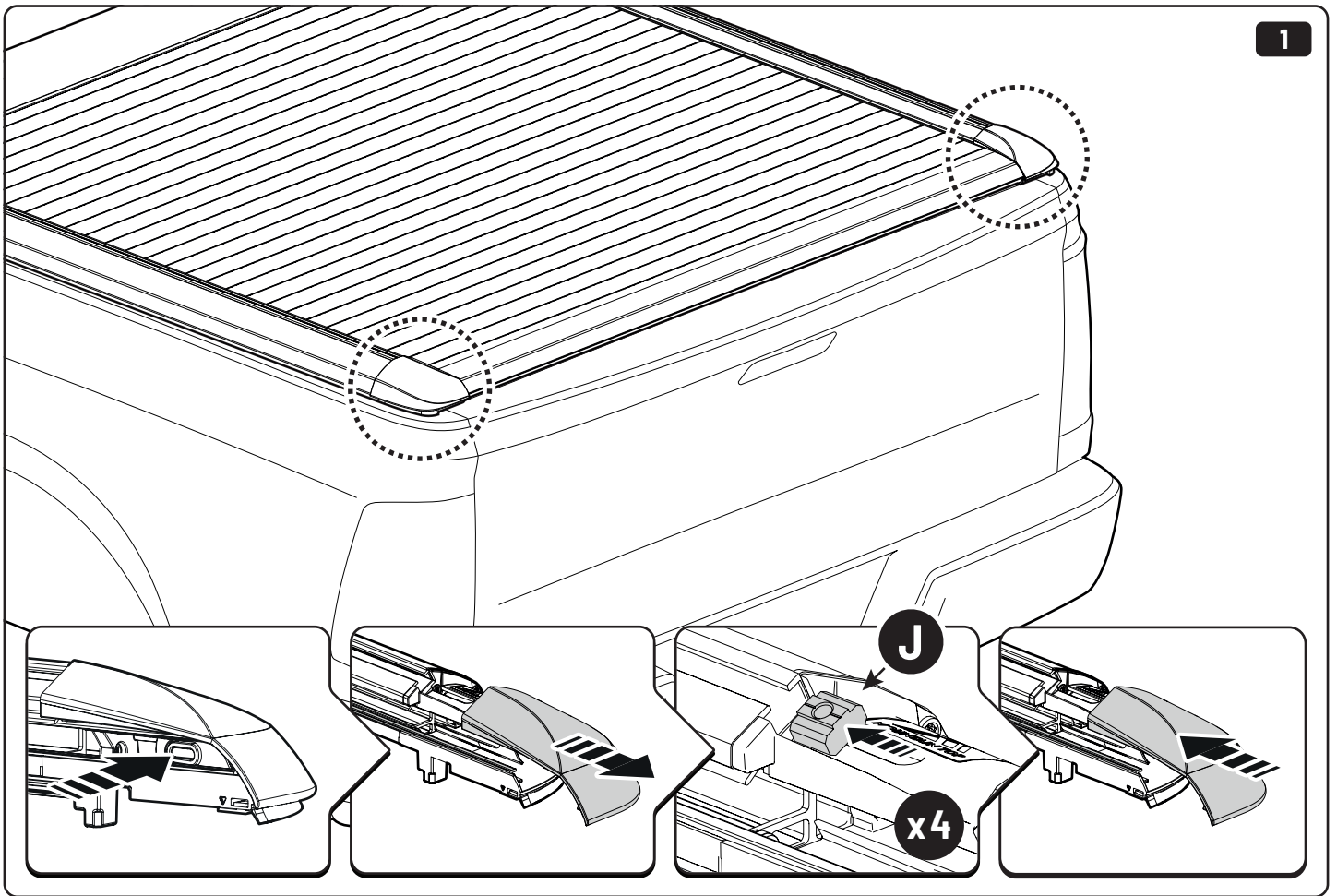
Tools and materials needed

1-25 Nm

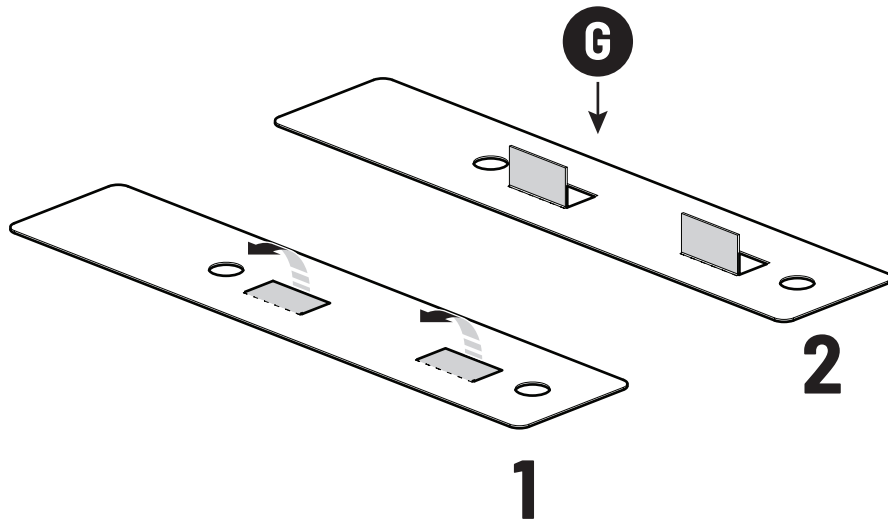


T30 + T40



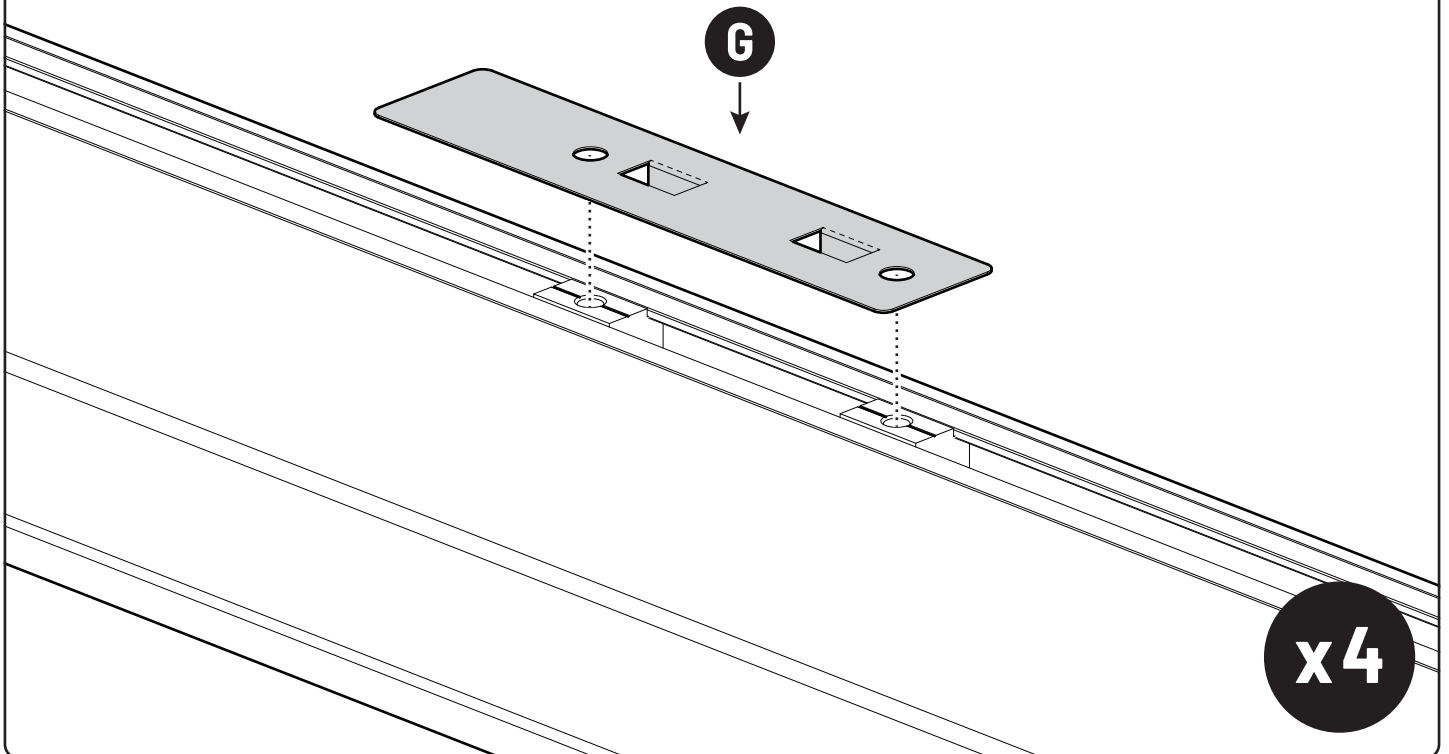


3



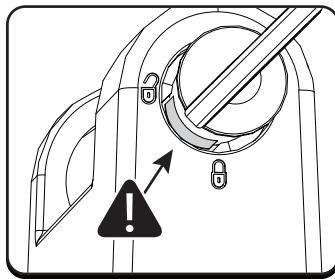
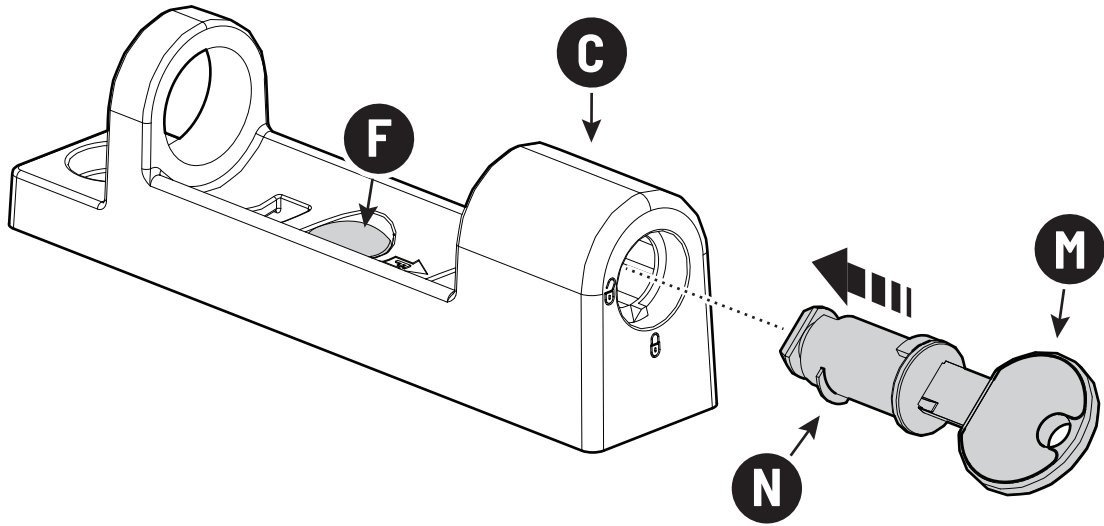
x4

4



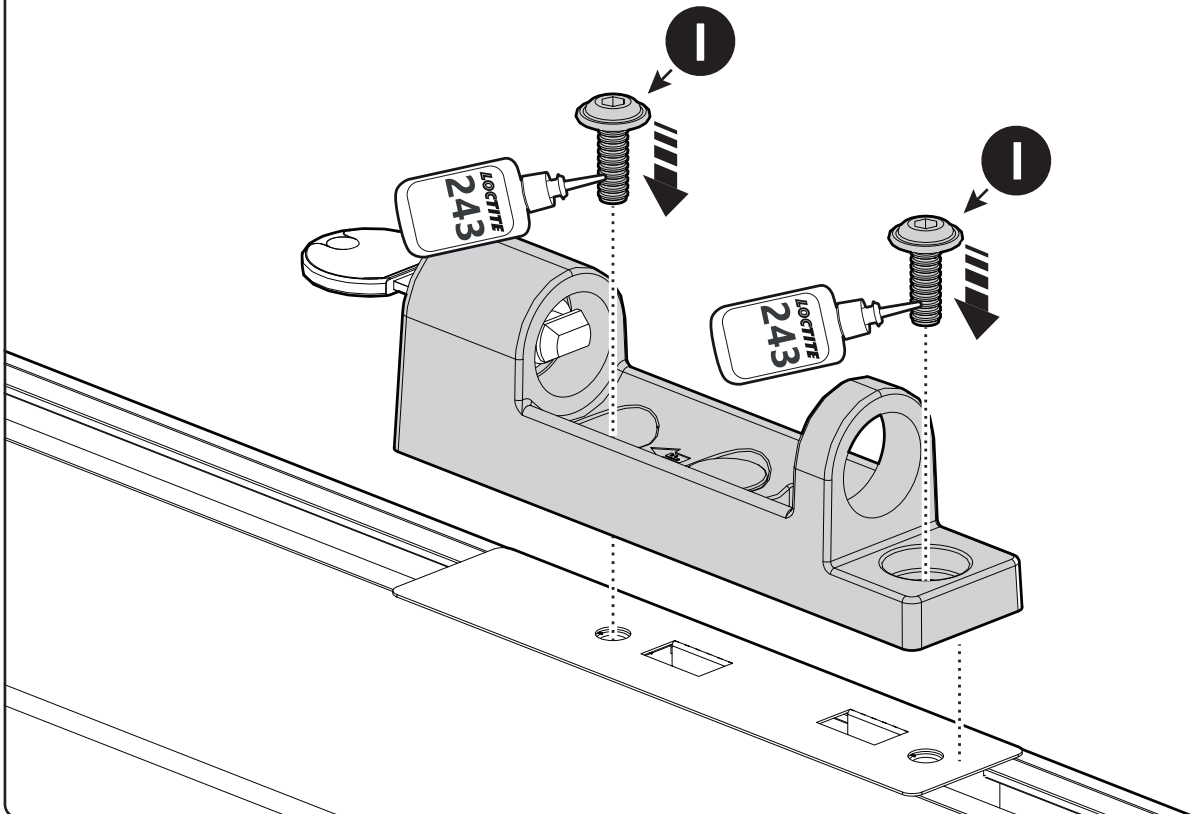
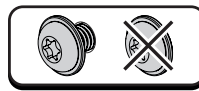
x4

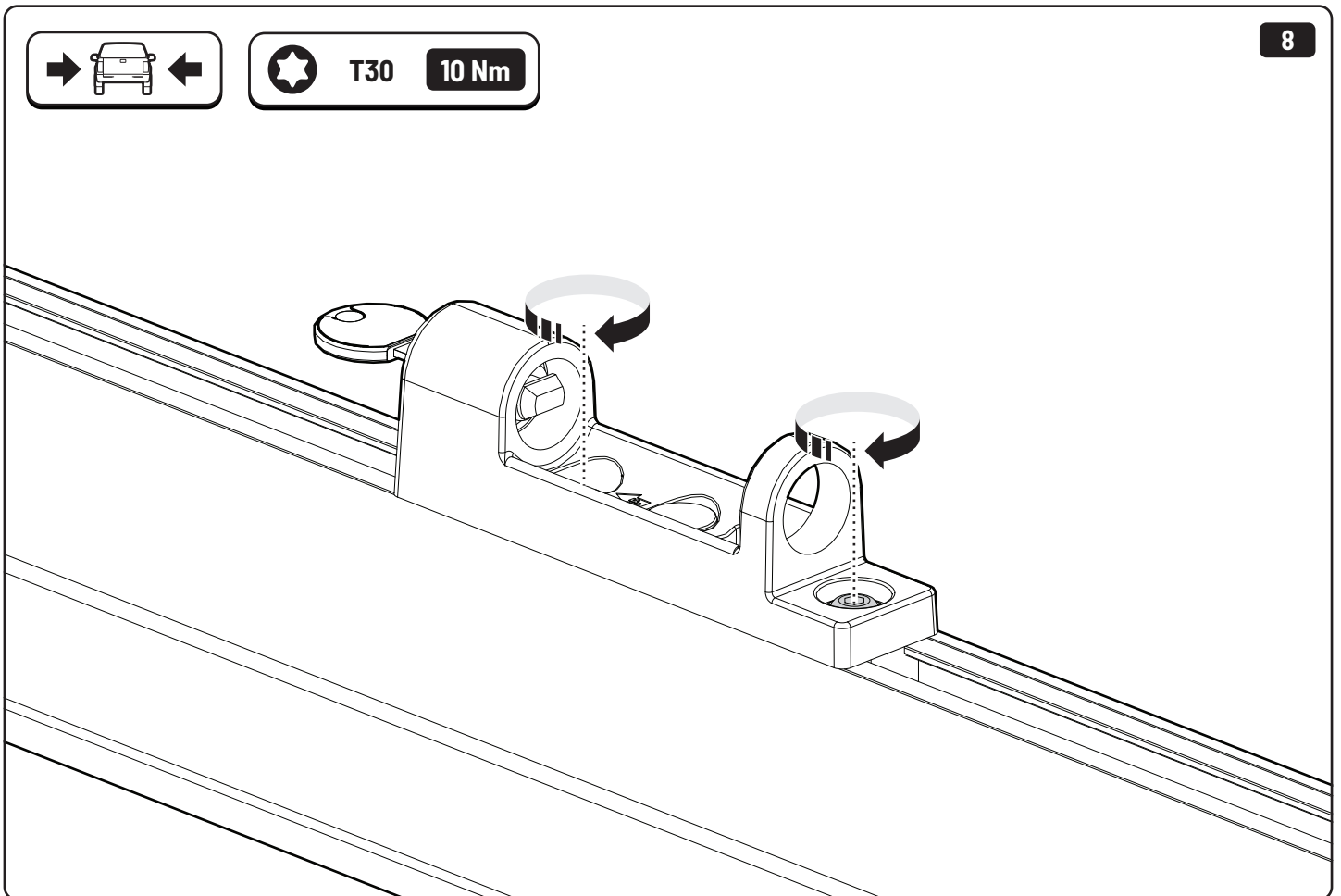
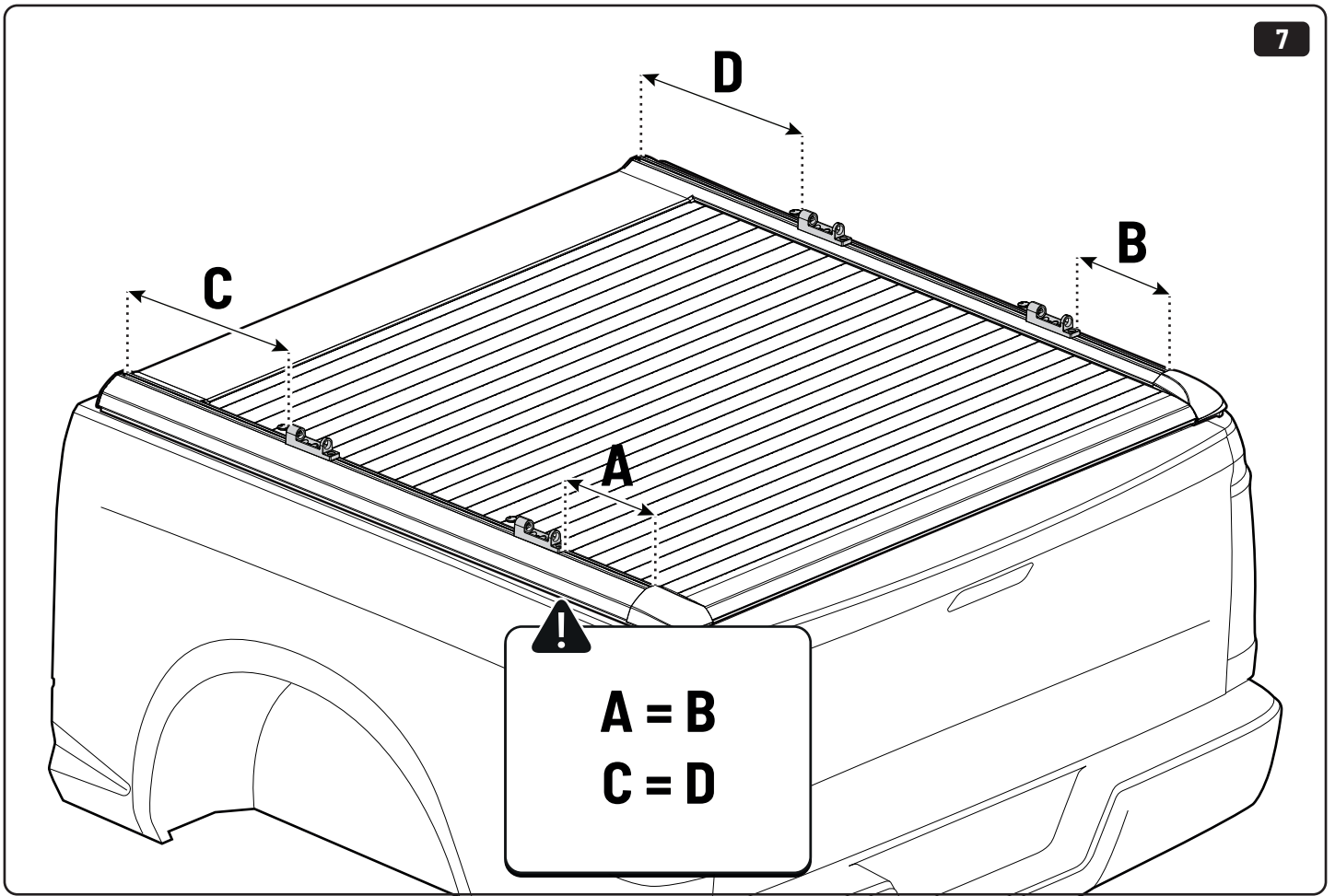
5

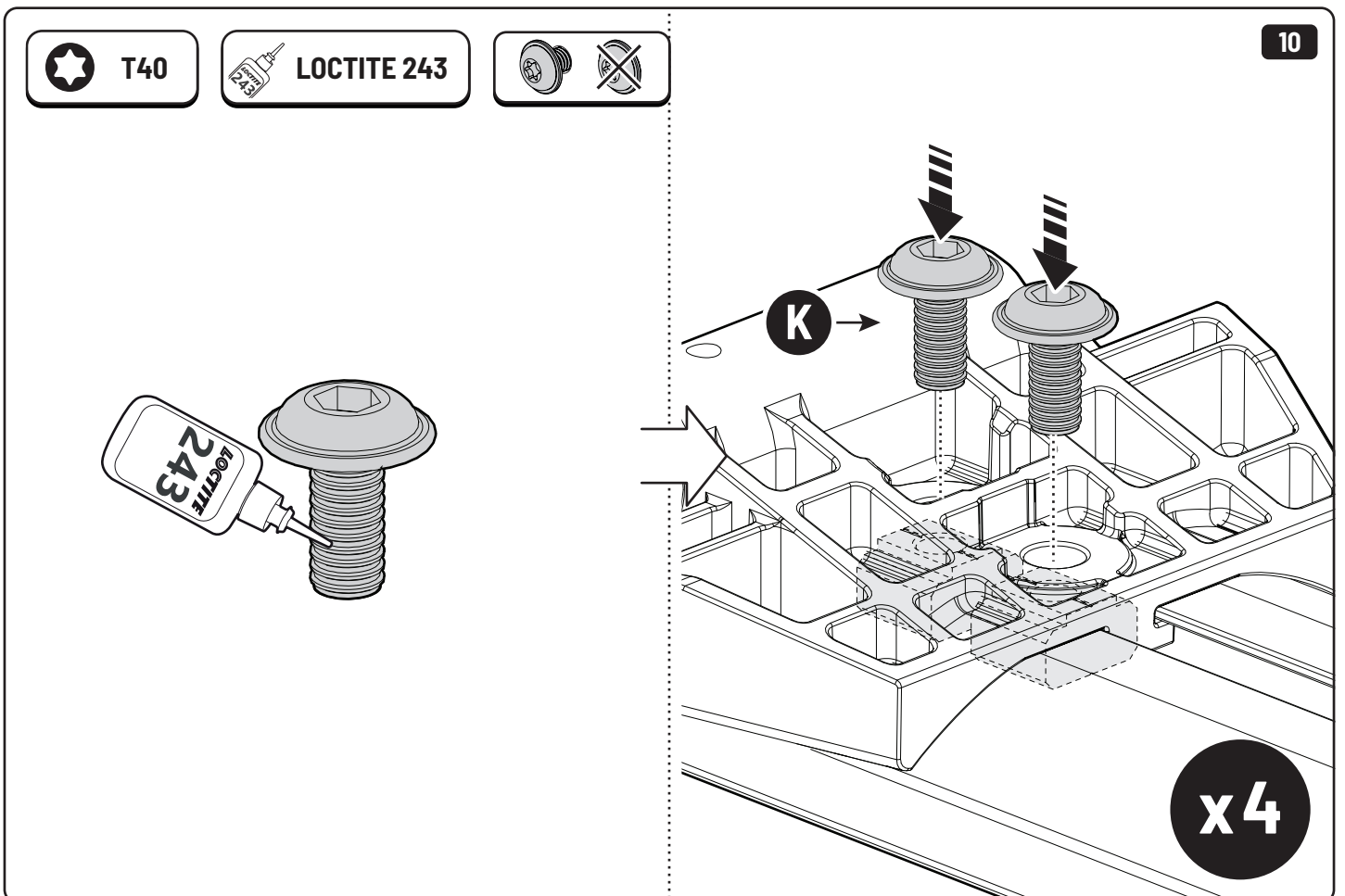
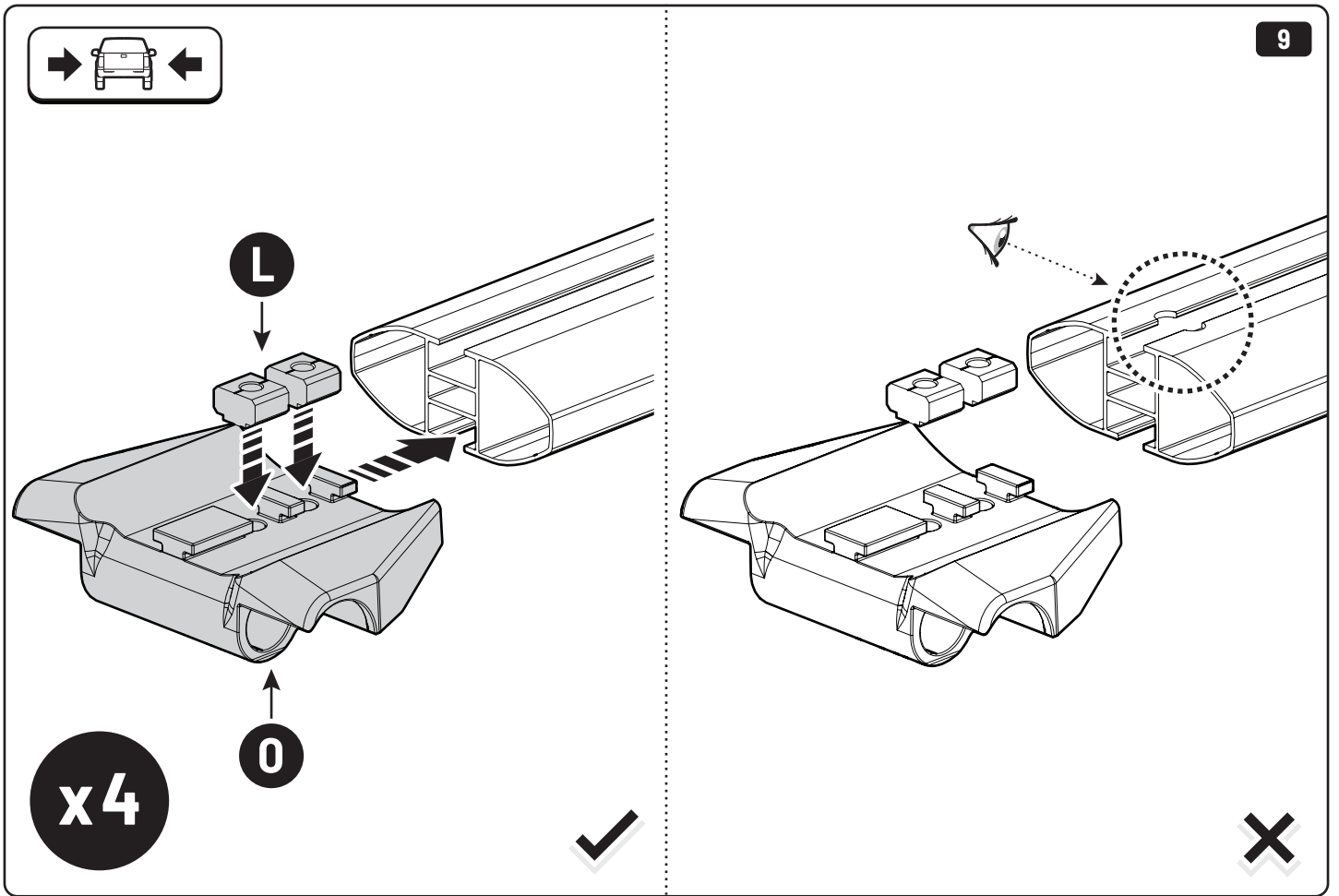


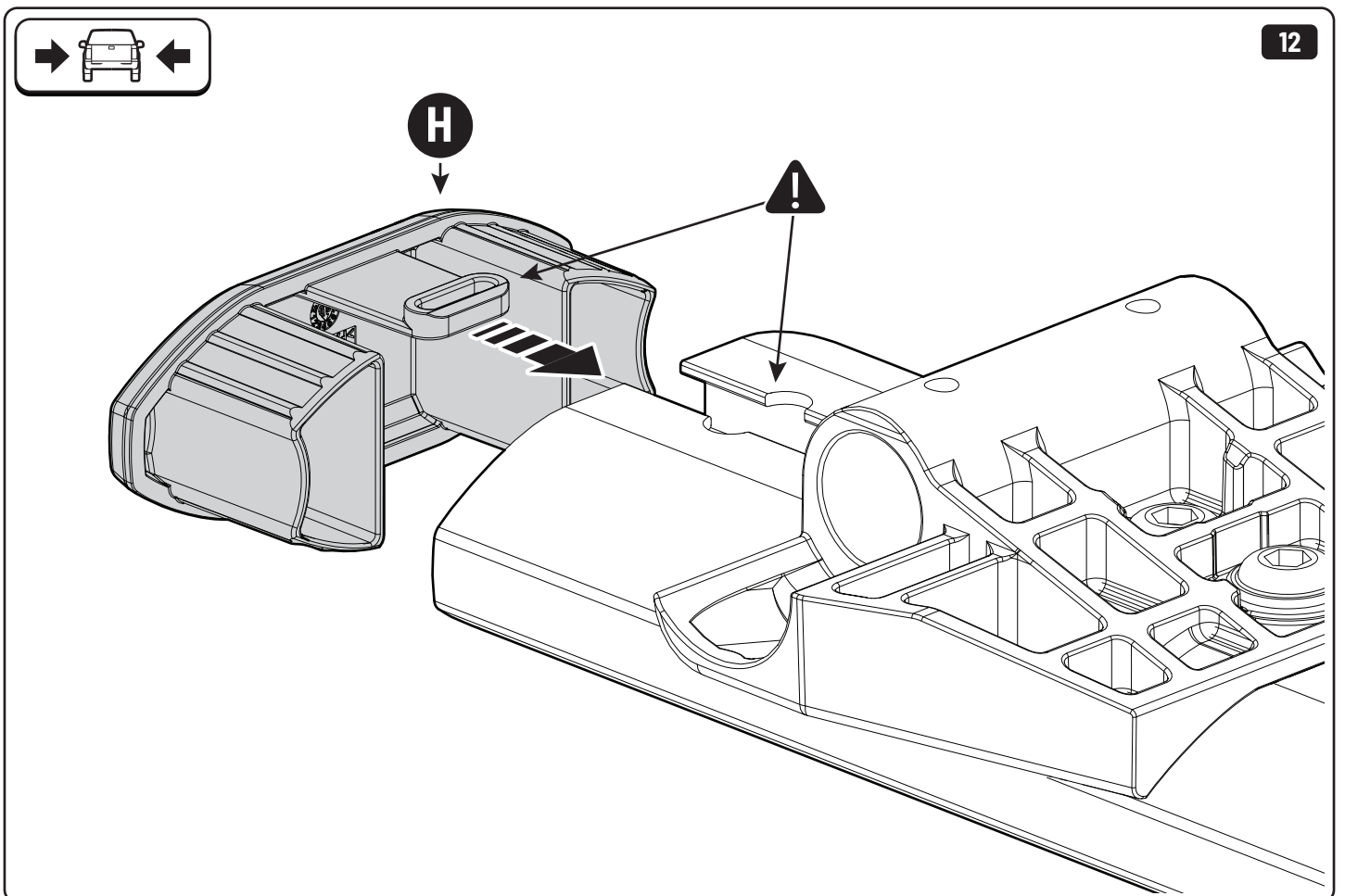
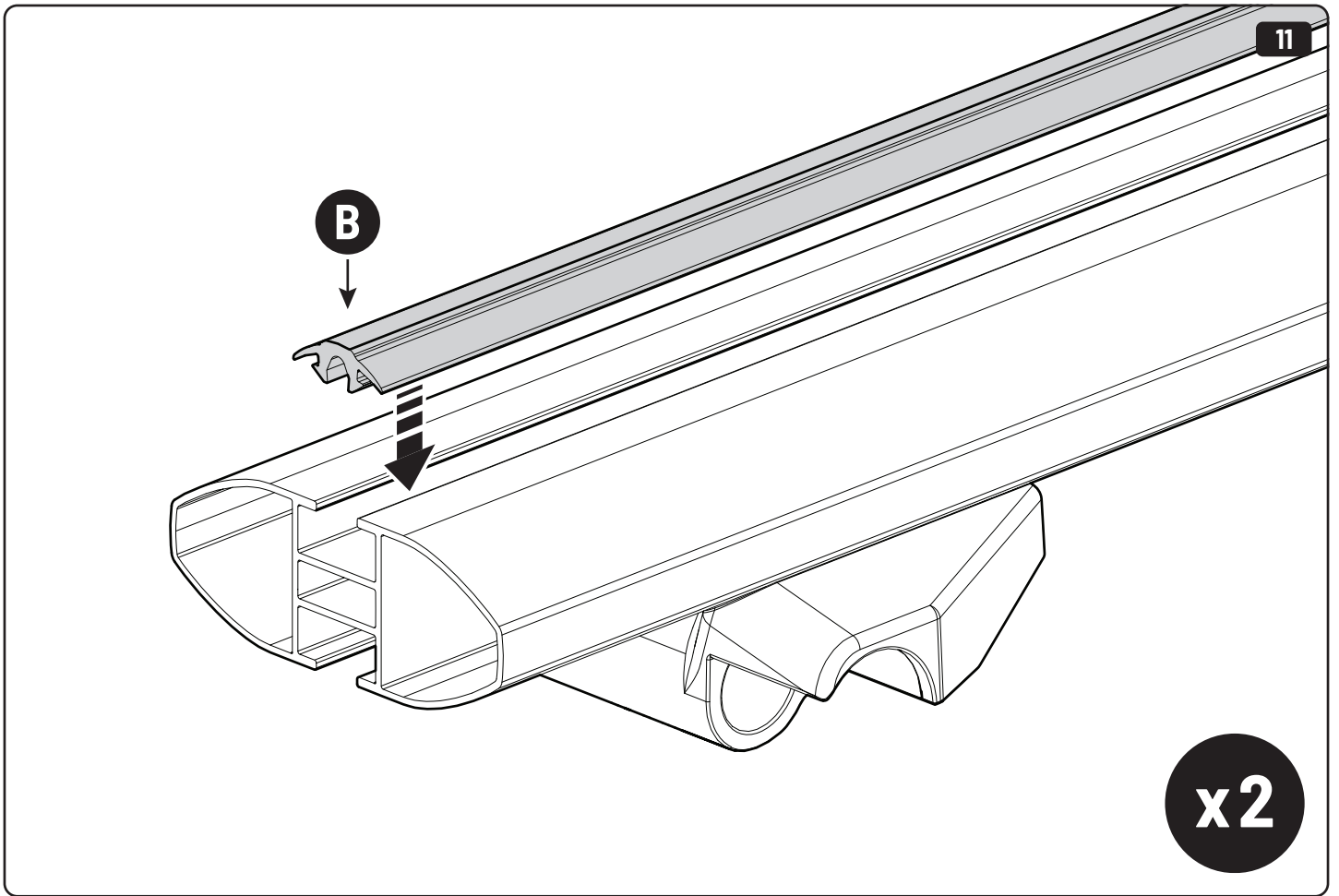
x4

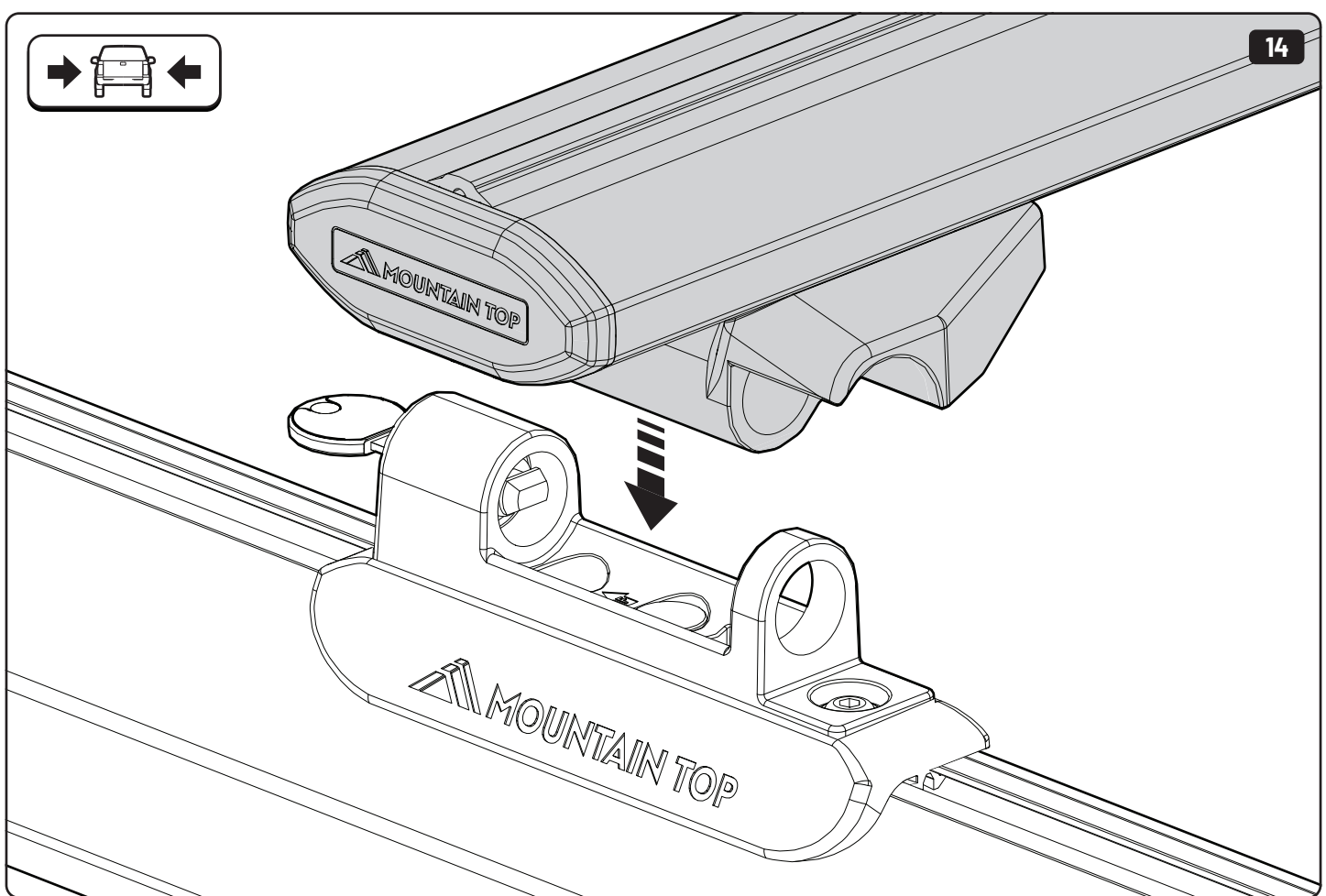
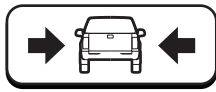
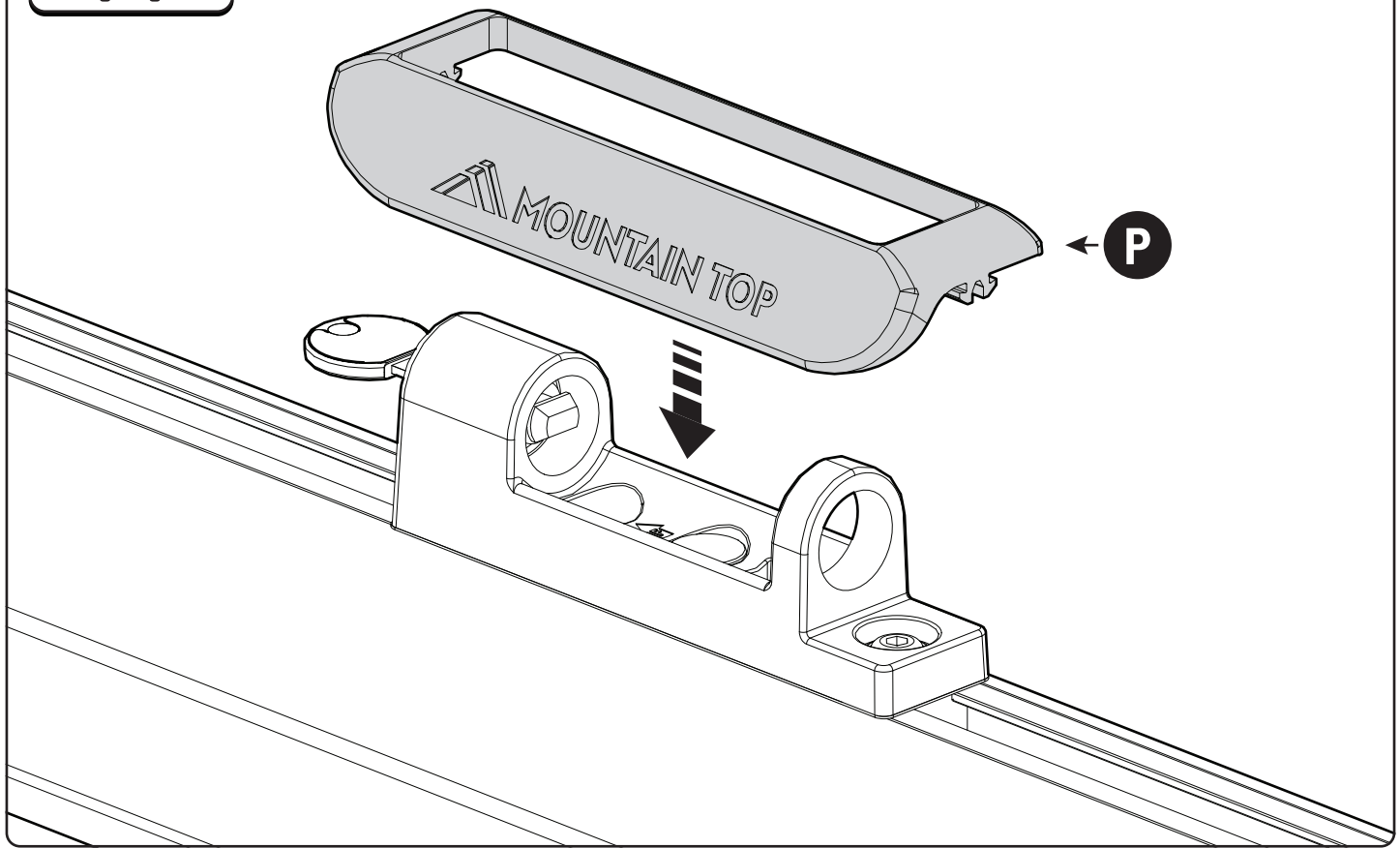
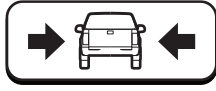
6

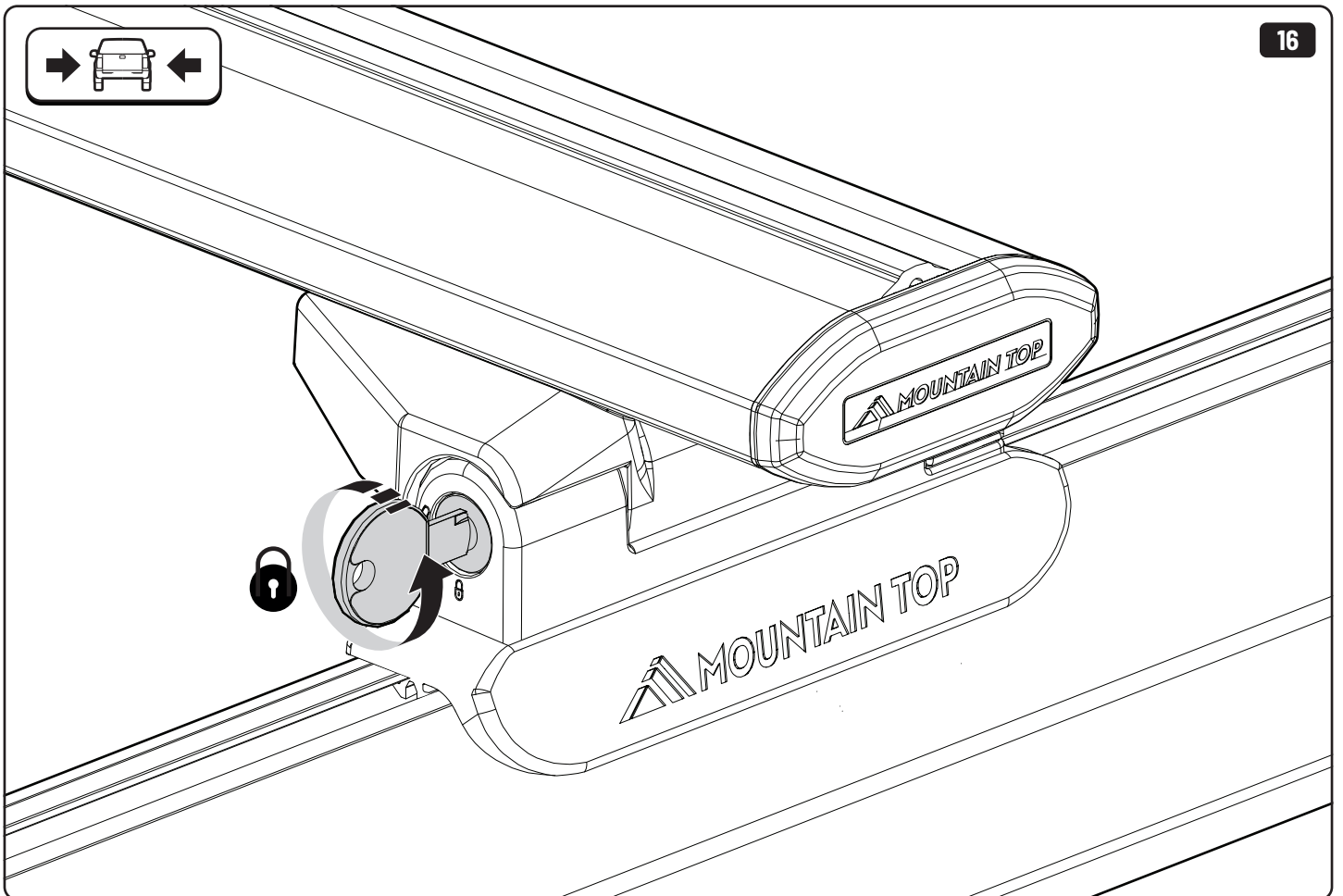
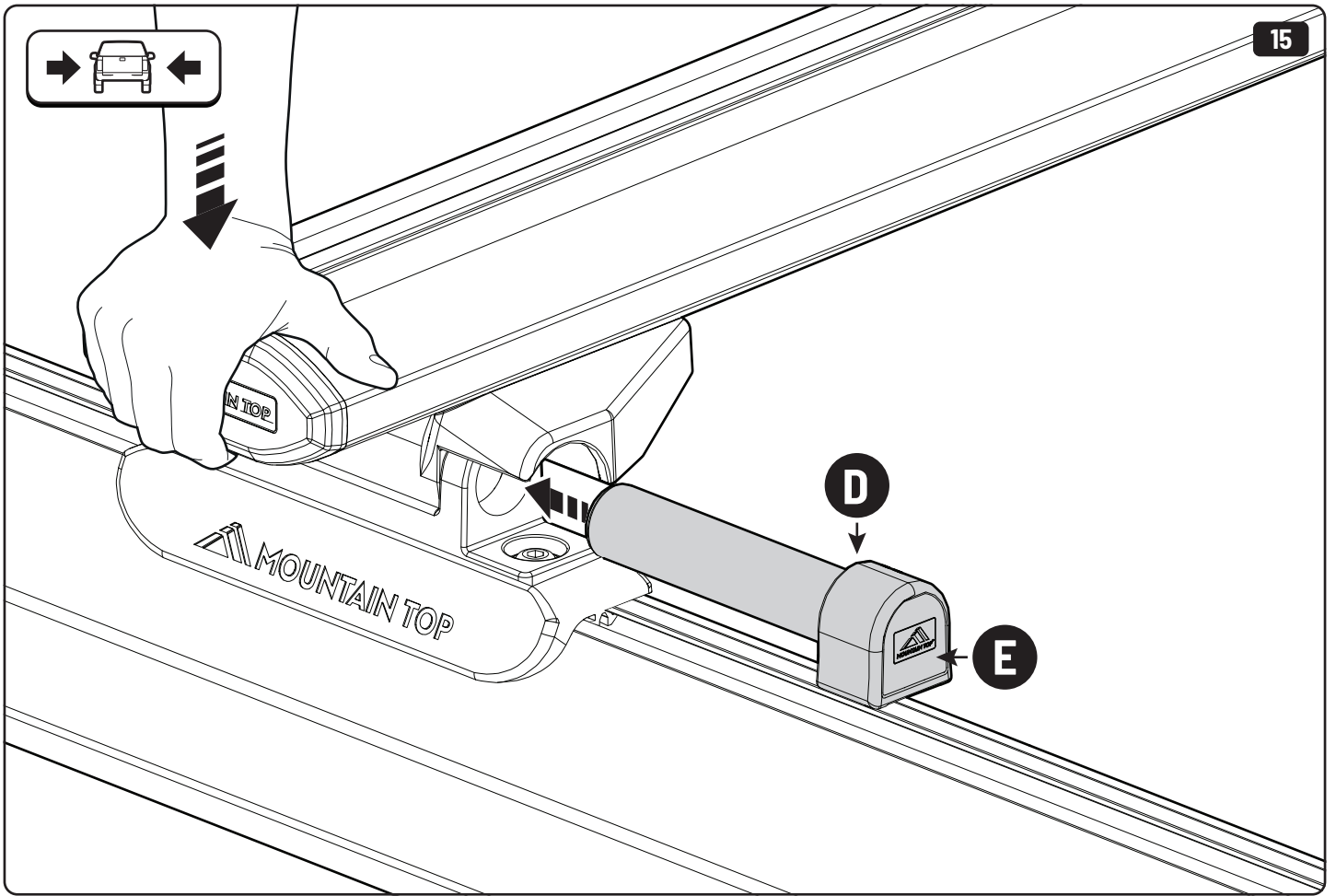


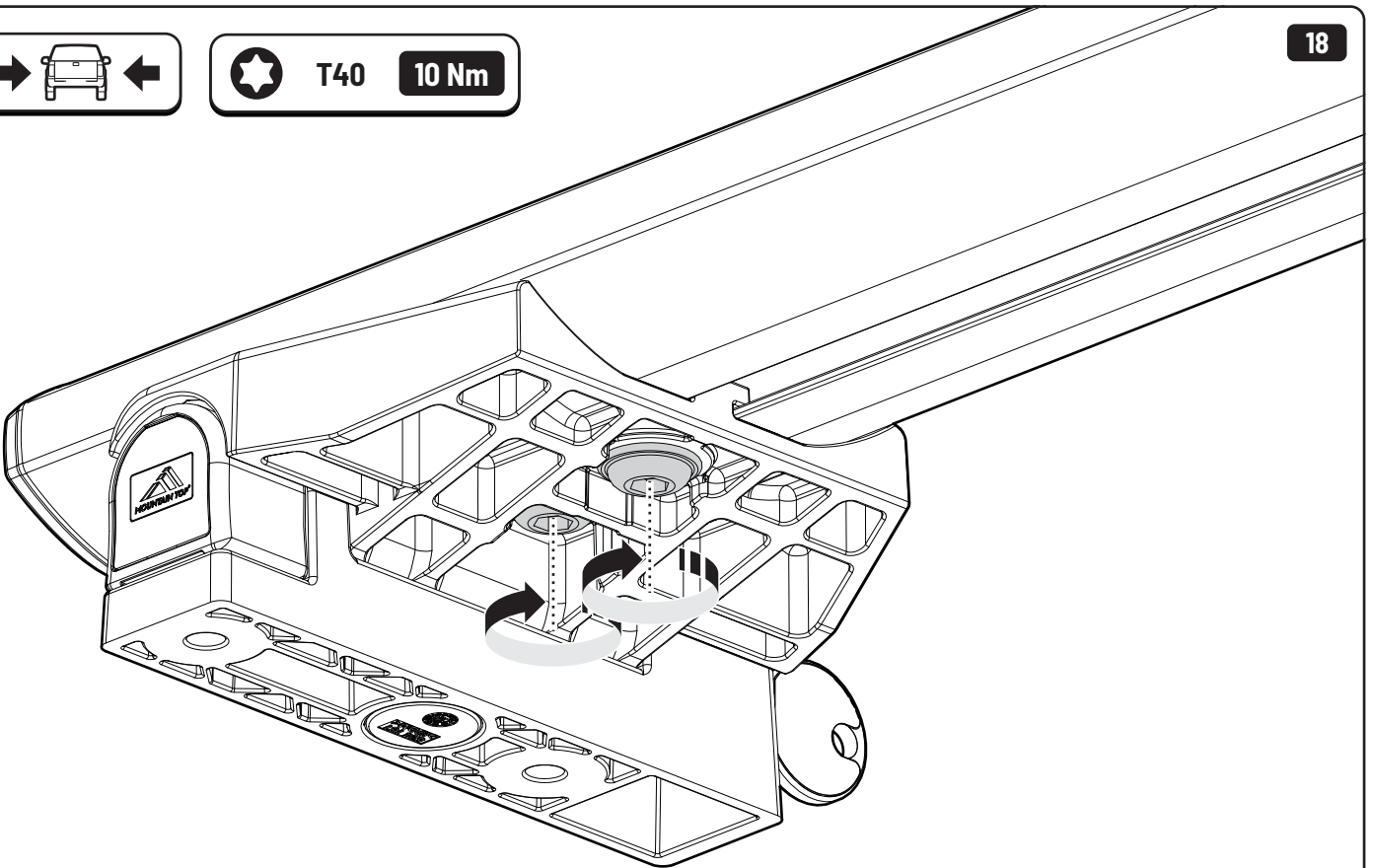
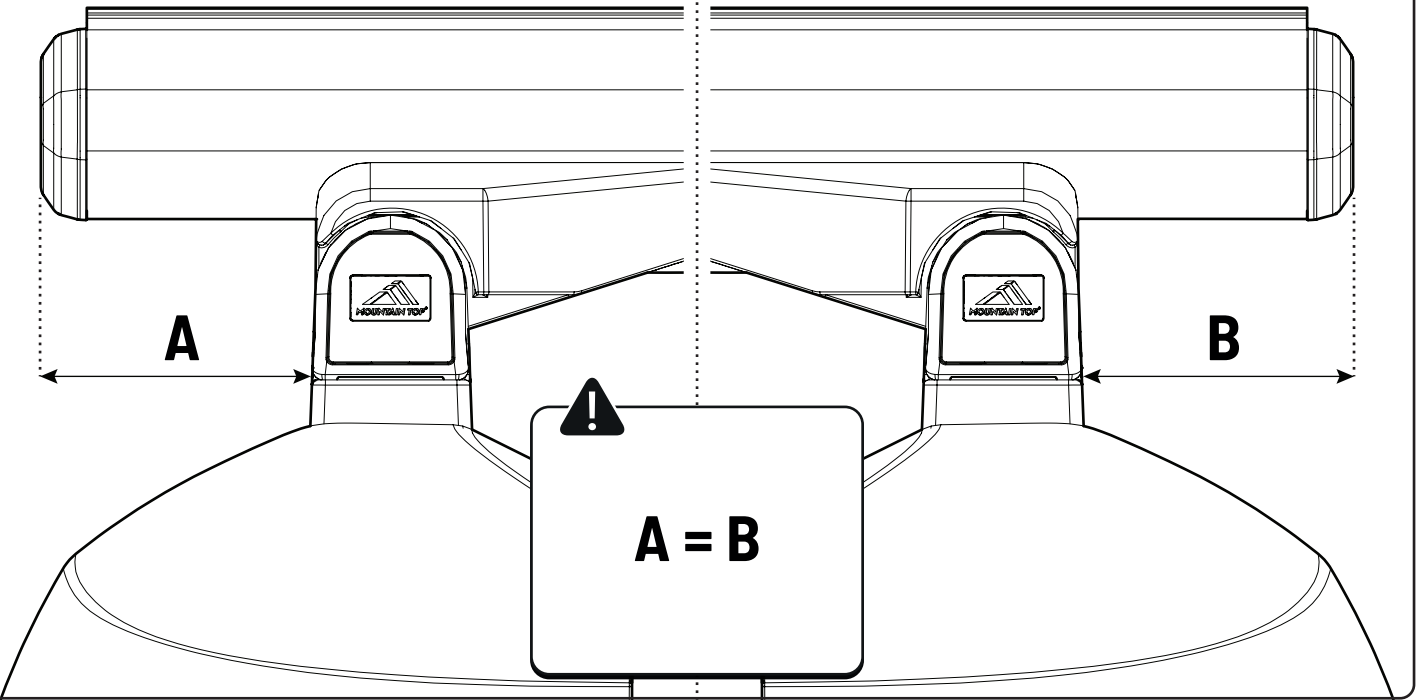


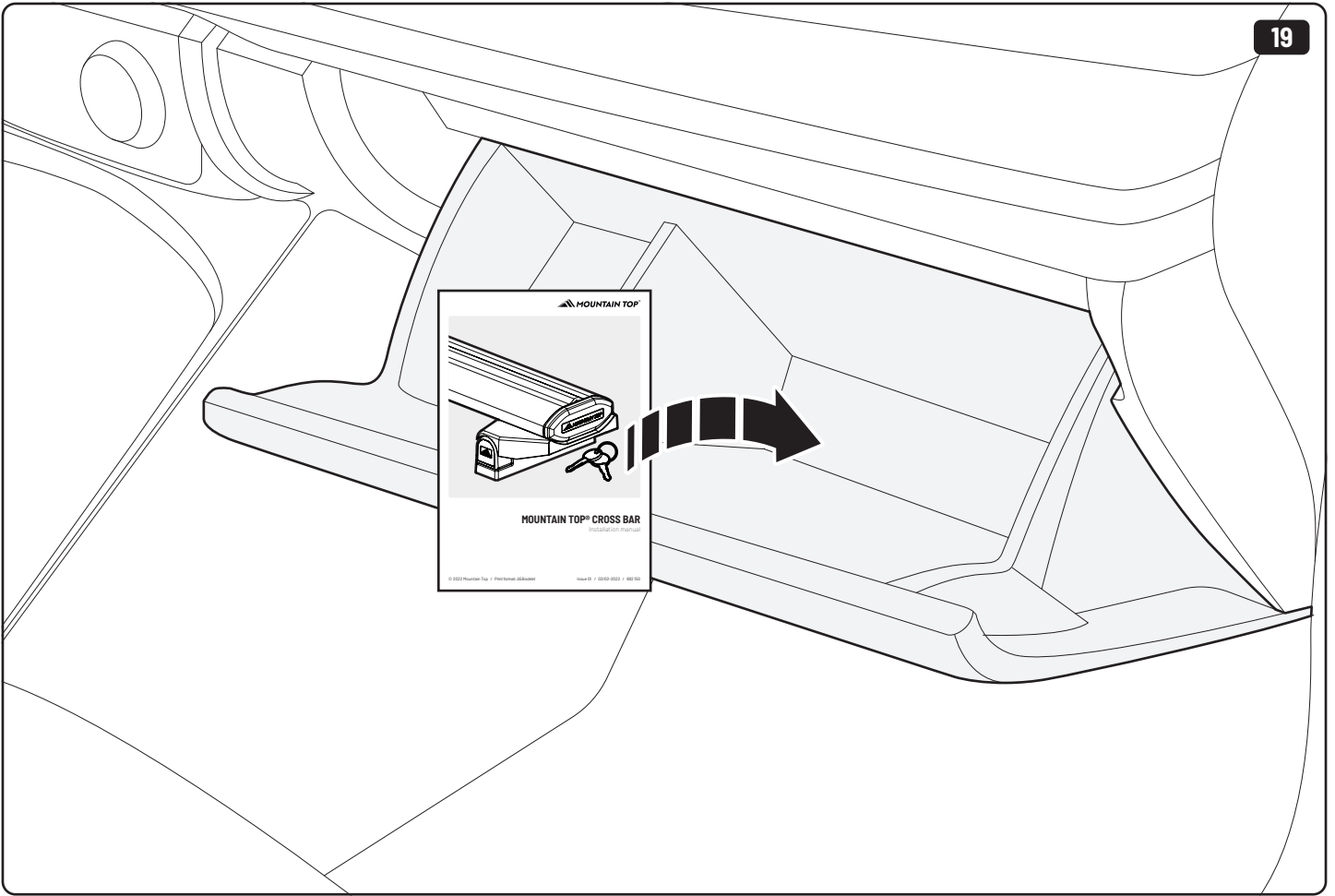




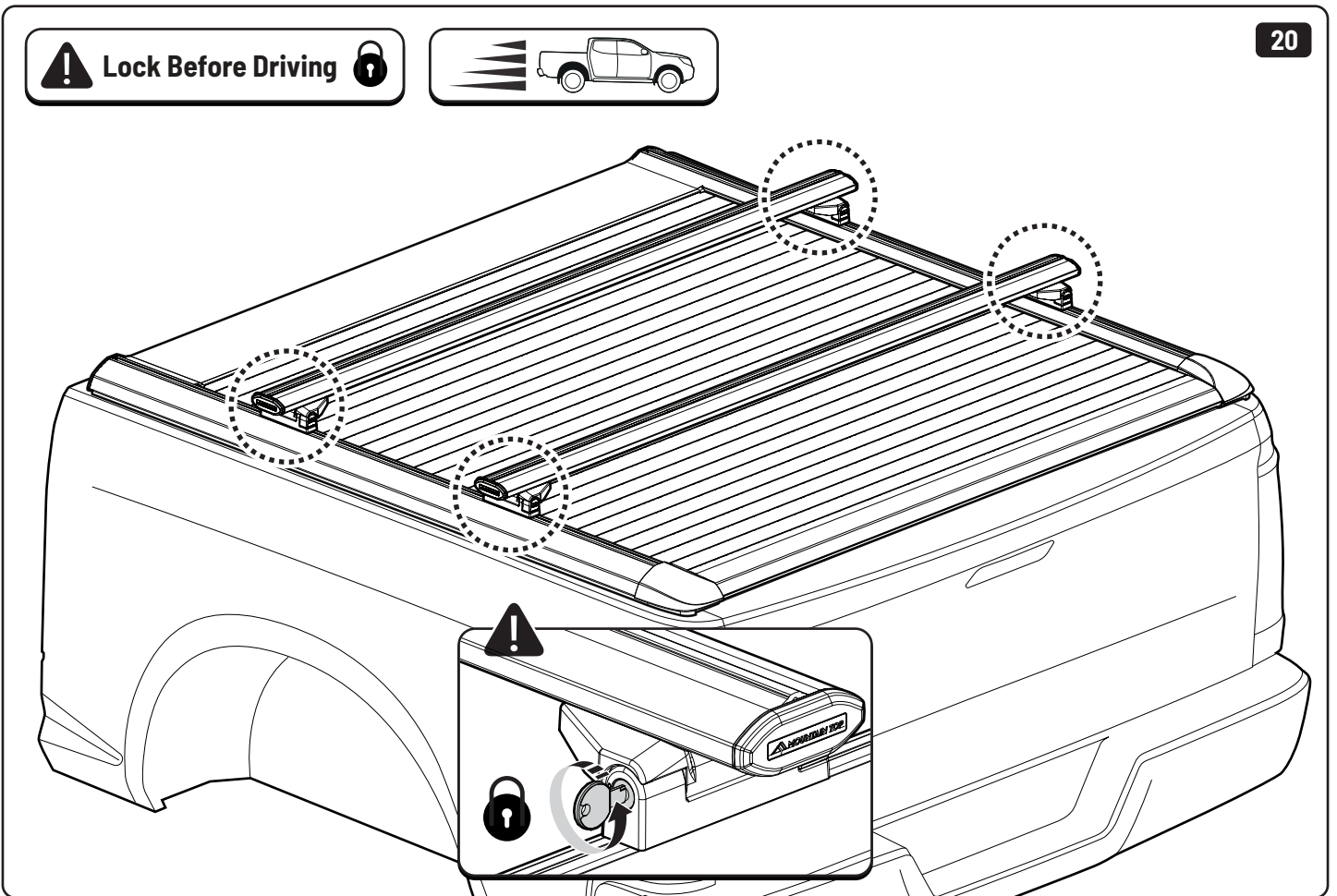


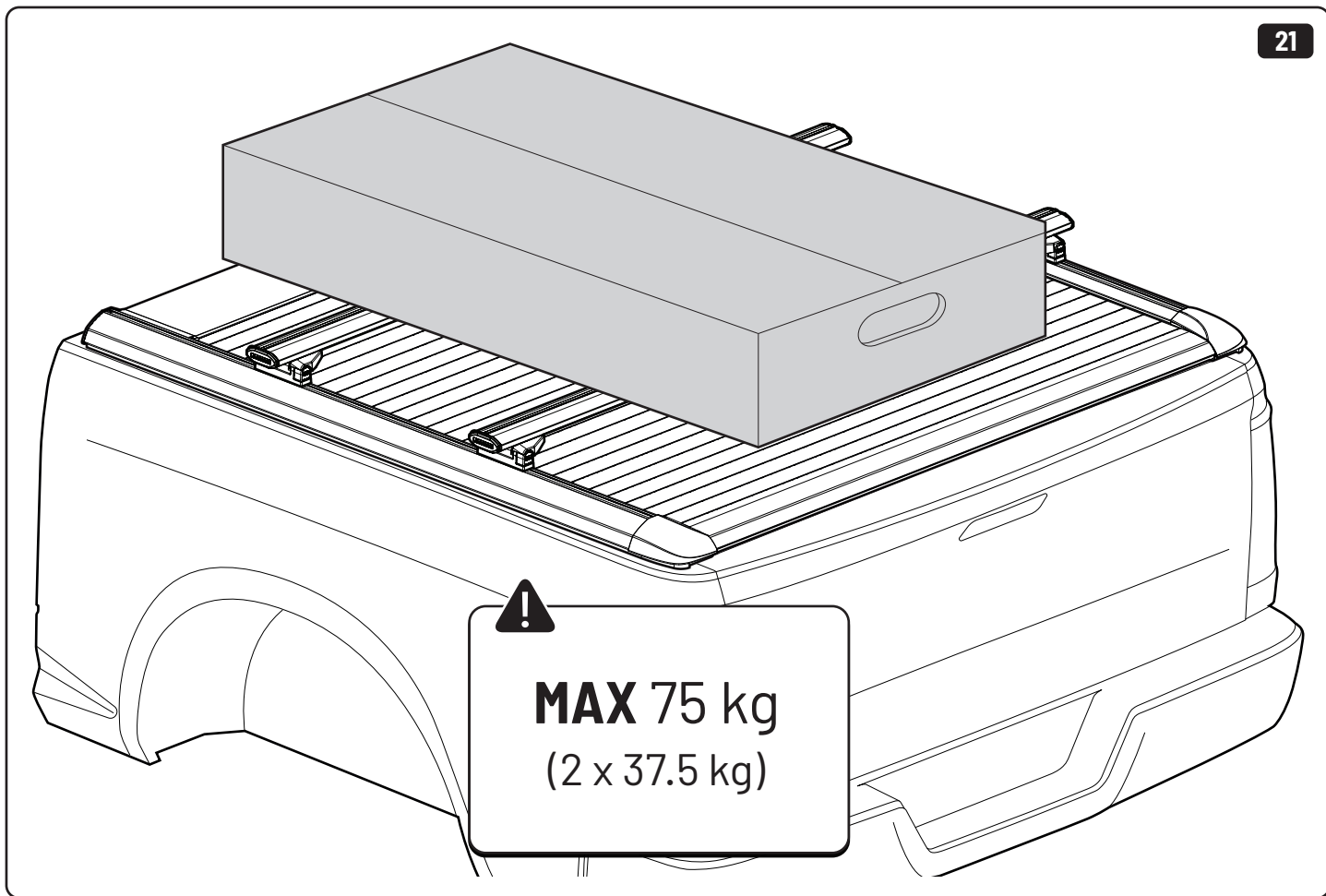






 **Lock Before Driving** 







Customer Service +45 4810 2950 (08:00 - 16:00 CET)
Support info@mountaintop.dk
Website www.mountaintop.dk
Address Pedersholmparken 10, 3600 Frederikssund, Denmark

Part number (s)	Model / Year	Cab type (s)	Installation time	Weight
CB FLEX LB04	Model / All	All	30 minute (s)	8 kg

GB Installation manual	S Monteringsanvisning	D Einbauanleitung
SF Asennusohje	E Instrucciones de montaje	CZ Návod k instalaci
F Notice de montage	H Szerelési utasítás	I Istruzioni di montaggio
PL Instrukcja montażu	P Instruções de instalação	GR Οδηγίες Εγκατάστασης
NL Installatie-instructies	RUS Инструкция по установке	DK Monteringsvejledning
TR Montaj Talimatı	N Monteringsveiledning	RO Instructiuni de instalare