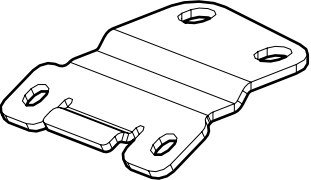
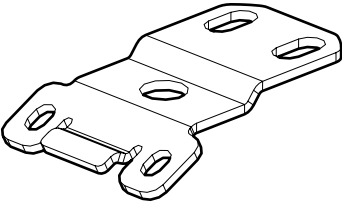
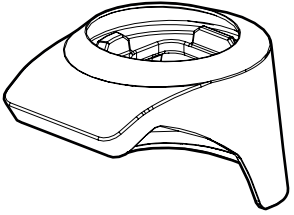
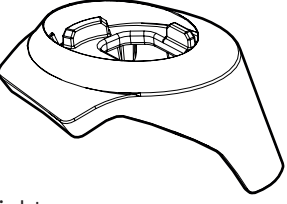
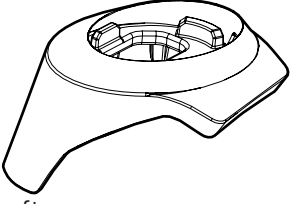


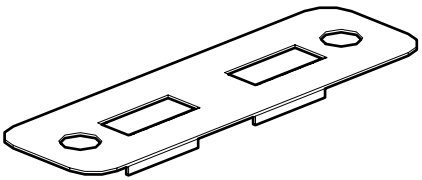
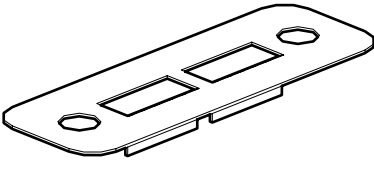
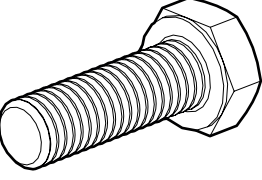
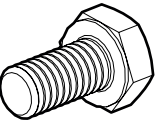

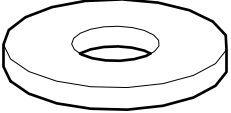
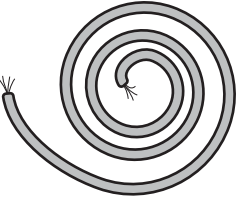
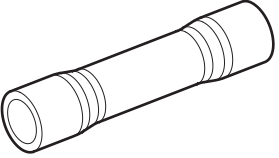
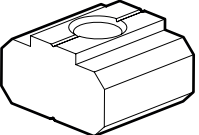

MOUNTAIN TOP[®] ADAPTOR KIT

Installation manual

Parts

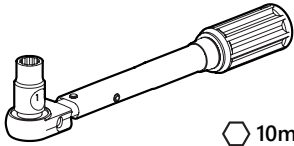
A		B			
Rear	x2	Front	x2		
C		D		E	
Front	x2	Rear Right	x1	Rear Left	x1

Kit

F		G			
72mm, Front	x2	63mm, Rear	x2		
H		I		J	
	x8		x8		x8
K		L		M	
	x8		x1		x8
N		Installation manual			x1
	x8				

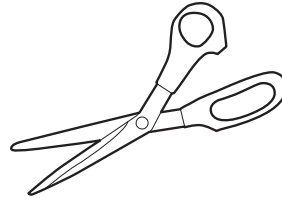
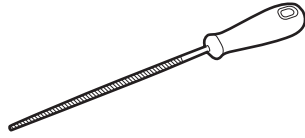
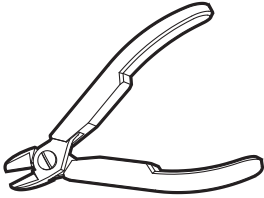
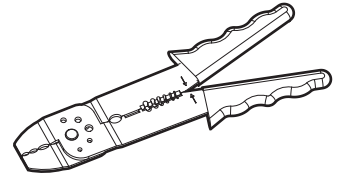
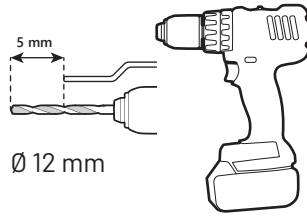
Tools and materials needed

1 - 25 Nm

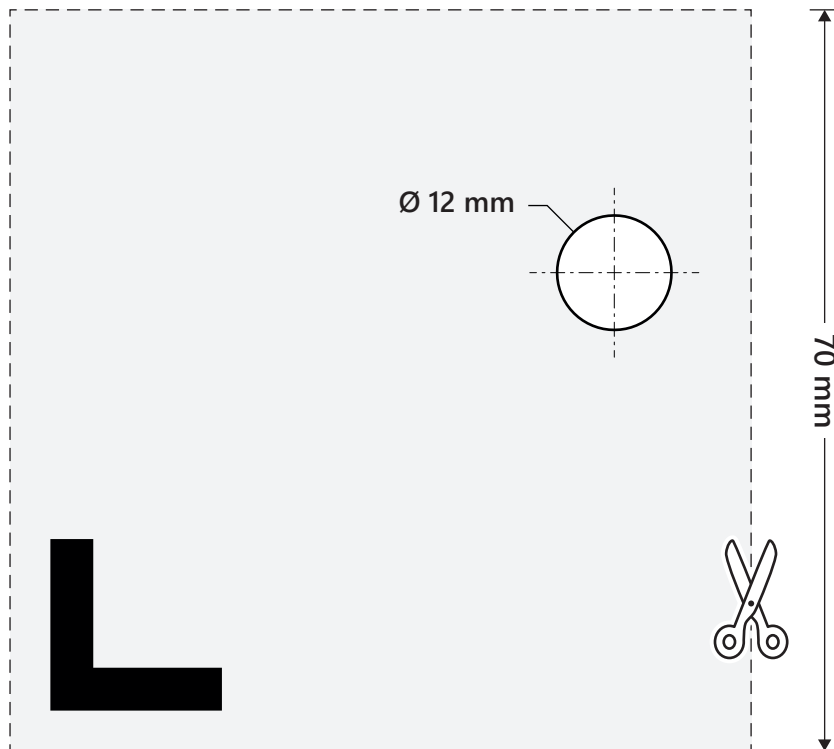


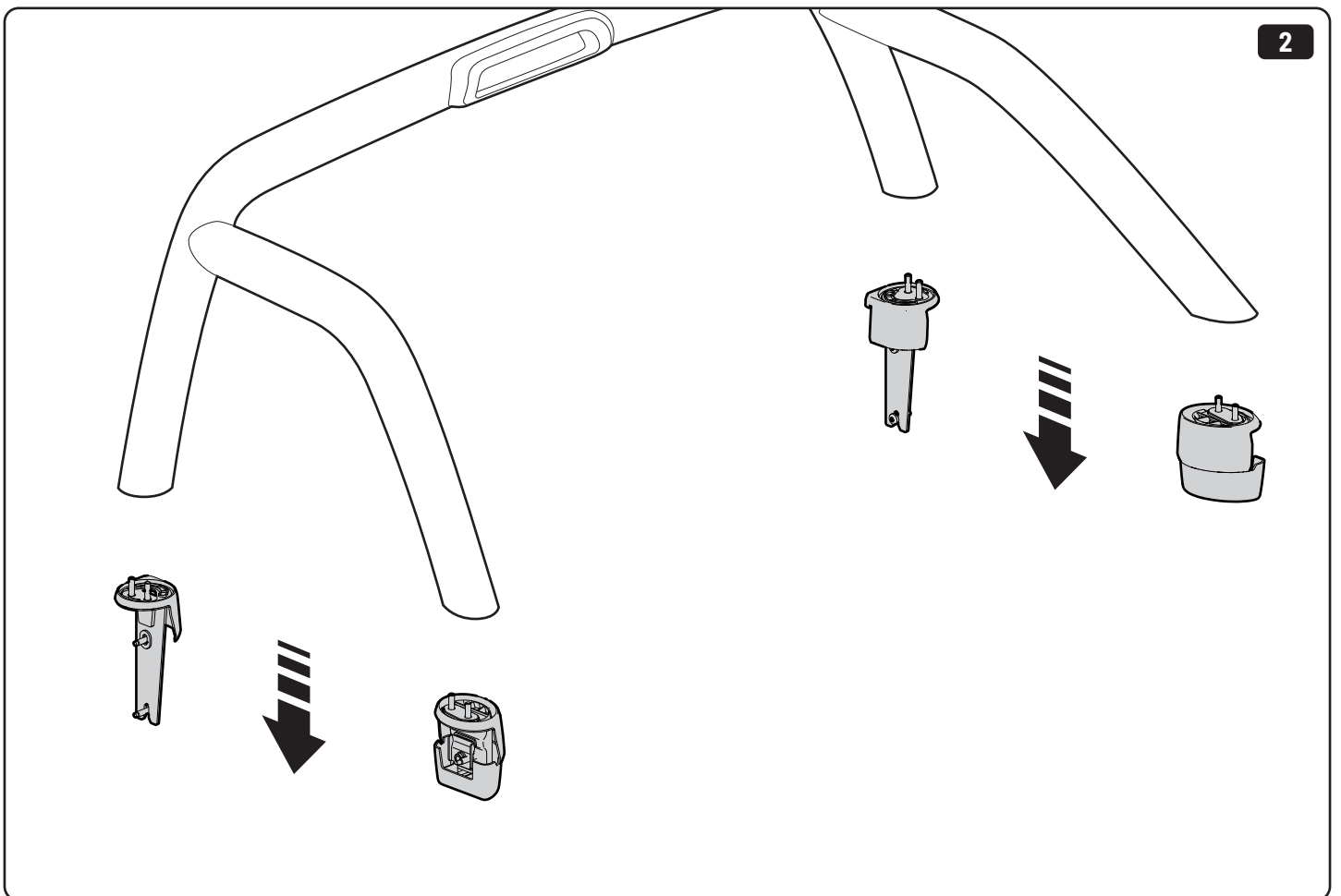
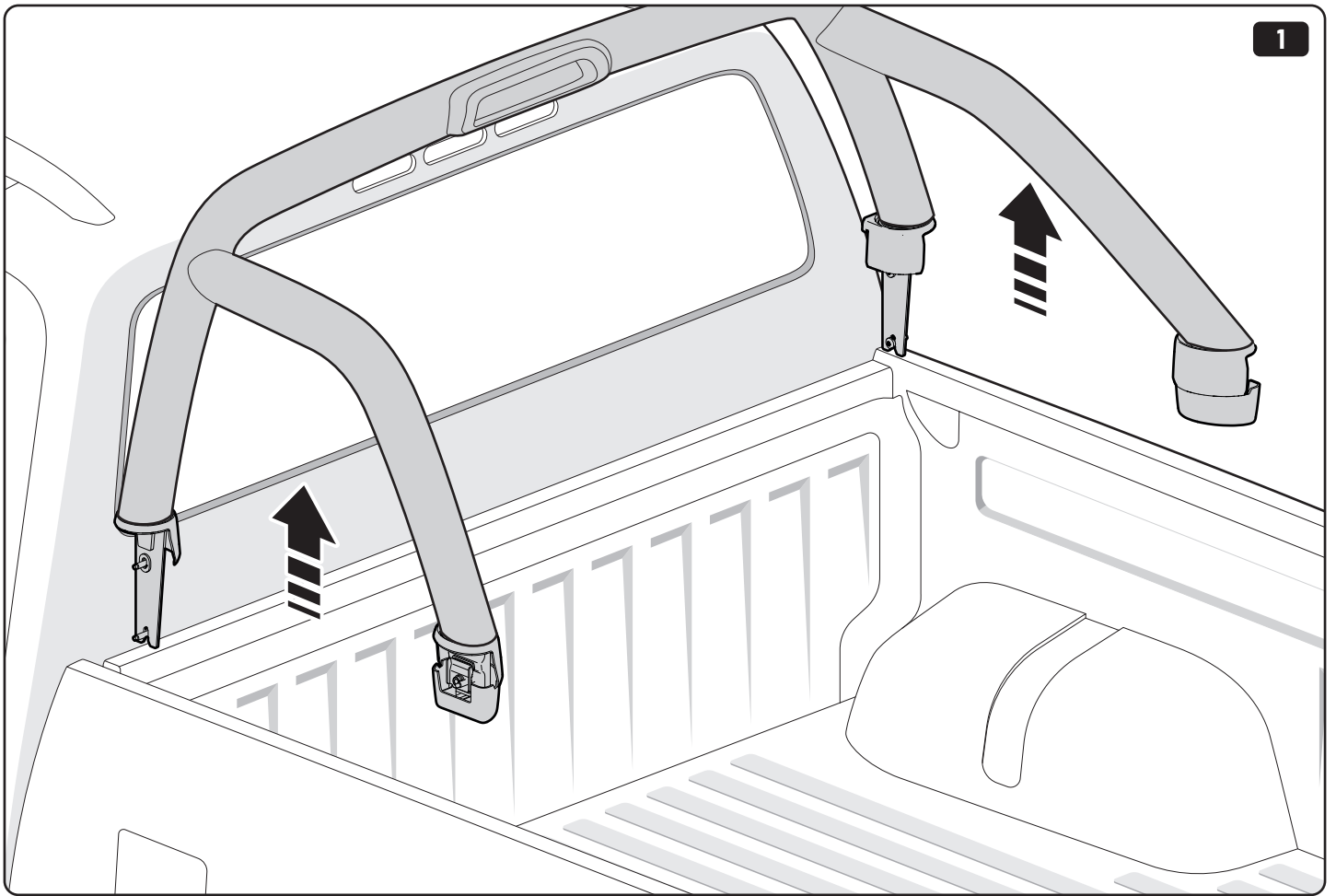
10mm
13mm

5 mm
Ø 12 mm

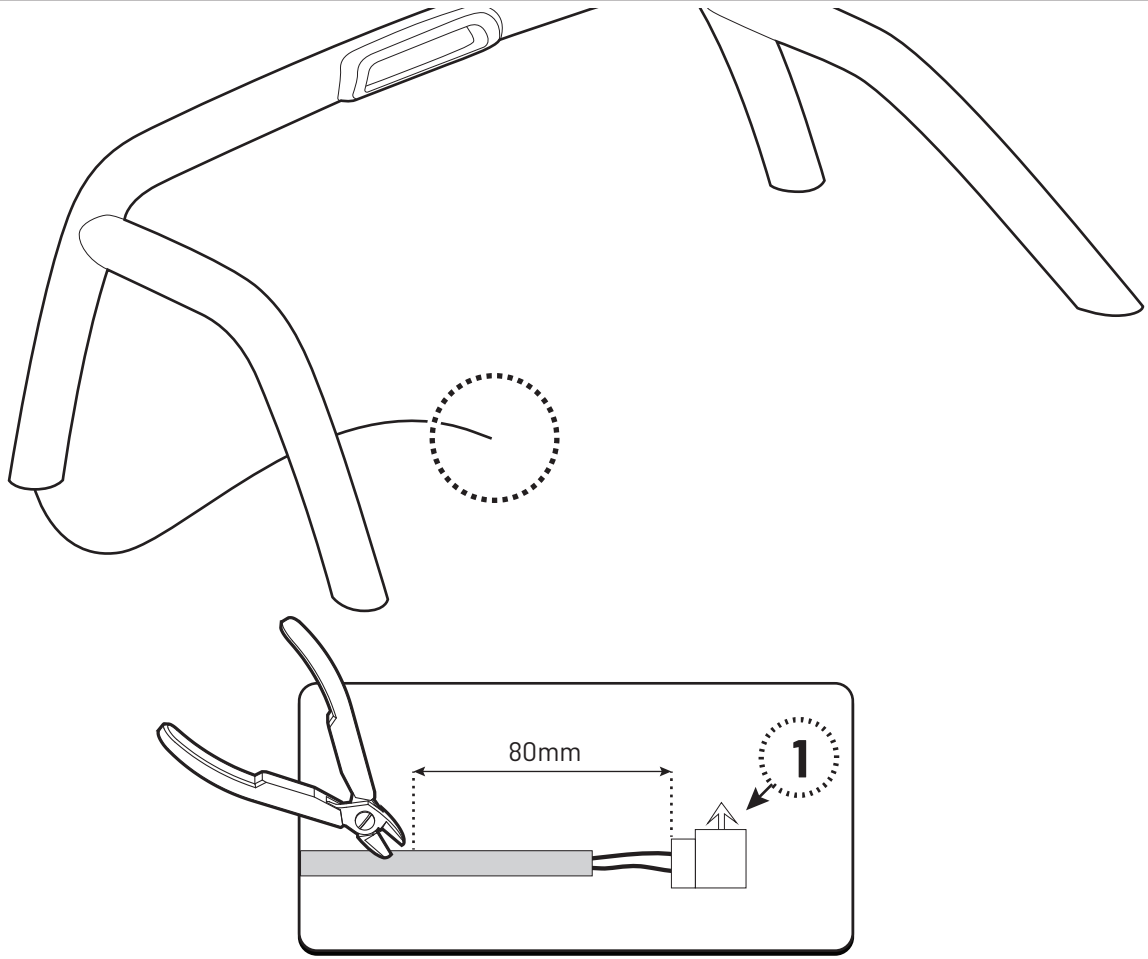


P

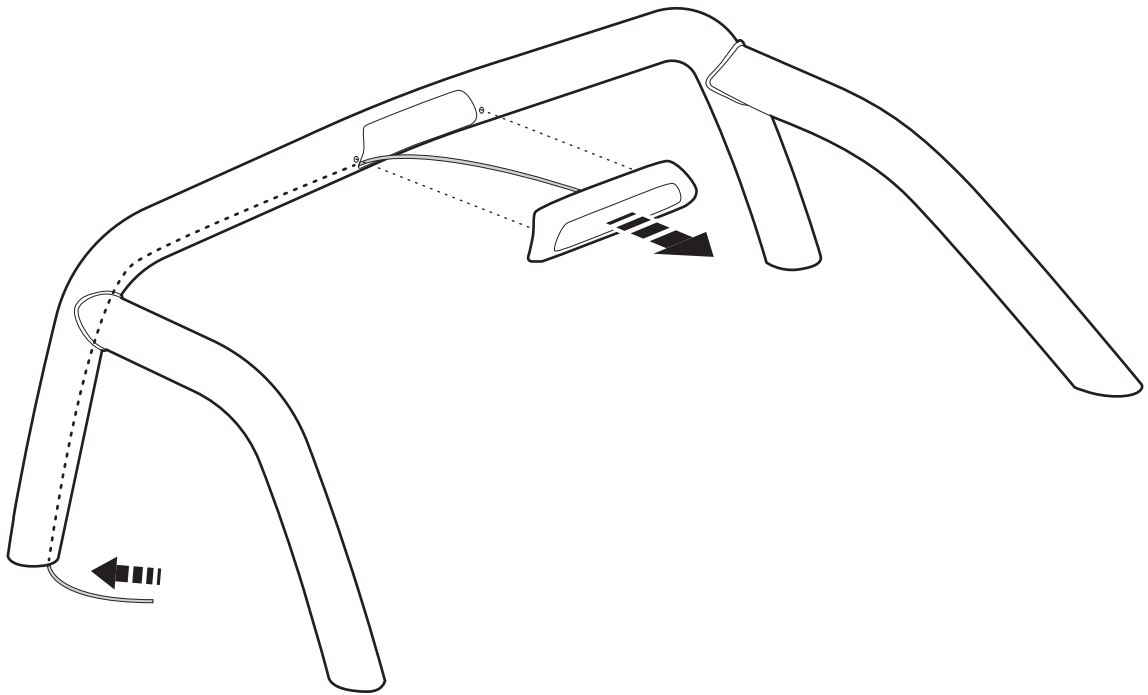


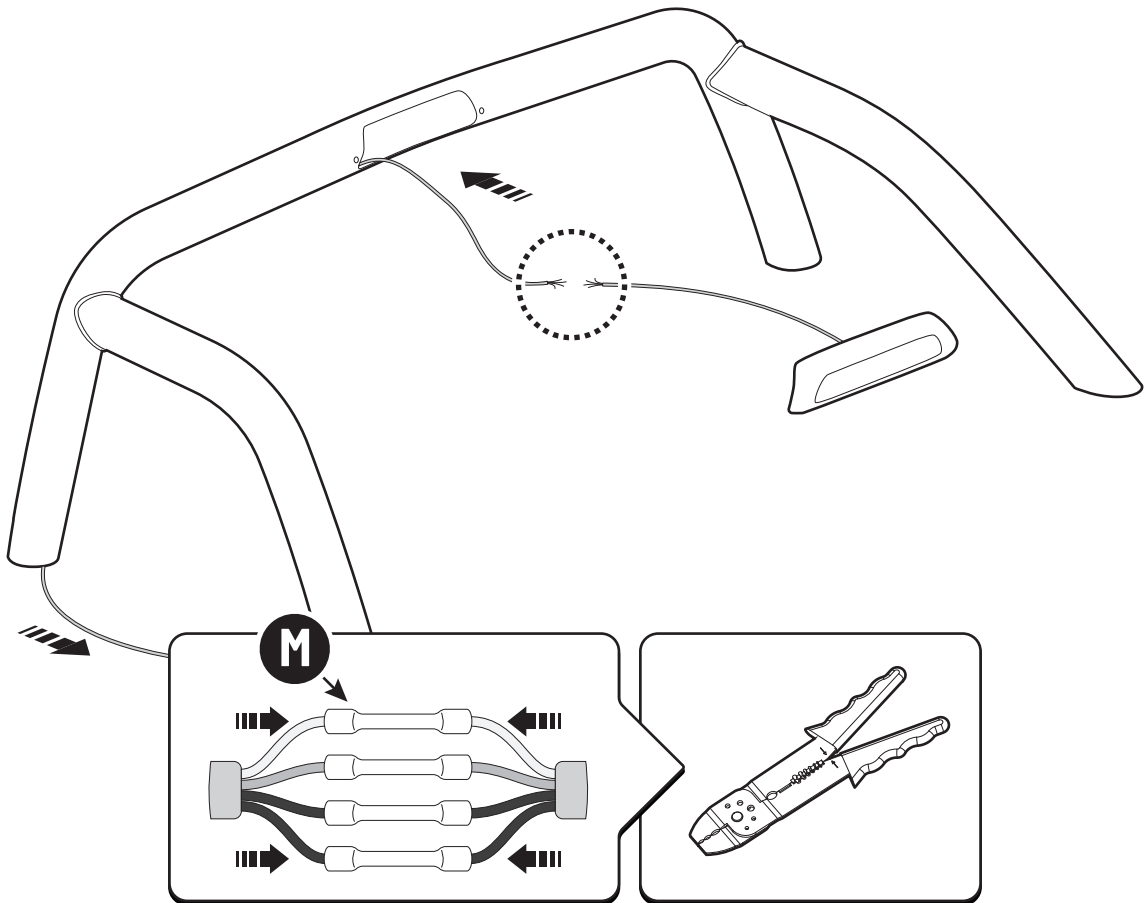
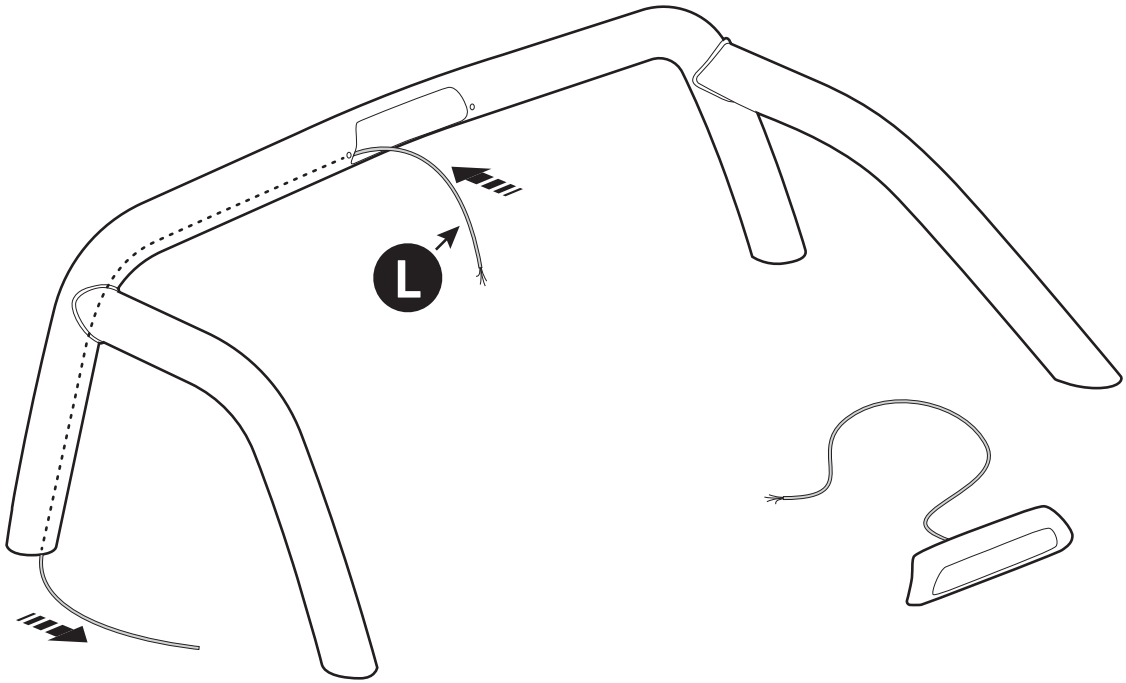


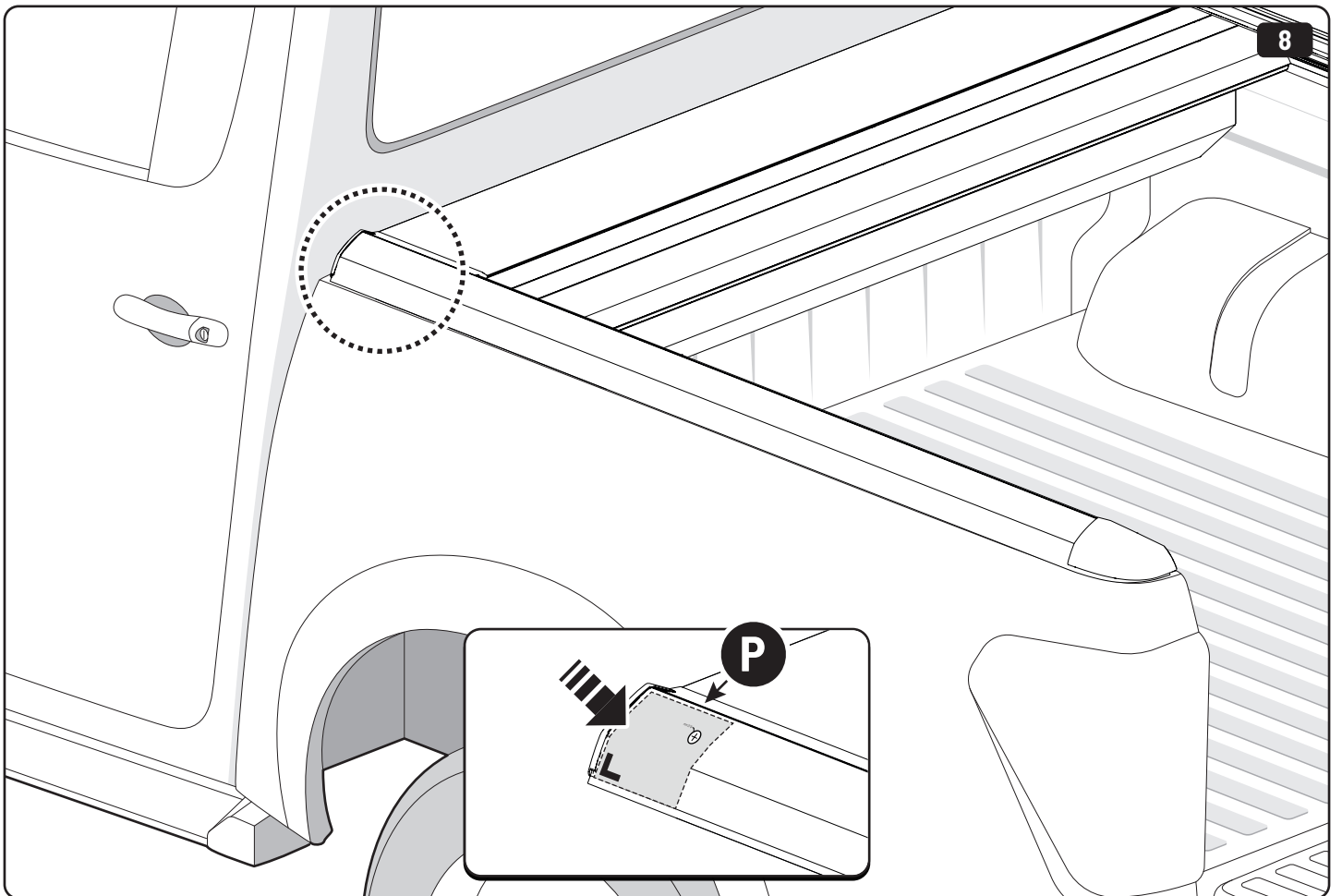
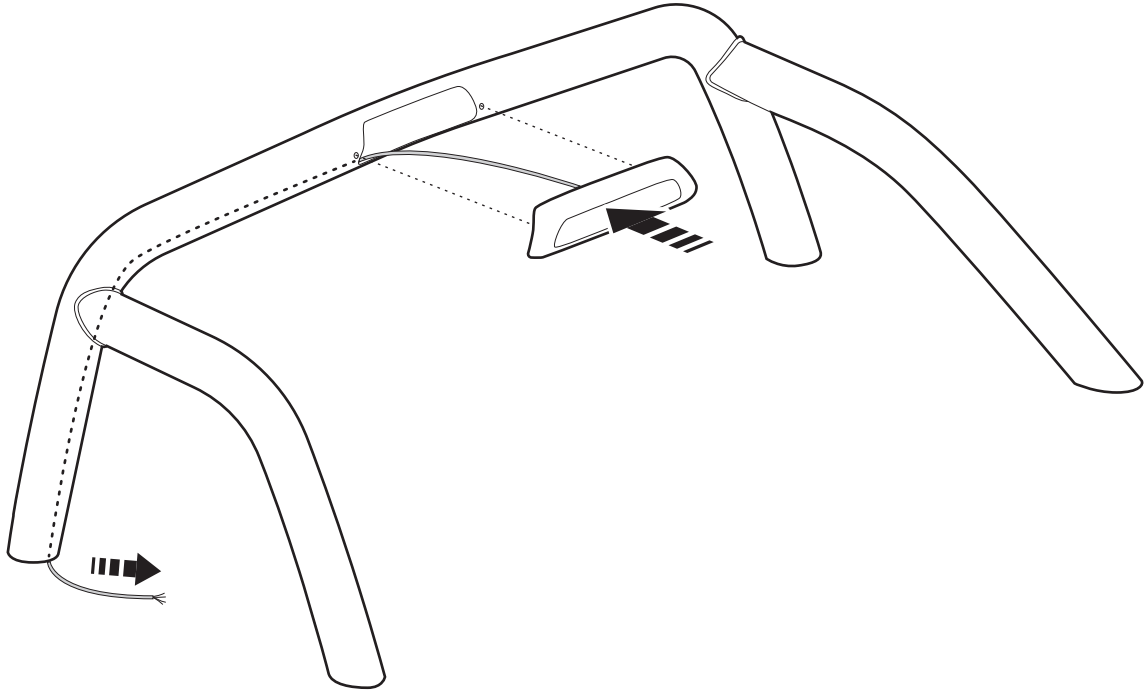
3

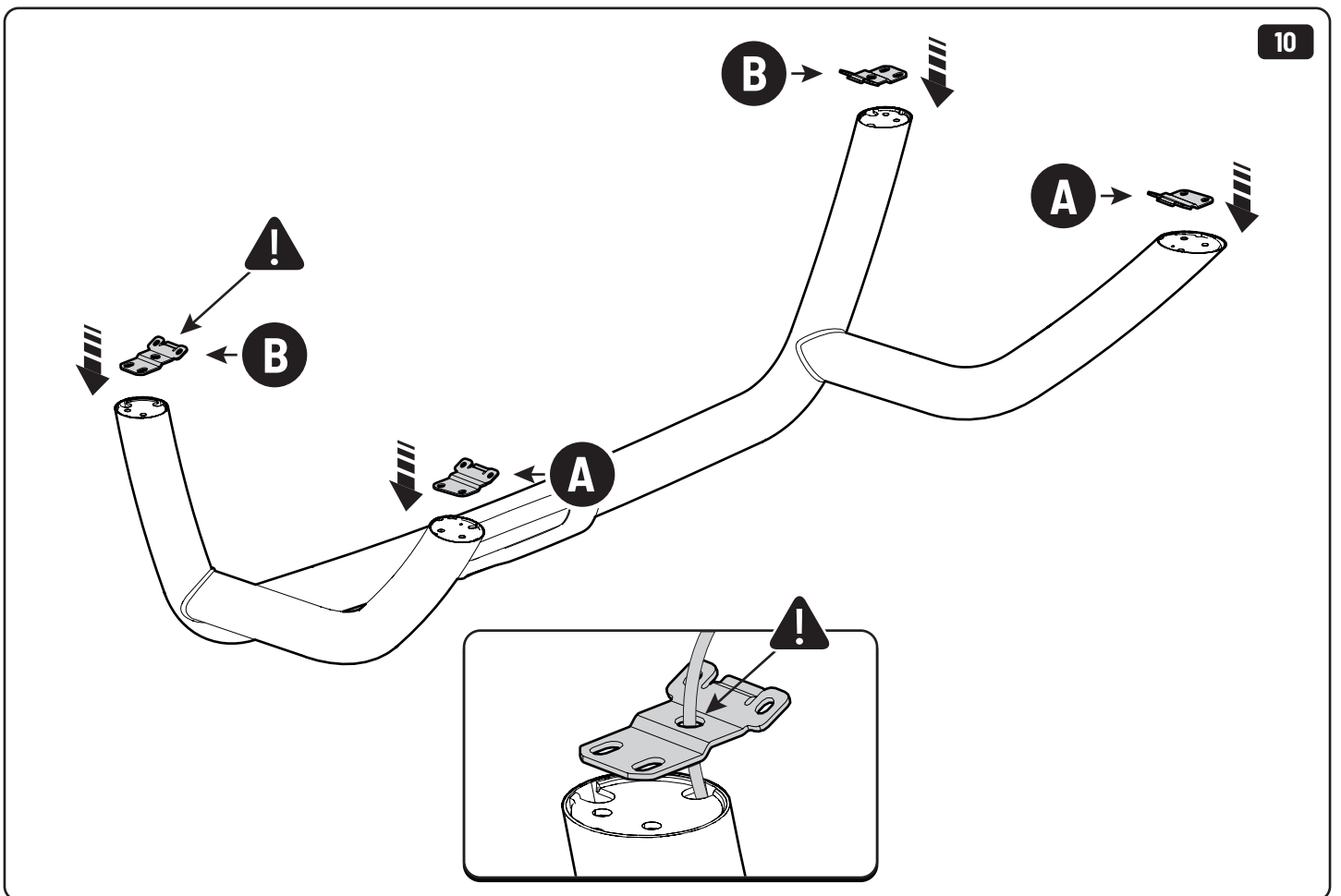
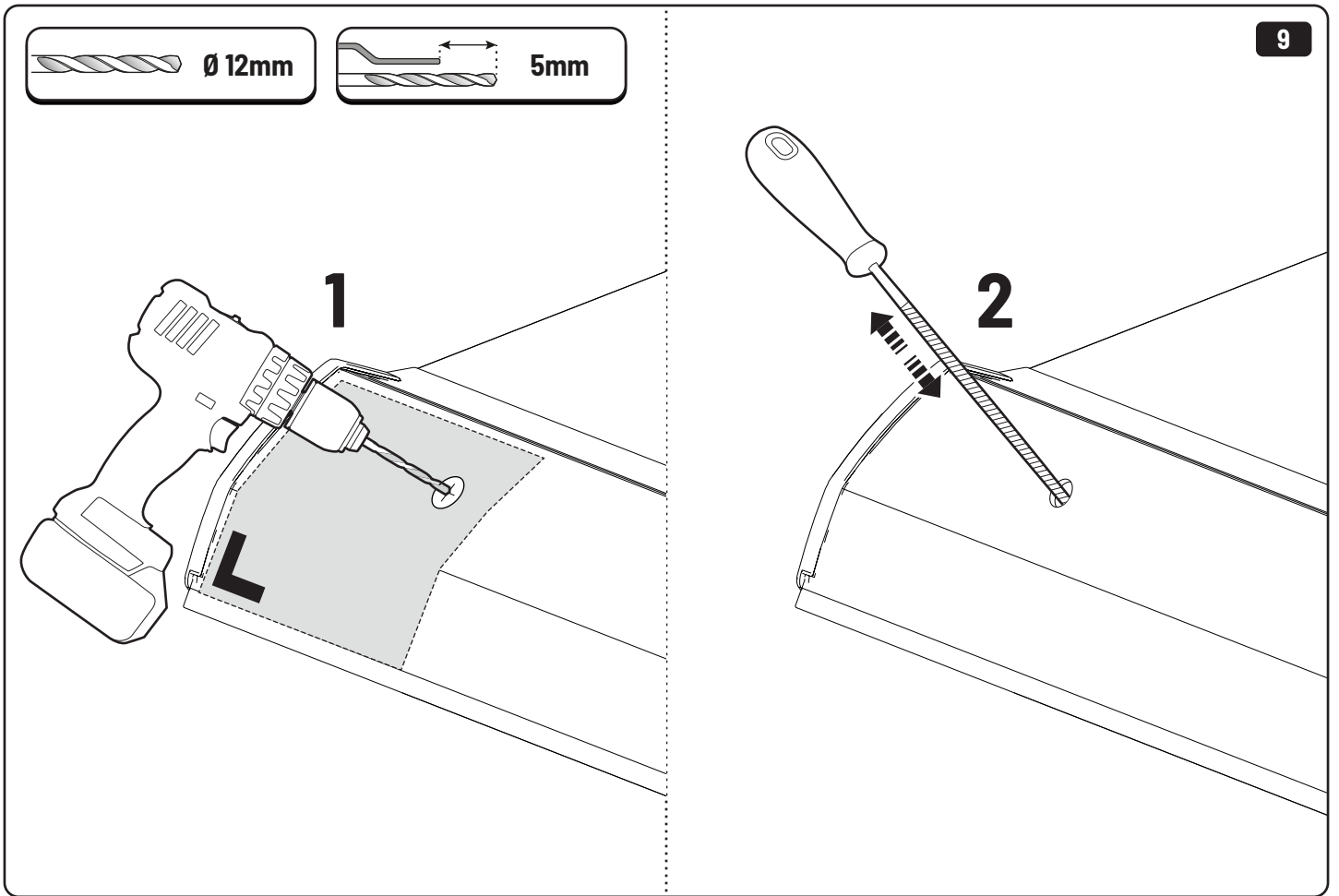


4





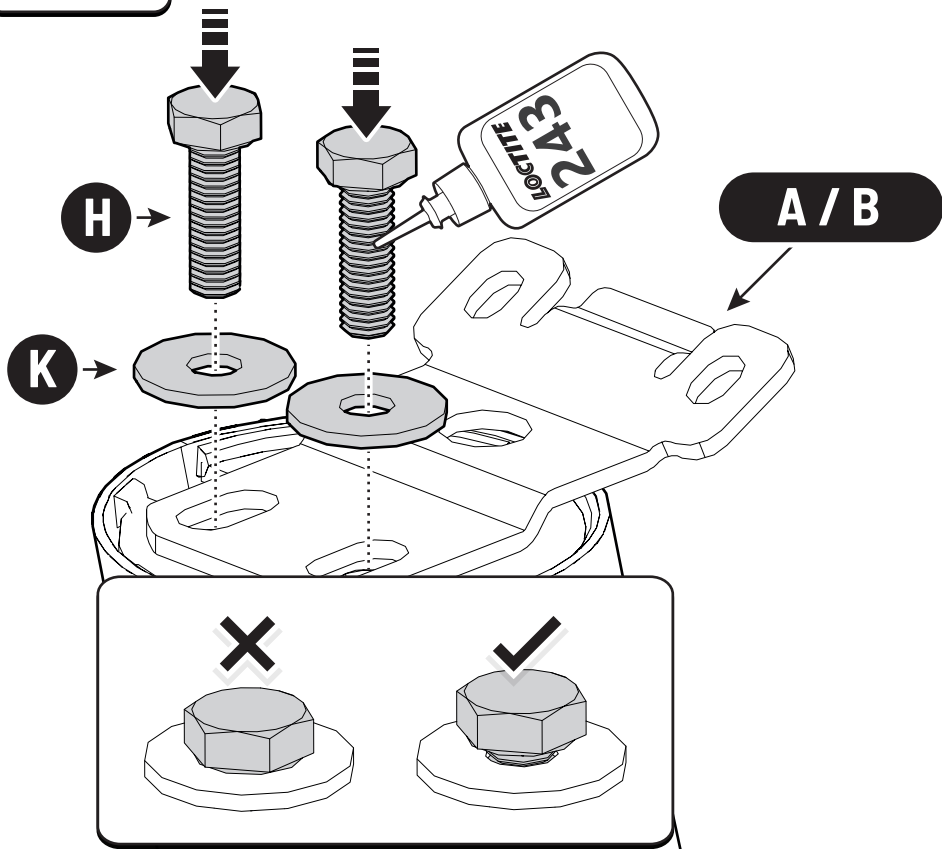




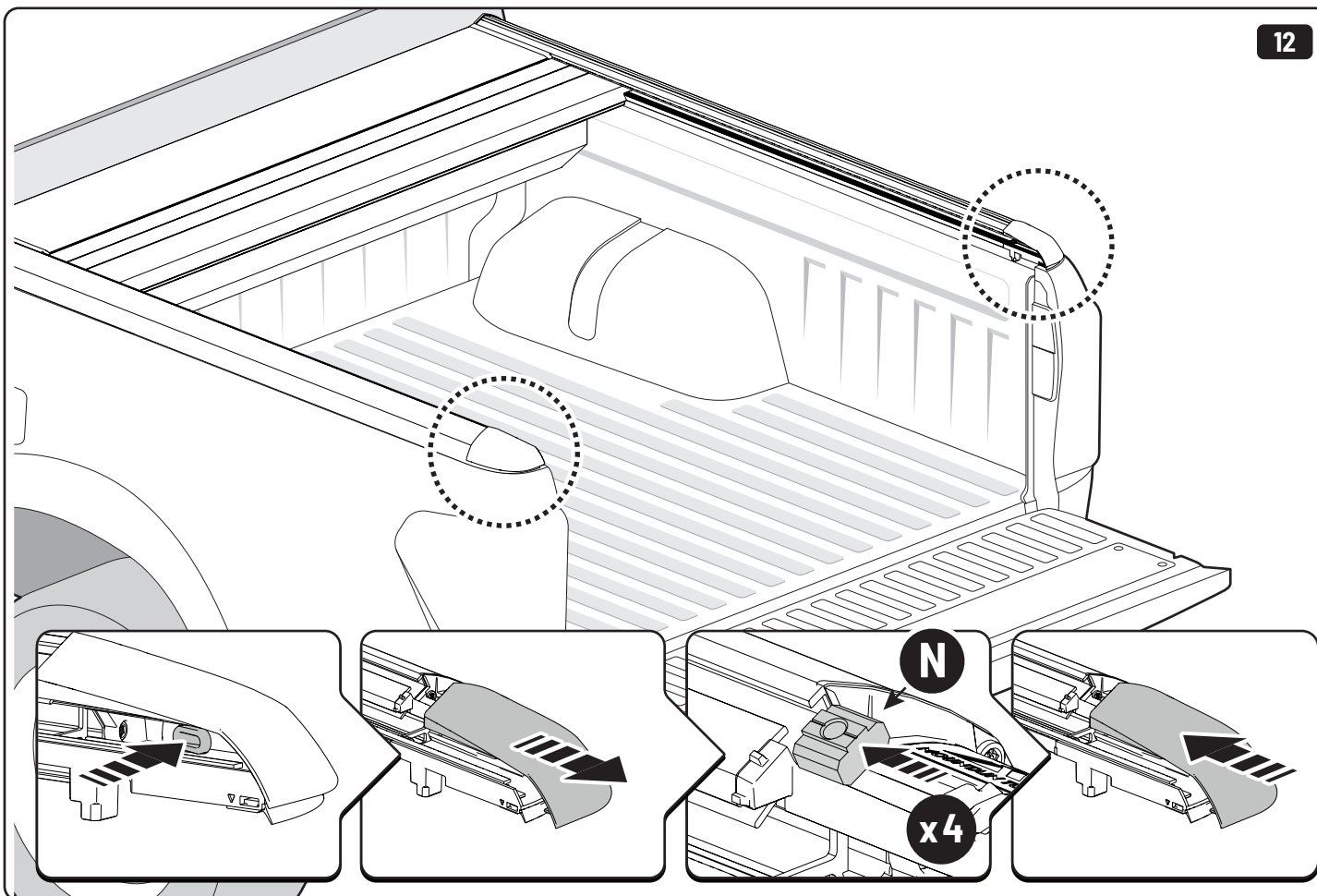
LOCTITE 243

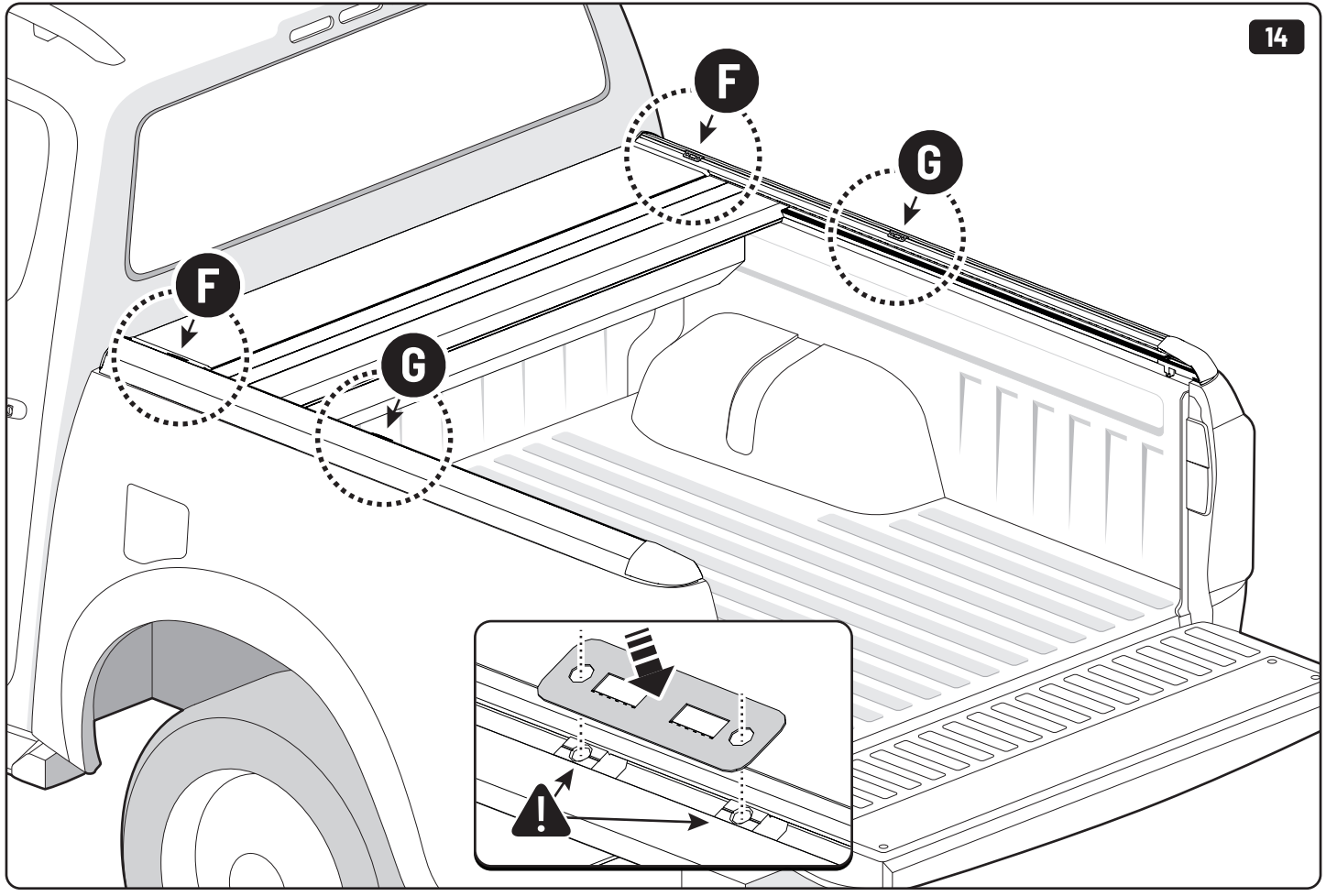
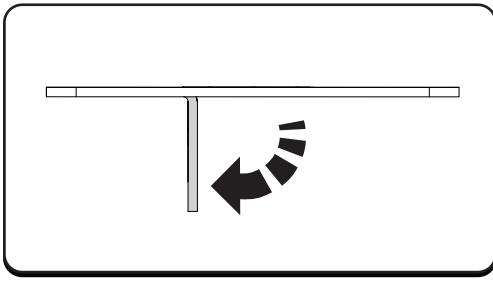
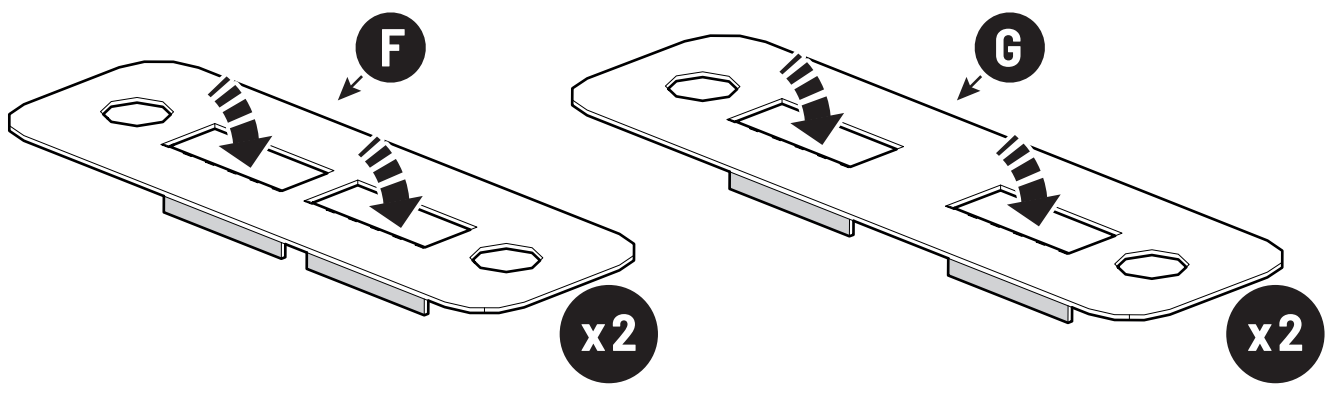
13mm

11

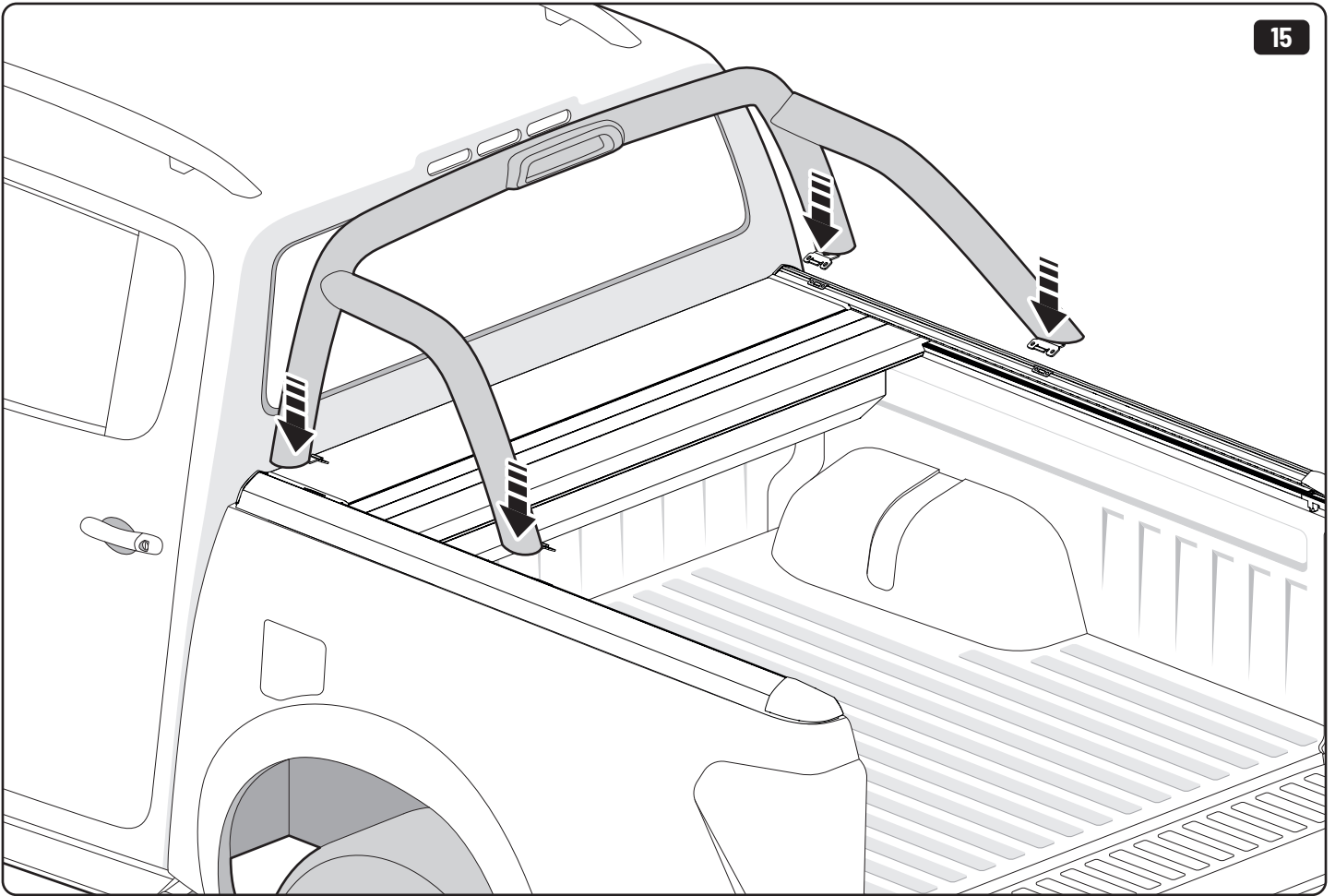


12

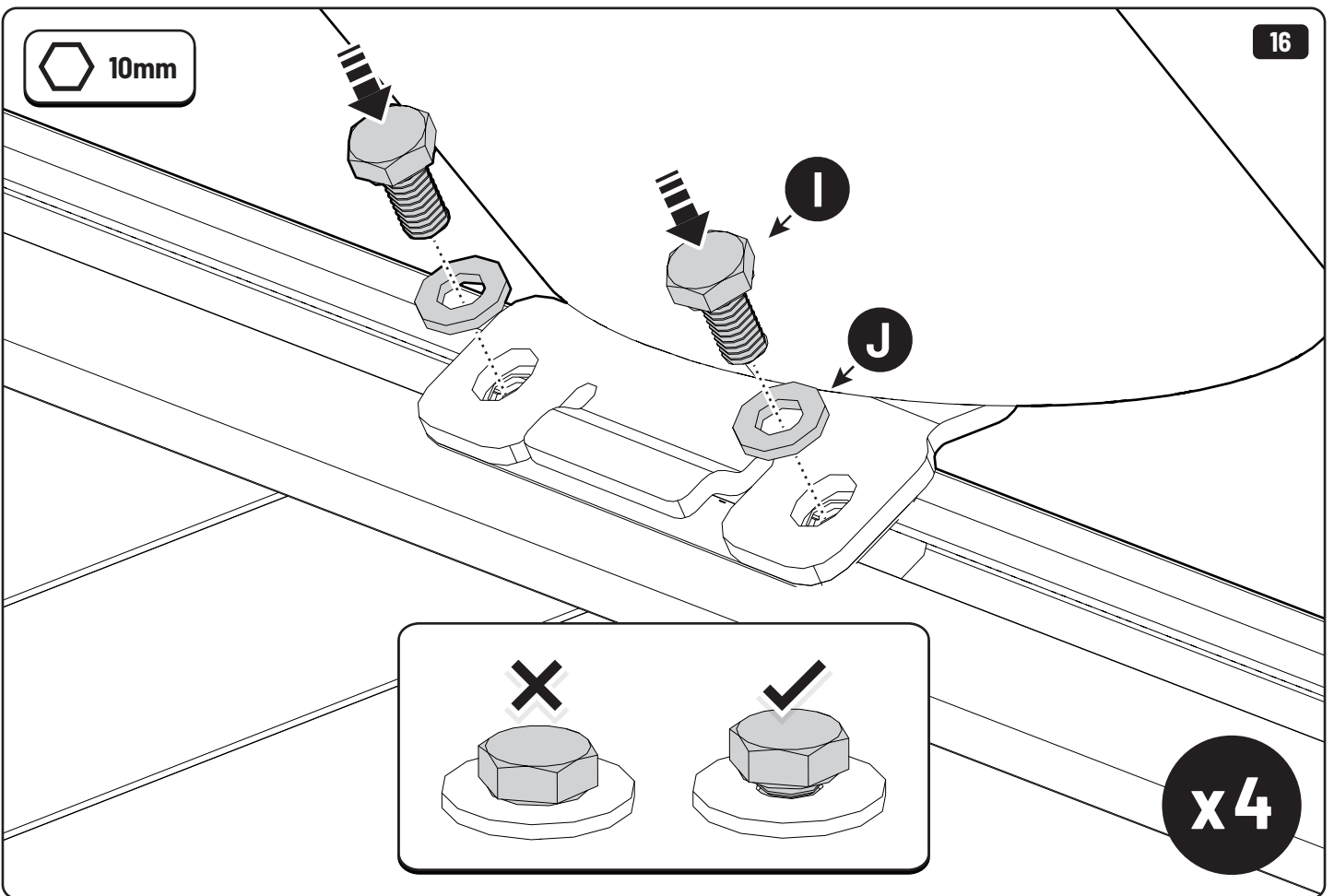


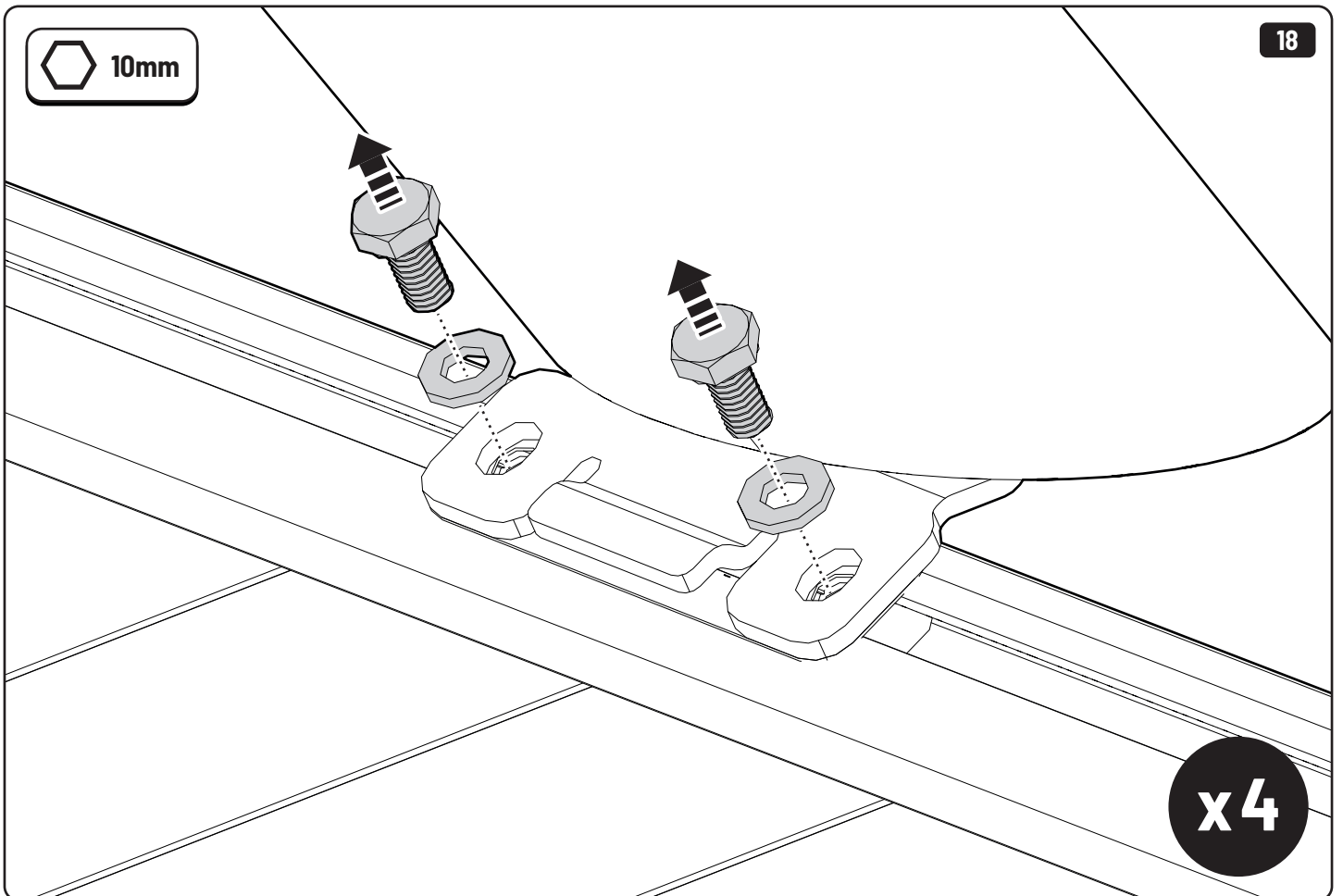
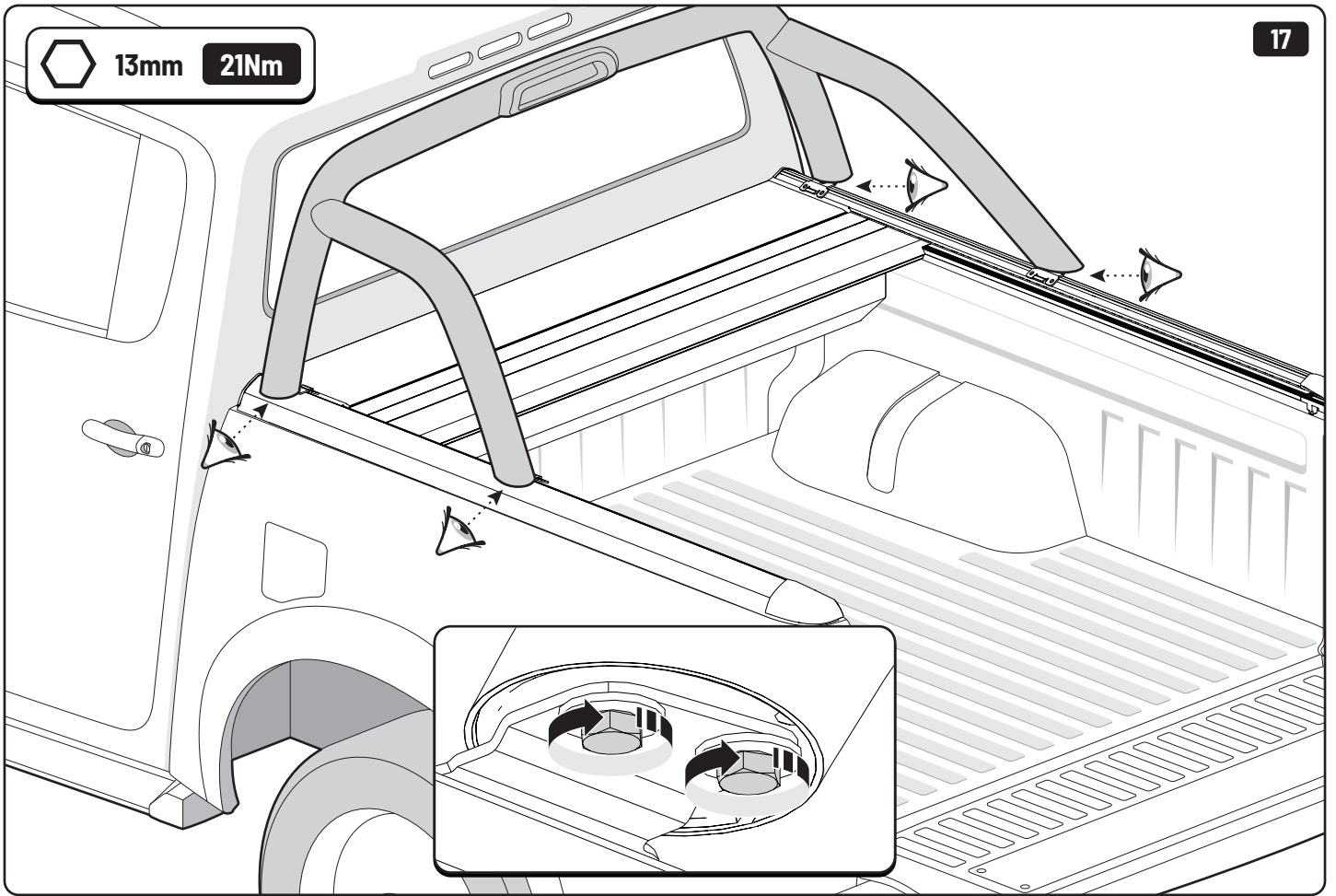


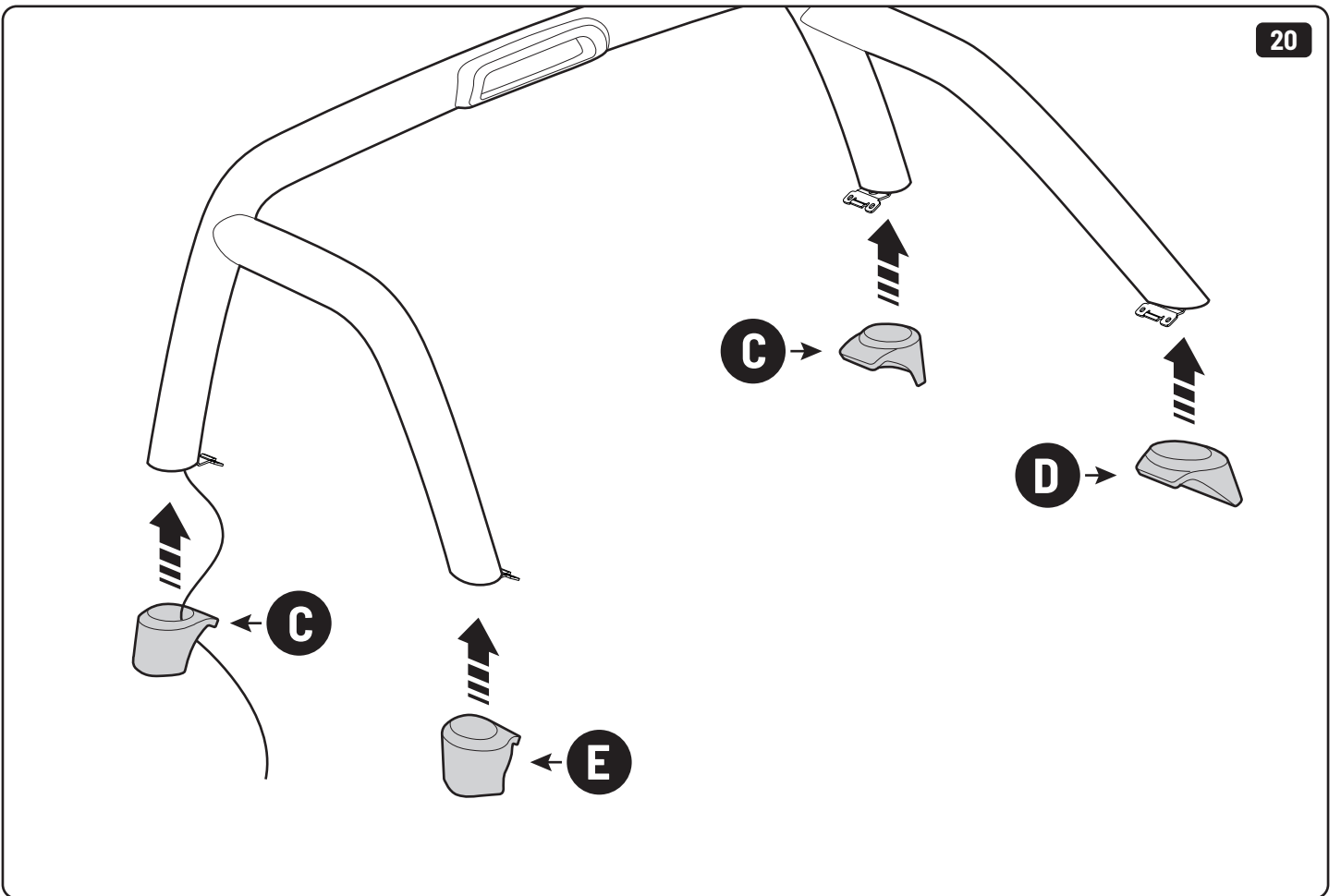
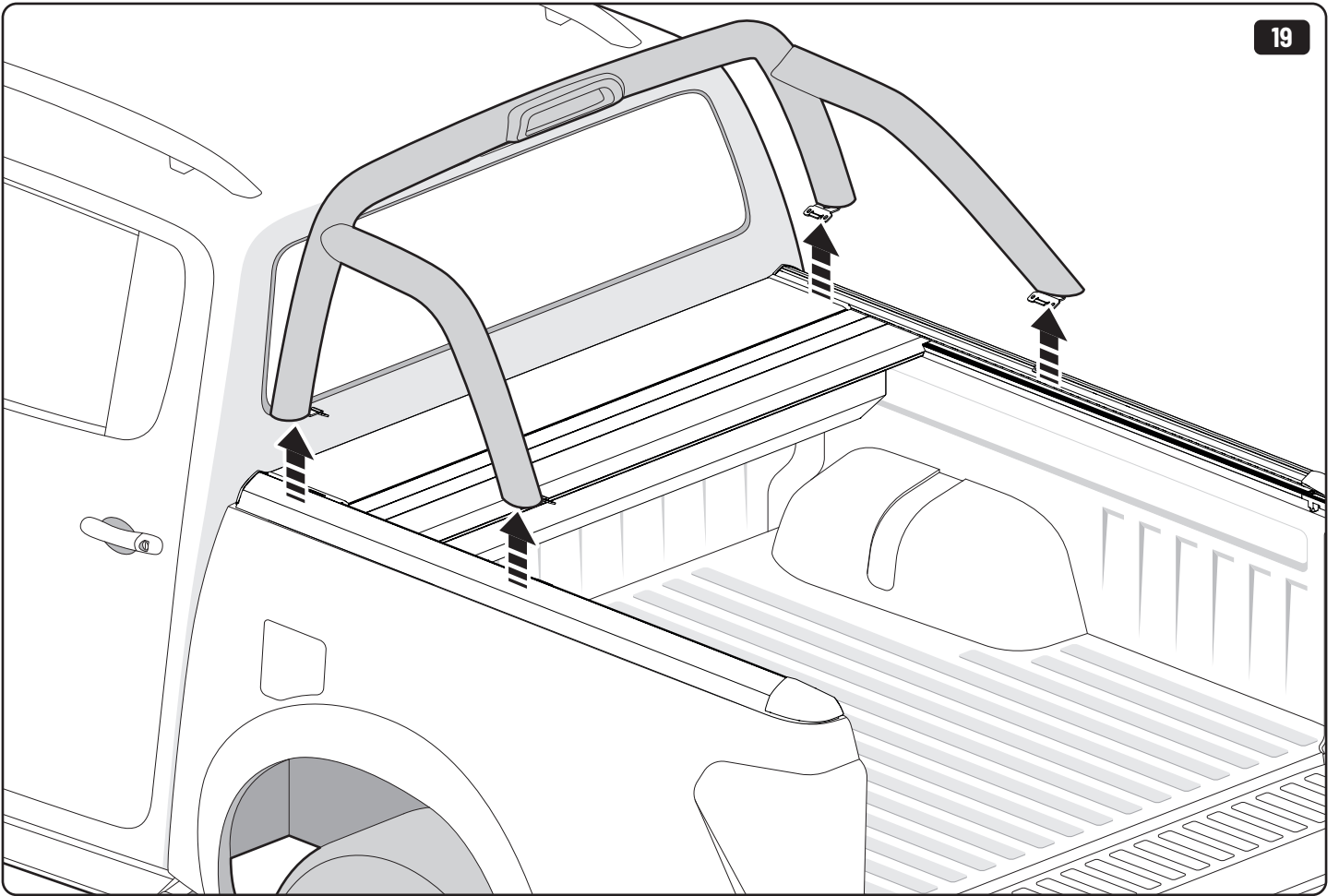
15

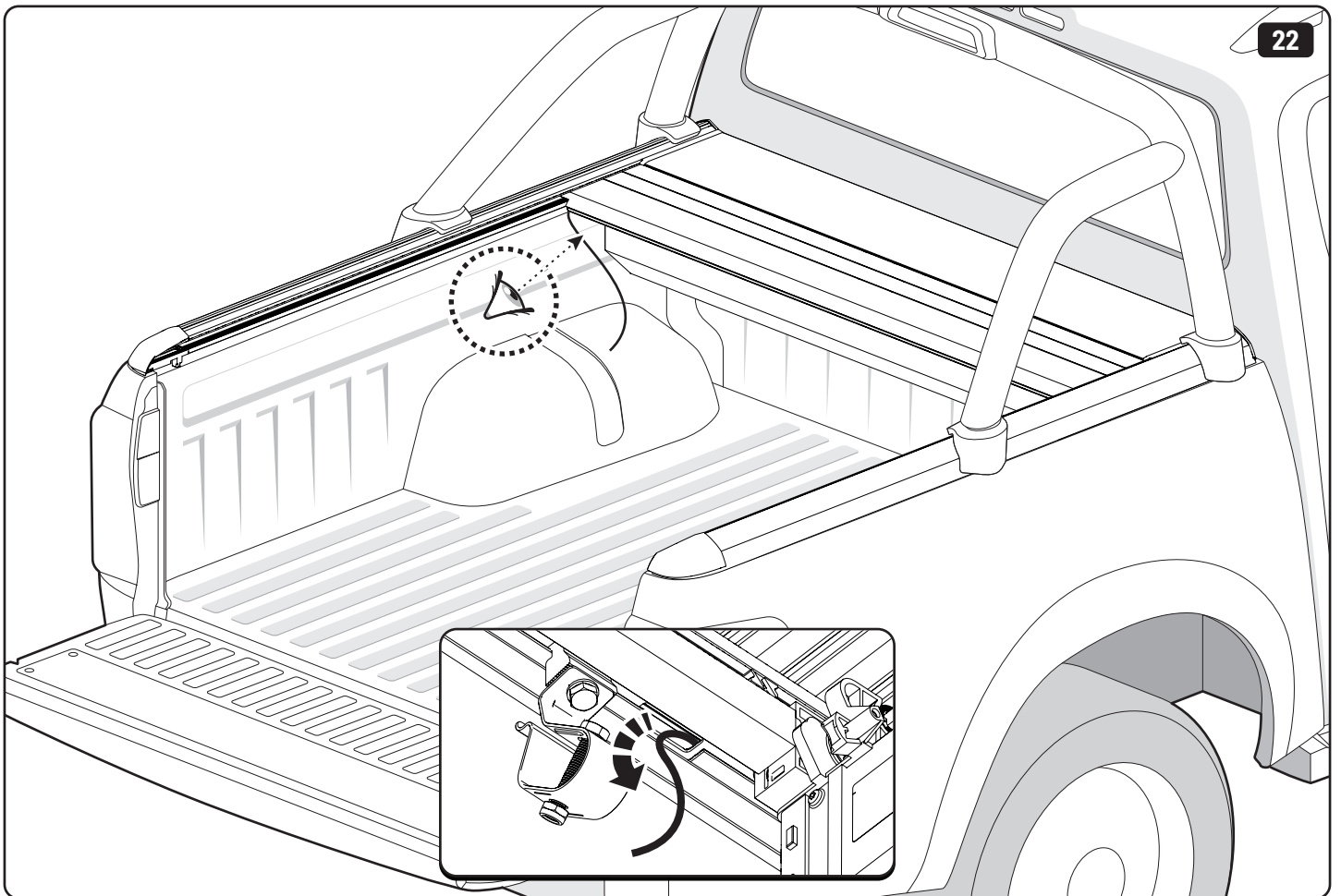
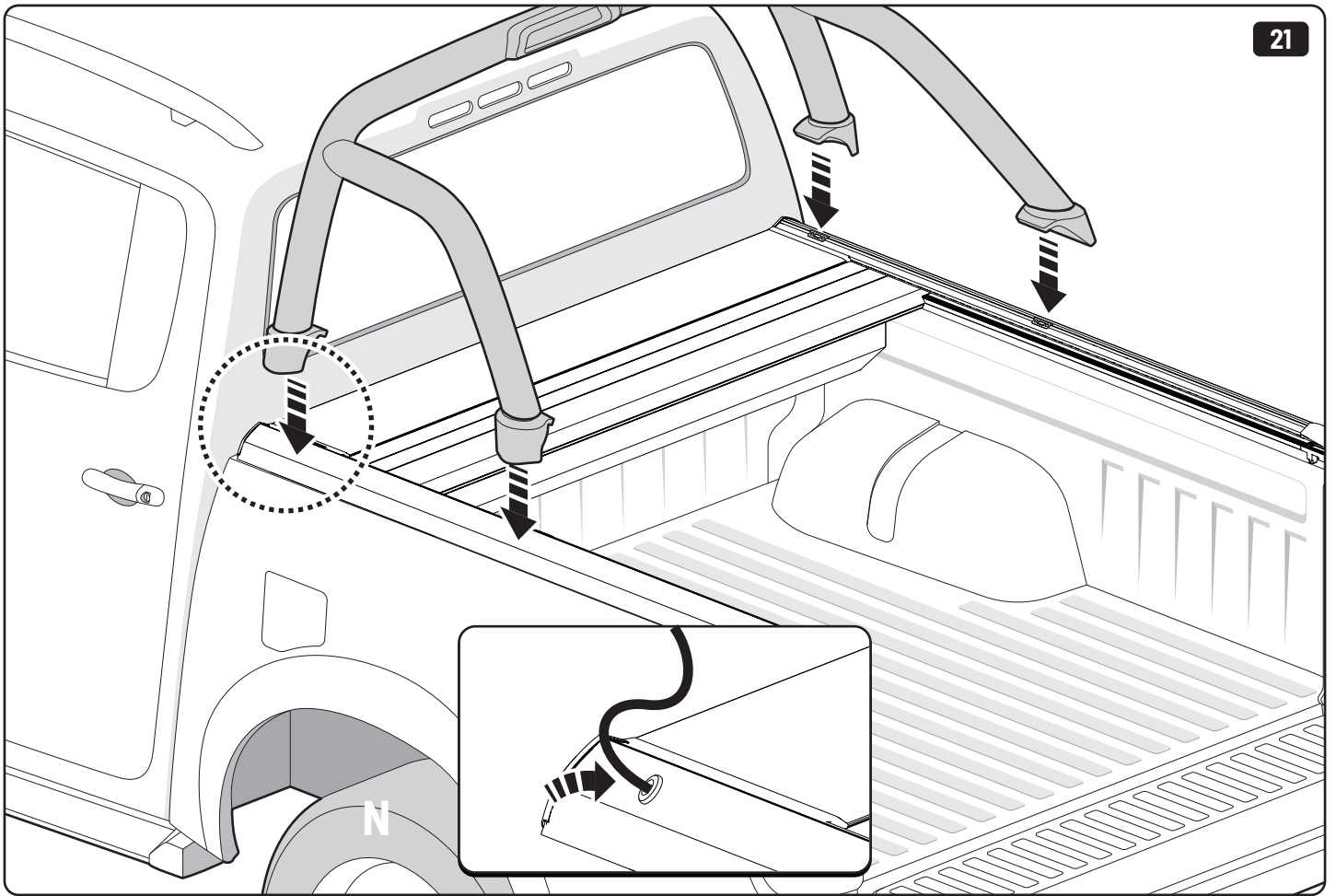


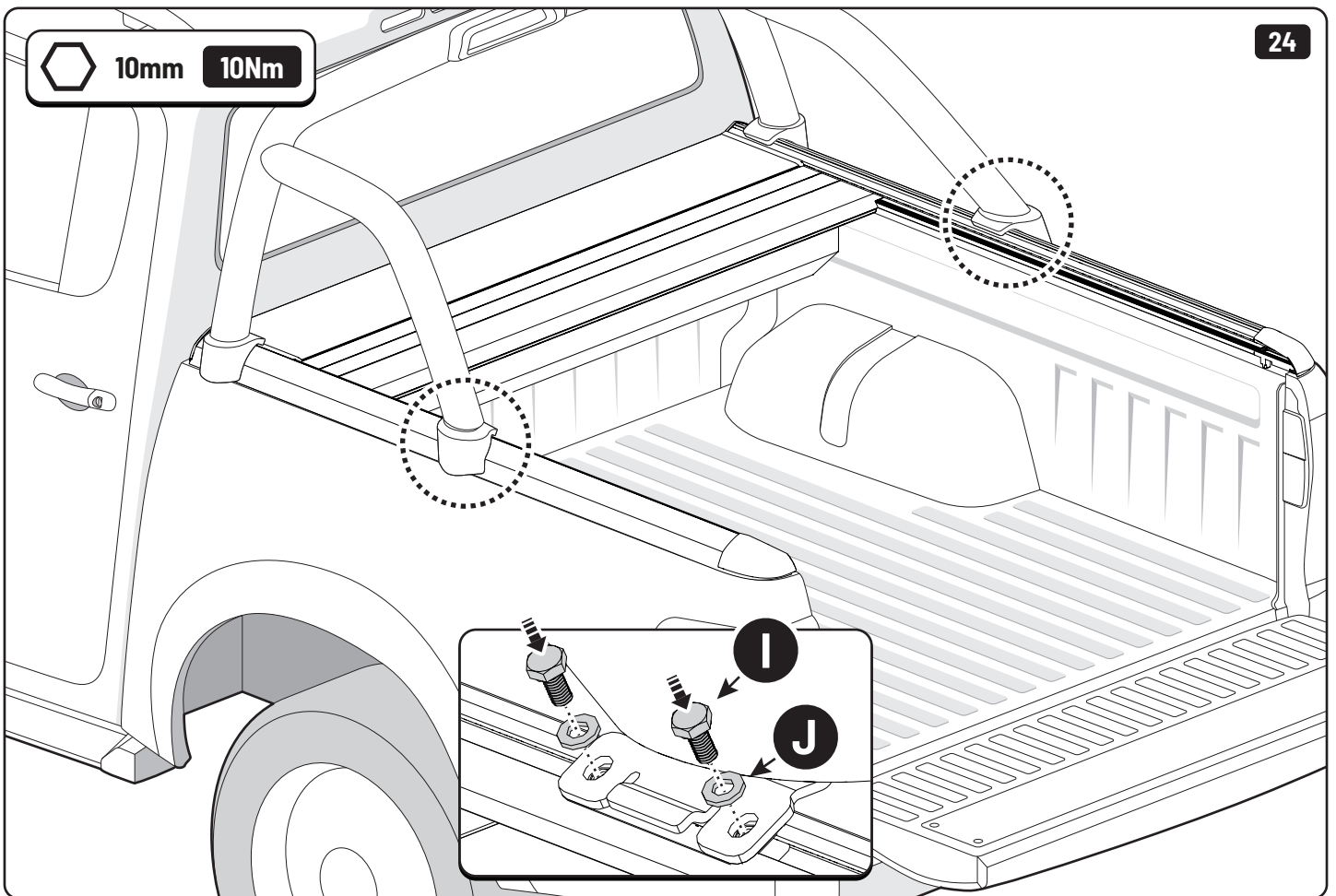
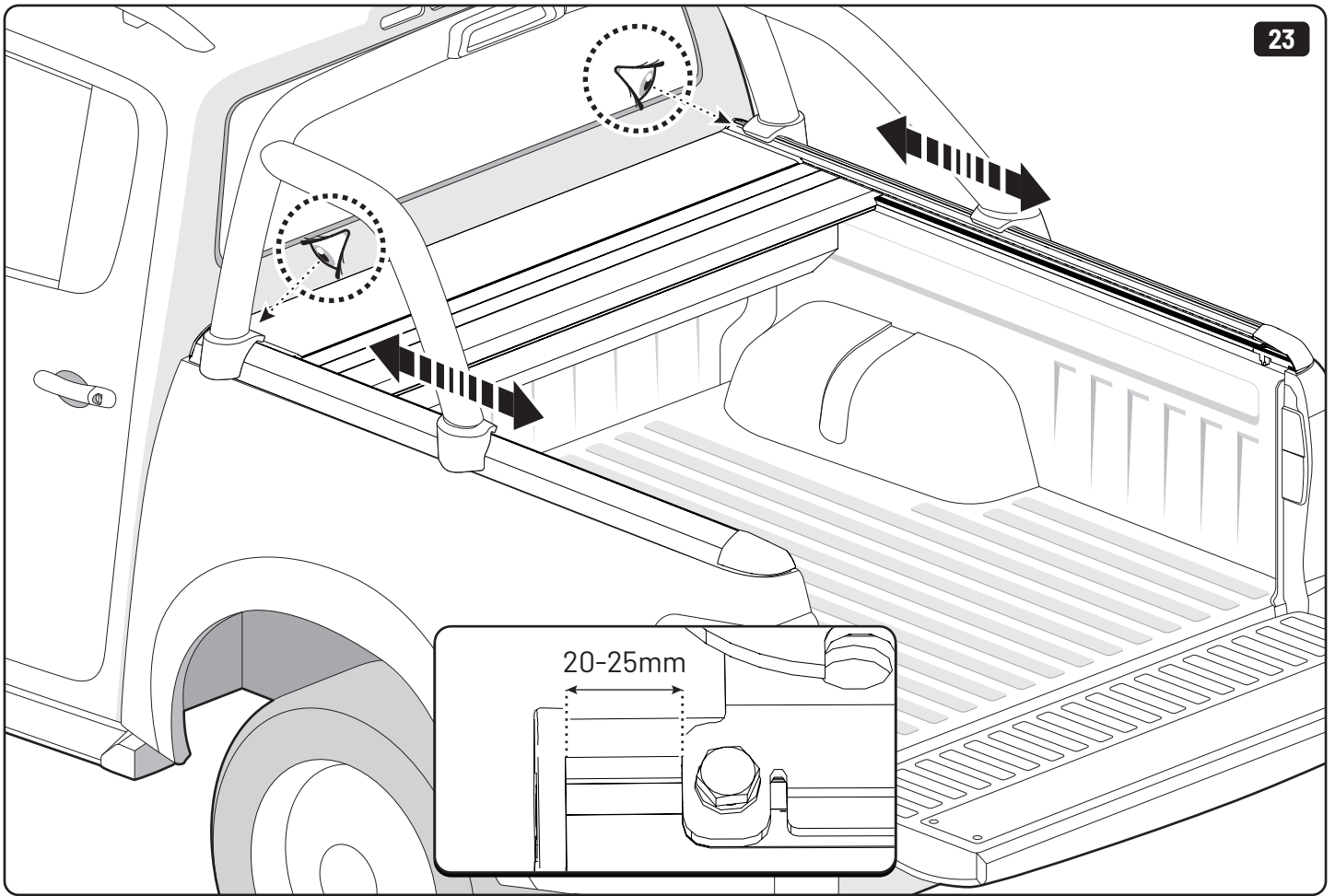
16



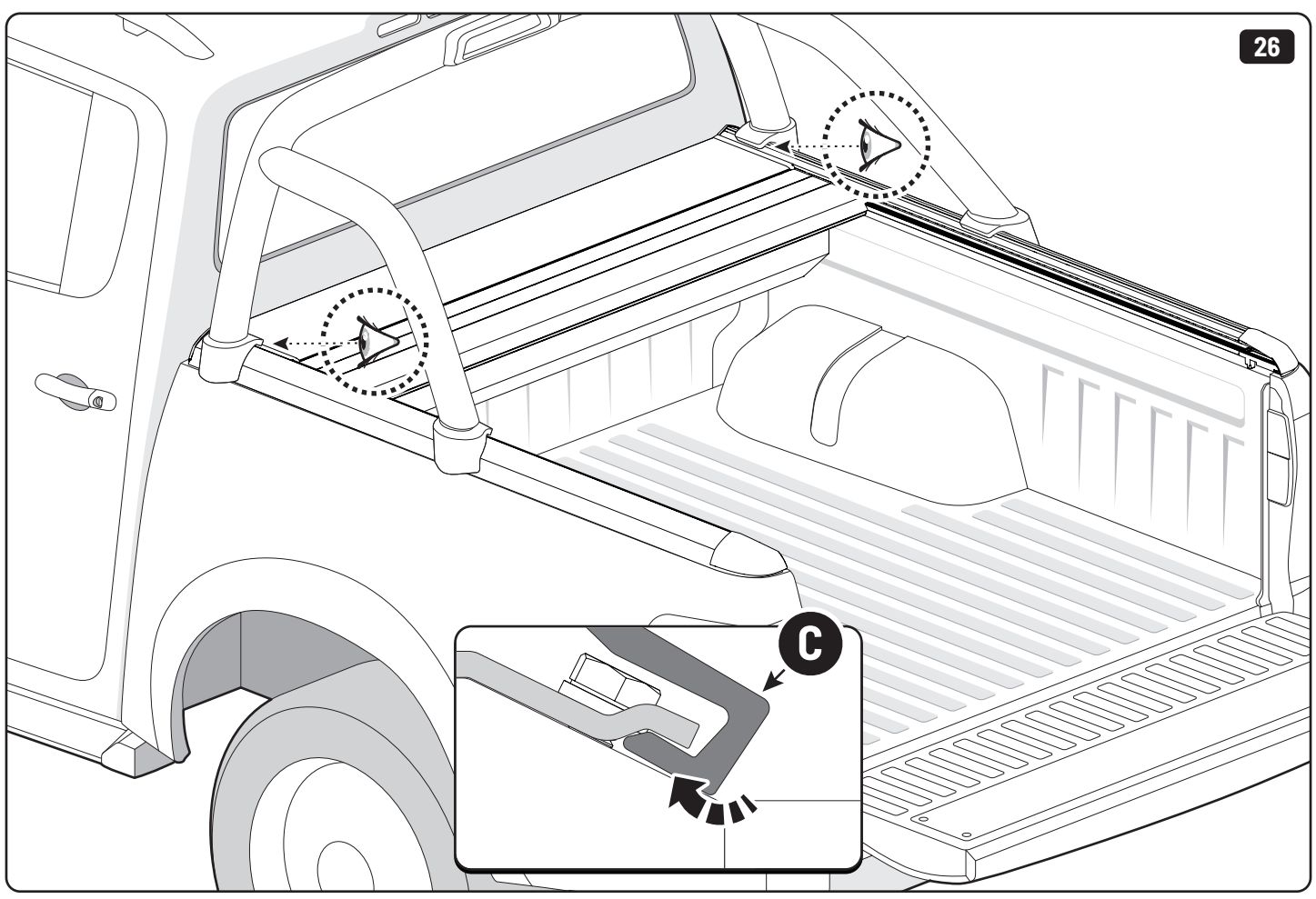
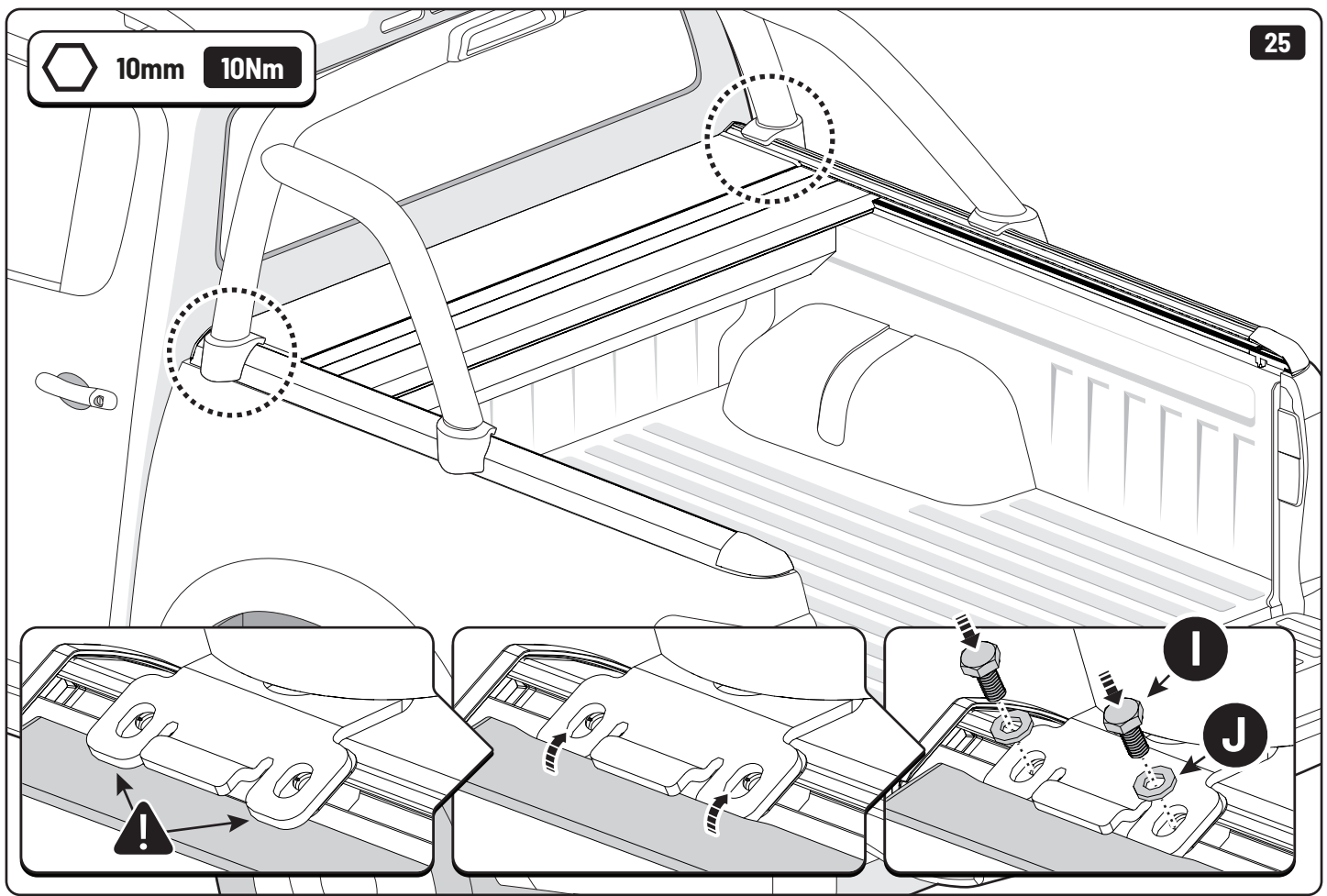


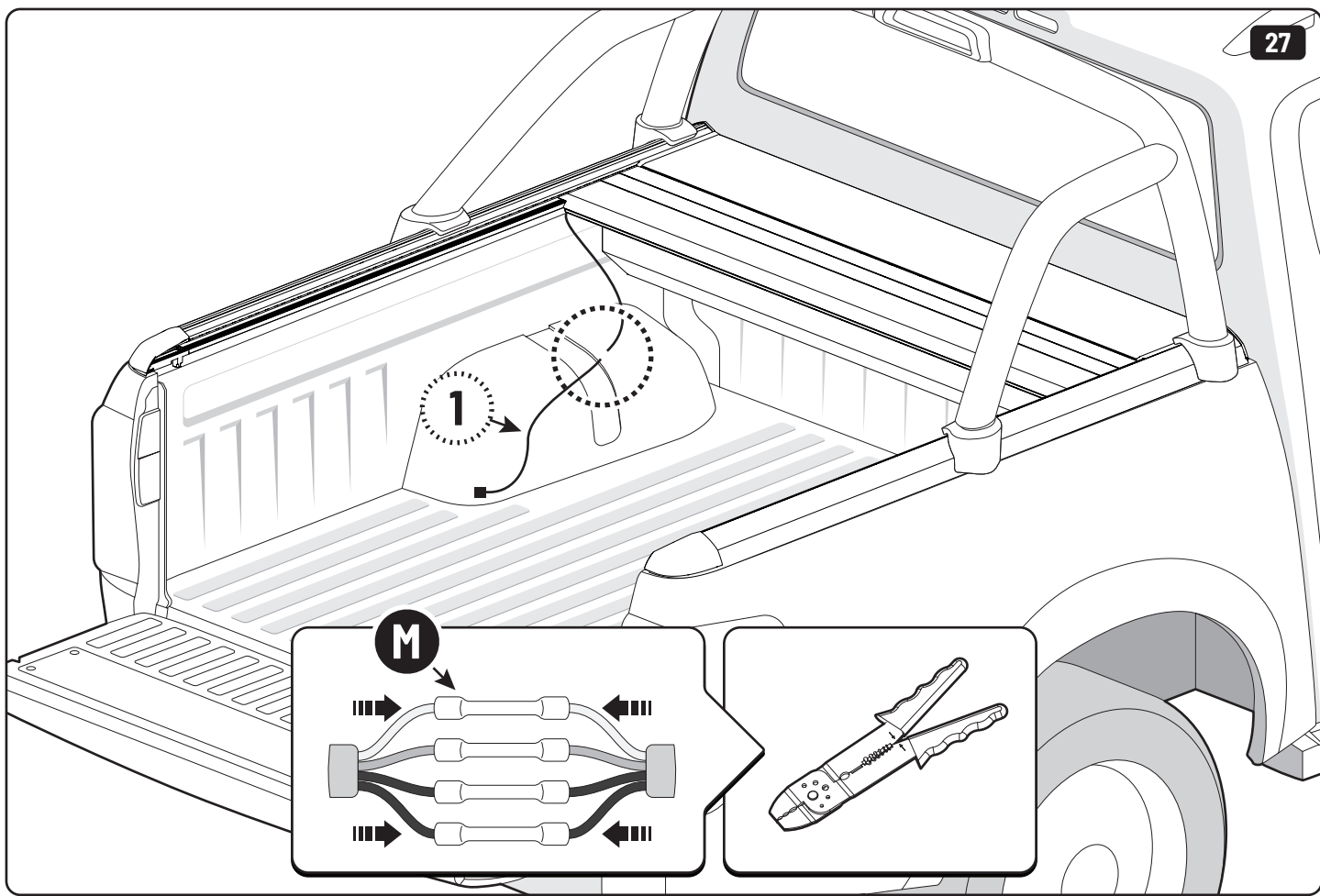




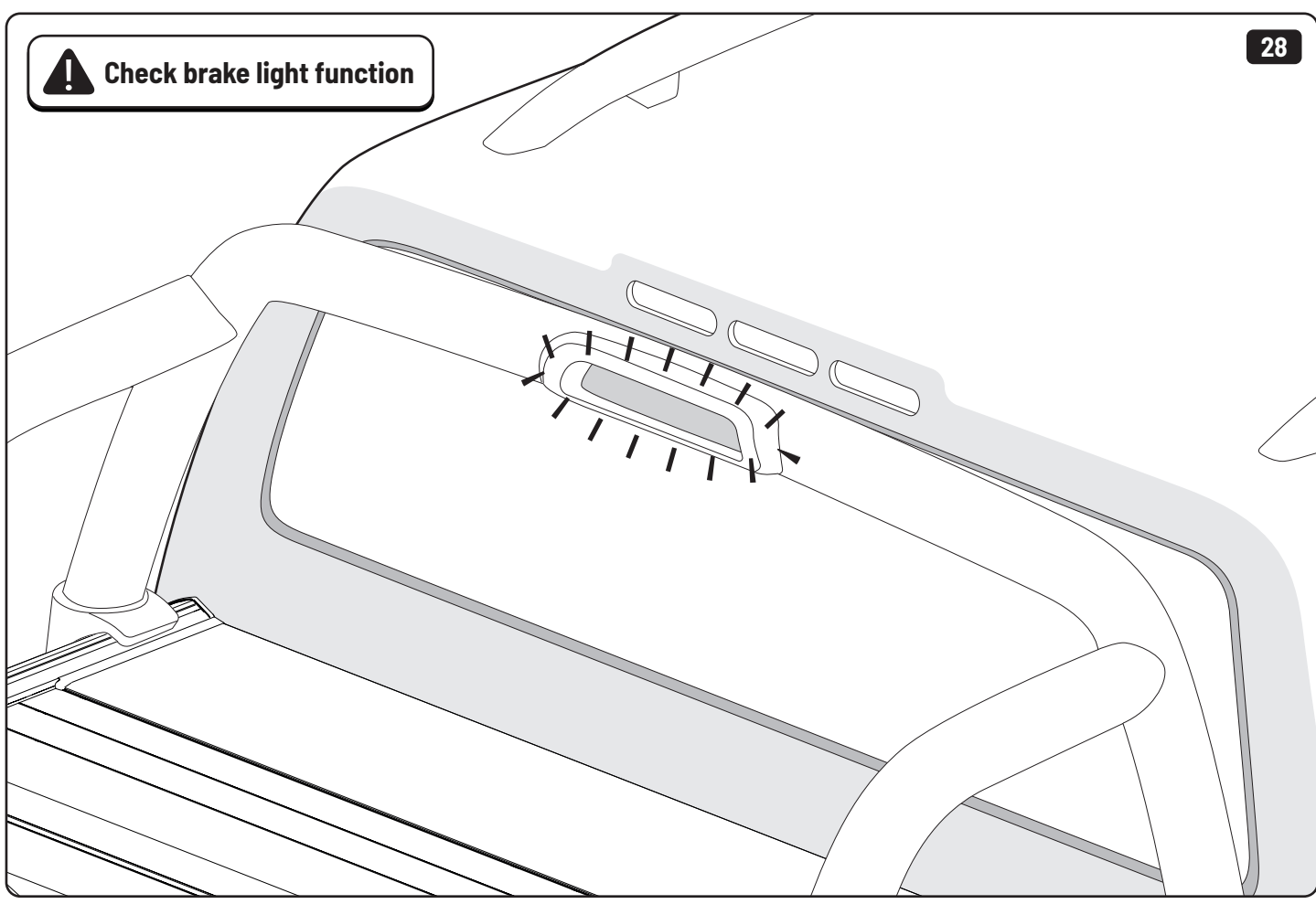


10mm 10Nm





 **Check brake light function**





Customer Service +45 4810 2950 (08:00 - 16:00 CET)
Support info@mountaintop.dk
Website www.mountaintop.dk
Address Pedersholmparken 10, 3600 Frederikssund, Denmark

Part number (s)	Model / Year	Cab type (s)	Installation time	Weight
SBE 0004	Ranger / 2012 ->	Double / Extra	1 hour (s)	1.2 kg

GB Installation manual	S Monteringsanvisning	D Einbauanleitung
SF Asennusohje	E Instrucciones de montaje	CZ Návod k instalaci
F Notice de montage	H Szerelési utasítás	I Istruzioni di montaggio
PL Instrukcja montażu	P Instruções de instalação	GR Οδηγίες Εγκατάστασης
NL Installatie-instructies	RUS Инструкция по установке	DK Monteringsvejledning
TR Montaj Talimatı	N Monteringsveiledning	RO Instructiuni de instalare