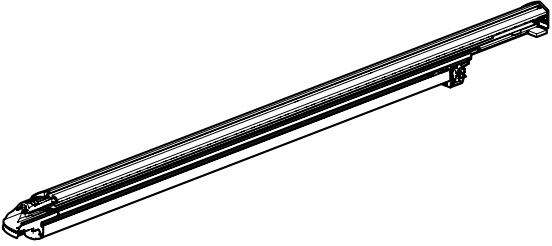
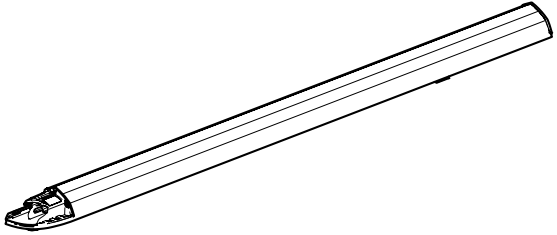
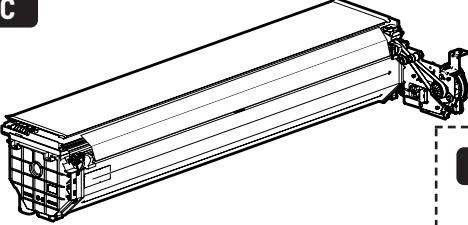

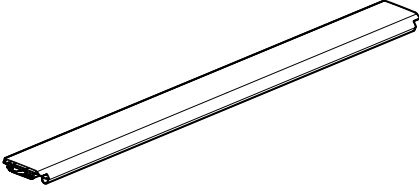



## REALTRUCK<sup>®</sup> ERC-3000

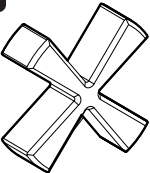
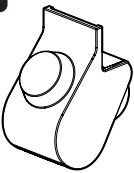

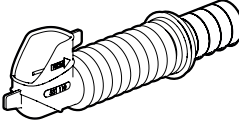
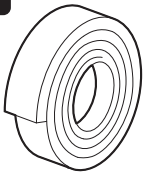
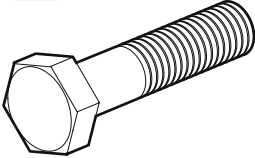
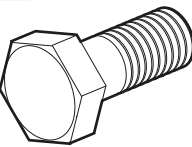

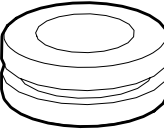
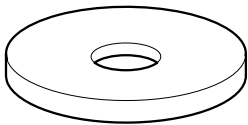
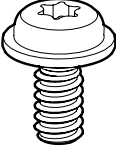
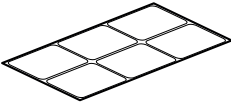
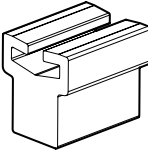
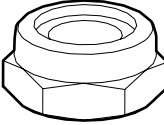

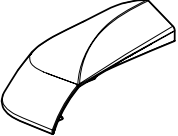
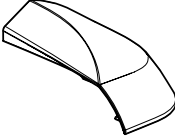
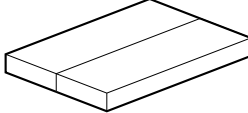
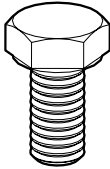
Installation manual

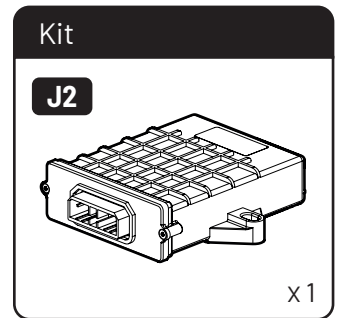
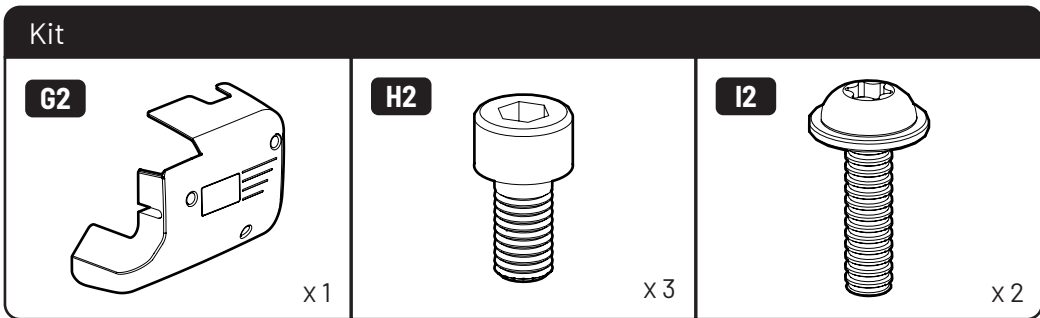
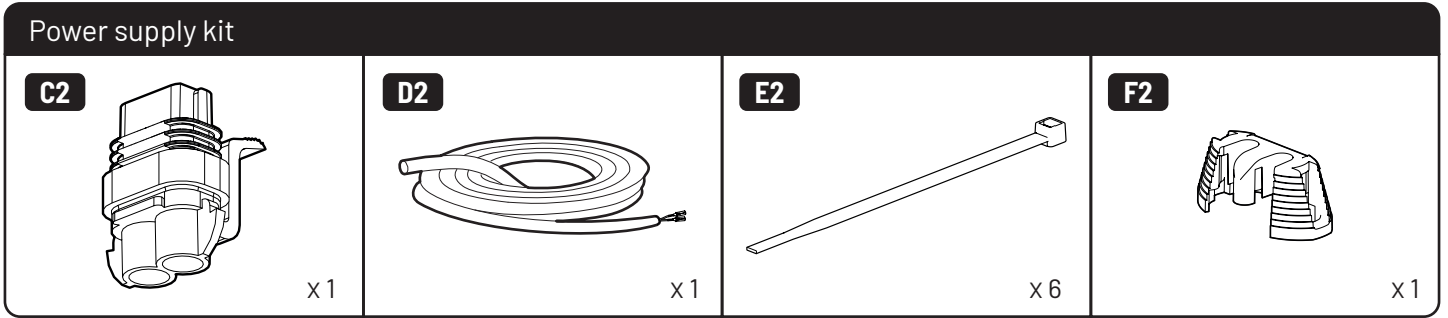
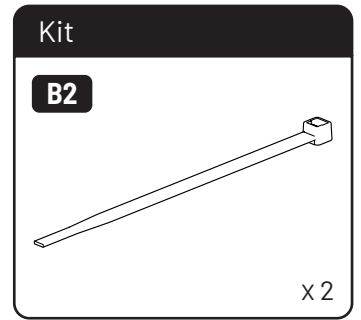
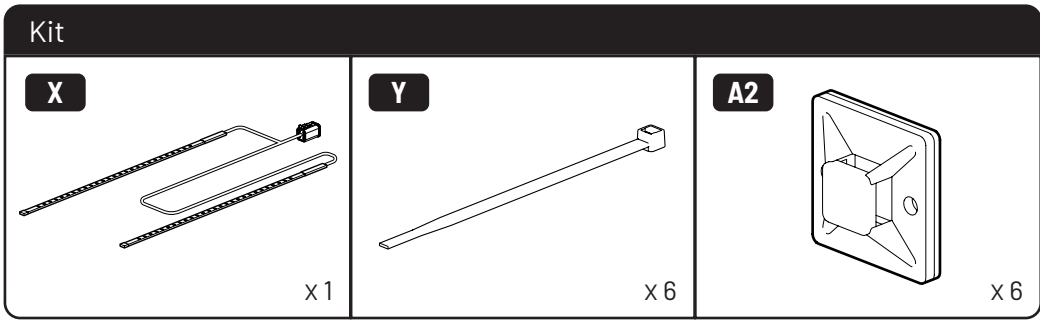


Parts

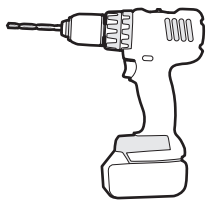
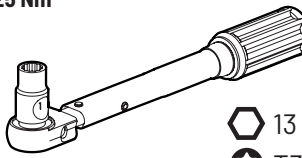




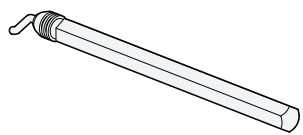
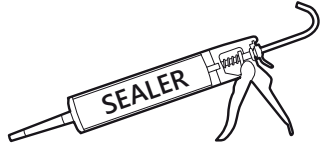
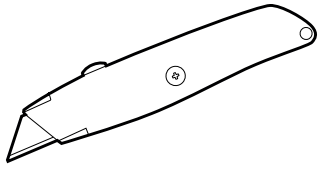
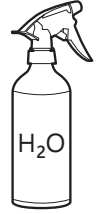
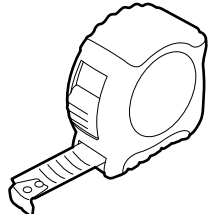



<b>A</b>		x1	<b>B</b>		x1						
<b>C</b>		x1	<b>K2</b>		x2	<b>D</b>		x1	<b>L2</b>		x1

Kit

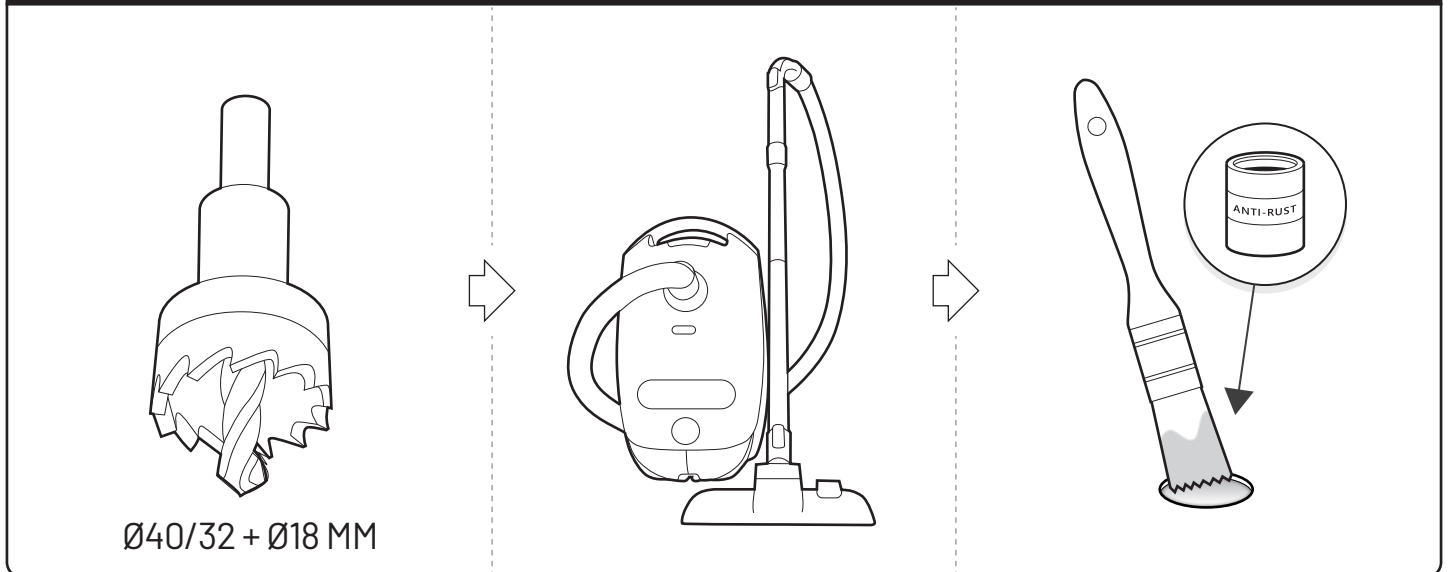
<b>E</b>		x2	<b>F</b>		x6	<b>G</b>		x6	<b>H</b>		x2	<b>I</b>		x1		
<b>J</b>		M8x45	x6	<b>K</b>		M8x10	x6	<b>L</b>		x6	<b>M</b>		x1	<b>N</b>		x12
<b>O</b>		x4	<b>P</b>		x1	<b>Q</b>		x1	<b>R</b>		x6	<b>S</b>		x2		
<b>T</b>		x1	<b>U</b>		x1	<b>V</b>		x1	<b>W</b>		x1					



## Tools needed

 <p>Ø3.5MM</p>	<p>1- 25 Nm</p>  <ul style="list-style-type: none"> <li> 13 mm</li> <li> T30</li> <li> 4 mm</li> </ul>	 <p>Rust protection Rostschutzmittel Anti-rouille Anti roest</p>	
			
			

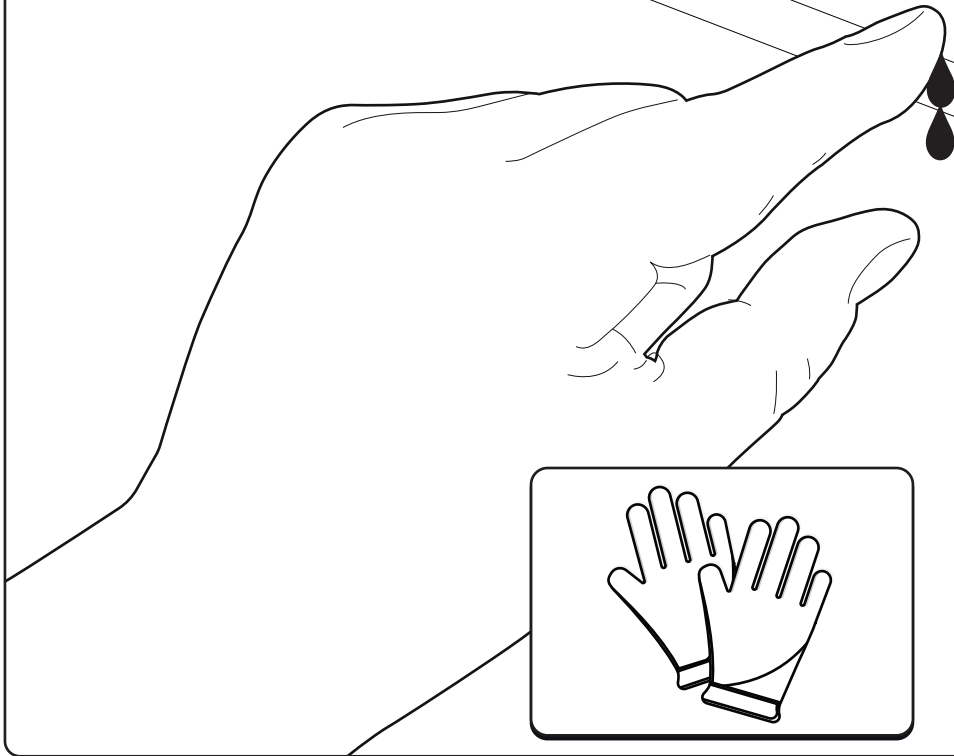
## Applying rust protection



Sharp edge

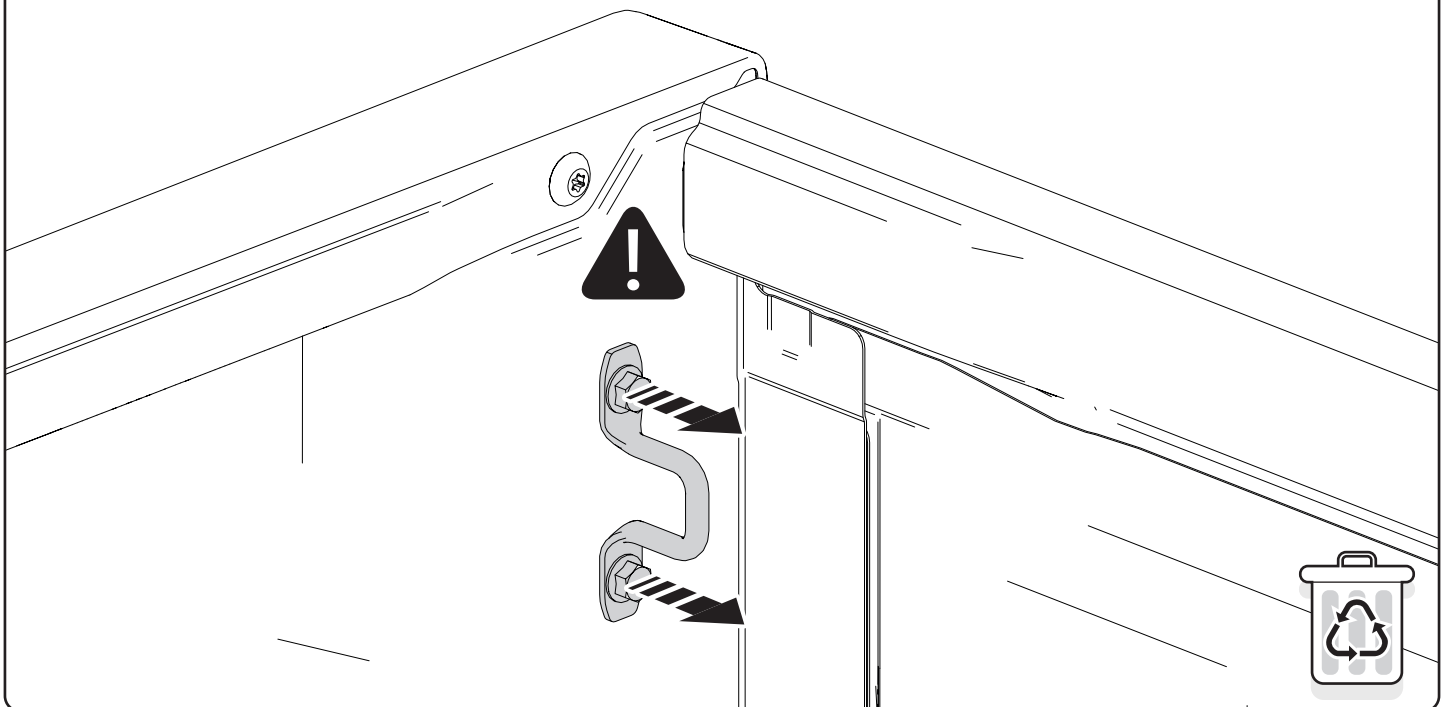


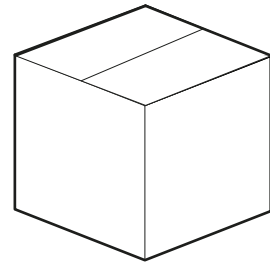
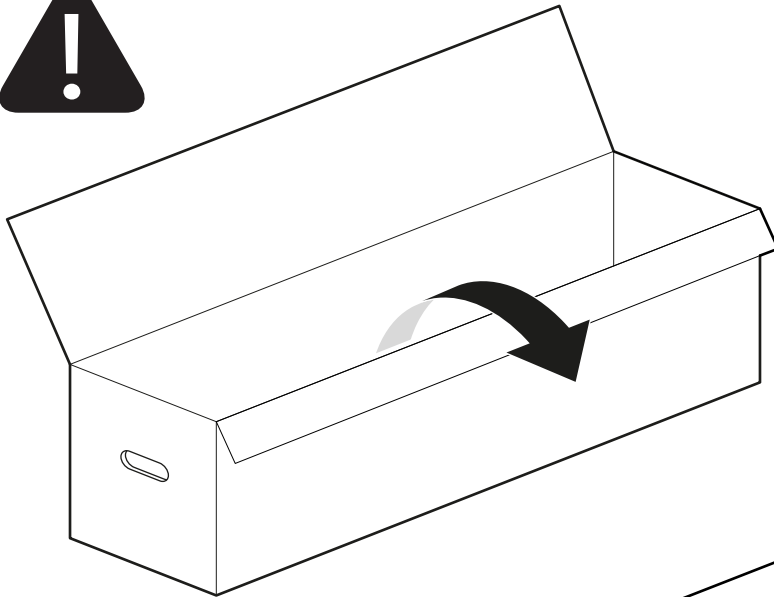
1



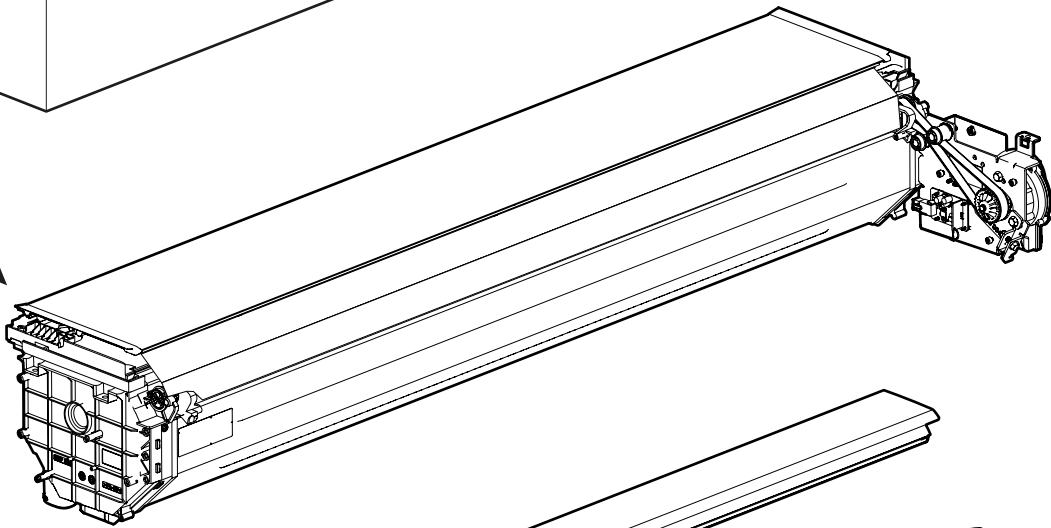
Isuzu 10+11

2

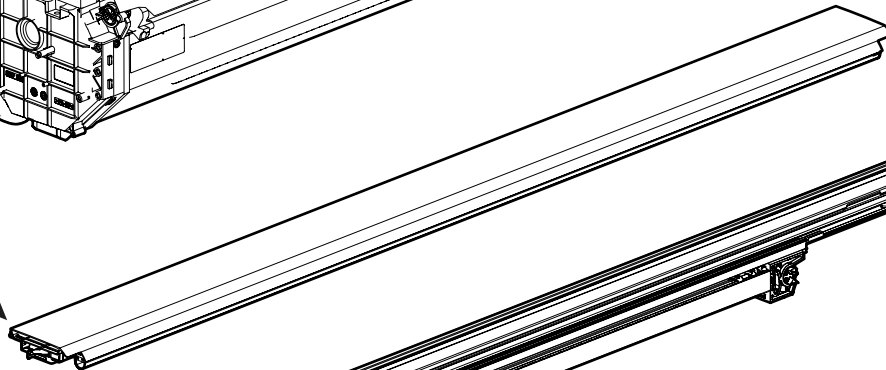




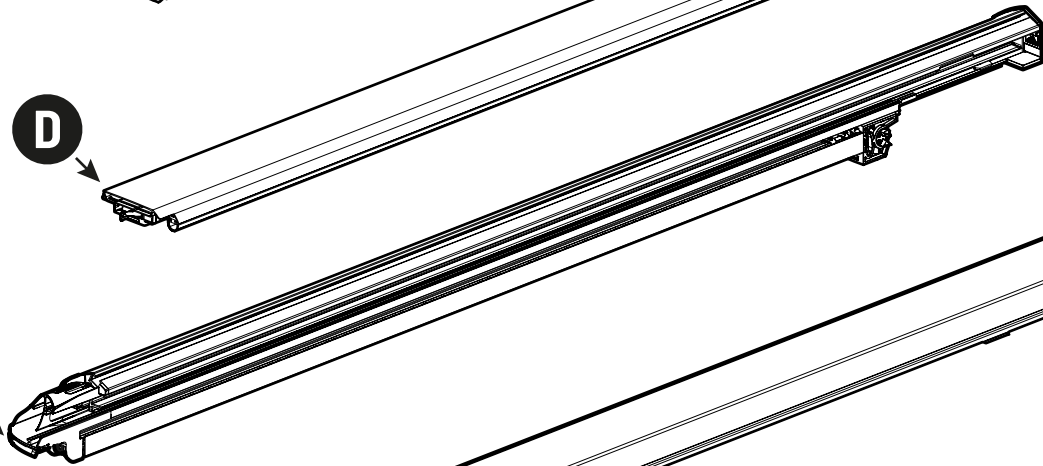
**C**



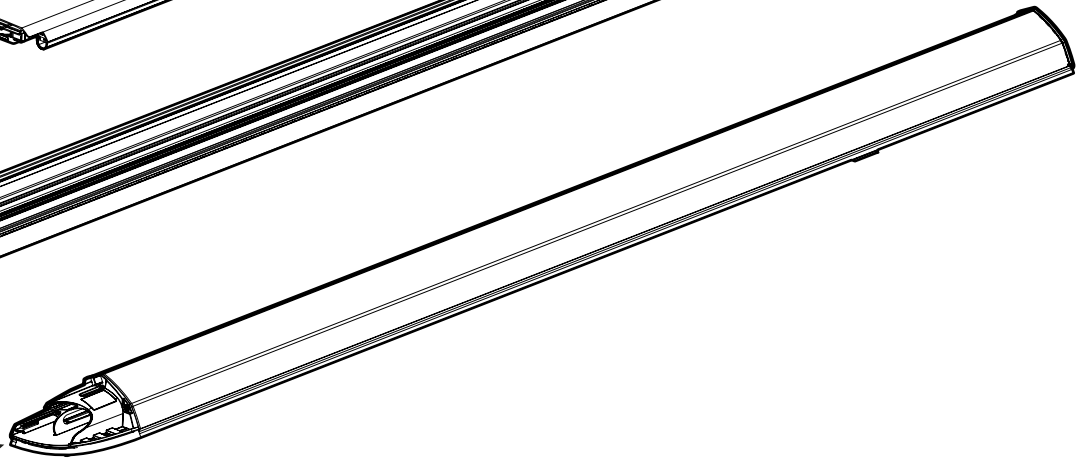
**D**



**A**



**B**

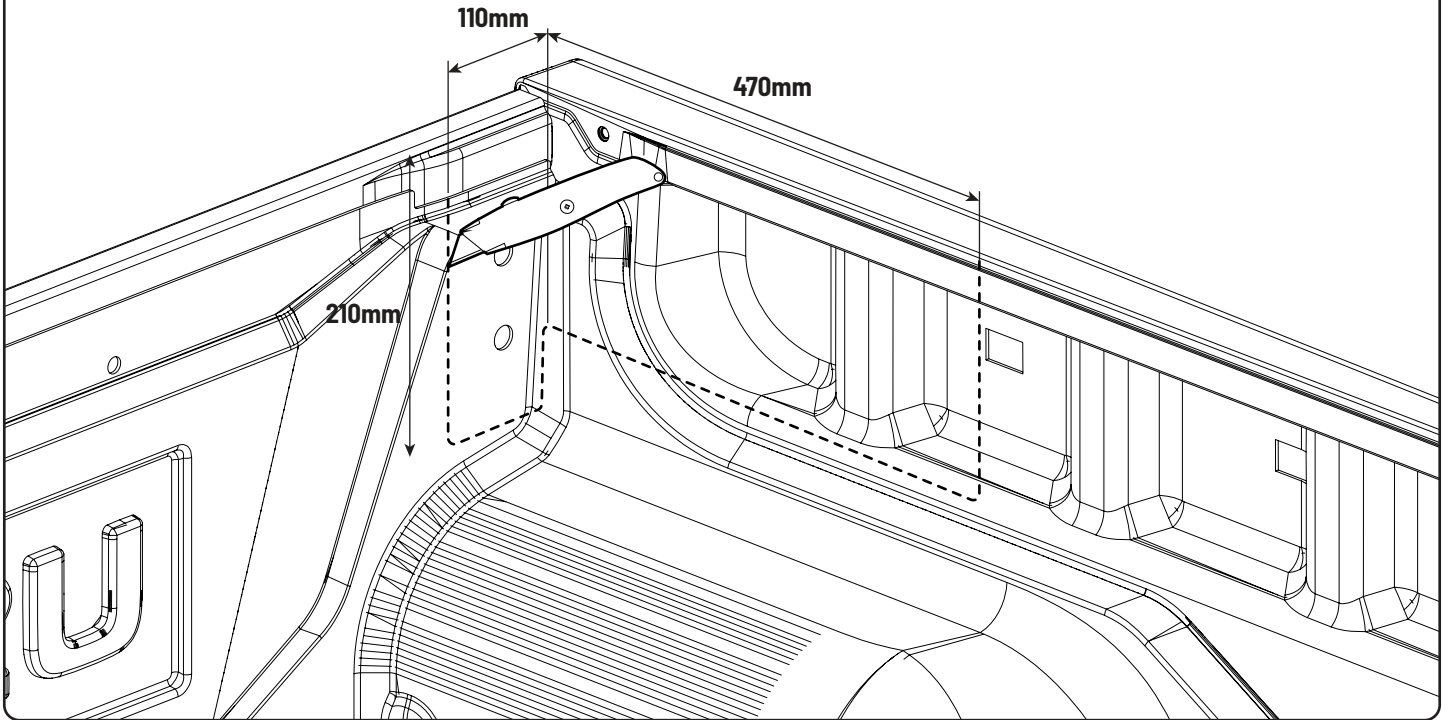




**ONLY FOR IS10 BED LINER**

**4**

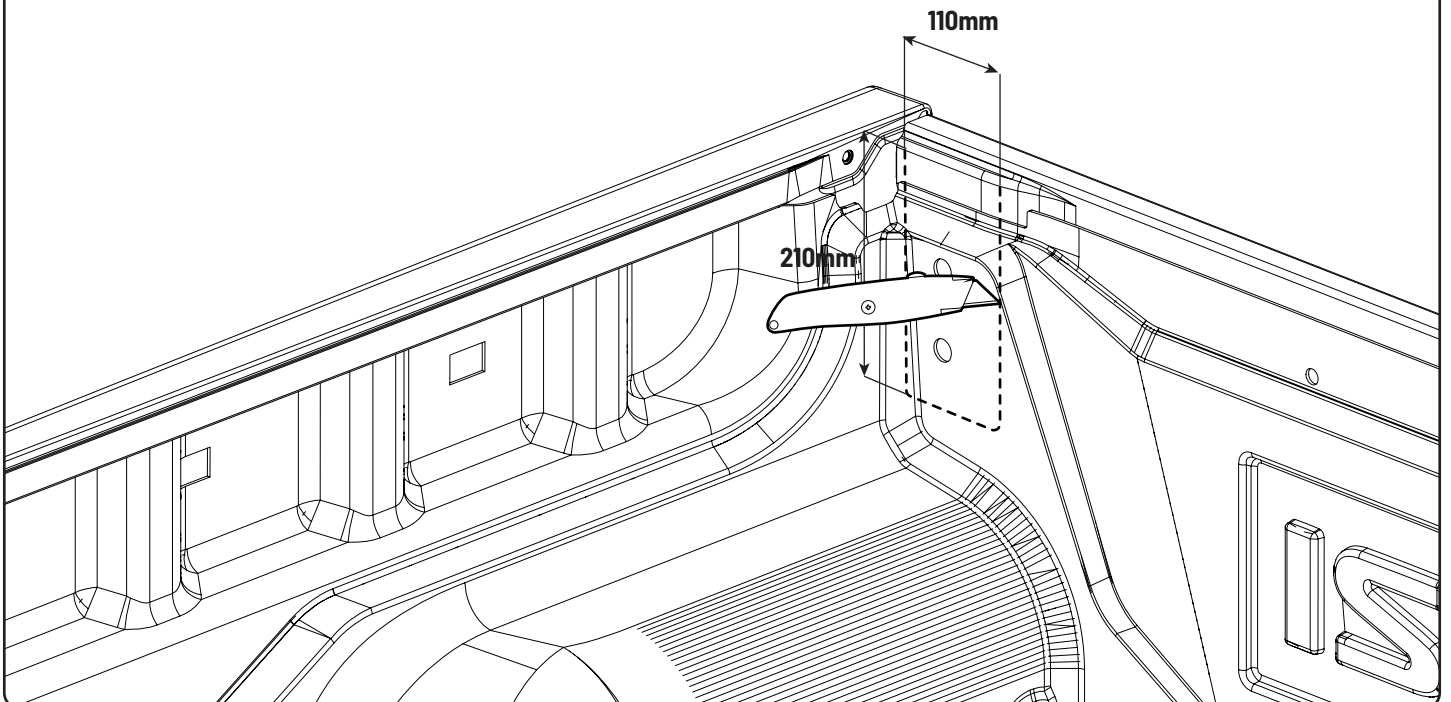
From corner edge - 110mm across  
From corner edge - 210mm down  
470mm from front of tub, along feature line



**ONLY FOR IS10 BED LINER**

**5**

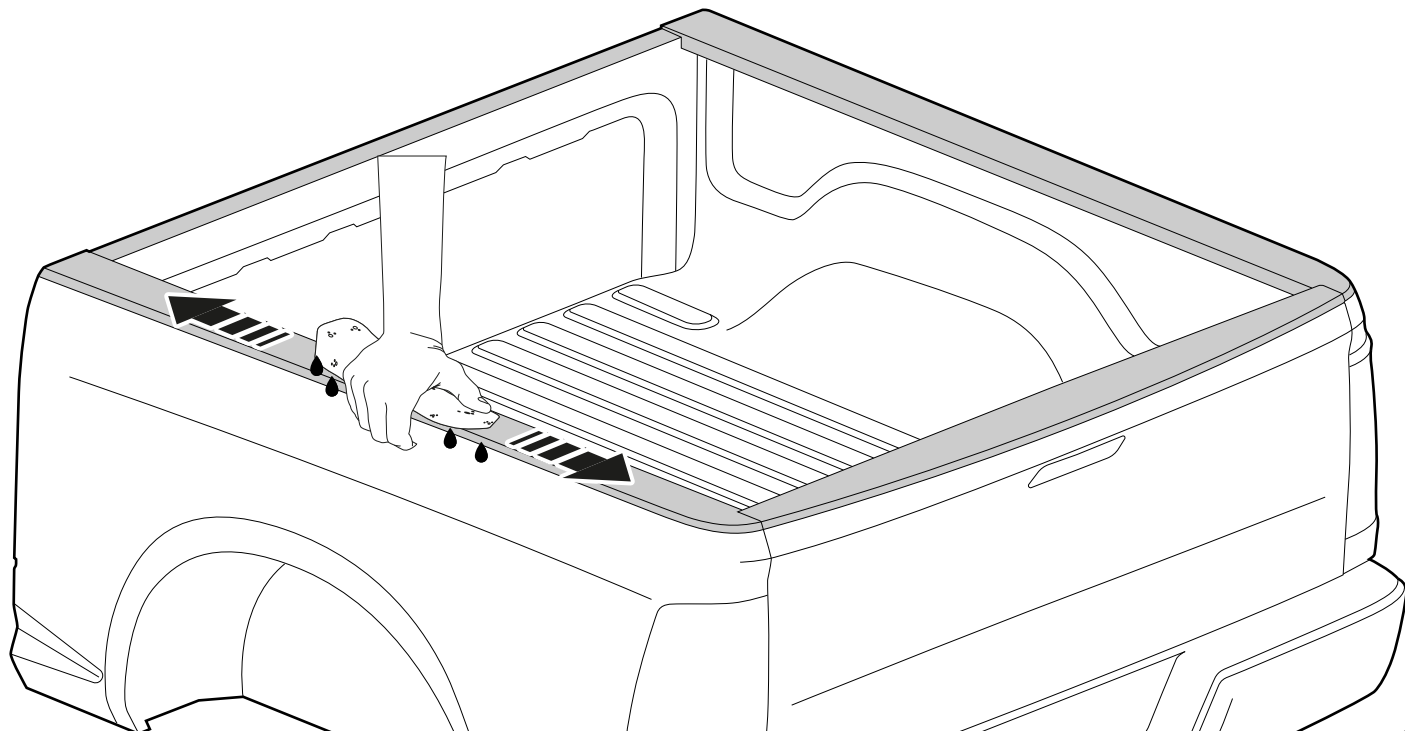
110mm from side wall  
210mm from top edge of liner



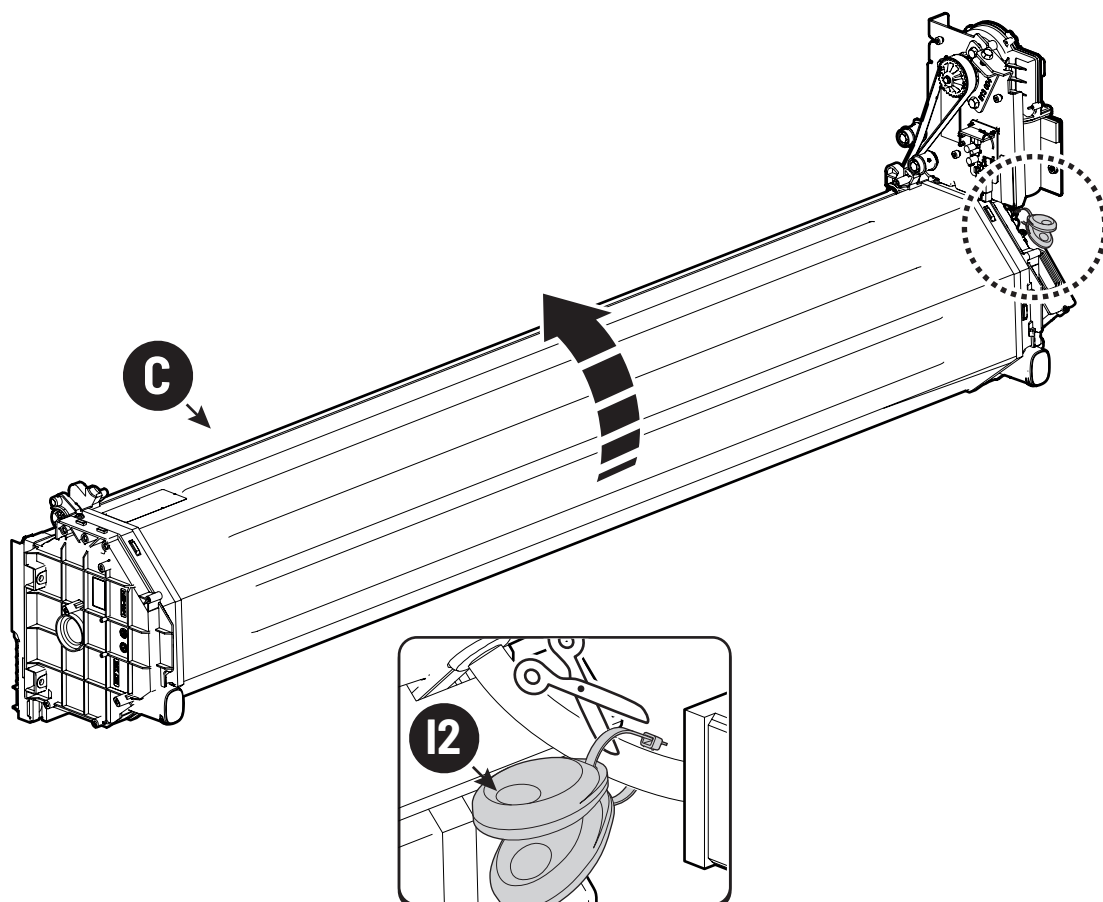


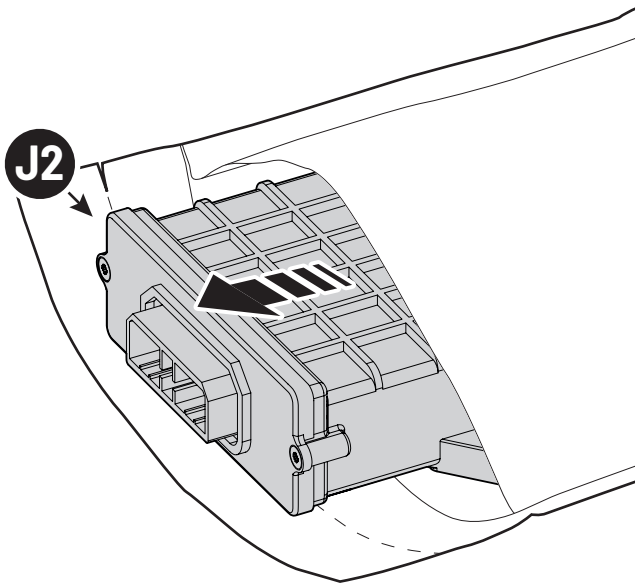
Water & sponge

6

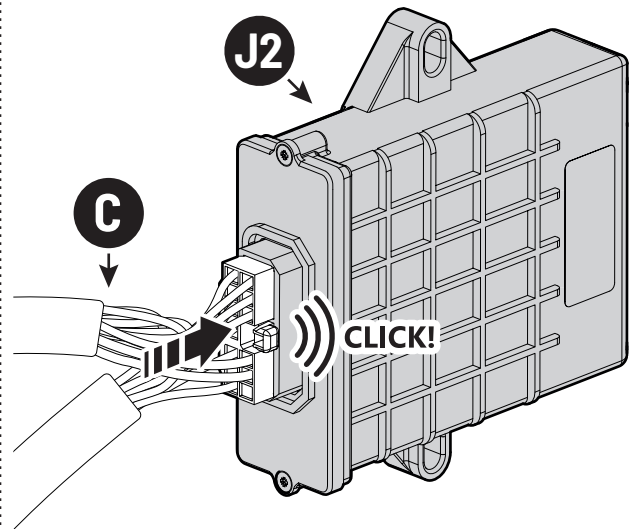


7



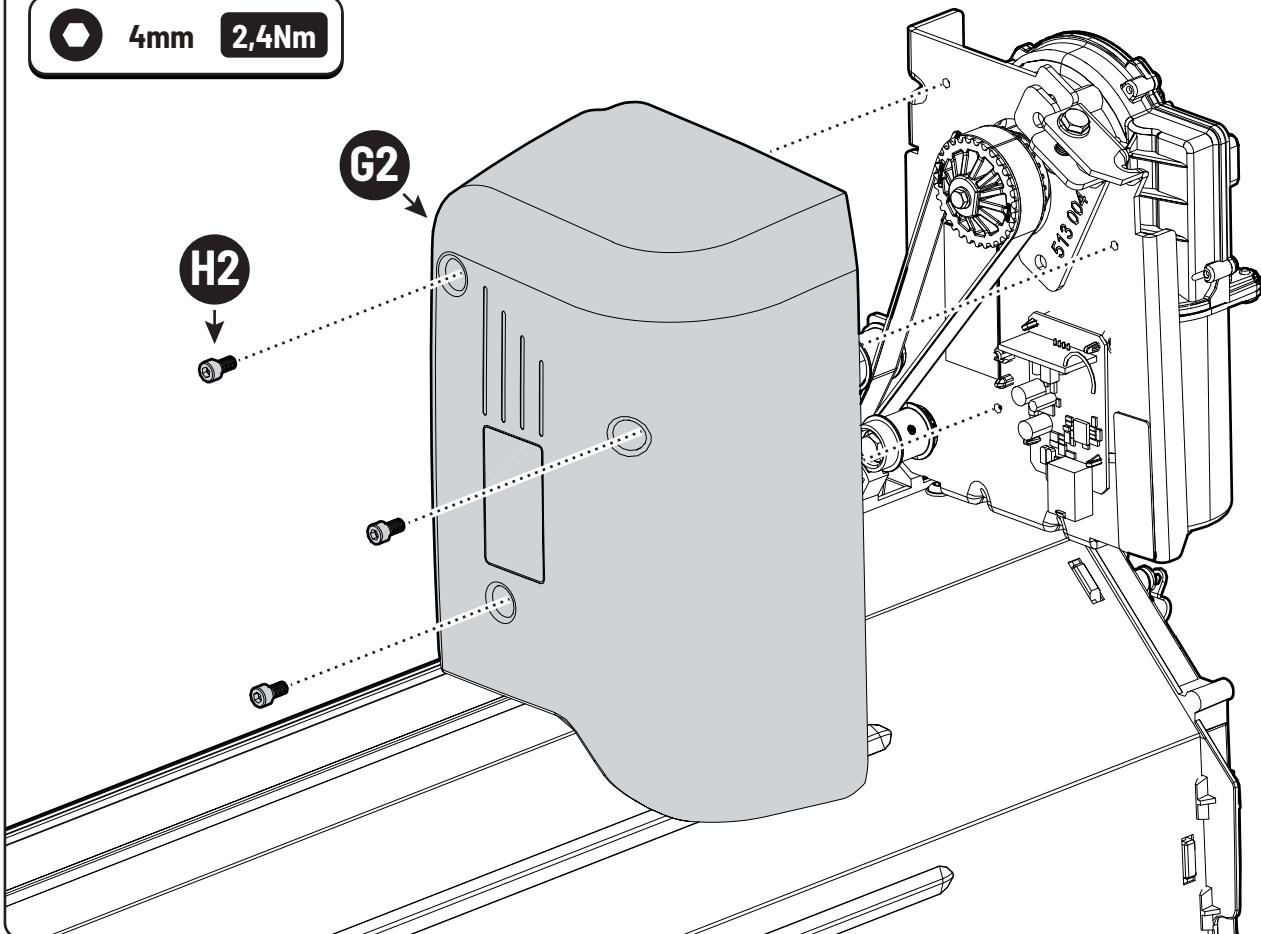


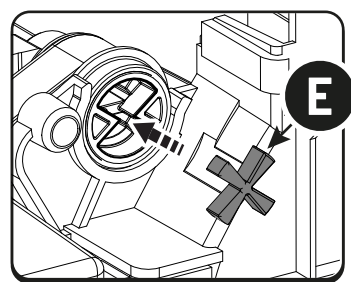
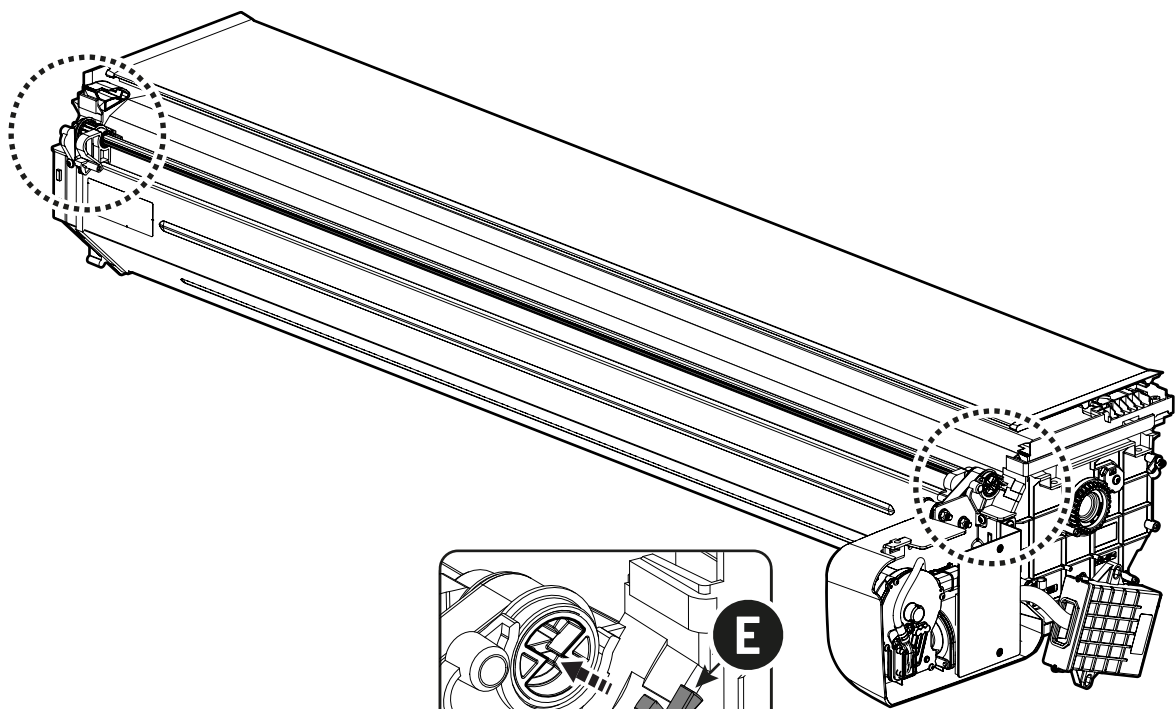
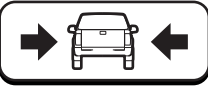
1



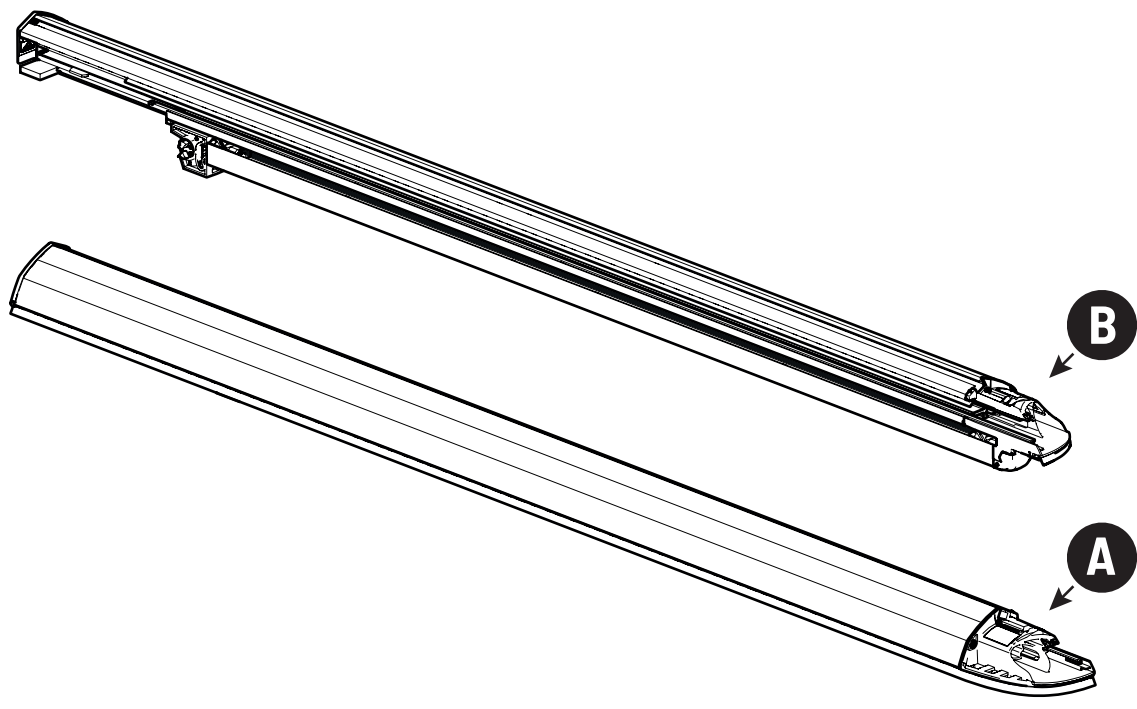
2

4mm 2,4Nm





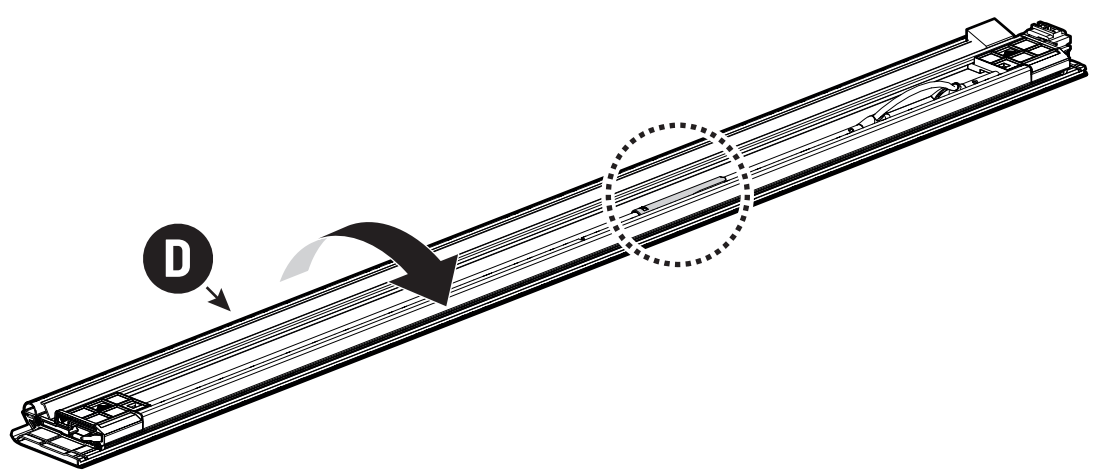
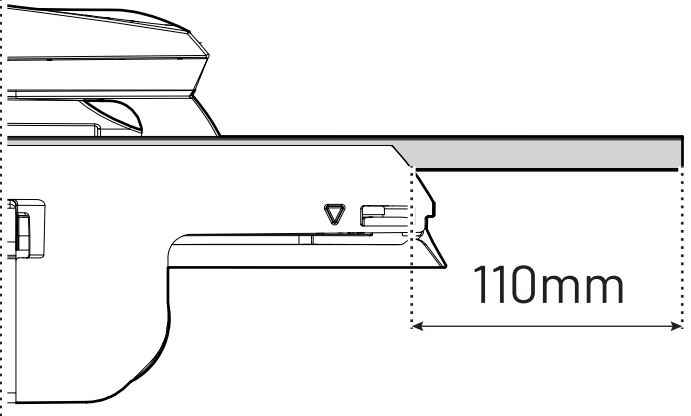
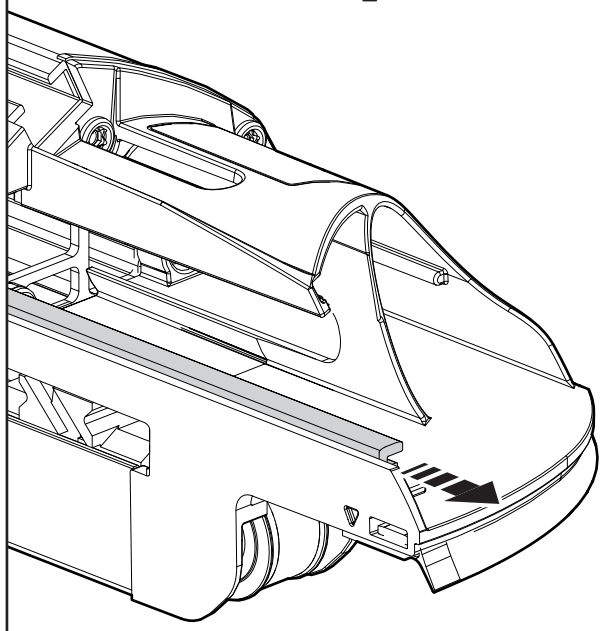
x2



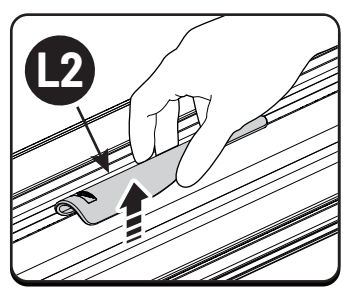


1

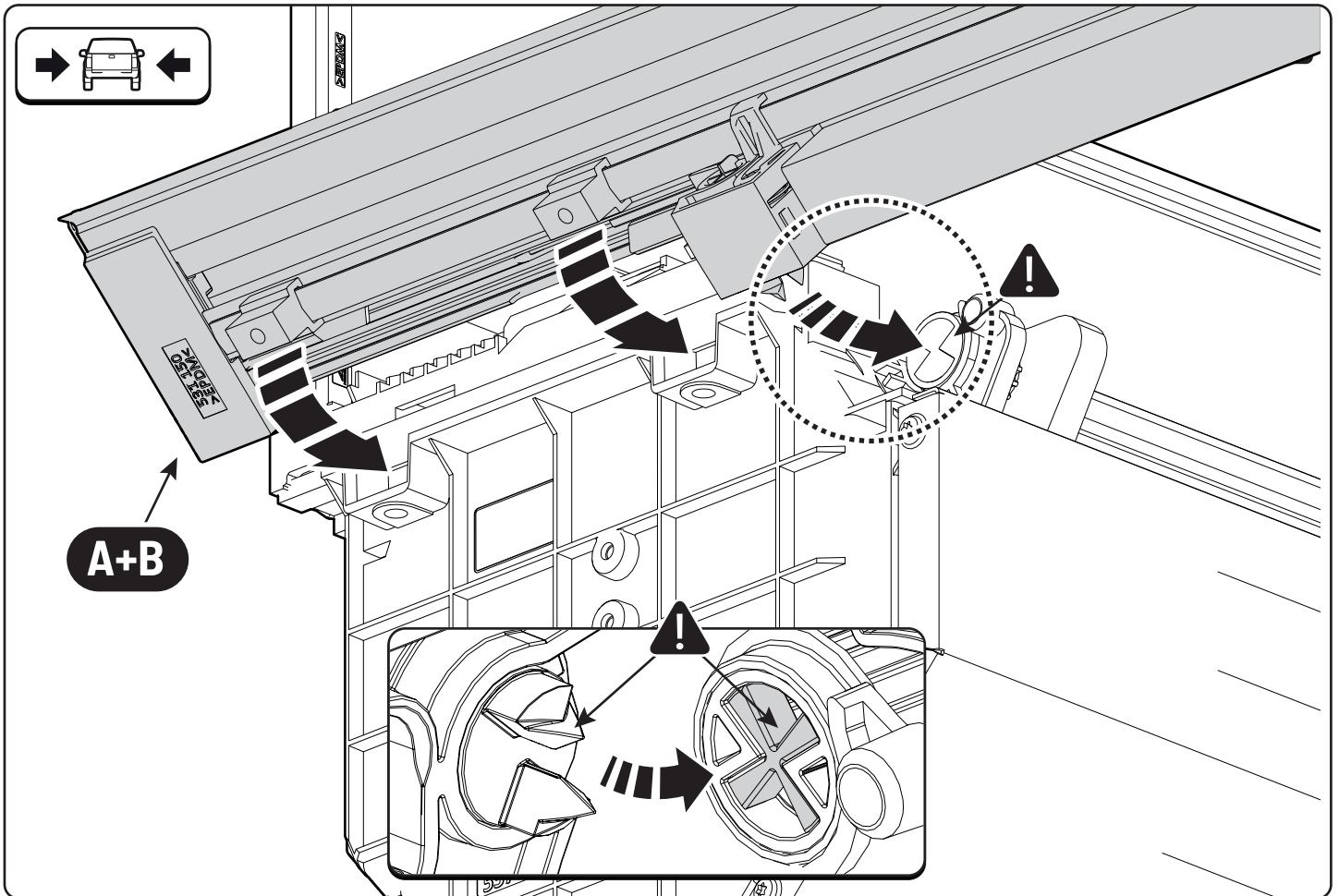
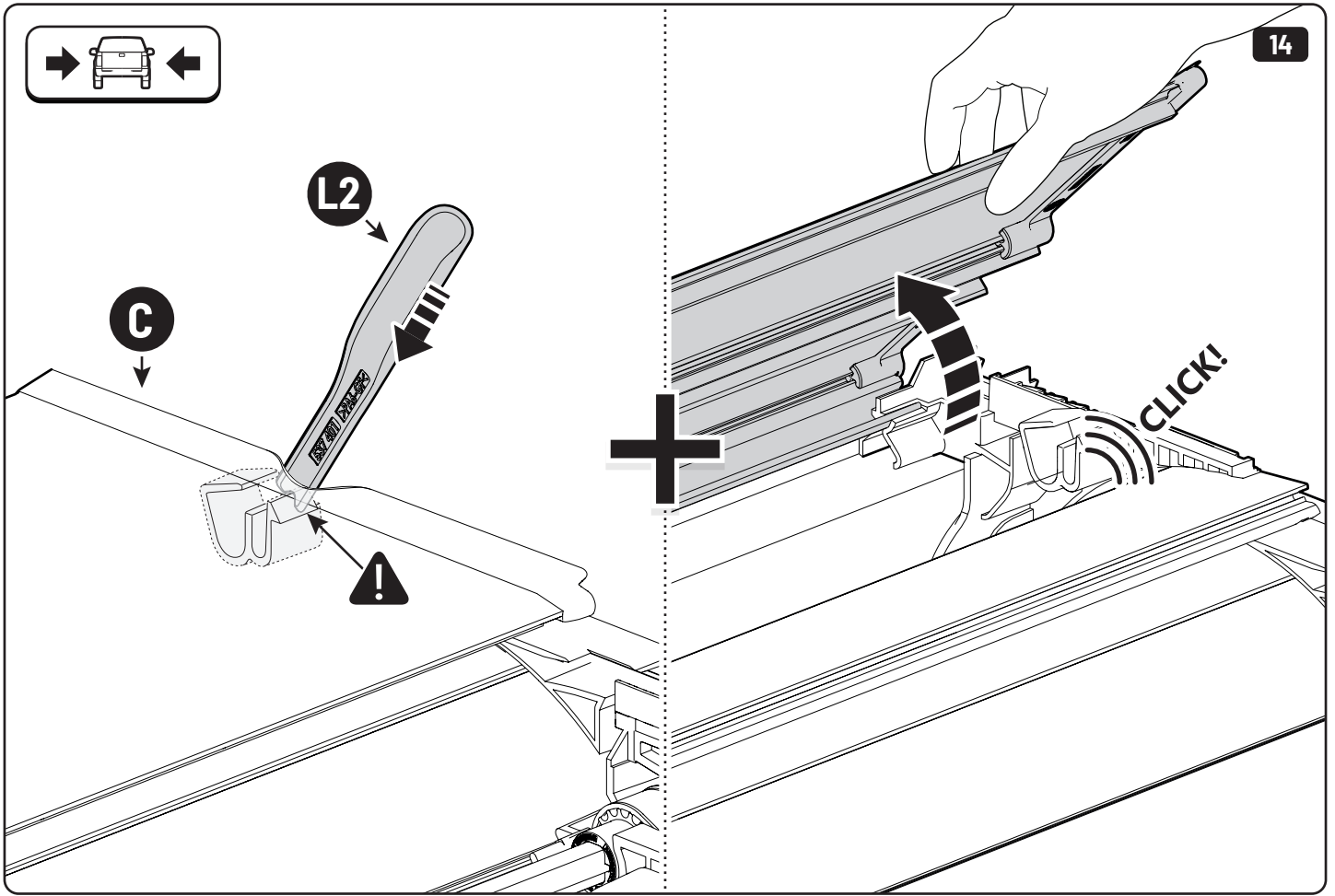
2



D



L2



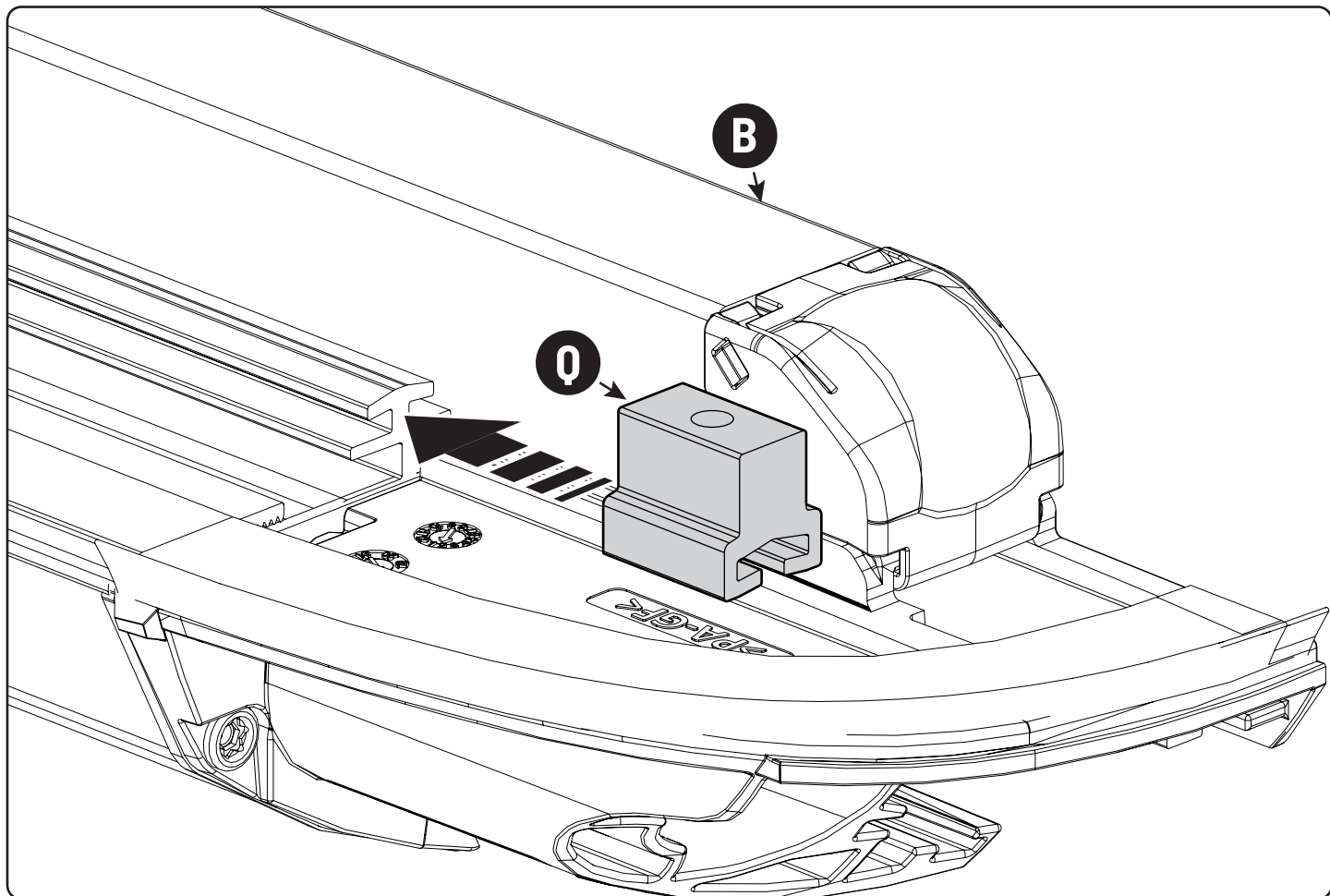
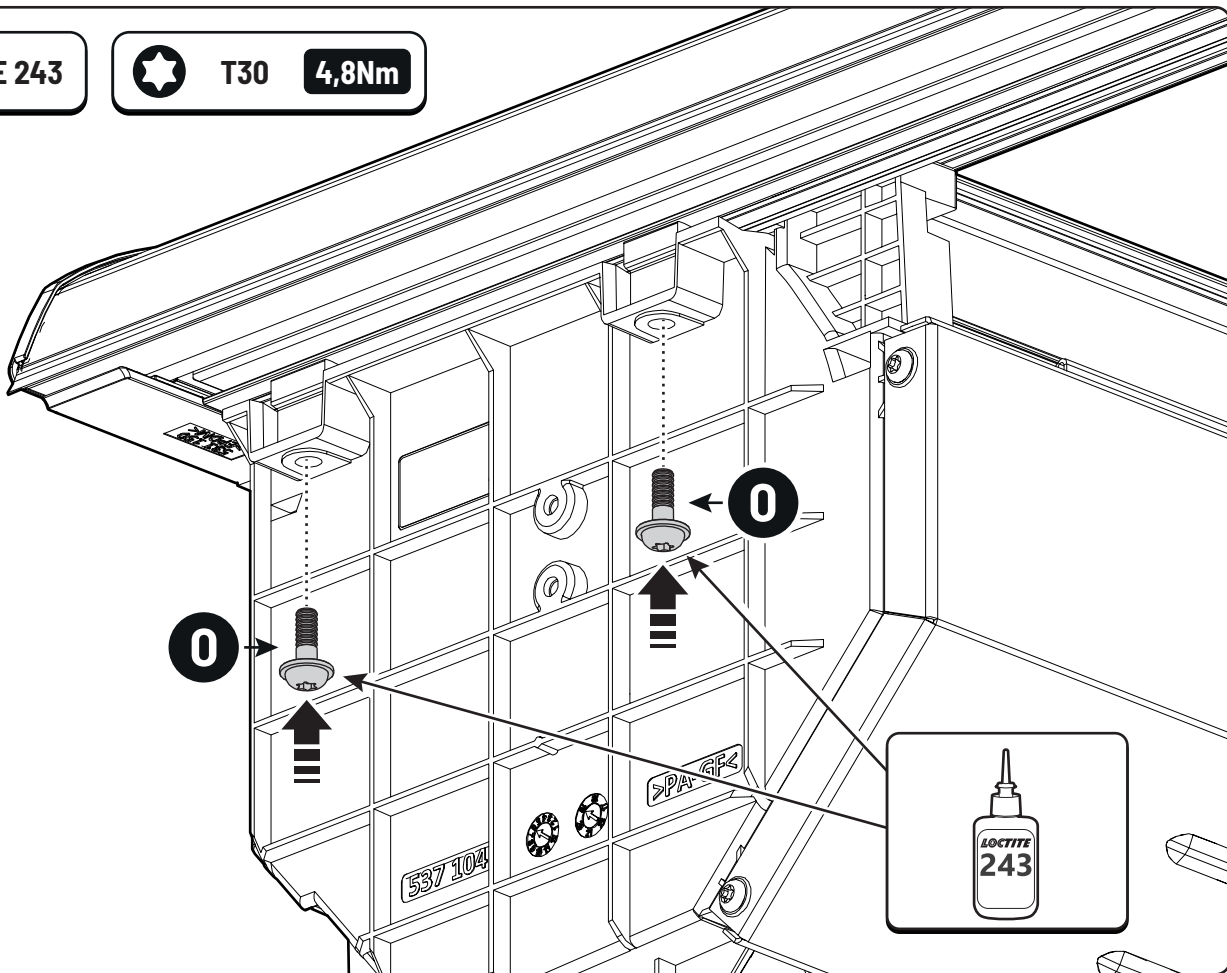


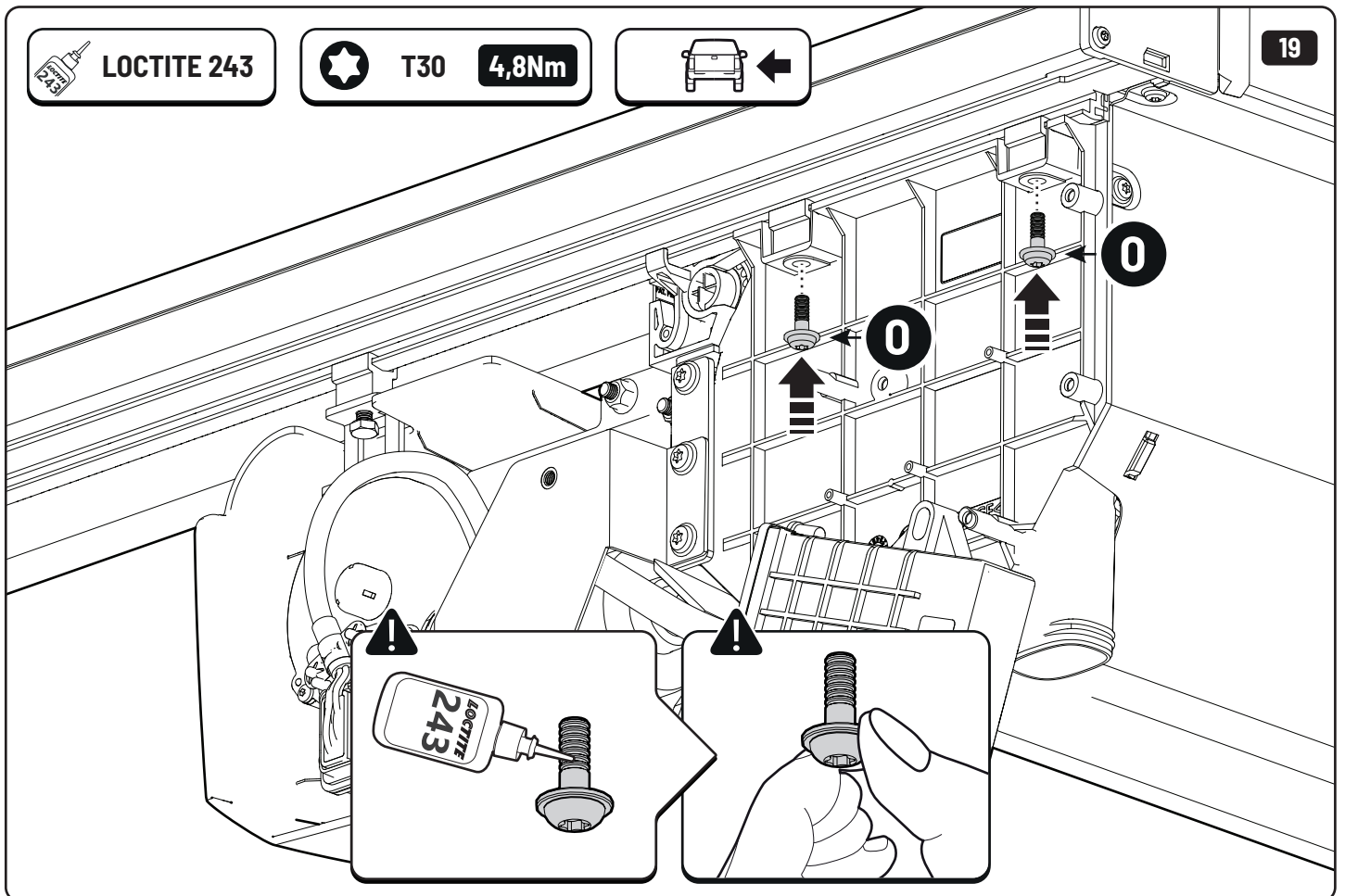
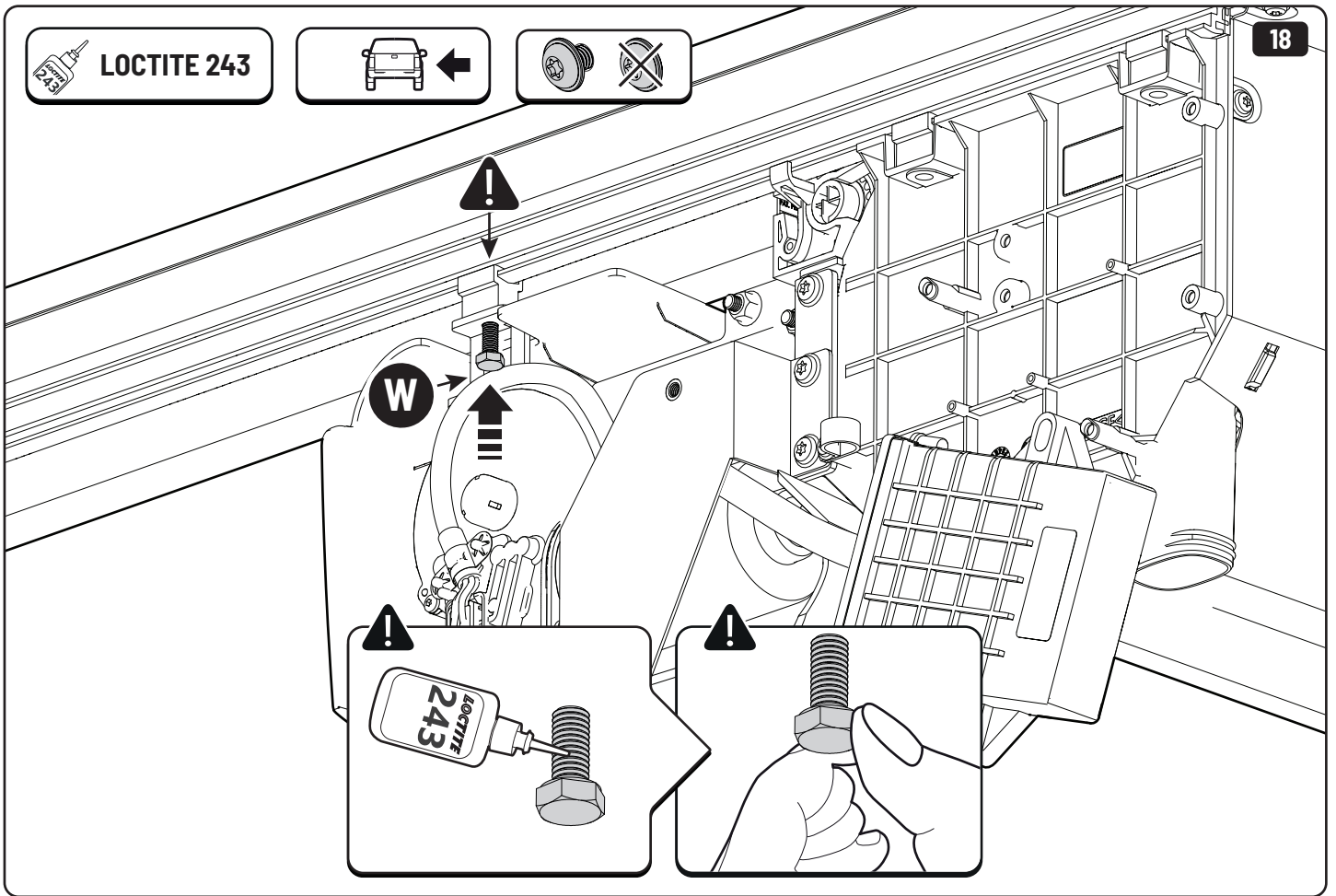
LOCTITE 243

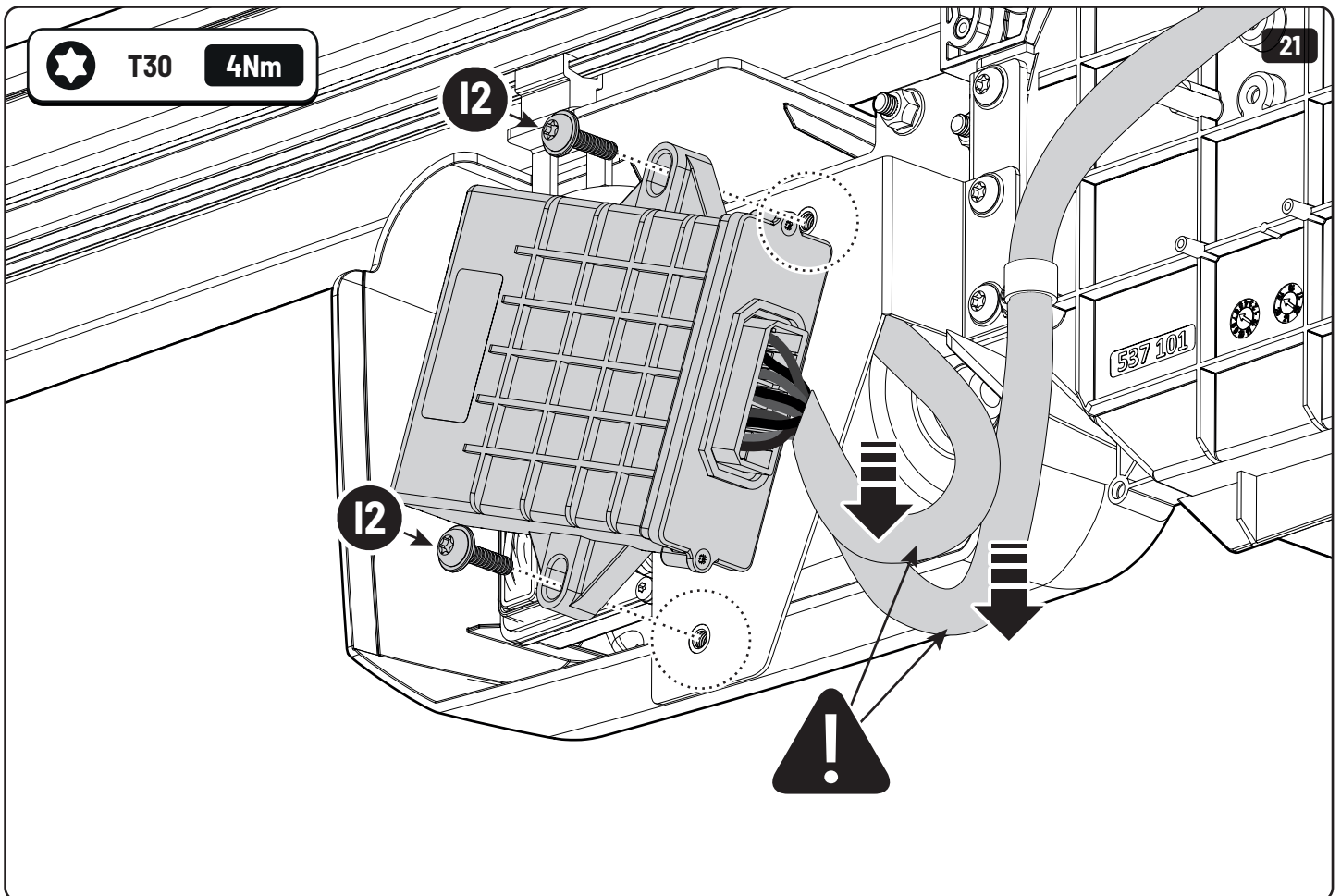
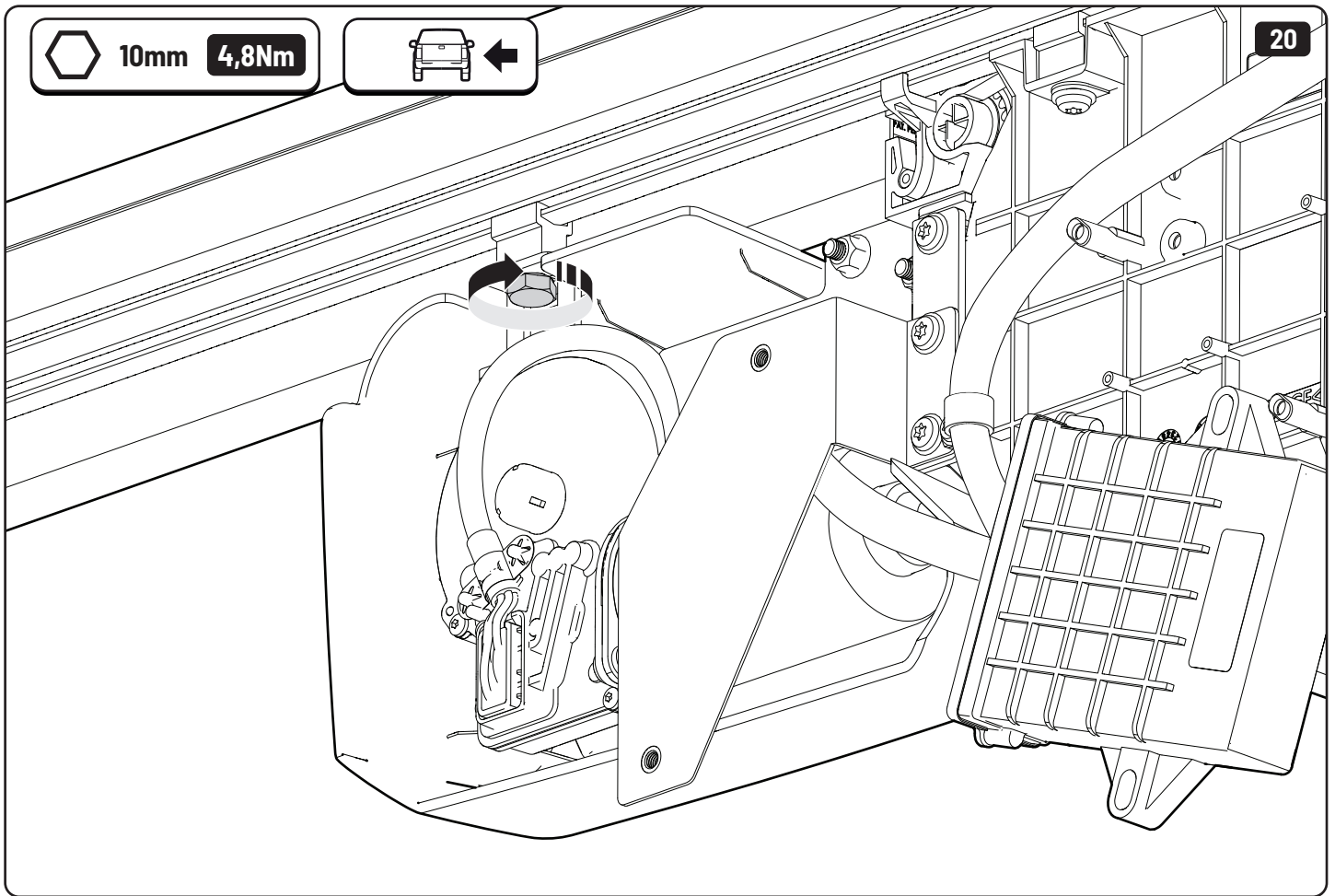


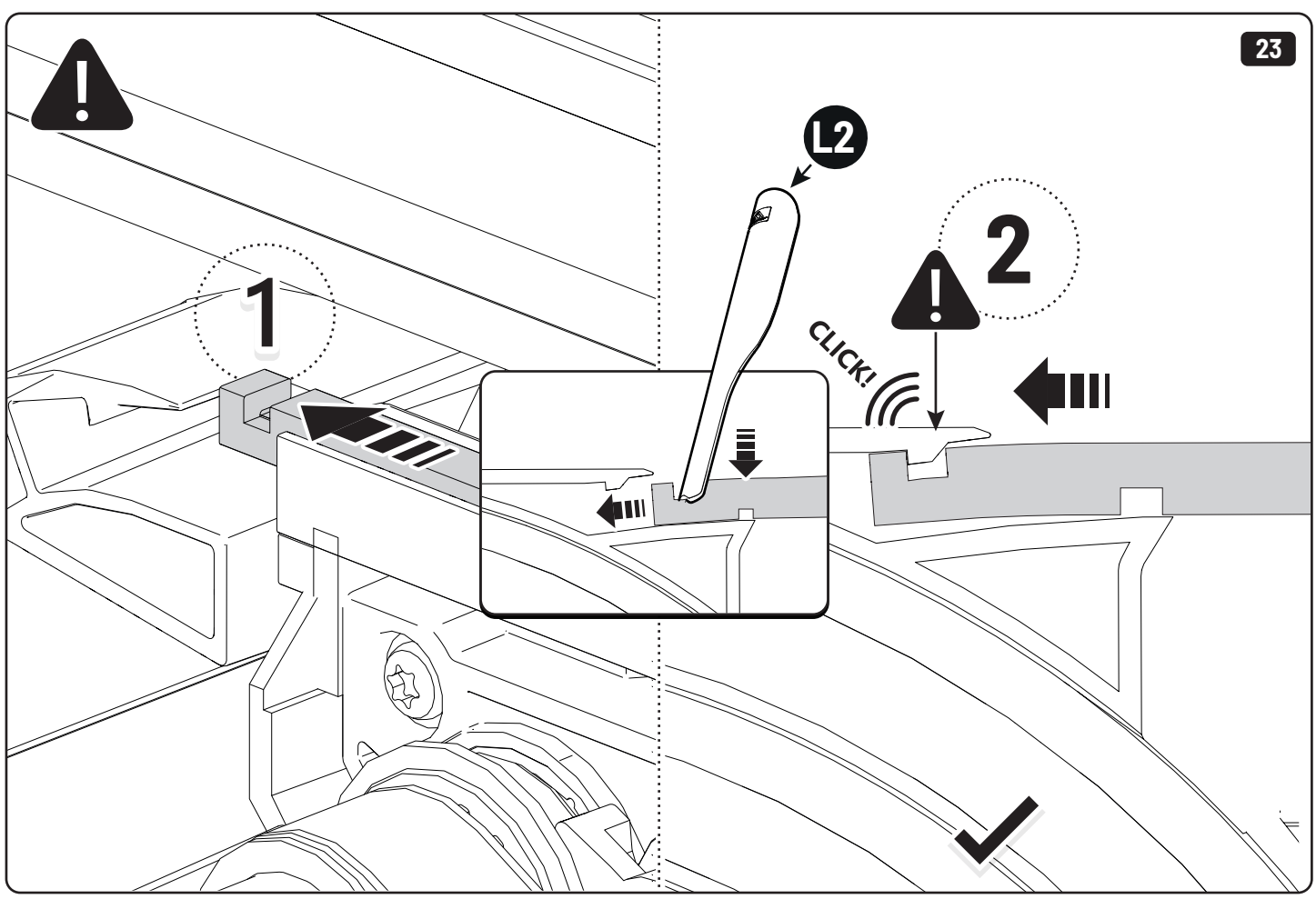
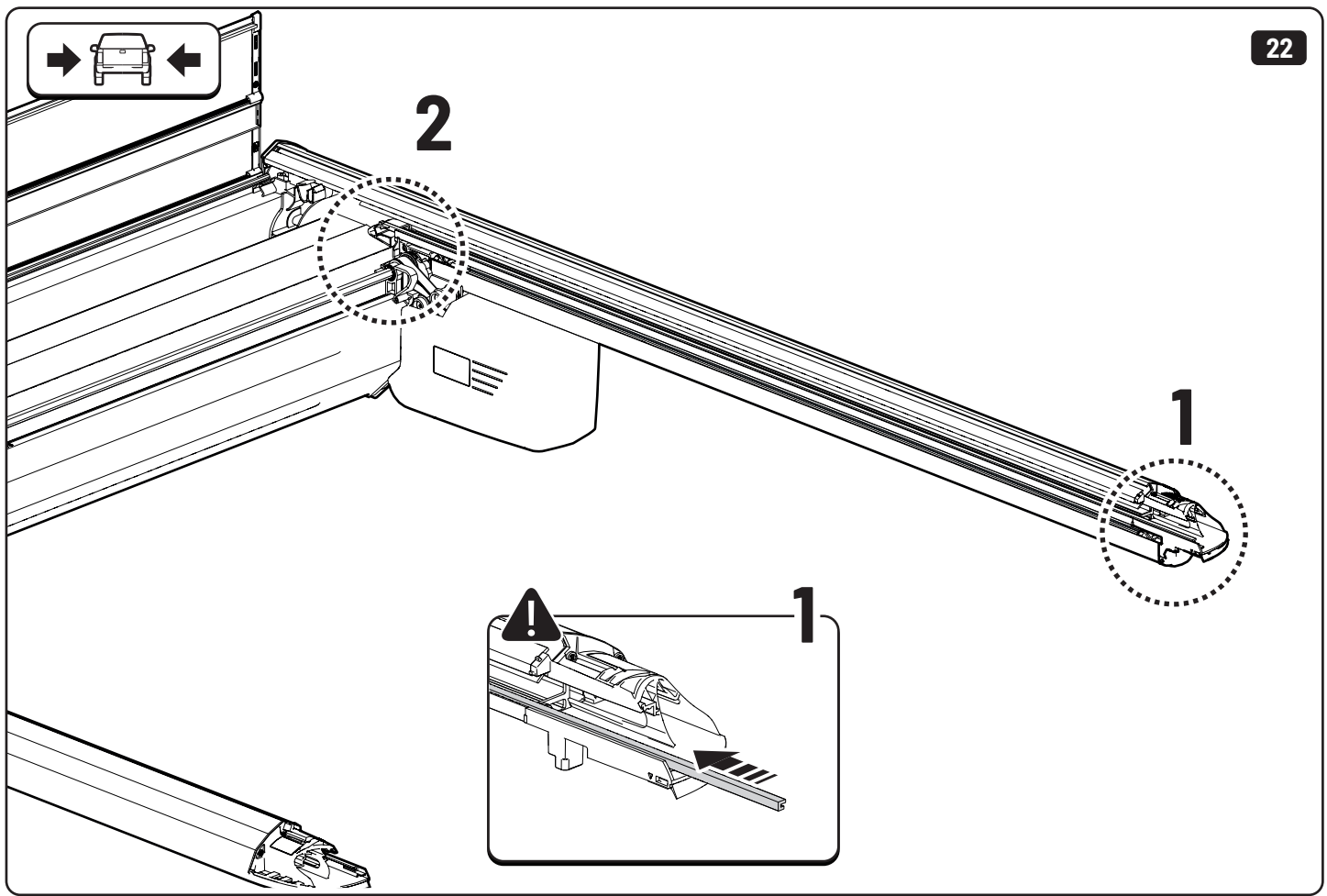
T30

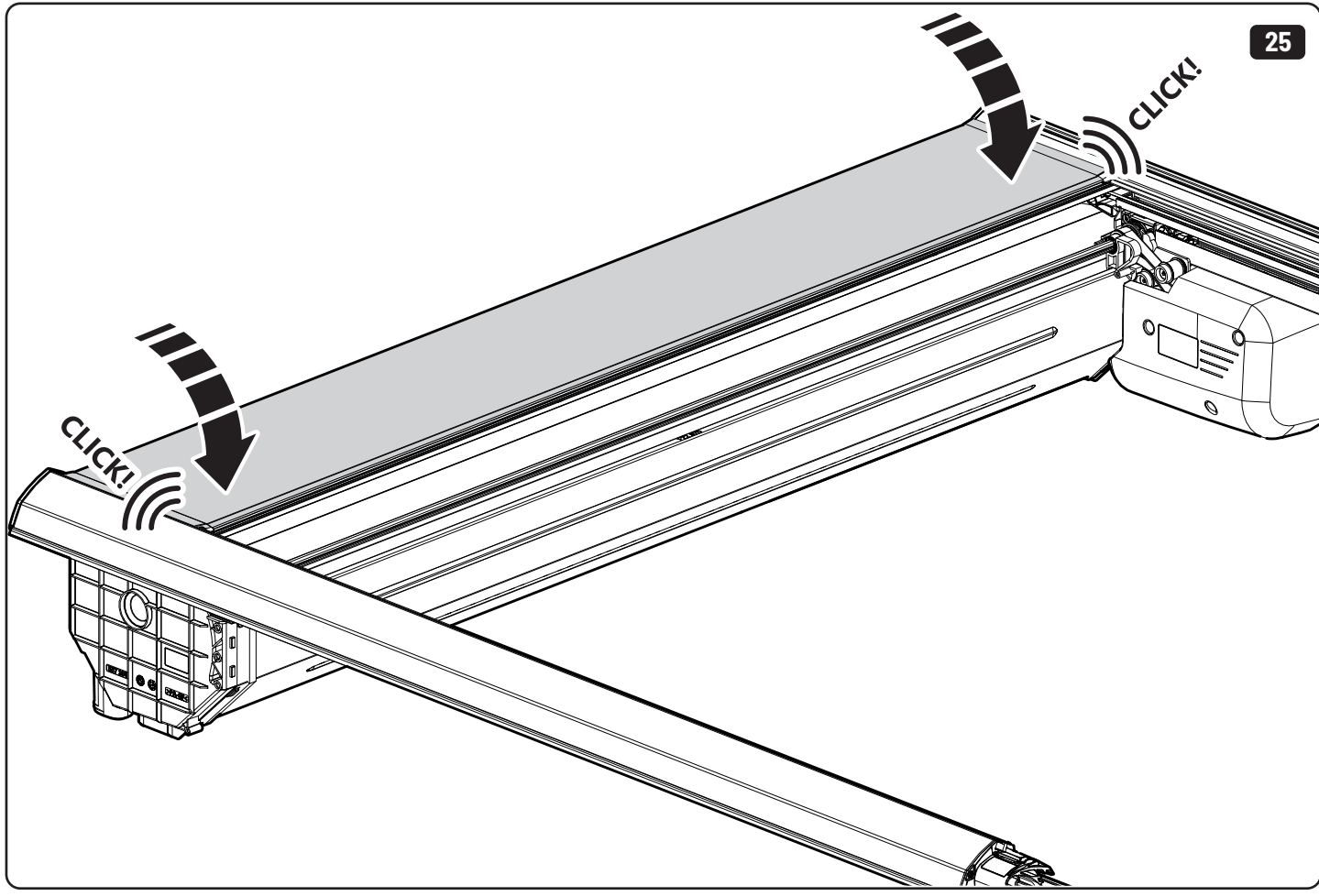
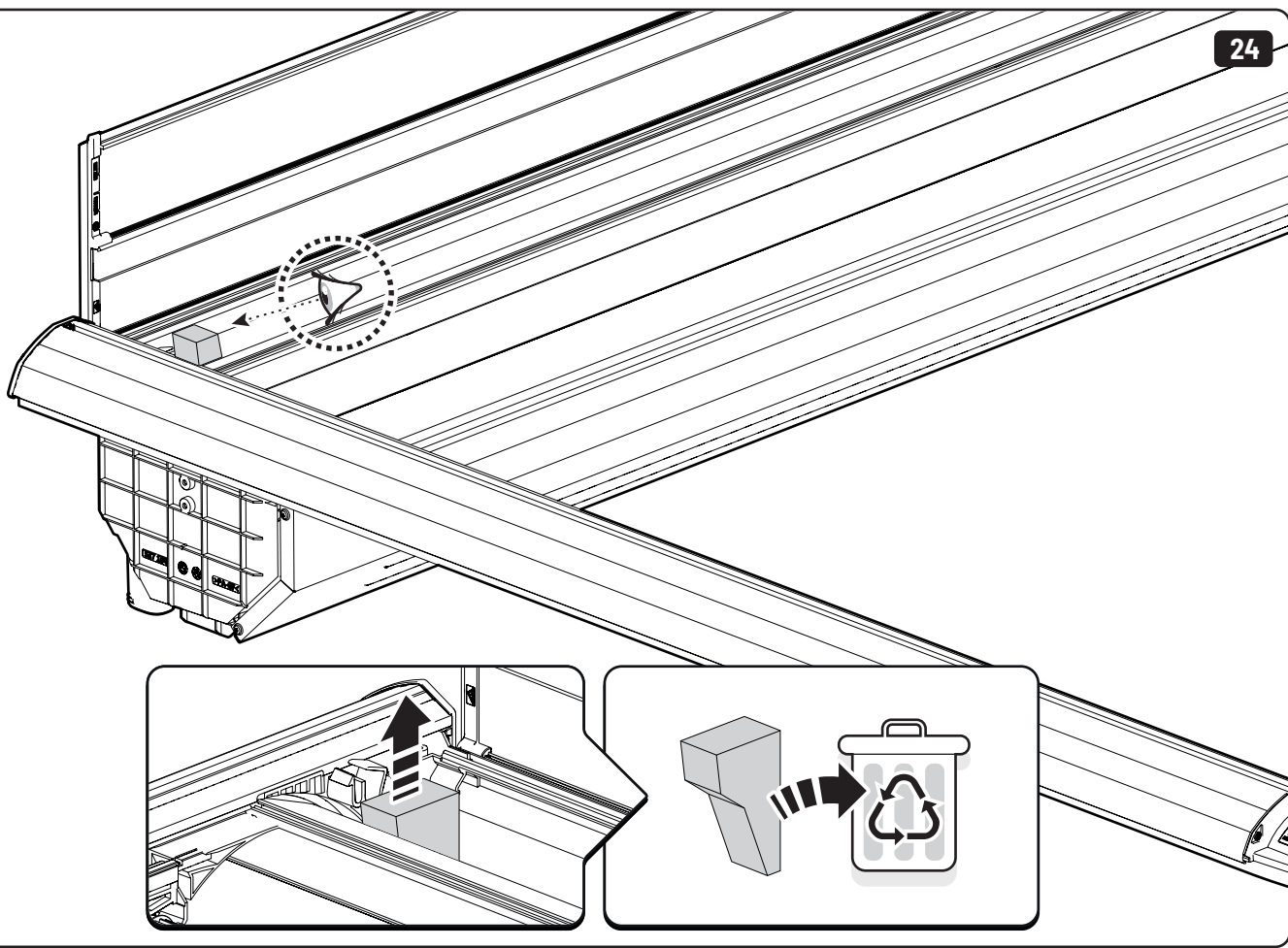
4,8Nm



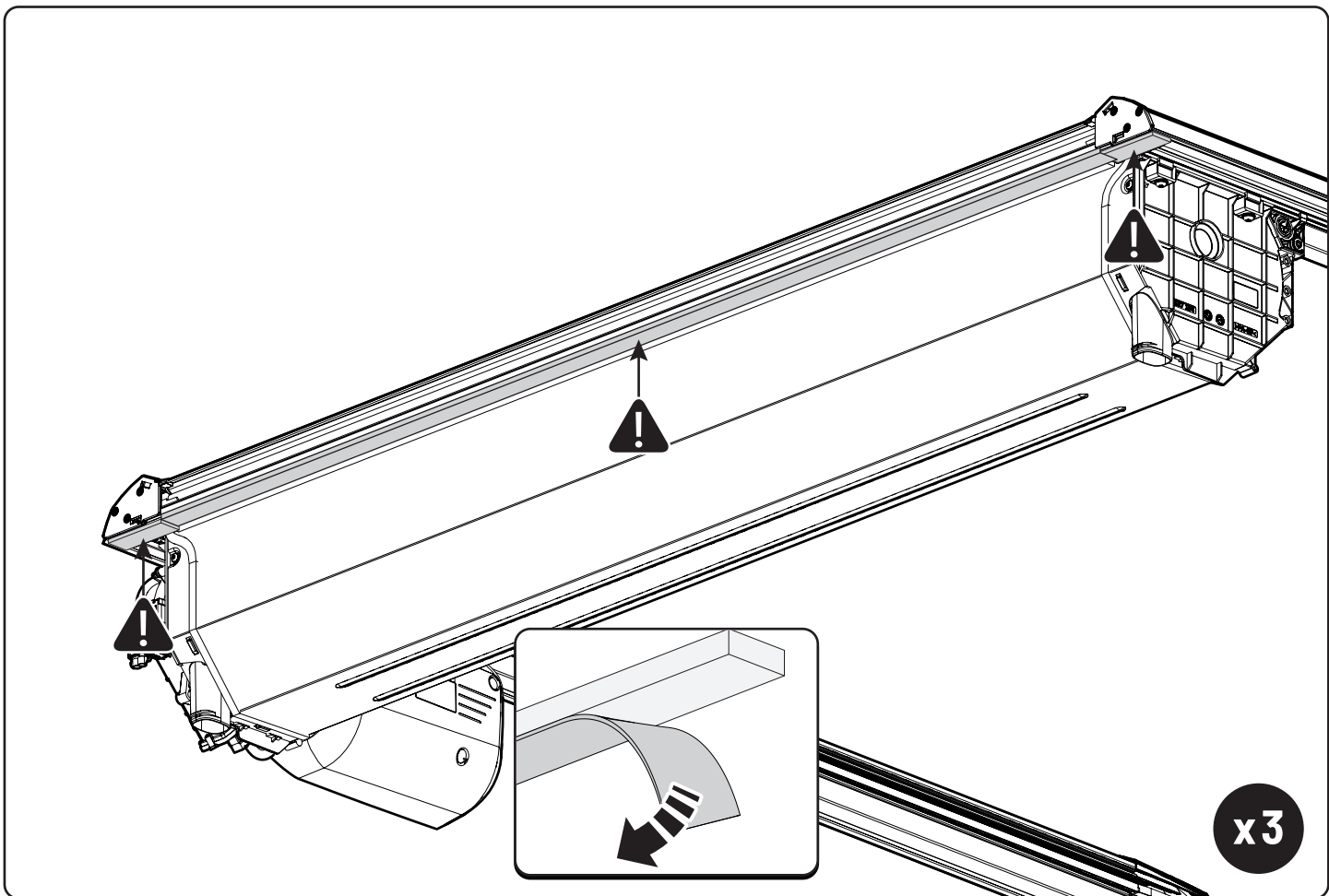
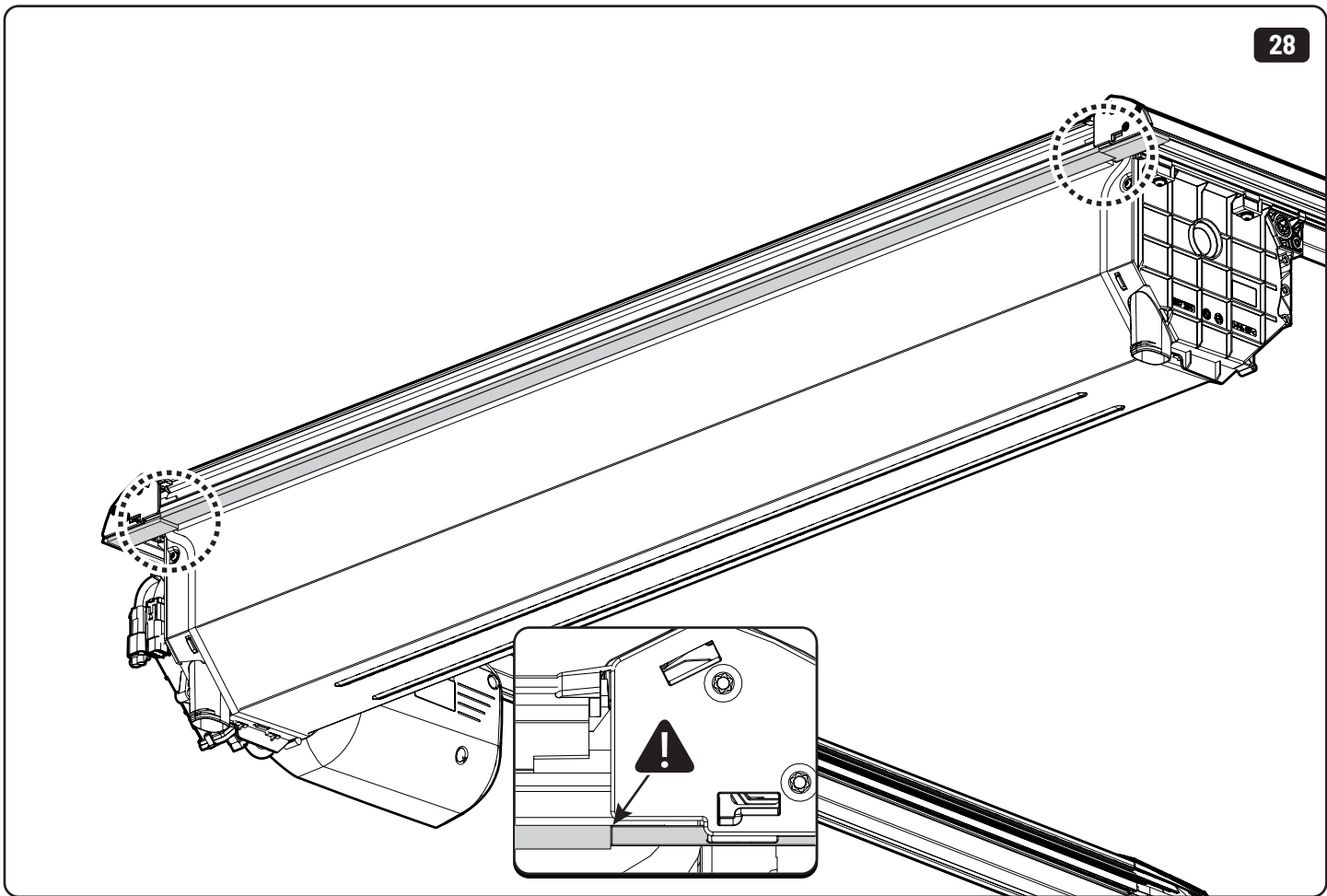


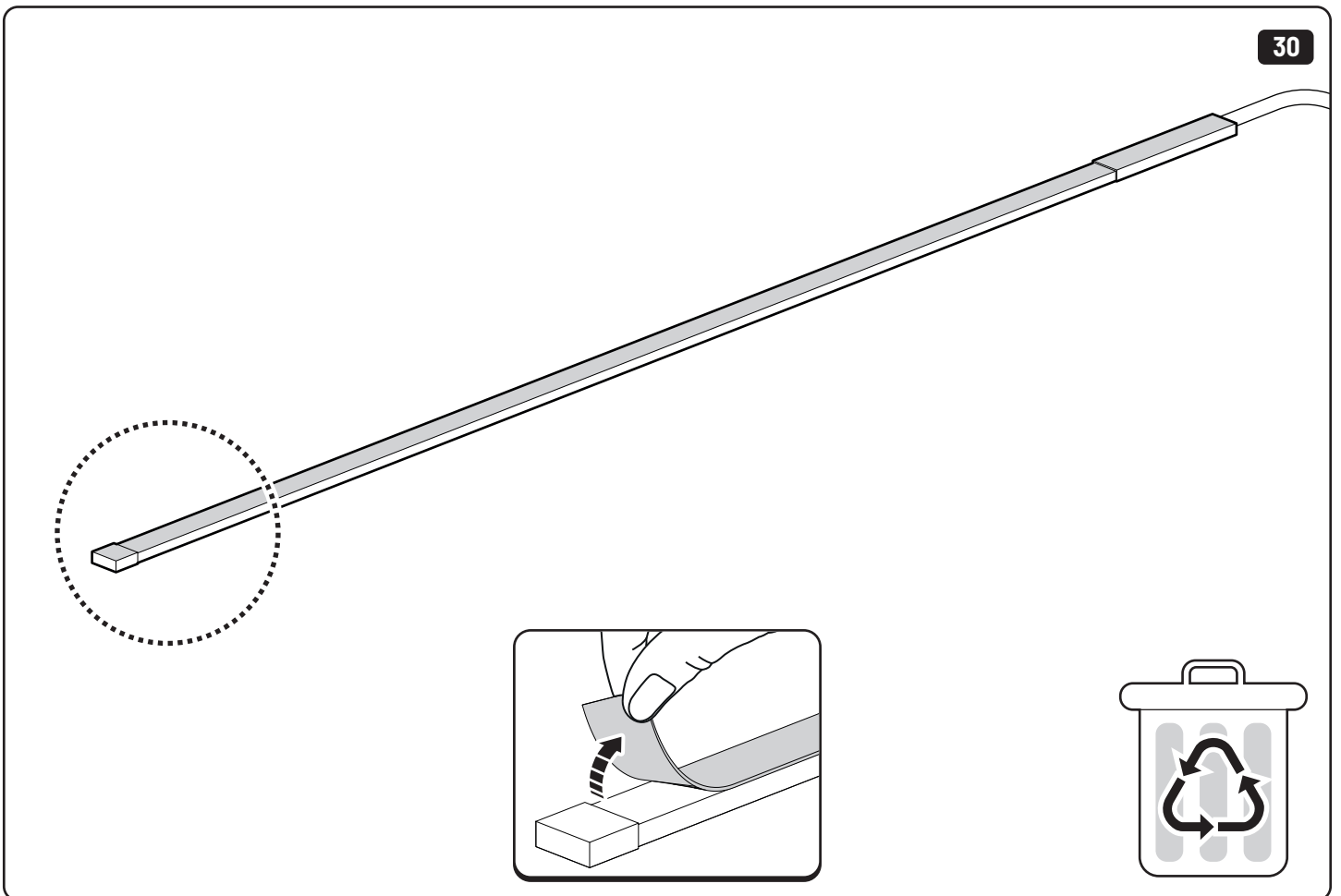
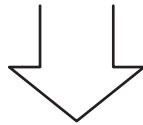
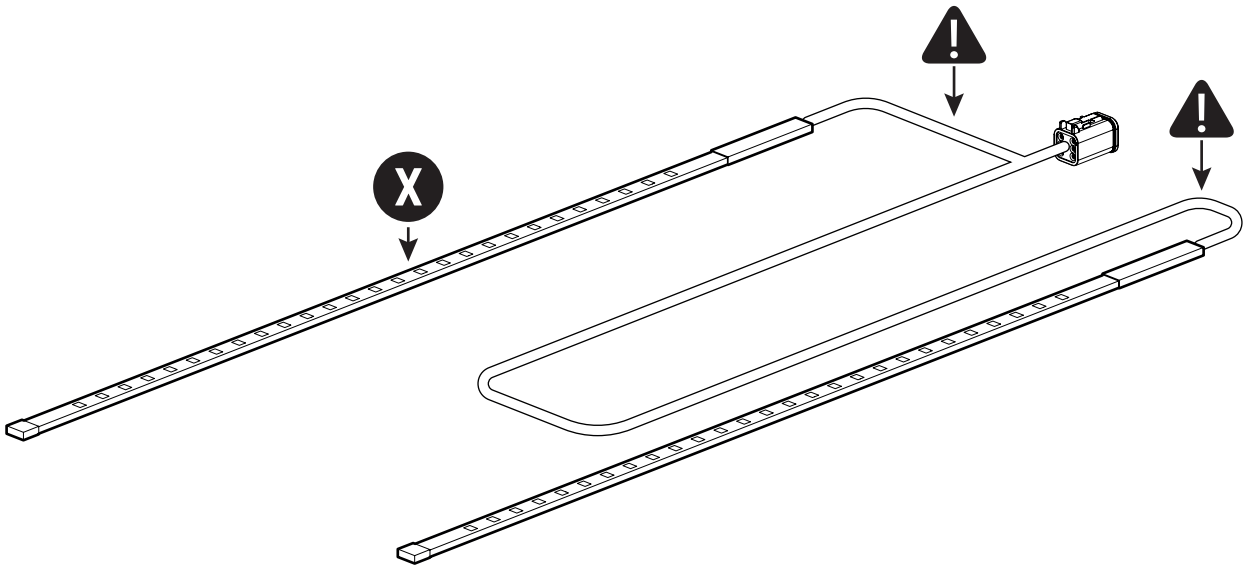


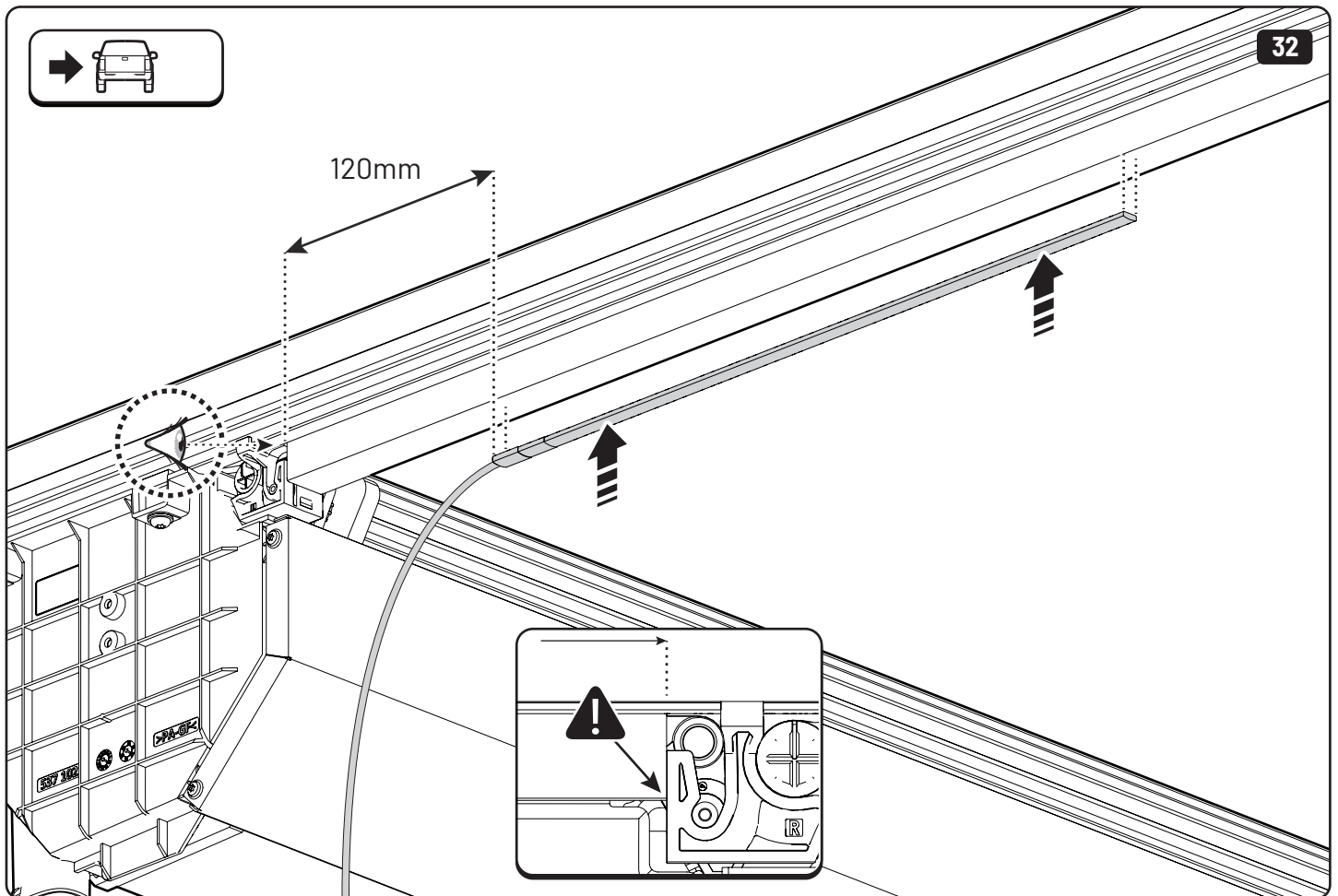
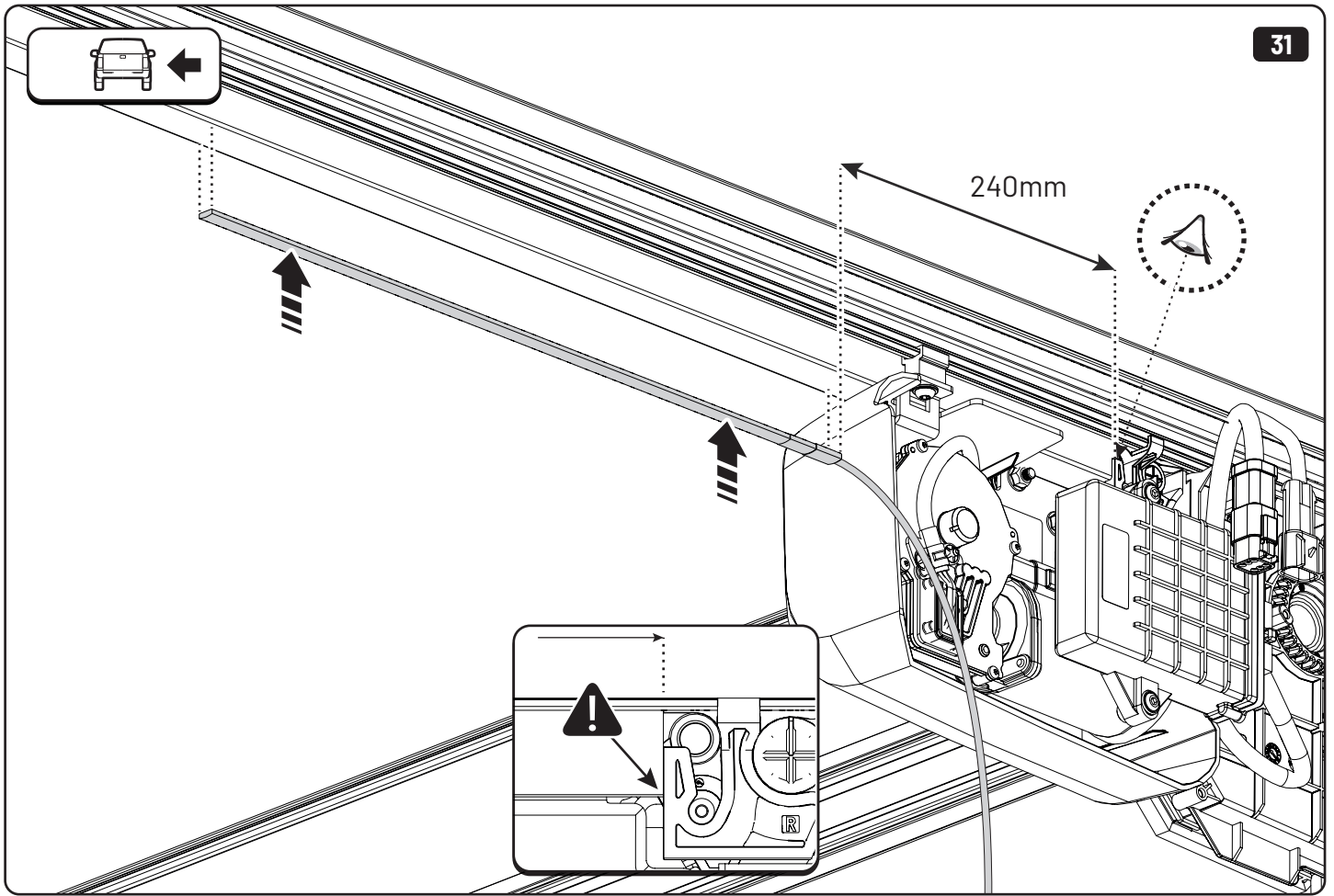


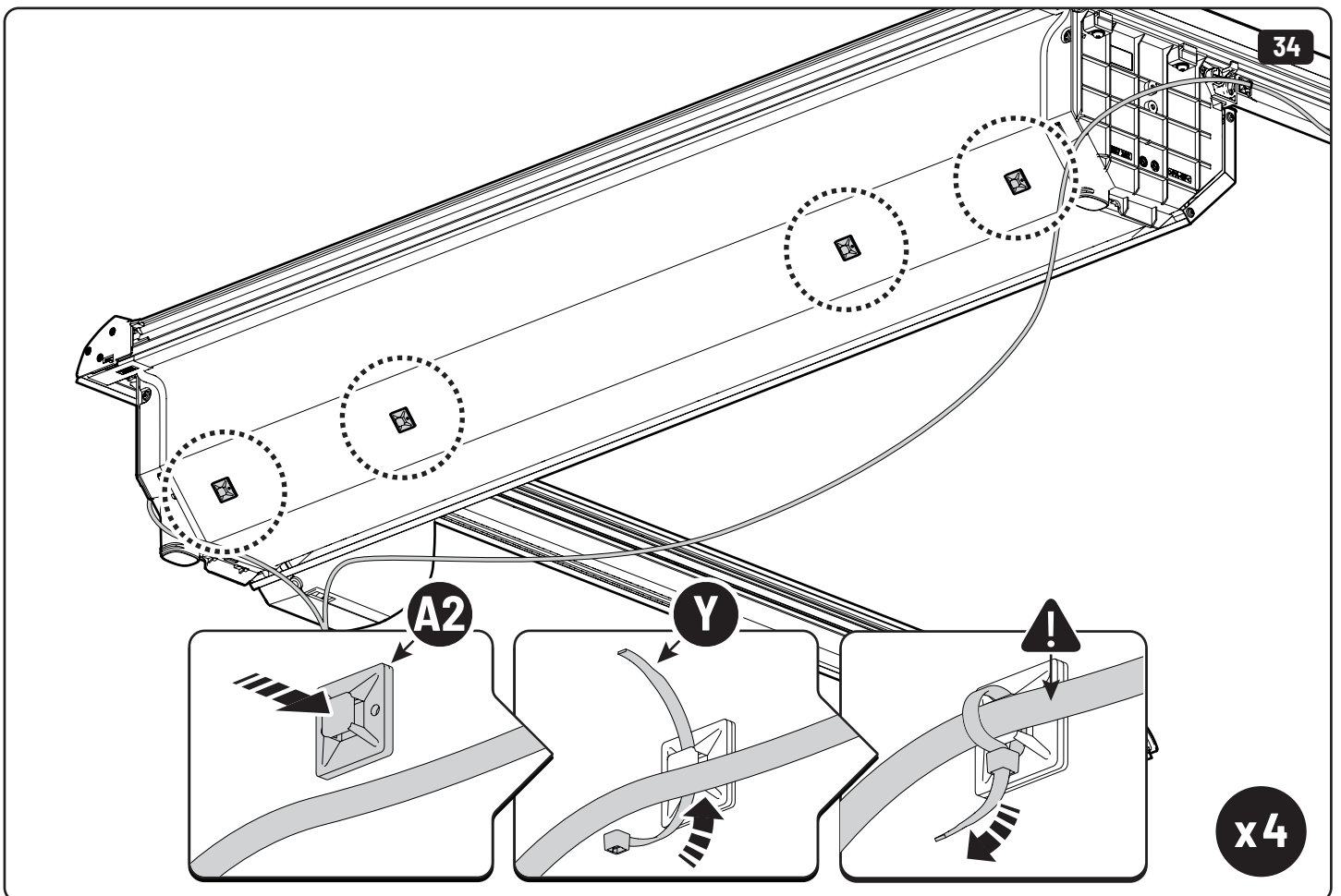
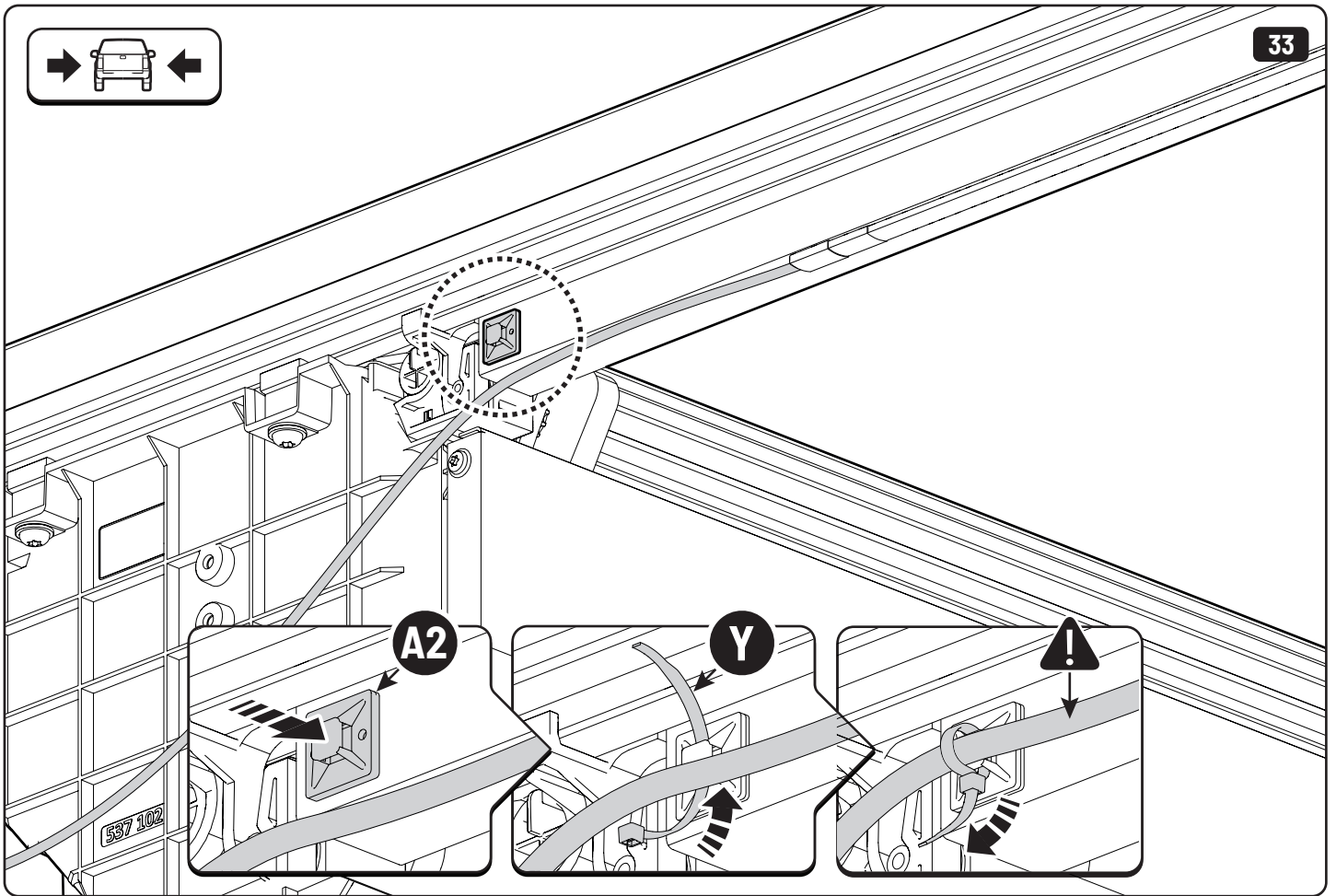


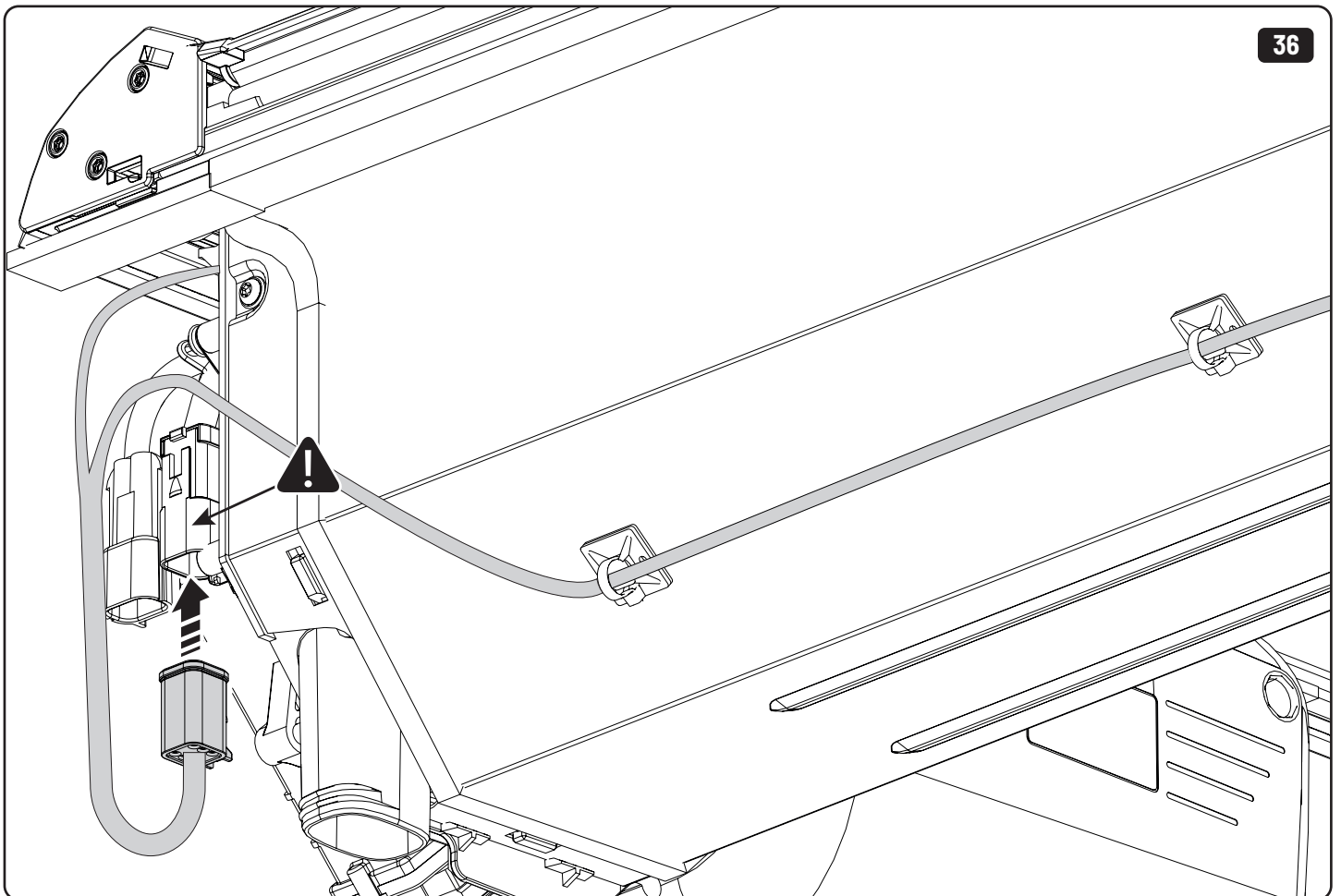
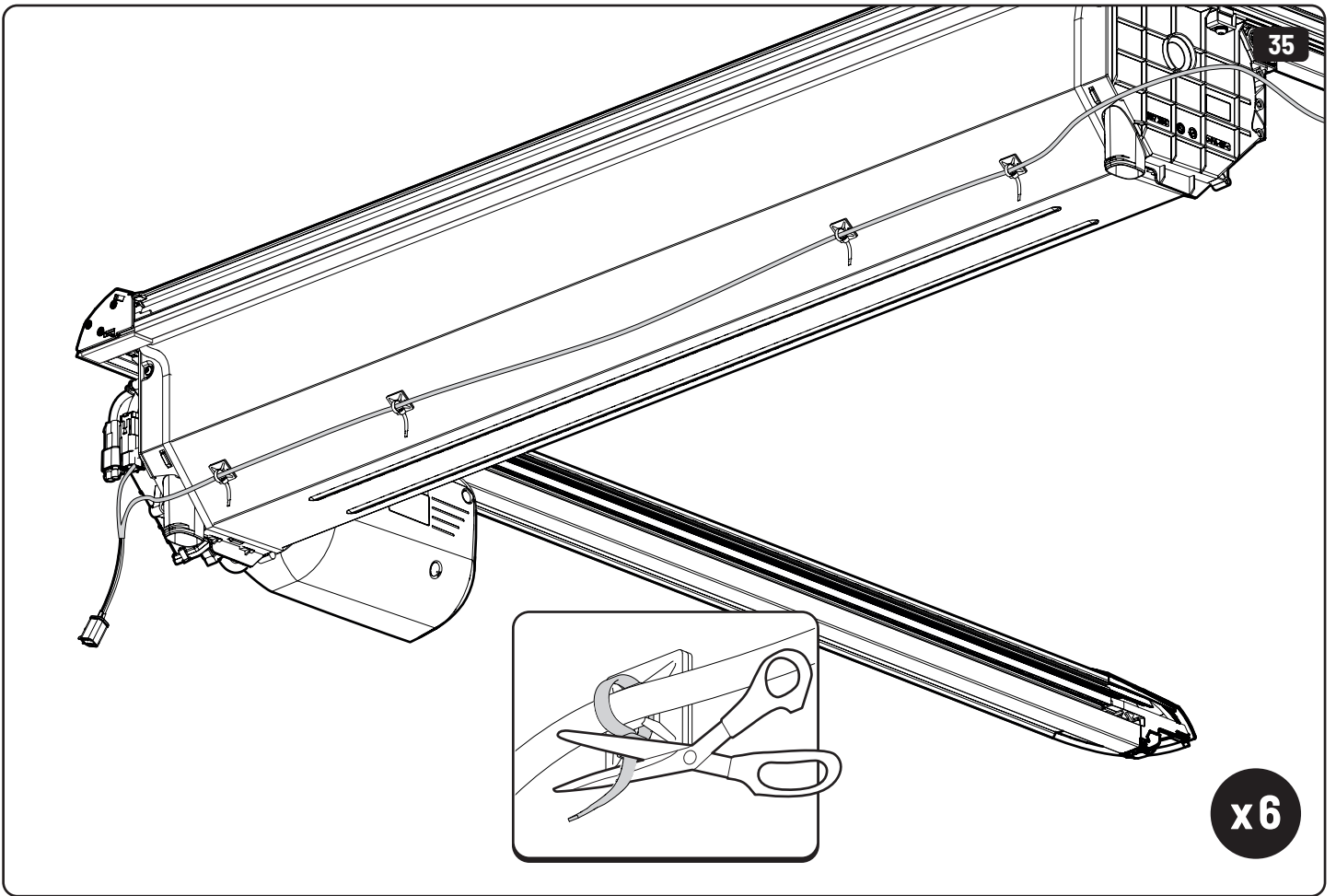


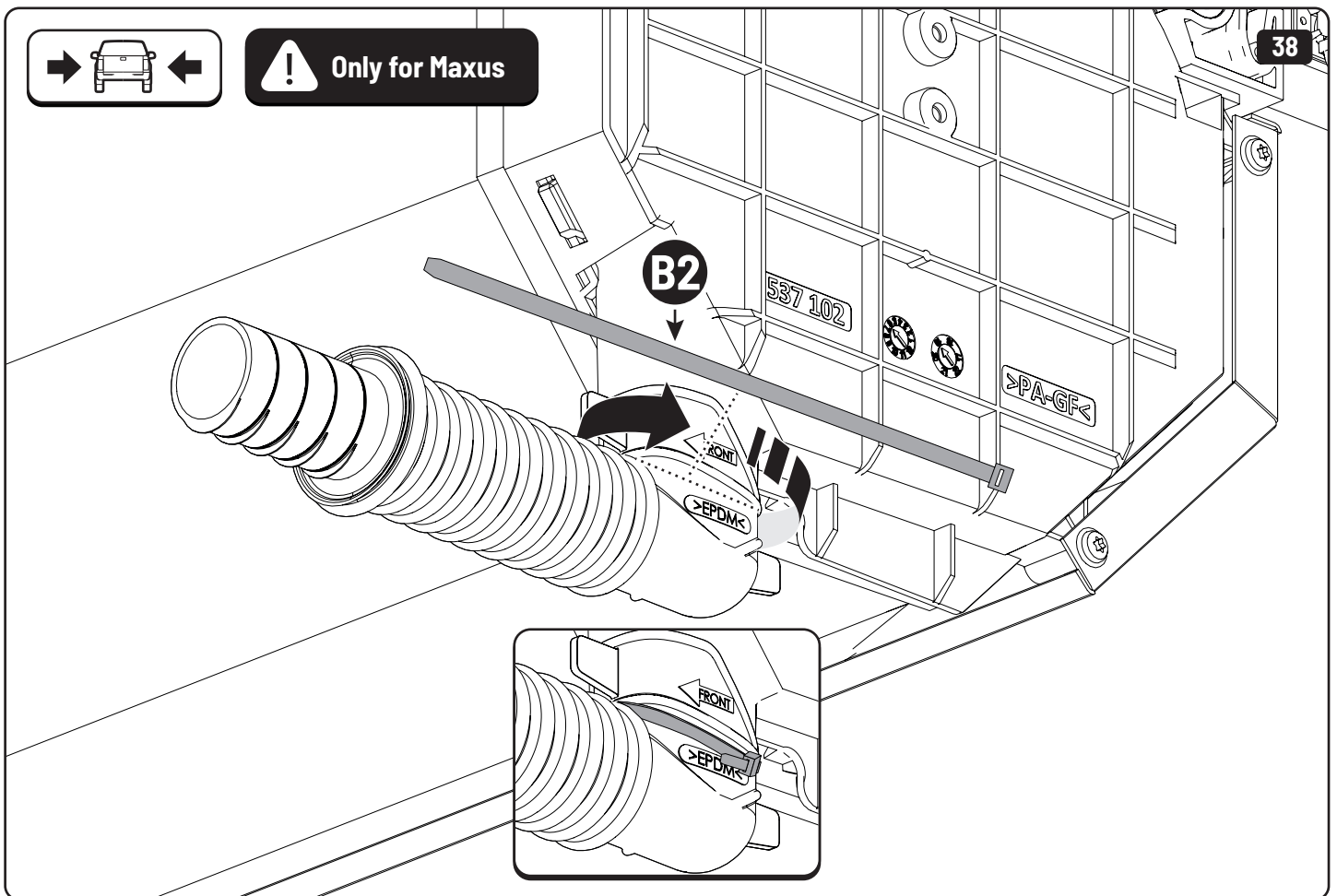
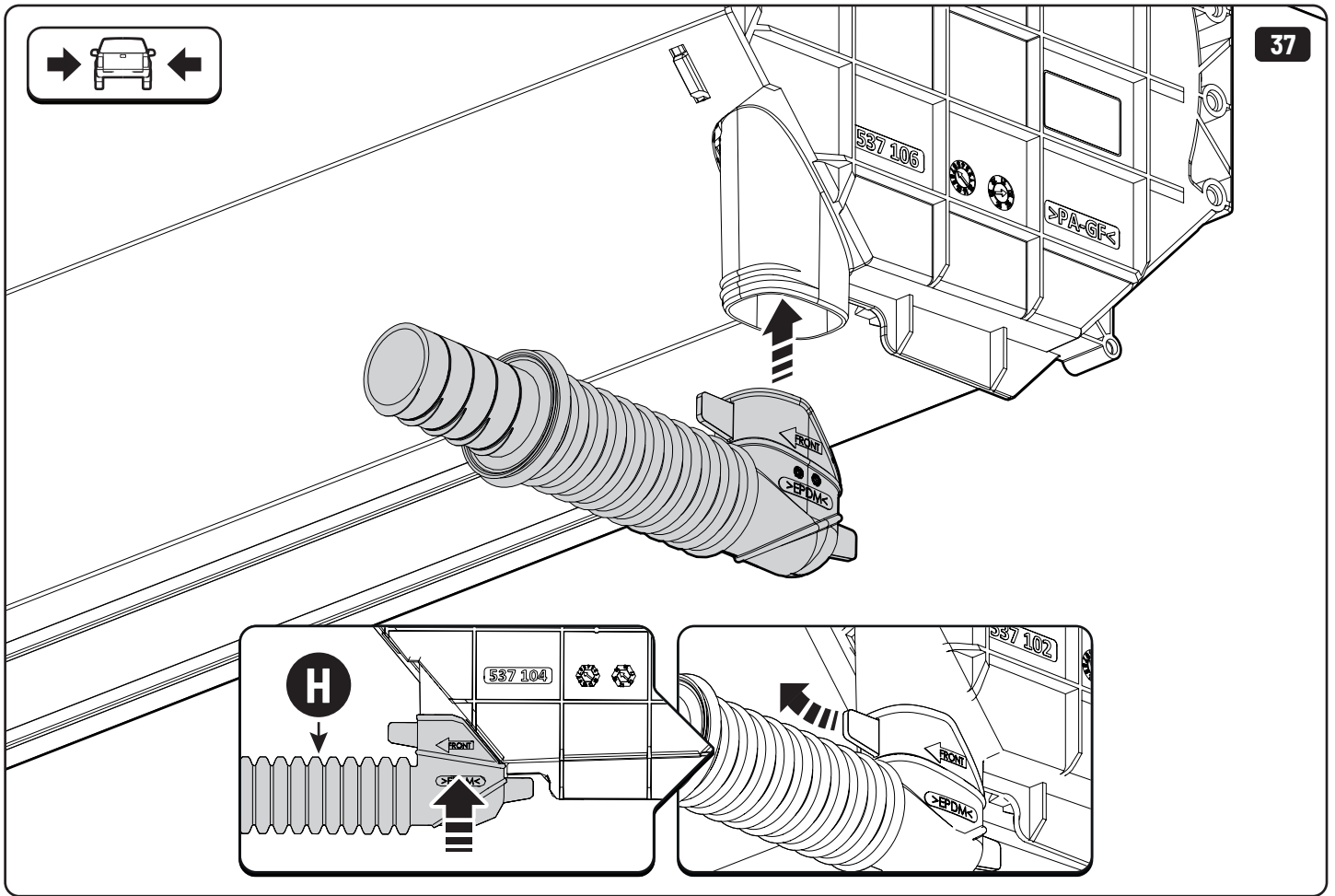


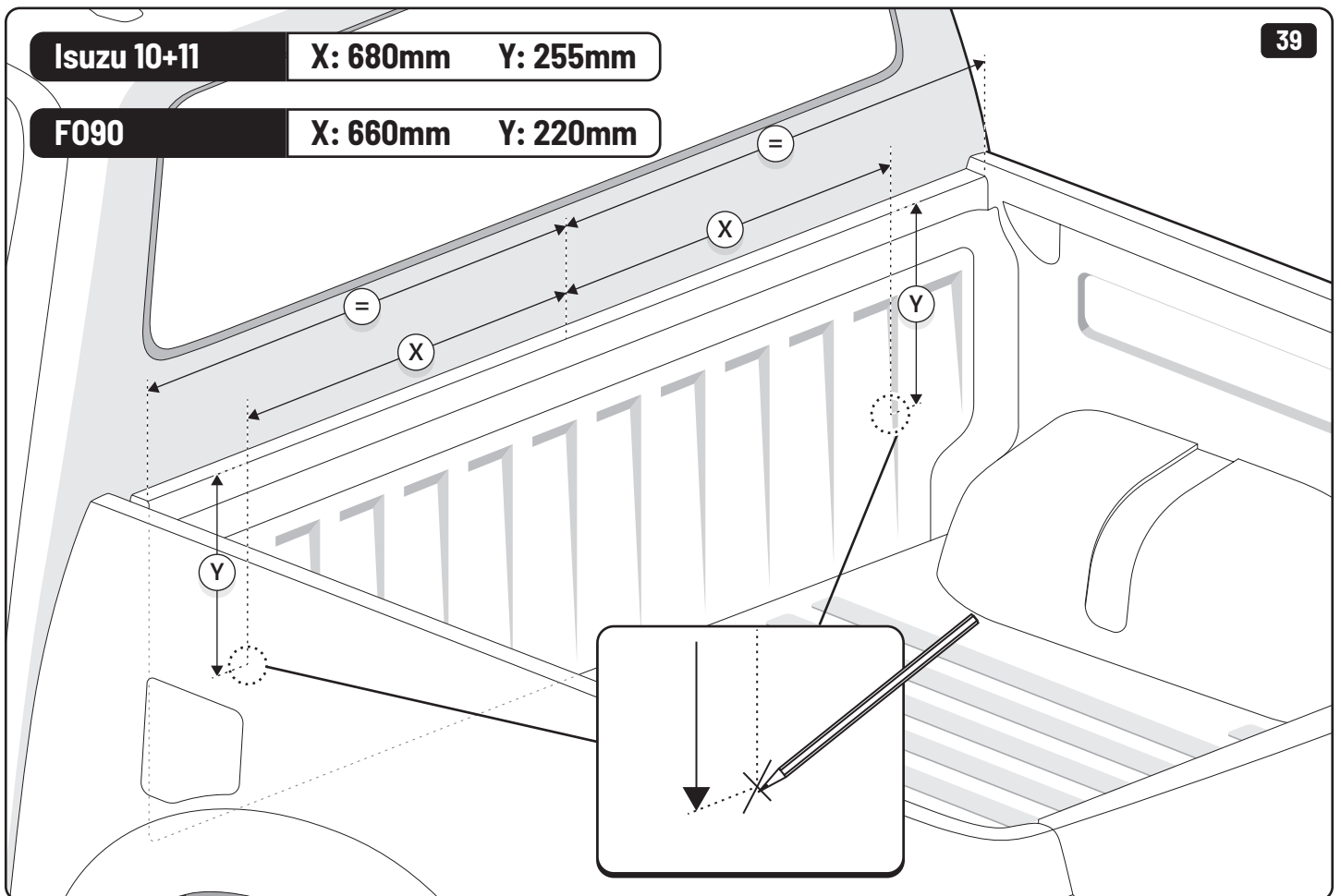
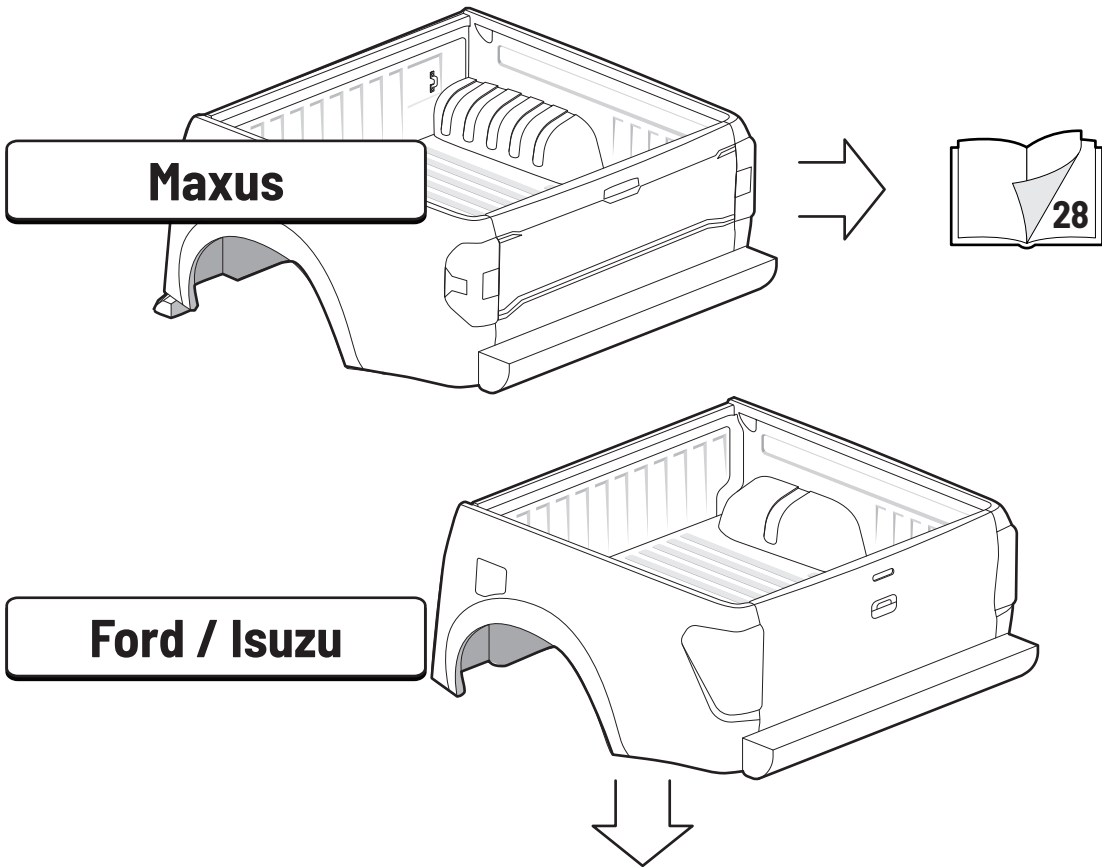


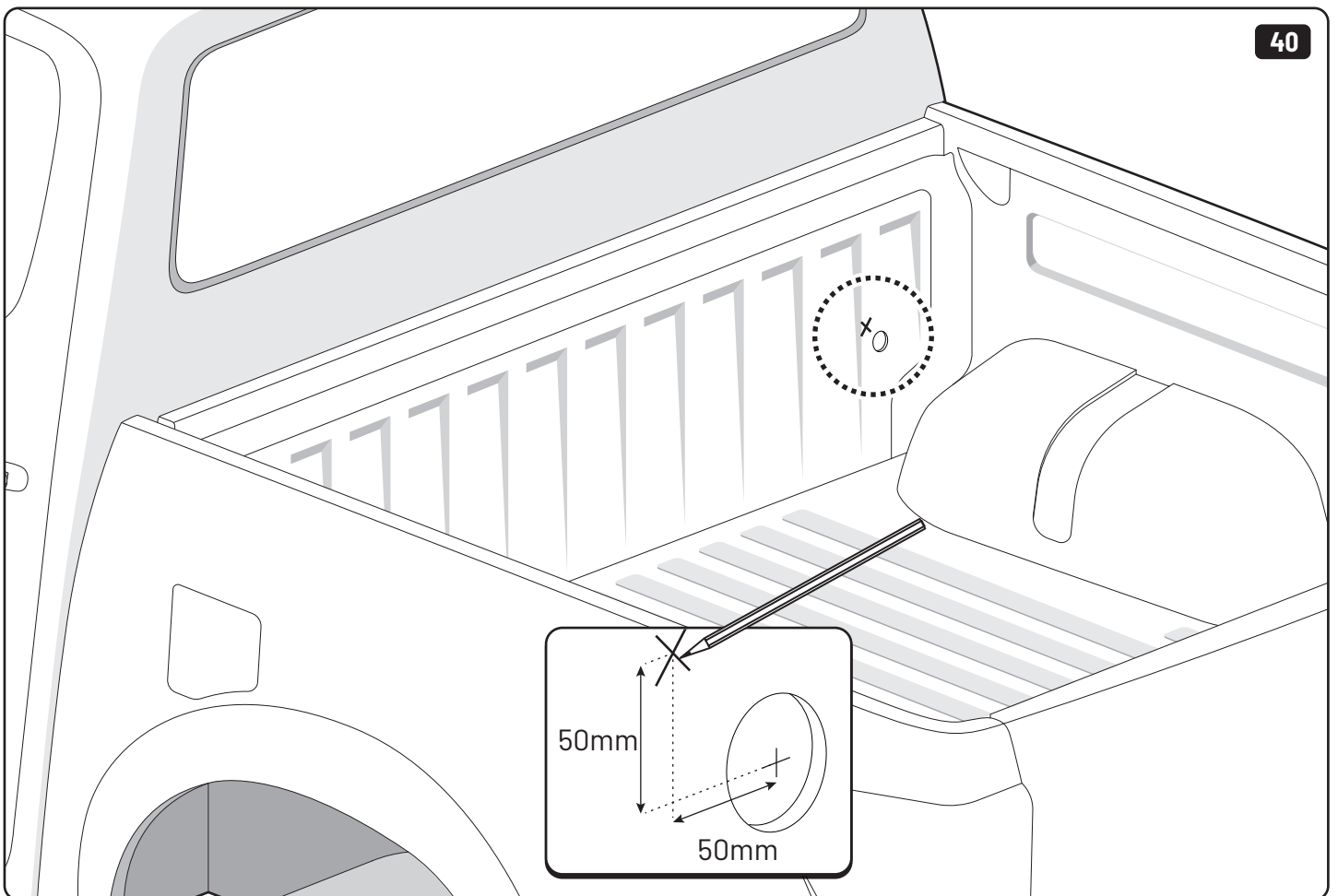
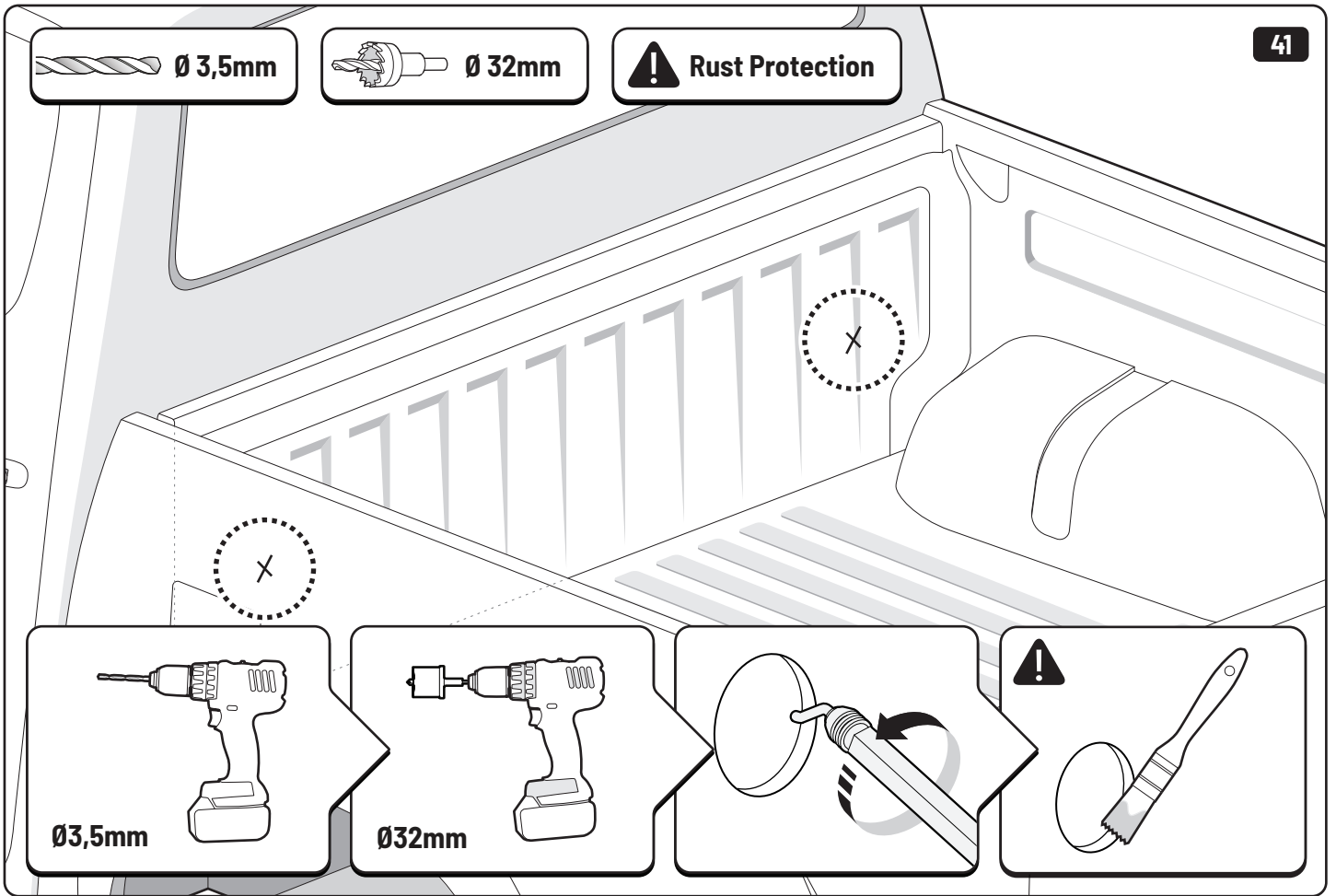


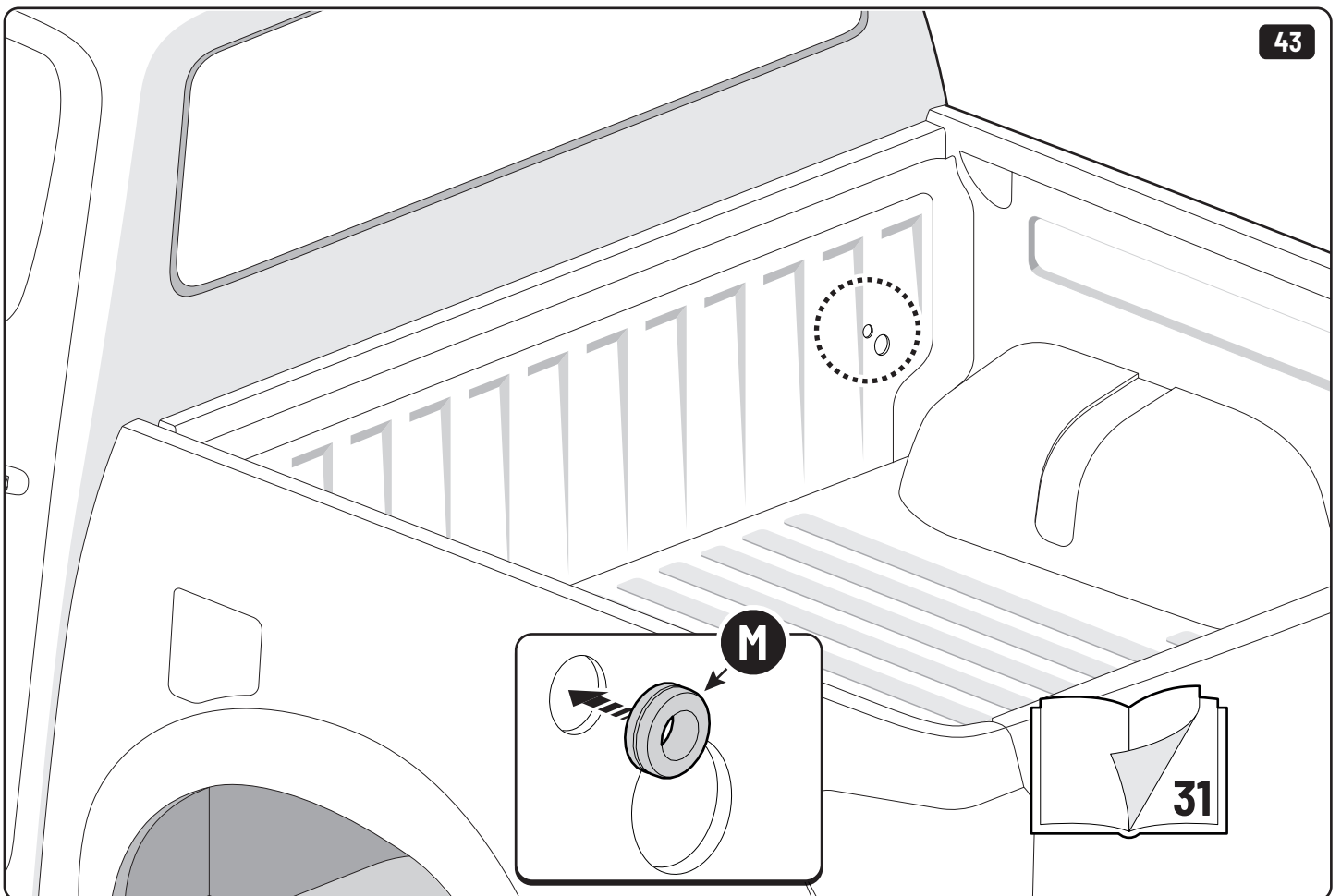
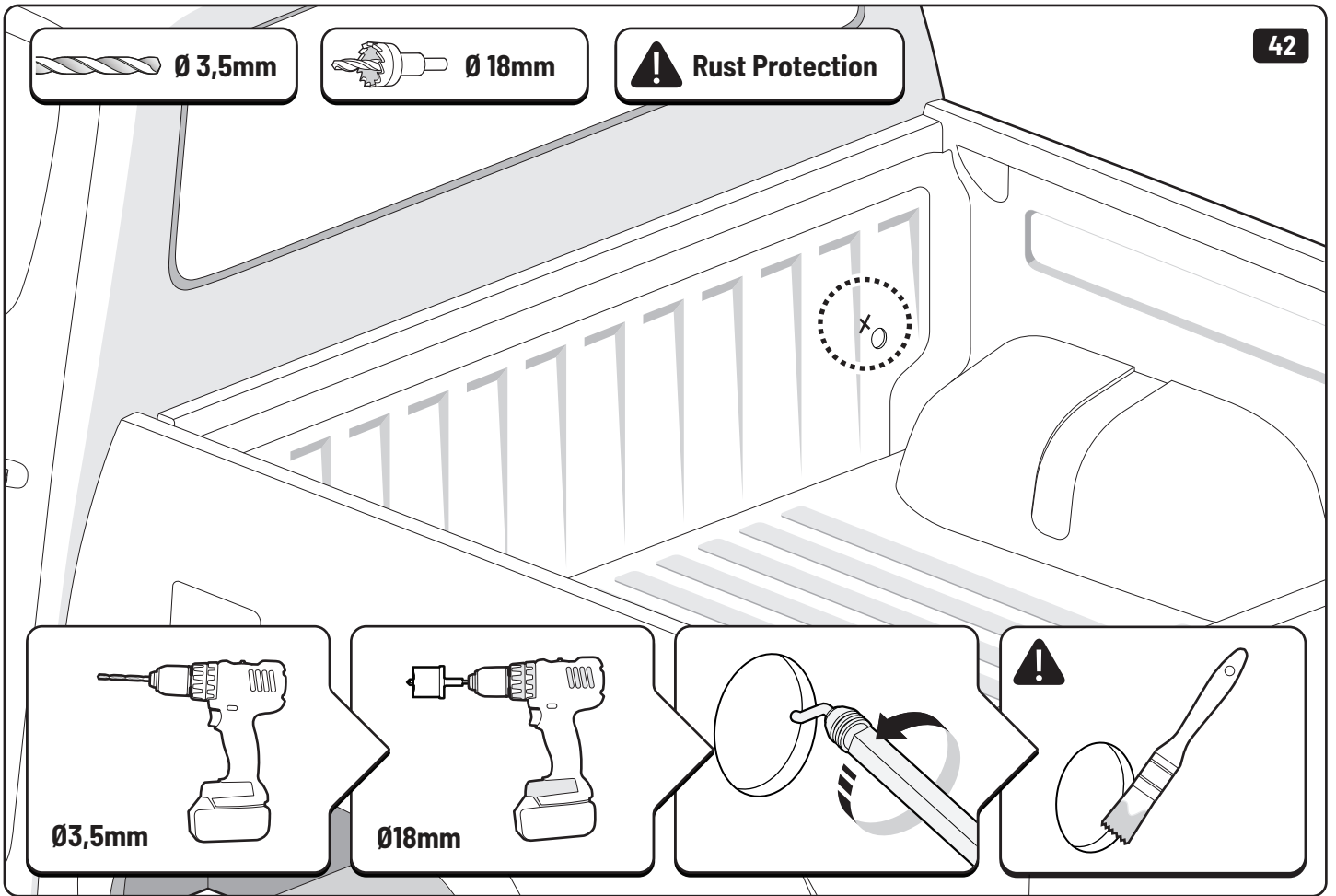




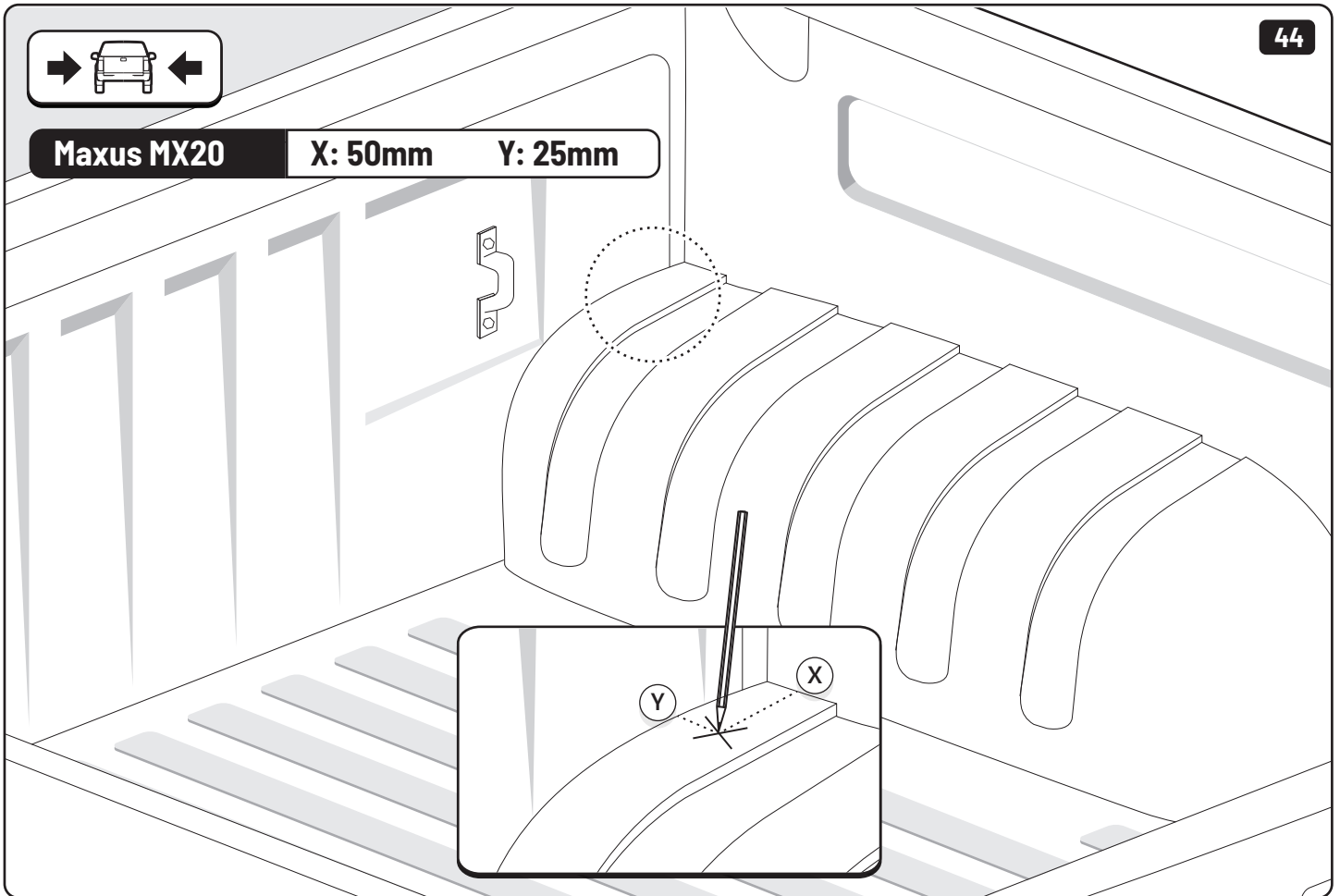
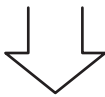
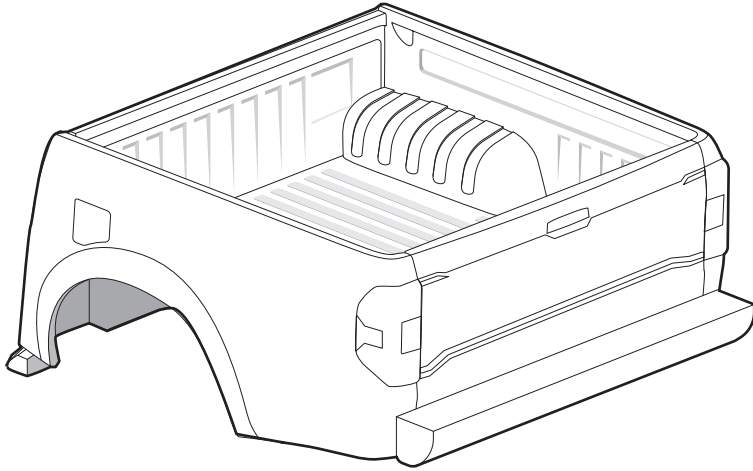


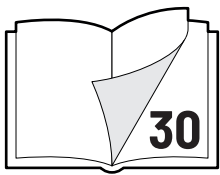
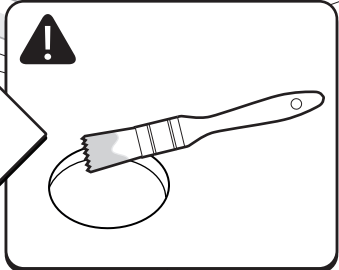
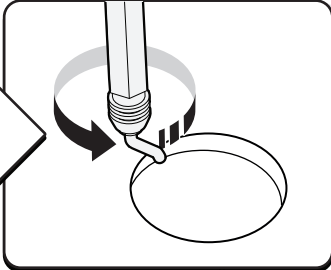
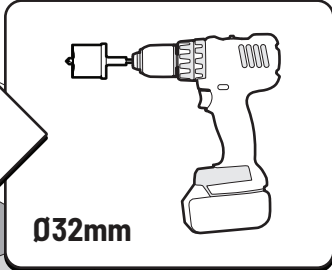
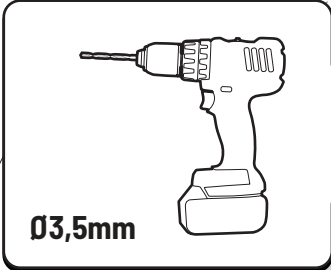
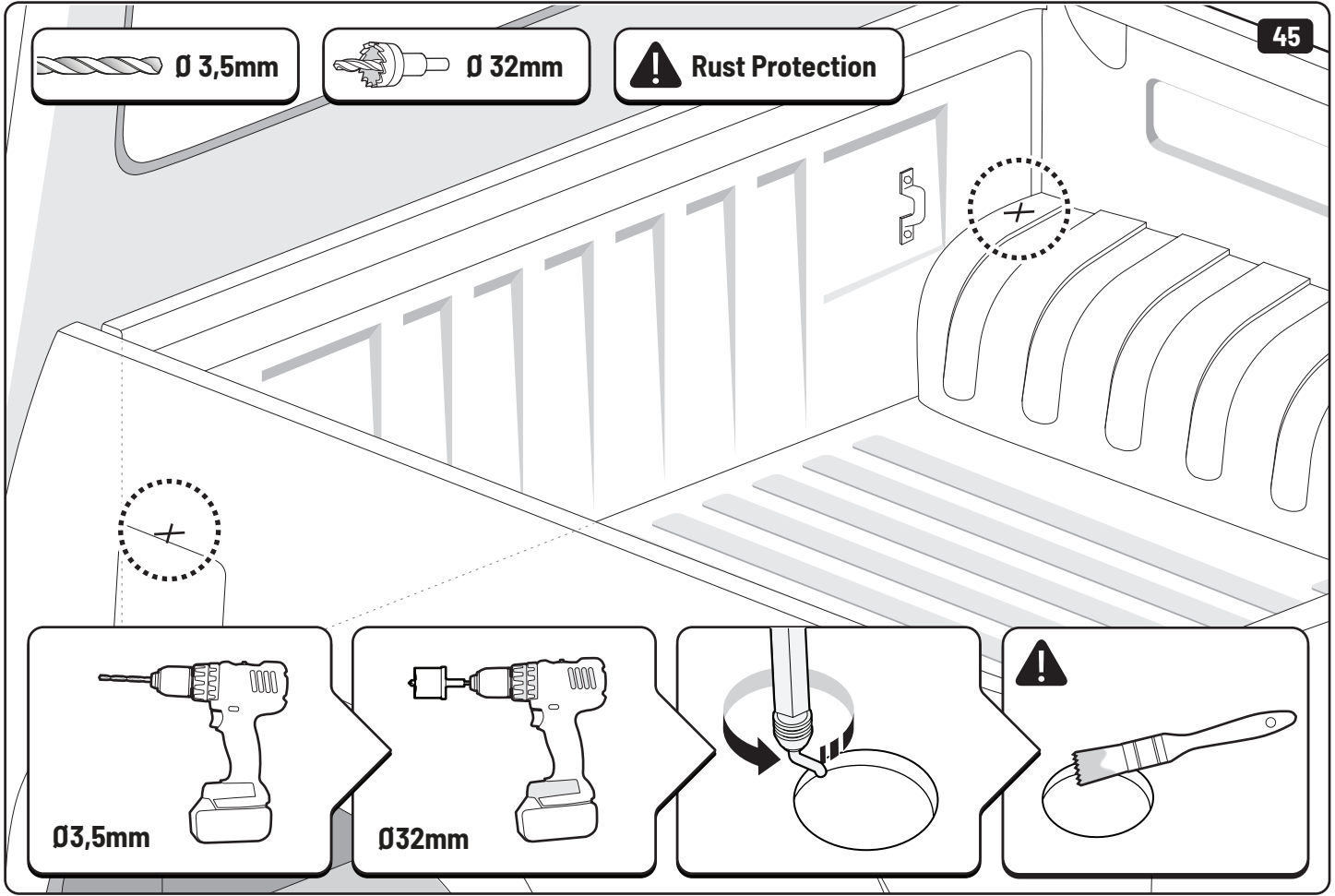


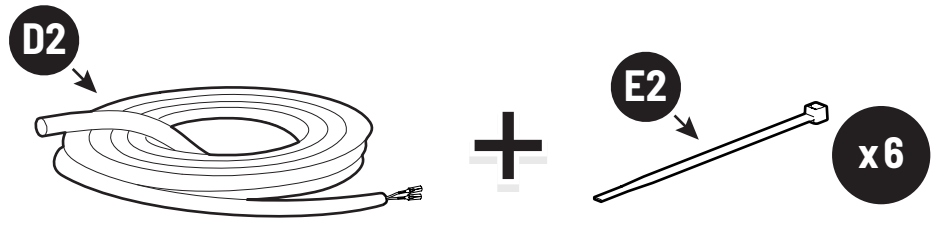
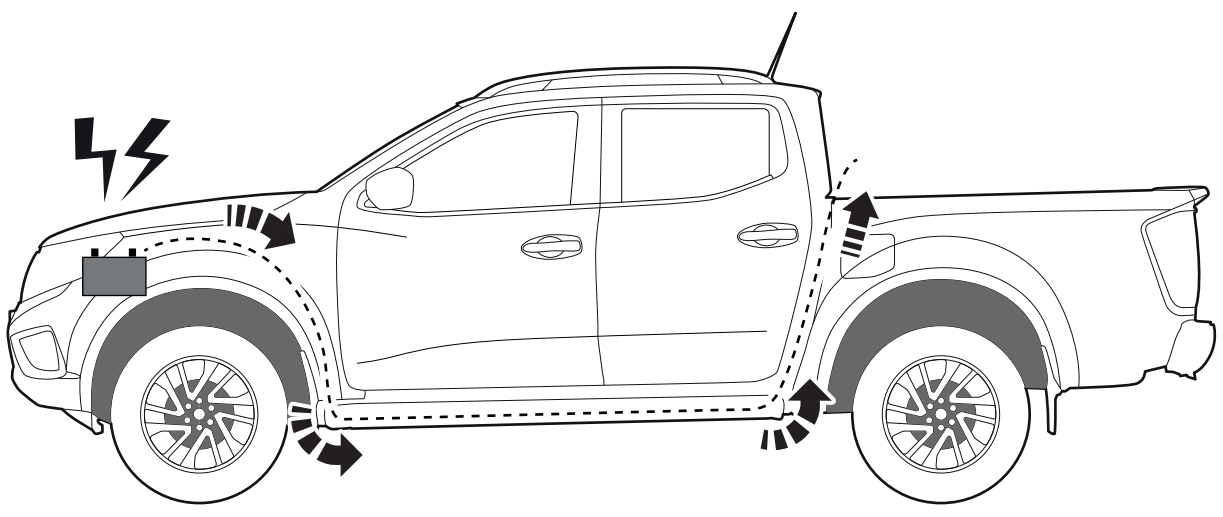




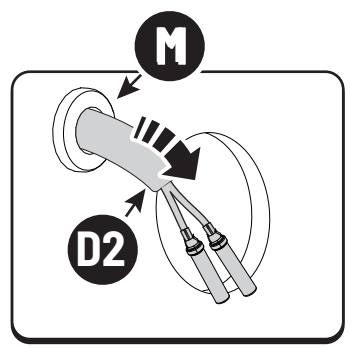
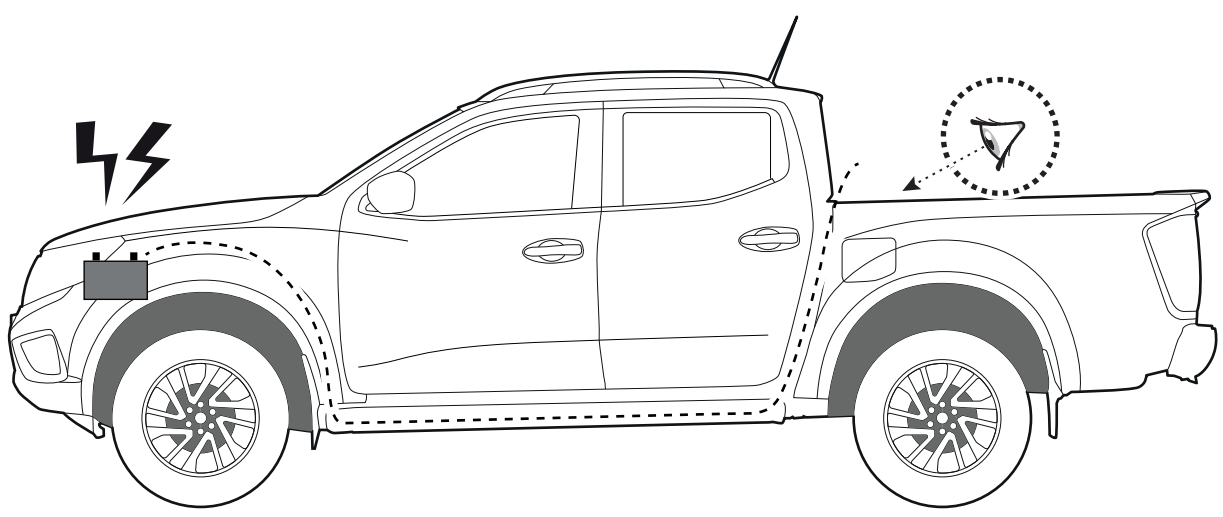
# Maxus

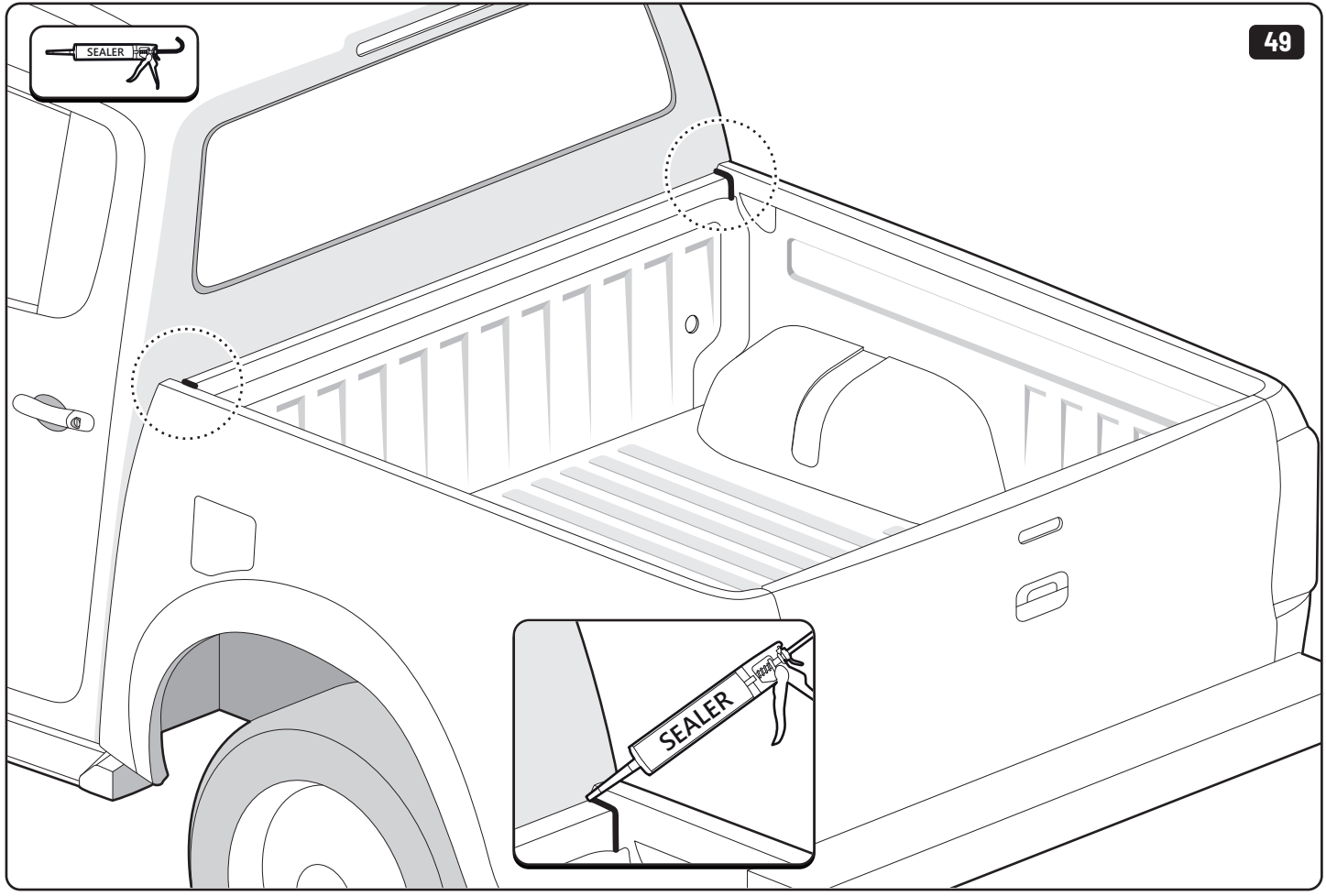
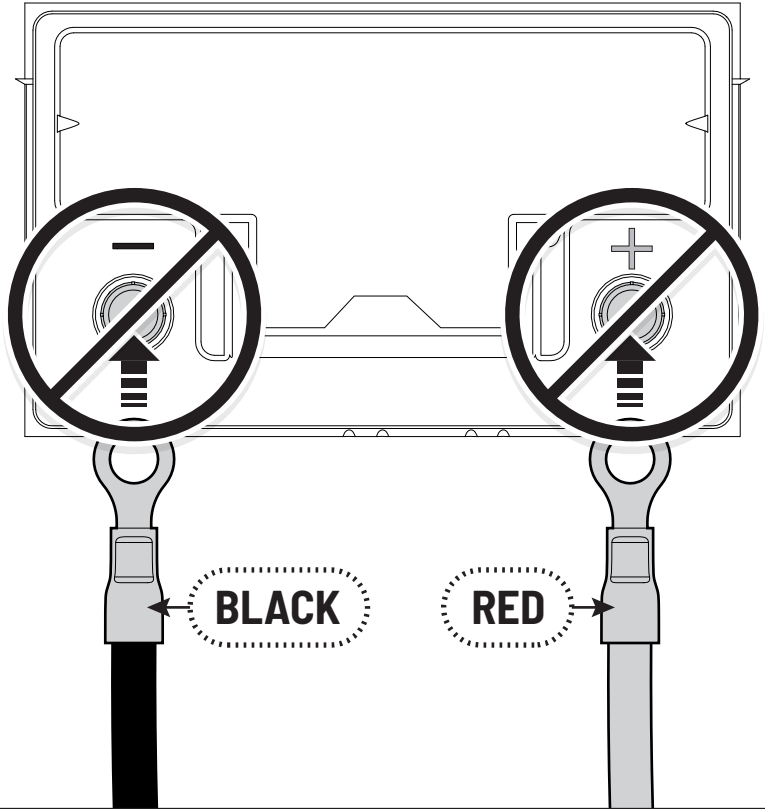


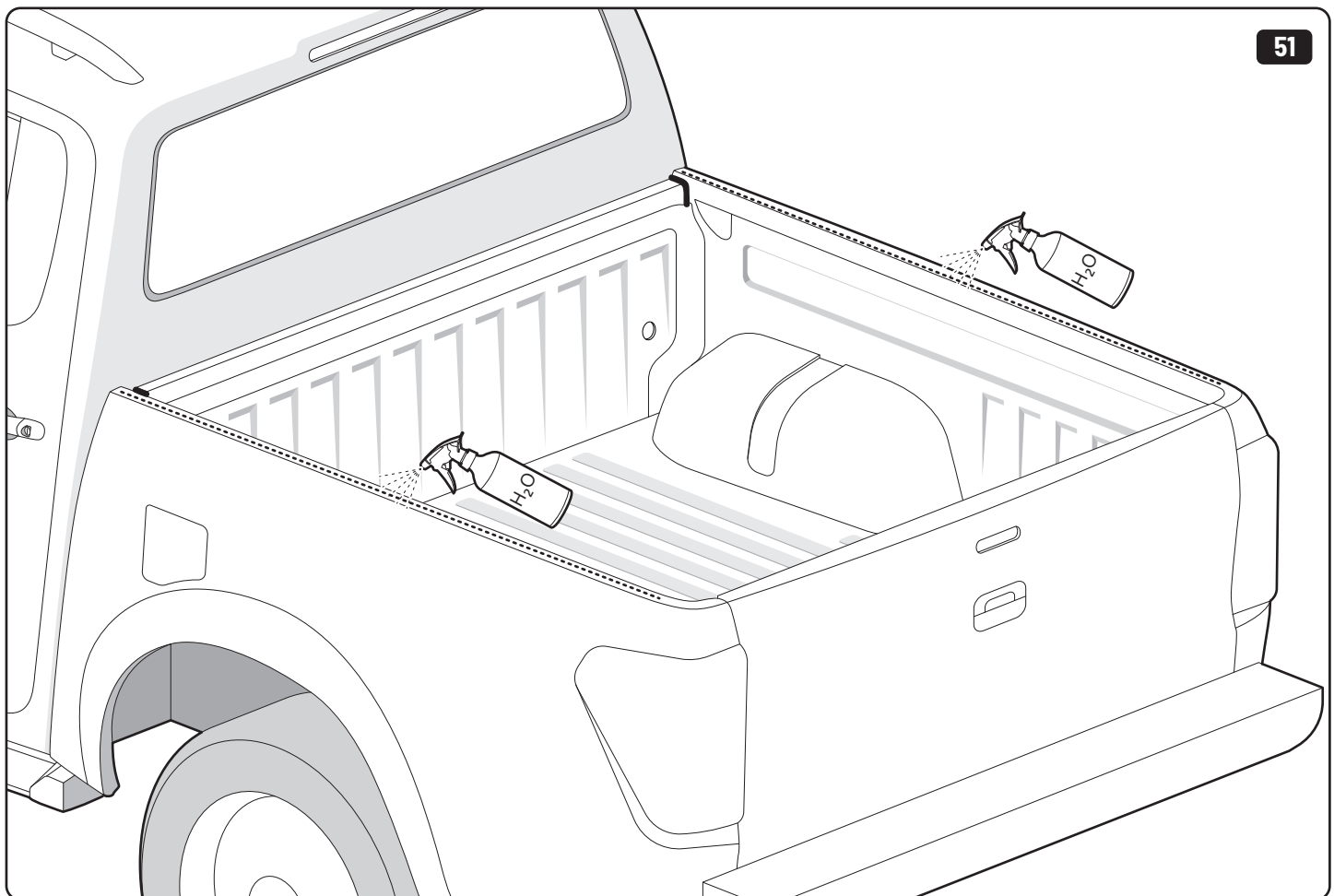
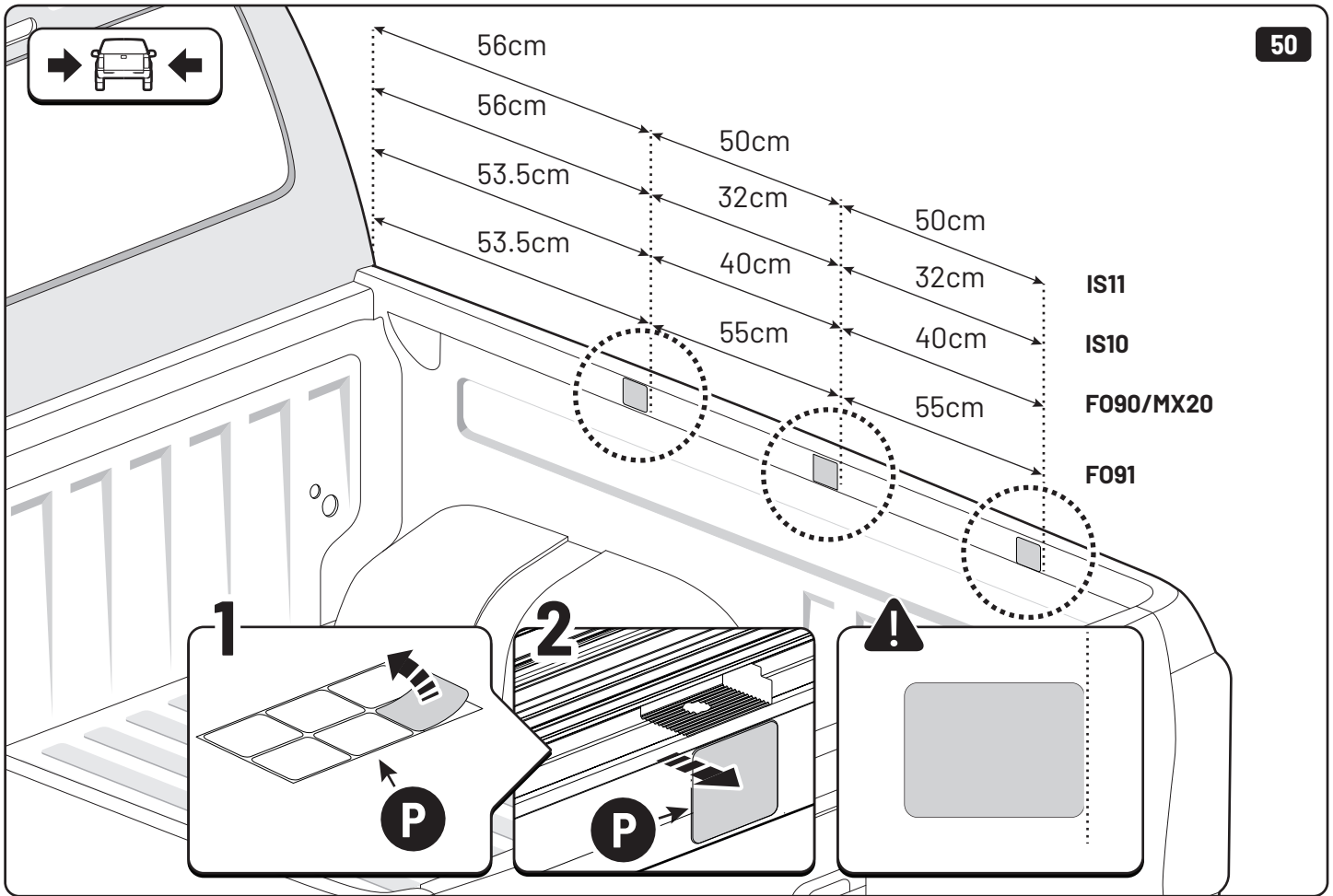


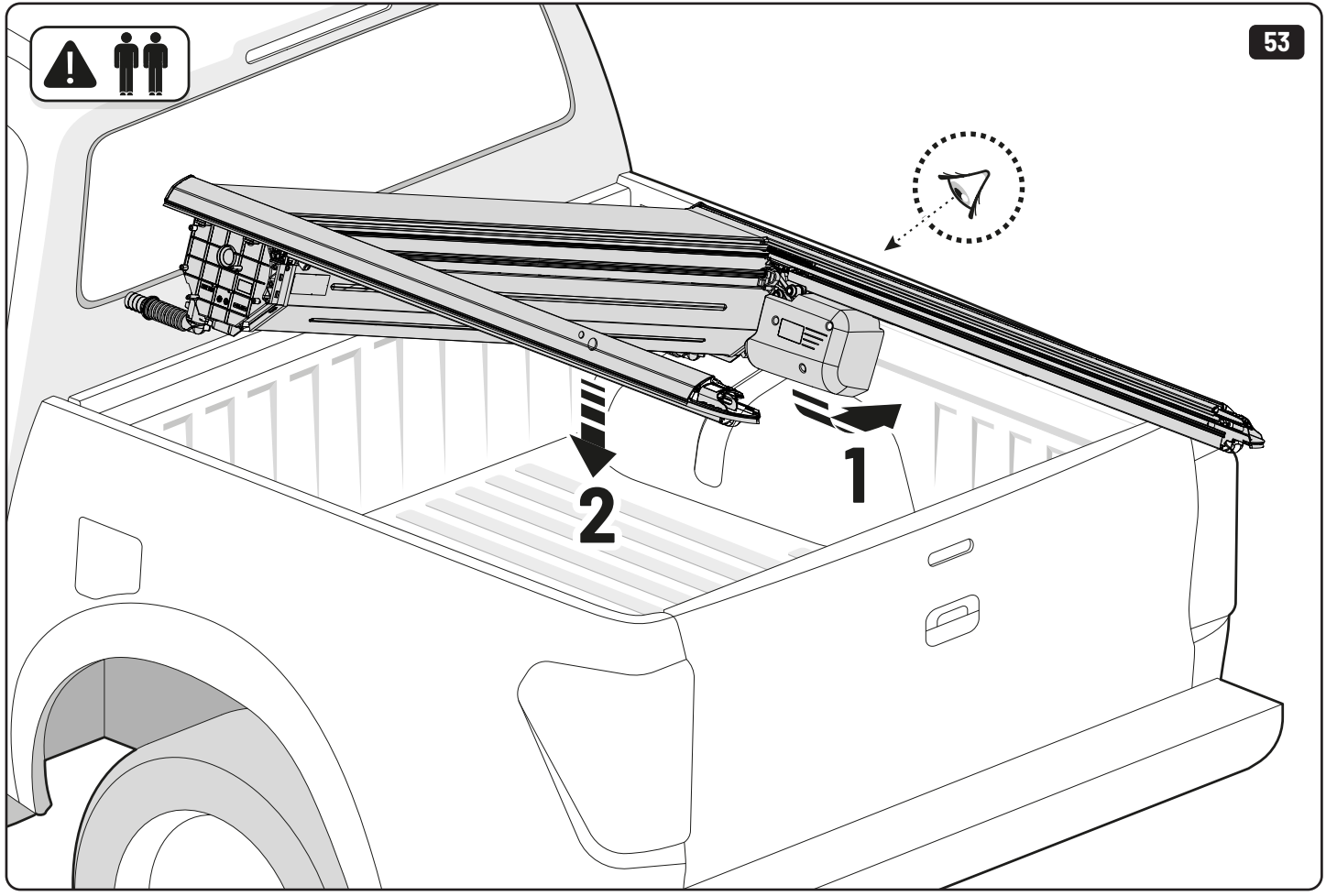
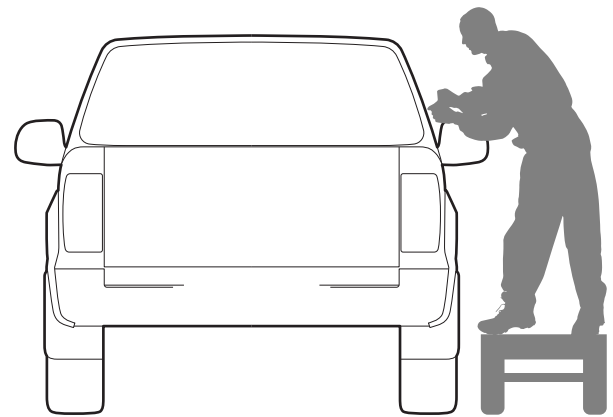
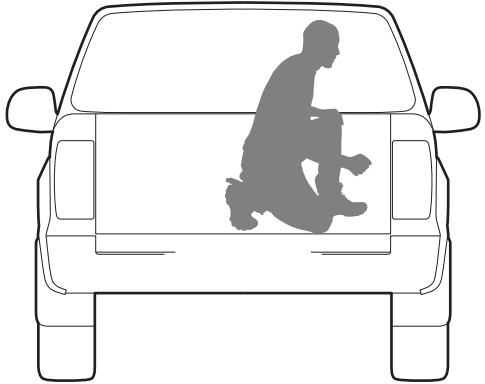


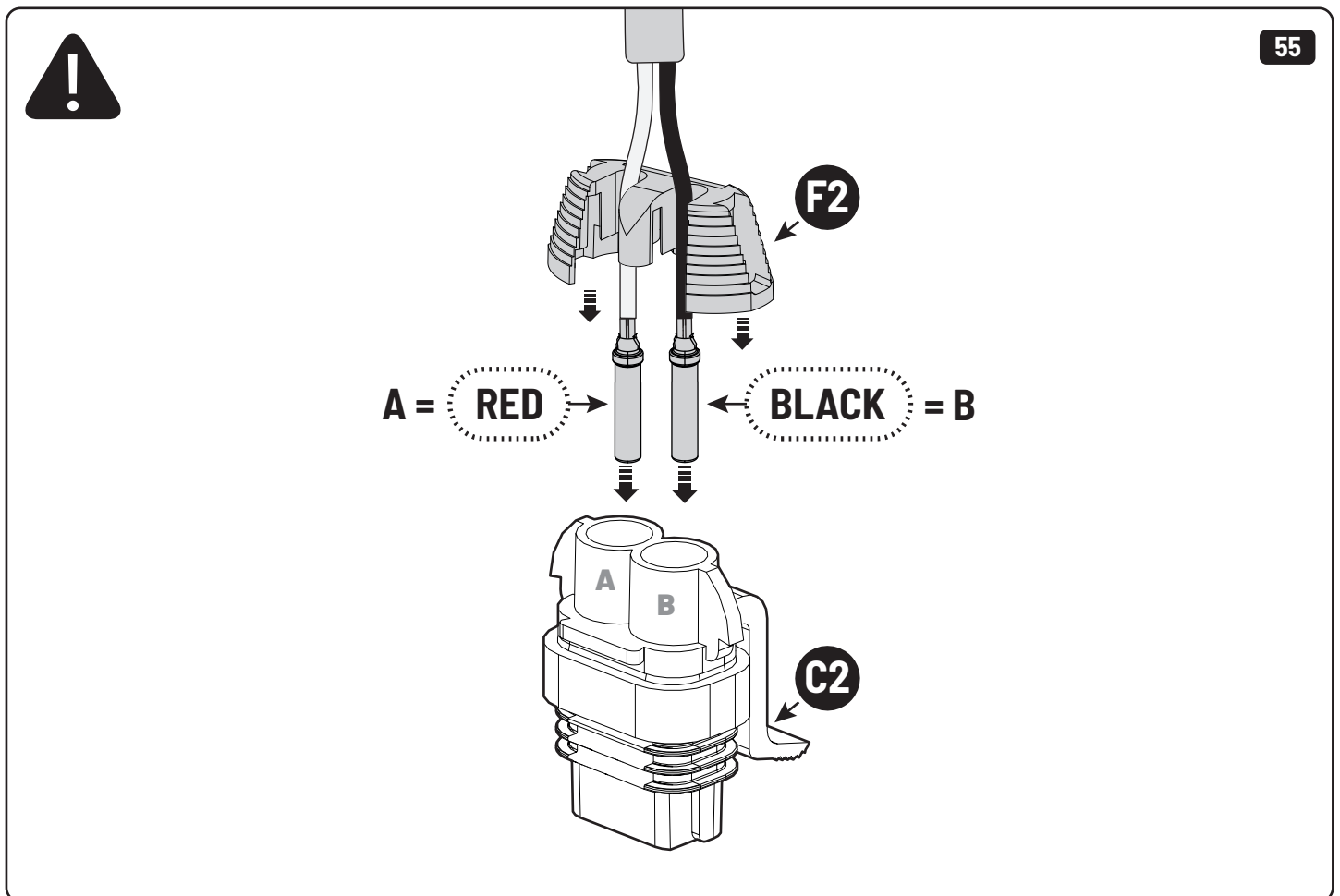
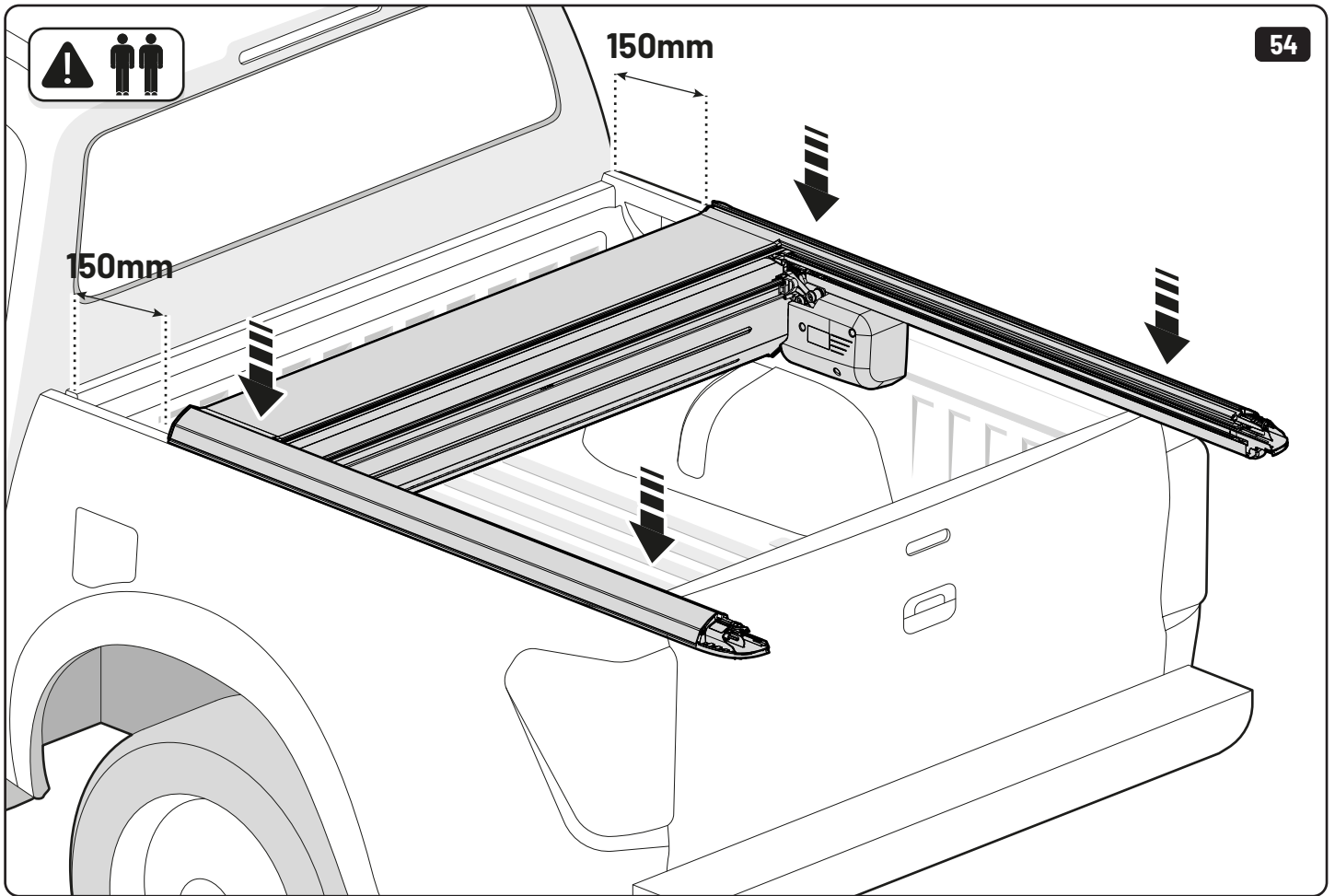
**Only to be installed by authorized personnel**

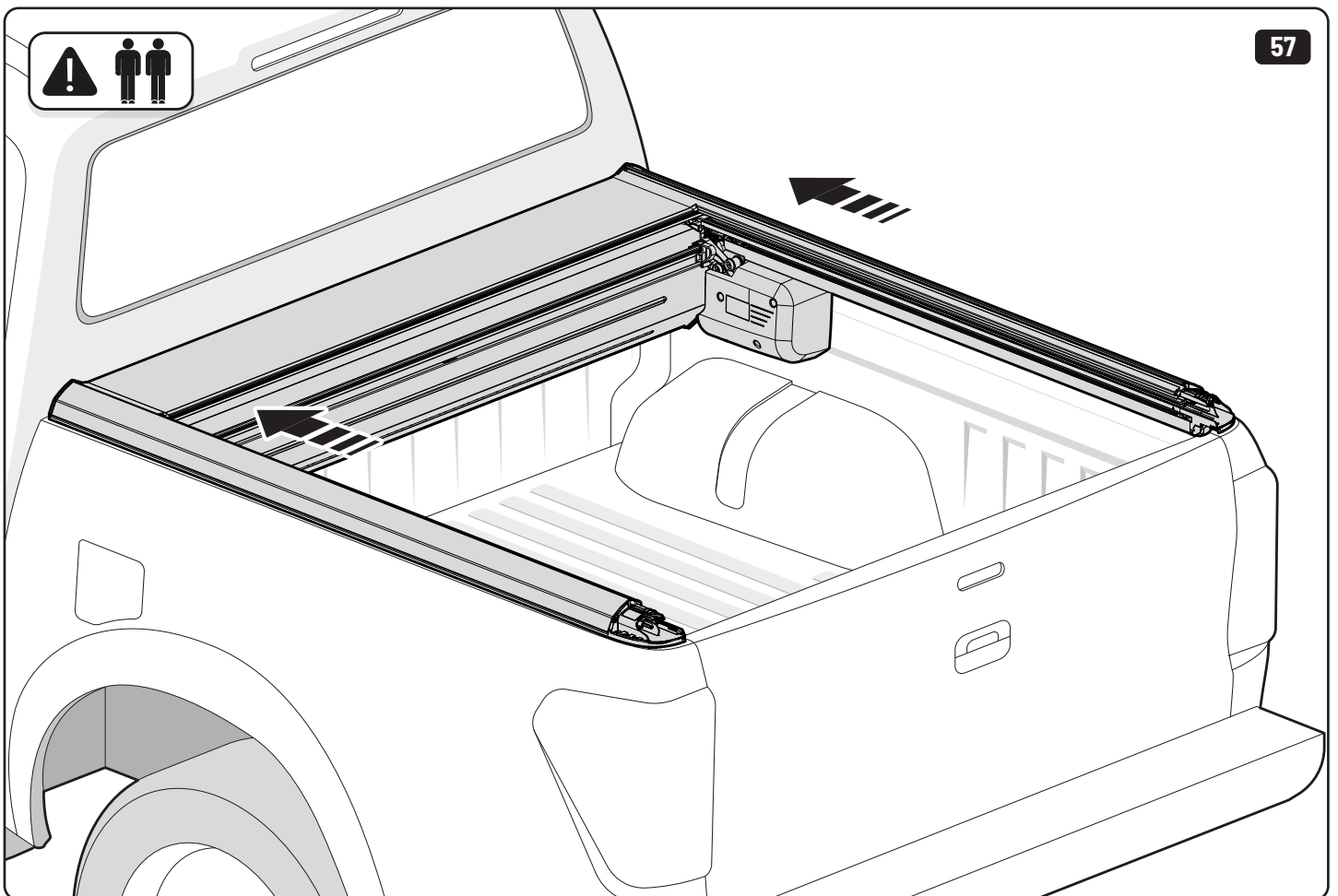
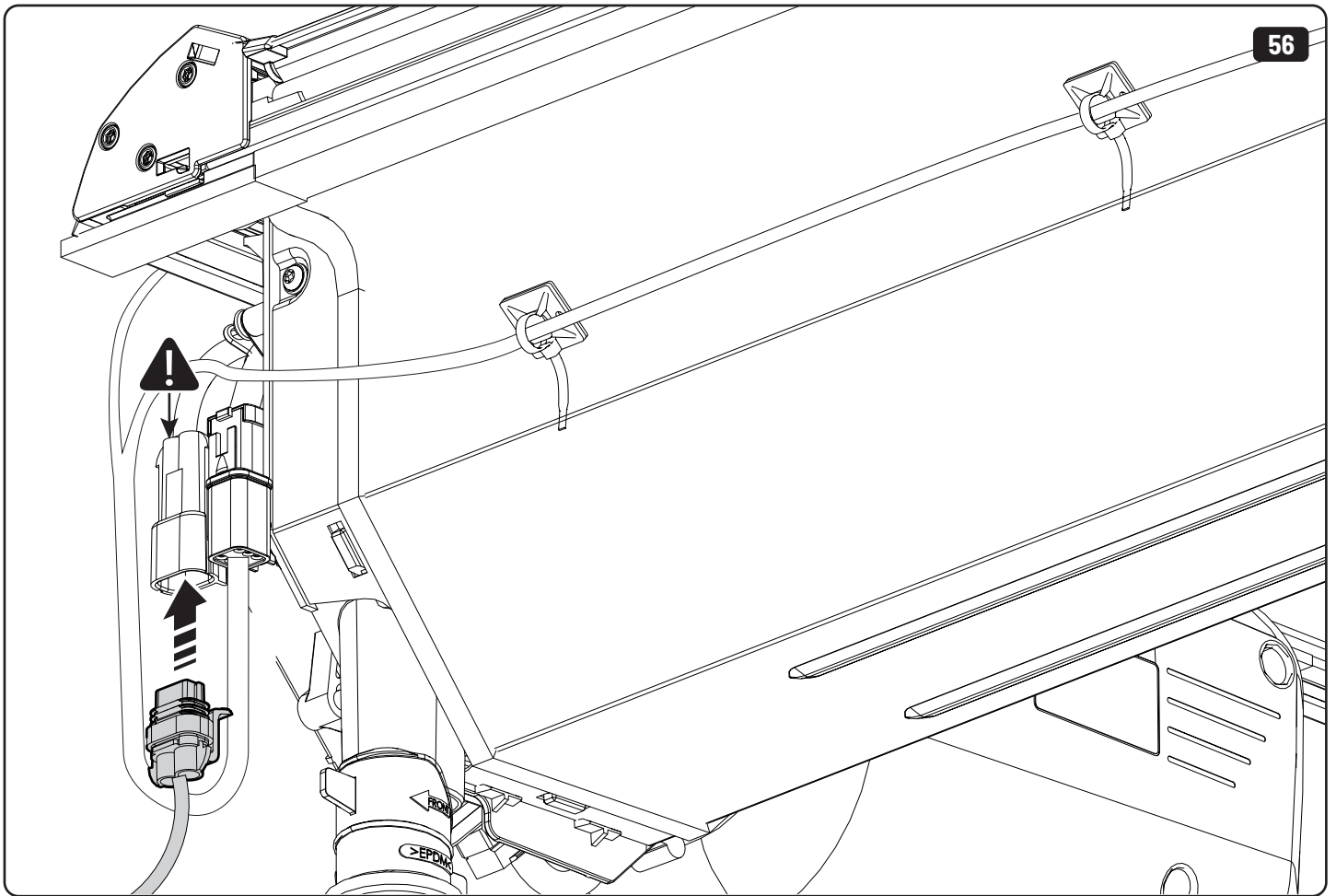


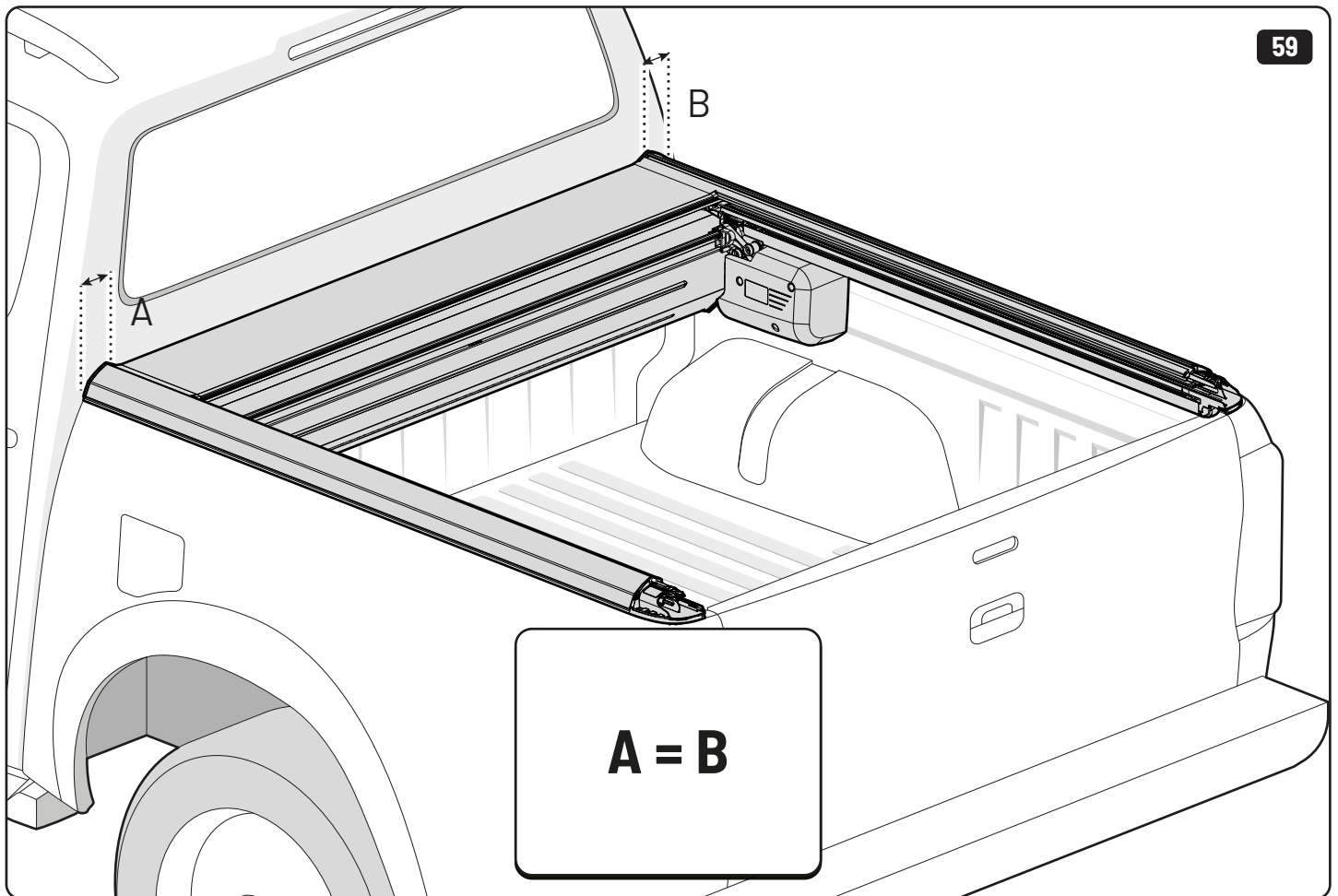
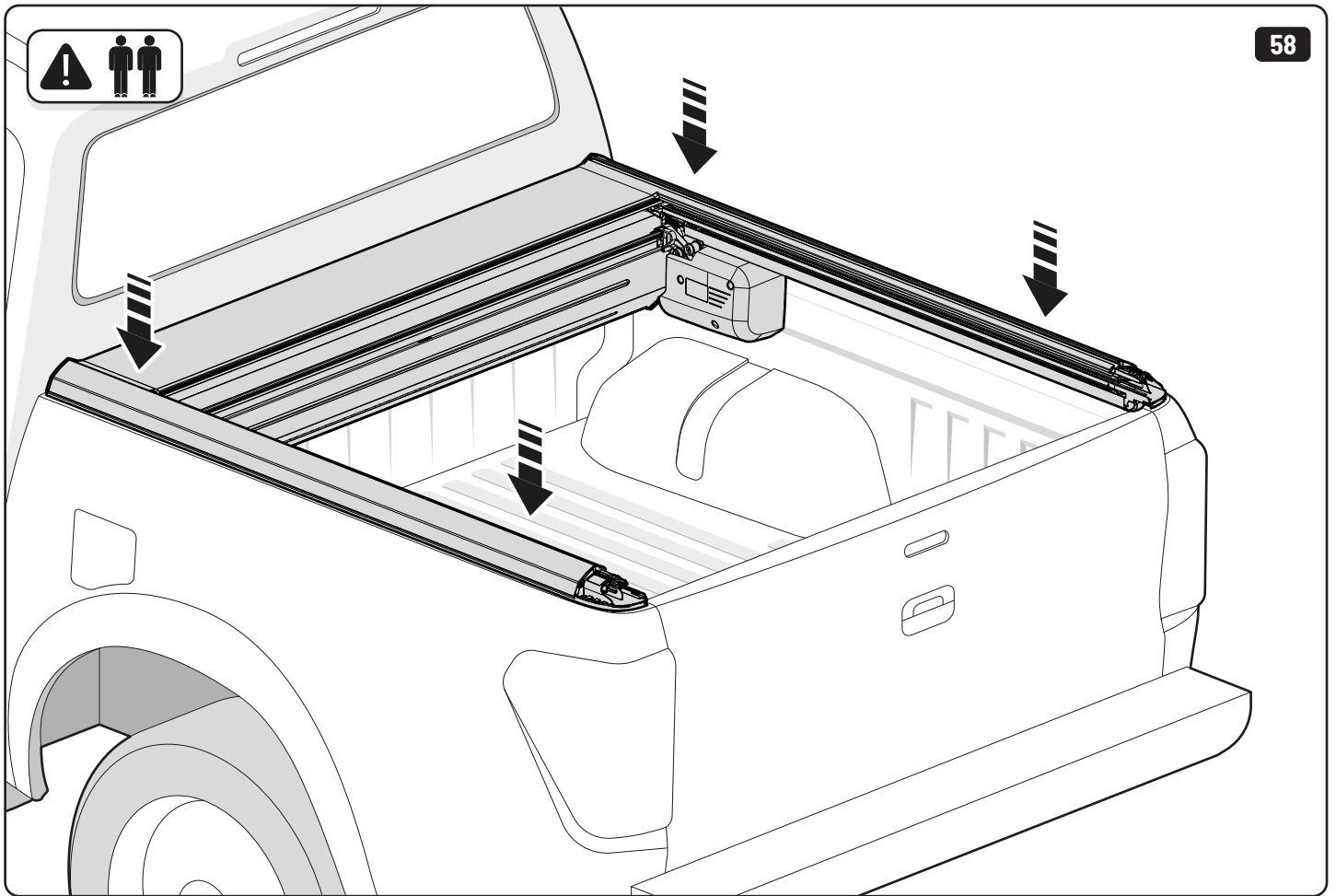


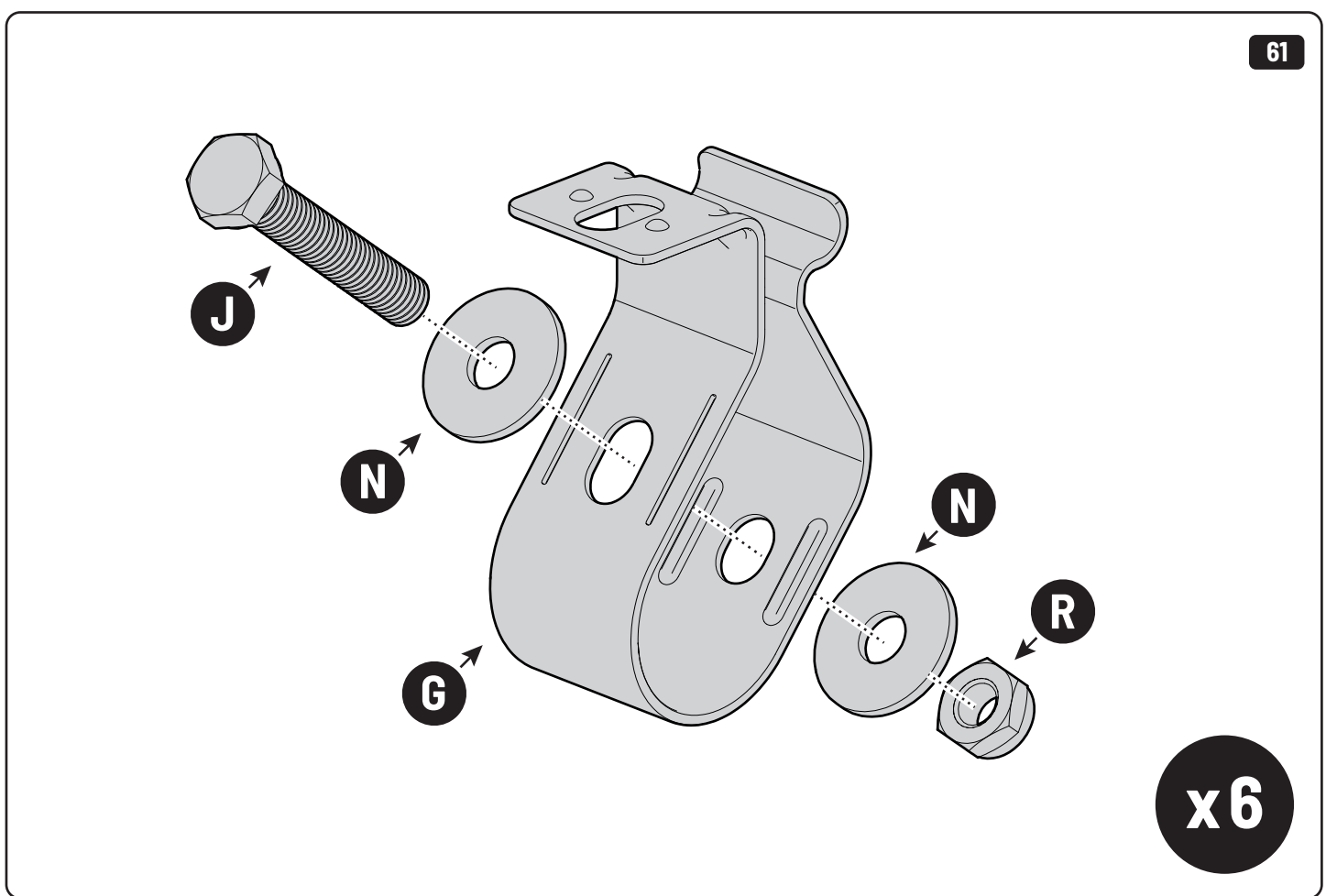
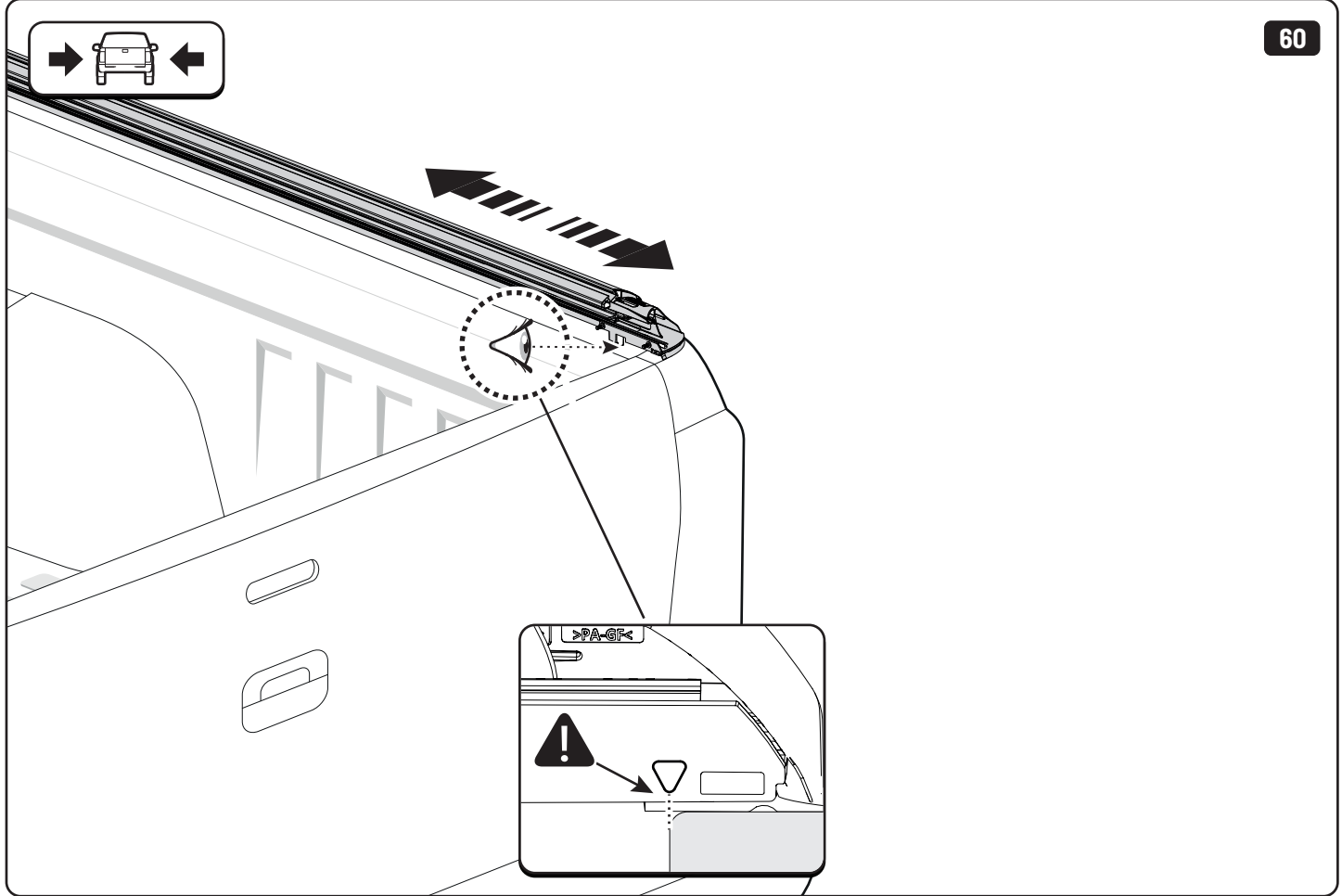




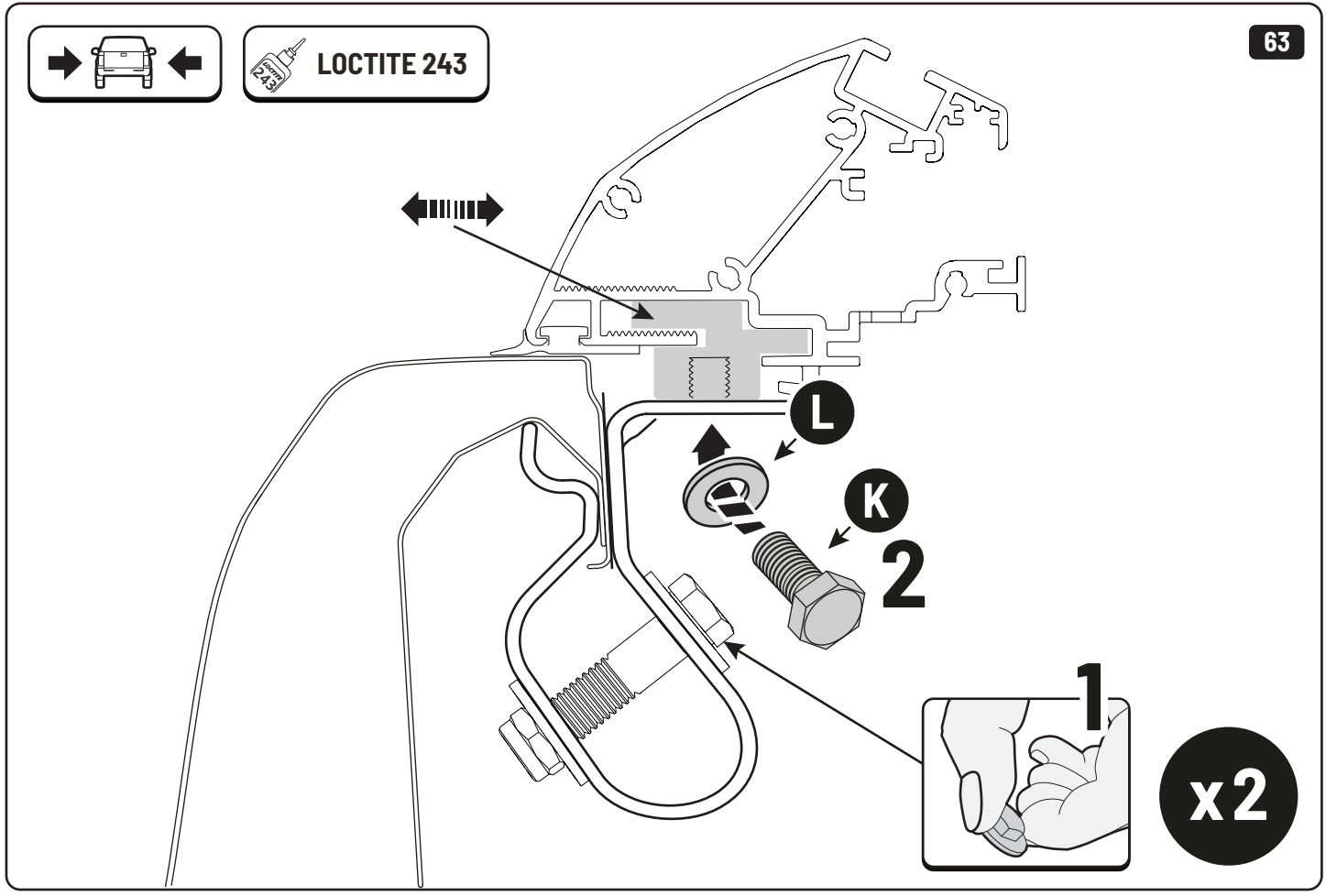
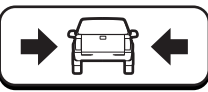
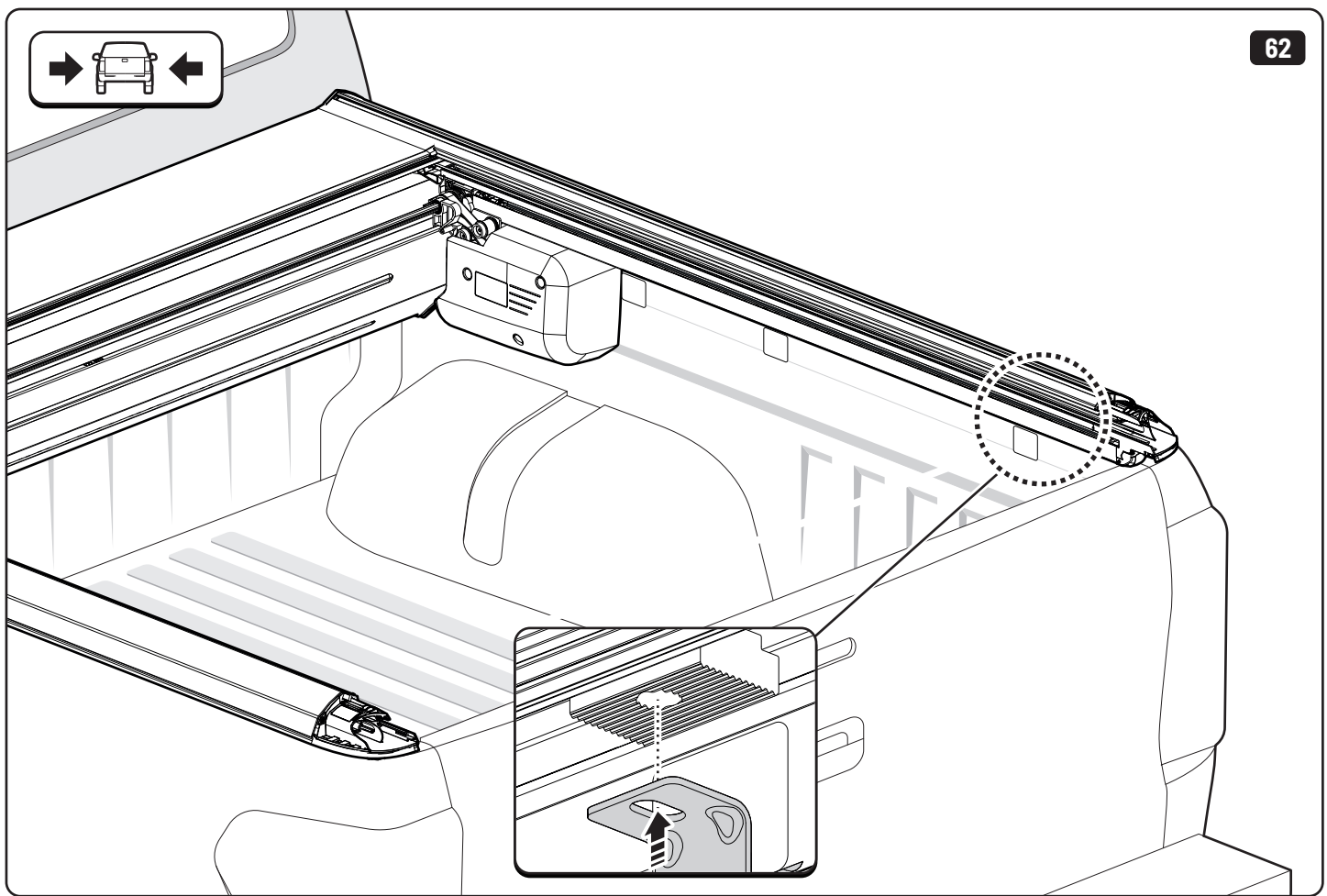


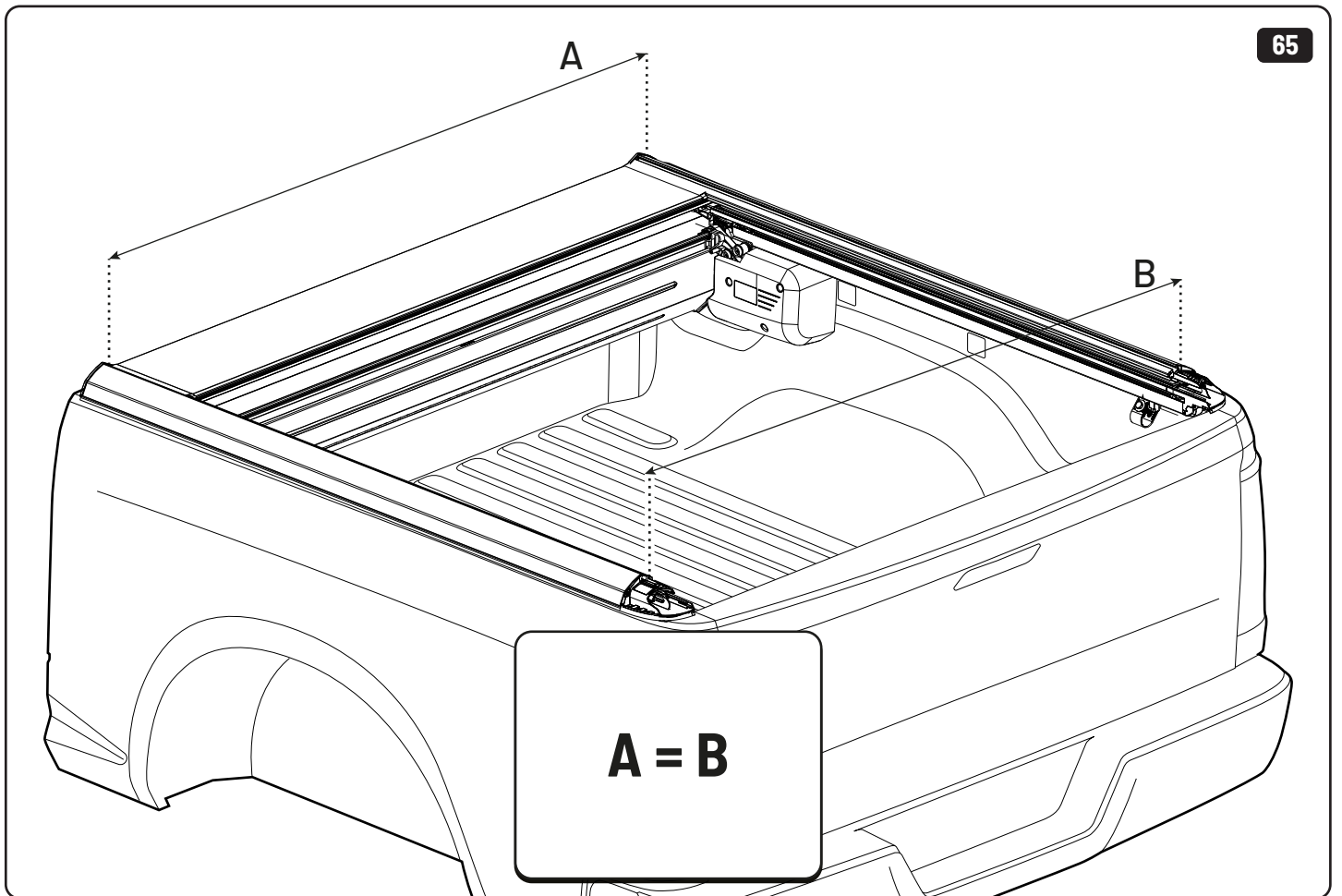
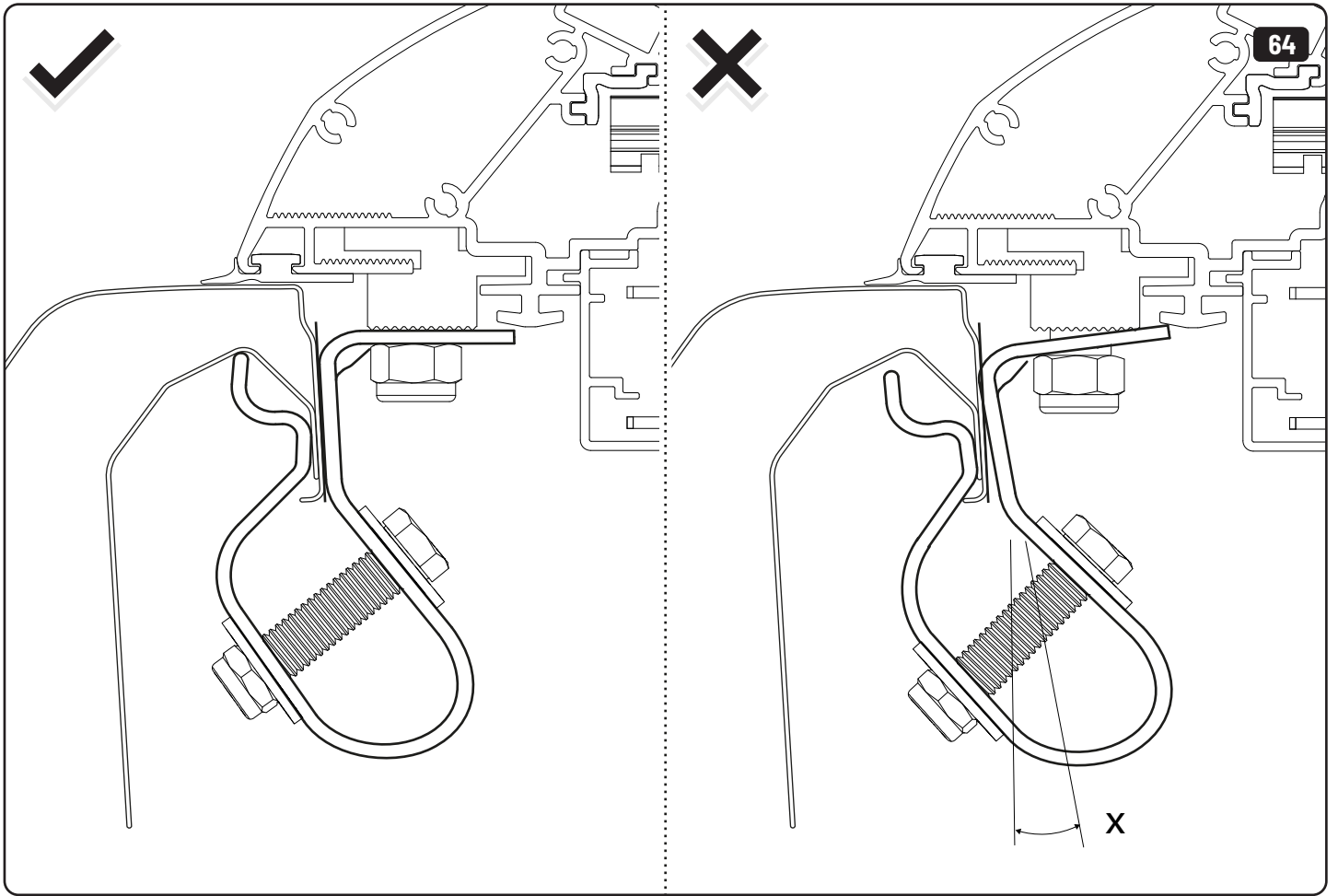


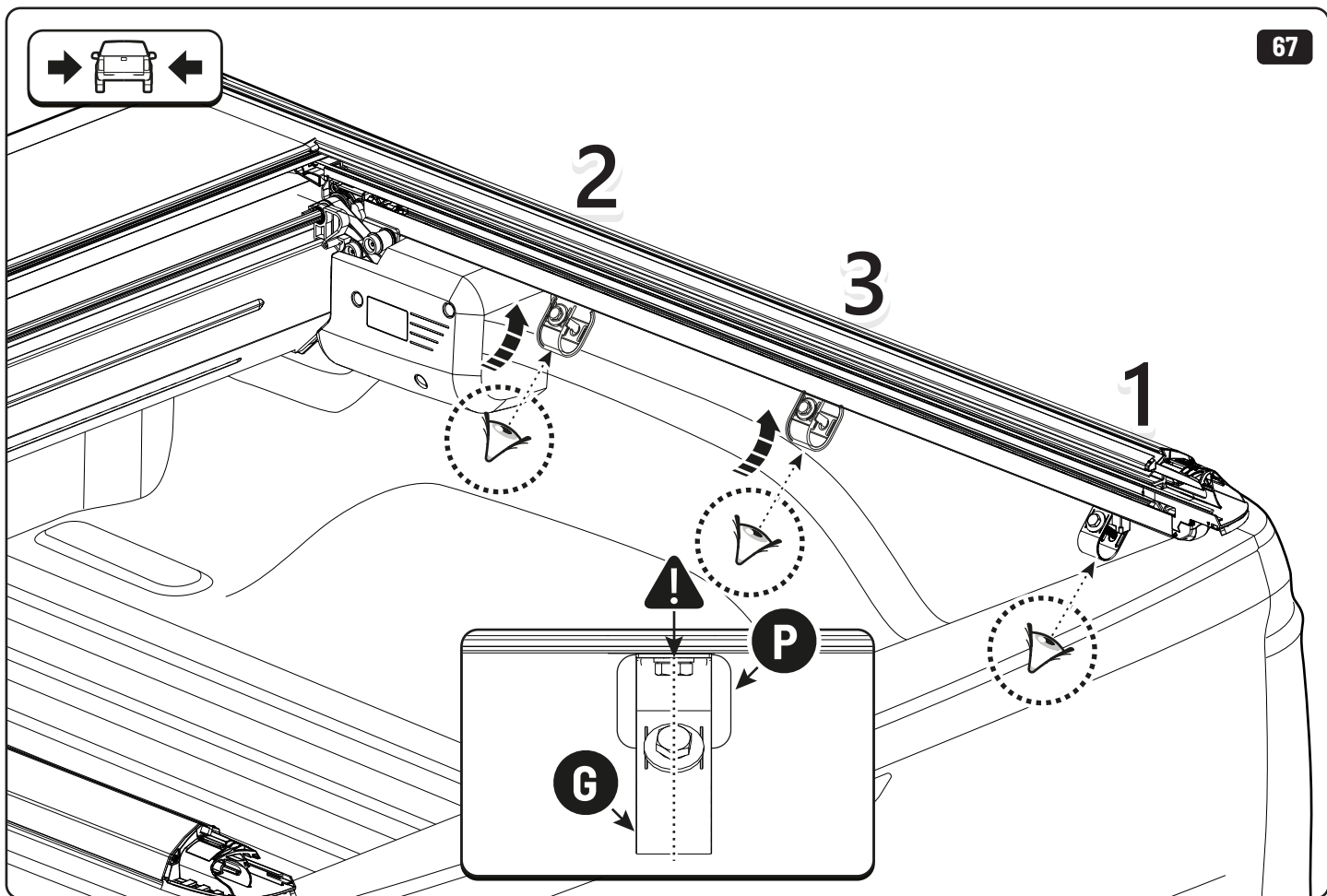
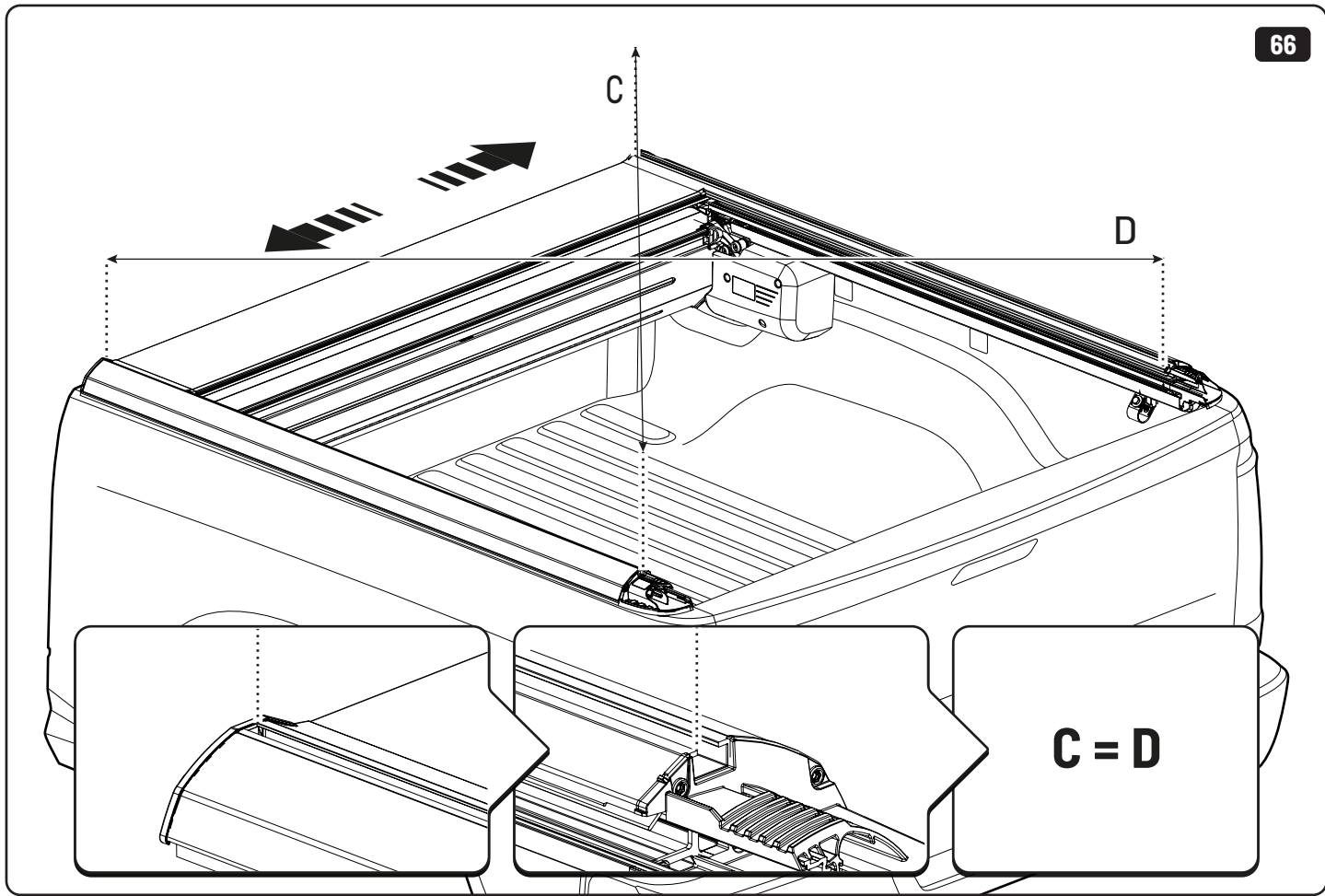


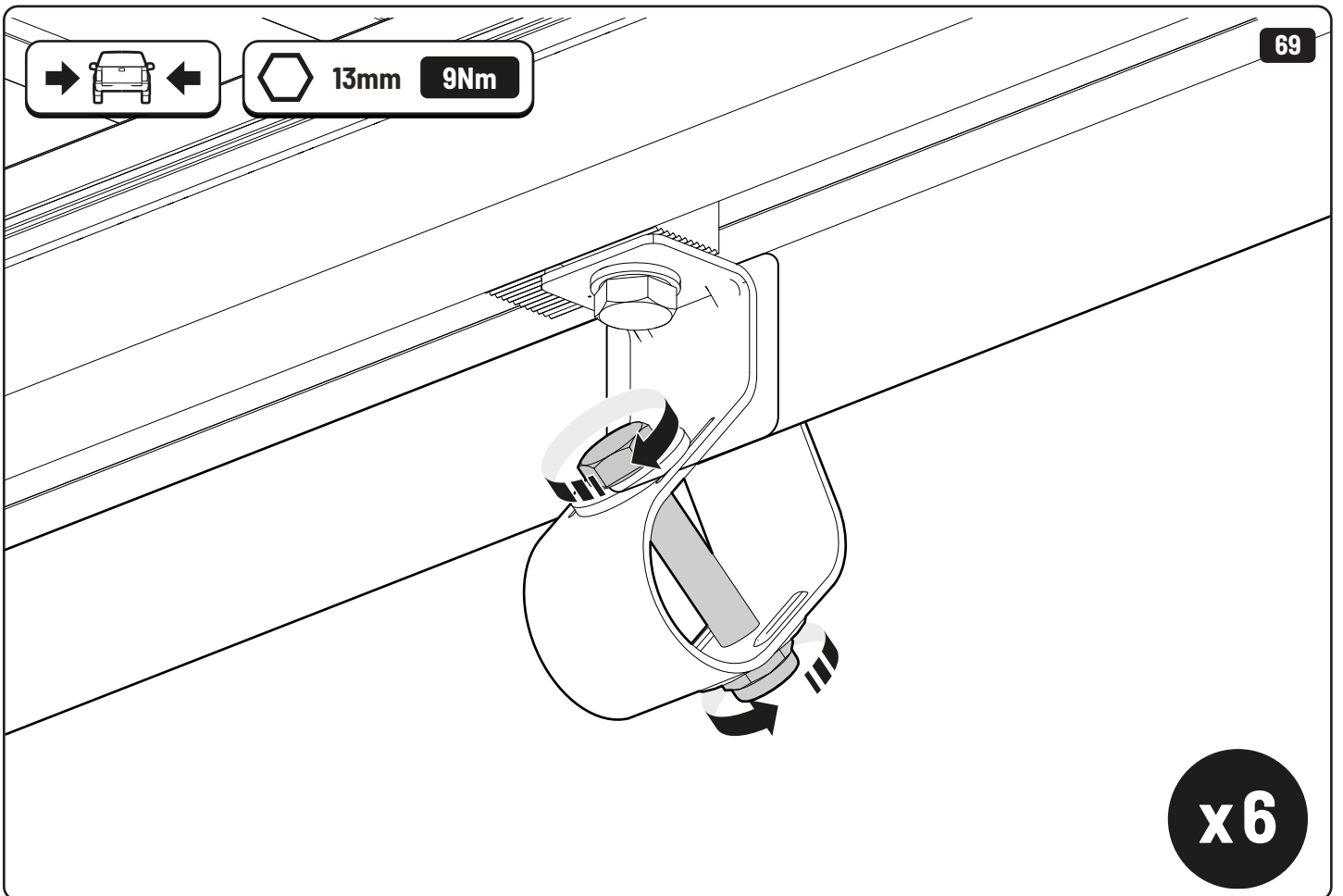
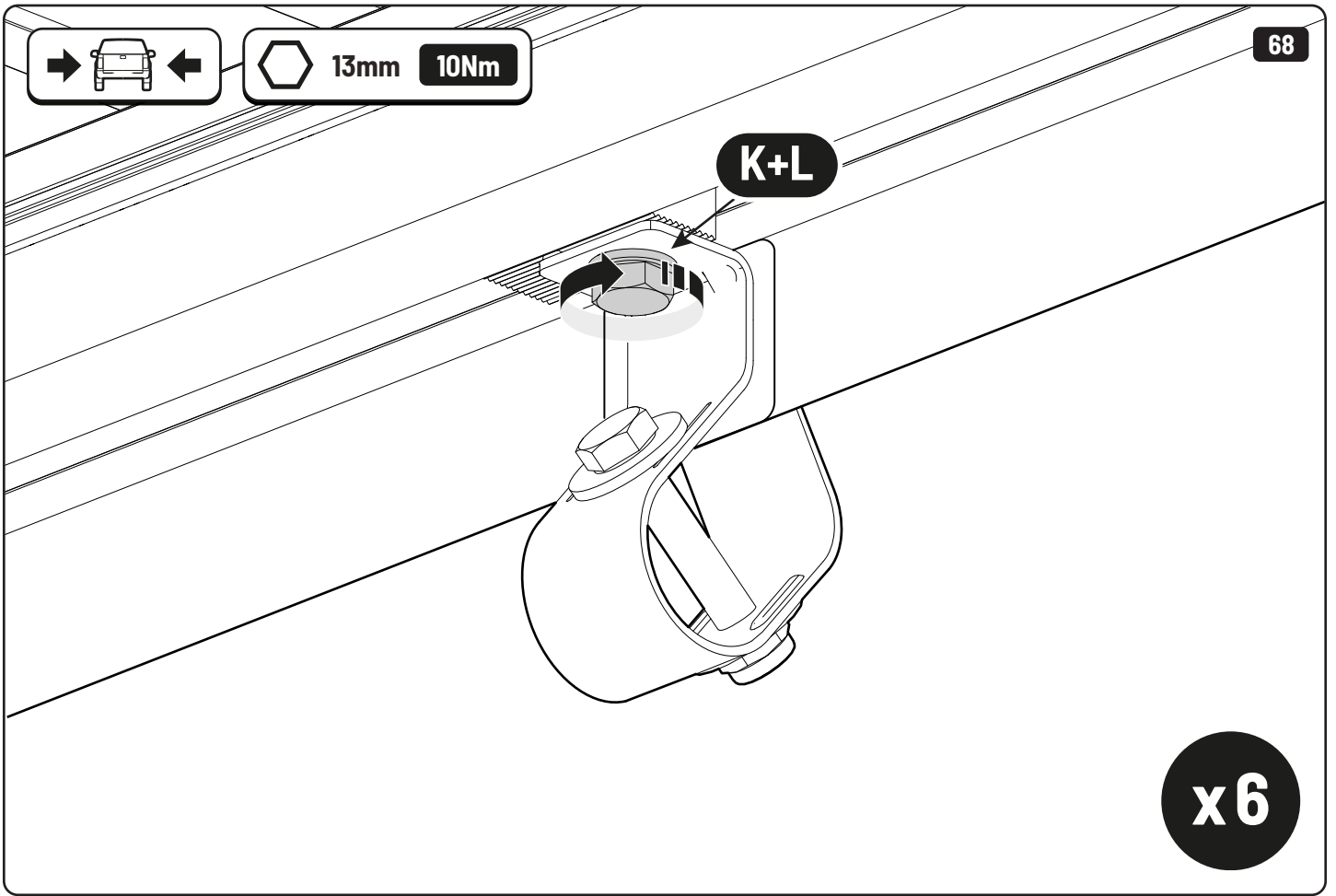


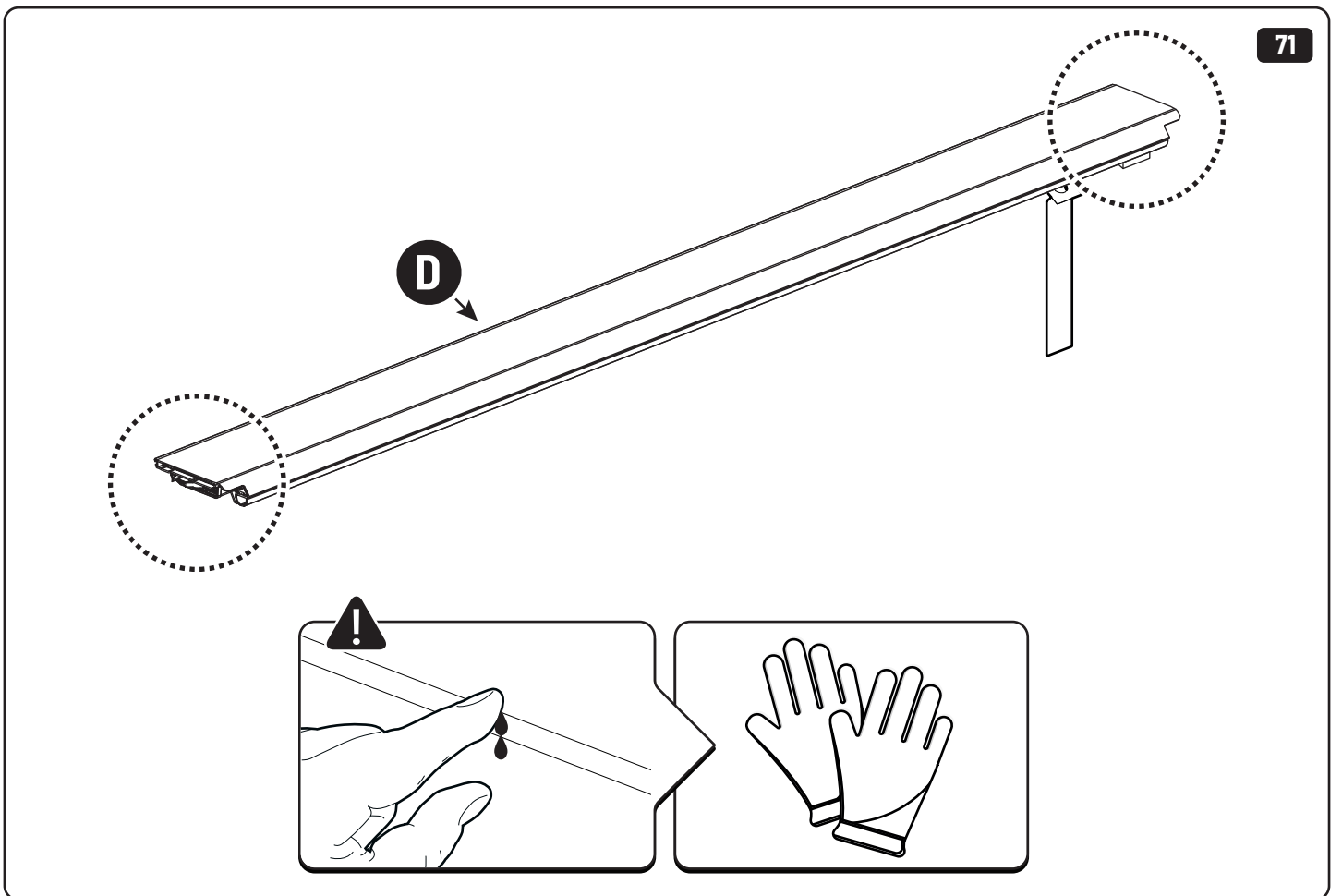
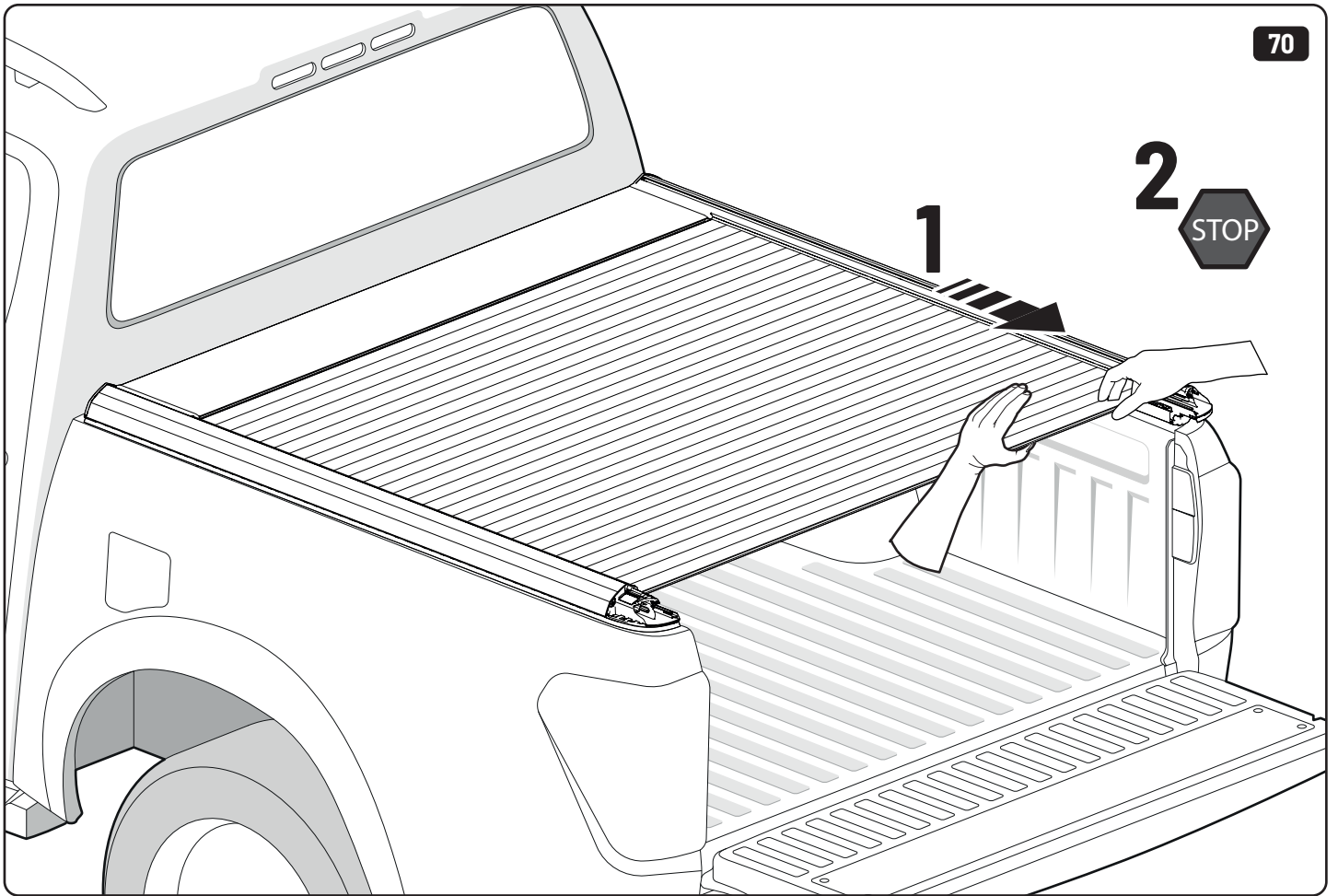
x6

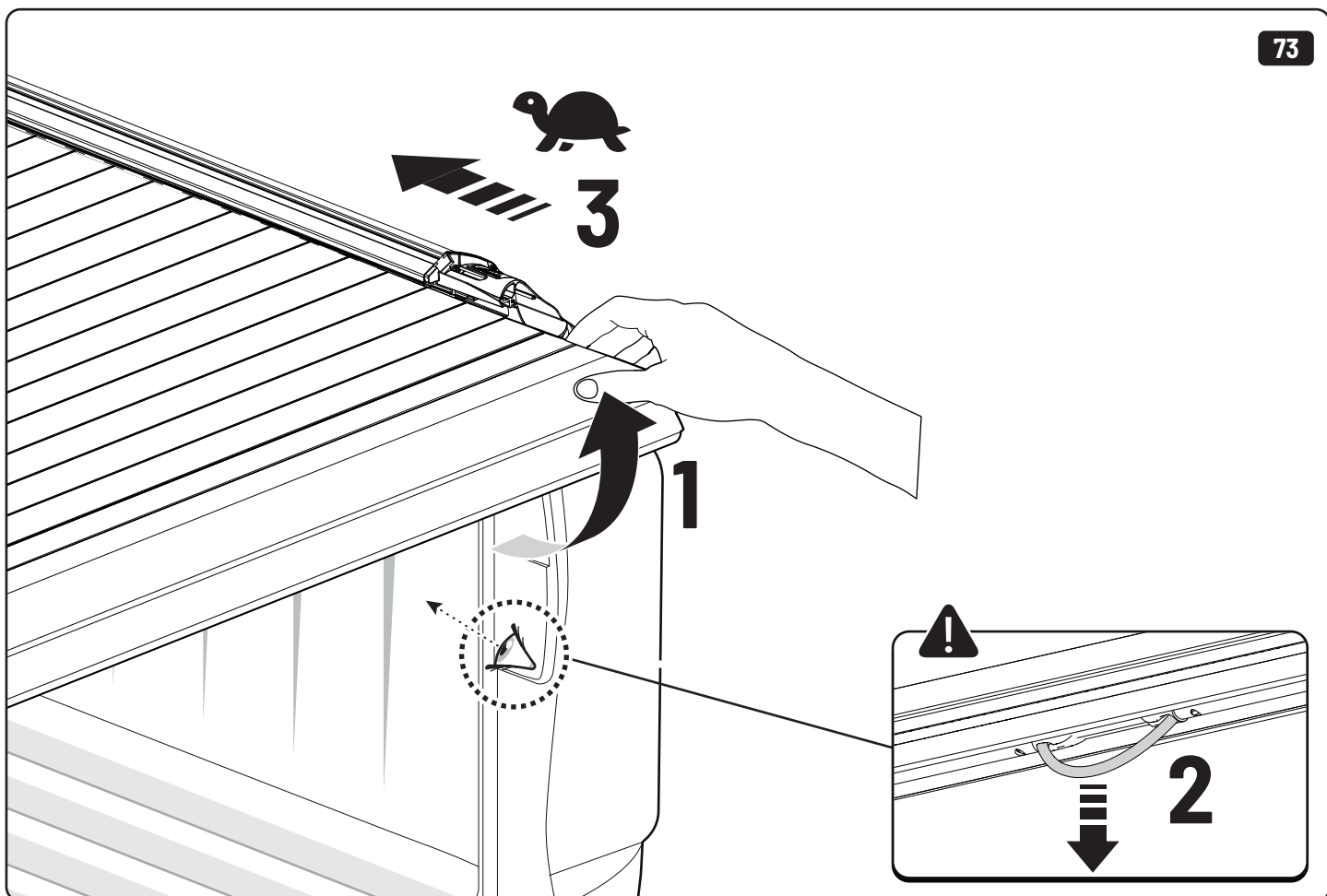
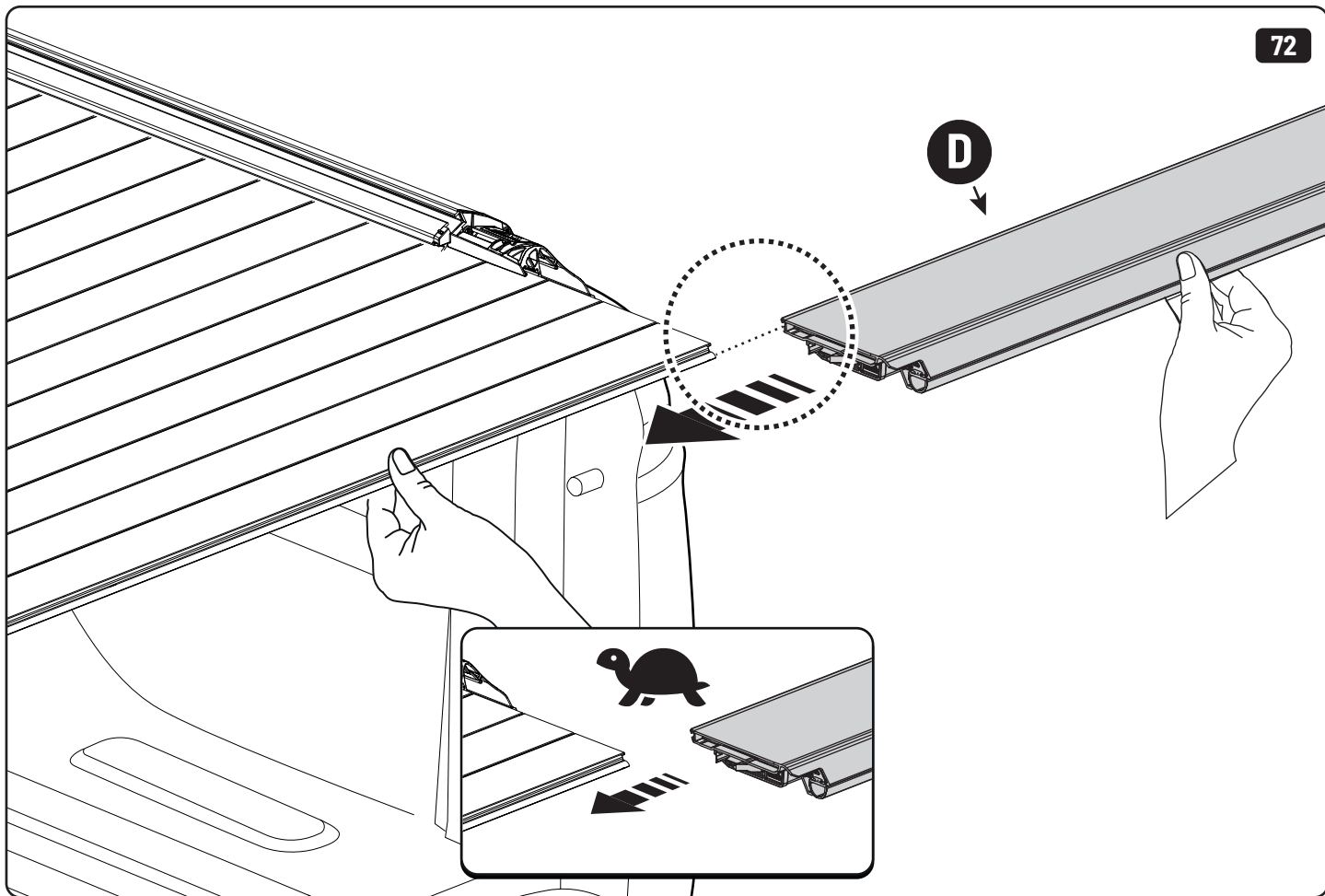


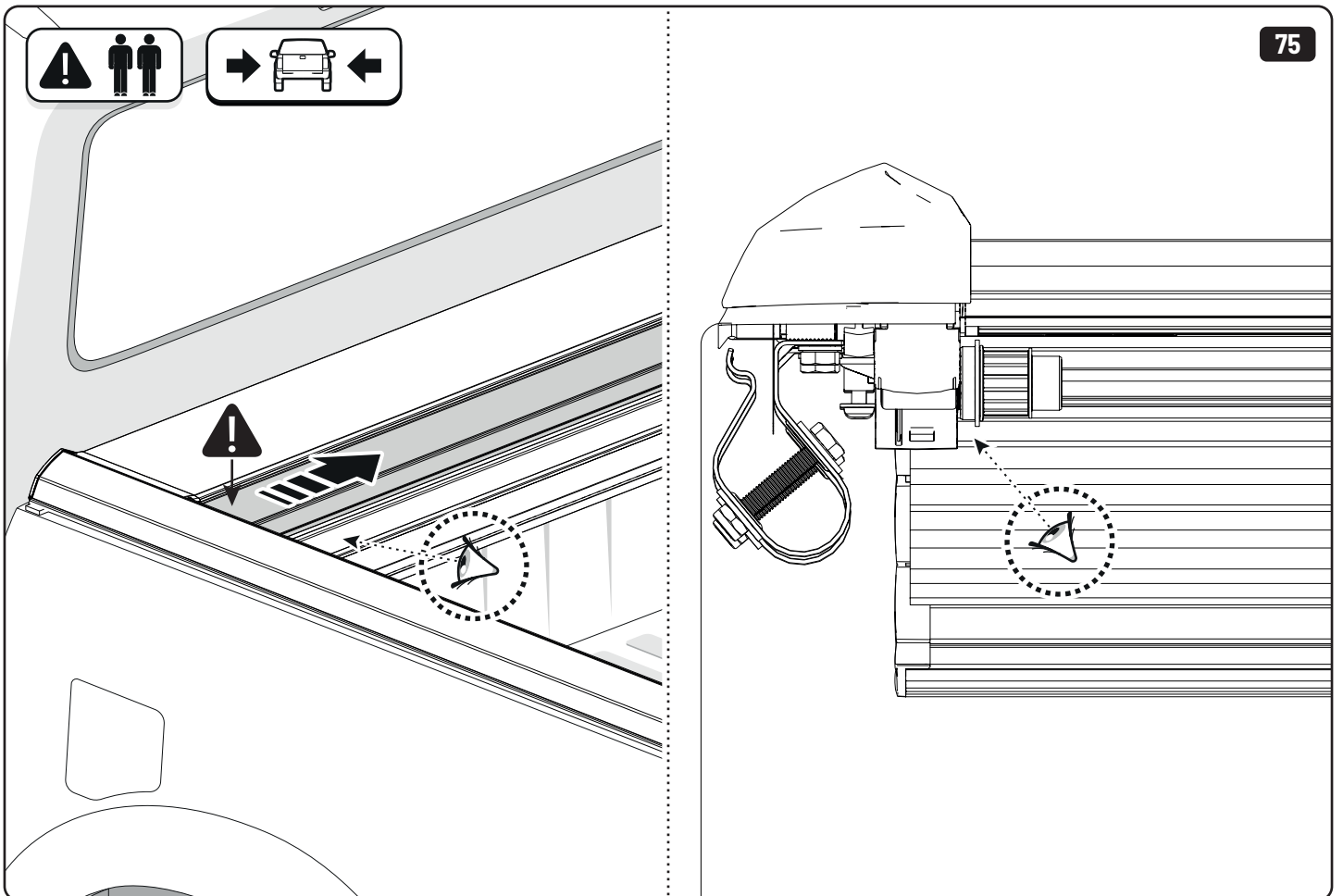
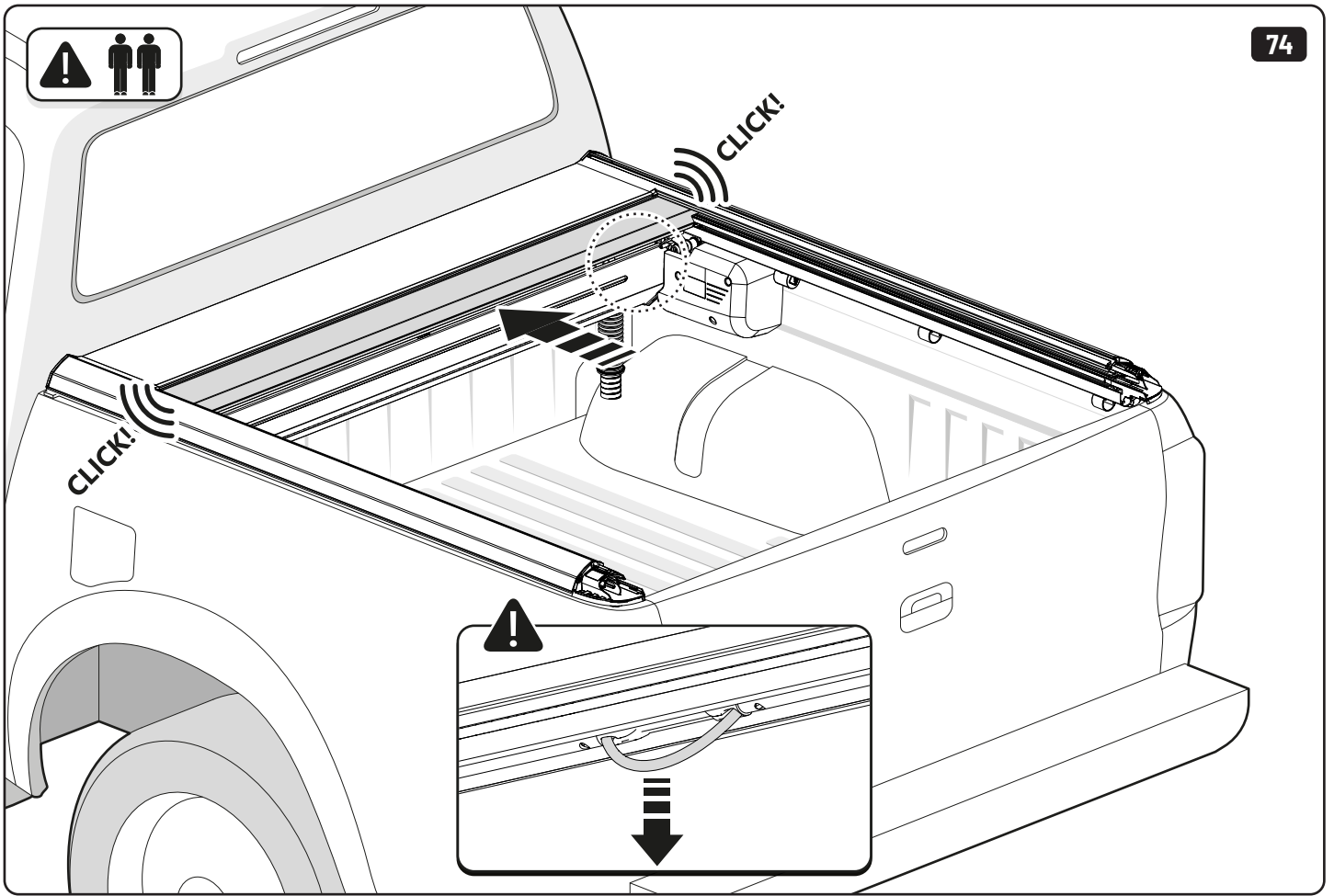


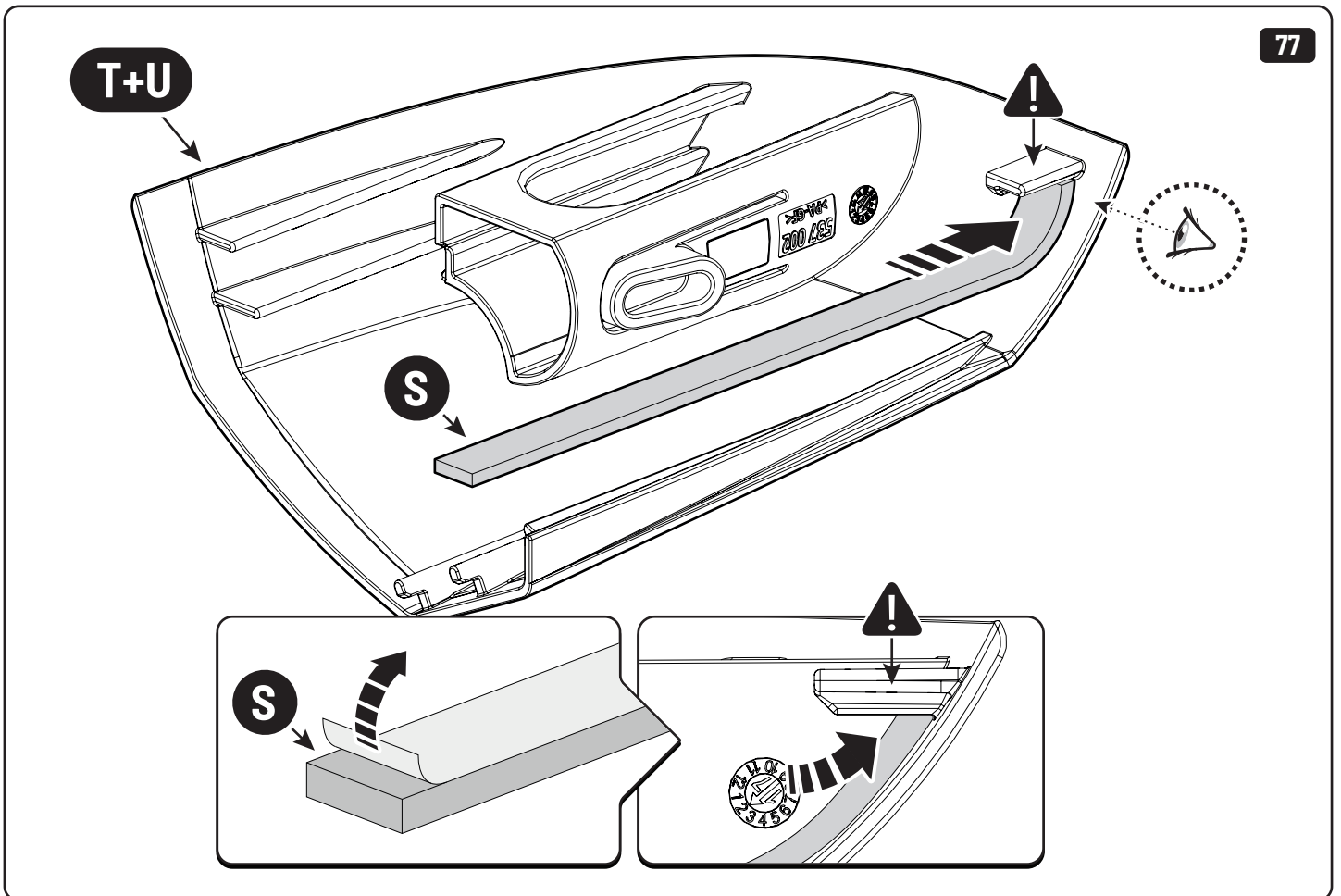
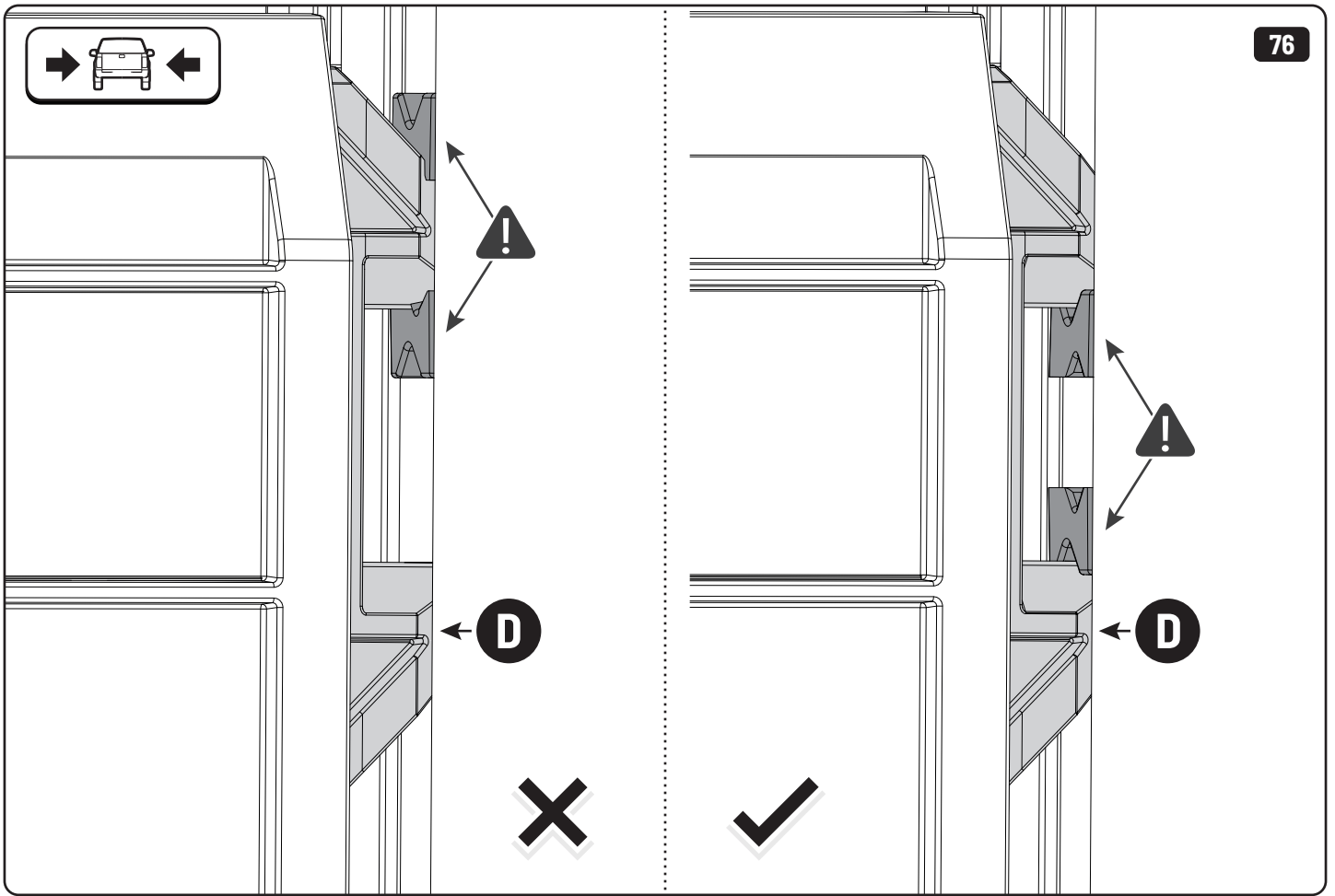


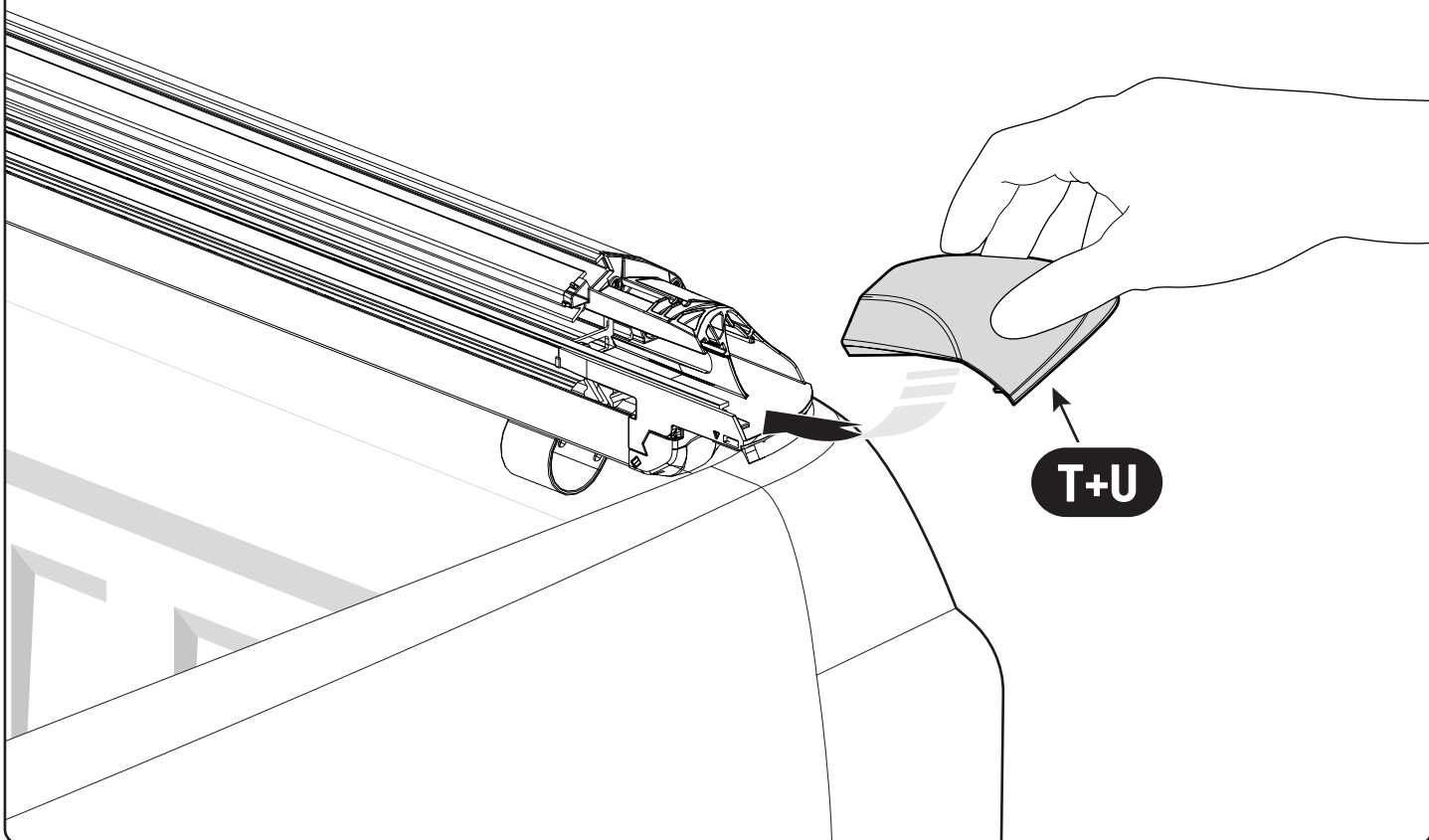
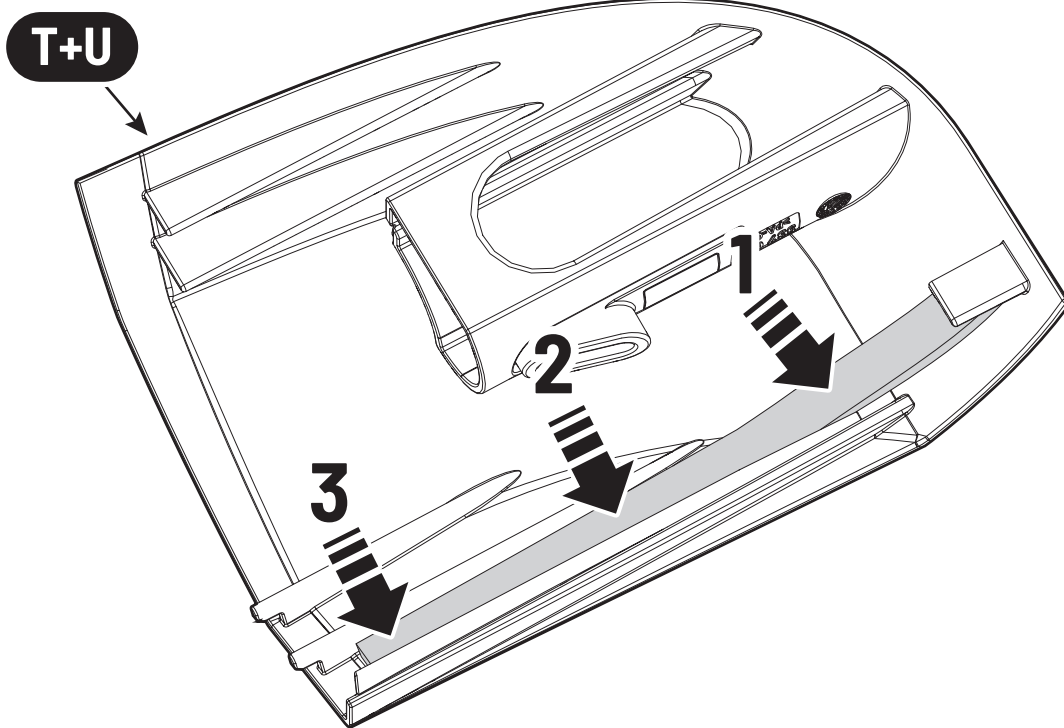


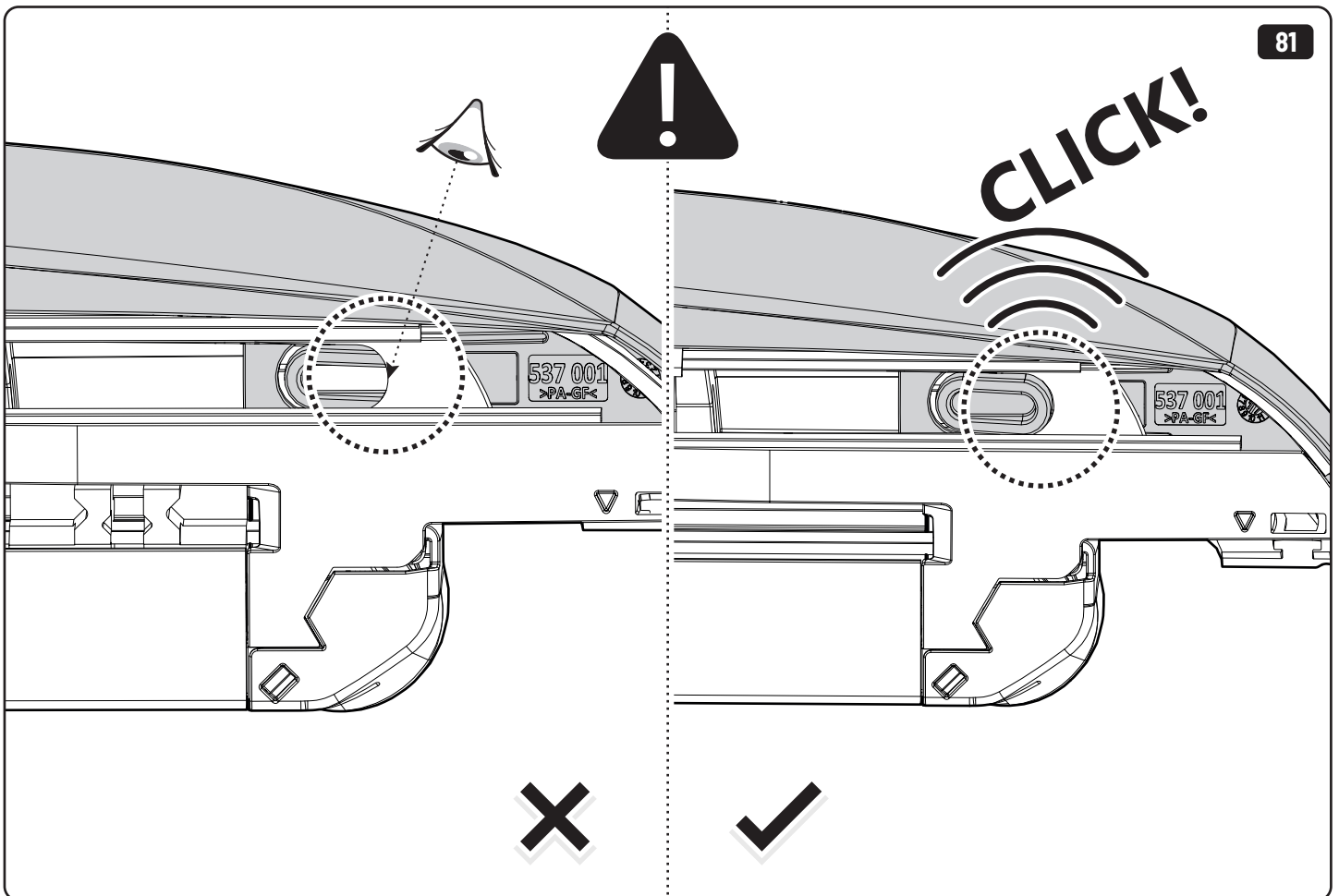
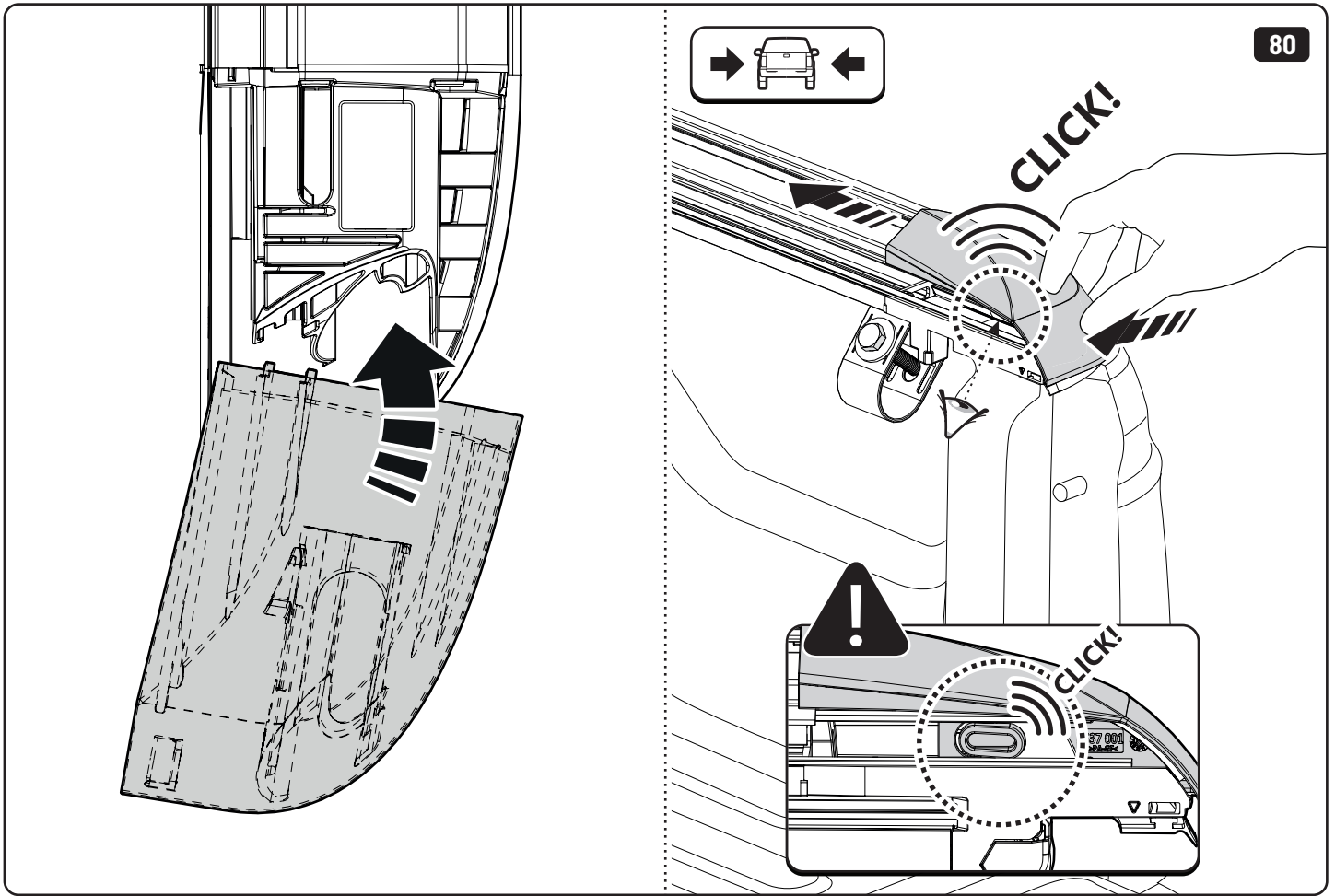


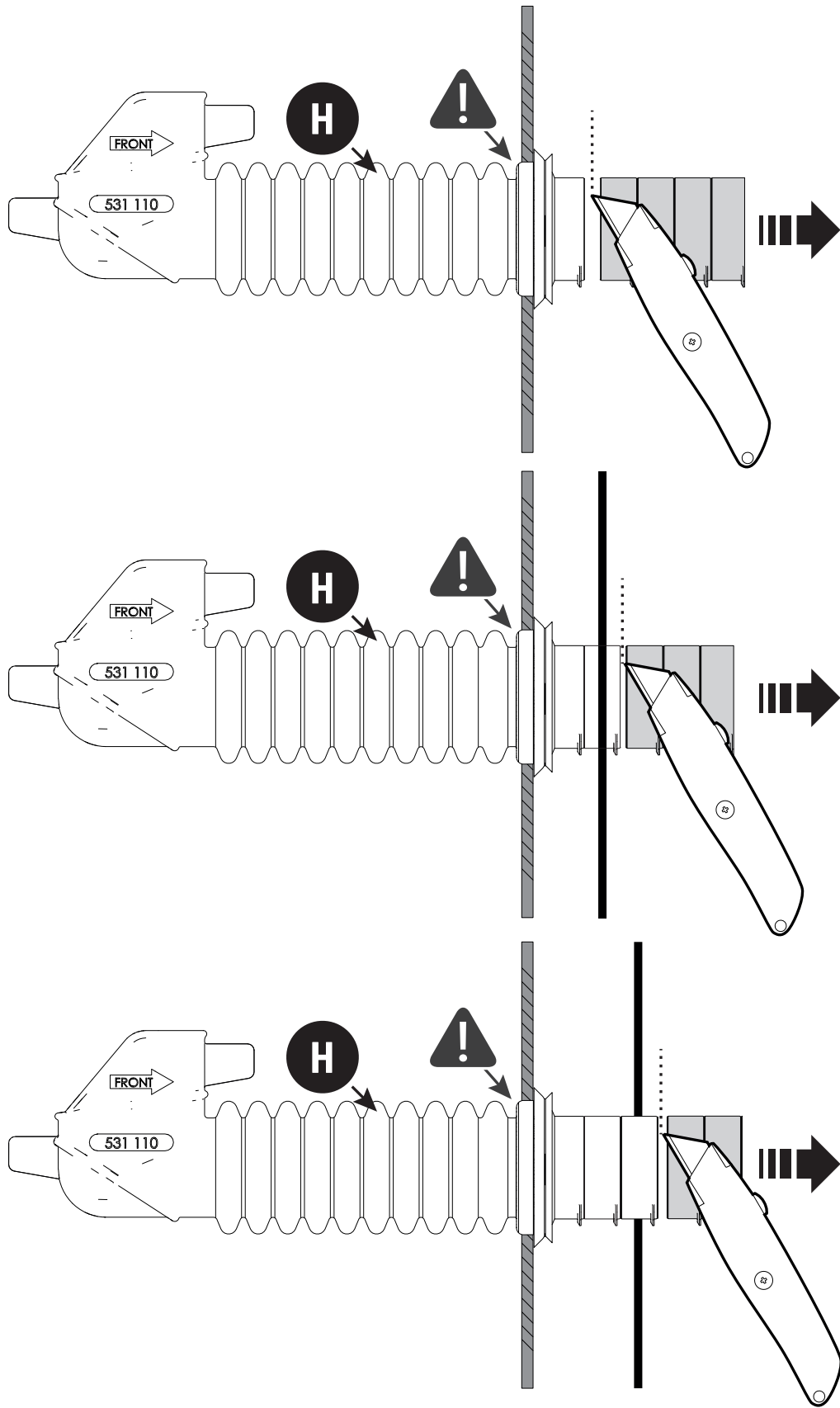


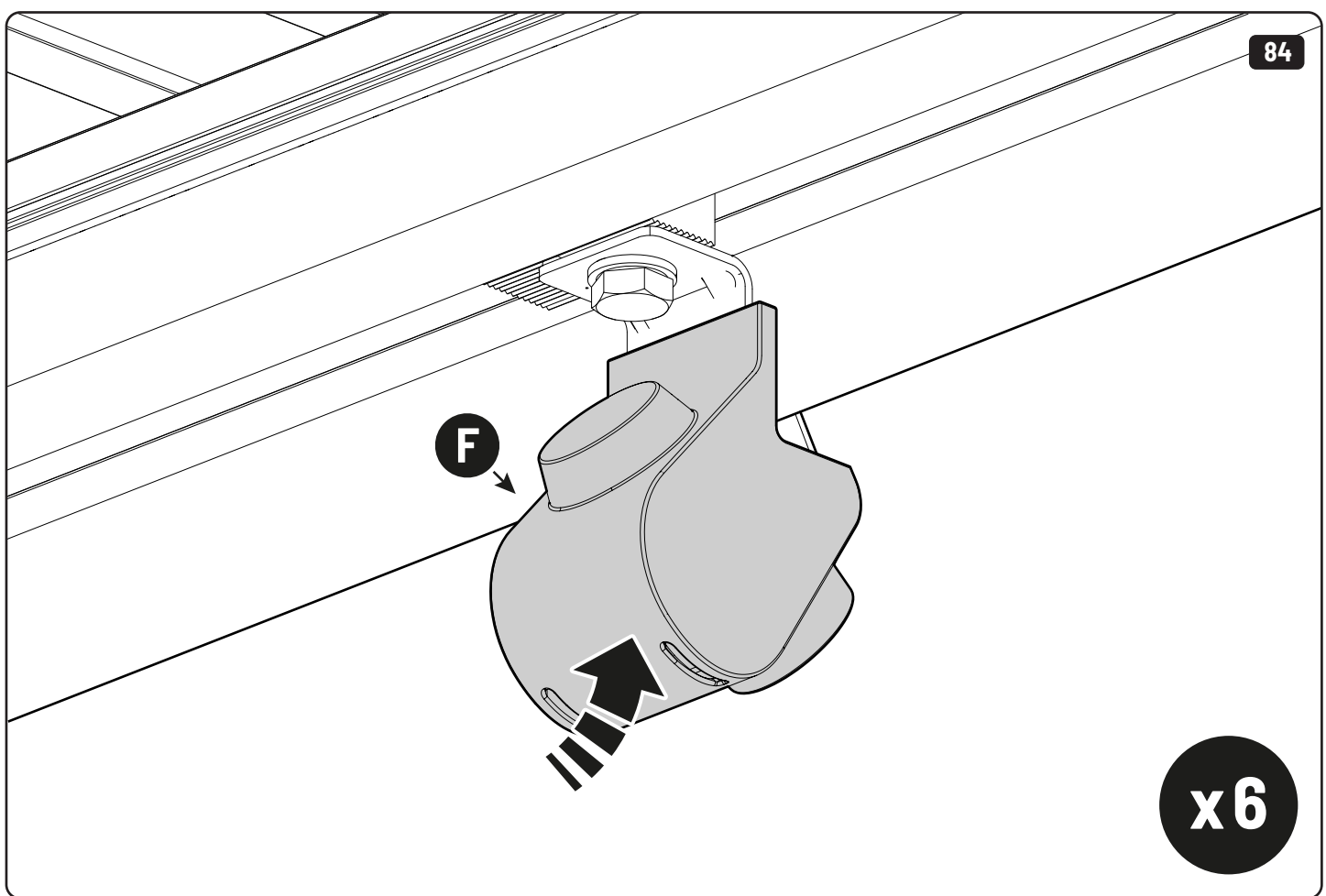
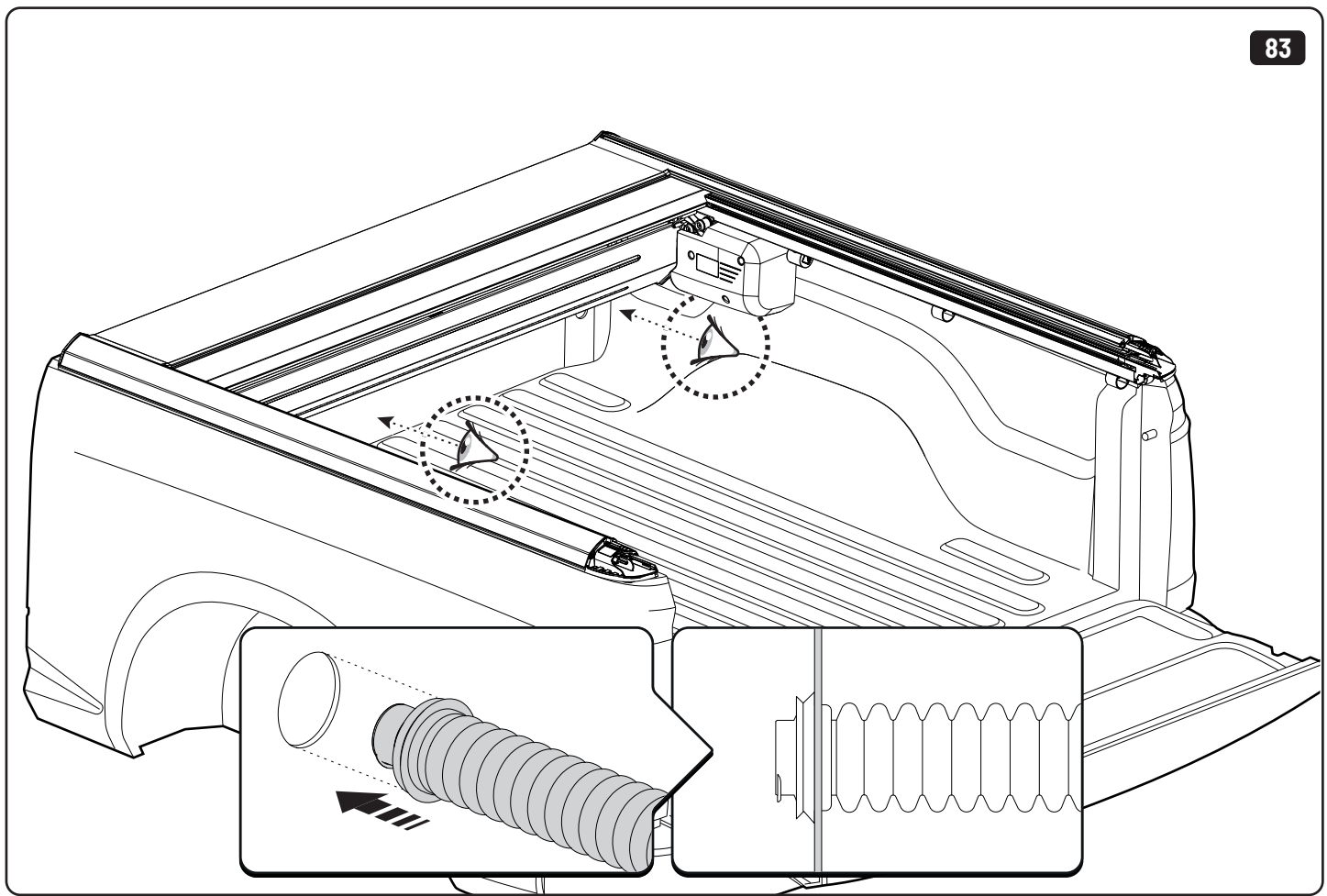


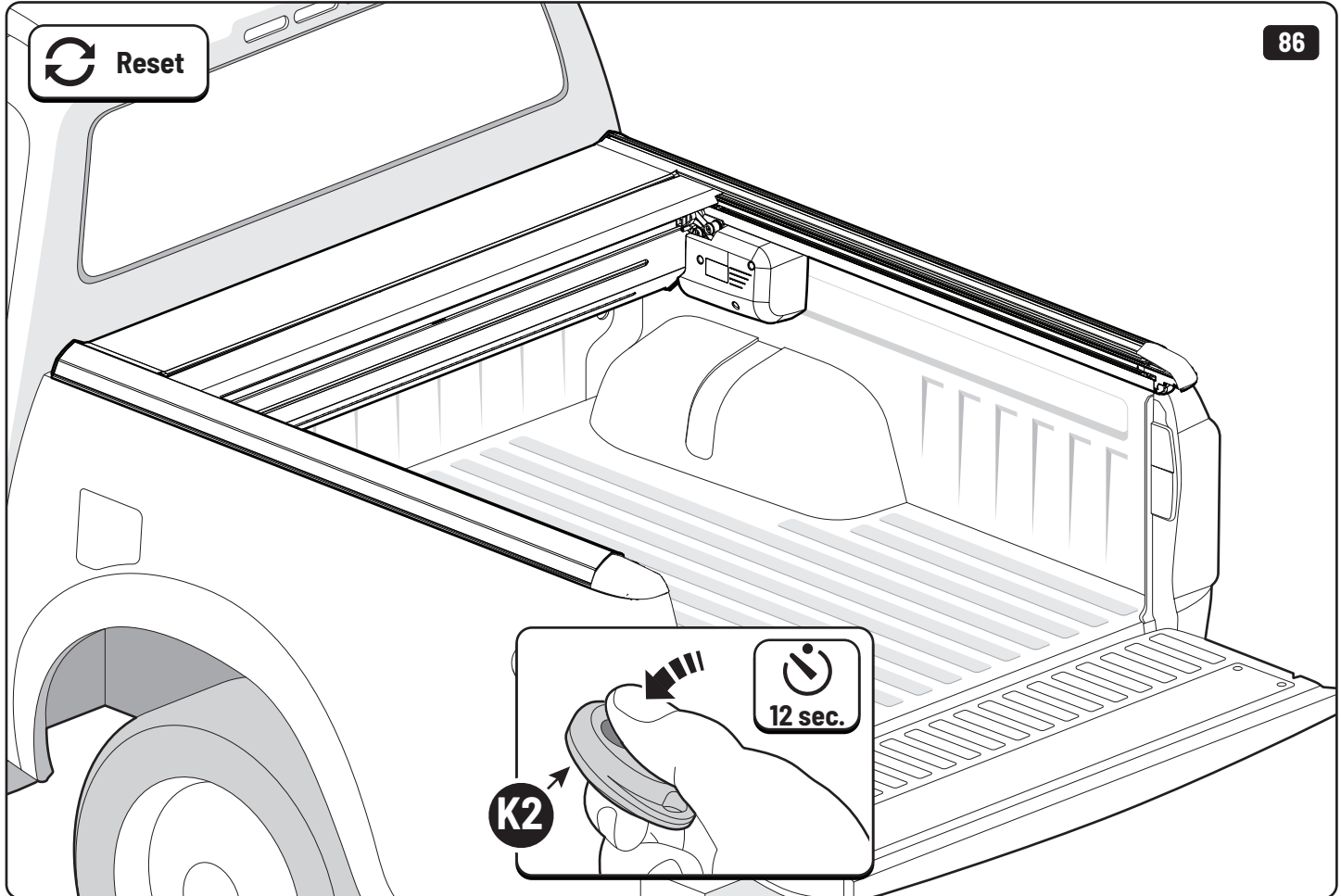
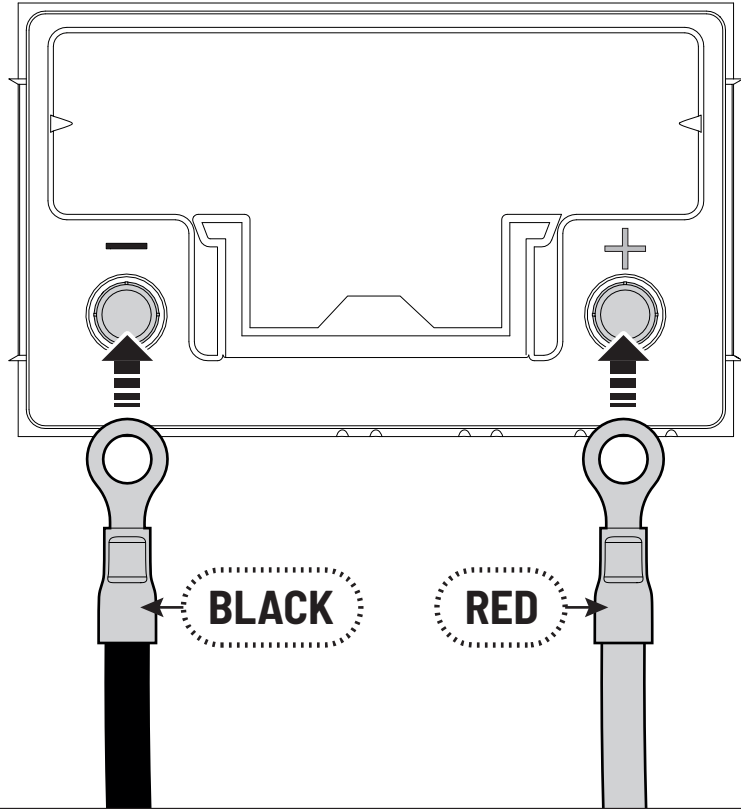


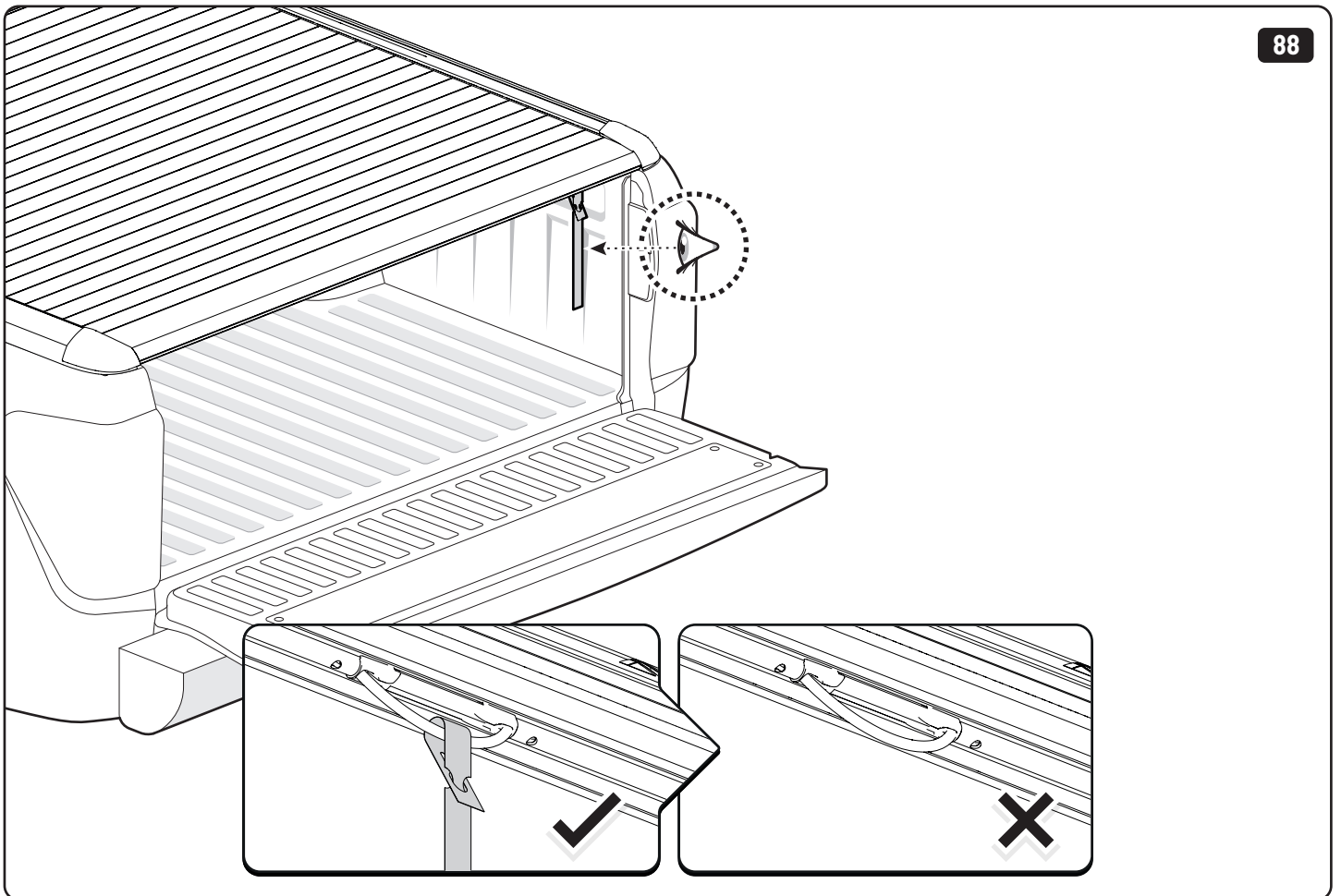
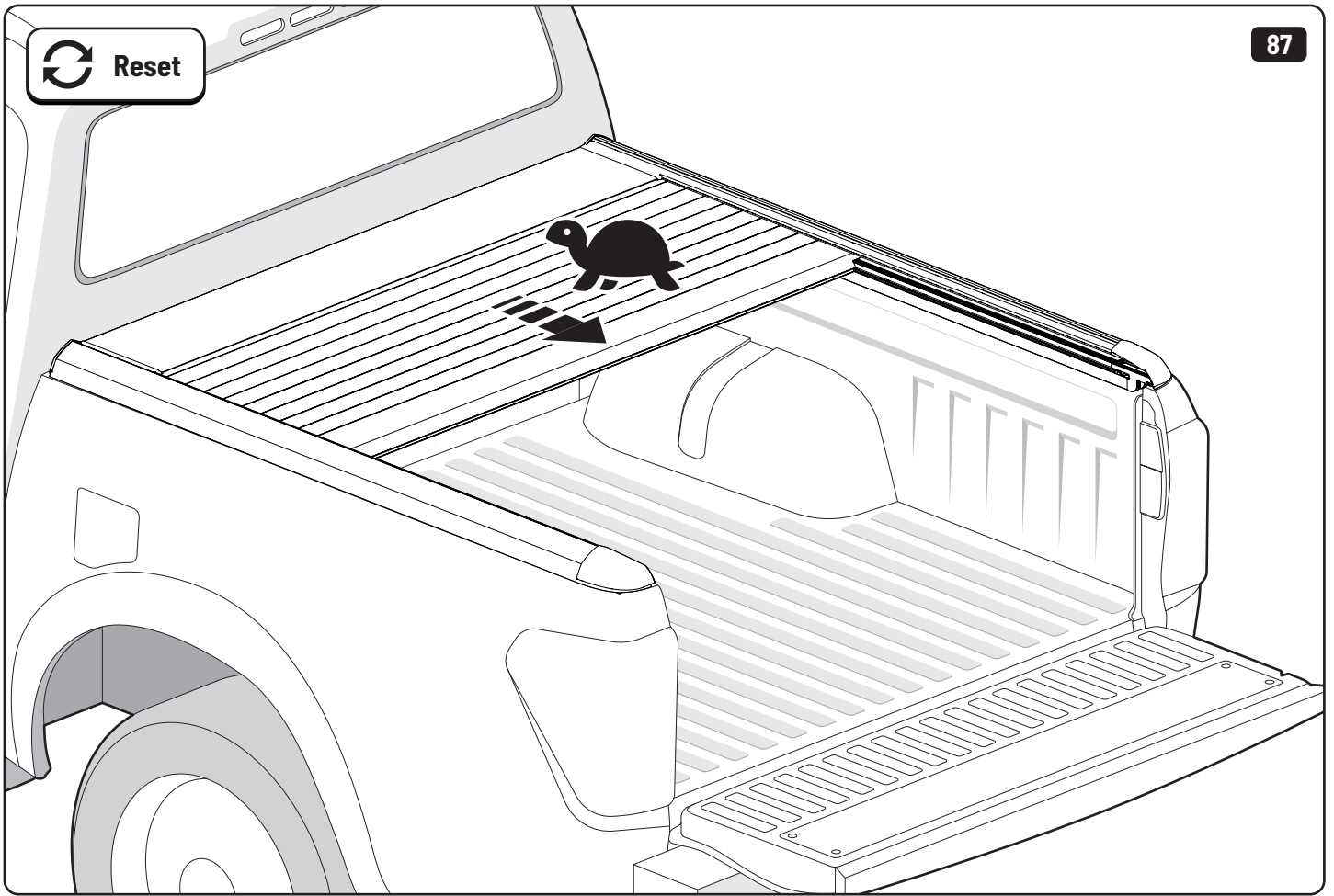














<b>Steps</b>	<b>Page</b>	<b>Done by</b>
Mounting rubber cross	10	
Mounting gliding rail in canister	16	
Holes for drain	25-29	
Width + Cross measurement	39+40	
Tightening the clamp screw	41	
Mounting drain	49	









Customer Service

+45 4810 2950 (08:00 - 16:00 CET)

Support

info@realtruck.dk

Website

www.realtruck.eu

Address

Pedersholmparken 10, 3600 Frederikssund, Denmark

Part number (s)	Model / Year	Cab type (s)	Installation time	Weight
ERC30IS10B0	Isuzu / 2020 ->	Double Cab	2 hour (s)	35 kg
ERC30F090B0	Ranger / 2011 ->	Double Cab	2 hour (s)	34 kg
ERC30MX20B0	Maxus / 2022 ->	Crew Cab	2 hour (s)	34 kg

**GB** Installation manual

**SF** Asennusohje

**F** Notice de montage

**PL** Instrukcja montażu

**NL** Installatie-instructies

**TR** Montaj Talimatı

**S** Monteringsanvisning

**E** Instrucciones de montaje

**H** Szerelési utasítás

**P** Instruções de instalação

**RUS** Инструкция по установке

**N** Monteringsveiledning

**D** Einbauanleitung

**CZ** Návod k instalaci

**I** Istruzioni di montaggio

**GR** Οδηγίες Εγκατάστασης

**DK** Monteringsvejledning

**RO** Instructiuni de instalare