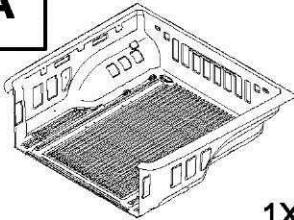
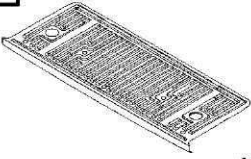
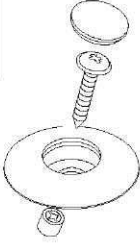
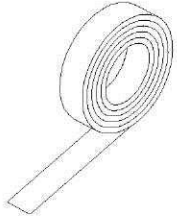
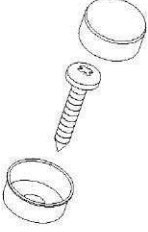
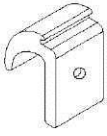
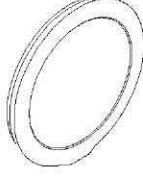


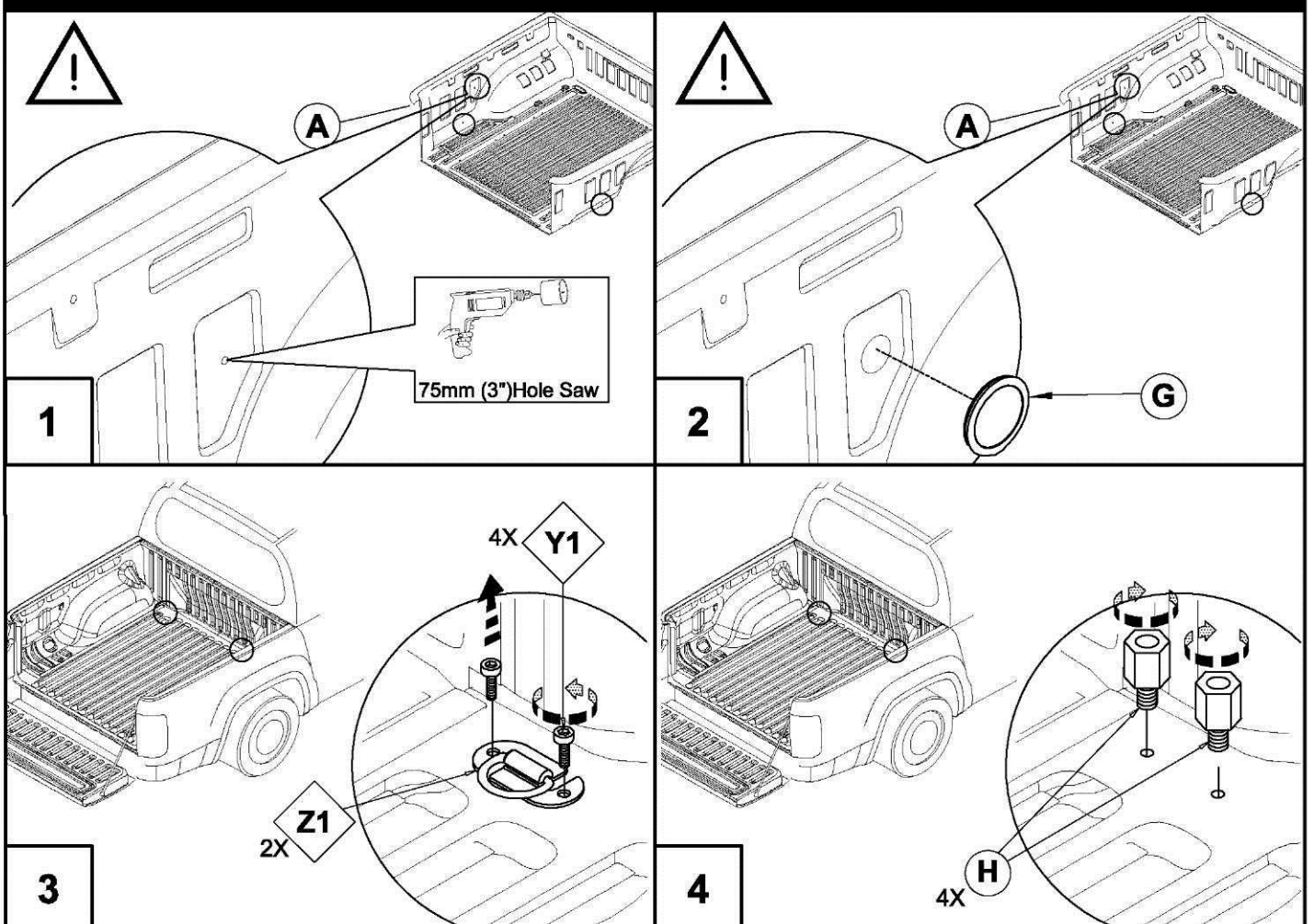




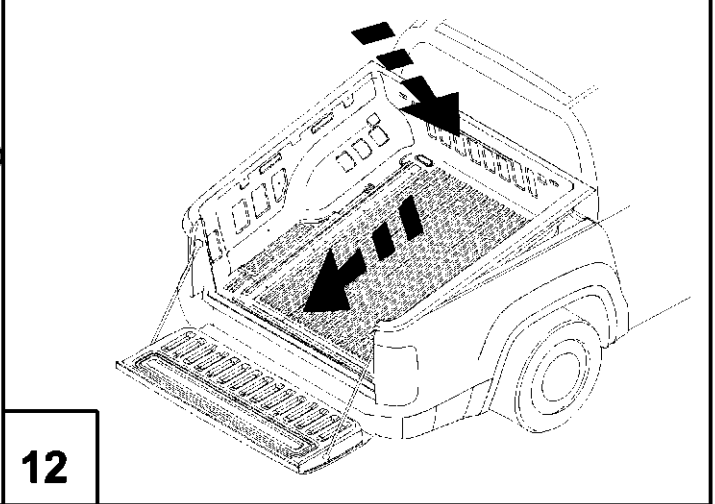
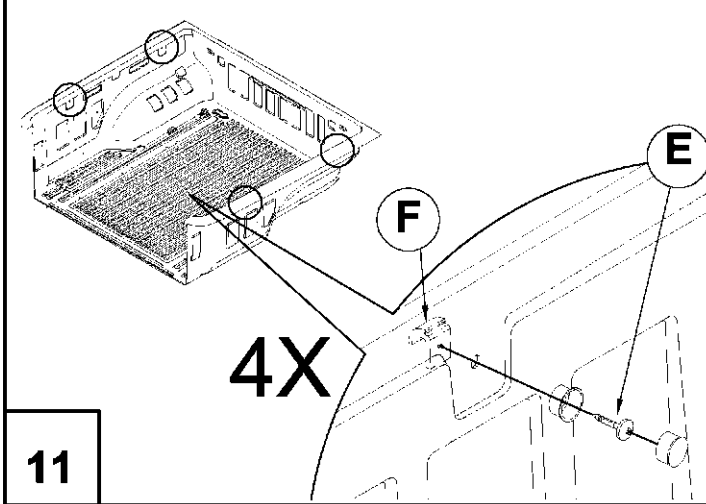
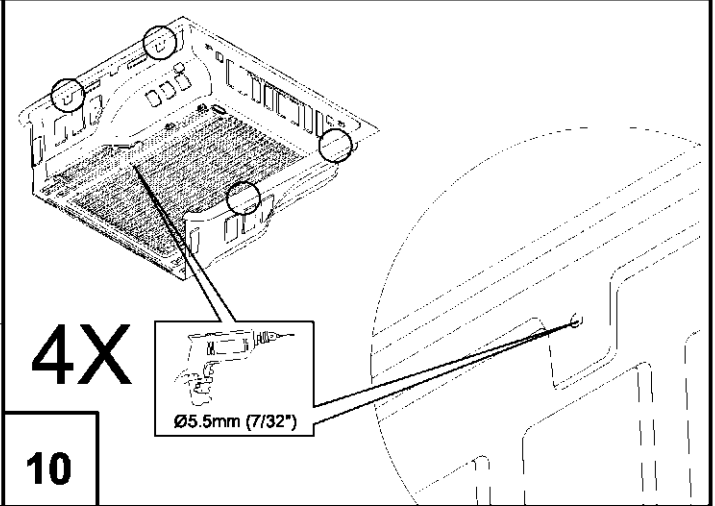
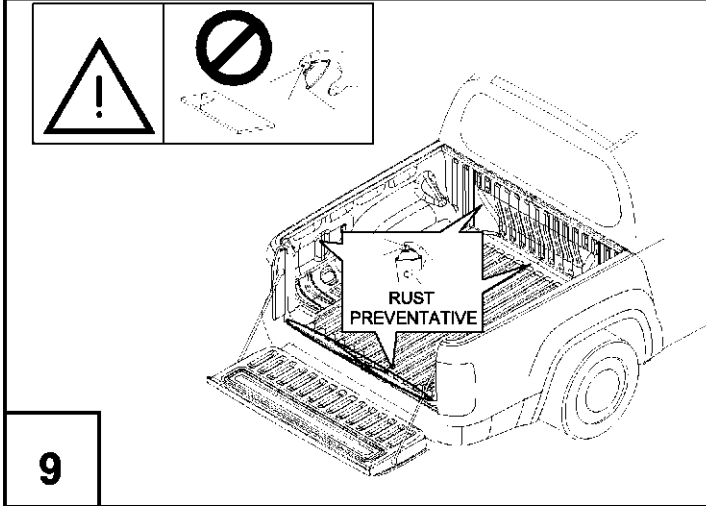
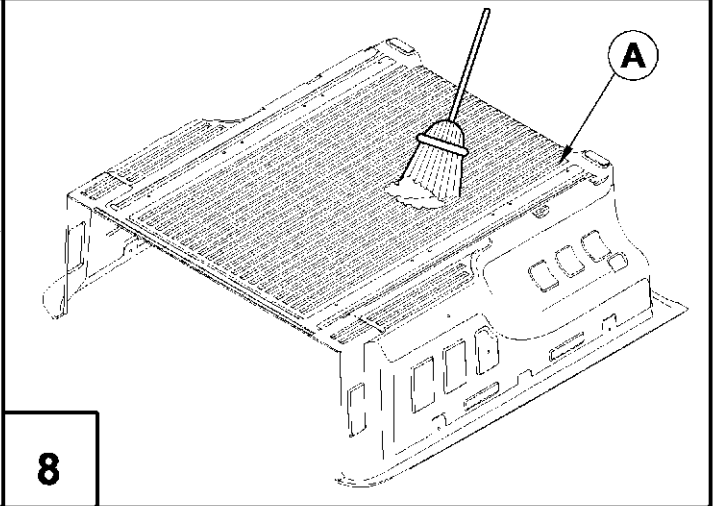
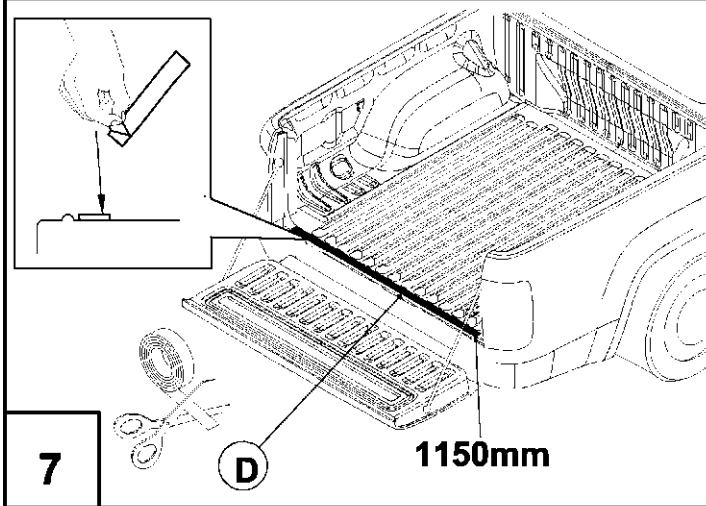
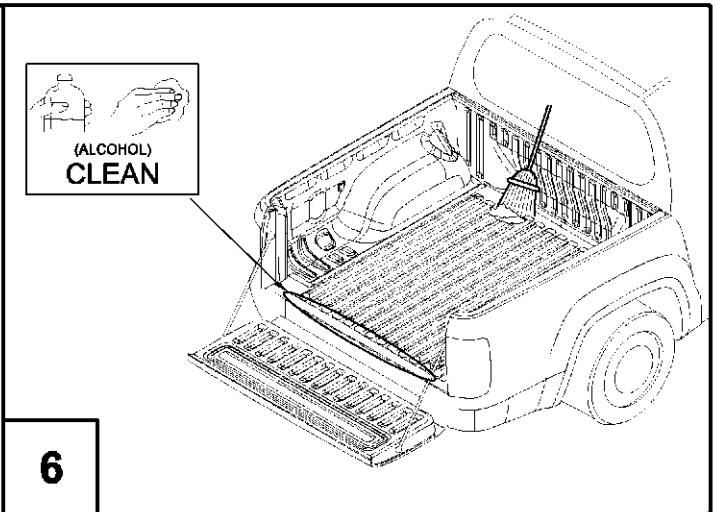
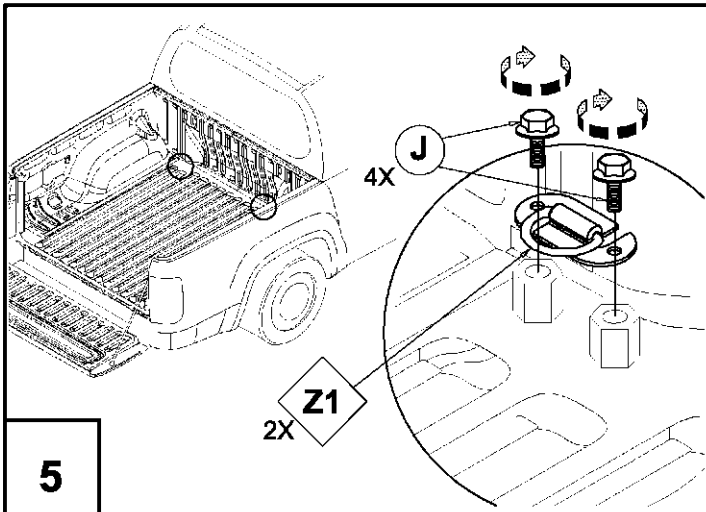
VOLKSWAGEN AMAROK DOUBLE CAB OVER RAIL FITTING KIT K520

<p>A</p>  <p>1X</p>	<p>B</p>  <p>1X</p>	<p>C</p>  <p>5X</p>	<p>D</p>  <p>1X</p>
<p>E</p>  <p>4X</p>	<p>F</p>  <p>4X</p>	<p>G</p>  <p>3X</p>	<p>H</p>  <p>4X</p>
<p>J</p>  <p>4X</p>	<p>◇ = EXISTING PART ○ = NEW PART</p>		

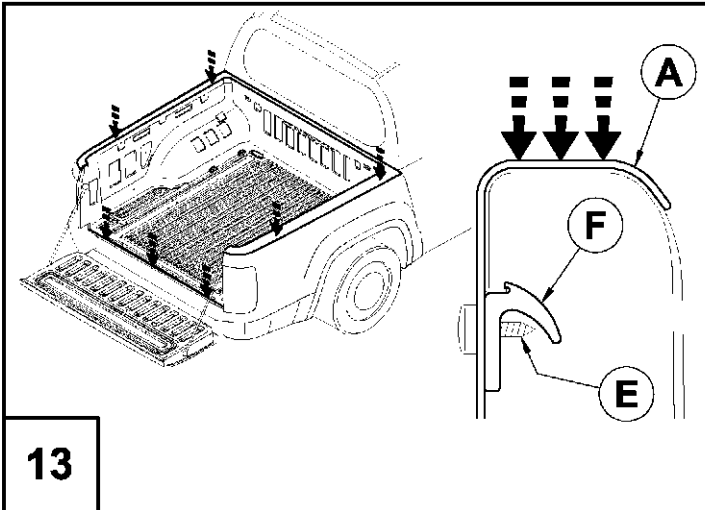
STEPS 1 AND 2 ARE OPTIONAL



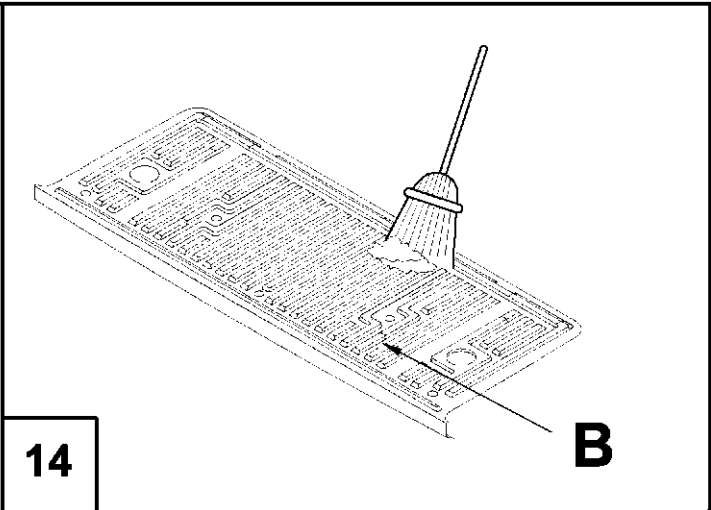
Fitting Kit Number	Manufacturer	Model Type	Year	Customer	Cab Size	UR or OR	Revision	Date	Page
IDFK520	Volkswagen	Amarok	2010	GENERAL USE	DC	Over Rail	3	20-09-10	1 of 3



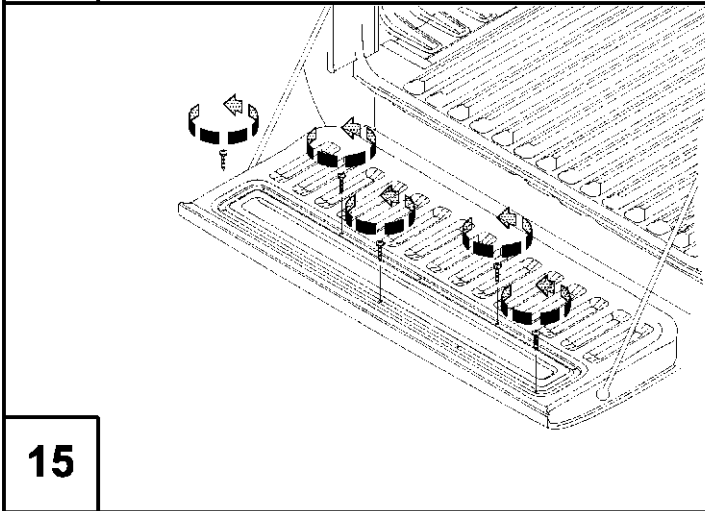
Fitting Kit Number	Manufacturer	Model Type	Year	Customer	Cab Size	UR or OR	Revision	Date	Page
IDFK520	Volkswagen	Amarok	2010	GENERAL USE	DC	Over Rail	3	20-09-10	2 of 3



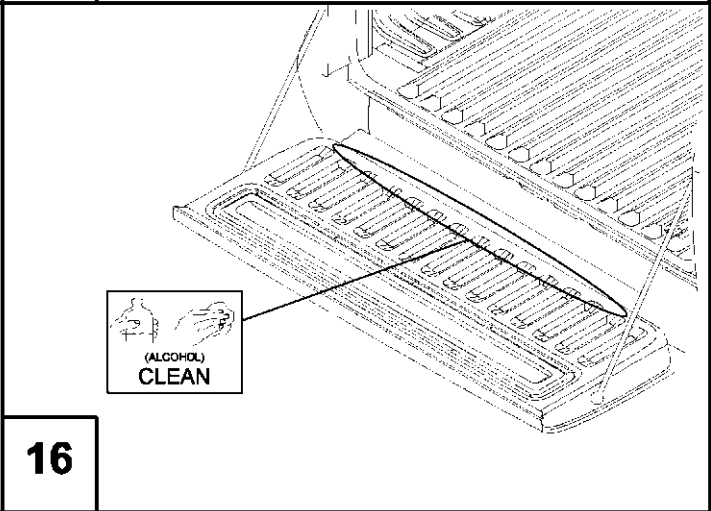
13



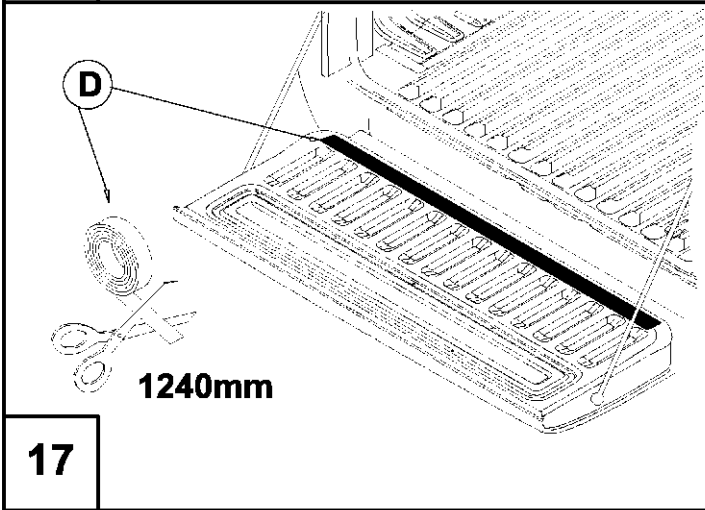
14



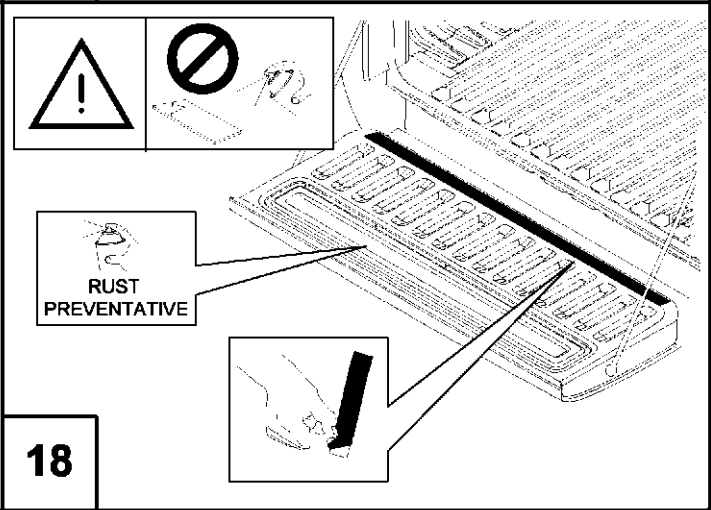
15



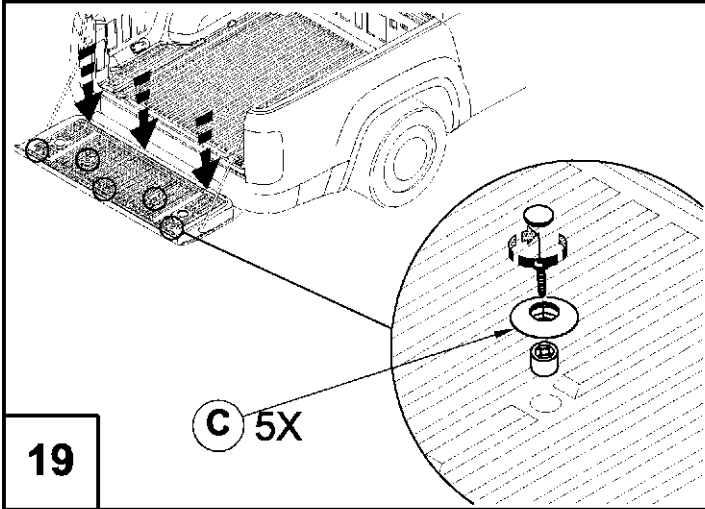
16



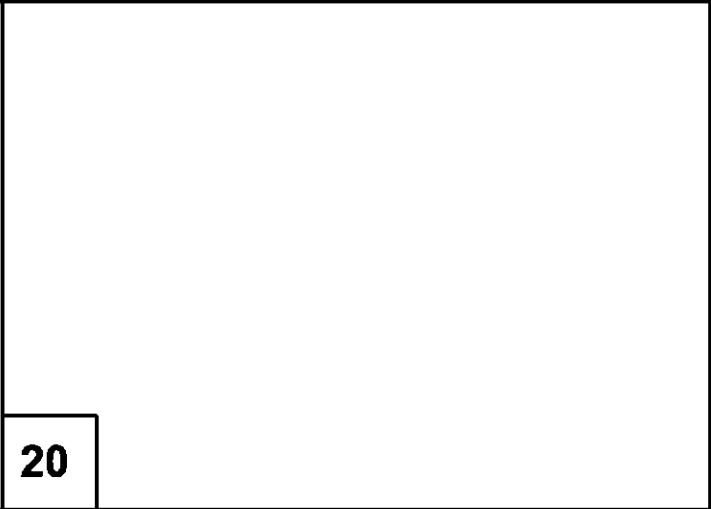
17



18



19



20