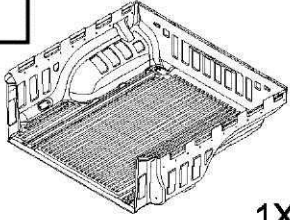
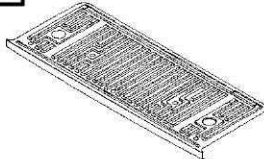
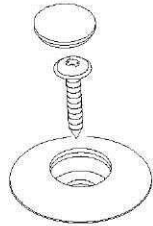
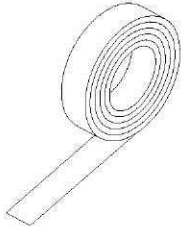
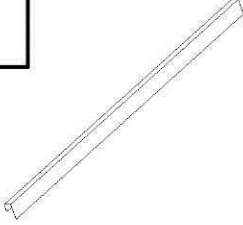
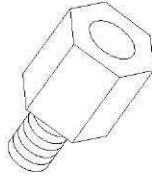


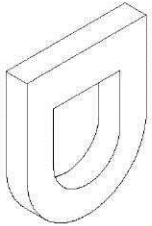
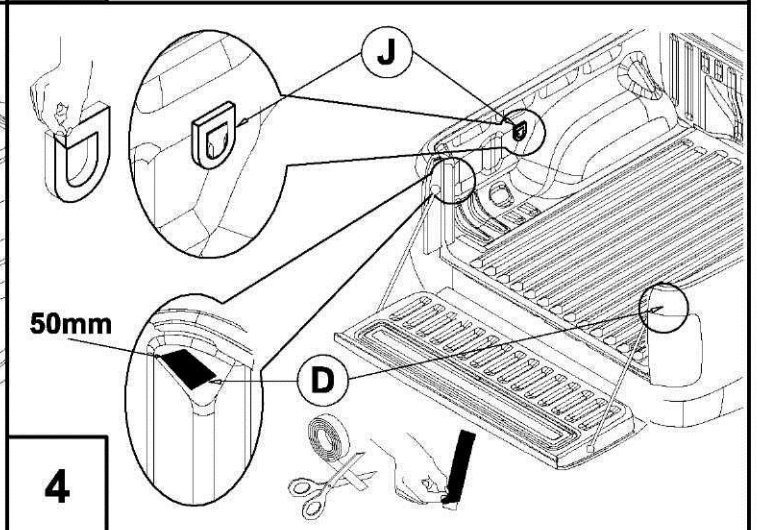
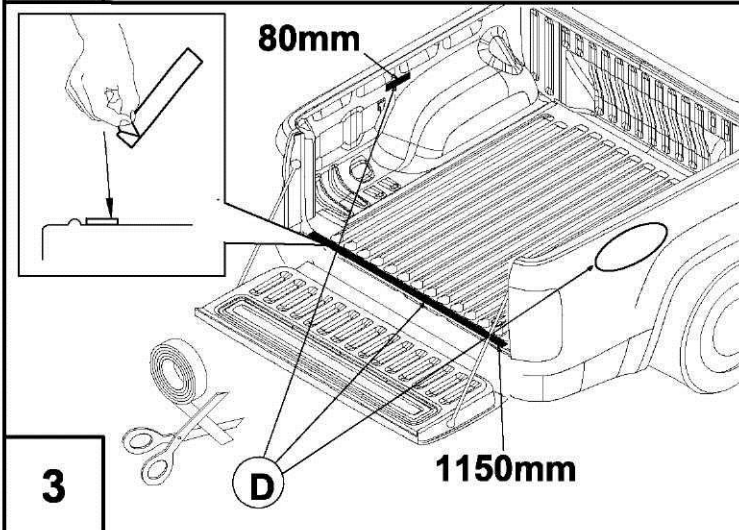
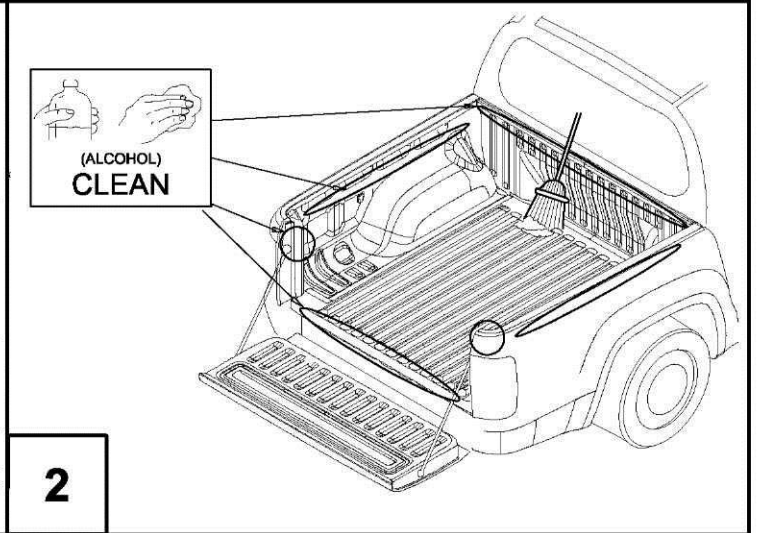
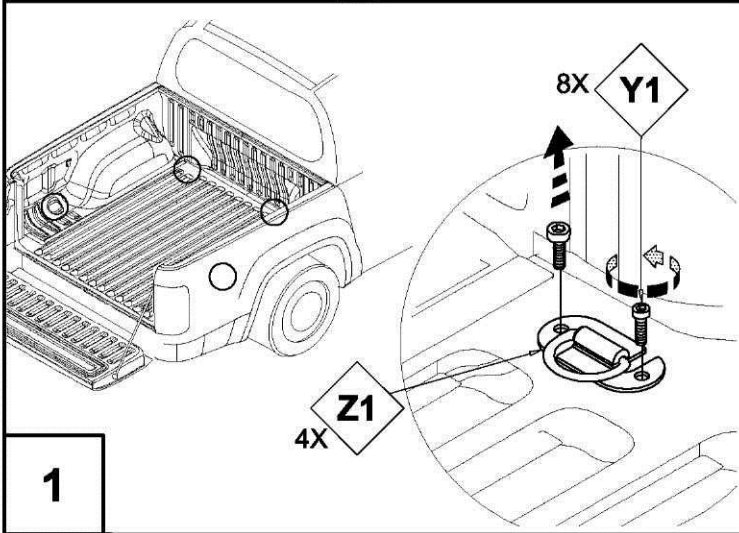
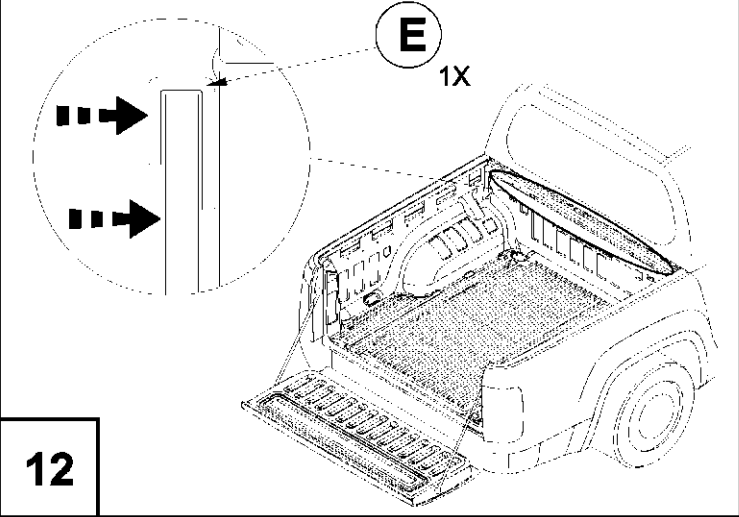
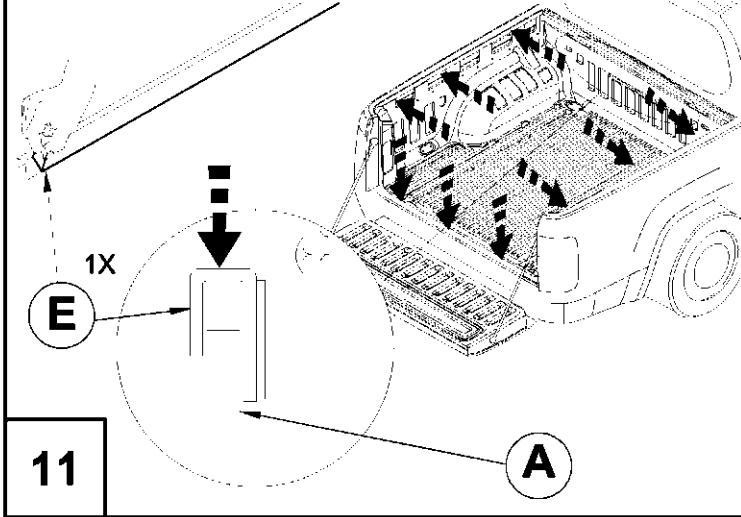
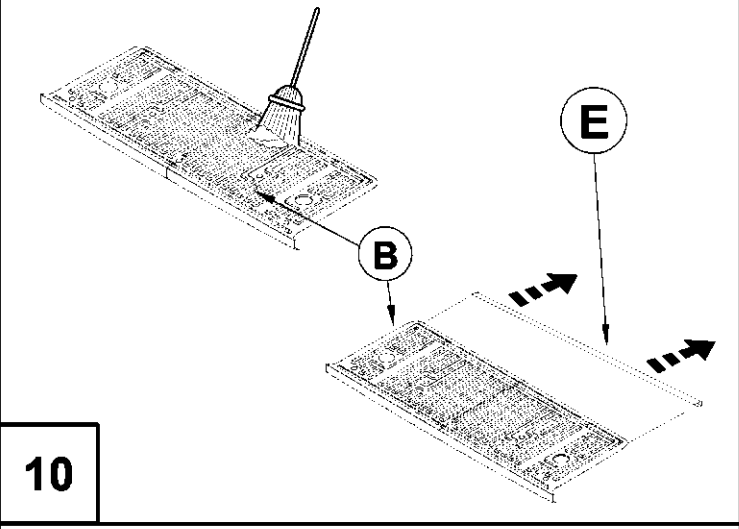
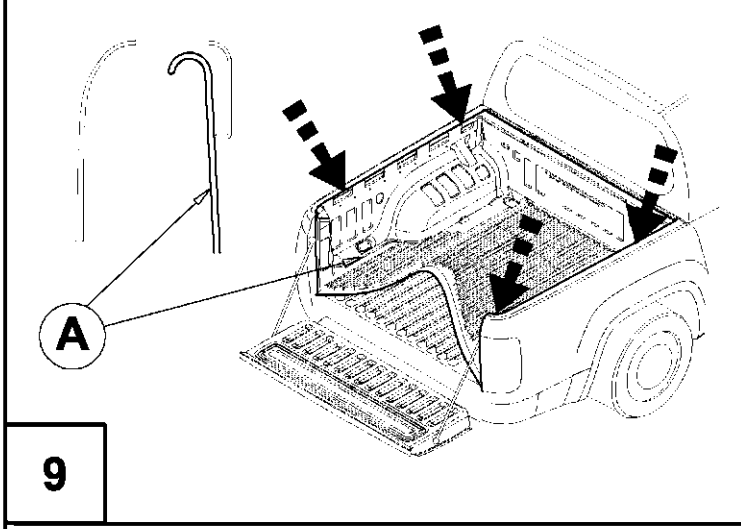
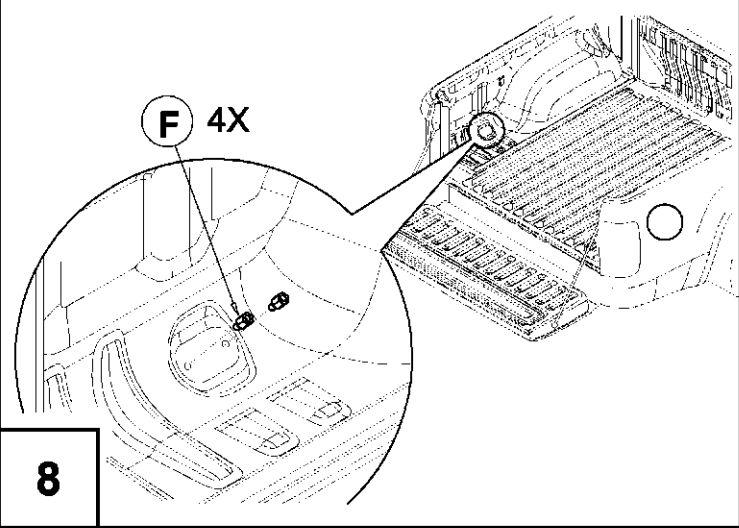
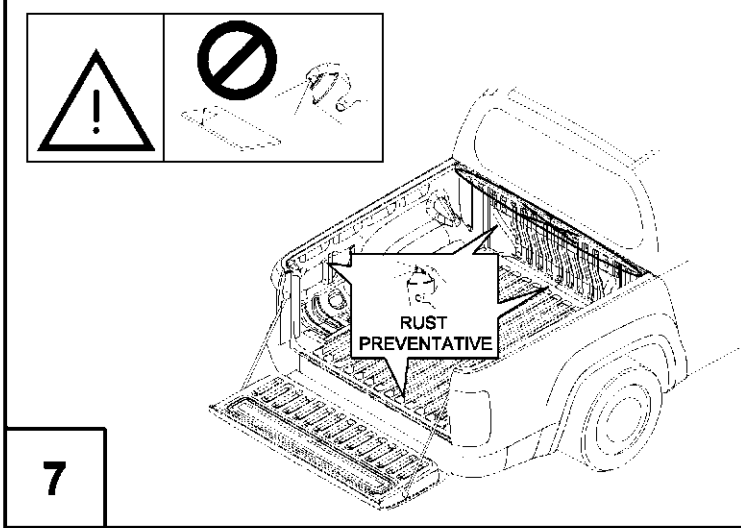
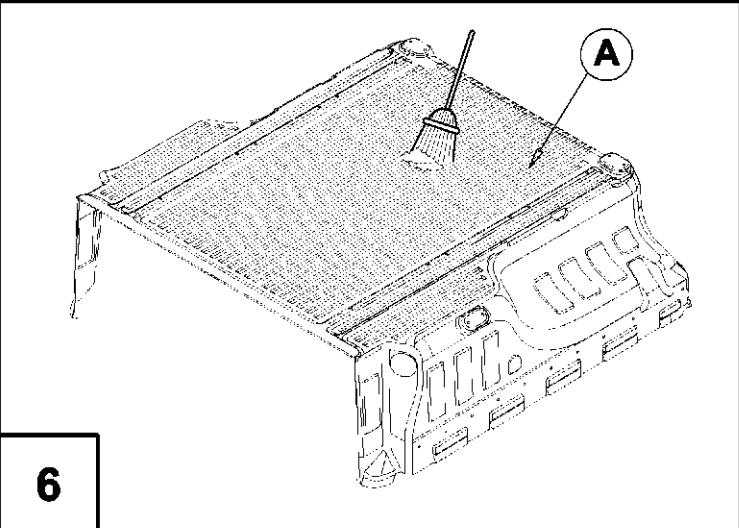
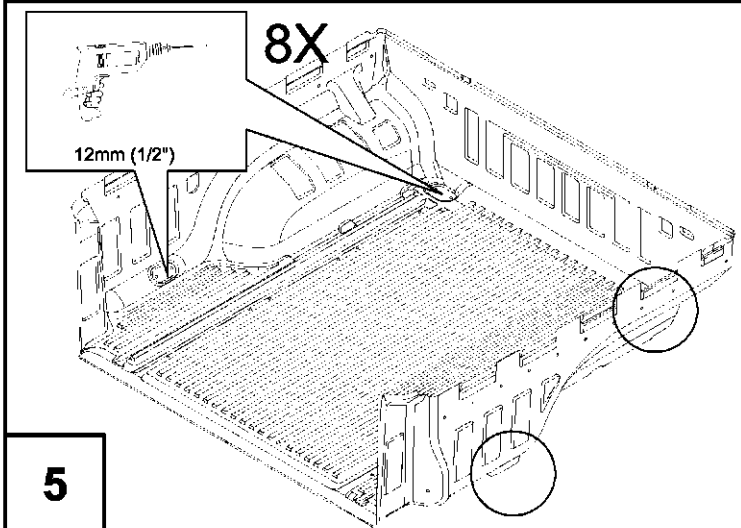




VOLKSWAGEN AMAROK DOUBLE CAB UNDER RAIL FITTING KIT (K506)

<p>A</p>  <p>1X</p>	<p>B</p>  <p>1X</p>	<p>C</p>  <p>7X</p>	<p>D</p>  <p>1X</p>
<p>E</p>  <p>1X</p>	<p>F</p>  <p>4X</p>	<p>G</p>  <p>4X</p>	<p>H</p>  <p>5X</p>
<p>J</p>  <p>1X</p>	<p>◇ = EXISTING PART</p> <p>○ = NEW PART</p>		





Fitting Kit Number	Manufacturer	Model Type	Year	Customer	Cab Size	UR or OR	Revision	Date	Page
IDFK506	Volkswagen	Amarok	2010	GENERAL USE	DC	Under Rail	2	19-07-10	2 of 3

