

PN: 850812 12V DC
850824 24V DC

Introduction

► Feature

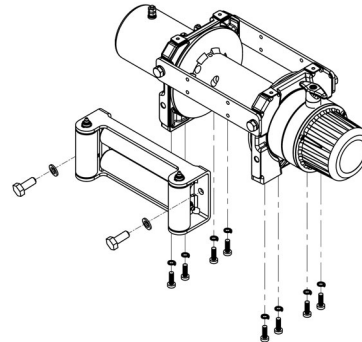
- Line pull: 3,630 kg / 8,000 lb single line (SAE J706 rating)
3,560 kg single line (EN 14492-1 rating)
- Brake: Automatic, full load cone brake
- Clutch: Turn the T-handle for rapid wire rope payout
- Control: Handheld pendant switch powers the winch
- Recommended wire rope: * 10 mm x 22.6 m, 1,960 N/mm² grade with a minimum breaking strength of 69.8 KN required for EN 14492-1 rating
* 3/8" x 100', EIPS grade with a minimum breaking strength of 15,663 lbf required for SAE J706 rating

Installation

Before using the winch, make sure all electrical components have no corrosion or damaged; the environment should be clear and dry.

► Mounting

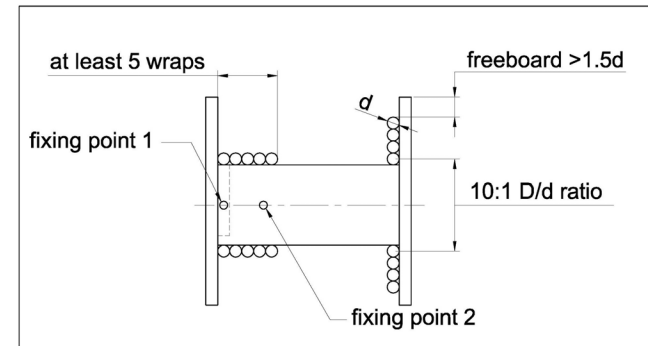
- Winch shall be mounted on a flat and hard surface.
- Winch should be mounted as closed to center and as horizontal as possible to the direction of the line pull.
- Wire rope shall be wound in an under-wound orientation only.
- Eight (8) M10 X 1.5 pitch 8.8 grade w/44 N-m torque setting (maximum) high tensile steel bolts must be used in order to sustain the loads imposed on the winch mounting.
- Two (2) M12 x 1.75 pitch 8.8 grade w/76 N-m torque setting (maximum) high tensile steel bolts must be used for fastening the roller fairlead into the mounting channel.
- It is always preferred to use both tie bars in the final installed configuration.



Compliance with EN 14492-1

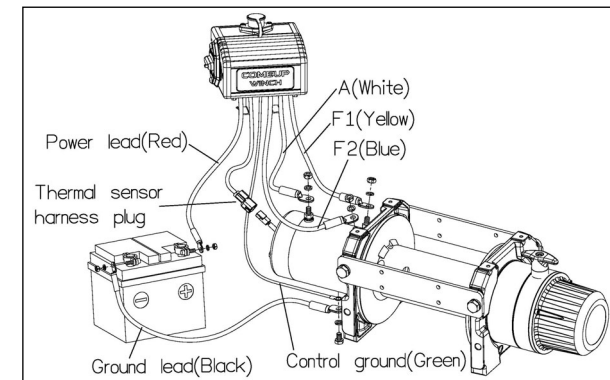
The winch complies with European Standard of EN-14492:2006 Power-Driven Winches, CE Machinery Directive 2006/42/EC and CE EMC Directive 2004/108/EC provided that the OWNER or END USER complies with all responsibilities described below.

- Refer to the Instruction Manual to install winch for safe winching operation.
- Fit the recommended wire rope to comply with EN ratings:
 - * Rope drives with steel wire rope shall be dimensioned
 - * At least 2:1 wire rope working coefficient for the first rope layer.
 - * At least 10:1 D/d ratio to the centre of the rope
 - * Drum freeboard shall be at least 1.5 x rope diameter.
- The wire rope must be painted red for 1.6 m on both ends and at least five (5) wraps of wire rope remained around the drum to comply with EN ratings;
 - * At least two rope windings on the drum.
 - * Rope attachment to withstand 2.5 x the remaining static force.
- Fit an emergency stop switch to comply with emergency stop function.
- Fit a hook with a safety latch to comply with a safety hook.



► Wiring Diagram

- Connect thermal sensor harness plug, control ground, and cable A/F1/F2 to the motor.
- Attach the ground lead firmly to the negative (-) battery terminal and power lead to the positive (+) battery terminal. The voltage drop for the winch motor must not exceed 10% of the nominal voltage of 12/24V DC.
- The over-load protector built in the control box shall be manually reset after reducing the load.



Warning

- The winch is not intended to be used in any manner for the movement or lifting of personnel.
- The rated line pull shown is based on the first layer of rope on the drum for the winch only, consult the wire rope manufacturer for wire rope rating.
- The rope winding on the drum shall remain 5 wraps from the drum.

Parts List

Item No.	Description	Part No.	Qty
1	Motor 12V	882272	1
	Motor 24V	882429	
2	Tie bar kit	881583	2
3	Motor support rack kit	881584	1
4	Motor coupling	880005	1
5	Drum bushing	880006	2
6	Drum kit	881585	1
7	Gearbox support rack	881586	1
8	Grounding lead	880009	1
9	1 st shaft	881523	1
10	3 rd ring gear kit	882424	1
11	3 rd stage carrier kit	881525	1
12	3 rd bushing	880014	1
13	2 nd stage carrier kit	881526	1
14	1 st stage carrier kit	881527	1
15	1 st & 2 nd ring gear	881528	1
16	1 st pinion kit	880018	1
17	Clutch kit	881303	1
18	Gear box kit	882425	1
19	Cone brake disc kit	880021	1
20	Brake cover kit	882426	1
21	Roller fairlead	882481	1
22	Mounting hardware	881588	1
23	Remote control	880126	1
24	Control box 12V	881581	1
	Control box 24V	881582	
24-1	Remote socket kit 12V	881373	1
	Remote socket kit 24V	881374	
24-2	Control pack 12V	881591	1
	Control pack 24V	881592	
25	Brake clutch base	881100	1

Winch Assembly

